



WATCH VIDEOS
INSIDE WITH
layar

New Easy Features inside

2016

CLEVER APPLIANCES? EASY.

Let's make it simple

Different sizes, features, programmes... selecting the appliances that are right for you and your kitchen doesn't need to be hard. That's why we've created this easy guide. Just choose whatever you need to take care of your daily chores - reliably and in style naturally - so you can get on with the things you enjoy.

EASY

COOLING

17

Freestanding cooling	24
Built-in cooling	48
How they compare	58

COOLING

COOKING

69

Freestanding cookers	74
Range style cookers	86
Built-in ovens	92
Built-in compacts and microwaves	108
How they compare	112
Hobs	130
How they compare	146
Hoods	158
How they compare	164

COOKING

CLEANING

169

Freestanding cleaning	174
Built-in cleaning	178
How they compare	182

CLEANING

LAUNDRY

187

Freestanding laundry	192
How they compare	200
Built-in laundry	206
How they compare	208

LAUNDRY



EASY LIVING

Greater freedom? Easy.

Everyday chores? No hassle. More time for living? All yours. Zanussi appliances give you an extra pair of hands around the home, so you can enjoy doing the things you really love. Simple to use and easy to maintain, our appliances do the hard work for you. Day in. Day out. All wrapped up in exquisite design, as you'd expect from our Italian heritage.

MAKING LIFE EASY FOR A ZANUSSI CENTURY



1916-2016

It all started with handmade stoves and wood-burning ovens in Pordenone, north-east Italy in 1916. To this day, Zanussi continues to dream up new home appliances

that free time up to be enjoyed with friends and family. And behind everything we do, you'll find clever Italian design.



1916

The Zanussi company begins, started by Antonio Zanussi.



1920

The AZP, the first standard wood-burning stove with a cast iron hotplate.



1951

The first gas cooker.



1959

The first "Supermarket" fridge with automatic defrosting and two compartments with separate temperature controls.

1ST

1965

Zanussi's first ever dishwasher.



1990

OZ and Zoe breaking the traditional four-square white box design for refrigerators and washing machines... surprising lines and internal layouts.



2012

Launch of the award-winning Quadro Built-In range.



2013

Launch of new freestanding cooling and cooking range.



2014

Launch of new freestanding laundry range.

100

2016

Celebrating 100 years of innovation.

100 YEARS OF CLEVER IDEAS



Clever ideas

We've always gone the extra mile to come up with clever ways to make our every day lives simpler and easier, like the XXL capacity washing machine or the self cleaning oven.

We've been sharing this view on life through the products

we've made but also through the way we talk, look and act. We are now celebrating our 100th year as a company and during this year we would like to look at how far we've come. It is in 2016 we will celebrate EASY and 100 years of cleverness.

Watch the videos at
zanussi.co.uk

FROM ELBOW GREASE TO ASH



In 1916 Zanussi released our first wood stove, it made baking a lot easier at the time. 100 years later and now once you've finished cooking, the oven cleans itself, with the simple touch of a button. EASY.

Learn more about our Pyrolytic self-cleaning ovens on page 89.

FROM SAWDUST & ICE TO TWINTECH® TECHNOLOGY



Using a block of ice and sawdust was a clever way to keep food cold 100 years ago. Today our fridge with clever TwinTech® Technology keeps your food fresher and crispier for longer. EASY.

Learn more about our Twintech® fridge freezers on page 23.

FROM HOURS TO SECONDS



The first wood stove released in 1916 made cooking easier and quicker. Today, 100 years later, our induction hobs get you cooking straight away. EASY.

Learn more about our Induction hobs on page 124.

FROM A WHOLE DAY'S WORK TO THE PUSH OF A BUTTON



A 100 years ago, doing the laundry was both time and space consuming. Today, just push one button and... done! So you can spend time with friends and family instead of your laundry! EASY.

Learn more about our laundry range on page 190.

NEW FREESTANDING DESIGN



EASY USE

Sleek and modern, we've created an expressive design that sees life from your perspective. Graphics are clearer, our controls intuitive – our products are featured with LED controls, and new amber displays.

New expressive graphics on the drawers give a fresh new look to the interior.



EASY FIT

Our new appliances fit seamlessly into the heart of the home with a modern yet beautifully simple design. Our new cookers make a particularly stylish feature with a bigger viewing window and an elegant dot pattern on the glass door.



EASY ERGONOMICS

Smooth and ergonomic curved angles feature across the range. This design signature element we call the positive smile. Look out for it in the handles, doors and even the fridge drawers.

Look out for our new signature curve, the positive smile. A modern touch to our appliances.



NEW BUILT-IN DESIGN

Introducing our new Quadro® range. We've done the homework so you can spend less time on the housework.



EASY USE

The new Zanussi Quadro® sees life from your perspective, from clearer graphics on screen to controls that are easy to use.



EASY CHOICES

One button and your oven cleans itself, your hob heats up faster, your dishwasher selects the ideal cycle... You'll also find fridge-freezers with family-sized storage.



EASY DESIGN

Sleek and modern, the new Zanussi Quadro® has the looks to match, blending into any kitchen design.

Winner of the prestigious iF and Reddott design awards.



SEE IT IN ACTION

The simplest way to know which features better fit your needs, is to see what they can do. Throughout this catalogue we have used interactive print to demonstrate our products' different benefits. Simply follow the steps opposite and scan these images with your smartphone or tablet to see more.



With the free Layar app, you can see videos and links to more info about our easy features.

Look out for this symbol throughout the catalogue.

SCAN WITH
layar

1



DOWNLOAD FREE
LAYAR APP

2



SCAN PAGES WITH
LAYAR LOGO

3



DISCOVER MORE



EASY COOLING

We've designed the new Zanussi cooling range to be even more helpful. Storing food is easier. Cooling down your shopping is faster. We've been extra thoughtful in how our freestanding cooling appliances look, too.



EASY TIPS

Stick your fresh herbs in a glass of water and put them in your fridge, this will make them last longer.

  Follow the #EasyTeam [easy-tips.tumblr.com](https://www.tumblr.com/easy-tips)



DOWNLOAD FREE
LAYAR APP



SCAN PAGES WITH
LAYAR LOGO



DISCOVER MORE

Freestanding cooling	24
Built-in cooling	48
How they compare	58

A GUIDE TO OUR COOLING ICONS

What do the Zanussi cooling appliances do and why? Here's your quick guide to our handy functions, safety features and energy ratings.

WHAT TO LOOK OUT FOR...

-  **Fast.** Clever Zanussi features to get things done quicker.
-  **Handy.** The things you couldn't live without.
-  **Simple.** The touches that make Zanussi so easy to use.
-  **Smart.** Practical solutions from great Zanussi thinking.



FAST



Quick Freeze

For fresher, safer food storage switch on the Fast Freeze function before you go to the supermarket, it lowers the freezer temperature, protects the contents and quickly freezes food. The freezer will automatically return to the preset temperature.



Quick Chill

For fresher, safer food storage switch on the Quick Chill function before you go to the supermarket, it lowers the fridge temperature to quickly and safely cool your fresh food.



Width

Width of appliance.



Height

Height of the appliance.



Capacity

Litre capacity of the appliance.



HANDY



Low Frost

Our Low Frost technology means that it is easier and quicker to defrost, and you may only have to defrost every 2 years.



LED

Have clear visibility of your fridge contents with the ultra energy efficient and bright LED lighting.



Frost Free

Save time and make all those defrosting chores a thing of the past with a frost free freezer that defrosts itself.



SIMPLE



Electronic Controls

Many of our models offer precise temperature control and functions such as Quick Freeze or Quick Chill function through simple internal or external electronic controls.



AirFlow+ Fan

Say goodbye to hotspots as the internal Airflow+ fridge fan ensures even temperatures throughout the fridge.



SMART



Energy

All Zanussi models are either A+ or A++ energy rated, making them cheaper to run and kinder to the environment.



TwinTech™ Frost Free

TwinTech™ Frost Free technology ensures that food stays cold and doesn't dry out, resulting in it staying fresher for longer.



4 Star Freezing

All of Zanussi's static and frost free freezers have a 4 star rating. This enables you to store and freeze food for up to 12 months.



Space+

Standard dimensions outside, but extra space inside. With Space+ you can store more food, so you can shop less and save time.

FREESTANDING COOLING MADE EASY



QUICK FREEZE

Planning on restocking the freezer? Just press Quick Freeze to lower the temperature and use the Quick Freeze drawer to freeze food rapidly.

CHILLER DRAWER

An extra fresh compartment keeps meat and fish fresh for twice as long at an even, cooler temperature.



SPACE+ DRAWERS

Deeper drawers give more room for the whole week's vegetables. So the aubergines won't crowd out the Little Gems. Deeper freezer drawers mean more storage space too.



QUICK CHILL

Press Quick Chill and the temperature drops to 2°C, ideal to cool it all rapidly without warming what's already in there. LEDs on the door tell you all you need to know at a glance, and make it easy to adjust temperature.

AIRFLOW+ FAN

At the touch of a button cold air flows to every level, for faster, more even chilling. So you can place your food anywhere in the fridge.

DUAL SHELF

The dual use shelf accommodates different items on the flat half whilst also allowing for storage of two wine bottles or two 2ltr soft drink bottles - whilst maintaining the space below.



FROST FREE

You'll never have to do this chore again with one of our frost-free models, which prevents ice build up.

EASY STORE BOXES

Handy containers are just right for anything you want to keep separate – garlic and herbs perhaps, or delicate soft fruit or veg. They hook conveniently on the back of a drawer. And there's even a handy space for a note or a use-by date.





Clever features
Store 2 ltr bottles while maintaining the space below.

Design
Oversize graphics give a fresh and expressive look.

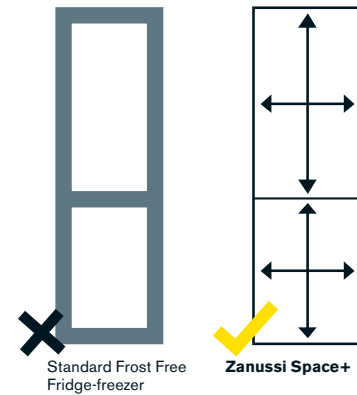
CLEVER INSIDE AND OUT? EASY

With our Space+ and Space+ Extra ranges, there's more room and more freshness designed in.

COOLING

SPACE+

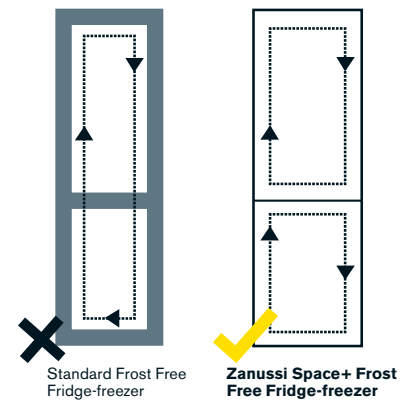
Store more, shop less. Our Space+ fridges, freezers and fridge-freezers are bigger inside with the same dimensions outside, so a whole weekly shop isn't a squeeze. In fact, the ingredients needed for 2 weeks worth of evening meals can be stored in the fridge section of our Space+ fridge-freezers.



UP TO
40ltr
MORE SPACE

FRESHER FOR LONGER

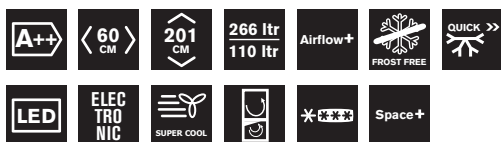
Our Space+ frost free models also offer TwinTech™ technology. Separate cooling systems for fridge and freezer provide the ideal humidity in each compartment, so food doesn't dry out, and odours don't cross over – locking in food's natural freshness. So food stays fresher for longer!



**LONGER
FRESHNESS**

FREESTANDING COOLING: FROST FREE FRIDGE-FREEZERS

ZRB38426WA / XA



Save yourself a chore with this frost free model - the freezer defrosts itself!

Fresh food stays fresher for longer due to the TwinTech™ Frost Free technology by ensuring that food stays cold and doesn't dry out.

Easy to use electronic controls with Quick Chill and Quick Freeze functions ensure that you can set the fridge-freezer to your desired temperature.

Specifications

- Quick Chill and Quick Freeze functions with auto switch off
- Extra fresh compartment keeps meat and fish fresh for twice as long at an even cooler temperature
- Find food easily with the ultra bright and energy efficient LED lighting
- Store both bottles and food items on the full width Dual Shelf
- 3 glass shelves, of which 2 are height adjustable
- 3 full height freezer drawers
- Egg trays incorporated into door shelving
- Save money with this energy efficient A++ rated model
- Reversible door hinging

Colour options

ZRB38426WA - White
ZRB38426XA - Stainless steel



ZRB35426WA / XA



Save yourself a chore with this frost free model - the freezer defrosts itself!

Fresh food stays fresher for longer due to the TwinTech™ Frost Free technology by ensuring that food stays cold and doesn't dry out.

Easy to use electronic controls with Quick Chill and Quick Freeze functions ensure that you can set the fridge-freezer to your desired temperature.

Specifications

- Quick Chill and Quick Freeze functions with auto switch off
- Extra fresh compartment keeps meat and fish fresh for twice as long at an even cooler temperature
- Find food easily with the ultra bright and energy efficient LED lighting
- Store both bottles and food items on the full width Dual Shelf
- 3 glass shelves, of which 2 are height adjustable
- 3 full height freezer drawers
- Egg trays incorporated into door shelving
- Save money with this energy efficient A++ rated model
- Reversible door hinging

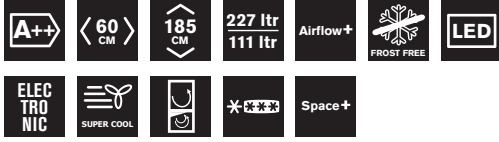
Colour options:

ZRB35426WA - White
ZRB35426XA - Stainless steel



FREESTANDING COOLING: FROST FREE FRIDGE-FREEZERS

ZRB34426WA / XA



Save yourself a chore with this frost free model - the freezer defrosts itself!

Fresh food stays fresher for longer due to the TwinTech™ Frost Free technology by ensuring that food stays cold and doesn't dry out.

Easy to use electronic controls with Quick Chill and Quick Freeze functions ensure that you can set the fridge-freezer to your desired temperature.

Specifications

- Quick Chill and Quick Freeze functions with auto switch off
- Extra fresh compartment keeps meat and fish fresh for twice as long at an even cooler temperature
- Find food easily with the ultra bright and energy efficient LED lighting
- Store both bottles and food items on the full width Dual Shelf
- 3 glass shelves, of which 2 are height adjustable
- 3 full height freezer drawers
- Egg trays incorporated into door shelving
- Save money with this energy efficient A++ rated model
- Reversible door hinging

Colour options:

ZRB34426WA - White
ZRB34426XA - Stainless steel



FREESTANDING COOLING: FRIDGE-FREEZERS

ZRB24100WA / XA



At only 55cm wide, this fridge-freezer is suited for smaller kitchens.

Save money with this energy efficient A+ rated model.

Specifications

- 4 glass shelves, of which 3 are height adjustable
- 3 full width door shelves
- Adjustable temperature control
- Removable egg tray
- 3 transparent freezer drawers
- Reversible door hinging

Colour options

ZRB24100WA - White
ZRB24100XA - Stainless steel



FREESTANDING COOLING: FRIDGE-FREEZERS

ZRT27102WA



This fridge-freezer is perfect for those that only need a small freezer but want large fresh food storage space.

Store more, shop less: Space+ gives you extra space inside but standard dimensions outside.

The EasyStore™ box allows you to store and protect delicate foods such as herbs and nuts.



Specifications

- Save money with this energy efficient A+ rated model
- Auto fridge defrost
- The Space+ salad drawer allows you to store even the largest vegetable items
- 1 full width wire freezer shelf
- 3 height adjustable glass shelves
- 4 full width door shelves
- Removable egg tray
- Reversible door hinging

Colour options:

ZRT27102WA - White



ZRT23103WA



Store more, shop less: Space+ gives you extra space inside but standard dimensions outside.

The EasyStore™ box allows you to store and protect delicate foods such as herbs and nuts.

Specifications

- Save money with this energy efficient A+ rated model
- Auto fridge defrost
- The Space+ salad drawer allows you to store even the largest vegetable items
- 1 full width wire freezer shelf
- 3 height adjustable glass shelves
- 3 full width door shelves
- Removable egg tray
- Reversible door hinging

Colour options:

ZRT23103WA - White



ZRT18101WA



At just 50cm wide and 121cm tall, this model is perfect for the smallest of kitchens.

Store more, shop less: Space+ gives you extra space inside but standard dimensions outside.

The EasyStore™ box allows you to store and protect delicate foods such as herbs and nuts.

Specifications

- Save money with this energy efficient A+ rated model
- Auto fridge defrost
- The Space+ salad drawer allows you to store even the largest vegetable items
- 1 full width wire freezer shelf
- 2 height adjustable glass shelves
- 3 full width door shelves
- Removable egg tray
- Reversible door hinging

Colour options:

ZRT18101WA - White

FREESTANDING COOLING: CABINET FRIDGES AND FREEZERS

ZRA40113WA



Space for everything: this large capacity fridge provides plenty of storage space for the weekly shop.

The EasyStore™ box allows you to store and protect delicate foods such as herbs and nuts.

Specifications

- The Space+ salad drawer allows you to store even the largest vegetable items
- Save money with this energy efficient A+ rated model
- Find food easily with the ultra bright and energy efficient LED lighting
- Auto fridge defrost
- 5 height adjustable glass shelves
- 5 full width door shelves
- 400 litre gross fridge capacity
- Removable egg tray
- Reversible door hinging

Colour options:

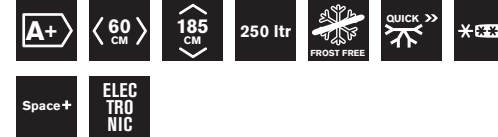
ZRA40113WA - White

Matching freezer:

ZFU25113WA



ZFU25113WA



Save yourself a chore with this frost free freezer - it defrosts itself automatically!

Store all of your large and bulky items in one of the 3 extra large freezer drawers.

Freeze fresh food safely and efficiently with the Quick Freeze function.

Specifications

- 7 freezer compartments, including 3 maxi drawers and 2 compartments with drop down doors
- Quick Freeze function with auto switch off
- High temperature indicator
- Save money with this energy efficient A+ rated model
- 250 litre gross freezer capacity
- External controls
- Freezing capacity: 20kg/24hrs
- Reversible door hinging

Colour options:

ZFU25113WA - White

Matching fridge:

ZRA40113WA



COOLING

FREESTANDING COOLING: CABINET FRIDGES AND FREEZERS

ZRA33103WA



Space for everything: this large capacity fridge provides plenty of storage space for the weekly shop.

The EasyStore™ box allows you to store and protect delicate foods such as herbs and nuts.

Specifications

- The Space+ salad drawer allows you to store even the largest vegetable items
- Save money with this energy efficient A+ rated model
- Find food easily with the ultra bright and energy efficient LED lighting
- Auto fridge defrost
- 4 height adjustable glass shelves
- 4 full width door shelves
- 317 litre gross fridge capacity
- Removable egg tray
- Reversible door hinging



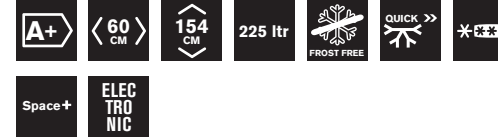
Colour options:

ZRA33103WA - White

Matching freezer:

ZFU20223WA

ZFU20223WA



Save yourself a chore with this frost free freezer - it defrosts itself automatically!

Store all of your large and bulky items in the 2 extra large freezer drawers.

Freeze fresh food safely and efficiently with the Quick Freeze function.

Specifications

- 6 freezer compartments, including 2 maxi drawers and 2 compartments with drop down doors
- Quick Freeze function with auto switch off
- Save money with this energy efficient A+ rated model
- 225 litre gross freezer capacity
- Electronic touch controls
- Freezing capacity: 20kg/24hrs
- Reversible door hinging



Colour options:

ZFU20223WA - White

Matching freezer:

ZRA33103WA

FREESTANDING COOLING: UNDER COUNTER FRIDGES AND FREEZERS

ZFT10210WA



Save yourself a chore with this frost free freezer - it defrosts itself automatically!

For fresher, safer food storage switch on the Quick Freeze function before you go to the supermarket, it lowers the temperature, protects the contents and quickly freezes food.

Specifications

- 4 transparent freezer drawers
- Quick Freeze function with auto switch off
- High temperature alarm
- Save money with this energy efficient A+ rated model
- 100 litre gross freezer capacity
- External controls
- Freezing capacity: 9kg/24hrs
- Reversible door hinging

Colour options:

ZFT10210WA - White

Matching fridge:

ZRG16602WE



ZRG16602WE



Save money with this highly efficient A++ rated fridge freezer - using 25% less energy than an A+ rated model.

The EasyStore™ box allows you to store and protect delicate foods such as herbs and nuts.

Specifications

- Auto fridge defrost
- 2 height adjustable glass shelves
- 3 full width door shelves
- 155 litre gross fridge capacity
- Removable egg tray
- Reversible door hinging

Colour options:

ZRG16602WE - White

Matching freezer:

ZFT10210WA - Frost Free

ZFT1112WE - Static

ZFT1112WE



For fresher, safer food storage switch on the Quick Freeze function before you go to the supermarket, it lowers the temperature, protects the contents and quickly freezes food.

Save money with this highly efficient A++ rated fridge freezer - using 25% less energy than an A+ rated model.

Specifications

- 3 large capacity transparent freezer drawers
- Quick Freeze function with auto switch off
- High temperature alarm
- This 4 star freezer allows you to store and freeze fresh food for up to 12 months
- 110 litre gross freezer capacity
- External controls
- Freezing capacity: 14kg/24hrs
- Reversible door hinging

Colour options:

ZFT1112WE - White

Matching fridge:

ZRG16602WE

FREESTANDING COOLING: UNDER COUNTER FRIDGES AND FREEZERS



ZRG16605WA / XA



Store more, shop less: Space+ gives you extra space inside but standard dimensions outside.

Full width diary compartment is ideal for butter and cheese storage, so you can serve these straight from the fridge.

Specifications

- Save money with this energy efficient A+ rated model
- Auto fridge defrost
- 2 height adjustable glass shelves
- 3 full width door shelves
- 155 litre gross fridge capacity
- Removable egg tray
- Reversible door hinging

Colour options:

ZRG16605WA - White
ZRG16605XA - Stainless steel

Matching freezer:

ZFT11105WA - White
ZFT11105XA - Stainless steel



ZFT11105WA / XA



This 55cm wide freezer has a large storage capacity and is ideal for families.

This 4 star freezer allows you to store and freeze food for up to 12 months.

Specifications

- 3 freezer compartments, including one with drop down door
- High temperature indicator
- Save money with this energy efficient A+ rated model
- 110 litre gross freezer capacity
- External controls
- Freezing capacity: 12kg/24hrs
- Reversible door hinging

Colour options:

ZFT11105WA - White
ZFT11105XA - Stainless steel

Matching fridge:

ZRG16605WA - White
ZRG16605XA - Stainless steel



ZRG11600WA



At just 50cm wide, this fridge is perfect for the smallest of kitchens.

Specifications

- Save money with this energy efficient A+ rated model
- Auto fridge defrost
- 2 height adjustable glass shelves
- 3 door shelves
- 105 litre gross fridge capacity
- Reversible door hinging

Colour options:

ZRG11600WA - White

Matching freezer:

ZFG06400WA



ZFG06400WA



At just 50cm wide, this freezer fits into the smallest spaces, so even when room is limited you can still store your frozen food somewhere convenient.

Transparent freezer drawers allow for easy and instant visibility of drawer contents.

Specifications

- This 4 star freezer allows you to store and freeze food for up to 12 months
- 3 freezer compartments, including one with drop down door
- Save money with this energy efficient A+ rated model
- 70 litre gross freezer capacity
- Freezing capacity: 6kg/24hrs
- Reversible door hinging

Colour options:

ZFG06400WA - White

Matching fridge:

ZRG11600WA



FREESTANDING COOLING: UNDERCOUNTER FRIDGES WITH FREEZER COMPARTMENT



ZRG14800WA



The 4 star freezer compartment in this fridge lets you freeze your food without a separate freezer.

The EasyStore™ box allows you to store and protect delicate foods such as herbs and nuts.

Specifications

- Save money with this energy efficient A+ rated model
- Auto fridge defrost
- 19 litre 4 star freezer compartment
- 2 glass shelves
- 3 full width door shelves
- 125 litre gross fridge capacity
- Removable egg tray
- Reversible door hinging

Colour options:
ZRG14800WA - White



ZRG15805WA



The 4 star freezer compartment in this fridge lets you freeze your food without a separate freezer.

Full width diary compartment is ideal for butter and cheese storage, so you can serve these straight from the fridge.

Specifications

- Save money with this energy efficient A+ rated model
- Auto fridge defrost
- 18 litre 4 star freezer compartment
- 2 glass shelves
- 3 full width door shelves
- 128 litre gross fridge capacity
- Removable egg tray
- Reversible door hinging

Colour options:
ZRG15805WA - White



FREESTANDING COOLING: COMPACT REFRIGERATION



ZRX51100WA



This fridge is so compact that it can fit where most can't, giving you maximum versatility.

Specifications

- Save money with this energy efficient A+ rated model
- Easy to use controls
- 6 litre ice box
- 1 full width wire shelf
- 1 full and 1 half width door shelves
- 37 litre gross fridge capacity
- Reversible door hinging

Colour options:
ZRX51100WA - White



Matching freezer:
ZFX31400WA

ZFX31400WA



This freezer is so compact that it can fit where most can't, giving you maximum versatility.

This 4 star freezer allows you to store and freeze food for up to 12 months.

Specifications

- Save money with this energy efficient A+ rated model
- 1 wire shelf
- Adjustable temperature control
- 32 litre gross freezer capacity
- Freezing capacity: 3kg/24hrs
- Reversible door hinging

Colour options:
ZFX31400WA - White



Matching fridge:
ZRX51100WA

FREESTANDING COOLING: CHEST FREEZERS

ZFC14500WA



This 60cm wide chest freezer provides valuable additional freezer space but does not take up a lot of room.

Due to its concealed condenser, this model is suitable for outbuildings and garages.

Specifications

- Easily locate food with the internal light, integrated into the lid
- Maximise freezer storage space with the large interior and 1 flexible basket
- Worry free loading and unloading with the balanced lid
- Fixed feet
- Defrosting water outlet

Colour options:

ZFC14500WA - White



ZFC21400WA



There's no need to worry about the temperature of your freezer rising as this model will alert you with a warning alarm.

Due to its concealed condenser, this model is suitable for outbuildings and garages.

Specifications

- Easily locate food with the internal light, integrated into the lid
- Maximise freezer storage space with the large interior and 1 flexible basket
- Worry free loading and unloading with the balanced lid
- Fixed feet
- Defrosting water outlet

Colour options:

ZFC21400WA - White



ZFC26500WA



This A+ energy rated freezer uses minimal energy, saving you money

This 4 star freezer allows you to store and freeze food for up to 12 months.

Specifications

- Easily locate food with the internal light, integrated into the lid
- Maximise freezer storage space with the large interior and 2 flexible baskets
- Worry free loading and unloading with the balanced lid
- Fixed feet
- Defrosting water outlet

Colour options:

ZFC26500WA - White

FREESTANDING COOLING: CHEST FREEZERS



ZFC31500WA



This A+ energy rated freezer uses minimal energy, saving you money

Due to its concealed condenser, this model is suitable for outbuildings and garages.

Specifications

- Easily locate food with the internal light, integrated into the lid
- Maximise freezer storage space with the large interior and 3 flexible baskets
- Worry free loading and unloading with the balanced lid
- Fixed feet
- Defrosting water outlet

Colour options:
ZFC31500WA - White



ZFC41400WA



This A+ energy rated freezer uses minimal energy, saving you money

Due to its concealed condenser, this model is suitable for outbuildings and garages.

Specifications

- Easily locate food with the internal light, integrated into the lid
- Maximise freezer storage space with the large interior and 3 flexible baskets
- Worry free loading and unloading with the balanced lid
- Model on wheels to allow for easy movement
- Defrosting water outlet

Colour options:
ZFC41400WA - White



BUILT-IN COOLING MADE EASY

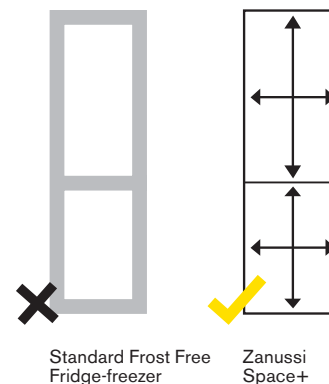


MAXIMUM FLEXIBILITY

The temperature in many refrigerators can vary, which means you have to take care to put certain items in specific locations. With AirFlow+ there's no need to bother – it cools your fridge thoroughly and evenly, so you can organize your food any way you like.

LOW FROST

Our Low Frost technology means that it is easier and quicker to defrost, and you may only have to defrost every 2 years.



SPACE+

Because the Space+ fridge-freezer has extra storage space, you can store more food, shop less frequently – and make the most of your extra free time!

MAXIMUM VISIBILITY



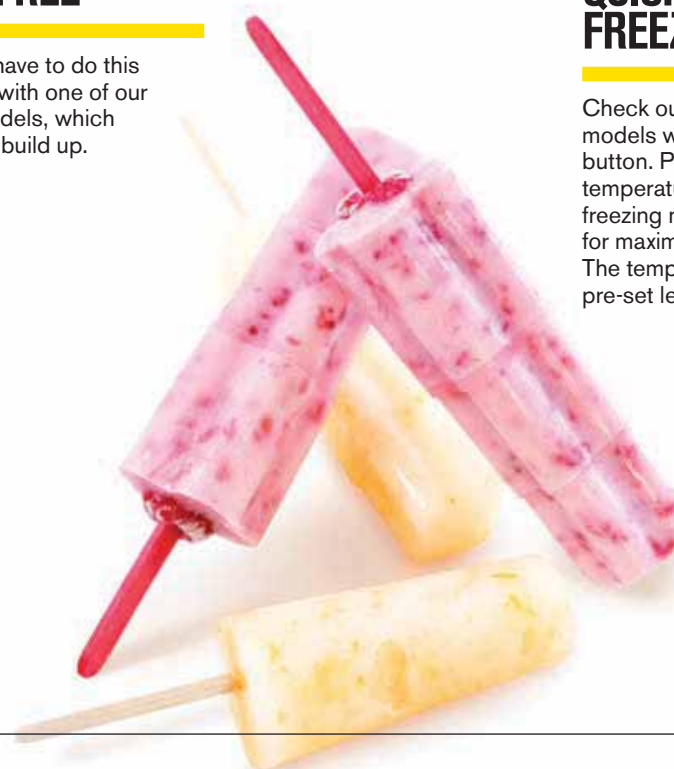
Check what's in your freezer at a glance. No more opening and closing freezer drawers to check what's inside – these are transparent, so you can see what you have in stock at a glance.

FROST FREE

You'll never have to do this chore again with one of our frost-free models, which prevents ice build up.

QUICK FREEZE

Check out our selected freezer models with the Quick Freeze button. Press it to lower the temperature instantly, rapidly freezing newly added food for maximum freshness. The temperature returns to pre-set levels automatically.



3 EASY TIPS FOR CHOOSING YOUR FRIDGE

1 FOR ANY SIZE OF SPACE

CHOOSING THE RIGHT APPLIANCE

What's best where space is limited?

Under-counter appliances sit neatly beneath a worktop, maintaining the plinth line. With front ventilation, there's no need for unsightly vents to be fitted to the worktop. Just add a furniture door.

What are the options for a large kitchen?

Our in-column refrigeration appliances can be installed in a tall housing unit, giving you the flexibility of having a separate fridge, freezer or combined fridge-freezer. We have a solution to fit all available spaces.

Door on door hinge explained

The benefits of this type of hinge are that you can add more weight to the door and open it at a larger angle, making access and use easier.

Sliding door hinge explained

The hinged furniture door is attached to the appliance with a number of brackets. As the furniture door opens, the appliance door is opened via the sliding bracket arrangement.



2 MORE FRESH FOOD

FRIDGE-FREEZERS

Will it hold a week's shopping?

Yes, our Space+ fridge-freezers have an extra-large capacity and will even accommodate family packs.

Will food last longer?

Some models in our fridge-freezer range have TwinTech™ Frost Free technology. This ensures that humidity levels are maintained in the fridge whilst the temperature is kept at a low stable rate, resulting in food being preserved properly, staying fresh for as long as possible.



3 TOTAL CONVENIENCE

FREEZERS

Can food be frozen for a long period?

Yes, up to 12 months. All of our freezers have a 4-star freezer rating.

Can food be frozen quickly?

Check out our selected freezers models with the Quick Freeze button. Press it to lower the temperature instantly, rapidly freezing newly added food for maximum freshness. The temperature returns to pre-set levels automatically.

Is there a way to avoid defrosting the freezer?

Yes, you'll never have to do this chore again with one of our frost-free models, which prevents ice build up. Many of our models have Low Frost technology, so you only have to defrost them every 2 years.

Can it help organise food storage?

With transparent freezer drawers, you'll find what you need or where to put it with ease.



BUILT-IN COOLING: FRIDGE-FREEZERS

ZBB27650SA



With a frost free freezer there is no need to defrost - saving you a chore!

This model gives a good balance of fresh food and frozen food storage as it is equally split between fridge and freezer.

Specifications

- Food stays fresher for longer with TwinTech™ Frost Free technology
- Touch control electronics provide instant temperature response
- Ensure your food stays fresher for longer with the Quick Chill function
- Quick Freeze function with auto switch off
- This model is A+ energy rated, using less energy, saving you money
- Auto fridge defrost
- View contents at a glance with the bright LED lighting
- 4 full width glass shelves, of which 3 are adjustable
- 2 large salad crispers with glass cover
- 4 full width, transparent freezer drawers
- Covered dairy compartment
- 2 full width door shelves
- 4 star freezer can store frozen food for up to 12 months and freeze down fresh food
- Removable egg tray
- Hinge type: sliding door
- Reversible door hinge



For installation diagrams see page 66

ZBB28651SA



With a frost free freezer there is no need to defrost - saving you a chore!

Food stays fresher for longer with TwinTech™ Frost Free technology.

Specifications

- Easy to understand electronic display
- Bright, ultra efficient, internal LED lighting
- Quick Freeze function with auto switch off
- Automatic defrost in fridge
- 2 half width salad drawers
- 3 freezer drawers
- Transparent freezer drawers
- This A+ energy rated fridge-freezer uses less energy, saving you money
- 1 full width covered dairy compartment
- 3 full width door shelves
- 5 full depth glass shelves, of which 4 are adjustable
- 4 star freezer can store frozen food for up to 12 months and freeze down fresh food
- Removable egg tray
- Hinge type: Sliding door
- Reversible door hinge



COOLING

More benefits of frost free

As well as saving you the chore of having to defrost the freezer, you also get the benefit of no loss of storage space, no deterioration of energy consumption due to ice build up and food is preserved individually together so things don't stick together.

For installation diagrams see page 66

BUILT-IN COOLING: FRIDGE-FREEZERS

ZBB28441SA



With new Low Frost technology there is less ice build up in the freezer - so you don't need to defrost as often!

This energy efficient fridge-freezer is A+ energy rated, using less energy, saving you money.

Specifications

- Easy to use controls
- Easy clean shelves
- Automatic defrost in fridge
- 2 half width salad drawers
- 3 freezer drawers
- 4 height adjustable shelves
- 1 full width covered dairy compartment
- 3 full width door shelves
- 3 large transparent freezer drawers
- 4 star freezer can store frozen food for up to 12 months and freeze down fresh food
- Removable egg tray
- Hinge type: Sliding door
- Reversible door



For installation diagrams see page 66



ZBB27450SA



With Low Frost technology there is less ice build up in the freezer - so you don't need to defrost as often!

This model gives a good balance of fresh food and frozen food storage as it is equally split between fridge and freezer.

Specifications

- Easy to use controls
- Easy clean glass shelves
- Transparent freezer drawers
- Automatic defrost in fridge
- 2 half width salad drawers
- 2 height adjustable glass shelves
- 1 full width covered dairy compartment
- 3 full width door shelves
- 4 freezer drawers
- Removable egg tray
- Hinge type: Sliding door
- Reversible door hinge

For installation diagrams see page 66



ZBB24431SA



At 145cm tall this integrated fridge-freezer is ideal for small kitchens or where space is at a premium.

This extra-efficient A+ fridge-freezer uses less energy, saving you money.

Specifications

- Automatic defrost in fridge
- 2 half width salad drawers
- 2 height adjustable glass shelves
- 2 large transparent freezer drawers
- 1 full width covered dairy compartment
- 3 full width door shelves
- Removable egg tray
- Hinge type: Sliding door

For installation diagrams see page 66

BUILT-IN COOLING: IN COLUMN FRIGDES AND FREEZERS

ZBA32050SA



This large capacity fridge is ideal for large and busy families who need lots of fresh food at their fingertips.

Ensure your food stays fresher for longer with the Quick Chill function.

Specifications

- Large capacity fresh food storage space
- Electronic controls allow you to set the temperature at your desired temperature
- Auto fridge defrost
- View contents at a glance with the bright LED lighting
- 1 extra large telescopic salad drawer
- 1 full width covered dairy compartment
- 4 full width door shelves
- 6 full width glass shelves, of which 5 are adjustable
- 323ltr gross capacity
- Removable egg tray
- Hinge type: Sliding door



Matching freezer:
ZBF22451SA

For installation diagrams see page 66

ZBF22451SA



This large capacity freezer is the perfect storage solution for busy families who buy and freeze in large quantities.

Save yourself a chore, this freezer defrosts itself.

Specifications

- Large capacity frozen food storage space
- Touch control electronics provide instant temperature response
- 7 freezer compartments, including 5 full width drawers and 2 with fold down openings
- High temperature alarm
- Quick Freeze function with auto switch off
- Door open alarm
- A+ energy
- Reversible door
- Freezing capacity: 20kg/24hrs
- Hinge type: Sliding door



Matching freezer:
ZBA32050SA

For installation diagrams see page 66

BUILT-IN COOLING: IN COLUMN FRIGDES AND FREEZERS

ZBA22421SA



The 4 star freezer in this fridge lets you freeze your food without a separate freezer, and at only 122cm tall it's ideal for small kitchens.

Specifications

- 15 litre 4 star freezer compartment
- Large capacity fresh food storage space
- A+ energy rating
- Auto fridge defrost
- 1 large salad drawer
- 4 full width door shelves
- 1 full width covered dairy compartment
- 3 full width glass shelves
- 177 litre gross fridge capacity
- Removable egg tray
- Hinge type: Sliding door



4 star ice box

Ideal for compact kitchens, fridges with 4 star ice boxes are the ideal solution as you have space for your fresh food, combined with freezer space. A 4 star ice box allows you to store frozen food for up to 12 months and safely freeze food.

For installation diagrams see page 66



ZBA15021SA



This fridge has an A+ class energy rating, saving you money.

Specifications

- Large capacity fresh food storage space
- 1 extra large salad drawer
- 1 full width covered dairy compartment
- 2 full width door shelves
- 3 full width glass shelves for flexible storage
- Auto fridge defrost
- 147 litre gross fridge capacity
- Removable egg tray
- Hinge type: Sliding door

Can be integrated in column with ZBF11421SA freezer

For installation diagrams see page 66

ZBF11421SA



Always find what you are looking for with our removable transparent freezer baskets, easier for loading and unloading.

This freezer has an A+ class energy rating, saving you money.

Specifications

- Large capacity frozen food storage space
- 3 large capacity freezer drawers
- 1 freezer compartment with flap opening
- High temperature alarm
- Quick Freeze function with automatic reset
- Thermostat control knob
- Reversible door
- Freezing capacity: 10kg/24hrs
- Hinge type: Sliding door

Can be integrated in column with ZBA15020SA larder fridge

For installation diagrams see page 66

BUILT-IN COOLING: UNDER COUNTER FRIDGES AND FREEZERS



ZQA12430DA



The 4 star freezer compartment in this fridge lets you freeze your food without a separate freezer.

This fridge has an A+ class energy rating, saving you money. The controls are so easy to understand, it's almost intuitive.

Specifications

- 17 litre 4 star freezer compartment
- Large capacity fresh food storage space
- 1 full width and 1 half width door shelves
- 1 extra large recessed salad drawer
- 1 full width covered dairy compartment
- 2 height adjustable glass shelves
- Auto fridge defrost
- 105 litre gross fridge capacity
- Removable egg tray
- Hinge type: Fixed door on door
- Reversible door

4 star freezing

All of Zanussi's static and frost free freezers have a 4 star freezer rating. This enables you to store and freeze food for up to 12 months.

For installation diagrams see page 66



ZQA14031DA



This fridge has an A+ class energy rating, saving you money.

Specifications

- Large capacity fresh food storage space
- 1 extra large recessed salad drawer
- 1 full width covered dairy compartment
- 3 full width glass shelves for flexible storage
- 140 litre gross fridge capacity
- Auto fridge defrost
- Removable egg tray
- Hinge type: Fixed door on door
- Reversible door

Matching freezer:

ZQF11430DA

For installation diagrams see page 66



ZQF11431DA



For fresher, safer food storage switch on Zanussi's Fast Freeze function before you go to the supermarket, it lowers the freezer temperature, protects the contents and quickly freezes fresh food. This freezer has an A+ class energy rating, saving you money.

Specifications

- 3 large freezer drawers plus unique recessed drawer
- Quick Freeze function with automatic reset
- Thermostat control knob
- External controls
- Door open warning alarm
- Reversible door
- Freezing capacity: 18kg/24hrs
- Hinge type: Fixed door on door

Matching freezer:

ZQA14030DA

For installation diagrams see page 66

FREESTANDING COOLING: FRIDGES



ZRA4013WA



ZRA33103WA



ZRG16602WE

FRIDGE FEATURES	ZRA4013WA	ZRA33103WA	ZRG16602WE
Salad drawer	•	•	•
Number of glass shelves:	6	5	3
of which - adjustable glass shelves	5	4	2
Type of freezer compartment			
Interior light	1	1	1
FRIDGE DOOR FEATURES	ZRA4013WA	ZRA33103WA	ZRG16602WE
Full width diary compartment			
EasyStore box	•	•	•
Number of door shelves	5	4	3
Number and type of egg trays	1 for 6 eggs	1 for 6 eggs	1 for 6 eggs
External handle	Small	Small	Small
External colour	White	White	White
DIMENSIONS	ZRA4013WA	ZRA33103WA	ZRG16602WE
Door hinging	Right & Reversible	Right & Reversible	Right & Reversible
Height (mm)	1850	1544	850
Width (mm)	595	595	595
Depth (mm)	658	668	635
Gross capacity fridge (litres/cu.ft.)	400/14.1	317/11.5	155/5.5
Net capacity fridge (litres/cu.ft.)	395/13.9	314/11.3	152/5.5
Net capacity star compartment (litres/cu.ft.)			
PERFORMANCE	ZRA4013WA	ZRA33103WA	ZRG16602WE
Annual energy consumption (kWh)	148	147	94
Energy efficiency class	A+	A+	A++
Energy efficiency index (%)	39	44	32.9
Climate class	SN-T	SN-T	SN-T
Noise (dB (A))	39	39	38
Freezing capacity (Freezer compartment) (kg/24hr)			
Power cut safe rising time (Freezer compartment) (hr)			
Minimum ambient temperature (°C)	10	10	10



ZRG16605WA/XA



ZRG11600WA



ZRG14800WA



ZRG15805WA



ZRX51100WA

ZRG16605WA/XA	ZRG11600WA	ZRG14800WA	ZRG15805WA	ZRX51100WA	
•	•	•	•	•	
3	3	2	2	1 wire	
2	2	1	1		
		4 star	4 star	Ice box	
1	1	1	1		
•			•		
	•	•			
3	3	3	3	2	
1 for 6 eggs		1 for 6 eggs	1 for 6 eggs		
Small	Integrated	Small	Small	Small	
White/Stainless steel	White	White	White	White	
DIMENSIONS	ZRG16605WA/XA	ZRG11600WA	ZRG14800WA	ZRG15805WA	ZRX51100WA
Door hinging	Right & Reversible	Right & Reversible	Right & Reversible	Right & Reversible	Right & Reversible
Height (mm)	850	847	850	850	510
Width (mm)	550	494	595	550	439
Depth (mm)	612	494	635	612	532
Gross capacity fridge (litres/cu.ft.)	155/5.5	105/3.7	144/5.1	146/5.1	37/1.3
Net capacity fridge (litres/cu.ft.)	153/5.4	102/3.6	119/4.2	118/4.1	36/1.3
Net capacity star compartment (litres/cu.ft.)			18/0.6	18/0.6	6/0.2
PERFORMANCE	ZRG16605WA/XA	ZRG11600WA	ZRG14800WA	ZRG15805WA	ZRX51100WA
Annual energy consumption (kWh)	119	113	197	191	107
Energy efficiency class	A+	A+	A+	A+	A+
Energy efficiency index (%)	41.9	41.7	43.9	43.9	41.8
Climate class	SN-ST	N-ST	SN-T	SN-ST	SN-ST
Noise (dB (A))	38	37	41	38	40
Freezing capacity (Freezer compartment) (kg/24hr)			2	2	
Power cut safe rising time (Freezer compartment) (hr)			12	11	
Minimum ambient temperature (°C)	10	16	16	10	10

FREESTANDING COOLING: FREEZERS



ZFU25113WA



ZFU20223WA



ZFT11112WE

FREEZER FEATURES	ZFU25113WA	ZFU20223WA	ZFT11112WE
Frost free	•	•	•
Static		•	•
Freezer drawers	5	4	3
Fold down compartments	2	2	
Quick Freeze function	•	•	•
High temperature indicator	•	•	•
Power indicator	•	•	•
External handle	Small	Small	Small
External colour	White	White	White
DIMENSIONS	ZFU25113WA	ZFU20223WA	ZFT11112WE
Door hinging	Right & Reversible	Right & Reversible	Right & Reversible
Height (mm)	1850	1544	850
Width (mm)	595	595	595
Depth (mm)	668	668	635
Gross capacity freezer (litres/cu.ft.)	250/8.8	225/7.9	110/3.9
Net capacity freezer (litres/cu.ft.)	227/8	177/6.9	92/3.2
PERFORMANCE	ZFU25113WA	ZFU20223WA	ZFT11112WE
Annual energy consumption (kWh)	290	276	145
Energy efficiency class	A+	A+	A++
Energy efficiency index (%)	44	44	32.9
Climate class	SN-T	SN-T	SN-T
Noise (dB (A))	42	42	41
Freezing capacity (kg/24hr)	20	20	14
Power cut safe rising time (hr)	15	15	24
Minimum ambient temperature (°C)	10	10	10



ZFT10210WA



ZFT1105WA/XA



ZFG06400WA



ZFX31400WA

ZFT10210WA	ZFT1105WA/XA	ZFG06400WA	ZFX31400WA	
•	•	•	•	
4	2	2	1 compartment	
	1	1		
•	•	•	•	
•	•	•	•	
•	•	•	•	
Small	Small	Integrated	Small	
White	White/Stainless steel	White	White	
DIMENSIONS	ZFT10210WA	ZFT1105WA/XA	ZFG06400WA	ZFX31400WA
Door hinging	Right & Reversible	Right & Reversible	Right & Reversible	Right & Reversible
Height (mm)	850	850	847	510
Width (mm)	595	550	494	439
Depth (mm)	635	612	612	532
Gross capacity freezer (litres/cu.ft.)	100/3.5	110/3.9	70/2.5	32.1.13
Net capacity freezer (litres/cu.ft.)	80/2.8	91/3.2	63/2.2	30/1.06
PERFORMANCE	ZFT10210WA	ZFT1105WA/XA	ZFG06400WA	ZFX31400WA
Annual energy consumption (kWh)	197	185	166	149
Energy efficiency class	A+	A+	A+	A+
Energy efficiency index (%)	43.9	43.9	42	41.9
Climate class	SN-T	SN-T	N-ST	SN-ST
Noise (dB (A))	42	40	43	43
Freezing capacity (kg/24hr)	9	12	6	3
Power cut safe rising time (hr)	13	22	14	18
Minimum ambient temperature (°C)	10	10	16	10

FREESTANDING COOLING: CHEST FREEZERS



ZFC14500WA



ZFC21400WA



ZFC26500WA

FREEZER FEATURES			
Temperature control type	Mechanical	Mechanical	Mechanical
High Temperature indicator		•	
FREEZER FEATURES			
Gross capacity freezer (litres/cu.ft)	142 / 5	213 / 7.5	263 / 9.3
Net capacity freezer (litres/cu.ft)	140 / 4.9	210 / 7.4	260 / 9.2
Freezer baskets	1	1	2
Internal lighting	•	•	•
Wheels			
Fixed feet	•	•	•
Freezer defrost function	Static	Static	Static
Balanced lid	•	•	•
Drainage point	•	•	•
DIMENSIONS			
Height (mm)	868	868	868
Width (mm)	595	795	946
Depth (mm)	665	665	688
PERFORMANCE			
Annual energy consumption (kWh)	191	227	252
Energy efficiency class	A+	A+	A+
Energy efficiency index (%)	41.8	41.9	41.8
Climate class	SN-T	SN-T	SN-T
Noise dB (A)	42	42	45
Freezing capacity (kg/24hr)	13	14	16
Power cut safe rising time (hr)	25	28	32
Minimum ambient temperature (°C)	0	0	0



ZFC31500WA



ZFC41400WA

FREEZER FEATURES	
Temperature control type	Mechanical
High Temperature indicator	
FREEZER FEATURES	
Gross capacity freezer (litres/cu.ft)	304 / 10.7
Net capacity freezer (litres/cu.ft)	300 / 10.6
Freezer baskets	3
Internal lighting	•
Wheels	
Fixed feet	•
Freezer defrost function	Static
Balanced lid	•
Drainage point	•
DIMENSIONS	
Height (mm)	868
Width (mm)	1050
Depth (mm)	665
PERFORMANCE	
Annual energy consumption (kWh)	272
Energy efficiency class	A+
Energy efficiency index (%)	41.8
Climate class	SN-T
Noise dB (A)	49
Freezing capacity (kg/24hr)	17
Power cut safe rising time (hr)	32
Minimum ambient temperature (°C)	0

BUILT-IN COOLING: FRIDGE-FREEZERS



FRIDGE FEATURES	No-Frost 50:50 fridge-freezer	Frost Free 70:30 fridge-freezer	Low Frost 70:30 fridge-freezer	Low Frost 50:50 fridge-freezer	70:30 fridge-freezer
Defrost	auto	auto	auto	auto	auto
Electronic controls	Touch control	•	•	•	•
Quick chill	In LCD display	•	•	•	•
Mechanical temperature controls	•	•	•	•	•
Adjustable thermostat coin / knob	•	•	Knob	Knob	Knob
Dairy compartment	•	•	•	•	•
Full width door shelves	2	4	3	3	3
Air circulation fan	•	•	•	•	•
Glass shelves (full depth)	3	4	4	2	2
Glass shelves (half depth)	•	•	•	•	•
Flexible shelf positions	•	•	•	•	•
2 half width salad bins with full width glass cover	•	•	•	•	•
Interior light	LED lighting	LED lighting	•	•	•
Egg tray	•	•	•	•	•
FREEZER FEATURES					
Defrost - freezer	auto	auto	Low frost	Low frost	manual
Electronic temperature controls	•	•	•	•	•
On LED (Green)	In LCD display	•	•	•	•
Quick Freeze Function with timed auto switch off	•	•	•	•	•
Fast Freeze LED (Yellow)	In LCD display	•	•	•	•
High temperature warning LED (Red)	In LCD display	•	•	•	•
High temperature warning audible buzzer	•	•	•	•	•
Freezer compartments (flap / drawers)	0/4	0/3	0/3	0/4	0/2
Transparent freezer compartments	•	•	•	•	•
Freezer calendar	•	•	•	•	•
Ice cube tray	•	•	•	•	•
Ice scraper	•	•	•	•	•
OTHER FEATURES					
Reversible Doors	•	•	•	•	•
100% CFC free	•	•	•	•	•
100% HFC free	•	•	•	•	•
Fridge-freezer split	50:50	70:30	70:30	50:50	70:30
Gross capacity fridge litres (cu.ft)	161 (5.7)	202 (7.1)	205 (7.2)	163 (5.8)	163 (5.8)
Net capacity fridge litres (cu.ft)	158 (5.6)	200 (7)	202 (7.1)	160 (5.6)	160 (5.6)
Gross capacity freezer litres (cu.ft)	108 (3.8)	78 (2.8)	75 (2.6)	106 (3.7)	57 (2)
Net capacity freezer litres (cu.ft)	88 (3.1)	63 (2.2)	75 (2.6)	106 (3.7)	57 (2)
Frozen food rating	4 star	4 star	4 star	4 star	4 star
PERFORMANCE					
Annual energy consumption (kWh) 2)	307	297	297	293	249
Energy efficiency class 1)	A+	A+	A+	A+	A+
Energy efficiency index (%)	41.9	41.9	41.86	41.8	43.8
Climate class 4)	SN-T	SN-ST	SN-T	SN-ST	SN
Noise (dB (A))	38	39	36	36	34
Freezing capacity (kg/24hr)	10	4	4	4	4
Power cut safe rising time (hr) 3)	25	20	22	22	20
Minimum ambient temperature (°C)	10	10	10	10	10
ELECTRICAL CONNECTION					
Connected load Watts	160	150	200	140	150
Fuse rating A	13	13	13	13	13
PRODUCT DIMENSIONS					
Height x Width x Depth (mm)	1772 x 540 x 547	1772 x 540 x 547	1772 x 540 x 547	1772 x 540 x 547	1441 x 540 x 549
Net Weight (kg)	59.5	57.5	57.0	57.5	48.0
BUILT-IN DIMENSIONS					
Height x Width x Depth (mm)	1780 x 560 x 550	1780 x 560 x 550	1780 x 560 x 550	1780 x 560 x 550	1446 x 560 x 550
Door Fixing	Slider	Slider	Slider	Slider	Slider
PACKAGING INFORMATION					
Height x Width x Depth (mm)	1840 x 590 x 600	1860 x 610 x 620	1840 x 590 x 600	1860 x 610 x 620	1530 x 610 x 620
Gross Weight Kg	61.5	62.0	59.0	62.0	52.0
LITERATURE SUPPLIED					
Operation and instruction manuals	•	•	•	•	•

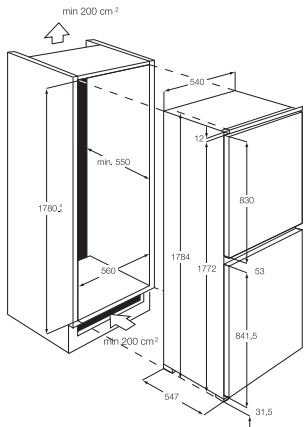


FRIDGE FEATURES	In-column larder fridge	In-column Freezer	In-column fridge with 4 star freezer	In-column larder fridge	In-column freezer	Under counter fridge with 4 star freezer	Under counter larder fridge	Under counter freezer
Defrost	auto	auto	auto	auto	auto	auto	auto	auto
Adjustable thermostat coin / knob	Electronic	•	Knob	Knob	•	Knob	Knob	•
Quick chill	•	•	•	•	•	•	•	•
Dairy compartment	•	•	•	•	•	•	•	•
Full width door shelves	4	•	4	3	•	2	2	•
Glass shelves (full depth)	6	•	3	4	•	1	2	•
Flexible shelf positions	•	•	•	•	•	•	•	•
Full width transparent salad bin	•	•	•	•	•	•	•	•
Interior light	LED	•	•	•	•	•	•	•
Egg tray	•	•	•	•	•	•	•	•
FREEZER FEATURES								
Defrost - freezer	•	Frost Free	manual	•	manual	manual	•	manual
Electronic temperature controls	•	Touch control	•	•	•	•	•	•
Adjustable thermostat coin / knob	•	•	•	•	Knob	•	•	Knob
On LED (Green)	•	•	•	•	•	•	•	•
Quick Freeze Function with timed auto switch off	•	•	•	•	•	•	•	•
Fast Freeze LED (Yellow)	•	•	•	•	•	•	•	•
High temperature warning LED (Red)	•	•	•	•	•	•	•	•
High temperature warning audible buzzer	•	•	•	•	•	•	•	•
Door open warning audible buzzer	•	•	•	•	•	•	•	•
Freezer compartments (flap / drawers)	•	2/5	1/0	•	1/3	1/0	•	0/4
Transparent freezer compartments	•	•	•	•	•	•	•	•
Freezer calendar	•	•	•	•	•	•	•	•
Ice scraper	•	•	•	•	•	•	•	•
OTHER FEATURES								
Adjustable feet	•	•	•	•	•	•	•	•
Reversible Doors	•	•	•	•	•	•	•	•
100% CFC free	•	•	•	•	•	•	•	•
100% HFC free	•	•	•	•	•	•	•	•
Matching fridge / freezer	ZBF22451SA	ZBA32050SA	•	ZBF11421SA	ZBA15020SA	•	ZQF11430DA	ZQA14030DA
Gross capacity fridge litres (cu.ft)	323 (11.4)	•	177 (6.2)	147 (5.2)	•	105 (3.7)	140 (5.0)	•
Net capacity fridge litres (cu.ft)	319 (11.3)	•	174 (6.1)	146 (5.1)	•	100 (3.6)	136 (4.8)	•
Gross capacity freezer litres (cu.ft)	•	220 (7.8)	15 (0.5)	•	99 (3.4)	17 (0.6)	•	108 (3.8)
Net capacity freezer litres (cu.ft)	•	210 (7.4)	15 (0.5)	•	98 (3.4)	17 (0.6)	•	98 (3.5)
Frozen food rating	•	4 star	4 star	•	4 star	4 star	•	4 star
PERFORMANCE								
Annual energy consumption (kWh) 2)	143	308	215	123	110	184	124	198
Energy efficiency class	A+	A+	A+	A+	A+	A+	A+	A+
Energy efficiency index (%)	41.68	41.9	41.8	41.8	43.9	43.8	43.8	43.8
Climate class	SN-ST	SN-T	SN-ST	SN-T	SN-T	SN-ST	SN-ST	SN-ST
Noise (dB (A))	33	39	36	38	36	40	36	38
Freezing capacity (kg/24hr)	•	20	2	N/A	16	2.5	N/A	18
Power cut safe rising time (hr)	•	24	12	N/A	20	13	N/A	29
Minimum ambient temperature (°C)	10	10	10	10	10	10	10	10
ELECTRICAL CONNECTION								
Connected load Watts	120	150	160	80	100	110	120	130
Fuse rating A	13	13	13	13	13	13	13	13
PRODUCT DIMENSIONS								
Height x Width x Depth (mm)	1772 x 547 x 547	1772 x 547 x 547	1218 x 540 x 549	873 x 540 x 549	873 x 540 x 547	815/868 x 596 x 550	815/868 x 596 x 550	815/868 x 596 x 550
Net Weight Kg	59.5	60.0	43.0	31.0	33.5	37.0	34.0	38.0
BUILT-IN DIMENSIONS								
Height x Width x Depth (mm)	1780 x 560 x 550	1780 x 560 x 550	1225 x 560 x 550	880 x 560 x 550	880 x 560 x 550	820/870 x 600 x 550	820/870 x 600 x 550	820/870 x 600 x 550
Door Fixing	Slider	Slider	Slider	Slider	Slider	Door on door	Door on door	Door on door
PACKAGING INFORMATION								
Height x Width x Depth (mm)	1840 x 590 x 600	1840 x 590 x 600	1300 x 590 x 600	925 x 586 x 630	960 x 600 x 620	880 x 640 x 620	880 x 640 x 620	880 x 640 x 620
Gross Weight (kg)	61.5	62.0	44.5	32.0	62.0	38.0	35.0	39.0
LITERATURE SUPPLIED								
Operation and instruction manuals	•	•	•	•	•	•	•	•

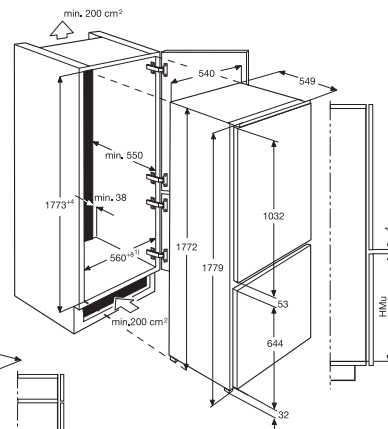
1) Energy efficiency class based on a scale of A+ (most efficient) to G (least efficient)
 2) Based on standard test results for 24 hours in accordance with EN153. Actual consumption will depend on how the appliance is used and where it is located
 3) Time for food temperature to rise from -18°C to -9°C with the power off and the door remaining closed
 4) Climate class - the product is suitable for use in ambient temperatures of SN: 10-32°C, N:16-32°C, ST: 18-38°C, T: 18-43°C

BUILT-IN COOLING: FRIDGE-FREEZERS

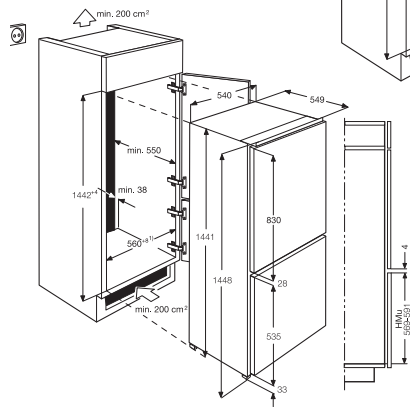
ZBB27650SA / ZBB27450SA



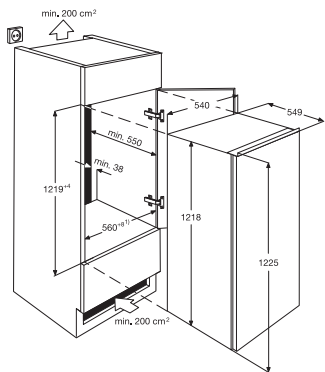
ZBB28651SA / ZBB28441SA



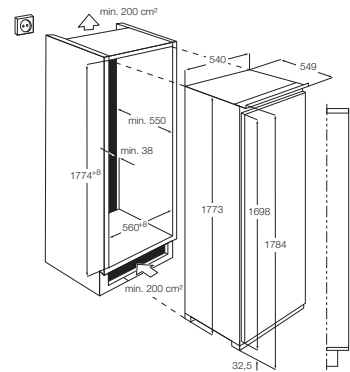
ZBB24431SA



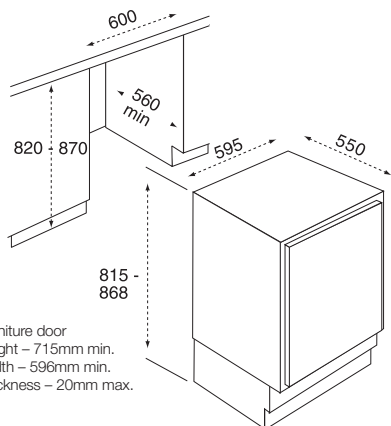
ZBA22421SA



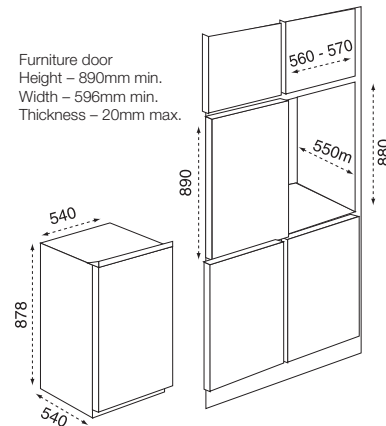
ZBA32050SA / ZBF22451SA



ZQA12430DA / ZQA14030DA / ZQF11430DA



ZBA15021SA / ZBF11421SA



COOLING



EASY COOKING

Our freestanding cookers and microwaves are full of ways to make it easy to cook a delicious meal, whether it's just for you or for friends and family. So you have more time to sit back and relax.



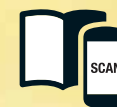
EASY TIPS

Place a wooden spoon over your pot and it will stop the water from boiling over.

  Follow the #EasyTeam easy-tips.tumblr.com



DOWNLOAD FREE
LAYAR APP



SCAN PAGES WITH
LAYAR LOGO



DISCOVER MORE

Freestanding cookers	74
Range style cookers	86
Built-in ovens	92
Built-in compacts and microwaves	108
How they compare	112
Hobs	130
How they compare	146
Hoods	158
How they compare	164

A GUIDE TO OUR COOKING ICONS

What do the new Zanussi cooking appliances do and why? Here's your quick guide to our handy functions and features.



FAST



ThermaFlow®

Imagine the convenience of being able to cook your main meal, pudding and garlic bread at the same time. The clever placement of the fan ensures no transfer of flavour or taste from one dish to another. Lower cooking temperatures and shorter cooking times, helps you save time and money.



Auto Cook

Ideal if you want to come home to a hot meal, some of our ovens have a fully programmable timer which can cook your food and automatically switch off when you tell it too, giving you more time to relax.



Thermal Grilling

Relax at the weekend with a hassle-free traditional all day breakfast. Thermal grilling uses the fan and grill to cook all your food at once without needing to turn it, saving you time!



Defrost

So gentle it doesn't even melt cream, delicate foods like gateau can be defrosted in half the time!



HANDY



Pizza Oven

Bring Italy to your home, creating delicious Italian style pizzas with crisp bases and moist melted toppings every time. Not limited to pizzas, this oven will also give wonderful results for flans and quiches.



Top Heat

For a mouth-watering finish to foods like lemon meringue and shepherds pie, top heat browns gently for great results.



Bottom Heat

Great for re-heating pies and pasties, bottom heat keeps the base crispy. At low temperatures, it's ideal for plate warming too.



Catalytic Liners

These special liners on the top, sides and back of the oven absorb grease and at high temperatures the grease oxidises. A great help with cleaning the oven, saving you time.



Slow Cook

Come home to a tasty casserole or slow roast with the convenience of Zanussi's slow cook.



MultiZone Oven

MultiZone oven, hotter at the top, cooler at the bottom - ideal for cooking Sunday lunch.

WHAT TO LOOK OUT FOR...



Fast. Clever Zanussi features to get things done quicker.



Handy. The things you couldn't live without.



Simple. The touches that make Zanussi so easy to use.



Smart. Practical solutions from great Zanussi thinking.



SIMPLE



Cooler to Touch

For added safety our oven doors are air cooled, reducing the external touch temperature.



Conventional

Great for one shelf cooking. This oven is hotter at the top and cooler at the bottom.



Grilling

Cook large or small portions in a healthy and convenient way with the full or economy grill setting.



Induction

Induction cooking is nearly twice as fast as using gas. Go from simmering to boiling in an instant. Plus it's really safe to use and so easy to clean, the ultimate convenience in hob cooking.



SMART



A-20% Energy Rating

A-20% means 20% more efficient than A rating for super efficiency.



25% Steam

By using 25% Steam in your normal cooking process, you ensure that you get succulent and moist food on the inside whilst getting the golden brown colour/crust on the outside.



Fingerprint Proof Stainless Steel

Zanussi ovens feature a special anti-fingerprint finish which means even in the busiest kitchens our oven stays free from messy finger marks.



Large Cavity

Some of our cookers feature a large-capacity main oven, which is specially designed to cook several different dishes at once, taking all the stress out of preparing a meal.



Multifunction Cooking Options

Make cooking a more enjoyable part of your life with a multifunction oven, which combines the benefit of fan and conventional ovens with additional functions like pizza and thermal grilling. Experiment and get the best results for all your different recipes and dishes.

FREESTANDING COOKERS MADE EASY

SCAN WITH
layar



FAMILY SIZED CAPACITY

You can cook more in one go with our new range of freestanding cookers. Whether it's starters, main and dessert or up to three large pizzas all at once, our XXL oven cavity offers a choice of 5 shelf positions with three cooking levels, flexibility for any occasion.

EASY TO CLEAN

Special catalytic liners on the top, sides and back of the oven absorb grease and at high temperatures the grease oxidises. A great help with cleaning the oven, saving you time.



PERFECT COOKING RESULTS

Imagine the convenience of being able to cook your main meal, pudding and garlic bread at the same time. The clever placement of the fan ensures no transfer of flavour or taste from one dish to another. Lower cooking temperatures and shorter cooking times also mean you won't overcook your food.



RESPONSIVE HEAT

Induction cooking is nearly twice as fast as using gas. Go from simmering to boiling in an instant. Plus it's really safe to use and so easy to clean, the ultimate convenience in hob cooking. Our ceramic hobs are also quick at heating-up, getting to full heat in 5 seconds



COOKING

FREESTANDING COOKING: ELECTRIC COOKERS

ZCI660MXC / WC / BC



Induction cooking is nearly twice as fast as using gas. Go from simmering to boiling in an instant. Plus it's really safe to use and so easy to clean, the ultimate convenience in hob cooking.

Ideal if you want to come home to a hot meal, Auto Cook is a fully programmable timer which can cook your food and automatically switch off when you tell it to, giving you more time to relax.

Cooker features

- 4 Fast Induction zones in 2 sizes with zone timers and Stop+Go
- ThermaFlow® fan cooking system for faster, even cooking
- Fully programmable main oven timer
- Catalytic liners for assisted cleaning

Top cavity features

- Large 37 litre top oven
- Conventional cooking
- Full width electric grill

Main oven features

- Large 72 litre main oven
- ThermaFlow® Fan cooking system
- Fan controlled defrosting

Additional specification

- Angled control panel for easy cleaning and clearer temperature control
- Full width grill / roasting pan
- Easy to clean ceramic surface
- Air cooled double glazed doors
- Removable glass panes to aid cleaning

Colour Options

ZCI660MXC - Stainless steel
ZCI660MWC - White
ZCI660MBC - Black



ZCV66AEWC / XC



Make cooking a more enjoyable part of your life with this multifunction oven, which combines the benefit of fan and conventional ovens with additional functions like pizza and thermal grilling. Experiment and get the best results for all your different recipes and dishes.

Ideal if you want to come home to a hot meal, Auto Cook is a fully programmable timer which can cook your food and automatically switch off when you tell it to, giving you more time to relax.

Cooker features

- 4 quick heat Ceramic zones in 2 sizes
- Multifunction cooking options
- ThermaFlow® fan cooking system for faster, even cooking
- Fully programmable main oven timer
- Catalytic liners for assisted cleaning

Top cavity features

- Large 37 litre top oven
- Conventional cooking
- Full width electric grill

Main oven features

- Large 68 litre main oven
- 7 cooking functions including ThermaFlow® Fan cooking system, and fan defrosting

Additional specification

- Angled control panel for easy cleaning and clearer temperature control
- Full width grill / roasting pan
- Easy to clean ceramic surface
- Hot hob indicator
- Air cooled double glazed doors
- Removable glass panes to aid cleaning

Colour Options

ZCV66AEWC - White
ZCV66AEXC - Stainless steel



FREESTANDING COOKING: ELECTRIC COOKERS

ZCV667MXC / NC / ZCV665MWC



Ideal if you want to come home to a hot meal, Auto Cook is a fully programmable timer which can cook your food and automatically switch off when you tell it to, giving you more time to relax.

ThermaFlow® fan oven, the clever placement of the fan ensures no transfer of flavour from one dish to another. Lower cooking temperatures and shorter cooking times, help you save time and money.

Cooker features

- 4 quick heat Ceramic zones in 2 sizes
- ThermaFlow® fan cooking system for faster, even cooking
- Fully programmable main oven timer
- Catalytic liners for assisted cleaning

Top cavity features

- Large 37 litre top oven
- Conventional cooking
- Full width electric grill

Main oven features

- Large 72 litre main oven
- ThermaFlow® Fan cooking system
- Fan controlled defrosting

Additional specification

- Angled control panel for easy cleaning and clearer temperature control
- Full width grill / roasting pan
- Easy to clean ceramic surface
- Hot hob indicator
- Air cooled double glazed doors
- Removable glass panes to aid cleaning

Colour Options

- ZCV667MXC - Stainless steel
- ZCV667MNC - Black
- ZCV665MWC - White



ZCV668MW / X / N



ThermaFlow® fan oven, the clever placement of the fan ensures no transfer of flavour from one dish to another. Lower cooking temperatures and shorter cooking times, help you save time and money.

The family size capacity of this cooker offers a choice of 5 shelf positions with three cooking levels, flexibility for any occasion.

Cooker features

- 4 quick heat Ceramic zones in 2 sizes
- ThermaFlow® fan cooking system for faster, even cooking
- Enamel liners for assisted cleaning

Top cavity features

- Large 37 litre top oven
- Conventional cooking
- Full width electric grill

Main oven features

- Large 72 litre main oven
- ThermaFlow® Fan cooking system
- Fan controlled defrosting

Additional specification

- Angled control panel for easy cleaning and clearer temperature control
- Full width grill / roasting pan
- Easy to clean ceramic surface
- Hot hob indicator
- Air cooled double glazed doors
- Removable glass panes to aid cleaning

Colour Options

- ZCV668MW - White
- ZCV668MX - Stainless steel
- ZCV668MN - Black



FREESTANDING COOKING: ELECTRIC COOKERS

ZCV551MXC / WC / NC



Ideal if you want to come home to a hot meal, Auto Cook is a fully programmable timer which can cook your food and automatically switch off when you tell it to, giving you more time to relax.

ThermaFlow® fan oven, the clever placement of the fan ensures no transfer of flavour from one dish to another. Lower cooking temperatures and shorter cooking times, help you save time and money.

Cooker features

- 4 quick heat Ceramic zones in 2 sizes
- ThermaFlow® fan cooking system for faster, even cooking
- Fully programmable main oven timer
- Catalytic liners for assisted cleaning

Top cavity features

- Large 37 litre top oven
- Conventional cooking
- Full width electric grill

Main oven features

- Large 72 litre main oven
- ThermaFlow® Fan cooking system
- Fan controlled defrosting

Additional specification

- Angled control panel for easy cleaning and clearer temperature control
- Full width grill / roasting pan
- Easy to clean ceramic surface
- Hot hob indicator
- Air cooled double glazed doors
- Removable glass panes to aid cleaning

Colour Options

ZCV551MXC - Stainless steel
ZCV551MWC - White
ZCV551MNC - Black



ZCV554MW / X / N



ThermaFlow® fan oven, the clever placement of the fan ensures no transfer of flavour from one dish to another. Lower cooking temperatures and shorter cooking times, help you save time and money.

The family size capacity of this cooker offers a choice of 5 shelf positions with three cooking levels, flexibility for any occasion.

Cooker features

- 4 quick heat Ceramic zones in 2 sizes
- ThermaFlow® fan cooking system for faster, even cooking
- Enamel liners for assisted cleaning

Top cavity features

- Large 37 litre top oven
- Conventional cooking
- Full width electric grill

Main oven features

- Large 72 litre main oven
- ThermaFlow® Fan cooking system
- Fan controlled defrosting

Additional specification

- Angled control panel for easy cleaning and clearer temperature control
- Full width grill / roasting pan
- Easy to clean ceramic surface
- Hot hob indicator
- Air cooled double glazed doors
- Removable glass panes to aid cleaning

Colour Options

ZCV554MW - White
ZCV554MX - Stainless steel
ZCV554MN - Black



FREESTANDING COOKING: GAS COOKERS

ZCG664GXC / NC / WC



This cooker has special liners on the top, sides and back of the ovens which absorb grease. At high temperatures the grease oxidises. A great help with cleaning the oven and saves you time!

Electronic minute minder, great for reminding you to check on the progress of your meal and acts as a clock too.

Cooker features

- 4 Gas burners in 3 sizes
- MultiZone cooking system, hotter at the top and cooler at the bottom
- Electronic minute minder
- Catalytic liners for assisted cleaning

Top cavity features

- Large 34 litre top oven
- Allows you to cook traditional food with perfect results
- Full width gas grill

Main oven features

- Large 77 litre main oven

Additional specification

- Angled control panel for easy cleaning and clearer temperature control
- Full width grill / roasting pan
- Automatic Ignition for instantaneous oven and hob gas lighting
- Air cooled double glazed doors
- Gas safety cut out system
- Removable glass panes to aid cleaning

Colour Options

- ZCG664GXC - Stainless steel
- ZCG664GNC - Black
- ZCG664GWC - White



ZCG669GW / X / N



The family size capacity of this cooker offers a choice of 5 shelf positions with three cooking levels, flexibility for any occasion.

The Multizone gas ovens are perfect for traditional cooking, hotter at the top, cooler at the bottom - Ideal for cooking Sunday lunch.

Cooker features

- 4 Gas burners in 3 sizes
- MultiZone cooking system, hotter at the top and cooler at the bottom
- Enamel liners for assisted cleaning

Top cavity features

- Large 34 litre top oven
- Allows you to cook traditional food with perfect results
- Full width gas grill

Main oven features

- Large 77 litre main oven

Additional specification

- Angled control panel for easy cleaning and clearer temperature control
- Full width grill / roasting pan
- Automatic Ignition for instantaneous oven and hob gas lighting
- Air cooled double glazed doors
- Gas safety cut out system
- Removable glass panes to aid cleaning

Colour Options

- ZCG669GW - White
- ZCG669GX - Stainless steel
- ZCG669GN - Black



FREESTANDING COOKING: GAS COOKERS

ZCG552GXC / NC / WC



This cooker has special liners on the top, sides and back of the ovens which absorb grease. At high temperatures the grease oxidises. A great help with cleaning the oven and saves you time!

Electronic minute minder, great for reminding you to check on the progress of your meal and acts as a clock too.

Cooker features

- 4 Gas burners in 3 sizes
- MultiZone cooking system, hotter at the top and cooler at the bottom
- Electronic minute minder
- Catalytic liners for assisted cleaning

Top cavity features

- Large 34 litre top oven
- Allows you to cook traditional food with perfect results
- Full width gas grill

Main oven features

- Large 77 litre main oven

Additional specification

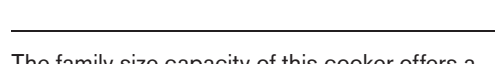
- Angled control panel for easy cleaning and clearer temperature control
- Full width grill / roasting pan
- Automatic Ignition for instantaneous oven and hob gas lighting
- Air cooled double glazed doors
- Gas safety cut out system
- Removable glass panes to aid cleaning

Colour Options

ZCG552GXC - Stainless steel
ZCG552GNC - Black
ZCG552GWC - White



ZCG55WGW / X / N



The family size capacity of this cooker offers a choice of 5 shelf positions with three cooking levels, flexibility for any occasion.

The Multizone gas ovens are perfect for traditional cooking, hotter at the top, cooler at the bottom - Ideal for cooking Sunday lunch.

Cooker features

- 4 Gas burners in 3 sizes
- MultiZone cooking system, hotter at the top and cooler at the bottom
- Enamel liners for assisted cleaning

Top cavity features

- Large 34 litre top oven
- Allows you to cook traditional food with perfect results
- Full width gas grill

Main oven features

- Large 77 litre main oven

Additional specification

- Angled control panel for easy cleaning and clearer temperature control
- Full width grill / roasting pan
- Automatic Ignition for instantaneous oven and hob gas lighting
- Air cooled double glazed doors
- Gas safety cut out system
- Removable glass panes to aid cleaning

Colour Options

ZCG55WGW - White
ZCG55WGX - Stainless steel
ZCG55WGN - Black



FREESTANDING COOKING: DUAL FUEL COOKER

ZCK68300W / X / B



This dual fuel cooker provides the best of both, combining a gas hob which offers fast heat and is easy to control and electric ovens with ThermaFlow® technology giving you an even heat distribution throughout the oven.

Ideal if you want to come home to a hot meal, Auto Cook is a fully programmable timer which can cook your food and automatically switch off when you tell it to, giving you more time to relax.

Cooker features

- 4 Gas burners in 3 sizes
- ThermaFlow® fan cooking system for faster, even cooking
- Fully programmable main oven timer
- Catalytic liners for assisted cleaning

Top cavity features

- Large 37 litre top oven
- Allows you to cook traditional food with perfect results
- Full width gas grill

Main oven features

- Large 72 litre main oven
- ThermaFlow® Fan cooking system
- Fan controlled defrosting

Additional specification

- Angled control panel for easy cleaning and clearer temperature control
- Full width grill / roasting pan
- Automatic Ignition for instantaneous oven and hob gas lighting
- Air cooled double glazed doors
- Gas safety cut out system
- Removable glass panes to aid cleaning

Colour Options

- ZCK68300X - Stainless steel
- ZCK68300B - Black
- ZCK68300W - White



FREESTANDING COOKING: RANGE STYLE COOKERS

ZCK18307XA



This dual fuel cooker provides the best of both, combining a gas hob which offers fast heat and is easy to control and electric ovens with ThermaFlow® technology giving you an even heat distribution throughout the oven.

Make cooking a more enjoyable part of your life with this multifunction oven, which combines the benefit of fan and conventional ovens with additional functions like pizza and thermal grilling. Experiment and get the best results for all your different recipes and dishes.

Cooker features

- 5 Gas burners in 4 sizes
- ThermaFlow® fan cooking system for even, faster cooking
- Fully programmable main oven timer

Left oven features

- Large 62 litre left main oven
- 7 cooking functions including ThermaFlow® fan cooking system and fan defrosting

Right oven features

- Large 53 litre right oven
- Conventional cooking
- Full width electric grill

Additional specification

- Metal shelf supports aid loading / unloading
- Automatic Ignition for instantaneous hob gas lighting
- Air cooled double glazed doors
- Gas safety cut out system



Colour Options

ZCK18307XA - Stainless steel

ZCK98307XA



This dual fuel cooker provides the best of both, combining a gas hob which offers fast heat and is easy to control and electric ovens with ThermaFlow® technology giving you an even heat distribution throughout the oven.

Make cooking a more enjoyable part of your life with this multifunction oven, which combines the benefit of fan and conventional ovens with additional functions like pizza and thermal grilling. Experiment and get the best results for all your different recipes and dishes.

Cooker features

- 5 Gas burners in 4 sizes
- ThermaFlow® fan cooking system for even, faster cooking
- Fully programmable main oven timer

Left oven features

- Large 62 litre left main oven
- 7 cooking functions including ThermaFlow® fan cooking system and fan defrosting

Right oven features

- Large 53 litre right oven
- Conventional cooking
- Full width electric grill

Additional specification

- Metal shelf supports aid loading / unloading
- Automatic Ignition for instantaneous hob gas lighting
- Air cooled double glazed doors
- Gas safety cut out system

Colour Options

ZCK98307XA - Stainless steel



BUILT-IN OVENS MADE EASY

SCAN WITH
layar



COOK MORE IN ONE GO

Can they cook more in one go? Yes, such as a roast chicken and a leg of lamb at the same time. Or up to five large pizzas. And with the largest baking tray (25% bigger than standard), you can also bake more at once. Our ovens have up to five shelf positions, for even more flexibility.



XXL BAKING TRAY

THE OVEN CLEANS ITSELF

Never scrub again! Set the Auto Cleaning function and your oven cavity will heat up to 500°C, reducing fat/grease into fine ash that is easily wiped away. Our range also offers a choice of models with easy to clean enamel, or catalytic liners that oxidise grease and food residue to make cleaning easy.

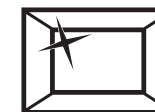
1 ONE TOUCH



2 AUTO CLEAN



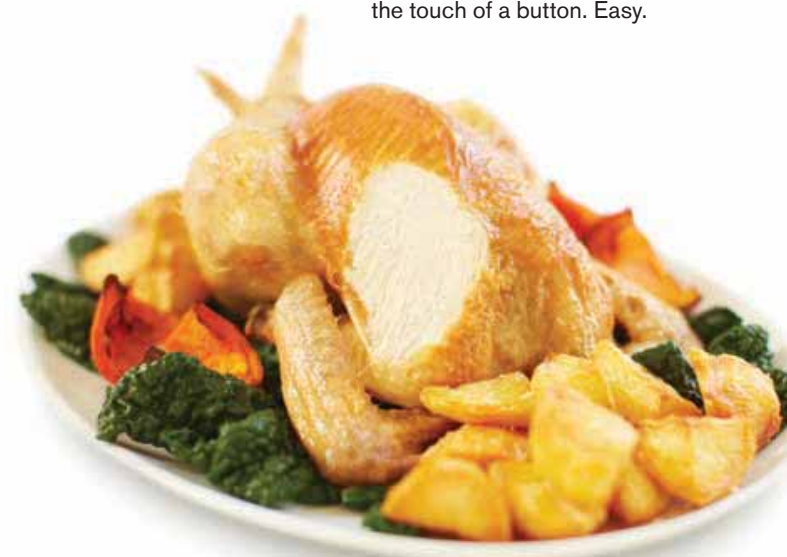
3 WIPE AND RELAX



STEAM COOKING



Steam cooking brings out more taste as it locks in flavours, juices and the natural goodness of food. Simply add steam to hot air to cook mouth-watering meals. Now you can enjoy steam and heat in combination, and conventional cooking too, all in one single oven. Just switch between conventional cooking and added steam at the touch of a button. Easy.

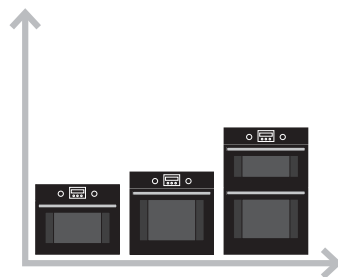


COOKING

5 EASY TIPS FOR CHOOSING YOUR OVEN

These five easy tips should help you find the oven that suits your kitchen, your food and the way you like to cook.

1 WHAT SIZE DO YOU NEED?



- Just measure the space you've got available in your kitchen to see whether a Single, Double or Compact size is the best fit.
- The main difference between sizes is their height (Single = 60cm tall; Double = 72cm or 80cm; Compact = 45cm) and capacity – their depths and widths are pretty much the same.

2 WHERE WILL THE OVEN GO?



- You've got two basic choices for the position of your oven: built-in to a cabinet above waist height or built-under a worktop below waist height.
- With built-in ovens, a model with a swing door allows you to stand closer for easier putting in and taking out of dishes.

3 HOW DO YOU COOK YOUR FOOD?



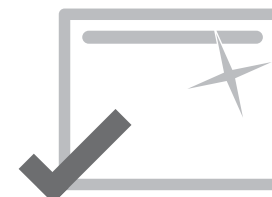
- If you do a lot of grilling, choose an oven with a separate grill to get more space and flexibility.
- If you like roasting your food, a conventional oven is ideal.
- If you're into baking or want speedy oven cooking, fan ovens not only cook more evenly, but heat up 25% quicker.
- Like grilling and roasting and baking? No problem. Choose a multifunction oven and you can cook whichever way you want.
- If you'd like to get even more flavour and nutrients from your food, go for an oven with the extra Steam option – they're also ideal for defrosting.

4 HOW MUCH DO YOU COOK?



- An oven's capacity is the usable size of its cavity, measured in litres – the bigger your meals, the more capacity you'll need.
- For meals for 1-2 people, a capacity of 35-40 litres is fine.
- For 3-4 people, go for 40-70 litres.
- For 4 or more people, choose a 70+ litre capacity.
- The number of shelves also affects how much you can cook at a time. If they are removable, the more shelves the better.

5 EASY CLEANING?



- If cleaning isn't your thing, choose an easy cleaning oven.
- Models with catalytic liners absorb grease and fat splashes, and the liners can be replaced when they eventually need to be.
- Top range models use a high temperature pyrolytic system which turns dirt into ash that you simply wipe away – apart from the cloth for wiping away the ash, no cleaning products are needed.

COOKING: SINGLE OVENS

ZOS37902XD



By using 25% Steam in your normal cooking process you ensure that you get succulent and moist food on the inside, whilst getting the golden brown colour/crust on the outside.

Bake, Grill, Roast and Steam with this oven.



Specifications

- Quarter steam function
- Extra large oven capacity
- Fully programmable oven timer with amber LEDs
- ThermaFlow® fan cooking, saving you time
- Multifunction oven, including Pizza oven and Thermal grilling
- Fan controlled defrosting
- Full variable grill
- 2 oven shelves
- Bright oven light
- Air cooled triple glazed door
- Please ensure you always grill with the oven door closed for safety and economy

Colour Options

ZOS37902XD - Stainless Steel

For installation diagrams see page 122

ZOP38903XD



Imagine an oven that cleans itself! At the touch of a button this pyrolytic oven cleans itself, leaving behind only a fine ash, which can be simply wiped away.

Make cooking a more enjoyable part of your life with a multifunction oven, which combines the benefits of the fan and conventional oven for added flexibility.



Specifications

- Extra large oven capacity
- Fully programmable oven timer with amber LEDs
- ThermaFlow® fan cooking, saving you time
- Simple push button digital controls with large display
- Multifunction oven, including Pizza oven and Thermal grilling
- Fan controlled defrosting
- Full variable grill
- Fast heat-up function
- Air cooled quadruple glazed door
- 2 oven shelves
- Bright oven light
- Child lock for added safety
- Please ensure you always grill with the oven door closed for safety and economy

Colour Options

ZOP38903XD - Stainless Steel

For installation diagrams see page 122

COOKING: SINGLE OVENS

ZOP37962XA



Imagine an oven that cleans itself! At the touch of a button this pyrolytic oven cleans itself, leaving behind only a fine ash, which can be simply wiped away.

The temperature of the door and frame on this oven always stay safely low.

Specifications

- Extra large oven capacity
- Fully programmable oven timer with amber LEDs
- ThermaFlow® fan cooking, saving you time
- Multifunction oven, including Pizza oven and Thermal grilling
- Fan controlled defrosting
- Full variable grill
- 2 oven shelves
- Bright oven light
- Air cooled triple glazed door
- Please ensure you always grill with the oven door closed for safety and economy

Colour Options

ZOP37962XA - Stainless Steel
ZOP37902BK - Black



For installation diagrams see page 122

ZOA35802XD



Make cooking a more enjoyable part of your life with a multifunction oven, which combines the benefits of the fan and conventional oven for added flexibility.

ThermaFlow® fan cooking, the clever placement of the fan ensures no transfer of flavour from one dish to another. Lower cooking temperatures and shorter cooking times, help you save time and money.

Specifications

- Extra large oven capacity
- Heat activated Catalytic liners, a great help with cleaning
- Retractable oven controls
- Multifunction oven, including Pizza oven and Thermal grilling
- Fan controlled defrosting
- Full variable grill
- Fully programmable oven timer with amber LEDs
- Bright oven light
- 2 oven shelves
- Air cooled double glazed door
- Please ensure you always grill with the oven door closed for safety and economy

Colour Options

ZOA35802XD - Stainless Steel
ZOA35802BK - Black



For installation diagrams see page 122

COOKING: SINGLE OVENS

ZOA35502XD



Make cooking a more enjoyable part of your life with a multifunction oven, which combines the benefits of the fan and conventional oven for added flexibility.

Specifications

- Extra large oven capacity
- ThermaFlow® fan cooking, saving you time
- Retractable oven controls
- Fan controlled defrosting
- Full variable grill
- Economy variable grill
- Fully programmable oven timer with amber LEDs
- Heat activated catalytic liners, a great help with cleaning
- Air cooled double glazed door
- 2 oven shelves
- Bright oven light
- Please ensure you always grill with the oven door closed for safety and economy

Colour Options

ZOA35502XD - Stainless Steel



ZOB35302XA



Auto Cook is ideal if you want to come home to a hot meal, some of our ovens have a fully programmable timer which can cook your food and automatically switch off when you tell it too, giving you more time to relax.

Specifications

- Extra large oven capacity
- ThermaFlow® fan cooking, saving you time
- Retractable oven controls
- Fan controlled defrosting
- Full variable grill
- Fully programmable oven timer with amber LEDs
- Bright oven light
- Clean 'n' clear enamel interior
- Air cooled double glazed door
- Please ensure you always grill with the oven door closed for safety and economy

Colour Options

ZOB35302XA - Stainless Steel
ZOB35301WK - White
ZOB35301BK - Black



ZOB31301XK



With simple controls that give excellent results, this functional oven offers stress free food!

Specifications

- Extra large oven capacity
- ThermaFlow® fan cooking, saving you time
- Retractable oven controls
- Fan controlled defrosting
- Minute minder
- Variable grill
- 2 oven shelves
- Clean 'n' clear enamel interior
- Air cooled double glazed door
- Please ensure you always grill with the oven doors closed for safety and economy

Colour Options

ZOB31301XK - Stainless Steel
ZOB31301WK - White

For installation diagrams see page 122

For installation diagrams see page 122

For installation diagrams see page 122

COOKING: SINGLE OVENS



ZOA35525XK



Side opening oven door with hinge on the left hand side. Allows easy access to the food.

Specifications

- Multifunction oven
- Heat activated Catalytic liners, a great help with cleaning
- ThermaFlow® fan cooking, saving you time
- Rotary oven controls
- Fan controlled defrosting
- Full variable grill
- Turbo grilling
- Fully programmable oven timer with red LEDs
- Air cooled double glazed door
- Please ensure you always grill with the oven door closed for safety and economy

Colour Options

ZOA35525XK - Stainless Steel
right sided handle
ZOA35525WK - White
right sided handle

For installation diagrams see page 122



ZOA35526XK



Side opening oven door with hinge on the right hand side. Allows easy access to the food.

Specifications

- Multifunction oven
- Heat activated Catalytic liners, a great help with cleaning
- ThermaFlow® fan cooking, saving you time
- Rotary oven controls
- Fan controlled defrosting
- Full variable grill
- Turbo grilling
- Fully programmable oven timer with red LEDs
- Air cooled double glazed door
- Please ensure you always grill with the oven door closed for safety and economy

Colour Options

ZOA35526XK - Stainless Steel
left sided handle
ZOA35526WK - White
left sided handle

For installation diagrams see page 122



COOKING: BUILT-IN DOUBLE OVEN

ZOD35712XK



Two cavities provides you with more space and gives you the option to bake and grill at the same time.

Make cooking a more enjoyable part of your life with a multifunction oven, which combines the benefits of the fan and conventional oven for added flexibility.

Specifications

- Retractable oven controls
- Heat activated catalytic cleaning
- Fully programmable timer with amber LEDs
- Air cooled double glazed door

Top Oven Functions

- 5 top oven functions, including:
 - Bottom heat
 - Top heat
 - Conventional cooking
 - Economy variable grill
- 1 oven shelf

Main Oven Functions

- 7 main oven functions, including:
 - Thermal grilling
 - Top heat
 - Bottom heat
 - ThermaFlow® fan operated cooking
 - Conventional cooking
 - Economy variable grill
- 2 oven shelves
- Please ensure you always grill with the oven door closed for safety and economy

Colour Options

ZOD35712XK - Stainless Steel
ZOD35712BK - Black



COOKING: BUILT-IN/UNDER COUNTER DOUBLE OVENS

ZOD55512XA



Two cavities provides you with more space and gives you the option to bake and grill at the same time.

ThermaFlow® fan cooking ensures no transfer of flavour from one dish to another. Lower cooking temperatures and shorter cooking times, help you save time and money.

Specifications

- Rotary oven controls
- Fully programmable timer with amber LEDs
- Clean 'n' clear enamel interior in both ovens
- Air cooled double glazed door

Top Oven Functions

- 5 top oven features, including:
 - Economy variable grill
 - Conventional cooking
 - Bottom heat
 - Top heat
- 1 oven shelf

Main Oven Functions

- 2 main oven functions:
 - ThermaFlow® fan operated cooking
 - Defrost
- Full width grill/meat pan
- 2 oven shelves
- Please ensure you always grill with the oven door closed for safety and economy

Colour Options

ZOD55512XA - Stainless Steel
ZOD35511WK - White



COOKING: UNDER COUNTER DOUBLE OVENS

ZOF35712XK



Make cooking a more enjoyable part of your life with a multifunction oven, which combines the benefits of the fan and conventional oven for added flexibility.

ThermaFlow® fan cooking ensures no transfer of flavour from one dish to another. Lower cooking temperatures and shorter cooking times, help you save time and money.

Specifications

- Heat activated catalytic liners, a great help with cleaning
- Retractable oven controls
- Fully programmable timer with amber LEDs
- Air cooled double glazed door

Top Oven Functions

- 7 top oven features:
 - Conventional cooking
 - Economy variable grilling
 - Bottom heat
 - Top heat
- 1 oven shelf

Main Oven Functions

- 5 main oven features, including:
 - Pizza oven
 - Thermal grilling
 - ThermaFlow® fan operated cooking
 - Economy variable grill
 - Top heat
 - Bottom heat
- Full width grill/meat pan
- 2 oven shelves
- Air cooled double glazed door
- Please ensure you always grill with the oven door closed for safety and economy

Colour Options

ZOF35712XK - Stainless Steel



For installation diagrams see page 122



ZOF35511XK



ThermaFlow® fan cooking ensures no transfer of flavour from one dish to another. Lower cooking temperatures and shorter cooking times, help you save time and money.

Two cavities provides you with more space and gives you the option to bake and grill at the same time.

Specifications

- Heat activated catalytic liners, a great help with cleaning
- Rotary oven controls
- Fully programmable timer with amber LEDs
- Air cooled double glazed door

Top Oven Functions

- 5 top oven features, including:
 - Economy variable grill
 - Conventional cooking
 - Bottom heat
 - Top heat
- 1 oven shelf

Main Oven Functions

- 2 main oven functions:
 - ThermaFlow® fan operated cooking
 - Defrost
- Full width grill/meat pan
- 2 oven shelves
- Please ensure you always grill with the oven door closed for safety and economy

Colour Options

ZOF35511XK - Stainless Steel
ZOF35511WK - White

For installation diagrams see page 122



ZOE35511XK



Two cavities provides you with more space and gives you the option to bake and grill at the same time.

ThermaFlow® fan cooking ensures no transfer of flavour from one dish to another. Lower cooking temperatures and shorter cooking times, help you save time and money.

Specifications

- Rotary oven controls
- Fully programmable timer with amber LEDs
- Clean 'n' clear enamel liners
- Air cooled double glazed door

Top Oven Functions

- 5 top oven features, including:
 - Conventional cooking
 - Economy variable grill
 - Bottom heat
 - Top heat
- 1 oven shelf

Main Oven Functions

- 2 main oven functions:
 - ThermaFlow® fan operated cooking
 - Defrost
- Full width grill/meat pan
- 2 oven shelves
- Please ensure you always grill with the oven door closed for safety and economy

Colour Options

ZOE35511XK - Stainless Steel

For installation diagrams see page 122

BUILT-IN COMPACTS & MICROWAVES MADE EASY

SCAN WITH
layar

DESIGN ALIGNMENT

The control panel height, the user interface, handles and trays are fully aligned across the compact range. The design is also aligned with the standard size oven giving you more flexibility to design your kitchen.

EASY FEATURES

Cool to touch door. Anti-finger print stainless steel. Easy to clean enamel cavity. Easy to clean inner door. Some of our models have pop-in, pop-out knobs that leave a smooth, easy-to-wipe surface.

COMBI

Size does not always matter! This compact oven offers the same multi-function cooking possibilities you'll find in larger models, and also features all the benefits of a built-in microwave oven. Perfect for those who have limited space, but want maximum cooking ease and convenience.



MULTIPLUS

Get more from your Multiplus oven at any cooking level. The Multiplus oven with ring element offers the ideal cooking function for any recipe, and its even heat distribution system lets you cook on several levels at once.



BAKE, ROAST - OR GRILL!

This versatile, compact little oven boasts a great grill function, so whether you need to bake, roast or grill, it's got it covered.



A GUIDE TO OUR MICROWAVE ICONS

What do the new Zanussi Quadro™ microwave appliances do and why? Here's your quick guide to our handy functions and features.

WHAT TO LOOK OUT FOR...

-  **Fast.** Clever Zanussi features to get things done quicker.
-  **Handy.** The things you couldn't live without.
-  **Simple.** The touches that make Zanussi so easy to use.
-  **Smart.** Practical solutions from great Zanussi thinking.



FAST



Microwave

An invaluable asset in your kitchen, a microwave cooks food quickly and safely, with low energy consumption saving you money.



HANDY



Microwave and Grill

Great for your Sunday breakfast or cheese on toast, the dual microwave and grill option offers traditional grilling and browning in a fraction of the usual time.



SIMPLE



Grill

The efficiency of closed door grilling with all Zanussi microwaves allows you to cook large or small portions in a healthy and convenient way.



SMART



Auto Programmes

Take the guesswork away with Zanussi's auto programmes, designed to cook or defrost your food at the touch of a button.



Combination Microwave

Ideal for traditional baking and roasting, combining the microwave with a fan oven allows you to cook in half the time.



ThermaFlow® Fan Cooking

The clever placement of the fan ensures no transfer of flavour or taste from one dish to another. Lower cooking temperatures and shorter cooking times helps you save time and money.

BUILT-IN COOKING: MICROWAVES

ZKC44500XA



Our modern Quadro™ design with drop down door looks stylish in any setting but especially when combined, in column, with a Zanussi Quadro™ oven.



Specifications

- Extra large family sized microwave, giving you the added flexibility of being able to cook more at one time
- Microwave and ThermaFlow® fan cooking
- 5 auto defrost by weight programmes
- 1500w hinged grill
- 24 hour digital clock in amber LED with auto timer
- Quick start function
- Audible cooking end signal
- Internal halogen light
- Stainless steel interior
- Drop down oven door
- Accessories include glass microwave dish, baking tray and grill

Colour Options

ZKC44500XA - Stainless steel

For installation diagrams see page 122



ZBG26542XA



The smart electronic controls make it easy to select the right programme.

Specifications

- 8 auto cook by weight programmes
- 7 auto defrost by weight programmes
- 1000w hinged grill
- 24 hour digital clock in amber LED with auto timer
- Quick start function at full power in 30 second intervals
- Child lock - for safety
- Audible cooking end signal
- Stainless steel interior
- Rectangular grill rack
- Internal light

Colour Options

ZBG26542XA - Stainless steel

For installation diagrams see page 122



ZBM26542XA



An invaluable asset in your kitchen, a microwave cooks food quickly and safely, with low energy consumption saving you money.

Specifications

- 7 auto cook by weight programmes and 4 auto defrost by weight programmes
- 7 auto defrost by weight programmes
- Electronic controls
- 24 hour digital clock in amber LED with auto timer
- Quick start function at full power in 30 second intervals
- Child lock - for safety
- Audible cooking end signal
- Internal light
- Easy clean interior
- Push button door opening

Colour Options

ZBM26542XA - Stainless steel

ZBM26542BA - Black

For installation diagrams see page 122

BUILT-IN COOKING: MICROWAVES

ZSC25259XA



All in one solution for heating, cooking and grilling in a compact size.

Thanks to the multiple cooking stages you simply set the sequence you need such as defrost - cook - grill, your microwave oven will do the job for you.



Specifications

- Convection microwave with grill
- Auto defrost by time and weight programme
- Reheat programme
- Electronic push button controls with rotary knob
- 24 hour digital clock with Amber LED
- Automatic timer
- Audible cooking end signal
- Hinged Quartz grill
- Easy clean stainless steel interior
- Push button door opening
- Glass turntable
- 25 Litre gross capacity

Colour Options

ZSC25259XA - Stainless steel



ZSG25224XA



Take the guesswork away and select the automatic programmes designed to defrost, cook or reheat your food at the touch of a button.

Get your food ready on time! With the timer function you can easily define when you want your food to be ready.

Specifications

- Solo microwave with grill
- Auto defrost by time and weight programme
- Reheat programme
- Electronic push button controls with rotary knob
- 24 hour digital clock with Amber LED
- Automatic timer
- Audible cooking end signal
- Hinged Quartz grill
- Easy clean stainless steel interior
- Push button door opening
- Glass turntable
- 25 Litre gross capacity

Colour Options

ZSG25224XA - Stainless steel



ZSM17100XA



Thanks to the variable microwave power levels you have more choice and flexibility according to the food you want to prepare.

The simplest way to set the microwave function that suits you best thanks to the mechanical rotary control.

Specifications

- Solo microwave
- Reheat programme
- Dual rotary control knobs
- Automatic timer
- Audible cooking end signal
- Easy clean stainless steel interior
- Push button door opening
- Glass turntable
- 17 Litre gross capacity

Colour Options

ZSM17100XA - Stainless steel

For installation diagrams see page 122

For installation diagrams see page 122

For installation diagrams see page 122

FREESTANDING COOKING: ELECTRIC COOKERS



ZCI660MXC / WC / BC



ZCV66AEWC / XC



ZCV667MXC / NC /
ZCV665MWC



ZCV668MW / X / N

OVEN FUNCTION TOP/BOTTOM	ZCI660MXC / WC / BC	ZCV66AEWC / XC	ZCV667MXC / NC / ZCV665MWC	ZCV668MW / X / N
Thermaflow® Fan operated	/•	/•	/•	/•
Conventional cooking	•/	•/•	•/	•/
Thermal Grill		/•		
Full grill	•/	•/•	•/	•/
Defrost	/•	/•	/•	•/
Top heat		•/		
Bottom heat		/•		
OVEN FEATURES				
Control type	Rotary	Rotary	Rotary	Rotary
Fully programmable Timer	/•	/•	/•	
Electronic Minute minder	•	•	•	
Oven doors	Double Glazed	Double Glazed	Double Glazed	Double Glazed
Catalytic liners	•/•	•/•	•/•	
Clear 'n' Clean enamel				•/•
HOB FEATURES				
Type of Hob	Induction	Ceramic	Ceramic	Ceramic
Number of cooking zones	4	4	4	4
Stop and Go	•	-	-	-
Power Boost	•	-	-	-
Zone Timers	•	-	-	-
Front left rating (kW)	3.6	1.7	1.7	1.7
Front left Diameter (mm)	210	180	180	180
Rear left rating (kW)	2.5	1.2	1.2	1.2
Rear left Diameter (mm)	140	145	145	145
Front right rating (kW)	2.8	1.2	1.2	1.2
Front right Diameter (mm)	180	145	145	145
Rear right rating (kW)	2.8	1.7	1.7	1.7
Rear right Diameter (mm)	180	180	180	180
EQUIPMENT SUPPLIED				
Grid runners	Moulded	Moulded	Moulded	Moulded
Grill/meat pan	Full width	Full width	Full width	Full Width
ENERGY INFORMATION				
Energy class	A / A	A / A	A / A	A / A
Energy efficiency class in mode	Static / Fan	Static / Fan	Static / Fan	Static / Fan
Energy consumption static/fan	0.79 / 0.89	0.79 / 0.89	0.79 / 0.89	0.79 / 0.89
ELECTRICAL CONNECTION				
Voltage	220-240	220-240	220-240	220-240
Frequency	50	50	50	50
Connected Load	12.9	11.4	11.4	10.9
Oven power (max) (kW)	3 / 2.5	3 / 2.5	3 / 2.5	3 / 2.5
Grill power (max) (kW)	2.7 / -	2.7 / 1.9	2.7 / -	2.7 / -
Fuse rating	30	30	30	30
APPLIANCE DIMENSIONS				
Height (mm)	900	900	900	900
Width (mm)	600	600	600	600
Depth (mm)	600	600	600	600
Net weight (Kg)	58.25	56.5	54.85	53
INTERNAL DIMENSIONS (TOP/BOTTOM)				
Volume (usage) (litre)	37 / 72	37 / 68	37 / 72	37 / 72
Height (mm)	182 / 385	182 / 362	182 / 385	182 / 385
Width (mm)	449 / 449	449 / 449	449 / 449	449 / 449
Depth (mm)	442 / 415	442 / 415	442 / 415	442 / 415
PACKAGING DIMENSIONS				
Height (mm)	980	980	980	980
Width (mm)	635	635	635	635
Depth (mm)	680	680	680	680
Gross weight (Kg)	60.25	58.4	56.85	55.1
LITERATURE SUPPLIED				
Operation and installation instructions	•	•	•	•
COLOUR				
Stainless steel	•	•	•	•
White	•	•	•	•
Black	•	•	•	•



ZCV551MXC / WC / NC



ZCV554MW / X / N

OVEN FUNCTION TOP/BOTTOM	ZCV551MXC / WC / NC	ZCV554MW / X / N
Thermaflow® Fan operated	/•	/•
Conventional cooking	•/	•/
Thermal Grill		
Full grill	•/	•/
Defrost	/•	•/
Top heat		
Bottom heat		
OVEN FEATURES		
Control type	Rotary	Rotary
Fully programmable Timer	/•	
Electronic Minute minder	•	
Oven doors	Double Glazed	Double Glazed
Catalytic liners	/•	
Clear 'n' Clean enamel	•/	•/•
HOB FEATURES		
Type of Hob	Ceramic	Ceramic
Number of cooking zones	4	4
Stop and Go	-	-
Power Boost	-	-
Zone Timers	-	-
Front left rating (kW)	1.7	1.7
Front left Diameter (mm)	180	180
Rear left rating (kW)	1.2	1.2
Rear left Diameter (mm)	145	145
Front right rating (kW)	1.2	1.2
Front right Diameter (mm)	145	145
Rear right rating (kW)	1.7	1.7
Rear right Diameter (mm)	180	180
EQUIPMENT SUPPLIED		
Grid runners	Moulded	Moulded
Grill/meat pan	Full width	Full Width
ENERGY INFORMATION		
Energy class	A / A	A / A
Energy efficiency class in mode	Static / Fan	Static / Fan
Energy consumption static/fan	0.79 / 0.89	0.79 / 0.89
ELECTRICAL CONNECTION		
Voltage	220-240	220-240
Frequency	50	50
Connected Load	11.4	11.1
Oven power (max) (kW)	3 / 2.5	3 / 2.5
Grill power (max) (kW)	2.7 / -	2.7 / -
Fuse rating	30	30
APPLIANCE DIMENSIONS		
Height (mm)	900	900
Width (mm)	550	600
Depth (mm)	600	600
Net weight (Kg)	50.86	51.6
INTERNAL DIMENSIONS (TOP/BOTTOM)		
Volume (usage) (litre)	37 / 72	37 / 72
Height (mm)	182 / 385	182 / 385
Width (mm)	449 / 449	449 / 449
Depth (mm)	442 / 415	442 / 415
PACKAGING DIMENSIONS		
Height (mm)	1020	1020
Width (mm)	585	585
Depth (mm)	680	680
Gross weight (Kg)	52.70	53.6
LITERATURE SUPPLIED		
Operation and installation instructions	•	•
COLOUR		
Stainless steel	•	•
White	•	•
Black	•	•

FREESTANDING COOKING: GAS COOKERS



ZCG664GXC / WC / NC ZCG669GW / X / N ZCG552GXC / WC / NC ZCG55WGW / X / N

FUEL TYPE				
Natural gas	•	•	•	•
LPG Gas				
Flame safety device using thermocouples	•	•	•	•
TOP CAVITY FUNCTIONS				
MultiZone cooking	•	•	•	•
Grill type	Gas	Gas	Gas	Gas
BOTTOM CAVITY FUNCTIONS				
MultiZone cooking	•	•	•	•
Slow cook	•	•	•	•
OVEN FEATURES				
Control type	Rotary	Rotary	Rotary	Rotary
Electronic Minute minder	•	•	•	•
Oven doors	Double	Double	Double	Double
Catalytic liners	• / •		• / •	
Clear'n'Clean enamel		•	• / •	• / •
HOB FEATURES				
Number of cooking zones	4	4	4	4
Lid	•	•	•	•
Ignition type	Integrated	Integrated	Integrated	Integrated
Pan supports	Enamel	Enamel	Enamel	Enamel
Front left spec	Rapid	Rapid	Rapid	Rapid
Front left rating (kW)	2.9	2.9	2.9	2.9
Rear left spec	Semi-rapid	Semi-rapid	Semi-rapid	Semi-rapid
Rear left rating (kW)	2.0	2.0	2.0	2.0
Front right spec	Auxiliary	Auxiliary	Auxiliary	Auxiliary
Front right rating (kW)	1	1	1	1
Rear right spec	Semi-rapid	Semi-rapid	Semi-rapid	Semi-rapid
Rear right rating (kW)	2.0	2.0	2.0	2.0
EQUIPMENT SUPPLIED				
Grid runners	Moulded	Moulded	Moulded	Moulded
Grill / meat pan	•	•	•	•
ELECTRICAL CONNECTION				
Voltage	220-240	220-240	220-240	220-240
Frequency	50	50	50	50
Fuse rating	3	3	3	3
APPLIANCE DIMENSIONS				
Height (mm)	900	900	900	900
Width (mm)	595	595	550	550
Depth (mm)	600	600	600	600
Net weight (Kg)	58.1	57.7	52.6	55.7
INTERNAL DIMENSIONS (TOP/BOTTOM)				
Volume (usage) (litre)	34 / 77	34 / 77	34 / 77	34 / 77
Height (mm)	168 / 387	168 / 387	168 / 387	168 / 387
Width (mm)	449 / 449	449 / 449	449 / 449	449 / 449
Depth (mm)	441 / 445	441 / 445	441 / 445	441 / 445
PACKAGING DIMENSIONS				
Height (mm)	1020	1020	1020	1020
Width (mm)	635	635	585	585
Depth (mm)	680	680	680	680
Gross weight (Kg)	60	59.7	55	57.7
LITERATURE SUPPLIED				
Operation and installation instructions	•	•	•	•
COLOUR				
Stainless steel	•	•	•	•
White	•	•	•	•
Black	•	•	•	•

FREESTANDING COOKING: DUAL FUEL COOKER / RANGE STYLE COOKERS



ZCK68300W / X / B ZCK18307XA ZCK98307XA

OVEN FUNCTION			
Thermaflow® Fan operated	/ •	• /	• /
Conventional cooking	• /	• / •	• / •
Thermal Grill		• /	• /
Full grill	• /	• / •	• / •
Defrost	/ •	• /	• /
Top heat			
Bottom heat			
OVEN FEATURES			
Control type	Rotary	Rotary	Rotary
Fully programmable Timer	/ •	• /	• /
Electronic Minute minder	•	•	•
Oven doors	Double glazed	Triple glazed	Triple glazed
Catalytic liners	• / •		
Clear 'n' Clean enamel		• / •	• / •
HOB FEATURES			
Number of cooking zones	4	5	5
Lid	•		
Ignition type	Integrated	Integrated	Integrated
Pan supports	Enamel	Enamel	Enamel
Front left spec	Rapid	Rapid	Rapid
Front left rating (kW)	2.9	3.0	3.0
Rear left spec	Semi-rapid	Semi-rapid	Semi-rapid
Rear left rating (kW)	2.0	1.8	1.8
Front right spec	Auxiliary	Triple crown	Triple crown
Front right rating (kW)	1	3.8	3.8
Rear right spec	Semi-rapid	Auxiliary	Auxiliary
Rear right rating (kW)	2.0	1	1
EQUIPMENT SUPPLIED			
Grid runners	Moulded		
Grill / meat pan	•		
ELECTRICAL CONNECTION			
Voltage	220-240		
Frequency	50		
Fuse rating	30		
APPLIANCE DIMENSIONS			
Height (mm)	900		
Width (mm)	595		
Depth (mm)	600		
Net weight (Kg)	58.1		
INTERNAL DIMENSIONS (TOP/BOTTOM)			
Volume (usage) (litre)	34/72		
Height (mm)	167/385		
Width (mm)	447/447		
Depth (mm)	439/442		
PACKAGING DIMENSIONS			
Height (mm)	1020		
Width (mm)	635		
Depth (mm)	680		
Gross weight (Kg)	60		
LITERATURE SUPPLIED			
Operation and installation instructions	•		
COLOUR			
Stainless steel	•		
White	•		
Black	•		

OVEN FUNCTION		
Thermaflow® Fan operated	• /	• /
Conventional cooking	• / •	• / •
Thermal Grill	• /	• /
Full grill	• / •	• / •
Defrost	• /	• /
Top heat		
Bottom heat		
OVEN FEATURES		
Control type	Rotary	Rotary
Fully programmable Timer	• /	• /
Electronic Minute minder	•	•
Oven doors	Triple glazed	Triple glazed
Catalytic liners		
Clear 'n' Clean enamel	• / •	• / •
HOB FEATURES		
Number of cooking zones	5	5
Lid		
Ignition type	Integrated	Integrated
Pan supports	Enamel	Enamel
Front left spec	Rapid	Rapid
Front left rating (kW)	3.0	3.0
Rear left spec	Semi-rapid	Semi-rapid
Rear left rating (kW)	1.8	1.8
Middle spec	Triple crown	Triple crown
Middle rating (kW)	3.8	3.8
Front right spec	Auxiliary	Auxiliary
Front right rating (kW)	1	1
Rear right spec	Semi-rapid	Semi-rapid
Rear right rating (kW)	1.8	1.8
EQUIPMENT SUPPLIED		
Grid runners	Metal	Metal
Grill / meat pan	•	•
ELECTRICAL CONNECTION		
Voltage	220-230	220-230
Frequency	50	50
Fuse rating	30	30
APPLIANCE DIMENSIONS		
Height (mm)	900	900
Width (mm)	1000	900
Depth (mm)	600	600
Net weight (Kg)	79	78.5
INTERNAL DIMENSIONS (LEFT/RIGHT)		
Volume (usage) (litre)	62/53	62/53
Height (mm)	325/322	325/322
Width (mm)	453/402	453/402
Depth (mm)	405/396	405/396
PACKAGING DIMENSIONS		
Height (mm)	900	900
Width (mm)	1060	960
Depth (mm)	690	690
Gross weight (Kg)	86.7	86.2
LITERATURE SUPPLIED		
Operation and installation instructions	•	•
COLOUR		
Stainless steel	•	•

BUILT-IN COOKING: DOUBLE OVENS



ZOD35712XK/ZOD35712BK



ZOD55512XA/ZOD35511WK

OVEN FUNCTIONS (T=TOP, M=MAIN)	T/M	T/M
ThermaFlow® fan	/ Fan + Ring	/ Fan + Ring
Conventional cooking	•/•	•/
Pizza setting		
Defrost	/•	/•
80° Keep Warm		
Full width grill	•/•	•/
Economy grill		•/
Bottom heat	•/•	•/
Top heat browning	•/	•/
Slow Cooking		
OVEN FEATURES		
Oven door(s)	Double	Double
Interior lights (Watts)	1 /1	1 /1
Interior lights (Position)	Back / Back	Back / Back
Digital Push Button Controls		
Retractable Controls	•	
Digital display	• / Amber	• / Amber
Drop down door	•	•
Cooling fan	•	•
PROGRAMMER		
Fully programmable electronic clock & minute minder	•	•
CLEANING		
Catalytic lining / liners	•	
Easy clean enamel interior		•
Fold down grill		•/
EQUIPMENT SUPPLIED		
Runner type	Grid Runners	Grid Runners
Auto-stop shelves	•	•
Grill pan and trivet	•	•
INTERNAL OVEN DIM. (T=TOP, M=MAIN)		
Volume (usage) (litres)	42/62	43/68
Height (mm)	210/339	212/368
Width (mm)	440/440	440/435
Depth (mm)	445/409	448/409
ENERGY INFORMATION		
Oven temperature range (°C)	50-275	50-275
Energy class	A/A	A/A
Cooktime standard load static (minutes)	52/49	52
Cooktime standard load fan (minutes)	NA/44	NA/44
Energy consumption static (kW/h)	0.78/0.94	0.78/NA
Energy consumption fan (kW/h)	NA/0.86	NA/0.86
Standby power (W)	1.3	1.3
ELECTRICAL CONNECTION		
Connected load (kW)	5.2	4.2
Fuse rating (A)	30	30
Oven power (max) (kW)	2350/2975	2350/1975
Grill power (max) (kW)	2300/2900	2300/NA
APPLIANCE DIMENSIONS		
Height x Width x Depth (mm)	888 x 594 x 548	888 x 594 x 548
Net weight (Kg)	51.5	50.45
APERTURE DIMENSIONS 1)		
Height x Width x Depth (mm)	875 x 560 x 550	875 x 560 x 550
PACKAGING DIMENSIONS		
Height x Width x Depth (mm)	965 x 660 x 705	965 x 660 x 705
Gross weight (Kg)	56.9	55.55
SAFETY & INTERFERENCE SUPPRESSION		
Low Voltage Directive (LVD)	•	•
Electromagnetic Compatibility (EMC)	•	•
LITERATURE SUPPLIED		
Operation and installation instructions	•	•



ZOF35712XK



ZOF35511XK/ZOF35501WK



ZOE35511XK

OVEN FUNCTIONS (T=TOP, M=MAIN)	T/M	T/M	T/M
ThermaFlow® fan	/ Fan + Ring	/ Fan + Ring	/ Fan + Ring
Conventional cooking	•/•	•/	•/
Pizza setting			
Defrost	/•	/•	/•
80° Keep Warm			
Full width grill	•/•	•/	•/
Economy grill		•/	•/
Bottom heat	•/	•/	•/
Top heat browning	•/	•/	•/
Slow Cooking			
OVEN FEATURES			
Oven door(s)	Double	Double	Double
Interior lights (Watts)	1 /1	1 /1	1 /1
Interior lights (Position)	Side / Back	Back / Back	Back / Back
Digital Push Button Controls			
Retractable Controls	•		
Digital display	• / Amber	• / Amber	• / Amber
Compact hinge	•	•	•
Cooling fan	•	•	•
PROGRAMMER			
Fully programmable electronic clock & minute minder	•	•	•
CLEANING			
Catalytic lining / liners	•	•	
Easy clean enamel interior			•
Fold down grill			•/
EQUIPMENT SUPPLIED			
Chrome grid runners	Grid Runners	Grid Runners	Grid Runners
Chrome auto-stop non-tip shelves	•	•	•
Grill pan and trivet	•	•	•
INTERNAL OVEN DIM. (T=TOP, M=MAIN)			
Volume (usage) (litres)	39/46	39/46	39/46
Height (mm)	210/246	210/246	210/246
Width (mm)	439/441	439/441	439/441
Depth (mm)	415/410	415/410	415/410
ENERGY INFORMATION			
Oven temperature range (°C)	50-275	50-275	50-275
Energy class	A/A	A/A	A/A
Cooktime standard load static (minutes)	52	52	52
Cooktime standard load fan (minutes)	44/48	NA/48	NA/48
Energy consumption static (kW/h)	0.91/NA	0.81/NA	0.81/NA
Energy consumption fan (kW/h)	0.87/0.87	NA/0.79	NA/0.78
Standby power (W)	1.3	0.77	0.77
ELECTRICAL CONNECTION			
Connected load (kW)	4.9	4.2	4.2
Fuse rating (A)	30	30	30
Grill power (max) (kW)	2350/2975	2350/1075	2350/1975
Oven power (max) (kW)	2300/2900	2300/1975	2300/NA
APPLIANCE DIMENSIONS			
Height x Width x Depth (mm)	715 x 594 x 548	715 x 594 x 548	715 x 594 x 548
Net weight (Kg)	46.95	46.95	46.95
APERTURE DIMENSIONS 1)			
Height x Width x Depth (mm)	870 x 600 x 560	870 x 600 x 560	870 x 600 x 560
PACKAGING DIMENSIONS			
Height x Width x Depth (mm)	805 x 660 x 705	805 x 660 x 705	805 x 660 x 705
Gross weight (Kg)	51.8	51.8	51.8
SAFETY & INTERFERENCE SUPPRESSION			
Low Voltage Directive (LVD)	•	•	•
Electromagnetic Compatibility (EMC)	•	•	•
LITERATURE SUPPLIED			
Operation and installation instructions	•	•	•

1) Refer to user instructions before cutting out.
2) 5.0 kW/hr.

BUILT-IN COOKING: MICROWAVES



ZKC44500XA



ZBG26542XA



ZBM26542XA/BA

MICROWAVE OVENS	ZKC44500XA	ZBG26542XA	ZBM26542XA/BA
Combi microwave, fan oven & grill	•		
Microwave & grill		•	
Solo microwave			•
PERFORMANCE			
Microwave Output	1000	900	900
Heating Category 1)	E	E	E
Grill Output	1500	1000	
Conventional Oven Output	1600		
FEATURES			
Fully Built-In	•	•	•
Under counter installation/In column installation	•	•	•
Microwave power levels	5	5	5
Hinged grill			
Electronic Push Controls	5	6	5
Control Knobs	2	1	1
Electronic Clock/Timer	•	•	•
Programme End Signal	•	•	•
Internal Light	•	•	•
COOKING MODES			
Microwave	•	•	•
Grill	•	•	
Microwave & Grill	•	•	
Convection (Fan)	•		
Microwave & Convection	•		
Defrost	•	•	•
Auto Defrost By Weight Programmes	5	7	5
Auto Cook By Weight Programmes		8	7
Quickstart		•	•
TECHNICAL			
Total Load Rating (kW)	3400	2400	1300
Fuse (A)	15	13	13
PRODUCT DIMENSIONS			
Oven volume (gross) (litres)	38	26	26
Height x Width x Depth (mm)	455 x 594 x 542	459 x 594 x 437	459 x 594 x 437
Net Weight (kg)	35	18.5	18.5
BUILT IN DIMENSIONS 2)			
Height x Width x Depth (mm)	450 x 560 x 550	450 x 560 x 580	450 x 562 x 500
PACKAGING DIMENSIONS			
Height x Width x Depth (mm)	535 x 680 x 660	525 x 660 x 535	525 x 660 x 535
Gross weight (Kg)	38	22	21.5

Notes

- 1) Heating category of the microwave in line with government guidelines.
- 2) Installation aperture dimensions, for full details refer to installation guidelines.



ZSC25259XA



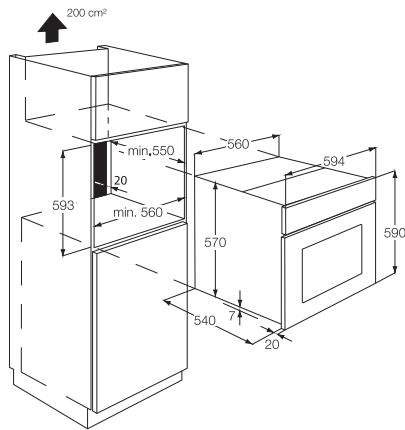
ZSG25224XA



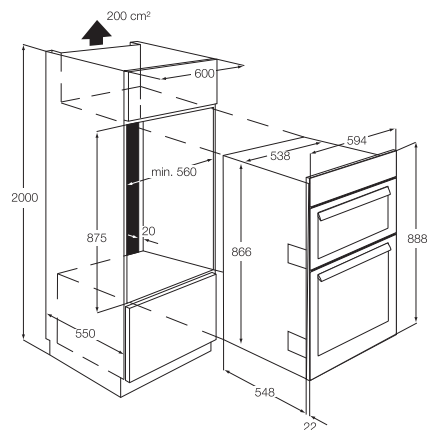
ZSM17100XA

MICROWAVE OVENS	ZSC25259XA	ZSG25224XA	ZSM17100XA
Combi microwave, fan oven & grill	•		
Microwave & grill		•	
Solo microwave			•
PERFORMANCE			
Microwave Output	900	900	700
Grill Output	1000	1000	
Conventional Oven Output	2500		
FEATURES			
Microwave power levels	8	8	5
Hinged grill	•	•	
Electronic Push Controls	5	5	
Control Knobs	1	1	2
Electronic Clock/Timer	•	•	
Programme End Signal	•	•	•
Internal Light	•	•	•
COOKING MODES			
Microwave	•	•	•
Grill	•	•	
Microwave & Grill	•	•	
Convection (Fan)	•		
Microwave & Convection	•		
Defrost	•	•	•
Auto Defrost By Weight Programmes	•	•	
Quickstart	•	•	
TECHNICAL			
Total Load Rating (kW)			
Fuse (A)	13	13	13
PRODUCT DIMENSIONS			
Oven volume (gross) (litres)	25	25	17
Height x Width x Depth (mm)	460 x 596 x 470	389 x 596 x 400	389 x 596 x 320
Net Weight (kg)	18.5	18.5	15
BUILT IN DIMENSIONS 2)			
Height x Width x Depth (mm)	450 x 560 x 550	380 x 560 x 500	380 x 560 x 300
PACKAGING DIMENSIONS			
Height x Width x Depth (mm)	533 x 655 x 536	500 x 653 x 466	445 x 650 x 404
Gross weight (Kg)	22.5	22.5	17

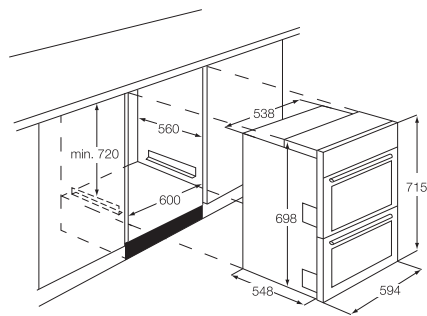
ZOS37902XD / ZOP38903XD / ZOP37962XA/BK /
ZOA35802XD/BK / ZOA35502XD /
ZOB35302XA/WK/BK / ZOB31301XK/WK



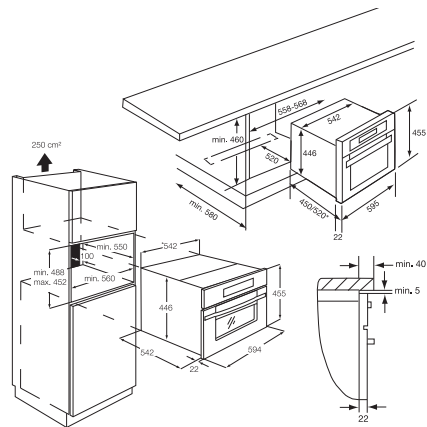
ZOD35712XK/BK / ZOD55512XA/ ZOD35511WK



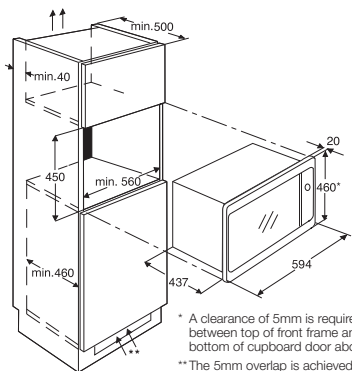
ZOF35712XK / ZOF35511XK/WK / ZOE35511XK



ZKC44500XA



ZBM26542XA/BA / ZBG26542XA



* A clearance of 5mm is required between top of front frame and bottom of cupboard door above.
** The 5mm overlap is achieved when using the 360mm "feet". To use the 360mm high niche, the feet must be changed as per the instruction book.



COOKING

HOBS MADE EASY

SCAN WITH
layar



BOILING IN SECONDS

Induction technology cooks faster. Whether you're melting chocolate or cooking pasta, the hob reacts immediately when you put the pan on, heating only the food and not the hob surface.

MOKA



Start your morning with a real Italian espresso! Our induction hob has a special and flexible area sized for your favourite Moka pot. Allowing you to easily prepare a real Italian espresso in an instant and drink it the way you like best.

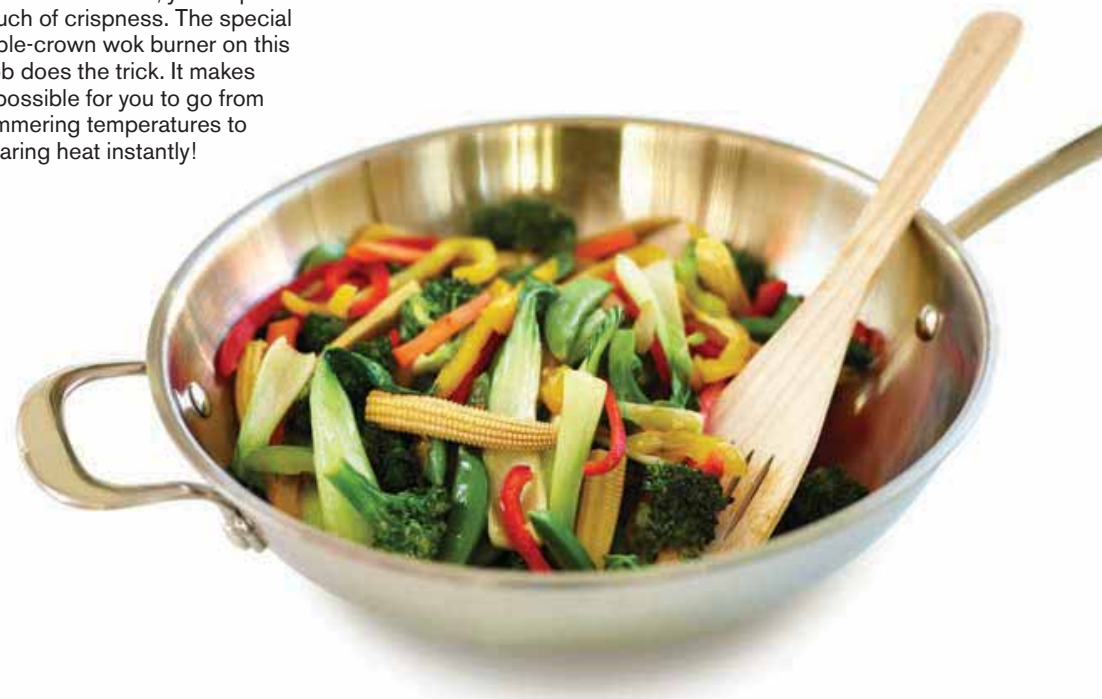
FLEXIBLE COOKING



Multi-pan cooking just got easier. Our new PlusLine burner layout gives you direct access to 3 burners (rather than the standard 2), so handling multiple pots and pans is a breeze.

INSTANT HEAT

Wok cooking often requires very high and rapid heat in order for ingredients such as vegetables to be well-cooked, yet keep a touch of crispness. The special triple-crown wok burner on this hob does the trick. It makes it possible for you to go from simmering temperatures to searing heat instantly!

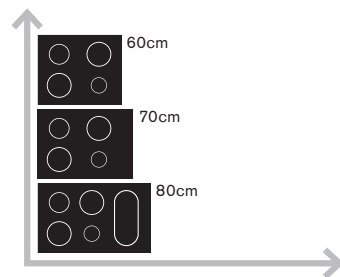


COOKING

5 EASY TIPS FOR CHOOSING YOUR HOB

Finding the hob that's right for you is as simple as following these five easy tips.

1 WHAT SIZE DO YOU NEED?



- Consider the work top - it should be minimum 25 or 30mm, as it needs to both fit and have proper ventilation.
- A standard 60cm hob with 4 burners/zone will work for most people; unless you cook for large numbers or have limited space.
- If you have more space and enjoy cooking large meals, you can choose 75cm, 80cm or even a 90cm size that can have up to 6 burners/zones.
- Bear in mind that some 70/75cm gas hobs fit the same space as a 60cm hob, so you could fit one in an existing cutout space without making adjustments to the worktop.

2 WHAT TYPE OF HOB SUITS YOU BEST?

Scores out of 5



	Induction	Gas	Ceramic	Solid Plate
Speed	****	***	***	**
Response	*****	*****	***	*
Energy Efficiency	****	****	**	*

3 WHAT DO YOU COOK?



- If you boil a lot of pasta or cook stir-fries so that the vegetables stay crisp, gas hobs with a wok burner or induction hobs with a booster are great.
- If you do a lot of melting, steaming or cooking that requires very precise temperature control, choose an induction hob.
- For cooking in fish kettles or warming large casseroles, you could choose between electric ceramic hobs with extendable zones and induction hobs with bridge function to connect two cooking zones to make a large one.

4 HOW IMPORTANT IS SAFETY?



- Induction hobs cool down really quickly and so are safe to touch sooner after they're turned off.
- For gas hobs, choose models with Auto Off to automatically shut off the gas supply if the flame accidentally goes out.
- You can also choose from electric hob models with a child lock feature.

5 EASY CLEANING?



- Induction is the easiest to clean because they're flat and prevent spillages burning onto their surface.
- Gas hobs on a flat glass or enamelled surface are easier to clean than those on a stainless steel surface.
- Frameless hobs are also easier to clean as there are fewer edges where dirt can accumulate.

A GUIDE TO OUR HOB ICONS

What do the new Zanussi Quadro™ hobs do and why? Here's your quick guide to our handy functions and features.

HOB FEATURES



Induction

Induction has all the benefits of easy to clean ceramic, together with the fastest, most responsive cooking, whether you are cooking pasta or melting chocolate. Induction works by creating a magnetic field between the hob and the saucepan - this means that the pan heats, not the hob so it's really safe to use and so easy to clean, the ultimate convenience in hob cooking.



Touch Control

Welcome to the cutting edge of hob technology; many of Zanussi's hobs now feature electronic touch controls with digital displays which not only make the operation easier but will offer you a larger choice of power levels, giving you total control.



Timers

When time is of the essence, individual hob timers can be set so you know exactly when your food is cooked and dinner will be ready.



Safety

We understand the importance of safety within the kitchen which is why our models have a residual heat warning when the hob is still hot. Some models also have a safety lock to prevent settings being changed.



Front Controls

Great for left or right-handed cooks, front controls ensure great flexibility and are easy to use.

GAS HOB FEATURES



Wok Cooking

Ideal for stir fries, our wok burner provides a high heat to ensure all your wok cooking is effortlessly prepared.



75cm Extra Space

To enhance your cooking experience, Zanussi offers 75cm gas hobs giving you just a little bit more space with more than enough room for all your pans and for added convenience they fit into the same space as a 60cm hob.



Front Controls

Ideally positioned at the front of the hob, the controls are easy to use and access, great for left to right handed cooks.



Automatic Ignition

For added convenience all our burners have automatic ignition, great for single handed operation. Simply push down on the dial and the flame comes on!



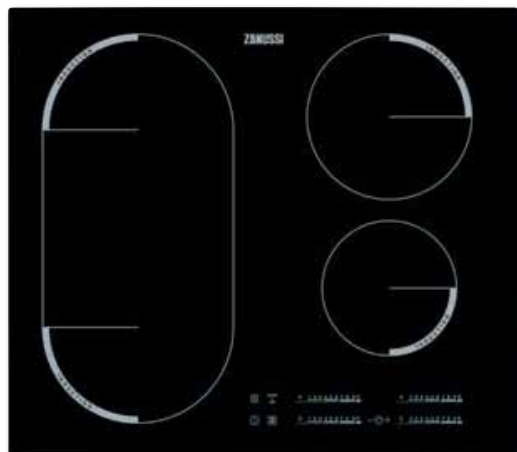
Safety

Zanussi knows how important peace of mind is to you, that's why all of our gas hobs have flame safety, meaning when the flame goes out the gas cuts off.

ZEM6740FBA



This Easy Flex Hob gives you all the added benefits of induction – fast boiling time, more responsive when cooling down, easy to clean, as well as now giving you the flexibility to control two zones as one. Ideal for using bigger pans and cooking for large families.



Specifications

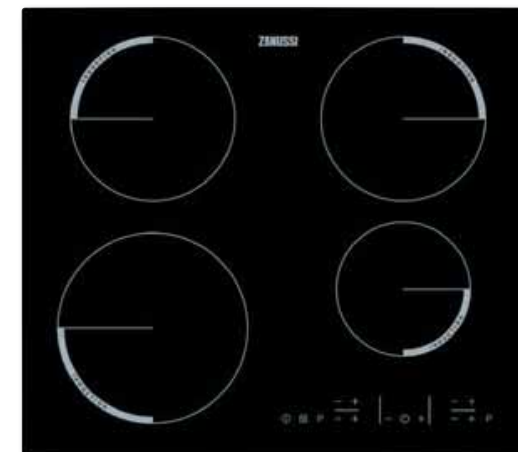
- Electronic touch controls with digital displays make selection easier and offer a larger choice of power levels and control
- Bridging zone
- Instant-response hob
- Timer with auto switch-off
- Wipe clean ceramic hob surface
- 9 power levels with red digital display
- 4 induction zones
- Automatic heat up
- Booster setting
- Residual heat indicators
- 99 minute timer with acoustic signal
- Child safety control lock
- Auto safety switch off

For installation diagrams see page 150

ZEL6640FBV



Imagine a hob that boils quicker than gas using the latest innovation. Induction hobs use clever technology to heat the food and not the hob - the fastest and most responsive cooking whether you're melting chocolate or cooking pasta, giving you more time to enjoy your food.



Specifications

- Electronic touch controls with digital displays make selection easier and offer a larger choice of power levels and control
- Instant-response hob
- Timer with auto switch-off
- Wipe clean ceramic hob surface
- 9 power levels with red digital display
- 4 induction zones
- Automatic heat up
- Booster setting
- Residual heat indicators
- 99 minute timer with acoustic signal
- Child safety control lock
- Auto safety switch off

Automatic heat up

Zanussi's clever automatic heat up function adds more power to each zone to help reach your selected temperature quicker, saving you time.

For installation diagrams see page 150

COOKING: INDUCTION HOBS

ZEI8640XBA



Imagine a hob that boils quicker than gas using the latest innovation. Induction hobs use clever technology to heat the food and not the hob - the fastest and most responsive cooking whether you're melting chocolate or cooking pasta, giving you more time to enjoy your food.



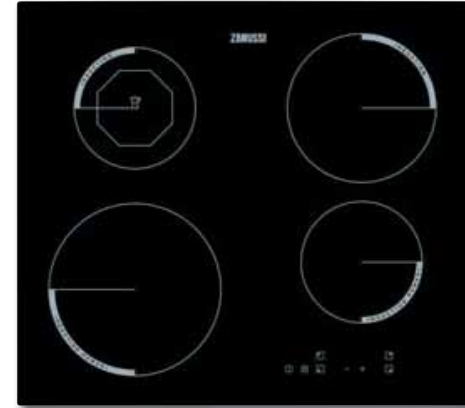
Specifications

- 80cm for more space on hob
- Electronic touch controls with digital displays make selection easier and offer a larger choice of power levels and control
- Instant-response hob
- Timer with auto switch-off
- Wipe clean ceramic hob surface
- 9 power levels with red digital display
- 4 induction zones
- Automatic heat up
- Booster setting
- Residual heat indicators
- 99 minute timer with acoustic signal
- Child safety control lock
- Auto safety switch off

Colour Options

ZEI8640XBA - Stainless Steel frame

For installation diagrams see page 150



ZEI6840FBA



Plug your induction hob into any domestic plug socket. Induction hobs use clever technology to heat the food and not the hob - the fastest and most responsive cooking whether you're melting chocolate or cooking pasta, giving you more time to enjoy your food.

Specifications

- Electronic touch controls with digital displays make selection easier and offer a larger choice of power levels and control
- Instant-response hob
- Timer with auto switch-off
- Wipe clean ceramic hob surface
- 9 power levels with red digital display
- 4 induction zones
- Automatic heat up
- Booster setting
- Residual heat indicators
- 99 minute timer with acoustic signal
- Child safety control lock
- Auto safety switch off

For installation diagrams see page 150



ZEV8646XBA



80cm Ceramic Hob. Electronic touch controls with digital displays not only make selection easier but also offer a larger choice of power levels and control.

Specifications

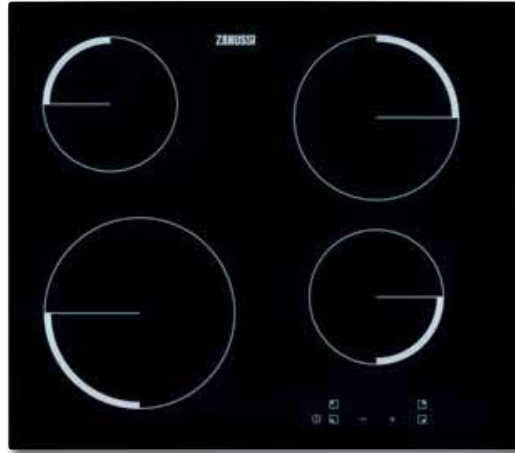
- 80cm for more space on hob
- 4 heat zones, including dual fast zone and 1 oval zone
- Wipe clean ceramic hob surface
- 9 power levels with red digital display
- Automatic heat up
- Residual heat indicators
- 99 minute timer with acoustic signal
- Child safety control lock
- Auto safety switch off

For installation diagrams see page 150

ZEV6240FBA



Great for left or right-handed cooks, front controls ensure total flexibility.



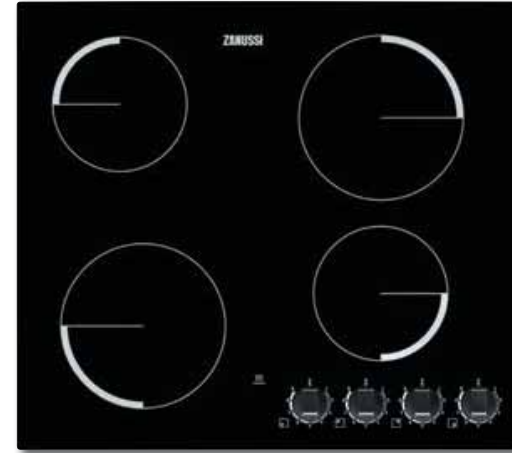
Specifications

- Electronic touch controls with digital displays make selection easier and offer a larger choice of power levels and control.
- Wipe clean ceramic hob surface
- 9 power levels with red digital display
- Residual heat indicators
- Auto safety switch off

Colour Options

ZEV6240FBA - Frameless

For installation diagrams see page 150



ZEV6940FBA



Great for left or right-handed cooks, front controls ensure total flexibility.

Specifications

- Easy to clean
- Residual heat indicators with red LEDs
- Wipe clean ceramic hob surface
- 4 heat zones in 3 sizes
- 10 power levels

Colour Options

ZEV6940XBV - Stainless Steel frame
ZEV6940FBA - Frameless

For installation diagrams see page 150



ZEE6940FXA



Great for left or right-handed cooks, front controls ensure total flexibility.

Specifications

- Stylish one-piece hob surface for easier cleaning
- No dirt traps
- Easy to use front controls
- Power on light

Colour Options

ZEE6940FXA - Stainless Steel
ZEE6940FWA - White

For installation diagrams see page 151



ZEI3921IBA



Stylish two zone induction hob, ideal for small kitchens.

Specifications

- Easy to use black front rotary controls
- Great for left or right handed cooks, front controls ensure total flexibility
- Two high powered induction zones
- Wipe clean ceramic hob surface
- Power on light

Colour Options

ZEI3921IBA - Stainless Steel frame

For installation diagrams see page 151

ZES3921IBA



Stylish two zone ceramic hob, ideal for small kitchens.

Specifications

- Easy to use black front rotary controls
- Great for left or right handed cooks, front controls ensure total flexibility
- Wipe clean ceramic hob surface
- Power on light

Colour Options

ZES3921IBA - Stainless Steel frame

For installation diagrams see page 151

ZGG35214XA



Stylish gas domino hob with two burners, ideal for small kitchens.

Specifications

- 2 gas burners including 1 rapid burner and 1 simmer burner
- Easy to use black front rotary controls
- Power on light

Colour Options

ZGG35214XA - Stainless Steel

For installation diagrams see page 151

ZEE3921IXA



2 solid plate hob ideal for small kitchens.

Specifications

- Stylish one-piece hob surface for easier cleaning
- Easy to use black front controls
- Zone with red dot for faster heat up
- Power on light

Colour Options

ZEE3921IXA - Stainless Steel

For installation diagrams see page 151

COOKING: GAS HOBS

ZGO76534BA



For a chic contemporary look, this gas on glass hob will enhance the style of your kitchen.

Ideal for stir fries, our wok burner provides maximum heat to ensure all your wok cooking is effortlessly prepared.



Specifications

- Safety gas cut off using thermocouples
- 5 pureflame burners - ultra rapid triple crown wok burner, 3 semi-rapid and 1 simmer burner
- Easy to reach front controls
- Automatic integrated ignition
- Easy clean ceramic surface
- 5 stylish cast iron pan supports
- LPG conversion kit included

Colour Options

ZGO76534BA - Gas on glass

For installation diagrams see page 151

ZGO63414BA



For a chic contemporary look, this gas on glass hob will enhance the style of your kitchen.

Ideal for stir fries, our wok burner provides maximum heat to ensure all your wok cooking is effortlessly prepared.



Specifications

- 4 pureflame burners - 1 rapid, 2 semi-rapid and 1 simmer
- 4 stylish cast iron pan supports
- Easy to reach side controls
- Safety gas cut off using thermocouples
- LPG conversion kit included

Colour Options

ZGO63414XA - Stainless Steel

For installation diagrams see page 151

ZG075524BA



For a contemporary look, this gas on glass hob will enhance the style of your kitchen.

75cm Hobs give you just that little bit more space, ideal for Wok cooking and more than enough room for all of your pots and pans.



Specifications

- Safety gas cut off using thermocouples
- 5 pureflame burners - ultra rapid triple crown wok burner, 3 semi-rapid and 1 simmer burner
- Easy to reach front controls
- Automatic integrated ignition
- Easy clean ceramic surface
- 5 stylish enamel pan supports
- LPG conversion kit included

For installation diagrams see page 151

ZGX65414BA



For a contemporary look this gas on glass hob will enhance the style of your kitchen.

+ Line Layout ensures you have more room for pots and pans when cooking your favorite dishes.

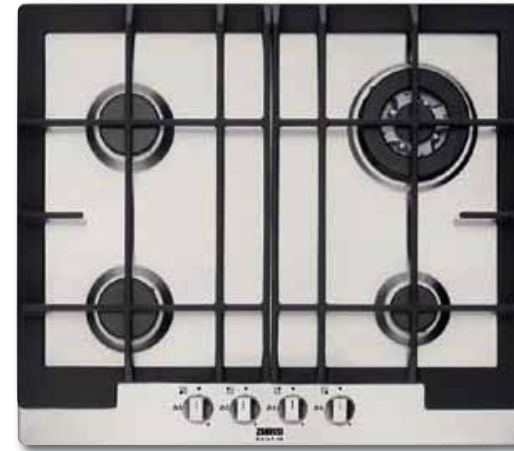
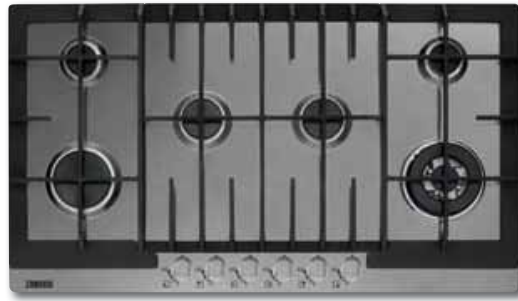


Specifications

- 4 pureflame burners - 1 rapid, 2 semi-rapid and 1 simmer
- 4 stylish enamel pan supports
- Easy to reach side controls
- Safety gas cut off using thermocouples
- LPG conversion kit included

For installation diagrams see page 151

COOKING: GAS HOBS



ZGG96624XA



Extra space to cook more at once. With the extra large hob surface you get 6 pureflame burners to cook more or bigger dishes in one go. Great for all your cooking needs.

Specifications

- Safety gas cut-off using thermocouples
- 6 pureflame burners - 1 triple crown burner, 1 rapid burner, 2 semi rapid burners, 2 simmer burners
- Smooth hob surface with no dirt traps
- Easy to reach front controls
- 3 cast iron pan supports
- Automatic integrated ignition
- LPG conversion kit included

Colour Options

ZGG96624XA - Stainless Steel

ZGG76524XA



To enhance your cooking experience, our 75cm wide hob gives you just a little bit more space, ideal for wok cooking and more than enough room for all your other pans too.

Specifications

- 5 pureflame burners - 1 ultra rapid triple crown, 1 rapid, 2 semi-rapid and 1 simmer
- Wok burner ideal for stir fries
- Stylish one-piece hob surface for easy cleaning
- 3 stylish cast iron pan supports
- Automatic integrated ignition
- Fits standard 60cm cut out
- Safety gas cut off using thermocouples
- LPG conversion kit included

Colour Options

ZGG76524XA - Stainless Steel

ZGG66424XA



Ideal for stir fries, our wok burner provides a high heat to ensure all your wok cooking is effortlessly prepared.

Specifications

- 4 pureflame burners - 1 wok, 2 semi-rapid and 1 simmer
- Stylish one-piece hob surface for easy cleaning
- 2 stylish cast iron pan supports
- Automatic integrated ignition
- Safety gas cut off using thermocouples
- LPG conversion kit included

Colour Options

ZGG66424XA - Stainless Steel
ZGG66424BA - Black

For installation diagrams see page 151

ZGX66424XA



+ Line Layout ensures you have more room for pots and pans when cooking your favorite dishes. With Cast Iron Pan supports for added quality.

Specifications

- + Line layout
- 4 pureflame burners - 1 wok, 2 semi-rapid and 1 simmer
- Stylish one-piece hob surface for easy cleaning
- 2 stylish cast iron pan supports
- Automatic integrated ignition
- Safety gas cut off using thermocouples
- LPG conversion kit included

Colour Options

ZGX66424XA - Stainless Steel

For installation diagrams see page 151

COOKING: GAS HOBS



ZGG75524SA



To enhance your cooking experience, our 75cm wide hobs give you just that little bit more space, ideal for wok cooking and more than enough room for all your other pans too.

Specifications

- 5 pureflame burners - 1 ultra rapid triple crown, 1 rapid, 2 semi-rapid and 1 simmer
- Wok burner ideal for stir fries
- Front control panel
- Stylish one-piece hob surface for easy cleaning
- 3 enamel pan supports
- Automatic integrated ignition
- Safety gas cut off using thermocouples
- Fits standard 60cm cut out
- LPG conversion kit included

Colour Options

ZGG75524SA - Stainless Steel

For installation diagrams see page 151



ZGX65424XA



+ Line Layout ensures you have more room for pots and pans when cooking your favorite dishes.

Specifications

- + Line layout
- Automatic integrated ignition, great for one handed operation
- Stylish one-piece hob surface for easy cleaning
- 4 pureflame burners - 1 rapid, 2 semi-rapid and 1 simmer
- 2 enamel pan supports
- LPG conversion kit included

Colour Options

ZGX65424XA - Stainless Steel

For installation diagrams see page 151



ZGG65411SA



Great for left or right-handed cooks, the front controls ensure total flexibility.

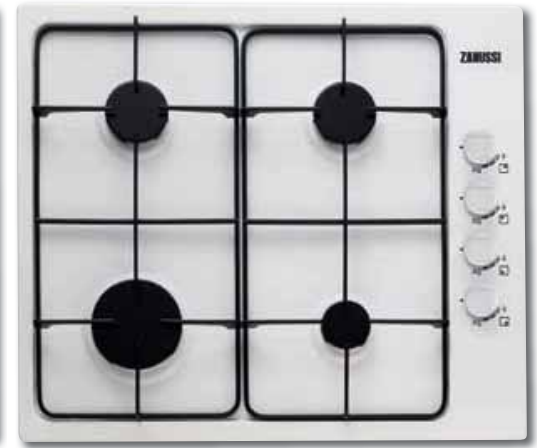
Specifications

- Automatic integrated ignition, great for one handed operation
- Stylish one-piece hob surface for easy cleaning
- 4 pureflame burners - 1 rapid, 2 semi-rapid and 1 simmer
- 2 enamel pan supports
- LPG conversion kit included

Colour Options

ZGG65411SA - Stainless Steel

For installation diagrams see page 151



ZGG62414WA



Stylish one-piece hob surface for easy cleaning.

Specifications

- Automatic integrated ignition, great for one handed operation
- Easy to grip side rotary controls
- 4 pureflame burners - 1 rapid, 2 semi-rapid and 1 simmer
- 2 enamel pan supports
- LPG conversion kit included

Colour Options

ZGG62414WA - White

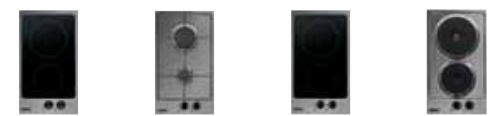
For installation diagrams see page 151

COOKING: HOBS



ZEM6740FBA ZEL6640FBV ZE16840FBA ZEV6240FBA ZEV6940FBA/XBV ZEE6940FXA/FWA

HOB FEATURES						
Number of cooking zones	4	4	4	4	4	4
Control position	Front Right	Front Right	Front Right	Front Right	Front Right	Front Middle
Control type	Slide Touch	Touch	Touch	Touch	Knobs	Knobs
Residual heat/Hob on indicator	•	•	•	•	•	
Electronic timer	•	•				
Child lock	•	•	•			
Auto cut-off	•		•			
No of booster zones	4		4			
Automatic heat up	•	•	•			
Pot sensors						
Pan support						
ZONE SPECIFICATION						
Front left spec 2)	Induction	Induction	Induction	Ceramic	Ceramic	Solid Plate
Front left rating 3) (kW)	2.3/3.2	2.3 / 3.7	2.8	2.3	1.8	1.5
Front left diameter (mm)	210	210	280	210	180	145
Front right spec 2)	Induction	Induction	Induction	Ceramic	Ceramic	Solid Plate
Front right rating 3) (kW)	1.4/2.5	1.4 / 2.5	1.8	1.2	1.2	1.5
Front right diameter (mm)	145	145	145	145	145	145
Rear left spec 2)	Induction	Induction	Induction	Ceramic	Ceramic	Solid Plate
Rear left rating 3) (kW)	2.3/3.2	1.8	1.2	1.2	1.2	2
Rear left diameter (mm)	210	180	145	145	145	180
Rear right spec 2)	Induction	Induction		Ceramic	Ceramic	Solid Plate
Rear right rating 3) (kW)	1.8/2.8	1.8		1.8	1.8	2
Rear right diameter (mm)	180	180		180	180	180
Rear spec 2)						
Rear rating 3) (kW)						
Rear diameter (mm)						
Front spec 2)						
Front rating 3) (kW)						
Front diameter (mm)						
ELECTRICAL CONNECTION						
Total rating (max) (kW)	7.4	7.4	3	6.4	6	7
Fuse rating (A)	30					
APPLIANCE DIMENSIONS						
Height (above worktop) (mm)			55			
Width (mm)	590	590	590	590	590	594
Depth (mm)	520	520	520	520	520	510
Net Weight (Kg)	11.06	10.9	10.8	7.9	7.9	7.1
APERTURE DIMENSIONS 1)						
Height (mm)			38			
Width (mm)	560	560	560	560	560	560
Depth (mm)	490	490	490	490	490	480
PACKAGING DIMENSIONS						
Height (mm)	118	118	108	108	118	120
Width (mm)	678	678	678	678	678	680
Depth (mm)	600	600	600	600	600	620
Gross weight (Kg)	11.9		11.5			
SAFETY AND INTERFERENCE SUPPRESSION						
Low Voltage Directive (LVD)	•	•	•	•	•	•
Electromagnetic Compatibility (EMC)	•	•	•	•	•	•
LITERATURE SUPPLIED						
Operation and installation instructions	•	•	•	•	•	•



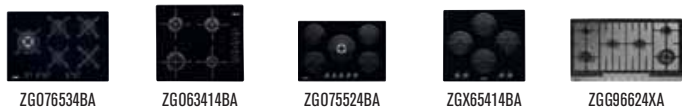
ZE139211BA ZGG35214XA ZES39211BA ZEE39211XA

HOB FEATURES				
Number of cooking zones	2	2	2	2
Control position	Front Middle	Front Middle	Front Middle	Front Middle
Control type	Knobs	Knobs	Knobs	Knobs
Residual heat/Hob on indicator				
Electronic timer				
Child lock				
Auto cut-off				
No of booster zones				
Automatic heat up				
Pot sensors				
Pan support		•		
ZONE SPECIFICATION				
Front left spec 2)	Induction	Rapid	Ceramic	Solid Plate
Front left rating 3) (kW)	1.8	3	1.7	1.5
Front left diameter (mm)	180	100	180	180
Front right spec 2)	Induction	Auxiliary	Ceramic	Solid Plate
Front right rating 3) (kW)	1.4	1	1.2	1
Front right diameter (mm)	140	54	145	145
Rear left spec 2)	Induction	Rapid	Ceramic	Solid Plate
Rear left rating 3) (kW)	3.2	4	2.9	2.5
Rear left diameter (mm)	290	290	290	290
Rear right spec 2)	Induction	Rapid	Ceramic	Solid Plate
Rear right rating 3) (kW)	5.1	5.1	5.1	5.1
Rear right diameter (mm)	5.6	9.7	3.8	5.8
Rear spec 2)				
Rear rating 3) (kW)				
Rear diameter (mm)				
Front spec 2)				
Front rating 3) (kW)				
Front diameter (mm)				
ELECTRICAL CONNECTION				
Total rating (max) (kW)	3.2	4	2.9	2.5
Fuse rating (A)				
APPLIANCE DIMENSIONS				
Height (above worktop) (mm)				
Width (mm)	290	290	290	290
Depth (mm)	510	510	510	510
Net Weight (Kg)	5.6	9.7	3.8	5.8
APERTURE DIMENSIONS 1)				
Height (mm)				
Width (mm)	270	270	270	270
Depth (mm)	490	490	490	490
PACKAGING DIMENSIONS				
Height (mm)	120	120	120	120
Width (mm)	400	400	400	400
Depth (mm)	620	620	620	620
Gross weight (Kg)				
SAFETY AND INTERFERENCE SUPPRESSION				
Low Voltage Directive (LVD)	•	•	•	•
Electromagnetic Compatibility (EMC)	•	•	•	•
LITERATURE SUPPLIED				
Operation and installation instructions	•	•	•	•

Notes

- 1) Refer to user instructions before cutting out

COOKING: GAS HOBS



	ZG076534BA	ZG063414BA	ZG075524BA	ZGX65414BA	ZGG96624XA
HOB FEATURES					
Number of cooking zones	5	4	5	4	6
Ignition type	Integrated		Integrated	Integrated	Integrated
Control position	Front Middle	Side Right	Front Middle	Front Middle	Front Middle
Control type	Rotary	Rotary	Rotary	Rotary	Rotary
Wok burner	•	•	•		•
Safety Thermocouples	•	•	•	•	•
Cast iron pan supports	5	4			3
Enamel Pan Supports			•	•	
Design	Gas on glass	Gas on glass	Gas on glass	Gas on glass	Flat
ZONE SPECIFICATION					
Front left spec		Rapid	Semi Rapid	Semi Rapid	Rapid
Front left rating (kW)	0	2.9	1.9	2	3.0
Front left diameter (mm)	0	100	70	70	100
Front right spec	Semi Rapid	Auxiliary	Aux	Triple Crown	Triple
Front right rating (kW)	1.9	1	1.9	4	4.0
Front right diameter (mm)	70	54	70	122	122
Middle rear spec	Semi Rapid		Semi Rapid		Semi Rapid
Middle rear rating (kW)	1.9		1.9		2.0
Middle rear diameter (mm)	70		70		70
Middle front spec	Auxiliary		Semi Rapid		Semi Rapid
Middle front rating (kW)	1.0		1.9		2.0
Middle front diameter (mm)	54		70		70
Rear left spec	Triple	Semi Rapid		Aux	Auxiliary
Rear left rating (kW)	3.8	1.9		1	1.0
Rear left diameter (mm)	122	70		54	54
Rear right spec	Semi Rapid	Semi Rapid	Triple Crown	Semi Rapid	Auxiliary
Rear right rating (kW)	1.9	1.9	3.8	2	1.0
Rear right diameter (mm)	70	70	122	70	54
ELECTRICAL CONNECTION					
Total rating (max 3) (kW)	10.5	7.7			13
Fuse rating (A)					
APPLIANCE DIMENSIONS					
Height (above worktop) (mm)		40		8	
Width (mm)	740	580	680	590	894
Depth (mm)	510	510	510	520	510
Net Weight (Kg)	16.7	12.4	15.1	11.4	18.6
APERTURE DIMENSIONS					
Height (mm)		40	30	30	
Width (mm)	560	550	560	560	830
Depth (mm)	480	470	480	480	480
PACKAGING DIMENSIONS					
Height (mm)	160	150	150	180	150
Width (mm)	860	680	790	710	960
Depth (mm)	630	620	620	620	620
Gross weight (Kg)		13	15.8	12.7	
SAFETY AND INTERFERENCE SUPPRESSION					
Low Voltage Directive (LVD)	•	•	•	•	•
Electromagnetic Compatibility (EMC)	•	•	•	•	•
LITERATURE SUPPLIED					
Operation and installation instructions	•	•	•	•	•

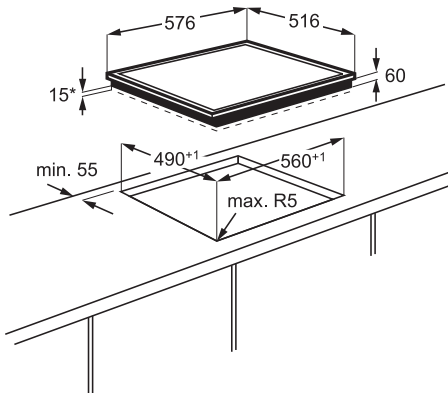


ZGG76524XA	ZGG66424XA/BA	ZGX66424XA	ZGG75524XA	ZGX65424XA	ZGG65411SA	ZGG62414WA
4	4	4	5	4	4	4
Integrated	Integrated	Integrated	Integrated	Integrated	Integrated	Integrated
Front Middle	Front Middle	Front Middle	Front Middle	Front Middle	Front Middle	Right
Rotary	Rotary	Rotary	Rotary	Rotary	Rotary	Rotary
•	•	•	•	•	•	•
•	•	•	•	•	•	•
3	2	•				
Flat	Flat	Flat	Flat	Flat	Flat	Flat
Semi Rapid	Semi Rapid	Semi Rapid	Semi Rapid Burner	Semi Rapid	Semi Rapid	Rapid
2.0	2.0	2	2.0	2	2.0	3.0
70	70	70	70	70	70	100
Auxiliary	Auxiliary	Triple Crown	Auxiliary	Triple Crown	Auxiliary	Auxiliary
1.0	1.0	4	1.0	4	1.0	1.0
54	54	122	54	122	54	54
Triple Crown			Triple Crown			
4.0			4			
122			122			
Semi Rapid	Semi Rapid	Aux	Semi Rapid	Aux	Semi Rapid	Semi Rapid
2.0	2.0	1	2.0	1	2.0	2.0
70	70	54	70	54	70	70
Rapid	Triple Crown	Semi Rapid	Rapid	Semi Rapid	Rapid	Semi Rapid
3.0	4.0	2	3.0	2	3.0	2.0
100	122	70	100	70	100	70
12	9		12		8	8
744	594	12	744	12	594	580
510	510	594	510	510	510	500
14.6	12.1	12.1	10.1	8.5	8.1	7.2
560	560	30	560	30	560	550
480	480	560	480	560	480	470
170	170	180	170	180	170	120
880	680	710	880	710	680	680
620	620	620	620	620	620	620
		12.7		9.1		
•	•	•	•	•	•	•
•	•	•	•	•	•	•
•	•	•	•	•	•	•

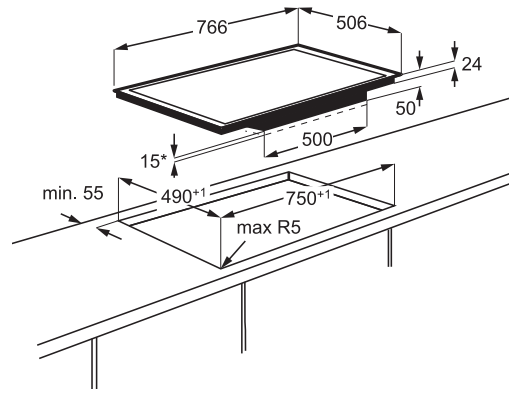
Notes

- 1) Refer to user instructions before cutting out
- 2) For gas conversion purpose 3.450 btu=1kW

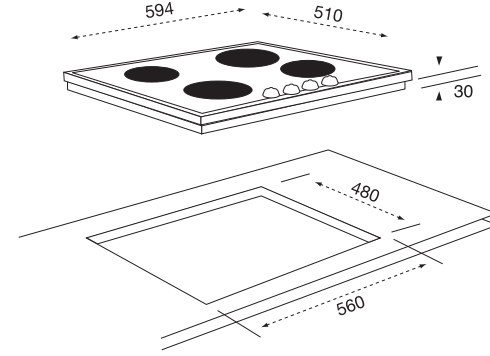
ZEM6740FBA



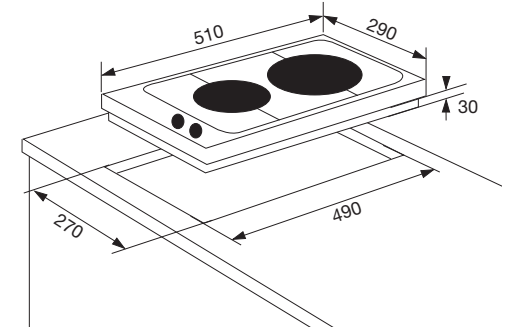
ZEI8640XBA



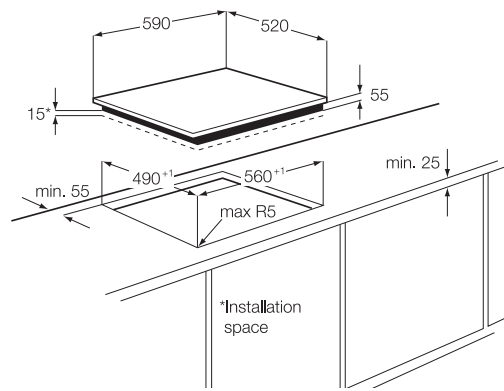
ZEE6940FXA



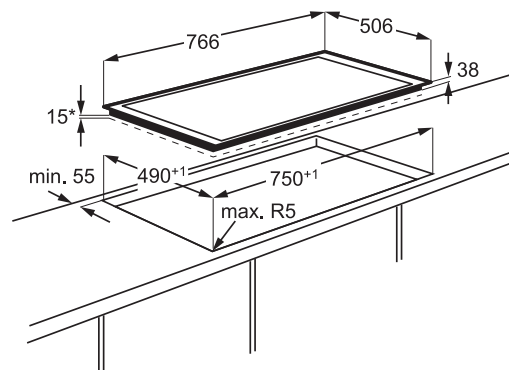
ZEE3921IXA / ZES3921IBA / ZGG35214XA / ZEI3921IBA



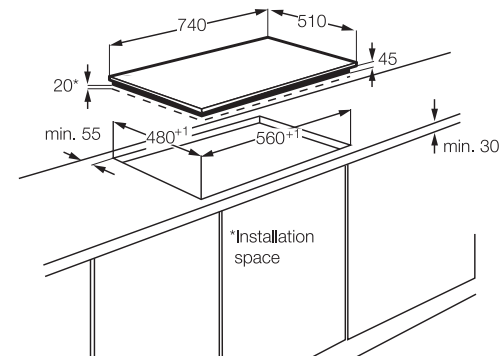
ZEL6640FBV / ZEV6240FBA / ZEI6840FBA



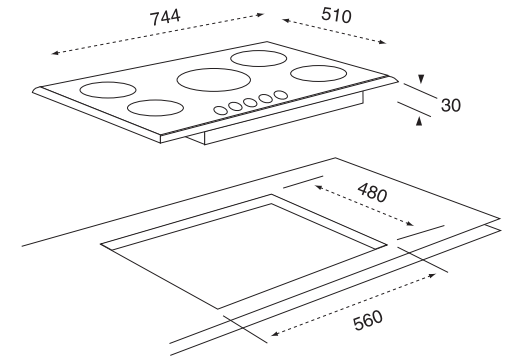
ZEV8646XBA



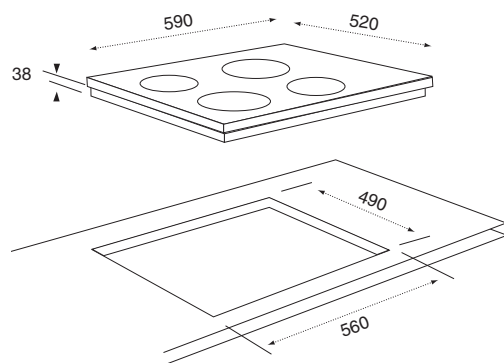
ZGO76534BA



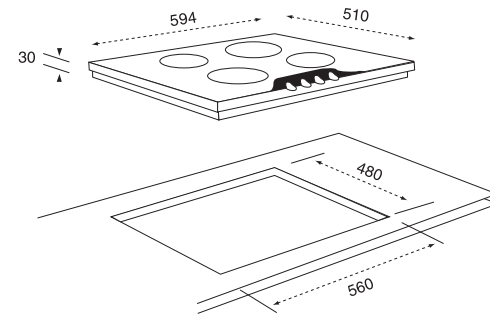
ZGO75524BA / ZGG76524XA / ZGG75524SA



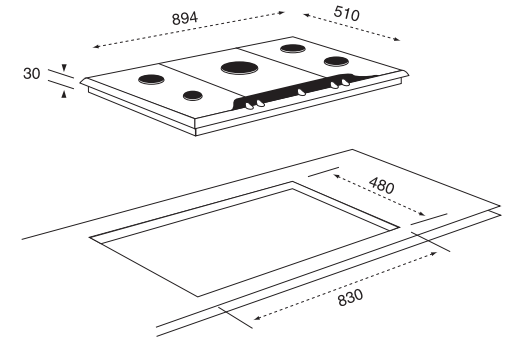
ZEV6940FBA



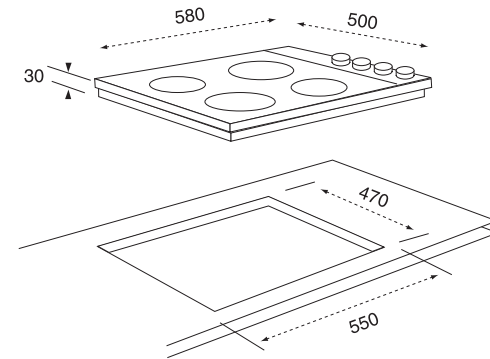
ZGO63414BA / ZGG66424XA / ZGG65411SA / ZGX65414BA



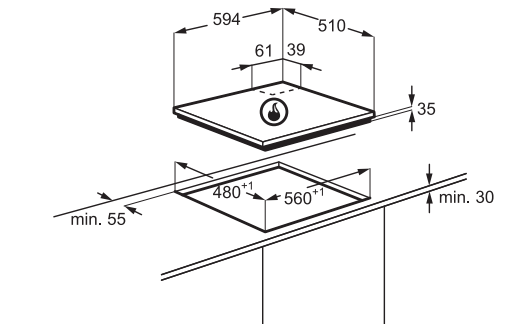
ZGG96624XA



ZGG62414WA



ZGX65424XA



HOODS MADE EASY

SCAN WITH
layar



SLEEK AND MODERN

Besides being functional, hoods are also a key design feature, complementing any kitchen. Take your pick from one of the many different styles within our range, from square to round shapes, with glass curves or a stainless steel finish. You can also choose between wall-mounted or island hoods.

CLEAR VIEW

Does it provide extra lighting? Yes, with Clear View. Halogen lights on the hood illuminate the hob so you can clearly see what you're cooking.



EASY TO MAINTAIN?

Very. Some of our hoods have washable filters that you can pop in your dishwasher. Others have saturation filters, which let you know when they need changing.



HIDDEN OR BUILT IN

How discreet will it be? Both types of hood will fit seamlessly into your kitchen. Our integrated hoods sit behind a door when not in use. Simply pull out the hood when you need it and fold it away when you're done, making it the ideal choice where space is tight. Traditional hoods are built neatly under a wall cupboard, with easy-to-reach controls.



COOKING

5 EASY TIPS FOR CHOOSING YOUR HOOD

Choosing the design of your hood is very important. Also consider these five easy tips to help you find the hood that's right for you.

TYPES OF HOOD



Chimney hood



Island hood



Downdraft hood



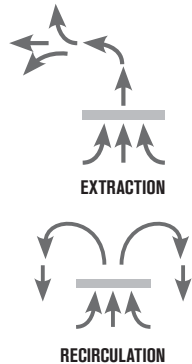
Integrated hood



Built under hood

1

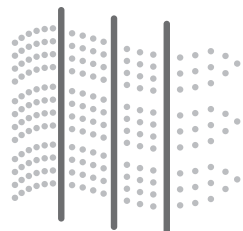
WHAT'S YOUR KITCHEN LIKE?



- Your hood can work by extraction or recirculation.
- Extraction is the most effective and works by sucking the stale air out of the kitchen through ducting, so you need an outside vent. The further your hood is from the exterior wall vent, the more powerful it needs to be to suck the air along the duct.
- With recirculation – the only option if you don't have an exterior vent – the stale air is sucked through a grease filter and then a charcoal filter to purify it before it is returned to the kitchen.

2

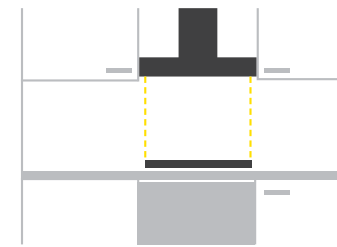
CLEAN AIR?



- For extraction hoods bear in mind it's important to have a strong motor, that will suck air fast.
- With recirculation you'll need a good filter to provide the best purification.

3

WHAT SIZE DO YOU NEED?



- Wall-mounted hoods should ideally be slightly larger than your hob.
- Island hoods need to be 8-15cm larger from each side than your hob.
- Your hood's extraction power is measured in cubic meters and shows how powerful your hood can be in changing the air. Your ideal airflow is 12 changes of air per hour. To work this out you need to calculate the volume of your kitchen:

Volume of your kitchen
(length x width x height)
eg 4m x 3m x 2.5m = 30m³
12 changes of air per hour
eg 12 x 30m³ = 360m³

4

WHAT FOOD DO YOU COOK?



- The more you fry and grill on the hob, cook spicy, fishy or other strong-smelling food or cook with steam, the more powerful your hood needs to be.

5

HOW QUIET DO YOU LIKE TO BE?



- All new cooker hoods have a noise level rating, measured in decibels (dB) – the lower the rating, the quieter the hood.
- For context, a normal conversation measures 62dB and a kettle boils at 42dB, so a hood with a 50-65dB rating is ideal.
- If you have an open plan kitchen, or you eat in it a lot, go for a lower rating (but don't compromise on capacity).

A GUIDE TO OUR HOODS ICONS

What do the new Zanussi Quadro™ cooking appliances do and why? Here's your quick guide to our handy functions and features.

HOOD FEATURES



Speed Settings

With 3 or 4 speed levels to choose from and even an intensive setting on some models, Zanussi hoods deliver extremely high extraction rates.



20m²

Suitable for kitchens up to this size, for optimum performance and clean air control.



16m²

Suitable for kitchens up to this size, for optimum performance and clean air control.



12m²

Suitable for kitchens up to this size, for optimum performance and clean air control.



Filters

Keep the kitchen fresh with Zanussi's easy to use filters. The majority of cooker hoods come with metal grease filters that can be washed in the dishwasher.



Low Noise Level

Zanussi hoods operate at a low noise level, which means that your kitchen is a fresh, quiet place to cook.



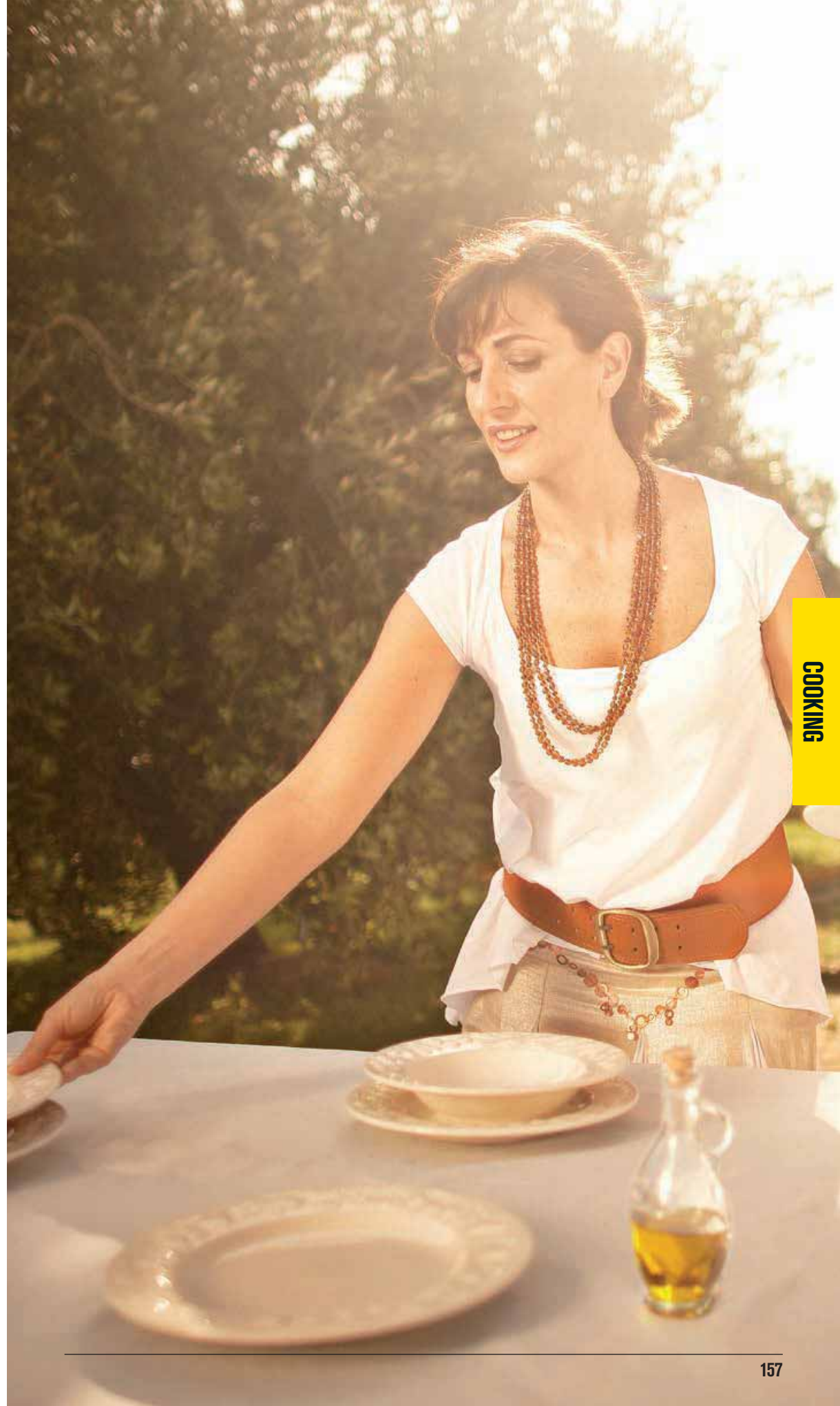
Recirculation

The hood draws in odours hanging in the air and re-circulates the clean air back into the kitchen. Charcoal filters are available as an optional accessory for those that do not.



Ducted

A more efficient mode of extraction, the hood is located near to an external wall and requires a ducting kit to extract odours outside. Ducting kits are available as an optional accessory.



COOKING



ZHC66540XA



Eye catching designer hood with glass canopy which will look stunning in any modern kitchen.

Specifications

- Stylish designer hood
- Variable 3 speed control plus intensive setting
- Push button controls
- 2 x halogen lights for bright illumination of the cooking area
- 1 washable metal grease filter
- 67dB(A) noise level
- Charcoal filter optional extra (EFF72)

Dimension Options

ZHC66540XA - 60cm

For installation diagrams see page 166



ZHC9234X



The sleek design of this hood will give your kitchen an extra stylish look.

Specifications

- Stylish curved glass design
- Variable 3 speed control
- Push button controls
- 2 x halogen lights for bright illumination of the cooking area
- 1 washable metal grease filter
- 65.5dB(A) noise level
- Charcoal filter optional extra (type 15)

Dimension Options

ZHC6234X - 60cm
ZHC9234X - 90cm

For installation diagrams see page 166



ZHC92661XA



The sleek design of this hood will give you an extra stylish look.

Specifications

- Stylish designer stainless steel hood
- Variable 3 speed control
- Push button controls
- 2 x halogen lights for bright illumination of the cooking area
- 1 washable metal grease filter
- 68dB(A) noise level
- Charcoal filter optional extra (type 15)

Dimension Options

ZHC92661XA - 90cm
ZHC62661XA - 60cm

For installation diagrams see page 166



ZHC62642XA



The sleek design of this hood will give you an extra stylish look.

Specifications

- Variable 3 speed controls
- Push button controls
- 2 x halogen lights for bright illumination of the cooking area
- 1 washable metal grease filter
- 73dB(A) noise level
- Charcoal filter optional extra (type15)

Dimension Options

ZHC62642XA - 60cm

For installation diagrams see page 166



EFC90151X



The effortless and clean design of this chimney cooker hood will complement your other kitchen appliances.

Specifications

- Variable 3 speed control
- Slider controls
- 1 x halogen light - for good visibility
- 3 washable aluminium metal grease filters
- 67dB(A) noise level
- Charcoal filter option (EFF75)

Colour and Dimension Options

EFC60151X - Stainless Steel
EFC60151W - White
EFC60151K - Black
EFC90151X - Stainless Steel
EFC90151K - Black

For installation diagrams see page 166



ZHI611G



This cooker hood seamlessly integrates under your kitchen cabinets and leaves your kitchen open and clean.

Push button controls make it easy to adjust the extraction rate of this cooker hood.

Specifications

- Variable 3 speed control
- Slider control
- 2 hob lights for good visibility
- Synthetic grease filter with saturation indicator
- Charcoal filter optional extra (EFF57)

Colour Options

ZHI611G - Grey

For installation diagrams see page 167



ZHT610



This cooker hood combines a traditional hood design with a choice of colours, from stainless steel to black and white.

Specifications

- Variable 3 speed control
- Slider controls
- 2 x halogen lights for bright illumination of the cooking area
- Synthetic grease filter with saturation indicator
- Charcoal filter optional extra (EFF57)

Colour Options

ZHT610X - Stainless steel
 ZHT610W - White
 ZHT610K - Black

For installation diagrams see page 167



EFB60X

Stylish stainless steel splashbacks.

Specifications

- Complements our range of stainless steel ovens, hobs and hoods
- Easy to wipe clean

Dimension Options

EFB60X - 60cm x 70cm
 EFB90X - 90cm x 70cm
 EFB675X - 60cm x 75cm
 EFB975X - 90cm x 75cm
 EFB175X - 100cm x 75cm

For installation diagrams see page 167

COOKING: HOODS



	ZHC66540XA	ZHC9234X	ZHC6234X	ZHC92661XA
SPECIFICATION				
Fan speeds	3	3	3	3
Control type	Push buttons	Push buttons	Push buttons	Push buttons
Hob illumination (H=halogen) (Watts)	2x20	2x20	2x20	2x20
Extraction/recirculation operation	•	•	•	•
Grease filters	•	•	•	•
INSTALLATION HEIGHT FROM				
Electric hob (mm)		500	500	500
Gas hob (mm)		650	650	650
DIMENSIONS				
Extraction maximum ca.m ³ /h	520	515	515	603
Recirculation maximum ca.m ³ /h	300	325	325	329
Recirculation intensive ca.m ³ /h	320			
Noise (max. setting) extraction dB(A)	67	65.5	65.5	68
Recirculation noise (max. setting) dB(A)	62	71.0	71.0	74
ADDITIONAL EQUIPMENT REQUIRED				
For ducting: Ventilation hose and wall box				
Ventilation hose: diameter (mm)		150	150	150
For recirculation: (optional accessory) charcoal filter	EFF72	type15	type15	type15
ELECTRICAL CONNECTION				
Connected load (Watts)				
Fuse rating (A)	13	13	13	13
APPLIANCE DIMENSIONS				
Height for extraction (mm)	769 - 1044	672 - 1130	672 - 1130	622 - 1152
Height for recirculation (mm)	769 - 1044	672 - 1130	672 - 1130	699 - 1152
Width (mm)	598	900	600	898
Depth (mm)	485	450	450	450
Net weight (kg)	15.0	15.8	14.0	13.8
PACKAGING DIMENSIONS				
Height (mm)	570	570	570	570
Width (mm)	680	980	686	980
Depth (mm)	515	515	515	515
Gross weight (kg)	22.0	22.3	20.0	18.7
SAFETY & INTERFERENCE SUPPRESSION				
Low Voltage Directive (LVD)	•	•	•	•
Electromagnetic Compatibility (EMC)	•	•	•	•
LITERATURE SUPPLIED				
Operation and installation instructions	•	•	•	•

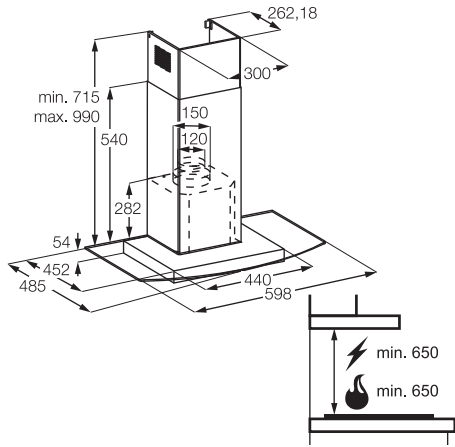


	ZHC62661XA	ZHC62642XA	EFC60151X/EFC90151	ZHI611G	ZHT610
SPECIFICATION					
Fan speeds	3	3	3	3	3
Control type	Push buttons	Push buttons	Slider	Slider	Slider
Hob illumination (H=halogen) (Watts)	2x20	2x40	2x40	2x40	2x40
Extraction/recirculation operation	•	•	•	•	•
Grease filters	•	•	•	•	•
INSTALLATION HEIGHT FROM					
Electric hob (mm)	500	500	650	650	650
Gas hob (mm)	650	650	650	650	650
DIMENSIONS					
Extraction maximum ca.m ³ /h	603	603	430	210	200
Recirculation maximum ca.m ³ /h	329	399	270	180	165
Recirculation intensive ca.m ³ /h					
Noise (max. setting) extraction dB(A)	68	70	61	62	61
Recirculation noise (max. setting) dB(A)	74	73	60	61	60
ADDITIONAL EQUIPMENT REQUIRED					
For ducting: Ventilation hose and wall box			•		
Ventilation hose: diameter (mm)	150	150	150	100	100
For recirculation: (optional accessory) charcoal filter	type15	type15	EFF75	EFF57	EFF57
ELECTRICAL CONNECTION					
Connected load (Watts)			230		
Fuse rating (A)	13	13	13	13	13
APPLIANCE DIMENSIONS					
Height for extraction (mm)	622 - 1152	639 - 1166	670 - 925	350	129
Height for recirculation (mm)	699 - 1152	673 - 1166			
Width (mm)	598	598	598	598	598
Depth (mm)	450	450	502	270	450
Net weight (kg)	11.9	13.0	8.4	10.5	6.2
PACKAGING DIMENSIONS					
Height (mm)	570	405	645	410	510
Width (mm)	980	775	680	700	645
Depth (mm)	515	645	410	330	180
Gross weight (kg)	15.8	18.6	10.28	11.9	7.2
SAFETY & INTERFERENCE SUPPRESSION					
Low Voltage Directive (LVD)	•	•	•	•	•
Electromagnetic Compatibility (EMC)	•	•	•	•	•
LITERATURE SUPPLIED					
Operation and installation instructions	•	•	•	•	•

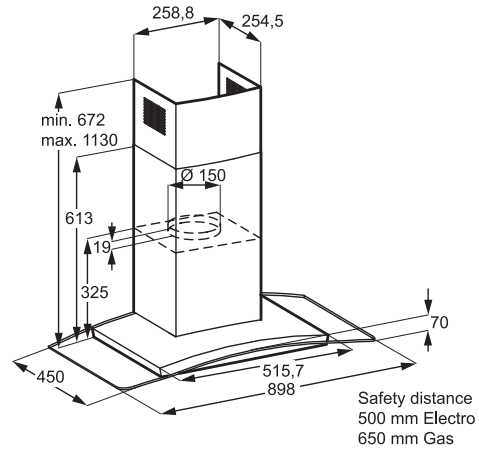
Notes

- 1) For installation aperture dimensions see installation instructions
- 2) CDK5F120mm (5") diameter flexible ducting kit, 1 metre length.
For use with all hoods up to 1 metre ducting.
CDK5FR
120mm (5") diameter flexible ducting kits for ducting of hoods situated away from exterior wall, up to 3 metres.
CDK6FR
150mm (6") diameter ducting kits for ducting of hoods situated away from exterior wall, up to 3 metres.
- 3) 120cm outlet adaptor included

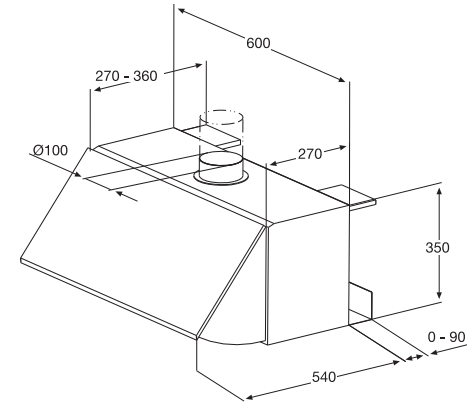
ZHC66540XA



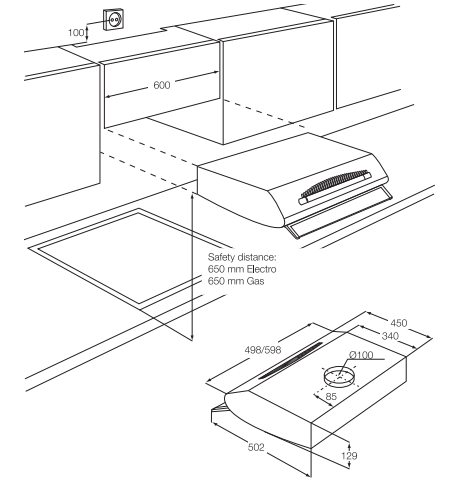
ZHC9234X



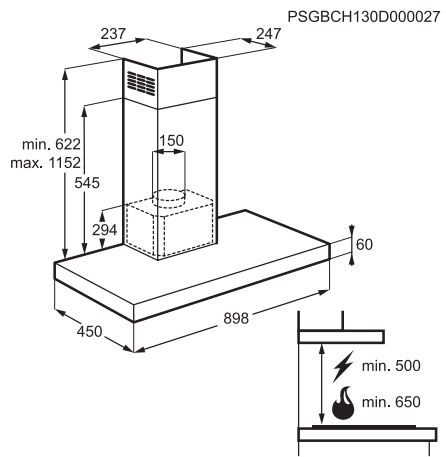
ZHI611G



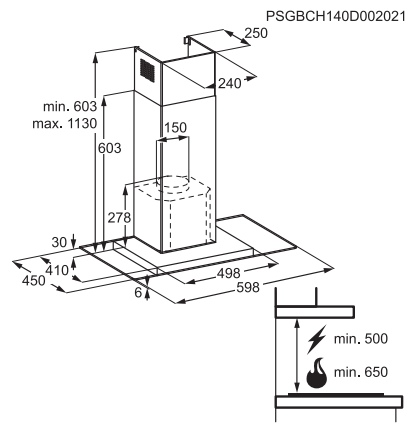
ZHT610



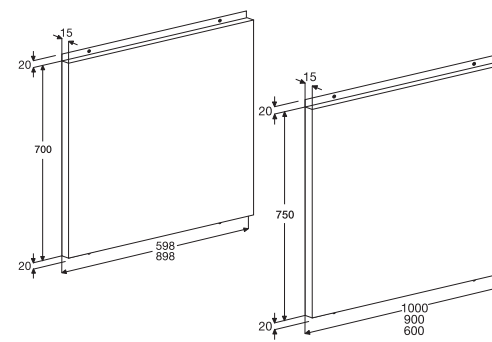
ZHC92661XA



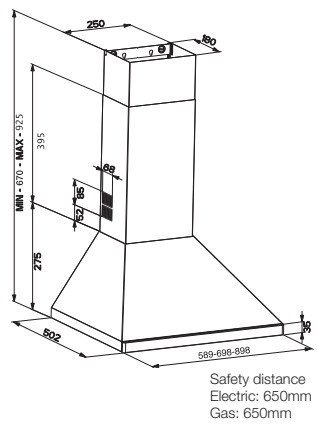
ZHC62642XA



EFB60X/EFB90/EFB675/EFB975/EFB175



EFC90151X/W/K





EASY CLEANING

Our dishwashers make it really easy to get your dishes sparkling clean in no time. Quick Wash takes just 30 minutes, and the Auto Programme does all the thinking for you. Even selecting the temperature, time and the right amount of water, saving you energy.



EASY TIPS

Clean your dishwasher with vinegar, just place small cup in your dishwasher's top rack, fill it with a small amount of white vinegar and run the dishwasher as usual.

  Follow the #EasyTeam
easy-tips.tumblr.com



DOWNLOAD FREE
LAYAR APP



SCAN PAGES WITH
LAYAR LOGO



DISCOVER MORE

Freestanding cleaning	174
Built-in cleaning	178
How they compare	182

A GUIDE TO OUR DISHCARE ICONS

What do the Zanussi dishcare appliances do and why? Here's your quick guide to our handy functions, safety features and energy ratings.



FAST



Quick 60°C Wash Programme

This unique programme is perfect for people on the go. It washes all the freshly soiled crockery from an evening meal for a family of four in just 30 minutes and with a temperature of 60°C, you will get an 'A' rated wash performance. No need to compromise quality for time.



XtraDry

Activating the XtraDry function improves the drying results of wash programmes, useful if you wash lots of plastic items.



HANDY



Time Display

Quite literally giving you the power to control your time, the delay start lets you delay the start time of the dishwasher by up to 24 hours, whilst the time remaining tells you how long you have until you have to unload.



Multitab

Knowing that convenience is everything, especially when it comes to detergent, our dishwashers feature the Multitab option, adjusting the wash programme to ensure the very best results when using 3in1, 4in1, or 5in1 detergent.



Delay Start

Some Zanussi models feature a delay start option of up to 3, 6 or 9 hours allowing you to wash when it suits you.



Rinse and hold

Ideal for pre-washing items until the dishwasher is fully loaded.

WHAT TO LOOK OUT FOR...



Fast. Clever Zanussi features to get things done quicker.



Handy. The things you couldn't live without.



Simple. The touches that make Zanussi so easy to use.



Smart. Practical solutions from great Zanussi thinking.



SIMPLE



A++AA

Energy efficiency A++, cleaning performance A, drying performance A.



A+AA

Energy efficiency A+, cleaning performance A, drying performance A.



AAA

Energy efficiency A, cleaning performance A, drying performance A.



AAB

Energy efficiency A, cleaning performance A, drying performance B.



SMART



Flexible Baskets

Allows you to adjust the height of the upper baskets, sometimes even when it is fully loaded, so that large items (like pots and pans) can fit into the lower basket. The racks can also be folded flat, great for all sizes of plates, dishes and pans.



Auto Half Load

Zanussi know you don't always have time to wait for a full load, all our dishwashers are designed to automatically determine whether there is a full or half load and will adapt the water and energy accordingly.



Auto Off

Zanussi goes further to save you money off your energy bills. These dishwashers automatically switch off completely once the program has finished, eliminating energy use in standby mode.

CLEANING MADE EASY



FREE TIME

It only takes 9 minutes to load and unload 13 place settings in a dishwasher, while it takes 60 minutes to wash the same load by hand. Zanussi dishwashers will help you gain back a week per year. Saving you time to do the things you really love.

AUTO

Can a dishwasher pick the programme? Press Auto Programme and it will select the most efficient setting to thoroughly clean your plates. This feature is available in selected models across our range of standard size, slim and compact dishwashers.

ENERGY FRIENDLY

We are always thinking of ways to save energy. Zanussi offers the full 60cm range in Energy Class A+ and A++. Kinder to the environment and your wallet.

QUICK WASH

We can get your dishes sparkling in just 30 minutes! Imagine the convenience. When you are short of time, simply put on the Quick Wash cycle at 65°C for freshly soiled crockery, and you'll have clean plates in half the time. Great when you're in a hurry.



SET & GO

Run your dishwasher when it suits you! While you're tucked up in bed if you wish, why not make the most of the cheaper tariff. You can decide the best timing delay from 1 hour up to 24 hours.



AUTO-HALF LOAD

Zanussi know you don't always have time to wait for a full load, so all our dishwashers are designed to automatically determine whether there is a full or half load and will adapt the water and energy accordingly.



FREESTANDING CLEANING: DISHWASHERS

ZDF26011XA/WA



At the touch of a button, Zanussi's unique Auto Programme sets the optimum temperature, duration and water use for your load. It covers the widest range of temperatures from 45°C to 70°C, great for everything from your wine glasses to your dirty dishes.

30 minute Quick Wash is a specially designed programme, perfect for people on the go. It washes all the freshly soiled crockery from an evening meal for a family of four in just 30 minutes at 60°C, whilst maintaining an A rated wash performance.

Specifications

- Capacity: 13 place settings
- Number of programmes: 5
- Large LED display
- A rated Quick Wash
- Automatic 45-70°C wash
- Economy 50°C with prewash
- Rinse and hold
- Residual drying system
- Soft spikes
- Full adjustable upper basket
- Foldable plate rack
- Foldable cup shelves
- XtraDry option
- Salt and rinse aid indicators
- Up to 24 hours delay start
- Time remaining indicator

Colour Options

ZDF26011XA - Stainless steel
ZDF26011WA - White

Auto half load

No need to wait for a full load, all our dishwashers have the auto half load function which will determine the load and adapt water and energy accordingly.

ZDF26001WA/XA



At the touch of a button, Zanussi's unique Auto Programme sets the optimum temperature, duration and water use for your load. It covers the widest range of temperatures from 45°C to 70°C, great for everything from your wine glasses to your dirty dishes.

The 30 minute Quick Wash programme is perfect for people on the go. It washes all the freshly soiled crockery from an evening meal for a family of four in just 30 minutes at 60°C, whilst maintaining an A rated wash performance. So there's no need to compromise on quality for time.

Specifications

- Capacity: 13 place settings
- Number of programmes: 5
- Large LED display
- A rated Quick Wash
- Automatic 45-70°C wash
- Economy 50°C with prewash
- Rinse and hold
- Residual drying system
- Full adjustable upper basket
- Foldable plate rack
- Foldable cup shelves
- XtraDry option
- Salt and rinse aid indicators
- Up to 24 hours delay start
- Time remaining indicator

Colour Options

ZDF26001WA - White
ZDF26001XA - Stainless steel

FREESTANDING CLEANING: DISHWASHERS

ZDF21001NA/WA/XA



The Quick Wash programme is perfect for people on the go. It washes all the freshly soiled crockery from an evening meal for a family of four in just 30 minutes at 60°C, whilst maintaining an A rated wash performance. So there's no need to compromise on quality for time.

Specifications

- Capacity: 13 place settings
- Number of programmes: 5
- A rated Quick Wash
- Economy 50°C with prewash
- Rinse and hold
- Residual drying system
- Full adjustable upper basket
- Fixed plate rack
- Foldable cup shelves
- Salt and rinse aid indicators
- Up to 3 hour delay start

Colour Options

- ZDF21001NA – Black
- ZDF21001WA – White
- ZDF21001XA – Stainless steel



FREESTANDING CLEANING: SLIMLINE & COMPACT



ZDS22002WA



The Quick Wash programme is perfect for people on the go. It washes all the freshly soiled crockery from an evening meal for a family of four in just 30 minutes at 60°C, whilst maintaining an A rated wash performance. So there's no need to compromise on quality for time.

Specifications

- Capacity: 9 place settings
- Number of programmes: 5
- A Rated Quick Wash
- Intensive programme 70°C - in just 89 minutes
- Economy 50°C
- Residual drying system
- Foldable cup shelves
- Up to 3 hours delay start

Colour Options

- ZDS22002WA – White

ZDM17301WA/SA



Compact outside but spacious inside, this efficient dishwasher is perfect for small households.

The 20 minute party programme is perfect for cleaning those recently used glasses and cups.

Specifications

- Capacity: 6 place settings
- Number of programmes: 6
- Residual drying system
- Salt and rinse aid indicators
- Up to 24 hour delay start
- Time remaining indicator
- 20 minute party programme
- 30 minute Quick Wash

Colour Options

- ZDM17301WA – White
- ZDM17301SA – Silver

BUILT-IN CLEANING: DISHWASHERS

ZDT26010FA



At the touch of a button, Zanussi's unique Auto Programme sets the optimum temperature, duration and water use for your load. It covers the biggest range of temperatures from 45°C to 70°C, great for everything from your wine glasses to your dirty dishes. Plus 30 minute Quick Wash option.

Specifications

- Capacity: 13 place settings
- Number of programmes: 7
- Number of temperatures: 4
- Residual drying system
- Automatic 45-70°C wash
- Quick Wash 60°C
- Foldable plate rack
- Foldable cup shelves
- Rinse and hold
- Soft spikes
- Half Load & XtraDry options
- Salt & rinse aid indicators
- Up to 24 hours delay start



For installation diagrams see page 185

ZDT24001FA



At the touch of a button, Zanussi's unique Auto Programme sets the optimum temperature, duration and water use for your load. It covers the biggest range of temperatures from 45°C to 70°C, great for everything from your wine glasses to your dirty dishes. Plus 30 minute Quick Wash option.

Specifications

- Capacity: 13 place settings
- Number of programmes: 5
- Number of temperatures: 4
- Economy 50°C
- Quick Wash 60°C
- Automatic 45-70°C wash
- Foldable plate rack
- Salt indicator
- Residual drying system
- Up to 9 hours delay start
- XtraDry option



For installation diagrams see page 185

BUILT-IN CLEANING: SLIMLINE DISHWASHER

ZDV12002FA



At just 45cm in width, this super-slim dishwasher fits easily into most spaces, so even if room is limited, you can still avoid the washing up!

The Quick Wash programme gives an A rated wash performance in just 30 minutes.

Specifications

- Capacity: 9 place settings
- Number of programmes: 5
- Number of temperatures: 3
- A rated Quick Wash
- Intensive programme 70°C - in just 89 minutes
- Economy 50°C
- Normal 65°C with pre-rinse
- Fixed plate rack
- Foldable cup shelves
- Residual drying system



For installation diagrams see page 185

SEMI INTEGRATED: DISHWASHER

ZDI22001XA



The unique Quick Wash programme is perfect for people on the go. It washes all the freshly soiled crockery from an evening meal for a family of four in just 30 minutes at 60°C, whilst maintaining an A rated wash performance. So there's no need to compromise on quality for time.

Specifications

- Capacity: 13 place settings
- Number of programmes: 5
- A rated Quick Wash
- Intensive programme 70°C - in just 89 minutes
- Economy 50°C
- Normal 65°C with pre-rinse
- Fixed plate rack
- Foldable cup shelves
- Residual drying system
- Delay start: 3 hrs



For installation diagrams see page 185

BUILT-IN CLEANING: DISHWASHERS



	Fully integrated ZDT26010FA	Fully integrated ZDT24001FA
FEATURES		
Capacity (number of IEC place settings)	13	13
Electronic controls	•	•
LED programme progress indicator	•	•
End of programme alarm	•	•
Delay start	•	•
Salt refill indicator	•	•
Rinse aid refill indicator	•	•
Half load option	•	•
XtraDry option	•	•
Number of programmes	7	5
Number of temperature options	4	4
INTERIOR		
Upper basket height	Adjustable full load	Adjustable
Cup shelves	4 Plastic	4 Plastic
Lower basket plate racks	Foldable	Foldable
Cutlery basket	•	•
Automatic rinse aid dispenser / Automatic detergent dispenser	• / •	• / •
Drying	Residual	Residual
Stainless steel interior	•	•
INSTALLATION FEATURES		
Worktop steam protection	•	•
Top & side fixing brackets	•	•
Recessed plinth	•	•
Feet-3 (front adjustment block)	•	•
PERFORMANCE		
Declared Programme	Eco 50	Eco 50
Energy efficiency class	A++	A+
Energy efficiency index	55.9	62.9
Annual energy consumption kWh	262	295
Annual water consumption litres	2775	3080
Energy consumption kWh	0.93	1.05
Water consumption litres	9.9	11
Drying performance	A	A
Maximum noise level dB(A) re 1pw	47	49
Cleaning performance	A	A
Programme time mins	195	195
Stand-by power (W)	0.1	0.1
Off mode power (W)	0.1	0.1
Left-on mode power (W)	0.99	0.99
ELECTRIC CONNECTION		
Connected load KW / Fuse rating A	2.2/13	2.2/13
APPLIANCE DIMENSIONS		
Height / Width / Depth (mm)	818 x 596 x 555	818 x 596 x 555
BUILT-IN DIMENSIONS		
Height / Width / Depth (mm)	820-880 x 600 x 570	820-880 x 600 x 570
FURNITURE DOOR DIMENSIONS		
Height / width (mm)	645-720 / 596	645-720 / 596
Net Weight (kg)	36.92	36.92



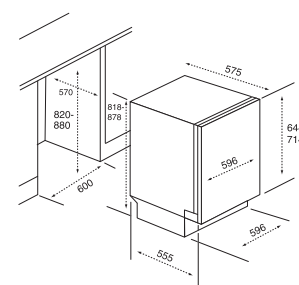
	Slimline ZDV12002FA	Semi integrated ZDI22001XA
FEATURES		
Capacity (number of IEC place settings)	9	13
Electronic controls	•	•
LED programme progress indicator	•	•
End of programme alarm	•	•
Delay start	•	•
Salt refill indicator	•	•
Rinse aid refill indicator	•	•
Half load option	•	•
XtraDry option	•	•
Number of programmes	5	5
Number of temperature options	3	3
INTERIOR		
Upper basket height	Adjustable	Adjustable
Cup shelves	4 Plastic	4 Plastic
Lower basket plate racks	Fixed	Fixed
Cutlery basket	•	•
Automatic rinse aid dispenser / Automatic detergent dispenser	• / •	• / •
Drying	Residual	Residual
Stainless steel interior	•	•
INSTALLATION FEATURES		
Worktop steam protection	•	•
Top & side fixing brackets	•	•
Recessed plinth	•	•
Feet-3 (front adjustment block)	•	•
PERFORMANCE		
Declared Programme	Eco 50	Eco 50
Energy efficiency class	A	A+
Energy efficiency index	70.9	62.9
Annual energy consumption kWh	250	295
Annual water consumption litres	2660	3080
Energy consumption kWh	0.87	1.04
Water consumption litres	9.5	11
Drying performance	A	A
Maximum noise level dB(A) re 1pw	53	49
Cleaning performance	A	A
Programme time mins	225	195
Stand-by power (W)	0.5	0.99
Off mode power (W)	0.5	0.5
Left-on mode power (W)	0.5	0.5
ELECTRIC CONNECTION		
Connected load KW / Fuse rating A	2.2/13	2.2/13
APPLIANCE DIMENSIONS		
Height / Width / Depth (mm)	818 x 446 x 550	818 x 596 x 575
BUILT-IN DIMENSIONS		
Height / Width / Depth (mm)	820-900 x 450 x 570	820-880 x 600 x 570
FURNITURE DOOR DIMENSIONS		
Height / width (mm)	644-720 / 446	528-598 / 596
Net Weight (kg)	29.74	38.12

Notes

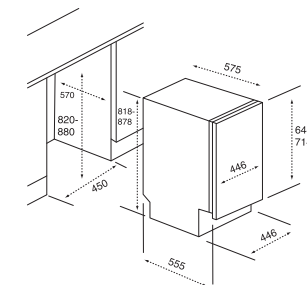
All models cold water fill

- 1) Energy consumption is stated in kWh per standard test cycle, using cold water fill. Actual consumption will depend on how the appliance is used.
- 2) Estimated annual consumption based on 220 washing cycles.
- 3) Models with an 'A' rated classification offer a higher performance than those with a 'G' rating.
- 4) Time taken for a standard test cycle, using cold water fill.

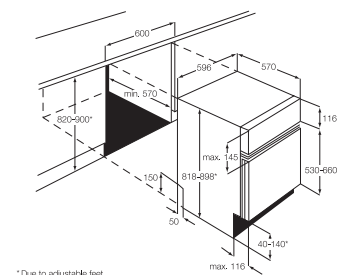
ZDF26010FA / ZDT24001FA



ZDV12002FA



ZDI22001XA



* Due to adjustable feet plinth height, if appliance height 820, 40-140 mm plinth height, if appliance height 900, 100-200



EASY LAUNDRY

Press and go. Loaded with large capacity, easy and quick programmes to save you time, while consuming less resources.



EASY TIPS

Clean your dishwasher with vinegar, just place small cup in your dishwasher's top rack, fill it with a small amount of white vinegar and run the dishwasher as usual.

  Follow the #EasyTeam
easy-tips.tumblr.com



DOWNLOAD FREE
LAYAR APP



SCAN PAGES WITH
LAYAR LOGO



DISCOVER MORE

Freestanding laundry	192
How they compare	200
Built-in laundry	206
How they compare	208

A GUIDE TO OUR LAUNDRY ICONS

What do the Zanussi laundry appliances do and why? Here's your quick guide to our handy functions, safety features and energy ratings.



FAST



Spin Speed

Each 200rpm increase will reduce tumble drying time by 10 minutes.



XXL Door

Choose a model with an extra large door for easy loading and unloading.



Quick Wash

Reduce cycle times by up to 50% with the quick wash option.



Mini 30' Programme

The Mini 30' programme is ideal for once worn clothes or clothes you need in a hurry; washing up to 13 items in 30 minutes at 30°C.



AutoAdjust (Tumble Dryers)

Sensor drying programmes automatically stop when your clothes are dry, saving you time and money.



Extra Rinse

An optional extra rinse phase ensures that no detergent is left behind in case of over dosing.



Easy Iron Programme

The Easy Iron programme keeps the load moving and uses a cool down phase with cold water, to protect garments from developing permanent creases.



HANDY



Wash Capacity

Larger wash capacities let you wash more in one load, saving you time and money.



Wash + Dry Capacity

With large wash to dry capacities, you can conveniently wash + dry continuously without having to remove clothes between washing and drying cycles.



Finish In

Finish In is an intuitive delay start feature, that lets you decide when you want the cycle to end.



Delay Start

Delay Start allows you to start the wash cycle when it suits you.



Power Jet

A powerful water jet, located inside the detergent drawer, ensures that no detergent residue is left behind at the end of the wash cycle.



Prewash

The Prewash option adds stain remover to the load prior to the main cycle, to help loosen dirt and tackle tough stains.



Duvet Programme

Keep your duvet looking fresh and new with a dedicated duvet programme.

WHAT TO LOOK OUT FOR...



Fast. Clever Zanussi features to get things done quicker.



Handy. The things you couldn't live without.



Simple. The touches that make Zanussi so easy to use.



Smart. Practical solutions from great Zanussi thinking.



SIMPLE



Wash Performance

With A-rated wash performance as standard, all of our washing machines can tackle the toughest loads.



Spin Performance

The spin performance rating measures how well your machine removes excess water during the spin cycle.



AquaFall

AquaFall delivers the water and detergent to the centre of the load quickly, to optimise detergent distribution.



FlexiDose

The FlexiDose system ensures that liquid detergent that is placed in the detergent drawer doesn't enter the drum too early.



Auto Off

Auto Off switches off your machine when the programme has finished, to minimise energy consumption.



LCD Display

The stylish 3-digit LCD display provides you with real time information about the options selected and the progress of your wash.



Mix 20° Programme

Mix cottons, synthetics and colours with the special 'Mix 20°' cool-wash programme.



SMART



Energy Rating

With energy ratings up to A+++, our washing machines are easy on the environment and easy on your wallet.



Gentle Care Drum

Our soft-pattern, gentle care drum helps protect your delicates.



Large Capacity Drum

Our large capacity machines, with an extra large drum, allow you to wash large loads with ease.



AutoAdjust (Washing Machines)

AutoAdjust saves you time, and reduces energy and water consumption by automatically adjusting the cycle to suit the load.



Inverter Motor

The powerful brushless inverter motor is quiet, durable, and can drive large loads at higher speeds, giving a powerful wash performance in shorter wash times.



Heat Pump (Tumble Dryers)

Heat Pump tumble dryers recycle warm air to maximise energy efficiency.



Wool/Handwash Programme

The Wool programme reduces drum rotation to ensure clothes are gently moved in the water to reduce stretching of delicate fabrics and woollens.

FREESTANDING LAUNDRY MADE EASY

JUST IN TIME

When do you want your laundry cycle to end? Simply use the Finish In feature and select anywhere from 3 - 20 hours, and it will be ready and waiting for you.



10^{KG} = 

Some of our models have an extra large 10KG capacity, so you can wash up to 50 shirts in one go.

A⁺⁺⁺

ENERGY EFFICIENT

All of our washing machines have an A+++ energy rating, helping you limit your energy consumption and lower your bills.



INVERTER MOTOR

We've built durability into your machine and less maintenance with an Inverter motor. Great for quieter wash cycles, too.



AUTOMATIC SAVING

Save time and reduce your energy and water consumption thanks to the AutoAdjust feature. It automatically adjusts the cycle time, and water and energy use to suit the size of the load.

STAY-CLEAN DRAWER

The detergent dispenser is always clean, thanks to high pressure water jets, which leave no sticky residues and prevent mould from forming.



30 MIN PROGRAMME

The quick and easy everyday programme is automatically selected when you turn on the washing machine. So all you have to do to wash your clothes in 30 minutes at 30 degrees is press 'start' – and you're off!



EASY LOADING

The generously sized XXL door makes it easier and effortless to load and unload your laundry.



LAUNDRY

LAUNDRY: WASHING MACHINES



ZWF01483WH



Our large capacity machines, with an extra large drum, allow you to wash large loads with ease.

The powerful brushless inverter motor is quiet, durable, and can drive large loads at higher speeds, giving a powerful wash performance in shorter wash times.

Specifications

- 10kg load capacity
- 1400rpm spin speed
- A+++ -20% energy efficiency
- Large capacity drum
- Inverter motor
- AutoAdjust sensor technology
- Gentle care drum
- XXL door
- PowerJet technology
- Finish In delay end technology



ZWF91483WH



Our large capacity machines, with an extra large drum, allow you to wash large loads with ease.

The powerful brushless inverter motor is quiet, durable, and can drive large loads at higher speeds, giving a powerful wash performance in shorter wash times.

Specifications

- 9kg load capacity
- 1400rpm spin speed
- A+++ -20% energy efficiency
- Large capacity drum
- Inverter motor
- AutoAdjust sensor technology
- Gentle care drum
- XXL door
- PowerJet technology
- Finish In delay end technology

LAUNDRY: WASHING MACHINES



ZWF81463WH



AutoAdjust saves you time and reduces energy and water consumption by automatically adjusting the cycle to suit the load.

Our soft-pattern, gentle care drum is gentle to delicates.

Specifications

- 8kg load capacity
- 1400rpm spin speed
- A+++AB energy efficiency
- AutoAdjust sensor technology
- Gentle care drum
- XXL door
- PowerJet technology
- AquaFall wash system
- Duvet programme
- Finish In delay end technology



ZWF71463W



AutoAdjust saves you time and reduces energy and water consumption by automatically adjusting the cycle to suit the load.

Our soft-pattern, gentle care drum is gentle to delicates.

Specifications

- 7kg load capacity
- 1400rpm spin speed
- A+++AB energy efficiency
- AutoAdjust sensor technology
- Gentle care drum
- XXL door
- PowerJet technology
- AquaFall wash system
- Finish In delay end technology



ZWF81243W



This washing machine has everything you really need and is so easy to use. If time is of the essence, the Quick Wash option can reduce cycle times by up to 50%.

Specifications

- 8kg load capacity
- 1200rpm spin speed
- A+++AB energy efficiency
- AutoAdjust sensor technology
- Gentle care drum
- PowerJet technology
- AquaFall wash system
- Mix 20° programme
- Mini 30' programme
- Easy iron programme
- Quick Wash option
- Wool / Handwash programme
- Delay start



ZWF71243W



This washing machine has everything you really need and is so easy to use. If time is of the essence, the Quick Wash option can reduce cycle times by up to 50%.

Specifications

- 7kg load capacity
- 1200rpm spin speed
- A+++AB energy efficiency
- AutoAdjust sensor technology
- Gentle care drum
- PowerJet technology
- AquaFall wash system
- Mix 20° programme
- Mini 30' programme
- Easy iron programme
- Quick Wash option
- Wool / Handwash programme
- Delay start



ZWC1301



A compact washing machine ideal where space is restricted or load sizes are small.

The Mini 30' programme is ideal for once worn clothes or clothes you need in a hurry; washing up to 13 items in 30 minutes at 30°C.

Specifications

- 3kg load capacity
- 1300rpm spin speed
- ABB energy efficiency
- Child lock
- Mini 30' programme
- Delicates programme
- Wool / Handwash programme
- Quick Wash option
- Delay start

LAUNDRY: TUMBLE DRYERS



ZDH8333PZ



Heat Pump tumble dryers recycle warm air to maximise energy efficiency. This means saving up to 50% of the energy used, compared to a standard dryer.

This tumble dryer has a 8kg capacity, for drying more in one go. That means fewer loads and less hassle.

Specifications

- Heat pump condenser
- 8kg load capacity
- A+ energy efficiency
- Heat Pump air system
- Sensor Drying
- Easy Iron programme
- Wool / Handwash programme
- Delay start



ZDC8203W



This tumble dryer has a 8kg capacity, for drying more in one go. That means fewer loads and less hassle.

The easy iron programme does most of the work for you by helping to reduce wrinkles in your clothes.

Specifications

- Condenser
- 8kg load capacity
- B energy efficiency
- Sensor Drying
- Easy Iron programme
- Wool / Handwash programme
- Anti-Crease option
- Delay start option



ZDP7203PZ



This condenser tumble dryer has sensor drying technology to tailor the drying time to your load.

The easy iron programme does most of the work for you by helping to reduce wrinkles in your clothes.

Specifications

- Condenser
- 7kg load capacity
- B energy efficiency
- Sensor Drying
- Anti-Crease option
- Delay start option



ZTE7101PZ



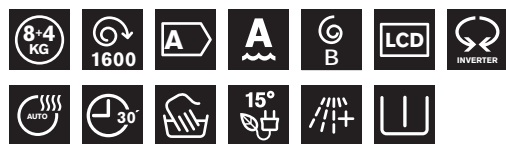
This vented tumble dryer has sensor drying technology to tailor the drying time to your load.

The Easy Iron programme does most of the work for you by helping to reduce wrinkles in your clothes.

Specifications

- Vented
- 7kg load capacity
- C energy efficiency
- Sensor Drying
- Reverse Tumbling
- Easy Iron Plus programme
- 3 vent positions

ZWD81660NW



With this washer dryer you can wash and dry your clothes in one go. Just press the AutoDry button and go from wet to dry.

Specifications

- 8kg wash capacity
- 4kg dry capacity
- 1600rpm spin speed
- Sensor drying
- Inverter motor
- Mini 30 programme
- Super Eco 15°
- Prewash
- Wool programme
- Quick wash option
- Delay start

ZWD7160NW



With this washer dryer you can wash and dry your clothes in one go. Just press the AutoDry button and go from wet to dry.

Specifications

- 7kg wash capacity
- 4kg dry capacity
- 1400rpm spin speed
- Sensor drying
- Inverter motor
- Mini 30 programme
- Super Eco 15°
- Prewash
- Wool programme
- Quick wash option
- Delay start

LAUNDRY: WASHING MACHINES



ZWF01483WH



ZWF91483WH



ZWF81463WH



ZWF71463W

OVERVIEW	ZWF01483WH	ZWF91483WH	ZWF81463WH	ZWF71463W
Wash capacity (kg)	10	9	8	7
Spin speed (rpm)	1400	1400	1400	1400
Display	Round LCD Display	Round LCD Display	Round LCD Display	Round LCD Display
Controls	Touch buttons	Touch buttons	Touch buttons	Touch buttons
Colour	White	White	White	White
FEATURES				
Large Capacity Drum	•	•		
Inverter Motor	•	•		
AutoAdjust Washing	•	•	•	•
Gentle Care Drum	•	•	•	•
XXL Door	•	•	•	•
PowerJet	•	•	•	•
AquaFall	•	•	•	•
FlexiDose	•	•	•	•
Auto Off	•	•	•	•
Child Lock	•	•	•	•
SPECIAL PROGRAMMES				
Duvet	•	•	•	
Mix 20°	•	•	•	•
Mini 30'	•	•	•	•
Easy Iron	•	•	•	•
Delicates	•	•	•	•
Wool / Handwash	•	•	•	•
PROGRAMME OPTIONS				
Quick Wash	•	•	•	•
Finish In	•	•	•	•
Delay start	See Finish In	See Finish In	See Finish In	See Finish In
Temperature selection	•	•	•	•
Spin speed selection	•	•	•	•
Extra rinse	•	•	•	•
Intensive	•	•	•	•
Prewash				
PERFORMANCE				
Energy efficiency class	A+++ -20%	A+++ -20%	A+++	A+++
Wash performance	A	A	A	A
Spin drying efficiency label	B	B	B	B
Annual energy consumption (kWh)	190	173	190	171
Annual water consumption (litres)	11790	10390	9999	9499
Washing noise (dB(A) re 1pW)	54	54	58	58
Spinning noise (dB(A) re 1pW)	78	78	78	79
Residual humidity (%)	52	52	52	52
Stand-by power (W)	1.00	1.00	0.75	0.75
Off mode power (W)	0.48	0.48	0.48	0.48
Left-on Mode power (W)	0.48	0.48	0.48	0.48
Left-on mode duration (mins)	5	5	5	5
PROGRAMME PERFORMANCE*				
Load (kg)	10	9	8	7
Energy (kWh)	1.02	0.95	0.96	0.92
Water (litres)	57	49	46	44
Duration (mins)	252	248	244	250
DIMENSIONS				
Height (mm)	850	850	850	850
Width (mm)	600	600	600	600
Depth (mm) (cabinet only)	600	600	520	520
Depth (mm) (total)	660	660	576	576
Net Weight (kgs)	74.27	74.27	65.42	65.42



ZWF81243W



ZWF71243W



ZWC1301

OVERVIEW	ZWF81243W	ZWF71243W	ZWC1301
Wash capacity (kg)	8	7	3
Spin speed (rpm)	1200	1200	1300
Display	Digit Display	Digit Display	
Controls	Jog dial & push buttons	Jog dial & push buttons	Jog dial & push buttons
Colour	White	White	White
FEATURES			
Large Capacity Drum			
Inverter Motor			
AutoAdjust Washing	•	•	
Gentle Care Drum	•	•	
XXL Door			
PowerJet	•	•	
AquaFall	•	•	
FlexiDose	•	•	
Auto Off	•	•	
Child Lock	•	•	•
SPECIAL PROGRAMMES			
Duvet			
Mix 20°	•	•	
Mini 30'	•	•	•
Easy Iron	•	•	
Delicates	•	•	•
Wool / Handwash	•	•	•
PROGRAMME OPTIONS			
Quick Wash	•	•	•
Finish In			
Delay start	•	•	•
Temperature selection	•	•	•
Spin speed selection	•	•	•
Extra rinse	•	•	•
Intensive			
Prewash			•
PERFORMANCE			
Energy efficiency class	A+++	A+++	A
Wash performance	A	A	B
Spin drying efficiency label	B	B	B
Annual energy consumption (kWh)	190	171	126
Annual water consumption (litres)	9999	9499	8299
Washing noise (dB(A) re 1pW)	58	58	53
Spinning noise (dB(A) re 1pW)	79	79	74
Residual humidity (%)	53	53	53
Stand-by power (W)	0.75	0.75	1.1
Off mode power (W)	0.48	0.48	0.1
Left-on Mode power (W)	0.48	0.48	1.1
Left-on mode duration (mins)	5	5	0
PROGRAMME PERFORMANCE*			
Load (kg)	8	7	3
Energy (kWh)	0.96	0.92	0.59
Water (litres)	50	45	39
Duration (mins)	244	250	131
DIMENSIONS			
Height (mm)	850	850	670
Width (mm)	600	600	495
Depth (mm) (cabinet only)	556	559	515
Depth (mm) (total)	576	578	515
Net Weight (kgs)	61.4	61.4	50.38

LAUNDRY: TUMBLE DRYERS



ZDH8333PZ



ZDC8203W



ZDP7203PZ



ZTE7101PZ

OVERVIEW	ZDH8333PZ	ZDC8203W	ZDP7203PZ	ZTE7101PZ
Dry capacity (kg)	8	8	7	7
Drying Technology	Heat pump condenser	Condenser	Condenser	Vented
Display	Round LCD Display	Round LCD Display		
Controls	Touch buttons	Touch buttons	Touch buttons	Jog dial & push buttons
FEATURES				
Heat Pump	•			
Woolmark Apparel Care	•	•		
Easy Clean Filter	•	•		
AutoAdjust Drying	•	•	•	•
Time Drying	•	•	•	•
Door Design	Round Plastic	Round Glass	Round Plastic	Square
Reversible Door	Yes (4 positions)	Yes (4 positions)	Yes	Yes
Reverse Tumbling	•	•	•	•
SPECIAL PROGRAMMES				
Cottons - cupboard dry	•	•	•	•
Cottons - extra dry	•	•	•	•
Cottons - iron dry	•	•	•	•
Synthetics - cupboard dry	•	•	•	•
Synthetics - extra dry	•	•	•	•
Synthetics - iron dry	•	•	•	•
Duvet	•	•	•	
Easy Iron	•	•		
Jeans				•
Wool	•	•	•	
Delicates				
PROGRAMME OPTIONS				
Anti-crease	•	•	•	•
Delay start	•	•	•	
Buzzer (on/off)			•	•
PERFORMANCE				
Energy efficiency class	A+	B	B	C
Condensation efficiency class	B	A	A	
Annual energy consumption (kWh)	308	560	504	512
Noise (dB(A) re 1pW)	66	64	64	64
Cycle Duration (mins)	135	102	94	96
Stand-by power (W)	1.9	1.9	1.9	1.9
Off mode power (W)	0.1	0.1	0.41	0.7
Left-on Mode power (W)	0.44	0.55	0.41	0.7
Left-on mode duration (mins)	10	10	10	10
DIMENSIONS				
Height (mm)	850	850	850	850
Width (mm)	600	600	600	600
Depth (mm) (cabinet only)	600	600	540	600
Depth (mm) (total)	630	630	570	630
Net Weight (kgs)	48.76	43.46	36.96	31.46

LAUNDRY: WASHER DRYERS



ZWD81660NW



ZWD71460NW

OVERVIEW	ZWD81660NW	ZWD71460NW
Wash capacity (kg)	8	7
Dry Capacity (kg)	4	4
Spin speed (rpm)	1600	1400
Display	3-digit LCD display	3-digit LCD display
Controls	Jog dial & push buttons	Jog dial & push buttons
FEATURES		
JetSystem	•	•
Inverter Motor	•	•
AutoAdjust Drying	•	•
Child Lock	•	•
SPECIAL PROGRAMMES		
Mini 30'	•	•
Mix 20°	•	•
Cotton Economy	•	•
Delicates	•	•
Wool / Handwash	•	•
Super Eco 15°	•	•
PROGRAMME OPTIONS		
Delay start	•	•
Prewash	•	•
Quick Wash	•	•
Drying Time	•	•
Drying Level		
Spin speed selection	•	•
Temperature selection	•	•
Extra rinse	•	•
PERFORMANCE		
Energy efficiency class	A	B
Wash performance	A	A
Energy consumption (wash/dry) (kWh)	5.44	5.67
Energy consumption (wash only) (kWh)	1.02	1.02
Water consumption (wash/dry) (litres)	119	95
Residual humidity (%)	44	52
Washing noise (dB(A) re 1pW)	53	49
Spinning noise (dB(A) re 1pW)	76	75
Drying noise (dB(A) re 1pW)	59	59
Stand-by power (W)	0.48	0.48
Off mode power (W)	0	0
PROGRAMME PERFORMANCE*		
Load (kg)	8	7
Energy (kWh)	1.02	1.02
Water (litres)	63	52
Duration (mins)	235	238
DIMENSIONS		
Height (mm)	850	850
Width (mm)	600	600
Depth (mm) (cabinet only)	522	522
Depth (mm) (total)	555	555
Net Weight (kgs)	68.42	67.42

*Programme Performance = Standard Cotton 60°C, full load.

BUILT-IN LAUNDRY MADE EASY



LARGE CAPACITY

Our built-in machines have an extra-large capacity drum of 7kg so you can wash more in one go.

WASHER DRYERS

Is there a washer-dryer that can clean a large load? Yes, our space-saving model is a standard built-in size, but can wash 7kg loads and also dry items weighing up to 4kg.



30 MIN PROGRAMME

What if you need an outfit in a hurry? Our 30-minute programme refreshes up to thirteen lightly worn items in just half an hour, at 30°C.



QUICK WASH

You can cut laundry time by up to 50% with our quick wash programme, whether you're cleaning cottons, synthetics or delicates.



EASY IRON

By keeping your wash load moving and using a cool down phase with cold water, this programme protects delicates and synthetic fabrics from developing permanent creases.

BUILT-IN LAUNDRY: WASHING MACHINE

ZWI71201WA



Best in class energy efficiency of A++ which is 20% more energy efficient than an A class machine, helping you save more money.



Specifications

- 7kg load capacity
- 1200rpm spin speed
- A++AB energy efficiency
- 3-digit LCD display
- Mini 30 programme
- Easy iron programme
- Wool/Handwash programme
- Quick Wash option
- Delay start
- Prewash option

For installation diagrams see page 209

BUILT-IN LAUNDRY: WASHER DRYER

ZWT71201WA



Built-in washer dryer for washing and drying with one appliance. The easy iron programme does most of the work for you by helping keep your clothes wrinkle-free.



Specifications

- 7kg wash capacity
- 4kg dry capacity
- 1200rpm spin speed
- 3-digit LCD display
- Easy iron programme
- Wool/Handwash programme
- Delay start
- Prewash option
- Extra Rinse option

For installation diagrams see page 209

BUILT-IN LAUNDRY: WASHING MACHINE AND WASHER DRYER



ZWI71201WA

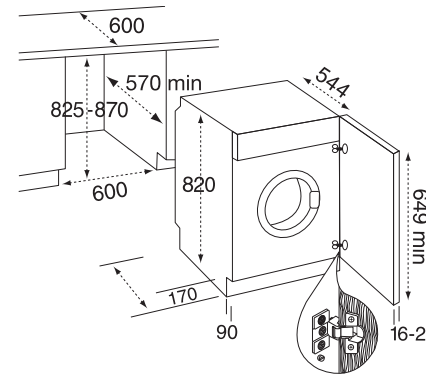
OVERVIEW	
Wash capacity (kg)	7
Spin speed (rpm)	1200
Display	3-digit LCD display
Controls	Jog dial & push buttons
Colour	White
FEATURES	
Child Lock	•
SPECIAL PROGRAMMES	
Mini 30'	•
Easy Iron	•
Wool / Handwash	•
PROGRAMME OPTIONS	
Quick Wash	•
Delay start	•
Temperature selection	•
Spin speed selection	•
Extra rinse	•
Prewash	•
PERFORMANCE	
Energy efficiency class	A++
Wash performance	A
Spin drying efficiency label	B
Annual energy consumption (kWh)	190
Annual water consumption (litres)	10469
Washing noise (dB(A) re 1pW)	56
Spinning noise (dB(A) re 1pW)	72
Residual humidity (%)	52
Stand-by power (W)	1.9
Off mode power (W)	0.1
Left-on Mode power (W)	0.98
Left-on mode duration (mins)	5
PROGRAMME PERFORMANCE*	
Load (kg)	7
Energy (kWh)	1.01
Water (litres)	52
Duration (mins)	180
DIMENSIONS	
Height (mm)	820
Width (mm)	596
Depth (mm) (cabinet only)	544
Net Weight (kgs)	60.39



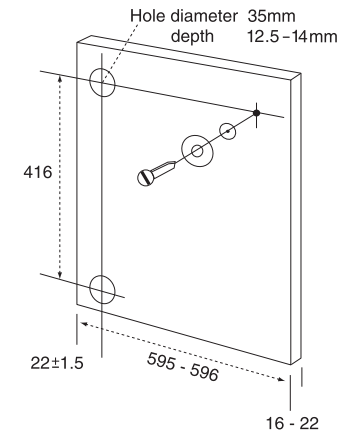
ZWT71201WA

OVERVIEW	
Wash capacity (kg)	7
Dry Capacity (kg)	4
Spin speed (rpm)	1200
Display	3-digit LCD display
Controls	Jog dial & touch buttons
FEATURES	
Child Lock	•
SPECIAL PROGRAMMES	
Easy Iron	•
Delicates	•
Wool / Handwash	•
PROGRAMME OPTIONS	
Delay start	•
Prewash	•
Drying Time	•
Spin speed selection	•
Temperature selection	•
Extra rinse	•
PERFORMANCE	
Energy efficiency class	C
Wash performance	A
Energy consumption (wash/dry) (kWh)	6.51
Energy consumption (wash only) (kWh)	1.05
Water consumption (wash/dry) (litres)	125
Residual humidity (%)	54
Washing noise (dB(A) re 1pW)	56
Spinning noise (dB(A) re 1pW)	72
Drying noise (dB(A) re 1pW)	62
Stand-by power (W)	1.9
Off mode power (W)	0.1
PROGRAMME PERFORMANCE*	
Load (kg)	7
Energy (kWh)	1.05
Water (litres)	55
Duration (mins)	180
DIMENSIONS	
Height (mm)	820
Width (mm)	596
Depth (mm) (cabinet only)	544
Net Weight (kgs)	68.39

ZWI71201WA / ZWT71201WA



ZWI71201WA / ZWT71201WA



NOTES

- 1) Models with an 'A' rated classification offer a higher performance than those with a 'G' rating
- 2) Based on standard test results for 60°C cotton cycle
- 3) Based on standard test results for 60°C cotton cycle and 'dry cotton' drying cycle
- 4) Average annual consumption for a 4 person household based on 200 standard 60°C cotton cycles, never using the dryer
- 5) Average annual consumption for a 4 person household based on 200 standard 60°C cotton cycles, always using the dryer

*Programme Performance = Standard Cotton 60°C, full load.

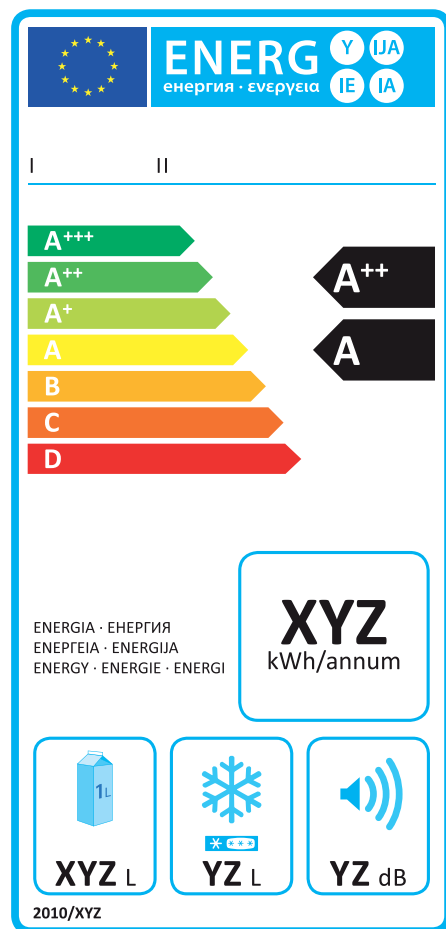
ENERGY: EFFICIENCY

EU ENERGY EFFICIENCY INFORMATION

This scheme, which covers refrigerators, freezers, washing machines, tumble dryers, dishwashers and electric ovens is designed to offer consumers a standardised method of choosing the most energy efficient appliances. For refrigerators and freezers, as well as stating the energy efficiency class (A+++ - most efficient, 'D' - least efficient) the label also gives the annual electricity consumption (i.e. running cost) freezing capacity, noise level and the usable storage capacity.

For dishwashers the label states energy efficiency, water consumption, drying level, place settings and noise level.

For electric ovens the label also states the energy consumption (in kWh) and the usable volume of the oven. If the oven is a double oven it will carry this information for both ovens.



Example of refrigeration energy label.



Example of dishwasher energy label.

AFTER SALES: SUPPORT

SERVICE FORCE NETWORK

Telephone (08445) 616 616
www.serviceforce.co.uk

RESPONSIVE CUSTOMER CARE/ AFTER SALES SERVICE

Once you've bought a Zanussi appliance you're safe in the knowledge that in the unlikely event of a fault occurring you can rely on our commitment to look after your appliance throughout its working life. Our network of fully trained service engineers are available nationwide and our complete care service is one of the most extensive and reliable available.

12 MONTHS PARTS AND LABOUR GUARANTEE

In the unlikely event of any repairs being required in the first year, we will carry them out free of charge.

In addition, any repairs carried out after the guarantee period are covered by their own 12 month guarantee, parts only.*

*Guarantee conditions provided on request.

RAPID SERVICE

If you call us out under the 12 month guarantee, we endeavour to fix the appliance within seven working days of our first call.

LOCAL SERVICE NATIONWIDE

Backed by the extensive range of spare parts held by our central warehouse, the Service Force Network will endeavour to repair your product in your home within 72 hours of receipt of the original call.*

*Excludes Saturdays, Sundays and Bank holidays, and may not be available in rural or outlying areas

SERVICE BY APPOINTMENT

To allow you to plan your day we can offer an appointment within a 3 hour time period, when the call is booked two days in advance.*

We can also provide service outside of office hours and Saturday mornings.**

*Please note. The service pledge does not apply in the Republic of Ireland. **A small extra charge is payable for this service.



MARKETING POLICY

The policy of Zanussi is one of continued improvement. We therefore reserve the right to alter or amend product ranges, specifications and dimensions without notice.

All specifications/dimensions including installation dimensions should be checked with the appropriate instruction manual before use or installation. If in doubt, contact your local Zanussi stockist who regularly receives up to date product information from our marketing department. E&OE.

ZANUSSI IS PART OF THE ELECTROLUX GROUP - THE THOUGHTFUL DESIGN INNOVATOR

Do you remember the last time you opened a gift that made you say 'Oh how did you know? That's exactly what I wanted!' That's the kind of feeling that the designers at Electrolux seek to evoke in everyone who chooses or uses one of our products. We devote time, knowledge, and a great deal of thought to anticipating and creating the kind of appliances that our customers really need and want.

This kind of thoughtful care means innovation with insight. Not design for design's sake, but design for the user's sake.

For us, thoughtful design means making appliances easier to use and tasks more enjoyable to perform, freeing our customers to experience that ultimate 21st century luxury, ease of mind. Our aim is to make this ease of mind more available to more people in more parts of their everyday lives, all over the world. So when we say we're thinking of you, you know that we mean just that.



Share more of our thinking at
www.electrolux.com



Join us in 2016

Your Zanussi appliances are the product of 100 years of clever ideas.

For all the details, simply take a look at our website: www.zanussi.co.uk

Electrolux Major Appliances

Addington Way, Luton

Bedfordshire LU4 9QQ

Telephone: 08445 612 612

Registered in England No. 2331516

Electrolux Group Ireland Ltd

Suite 7 & 8 Westland House

Nangor Road

Dublin 12

D12 TR98

Telephone: 00 353 818 543 000

Registered in Ireland No. 9118

Dealer stamp

ZANUSSI

The Zanussi logo consists of the word 'ZANUSSI' in a bold, black, sans-serif font. Below the text are three horizontal bars: a green bar on the left, a white bar in the middle, and a red bar on the right.