

Fair-Play

A TRANS·LUX® COMPANY

**INDOOR CLOCKS
INSTRUCTION MANUAL**

REVISION DATE: 09-14-06

PART#: 98-0023-01

Fair-Play

A TRANS·LUX® COMPANY

SERVICE & CUSTOMER INFORMATION

CUSTOMER MUST HAVE PART NUMBER WHEN ORDERING ITEMS THROUGH THE SERVICE DEPARTMENT.

IF FURTHER HELP IS NEEDED CONTACT A FAIR-PLAY SERVICE REP IN YOUR FAIR-PLAY DEALER ORGANIZATION OR PHONE THE FAIR-PLAY HELP DESK AT (800) 462-2716.

TO AID YOU IN YOUR DISCUSSIONS WITH SERVICE REPS, WE SUGGEST THAT YOU RECORD THE FOLLOWING:

MODEL NUMBER: _____

FAIR-PLAY SALES ORDER NUMBER: _____
(THIS NUMBER IS FOUND IN THE UPPER RIGHT HAND CORNER OF THE PACKING SLIP AND INVOICE.)

INSTALLATION DATE: _____

WARRANTY: A COPY OF THE **FIVE-YEAR LIMITED WARRANTY** IS ENCLOSED.

FAIR-PLAY SCOREBOARDS

DES MOINES, IOWA

INSTRUCTION DRAWING LIST

INDOOR CLOCKS
TABLE OF CONTENTS

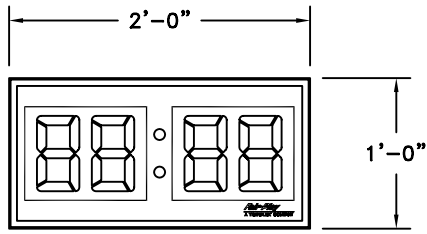
DESCRIPTION

**DRAWING
NUMBER**

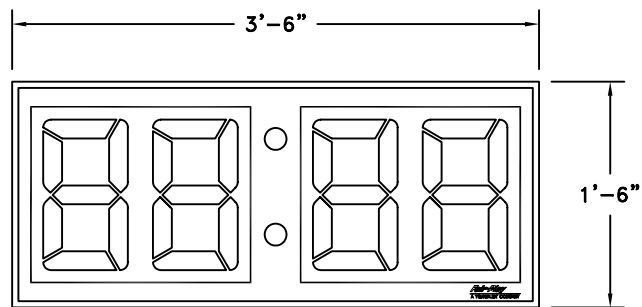
INDOOR CLOCKS FACE VIEWS..... 01-0002-07

CHART FOR INDOOR CLOCK DETAILS

WARRANTY



CL-1450-4
TIME OF DAY DISPLAY/LOCKER ROOM CLOCK



CL-1451-4
LOCKER ROOM CLOCK

INDOOR CLOCKS DATA CHART

	WIRELESS OPTIONAL	SIZE			EST. WT. (LBS.)	POWER TOTAL WATTS	CTRL	LAMPS	HANGER
		"A" LENGTH	"B" HEIGHT	DEPTH					DIM. CTR. TO CTR.
CL-1450-4	X	2'-0"	1'-0"	3"	10	12	1	1	1
CL-1451-4	X	3'-6"	1'-6"	3"	25	55	1	1	2

CONTROLS: 1=MP-70

MODEL #: -4 = LED/BAR DIGIT

LAMP TYPE: 1=LED

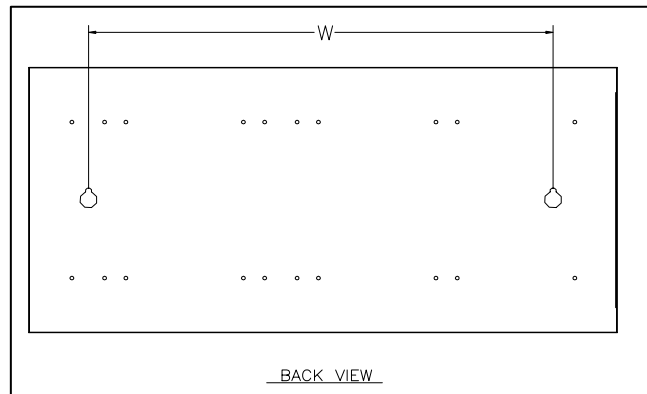
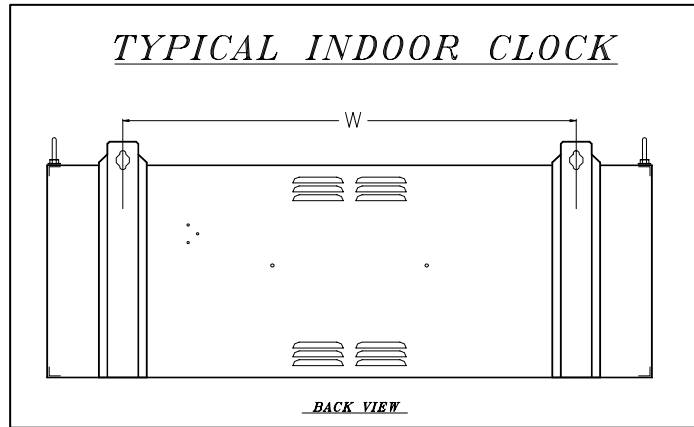
HANGER SPACING: 1= W=11" ON CENTER
2= ATTACHES TO WALL

* POWER IS 120 VAC, 60 Hz, 2 WIRE.

* CONTROL CABLE TYPICAL=C0550, 1-PAIR, 22 GAUGE ((1) PER CLOCK)

VENTILATION:

INSTALL PRODUCT SO THAT AIR FLOW IS NOT RESTRICTED. CUSTOMER'S STRUCTURE MUST ALLOW FOR THE FREE FLOW OF OUTSIDE AMBIENT AIR TO THE PRODUCT, WITHOUT RECIRCULATION OF AIR. WARRANTY WILL BE VOID IF COMPONENTS FAIL DUE TO AIR FLOW RESTRICTIONS.



Fair-Play

A TRANS-LUX® COMPANY

**TRANS-LUX MIDWEST CORPORATION
d.b.a. Fair-Play Scoreboards**

LIMITED SCOREBOARD WARRANTY

Fair-Play provides a limited five-year warranty when its permanently mounted scoreboards and scoreboard controllers are operated and maintained according to the owner's instructions furnished with the equipment. Such limited warranty is two years for portable scoreboards. This warranty covers all electronic components, including LEDs, for five or two years as applicable from the date of invoice that prove to be defective in material or workmanship. Our #161 and #655-type indoor lamps are warranted on a ten-year factory exchange basis from the date of invoice.

Warranted for one year are mechanical control panel switches, connectors, horns and visual goal indicators. Wireless control components are warranted for two years. Wireless control devices even if not defective may not function reliably in certain environments or otherwise due to outside causes beyond Seller's control, including but not limited to cell phones or portable computers. In the event it is determined a wireless device during the ninety (90) day period following shipment does not function in accordance with its specification without repeated errors or is otherwise consistently unreliable, and Seller determines repair or replacement thereof is not likely to improve performance, at Purchaser's request, upon return to Seller postage prepaid in like new condition within such time period, Seller's sole obligation shall be to refund the entire purchase price of such device. Thereafter Seller's sole obligation shall be to repair or replace, other non-wireless defective components for the balance of the warranty period without responsibility or liability for claims for unreliable performance not due to defects. Batteries, battery packs and battery recharging equipment are warranted for thirty (30) days, except for defects arising from misuse, abuse, negligence or other exclusions set forth below. In no event will Fair-Play have any obligation for any damage caused by defective batteries, battery packs and battery recharging equipment. Also warranted for 30 days are outdoor portable scoreboard carts.

Fair-Play's sole obligation during the applicable warranty period is to repair or replace any defective items. Defective assemblies or components are to be returned postage prepaid to Fair-Play's service center, after obtaining a return authorization number, for repair or replacement at no cost to the owner during the applicable warranty period. Replacement parts may be either new or like-new. Return shipping costs after repair will be paid by Seller except for overnight, express or special shipping costs which shall be paid by Purchaser.

Excluded from this warranty are fuses, major components provided by other manufacturers including, but not limited to, computers, rotating signs, power distribution panels, disconnect switches and components of rear-illuminated or lighted signs. The other manufacturer's warranty will apply to such components. Also excluded from this warranty are electronic signs or message centers and related controls. These items are covered by their own specific warranty.

THIS WARRANTY IS IN LIEU OF ALL OTHER WARRANTIES OF SELLER, EXPRESS OR IMPLIED, AND, EXCEPT TO THE EXTENT HEREIN PROVIDED, SELLER DOES NOT MAKE ANY WARRANTY WHATSOEVER INCLUDING, WITHOUT LIMITATION, ANY WARRANTY OF MERCHANTABILITY OR FITNESS FOR ANY PARTICULAR USE OR PURPOSE.

Fair-Play shall not be liable for any incidental, special or consequential damages nor any other loss that may arise in connection with its warranted equipment or any claims under this warranty. (Individual states may have limitations on the length of implied warranties.)

This warranty does not cover shipping damages or problems which result from improper installation of your equipment. (Promptly inspect shipment for visible or concealed damages and report immediately to the delivering carrier.)

Under no circumstances shall this warranty apply if the warranted products have been subject to abuse, misuse, neglect, sabotage, acts of terrorists, negligence, accident, or any casualties or abnormal conditions, including without limitation fire, civil disorders, war, flood, lightning or acts of God. Nor does this warranty cover labor or damage resulting from, or problems caused by, any repair, alteration, modification, or adjustment of the warranted scoreboard(s) or components not performed by Fair-Play.

This warranty extends only to the original purchaser of the warranted products, and is not transferable. For information on extended warranties contact your Fair-Play dealer. In the event authorized Fair-Play dealers make extensions to or provide additional service for Fair-Play products, Fair-Play assumes no liability therefore other than the specific warranty set forth above in this Limited Warranty.

Fair-Play Scoreboards - A Division of Trans-Lux Midwest Corporation
For Service contact: Trans-Lux Repair Center, 110 Richards Avenue, Norwalk, CT 06854
Telephone: 800-462-2716 Fax: (203) 831-8827
Internet Address - www.fair-play.com

Effective 0518-04 © 2004, Fair-Play Scoreboards, All rights reserved.