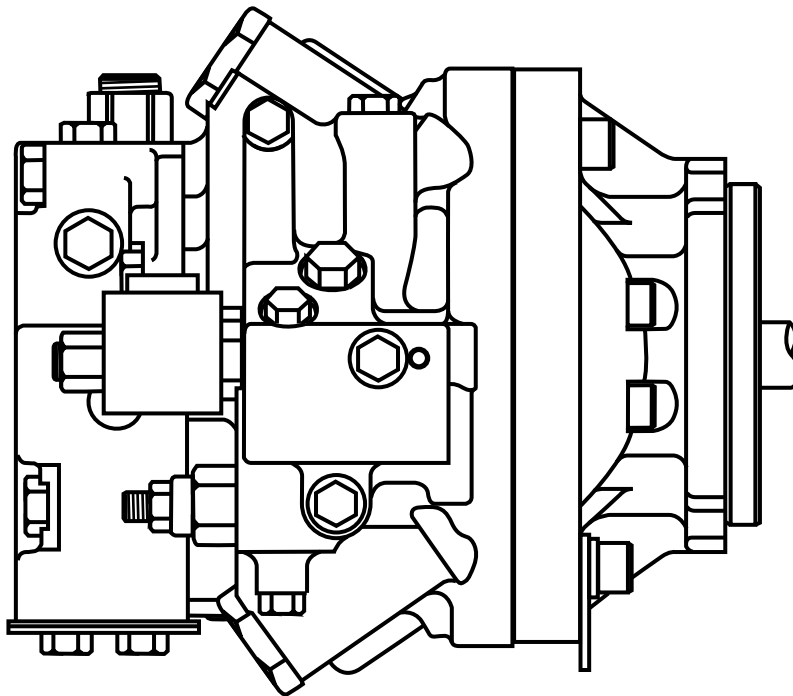

Series 90



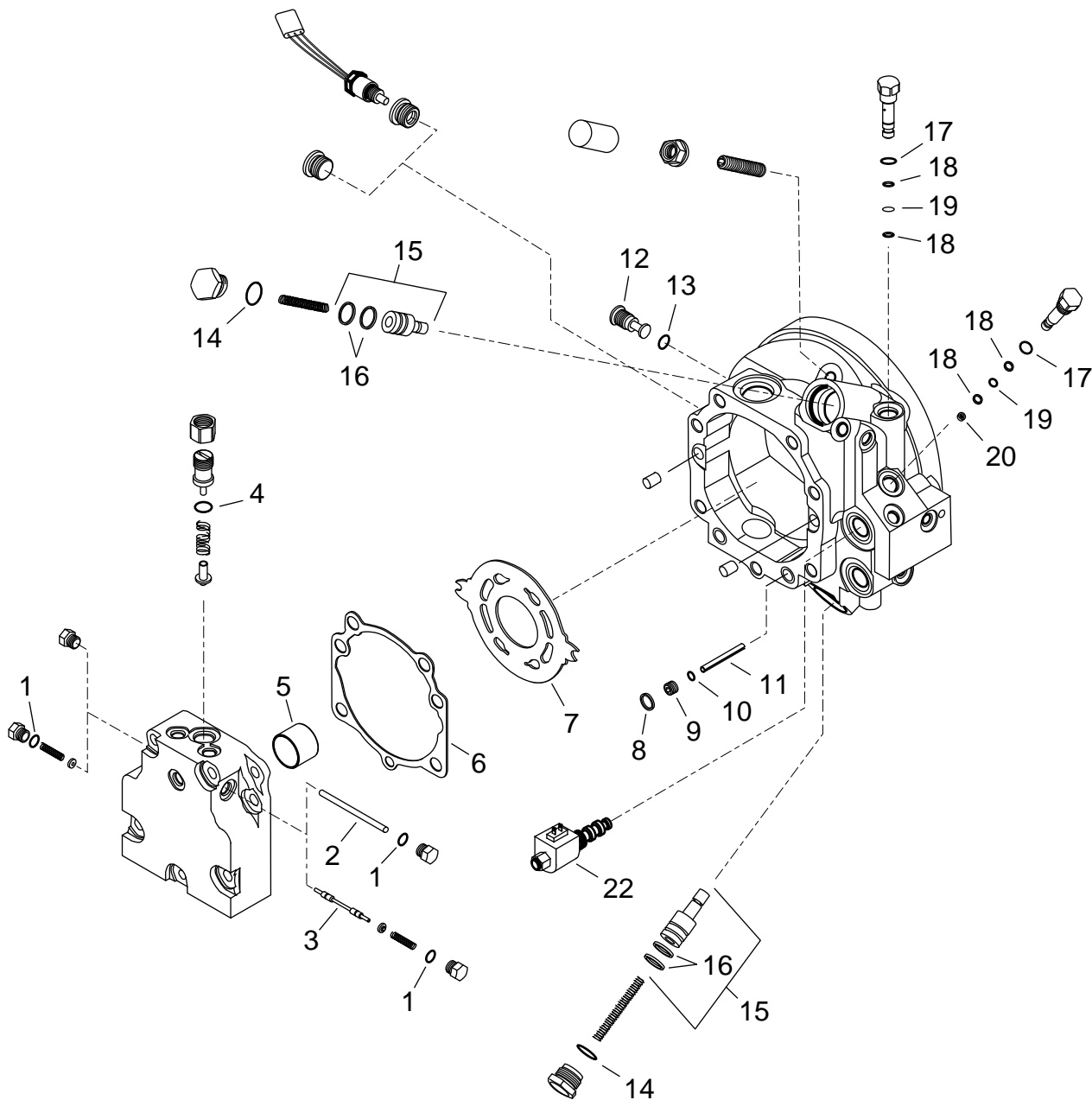
55 cc & 75 cc

Variable Displacement Motor

Quick Reference

Service Parts Manual

Variable Displacement Motors



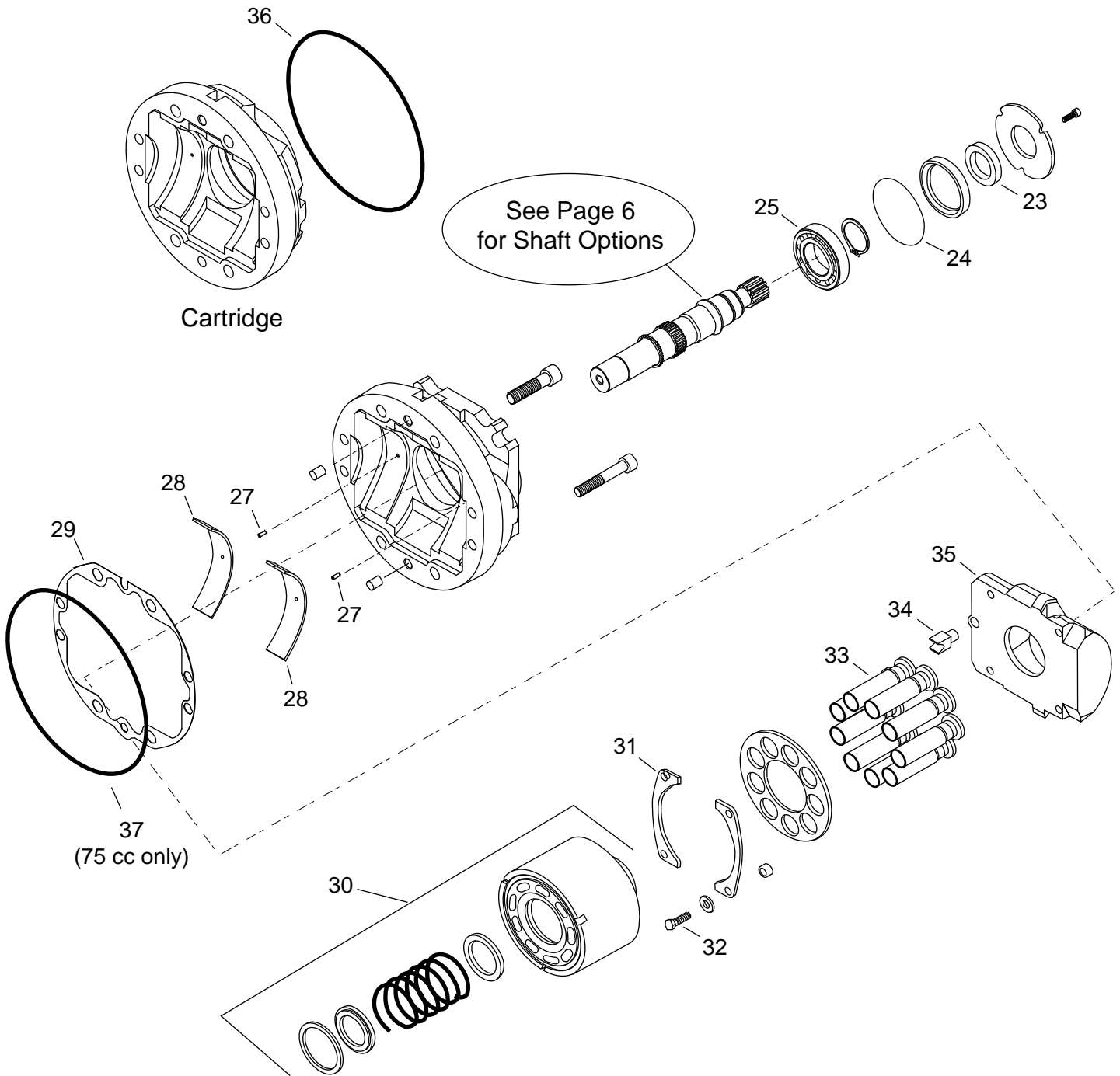


Variable Displacement Motors

Item #	Description	55 cc	75 cc
	Overhaul Gasket/Seal Kit	80040S30	81040S30
1	O-ring	9004201-3700	9004201-3700
2	Loop Flushing Defeated Spool	8800668	8800668
3	Shuttle Spool	8800550	8800550
4	O-ring	9004201-6200	9004201-6200
5	End Cap Journal Bearing	8700018	8700013
6	End Cap Gasket	8000231	8100430
7	Valve Plate	8000132	8100278
8	Crush Ring	8800865	8800865
9	Orificed Pipe Plug	8100392	8100392
10	Ball	9001214-2800	9001214-2800
11	Spring Pin	9004700-1928	9004700-1928
12	Hold Down Pin	8800758	8800758
13	O-ring	9004201-3700	9004201-3700
14	O-ring	38281	38281
15	Servo Piston Assembly	8100441	8100441
16	Piston Seal Ring	8700089	8700089
17	O-ring	9004201-3700	9004201-3700
18	Back Up Ring	9006150-0100	9006150-0100
19	O-ring	9004105-0100	9004105-0100
20	Filter Screen	8800532	8800532
22	Control - Solenoid valve w/12v Packard connector	8700103-0001	8700103-0001
	Control - Solenoid valve w/24v Packard connector	8700103-0002	8700103-0002
	Control - Solenoid valve w/12v MS connector	8700103-0003	8700103-0003
	Control - Solenoid valve w/24v MS connector	8700103-0004	8700103-0004
	Control - Hydraulic actuated 2 position	8700088	8700088

Warning: These part numbers are for current production units

Variable Displacement Motor





Variable Displacement Motor

Item #	Description	55 cc	75 cc
23	Shaft Lip Seal	9008000-0118	9008000-0115
24	O ring	9004104-1510	9004104-1530
25	Shaft Bearing	9001370-0011	9001375-0017
27	Grooved Pin	9004875-0126	9004975-0126
28	Cradle Bearing	8000224	8100433-0001
29	Front Cover Gasket	8000240	8100423
30	Cylinder Block Assembly	8000128	8100267
	Cylinder Block Assembly w/Speed Ring	8000336	8100525
31	Slipper Guide Bearing	8000137	8100294
32	Screw	9007276-0114	9007276-0099
33	Piston/Slipper Assembly	706119	708230
34	Hold Down Pin	8800758	8800758
35	Swashplate	8000225	8100431
36	O-ring (cartridge only)	9004100-1680	9004100-1720
37	O-ring (75 cc only)	-	9004104-1710

Warning: These part numbers are for current production units



Variable Displacement Motor Drive Shafts

Code	Description	55 cc	75 cc
C6	Shaft - SAE flange, 21 tooth, 16/32 pitch spline		8100585
K2	Shaft, straight key, 1.5 O.D.		8100584
	Key, 3/8 x 3/8 x 1 1/2		9003261-3724
S1	Shaft - SAE flange, 14 tooth, 12/24 pitch spline	8000226	8100396
S7	Shaft - Cartridge, 14 tooth, 12/24 pitch spline	8000238	8100445

Warning: These part numbers are for current production units

ALABAMA

None-see Berendsen- Marietta, GA
(770)419-3430

ALASKA

ANCHORAGE
ALASKA HYDRAULICS, INC.
(907)562-2217

ARIZONA

PHOENIX
AIR DRAULICS COMPANY
(602)254-8414

TUCSON

AIR DRAULICS COMPANY
(602)747-3070

ARKANSAS

LITTLE ROCK
BERENDSEN FLUID POWER, INC.
(501)490-0222

CALIFORNIA

BAKERSFIELD
BERENDSEN FLUID POWER, INC.
(805)393-1191

HAYWARD (San Francisco)
ZEMARC CORPORATION
(510)783-3964

LOS ANGELES
ZEMARC CORPORATION
(213)721-5598

SAN DIEGO
BERENDSEN FLUID POWER, INC.
(619)578-1910

SAN LEANDRO (San Francisco)
BERENDSEN FLUID POWER, INC.
(510)635-0500

SAN MARCOS (San Diego)
ZEMARC CORPORATION
(619)471-0901

W. SACRAMENTO
BERENDSEN FLUID POWER, INC.
(916)372-0550

WHITTIER (Los Angeles)
BERENDSEN FLUID POWER, INC.
(310)692-6912

YUBA CITY
BERENDSEN FLUID POWER, INC.
(916)674-3754

COLORADO

DENVER
BERENDSEN FLUID POWER, INC.
(303)373-4840

CONNECTICUT

NORTH HAVEN
HYDRO AIR OF CONNECTICUT
(203)248-8863

DELAWARE

None-see Fauver-Linthicum, MD
(410)636-9380

DISTRICT OF COLUMBIA

None-see Fauver-Linthicum, MD
(410)636-9380

FLORIDA

MIAMI
ACTION HYDRAULICS, INC.
(305)591-7273

ORLANDO
BERENDSEN FLUID POWER
(407)888-3577

WEST PALM BEACH
ACTION HYDRAULICS, INC.
(407)640-6066

GEORGIA

LAWRENCEVILLE
ADVANCED FLUID SYSTEMS
(770)963-6164

MARIETTA (Atlanta)
BERENDSEN FLUID POWER, INC.
(770)419-3430

HAWAII

HONOLULU
HAWAIIAN FLUID POWER
(808)833-4516

KAHULUI
HAWAIIAN FLUID POWER
(808)877-6881

IDAHO

BOISE
BERENDSEN FLUID POWER, INC.
(208)377-4822

LEWISTON
BERENDSEN FLUID POWER, INC.
(208)746-9677

POCATELLO
BERENDSEN FLUID POWER, INC.
(208) 232-6110

ILLINOIS

BLOOMINGTON
BERENDSEN FLUID POWER, INC.
(630)663-7070

ELMHURST (Chicago)
FAUVER COMPANY
(708)682-5010

LAKE FOREST (Chicago)
BERENDSEN FLUID POWER, INC.
(847)680-0050

ST. LOUIS, MO
BERENDSEN FLUID POWER, INC.
(314)469-9100

INDIANA

INDIANAPOLIS
FAUVER COMPANY
(317)387-4300

INDIANAPOLIS
FAUVER COMPANY
(317)875-8282

IOWA

CEDAR RAPIDS
FAUVER COMPANY
(319)366-6437

KANSAS

KANSAS CITY, MO 64120
BERENDSEN FLUID POWER, INC.
(816)483-3388

WICHITA
BERENDSEN FLUID POWER, INC.
(316)945-4455

KENTUCKY

LOUISVILLE
FAUVER COMPANY
(502)267-7461

LOUISIANA

HARAHAN (New Orleans)
BERENDSEN FLUID POWER, INC.
(504)734-0270

MAINE

PALERMO
HYDREPAIR, INC.
(207)993-2360

MARYLAND

LINTHICUM (Baltimore)
FAUVER COMPANY
(410)636-9380

MASSACHUSETTS

WESTBOROUGH
HYDRO AIR OF CONNECTICUT
(508)366-0895

MICHIGAN

FLINT
FAUVER COMPANY
(313)235-2501

GRAND RAPIDS
BERENDSEN FLUID POWER, INC.
(616)452-4560

KENTWOOD
FAUVER COMPANY
(616)957-5177

MADISON HEIGHTS
FAUVER COMPANY
(810)585-5252

SAGINAW
FAUVER COMPANY
(517)753-0474

TROY
FAUVER COMPANY
(810)649-6054

MINNESOTA

DULUTH
FAUVER COMPANY
(218)729-5241

EDEN PRAIRIE (Minneapolis)
FAUVER COMPANY
(612)943-1644

MISSISSIPPI

None-see Berendsen-Harahan, LA
(504)734-0270

MISSOURI

KANSAS CITY
FAUVER COMPANY
(816)452-4444

MARYLAND HEIGHTS (St. Louis)
FAUVER COMPANY
(314)993-6688

MONTANA

MISSOULA
BERENDSEN FLUID POWER, INC.
(406)549-4181

NEBRASKA

OMAHA
FAUVER COMPANY
(402)331-5240

NEVADA

SPARKS (Reno)
RENO HYDRAULIC & REBUILD, INC.
(702)356-2703

NEW HAMPSHIRE

None-Hydro-Air-North Haven, CT;
(203)248-8863

Hydrepair-Palermo, ME
(203)248-8863

NEW JERSEY

FAIRFIELD
HYDRO AIR, INC.
(201)575-0935

MAHWAH
POWER TECH HYDRAULICS
(201)934-9354

NEW MEXICO

ALBUQUERQUE
AIR DRAULICS COMPANY
(505)821-2899

NEW YORK

CLARENCE
FITZSIMMONS HYDRAULICS CO.
(716)759-8389

NORTH CAROLINA

CHARLOTTE
BERENDSEN FLUID POWER, INC.
(704)588-7723

NORTH DAKOTA

FARGO
FAUVER COMPANY
(701)280-1185

OHIO

CINCINNATI
FAUVER COMPANY
(513)247-9900

CLEVELAND
KRAFT FLUID SYSTEMS
(216)238-5545

HILLIARD (Columbus)
FAUVER COMPANY
(614)876-1261

NORTHWOOD (Toledo)
FAUVER COMPANY
(419)666-3404

STOW (Akron)
FAUVER COMPANY
(216)923-8855

OKLAHOMA

OKLAHOMA CITY
BERENDSEN FLUID POWER, INC.
(405)236-8065

TULSA
BERENDSEN FLUID POWER, INC.
(918)622-3781

OREGON

EUGENE
BERENDSEN FLUID POWER, INC.
(503)342-1804

PORTLAND
BERENDSEN FLUID POWER, INC.
(503)288-6061

PENNSYLVANIA

BELLE VERNON
KRAFT FLUID SYSTEMS
(412)872-6600

HORSHAM (Philadelphia)
HYDRO AIR OF PENNSYLVANIA
(215)675-3222

JOHNSTOWN
WEST PENN HYDRAULICS, INC.
(814)269-4994

MOUNT JOY
DONEGAL HYDRAULICS
(717)653-2298

PUERTO RICO

TOA BAJA
H & D CARIBBEAN, INC.
(809)251-1865

RHODE ISLAND

None-Hydro-Air-North Haven, CT
(203)248-8863

SOUTH CAROLINA

None-Berendsen-Charlotte, NC
(704)588-7723

SOUTH DAKOTA

None-see Fauver-Fargo, ND
(701)280-1185

TENNESSEE

MEMPHIS
BERENDSEN FLUID POWER, INC.
(901)332-0761

TEXAS

ARLINGTON (Dallas)
HYDRAQUIP CORPORATION
(214)660-7230

FARMERS BRANCH (Dallas)
BERENDSEN FLUID POWER, INC.
(214)401-3010

HOUSTON
HYDRAQUIP CORPORATION
(713)680-1951

HOUSTON
BERENDSEN FLUID POWER, INC.
(713)987-2117

HOUSTON
BERENDSEN FLUID POWER, INC.
(713)442-2800

LONGVIEW
HYDRAQUIP CORPORATION
(903)297-5812

SAN ANTONIO
HYDRAQUIP CORPORATION
(210)341-8896

UTAH

SALT LAKE CITY
BERENDSEN FLUID POWER, INC.
(801)977-0123

VERMONT

None-see Hydro-Air-North Haven, CT
(203)248-8863

Hydrepair-Palermo, ME (ASC Only)
(207)993-2360

VIRGINIA

RICHMOND
BERENDSEN FLUID POWER, INC.
(804)271-1909

WASHINGTON

BELLEVUE (Seattle)
HYDRAULIC COMPONENTS
(206)747-0927

SEATTLE
BERENDSEN FLUID POWER, INC.
(206)575-3736

SPOKANE
BERENDSEN FLUID POWER, INC.
(509)535-4281

WEST VIRGINIA

CHARLESTON
FAUVER COMPANY
(304)766-6206

WISCONSIN

MILWAUKEE
FAUVER COMPANY
(414)536-4001

WYOMING

None-see Berendsen-Denver, CO
(303)373-4840

CANADA**ALBERTA**

CALGARY
BERENDSEN FLUID POWER, LTD.
(403)243-4533

EDMONTON
BERENDSEN FLUID POWER, LTD.
(403)465-7536

BRITISH COLUMBIA

DELTA (Vancouver)
INDUSTRIAL EQUIPMENT CO. LTD.
(604)946-1675

DELTA (Vancouver)
BERENDSEN FLUID POWER, LTD.
(604)520-6386

MANITOBA

WINNIPEG
MIDWEST HYDRAULICS, INC.
(204)783-2277

WINNIPEG

BERENDSEN FLUID POWER, LTD.
(204)786-7436

NEW BRUNSWICK

MONCTON
ROUSSEAU CONTROLS, INC.
(506)859-8992

NOVA SCOTIA

DARTMOUTH
BERENDSEN FLUID POWER, LTD.

ONTARIO

LIVELY (Sudbury)
BERENDSEN FLUID POWER, LTD.
(705)692-1873

LONDON

BERENDSEN FLUID POWER, LTD.
(519)681-3350

MARKHAM (Toronto)

BERENDSEN FLUID POWER, LTD.
(905)475-8770

MISSISSAUGA (Toronto)

J. N. FAUVER CANADA
(905)821-4230

NORTH BAY

FELDCAMP EQUIPMENT, LTD.
(705)472-5885

OAKVILLE (Toronto)

ITER-WEST TRADE SUPPLY INC.
905-825-2218

OLDCASTLE

J. N. FAUVER CANADA
(519)737-6925

STONEY CREEK

BERENDSEN FLUID POWER, LTD.
(905)560-6216

TIMMINS

BERENDSEN FLUID POWER, LTD.
705-268-4433

WINDSOR

BERENDSEN FLUID POWER, LTD.
(519)737-6993

QUEBEC

POINTE CLAIRE
ROUSSEAU CONTROLS, INC.
(514)695-1240

QUEBEC CITY

ENGRENAGE PROVINCIAL GEAR
(418)683-2745

QUEBEC CITY

ROUSSEAU CONTROLS, INC.
(418)871-7555

ST. LAURENT

BERENDSEN FLUID POWER, LTD.
(514)337-9412

ST. MALO

S. HUOT INC.
(418)681-0291

SASKATCHEWAN

REGINA
BERENDSEN FLUID POWER, LTD.
(306)721-2277

SASKATOON

BERENDSEN FLUID POWER, LTD.
(306)244-2011