

MS Series Proximity Readers

For use with MS Series Proximity™ Credentials

DATA SHEET

- Sleek Attractive Packages
- Ultra Thin Profiles
- Better Read Range Performance Than Competing Products of Similar Size
- Mullion Reader Available
- Fits smaller door frames



Keri's **MS Series Proximity Readers** are designed to blend aesthetics, read range performance, and small package size with an extremely thin profile into a product that is priced significantly less than competing proximity readers. The readers are for use exclusively with Keri's access control system based on the PXL-500 Tiger and the NXT-2D and NXT-4D Controllers.

The smallest readers in the series are the **MS-3000 MicroStar™ Reader** and the **MS-5000 MiniStar™ Reader**. The MicroStar Reader measures just 3.4" long x 1.4" wide x 0.38" thick (86mm x 36mm x 10mm) thick, and is designed to mount on a metal window or door frame (mullion) or directly on a wall. Read range is up to 4" (10cm). The MiniStar Reader measures 4.3" long x 3.0" wide x 0.38" thick (109mm x 76mm x 10mm), and can be mounted on a single gang electrical box or flat on a wall. Read range is up to 6" (15cm) when mounted at least one inch off metal. If the reader is mounted using a metal electrical junction box with the thickness of the wall material separating the reader from the box, read range will be reduced.

The **MS-7000 SuperStar™ Reader** measures just 8.5" long x 6" wide x 0.83" thick (21.6cm x 15.2cm x 2.1cm), with a read range of up to 14" (35cm). This reader is designed for applications where greater read range adds to the convenience of the system, such as parking access or physically challenged access.

The readers are attractively designed with a thin profile and modern appearance. The readers are compatible with Keri's KC-10X and MT-10X proximity card styles as well as the small, extremely robust PKT-10X Key Tag. Additionally, they can read any Indala ASP Card or Tag if they are to be used in conjunction with a PXL-500 Controller.



2305 Bering Drive • San Jose, California 95131
408-435-8400 • Toll Free: 800-260-5265 • Fax: 408-577-1792

email: sales@kerisys.com • web: www.kerisys.com

MS Series Proximity Readers

For use with MS Series Proximity™ Credentials

DATA SHEET, Page 2 of 2



Specifications:

Size:

3.4" H x 1.4" W x 0.38" T (86mm x 36mm x 10mm)	(MS-3000)
4.3" H x 3.0" W x 0.38" T (109mm x 76mm x 10mm)	(MS-5000)
8.5" H x 6" W x 0.83" T (21.6cm x 15.2cm x 2.1cm)	(MS-7000)

Weight:

2.1 oz. (59g)	(MS-3000)
3.2 oz. (90g)	(MS-5000)
1.3 lbs. (582g)	(MS-7000)

Read Range*:

Up to 4" (10cm)	(MS-3000)
Up to 6" (15cm)	(MS-5000)
Up to 14" (35cm)	(MS-7000)

Input Voltage:

+12 VDC nom. (5-14 VDC)	(MS-3000)
+12 VDC nom. (5-14 VDC)	(MS-3000)
+11 VDC to +14 VDC	(MS-7000)

Current Draw:

50 mA typical	(MS-3000)
100 mA typical	(MS-5000)
200 mA typical	(MS-7000)

Operating Temperature:

-40° C to +65° C

LED Indicator:

Tri-Color Standard (Red, Green, Amber)

Audio Tone:

Standard

Frequency:

125 KHz excitation, 62.5 KHz data return

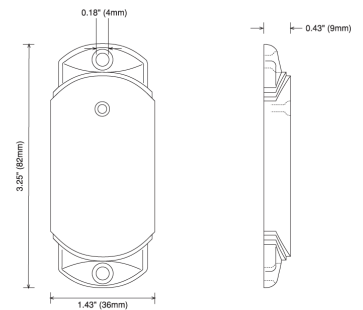
Warranty:

Lifetime warranty against defects in materials and workmanship.

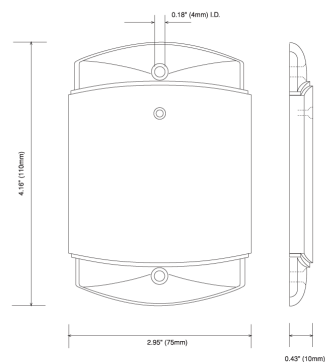
* Read range is stated in a clean RF and electrical environment with KC-10X card presented parallel to reader surface.

Note: Specifications subject to change without notice. Trademarks are the property of their respective owners.

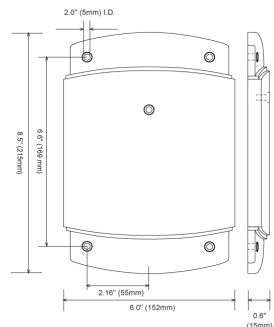
MS-3000 MicroStar Reader



MS-5000 MiniStar Reader



MS-7000 SuperStar Reader



ORDERING INFORMATION:

Model Number Description

MS-3000X	Mullion Mount Proximity Reader for PXL-500P Controllers
MS-5000BX	Wall Mount Proximity Reader for PXL-500P Controllers
MS-7000BX	Medium Range Proximity Reader for PXL-500P Controllers

RELATED PRODUCT:

Model Number Description

MS-4000X	Wall Mount Vandal Resistant Reader for PXL-500P Controllers
----------	---

Presented By:

