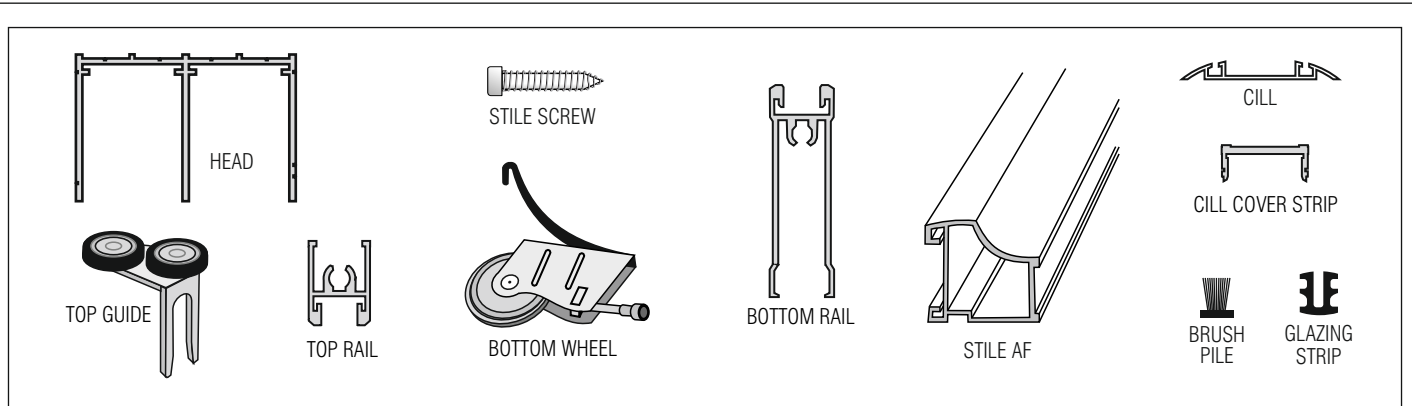


Mirror Door Systems Ltd

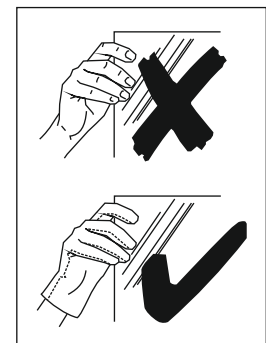
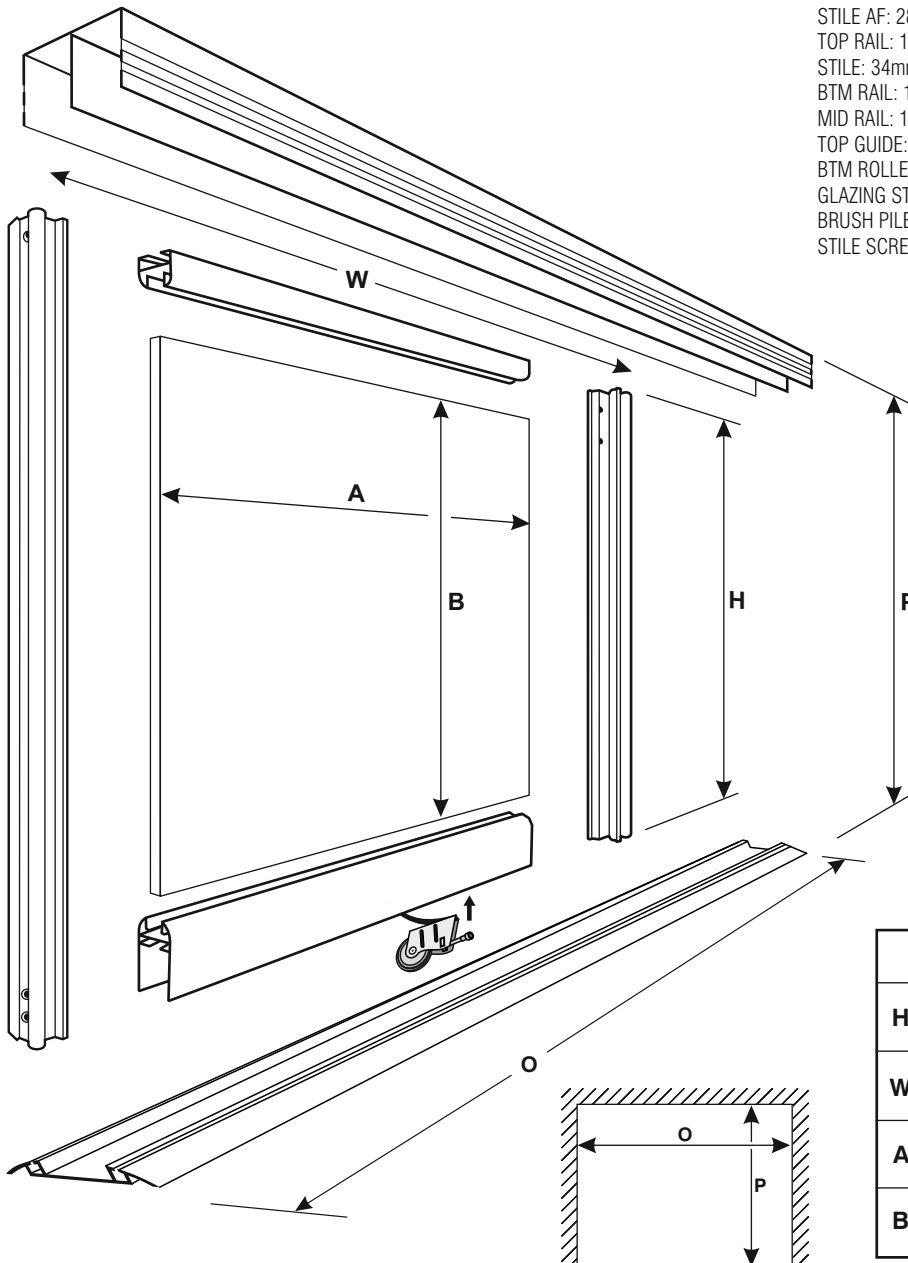
Unit 6, Capitol Industrial Centre, Fulmar Way, Wickford, Essex SS11 8YW, UK
 Telephone: +44 (0) 1268 573357 · Facsimile: +44 (0) 1268 573358
 www.mirrordoor.co.uk · Email: salesmids@mirrordoor.co.uk



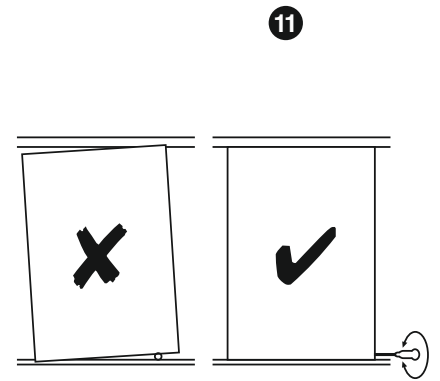
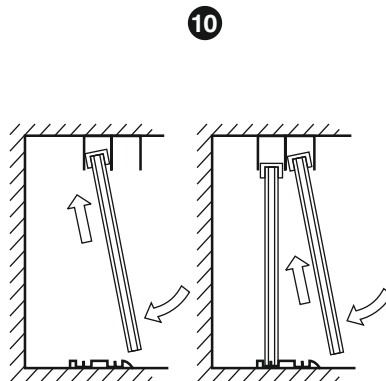
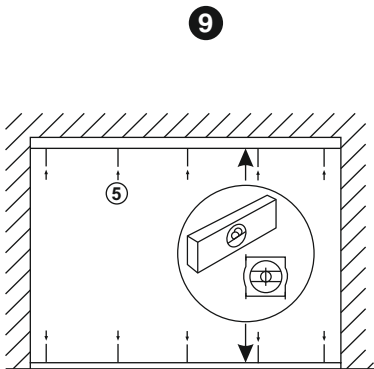
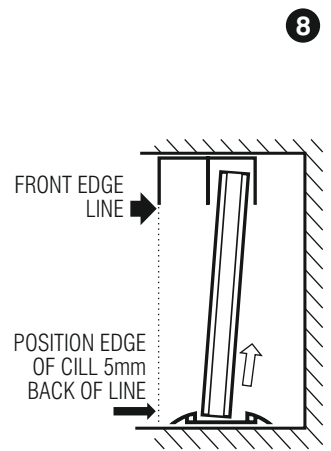
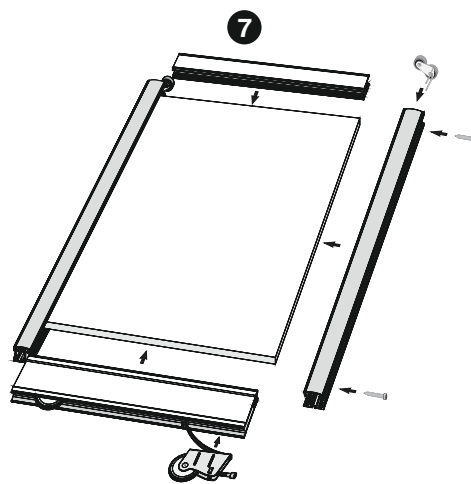
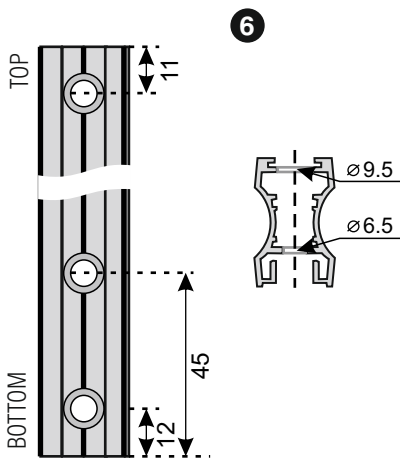
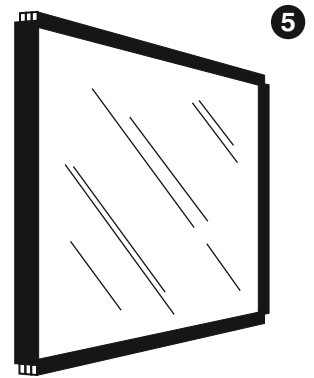
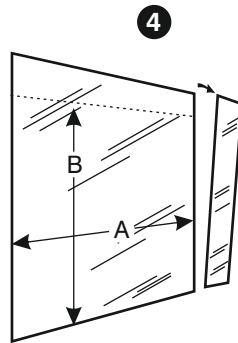
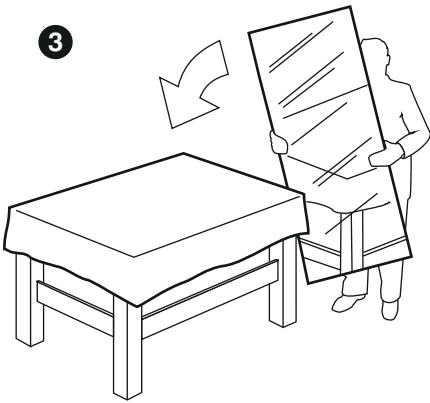
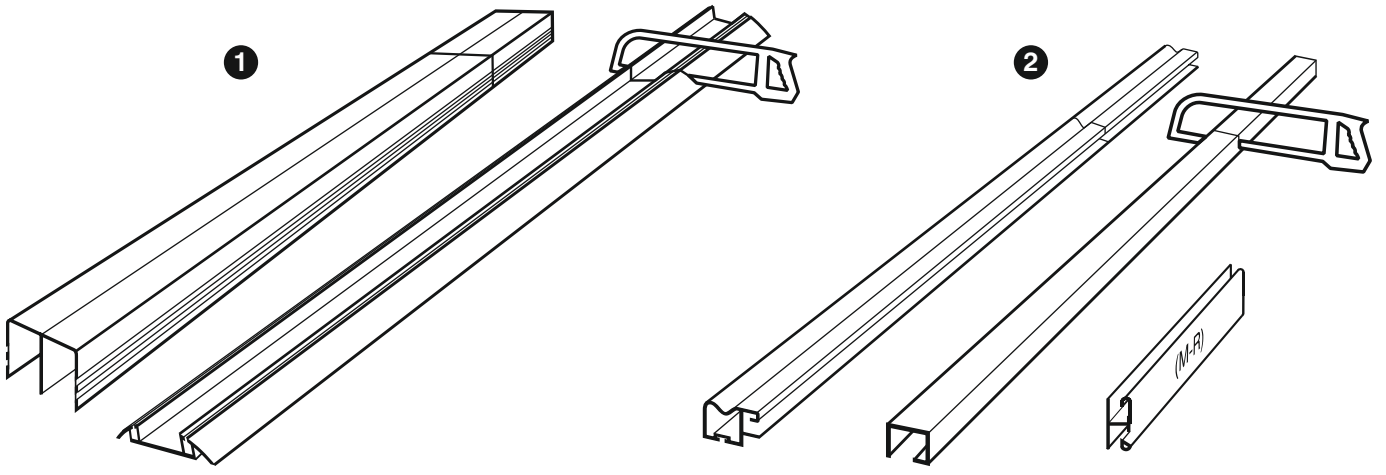
CERRONI AF ALUMINIUM WARDROBE SYSTEM FIXING INSTRUCTIONS



HEAD: 56mm width x 37mm high
 CILL: 48mm wide x 8mm high
 CILL COVER: 16mm wide x 6mm high
 STILE AF: 28mm wide x 22mm high x 10mm throat
 TOP RAIL: 18mm wide x 24mm high
 STILE: 34mm width x 28mm high/10mm opening (2 per door)
 BTM RAIL: 18mm wide x 58mm high
 MID RAIL: 18mm wide x 16mm high
 TOP GUIDE: Twin bearing rollers
 BTM ROLLER: Steel cased nylon wheel 40kg
 GLAZING STRIP: 4mm / 6mm
 BRUSH PILE: 11mm x 3mm non-adhesive
 STILE SCREW: 6.3mm x 32mm



H	P - 38mm	P - 38mm	P - 38mm
W	$\frac{(O + 23mm)}{2}$	$\frac{(O + 46mm)}{3}$	$\frac{(O + 46mm)}{4}$
A	W - 43mm	W - 43mm	W - 43mm
B	H - 72mm	H - 72mm	H - 72mm



NB • When installing top guides and bottom rollers, apply nominal pressure in order not to touch the glass mirror.