

# Seminar tables



## Seminar tables Light, strong and elegant



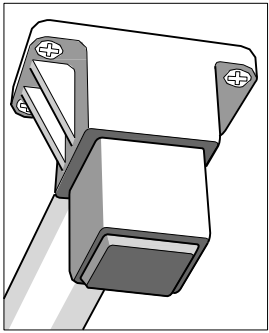
- Lightweight, practical and attractive meeting room tables
- Finished in laminate for added durability
- Functional design, quick to set up and easy to store
- 100% aluminium folding legs can be recycled to minimize waste
- Tabletop is manufactured from light, yet robust recycled cardboard honeycomb core.
- Modesty panels are available for all sizes
- Wide variety of shapes available
- Ideal for Conferences and Seminars, Hotels and Business Centres



### Sizes and Weights

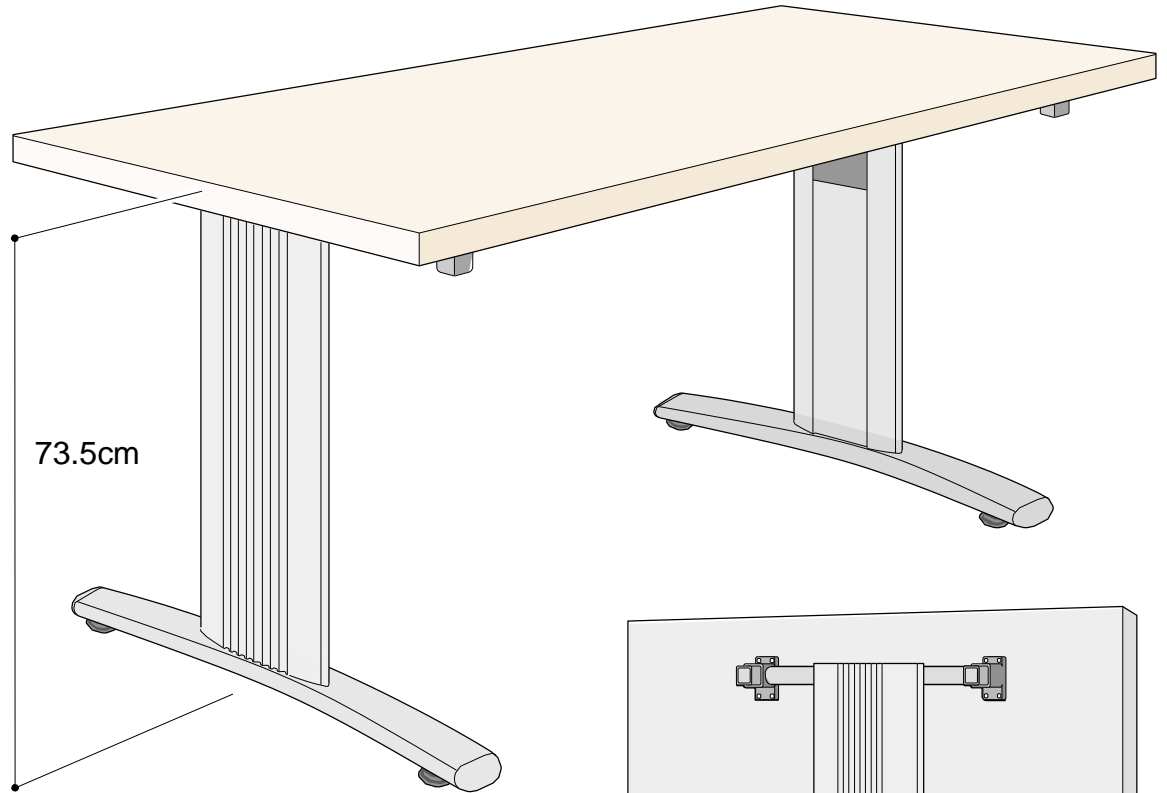
| Half round sizes | Quarter round sizes | Triangular sizes  | Rectangular table sizes |                     |
|------------------|---------------------|-------------------|-------------------------|---------------------|
| 120cm Ø (17.2kg) | 45cm radius (2.0kg) | 45cm wide (1.0kg) | 45 x 150cm (17.0kg)     | 75 x 150cm (17.8kg) |
| 180cm Ø (18.7kg) | 60cm radius (2.5kg) | 60cm wide (2.3kg) | 45 x 160cm (17.2kg)     | 75 x 160cm (18.0kg) |
|                  | 75cm radius (3.0kg) | 75cm wide (2.8kg) | 45 x 180cm (17.8kg)     | 75 x 180cm (18.6kg) |
|                  | 80cm radius (3.6kg) | 80cm wide (3.4kg) | 45 x 200cm (18.4kg)     | 75 x 200cm (19.2kg) |
|                  |                     |                   | 45 x 240cm (19.1kg)     | 75 x 240cm (19.9kg) |
|                  |                     |                   | 60 x 150cm (17.4kg)     | 80 x 150cm (18.0kg) |
|                  |                     |                   | 60 x 160cm (17.6kg)     | 80 x 160cm (18.2kg) |
|                  |                     |                   | 60 x 180cm (18.2kg)     | 80 x 180cm (18.8kg) |
|                  |                     |                   | 60 x 200cm (18.8kg)     | 80 x 200cm (19.4kg) |
|                  |                     |                   | 60 x 240cm (19.5kg)     | 80 x 240cm (20.1kg) |





**STACKING BUFFERS**

Stacking buffers are incorporated to ensure minimum damage when the tables are stacked and stored

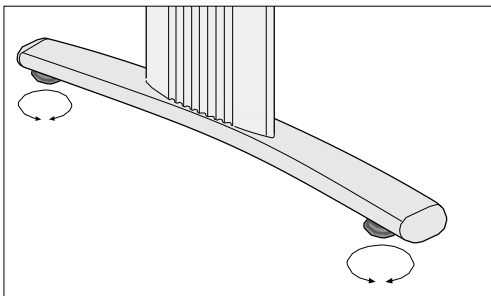


**THE NEW LIGHTWEIGHT SEMINAR TABLE**

The new 100% aluminium Seminar table with folding legs, offers a functional design to the everyday requirements of a busy working hotel and conference centre. Following in the footsteps of the Alu-lite table the Seminar collection was conceived with the same principals. Lightweight, practical and attractive.

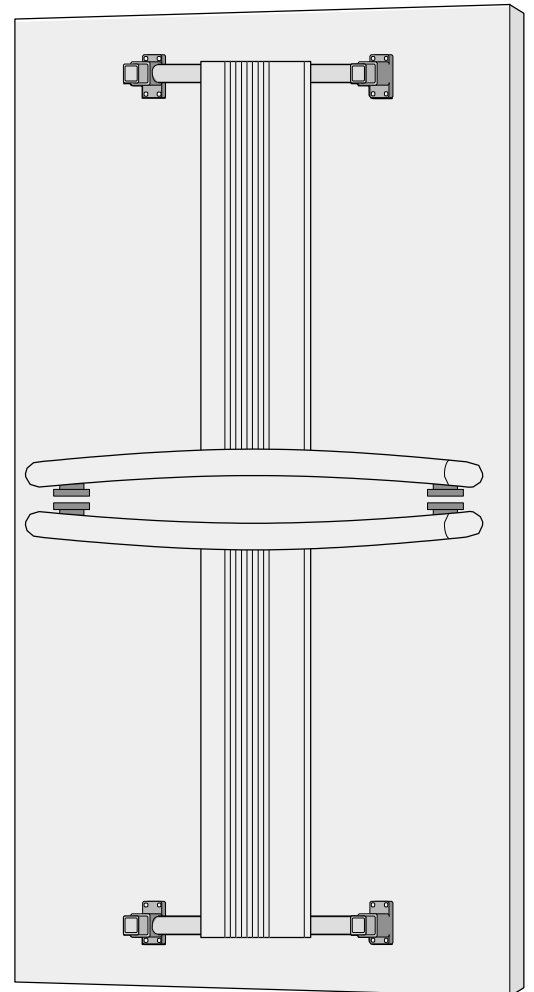
**Featuring**

- Quick set up
- Self-locking legs in both the open and closed position
- Easy to store
- Built in stacking buffers
- Adjustable glides as standard for maximum stability
- Manufactured in various sizes: please see separate price list
- Ideal for Conferences and Seminars, Hotels, Schools & Business Centres



**ADJUSTABLE GLIDES**

Individual adjustment on all feet

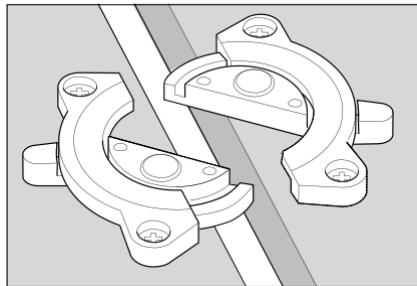
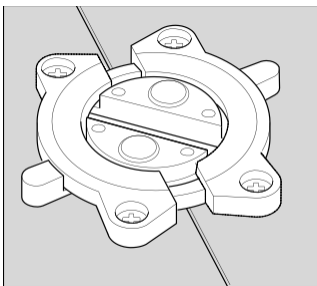
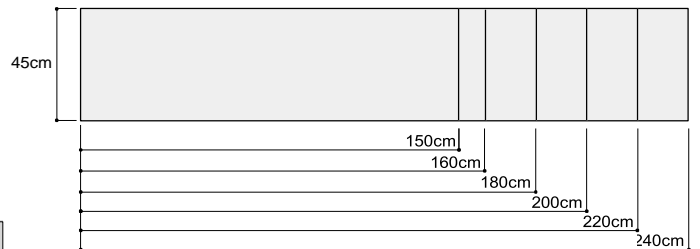
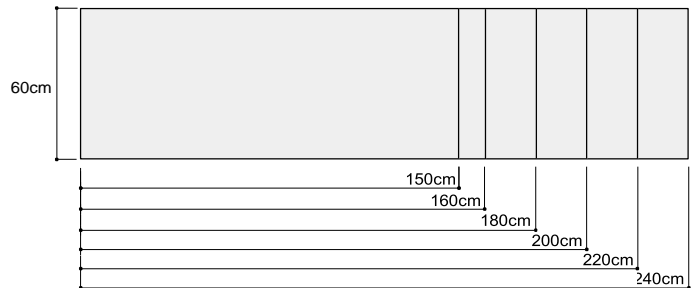
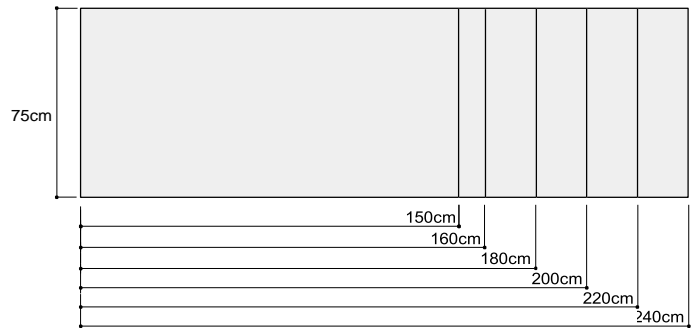
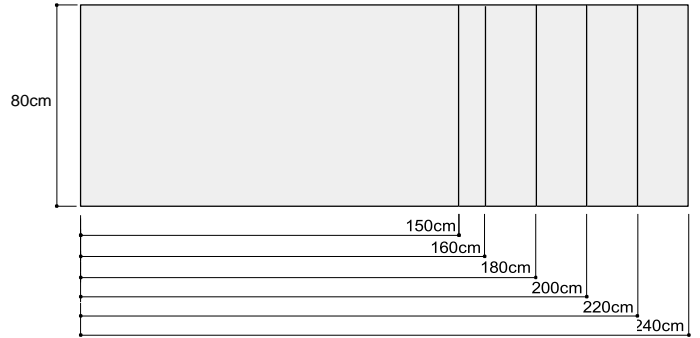
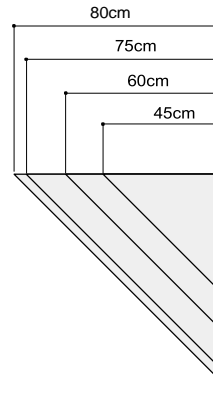
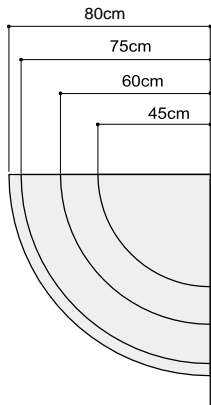
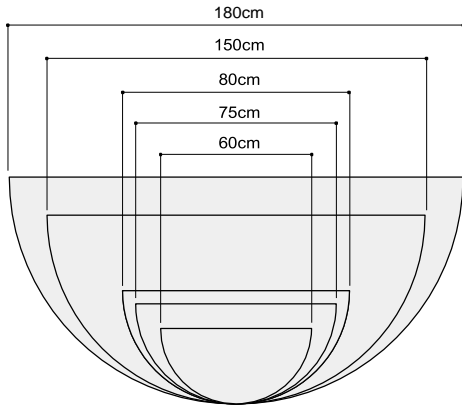


**Folding legs**

Legs fold flat to underside of table.

**Sizes, shapes and weights**

Seminar tables are available in rectangular, halve & quarter rounds, and triangular.

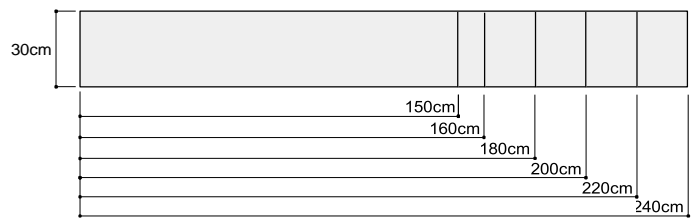
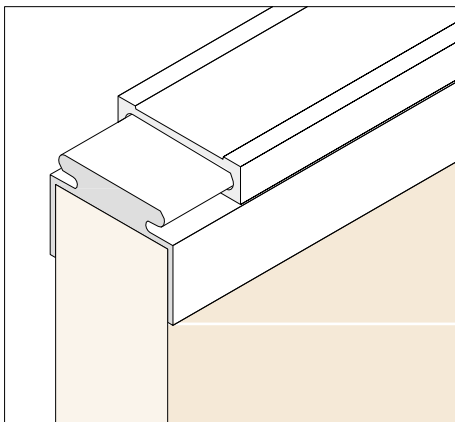
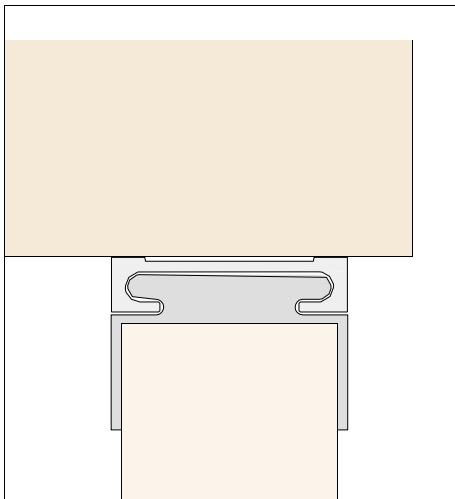
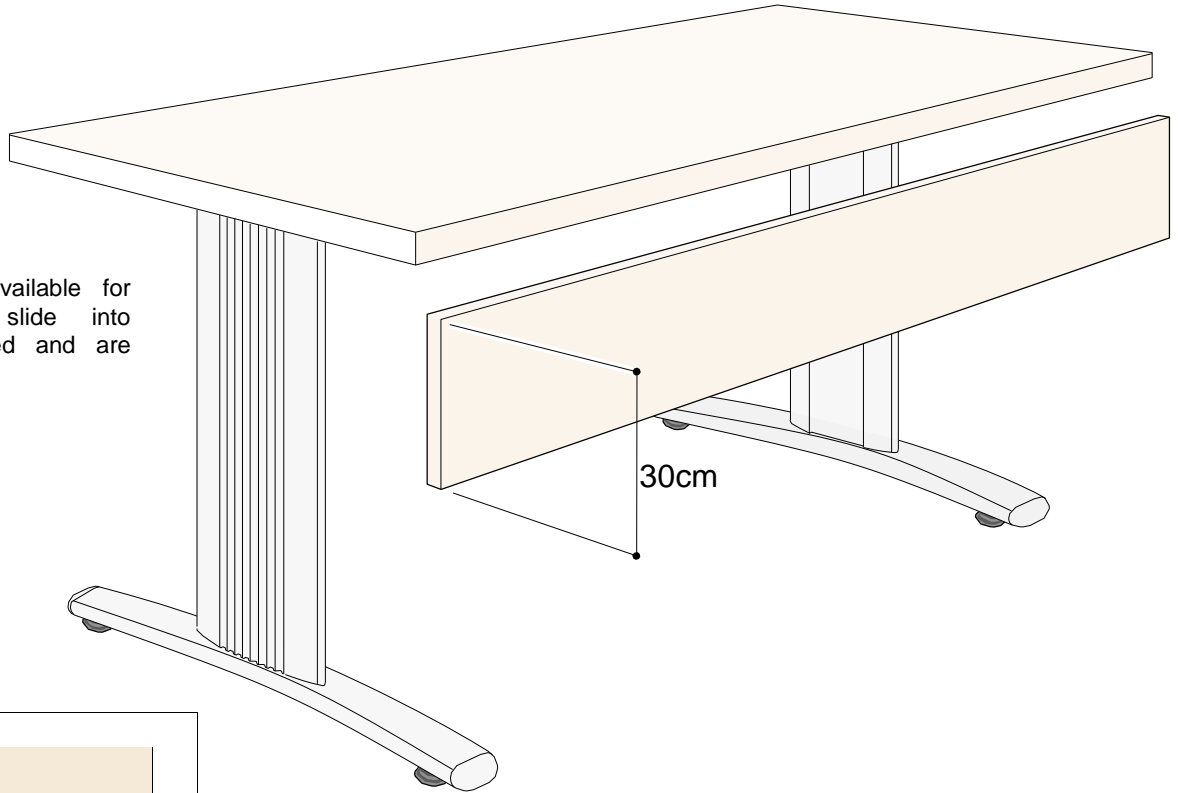


**TABLE LOCKING SYSTEM**

Tables can be linked together using the cam locks. Always indicate which tables are to be linked. Extra links can be purchased separately.

**MODESTY PANEL**

Modesty panels are available for each width. These slide into position when required and are easily removable.



**Sizes**

Modesty panels are 30cm deep and are available for each width of table.



## Table top colour range for Seminar tables



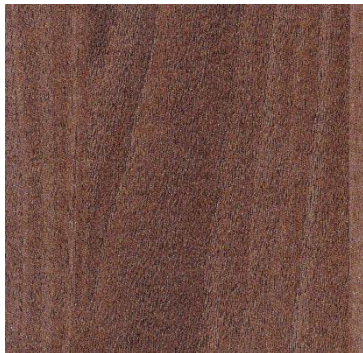
**Beech**



**Maple**



**Oak**



**Walnut**



**Wenge**