

*Featherlite*<sup>®</sup>



# Challenges

- ⦿ Capex
- ⦿ Uncertainty of customer requirements
- ⦿ Change in layouts
- ⦿ Short term space rentals
- ⦿ Re-configuring space
- ⦿ Speed of delivery
- ⦿ Speed of change / layouts
- ⦿ Maintenance & service
- ⦿ Product life cycle / Obsolescence

# Solutions

- ⦿ Opex or low capex
- ⦿ No maintenance - managed asset /AMC
- ⦿ Quick delivery - we hold stock on your behalf with committments
- ⦿ Complete furniture solutions

# — Instant — OFFICE

Edge Workstations

Featherlite presents edge workstations, designed to suit all your office needs. The edge concept is as flexible as your organisation, as components can be added as your business grows.

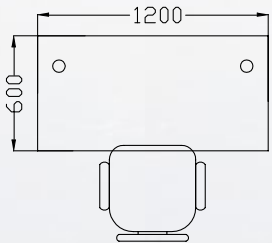
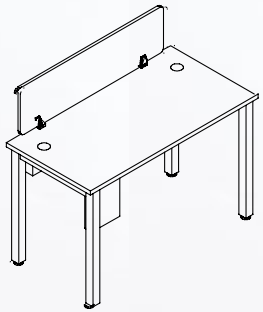
- Highly Modular** Readily available modular furniture to suit every office space.
- Easy Installation** Quick to assemble and easy to maintain quality products.
- One Stop Office** Complete range of furniture that your office needs is here.
- Flexible Form Change**, rearrange recreate your office space, as and when you wish.
- Simple to Relocate / Upgrade** Easy portability and convenient to reassemble.
- Contemporary Design Modern** and innovative designs that evolve out of your need.
- Sturdy and Solid** A result of high quality raw materials and intelligent engineering.

## Technical Specifications

- \*Table Top 25mm thick pre laminated particle board with 2mm edge banding.
- \*Leg/ Under structure 50x50mm powdercoated MS square leg with 40x20mm
- \*MS cross beams.
- \*Screen(1050w x 300ht) Glass Screen: 8mm thick glass screen (Laminated colored glass) and mounted on powdercoated studs



# Edge 1s

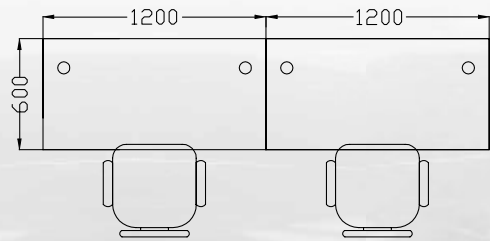
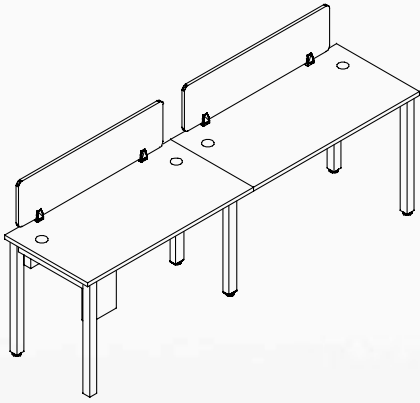


1 Seater  
1200x600



\*T & C Apply  
\*Rental considered for a duration of 24 months  
\*Rental packages starting from 6 months  
\*Delivery and taxes extra

# Edge 2s



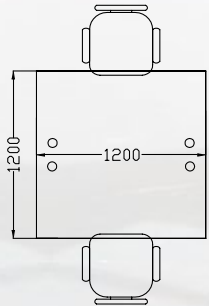
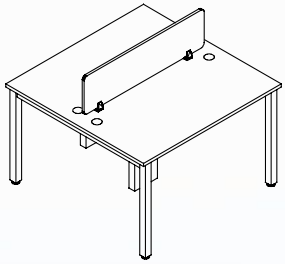
2 Seater  
2400x600



\*T & C Apply  
\*Rental considered for a duration of 24 months  
\*Rental packages starting from 6 months  
\*Delivery and taxes extra



# Edge 2s

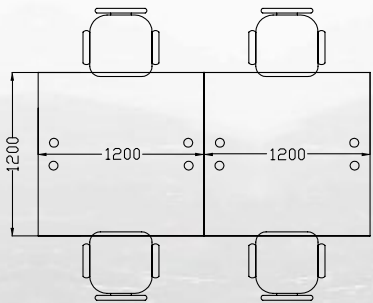
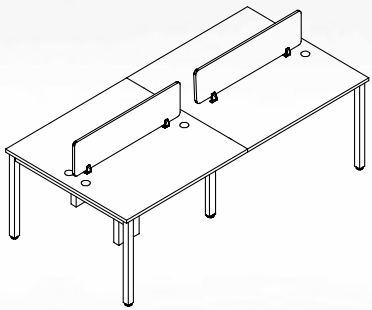


2 Seater  
1200x1200



\*T & C Apply  
\*Rental considered for a duration of 24 months  
\*Rental packages starting from 6 months  
\*Delivery and taxes extra

# Edge 4s



4 Seater  
2400x1200



\*T & C Apply  
\*Rental considered for a duration of 24 months  
\*Rental packages starting from 6 months  
\*Delivery and taxes extra

# Alpha

- \* Alpha Medium PP (Black) Back Mesh Chair
- \* AN 70 Mesh
- \* Fabric Upholstered Cushion Seat
- \* Centre Tilt Mechanism
- \* Fixed Arms
- \* Nylon Base



\*T & C Apply  
\*Rental considered for a duration of 24 months  
\*Rental packages starting from 6 months  
\*Delivery and taxes extra



# Contact

- \* Contact Project Medium Mesh Back Chair
- \* AN 70 Mesh
- \* Fabric Upholstered Cushion Seat
- \* Single Lock Synchro Mechanism
- \* One Way Adjustable Arms (Height)
- \* Nylon Base



\*T & C Apply  
\*Rental considered for a duration of 24 months  
\*Rental packages starting from 6 months  
\*Delivery and taxes extra

# Liberate

- \* Liberate High Mesh Back Chair
- \* IS 20D Mesh
- \* With Head Rest
- \* Fabric Upholstered Cushion Seat
- \* Multilock Mechanism
- \* One Way Adjustable Arms ( Height )
- \* Nylon Base



\*T & C Apply  
\*Rental considered for a duration of 24 months  
\*Rental packages starting from 6 months  
\*Delivery and taxes extra

# Amaze

- \* Amaze Project Medium Back Mesh Chair
- \* AN 70 Mesh
- \* Fabric Upholstered Cushion Seat
- \* Self Calibrating Multilock Mechanism
- \* Adjustable Lumbar Support
- \* One Way Adjustable Arms (Height)
- \* Nylon Base



\*T & C Apply  
\*Rental considered for a duration of 24 months  
\*Rental packages starting from 6 months  
\*Delivery and taxes extra

# Jupiter

- \* Jupiter Medium Back Mesh Chair
- \* AN 70 Mesh
- \* Fabric Upholstered Cushion Seat
- \* Single Lock Synchro Mechanism
- \* Adjustable lumbar support with ergonomic handles
- \* One Way Adjustable Arms (Height)
- \* Nylon Base



\*T & C Apply  
\*Rental considered for a duration of 24 months  
\*Rental packages starting from 6 months  
\*Delivery and taxes extra



# Tang

- \* Polypropylene seat and back
- \* Stackable Cafeteria Chair



# Caf  Table

- \* Table dimension 1200x600



\*T & C Apply  
\*Rental considered for a duration of 24 months  
\*Rental packages starting from 6 months  
\*Delivery and taxes extra

Thank You