



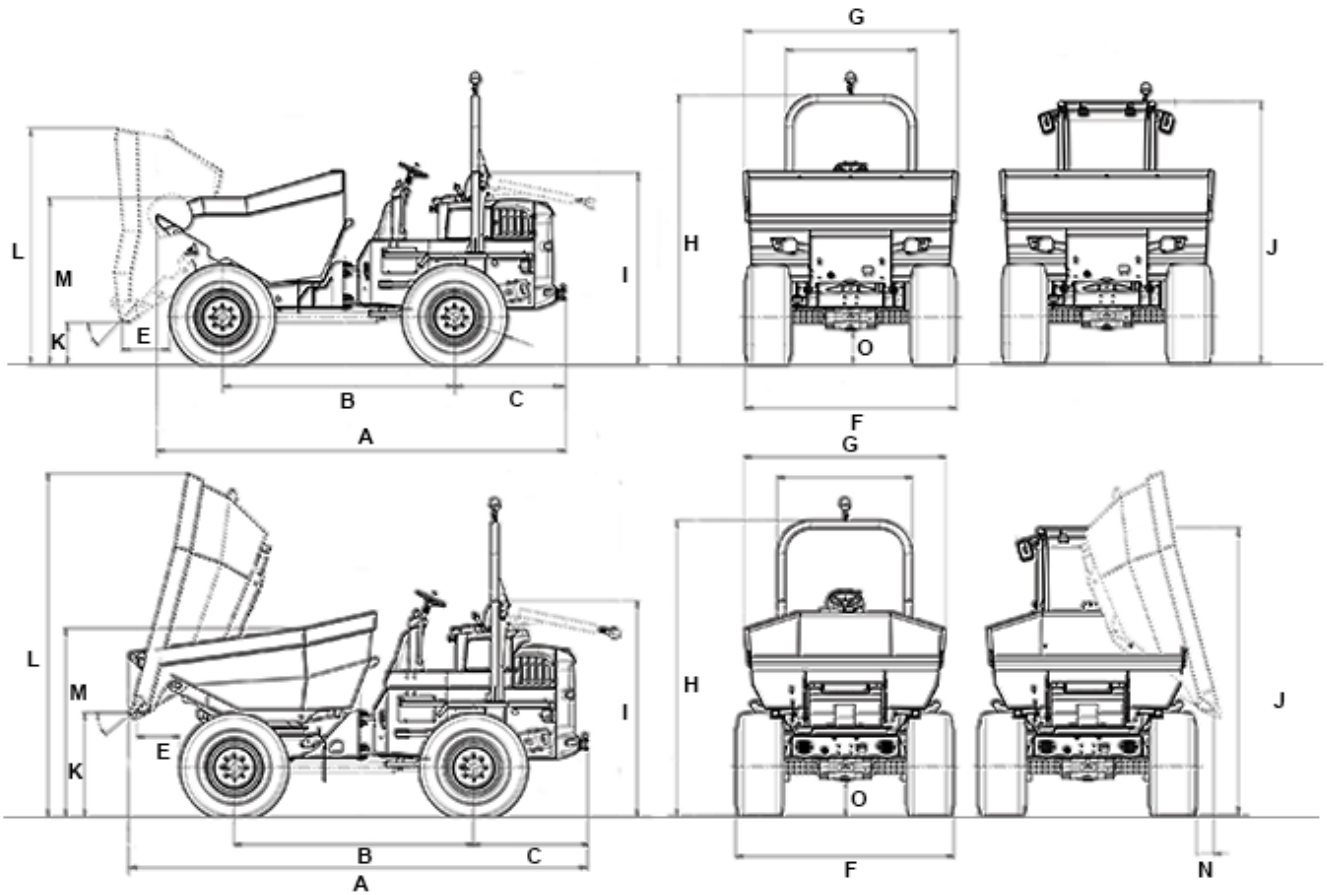
Technical specifications

	front tip skip	swivel tip skip
Operating data		
Payload kg	9,000	9,000
Shipping weight ROPS kg	5,232	5,664
Shipping weight Cabin kg	5,432	5,864
Operating weight ROPS kg	5,314	5,746
Operating weight Kabine kg	5,514	5,946
Skip capacity struck l	3,750	3,300
Skip capacity heaped l	4,550	4,400
Skip capacity water volume l	2,400	2,060
Engine / Motor		
Engine / Motor manufacturer	Perkins	Perkins
Engine / Motor type	854E	854E
Engine / Motor	water-cooled 4-cylinder turbo-diesel incl. intercooler	water-cooled 4-cylinder turbo-diesel incl. intercooler
Engine performance according to ISO 3046/1 kW	55	55
Displacement cm ³	3,400	3,400
Engine RPM rpm	2500	2500
Emissions	Level 3b/Tier 4 final	Level 3b/Tier 4 final
Traction drive	4WD, hydrostatic incl. ECO mode	4WD, hydrostatic incl. ECO mode
Travel speed km/h	25	25
Articulation angle °	29	29
Pendulum angle °	11	11
Turning radius mm	6,000	6,550
Gradeability %	50	50
Tires	500/60-22,5	500/60-22,5
L x W x H mm	4760 x 2465 x 3165	5185 x 2465 x 2545
Steering pump	Axial piston pump	Axial piston pump
Flow rate l/min	171	171
Operating pressure bar	450	450
Duty pump	Gear pump	Gear pump
Flow rate l/min	68	68
Operating pressure bar	235	235
Tank capacity l	83	83



**WACKER
NEUSON**
all it takes!

Dimensions



		front tip skip	swivel tip skip
A	Overall length	4,762 mm	5,185 mm
B	Wheelbase	2,700 mm	2,700 mm
C	Rear overhang	1,292 mm	1,292 mm
E	Dumping distance	556 mm	482 mm
F	Width	2,463 mm	2,463 mm
G	Skip width	2,493 mm	2,273 mm
H	Height ROPS	3,163 mm	3,353 mm
I	Height ROPS tilted	2,354 mm	2,544 mm
J	Height Cabine	3,053 mm	3,243 mm



**WACKER
NEUSON**
all it takes!

K	Dump height max.	495 mm	1,169 mm
L	Skip height tilted	2,756 mm	3,867 mm
M	Skip height not tilted	1,949 mm	2,121 mm
N	Dumping distance lateral		188 mm
O	Ground clearance	406 mm	406 mm
--	Dump angle	47 °	40 °

Please note

that product availability can vary from country to country. It is possible that information / products may not be available in your country. More detailed information on engine power can be found in the operator's manual; the stated power may vary due to specific operating conditions. Subject to alterations and errors excepted. Applicable also to illustrations.

Copyright © 2017 Wacker Neuson SE.