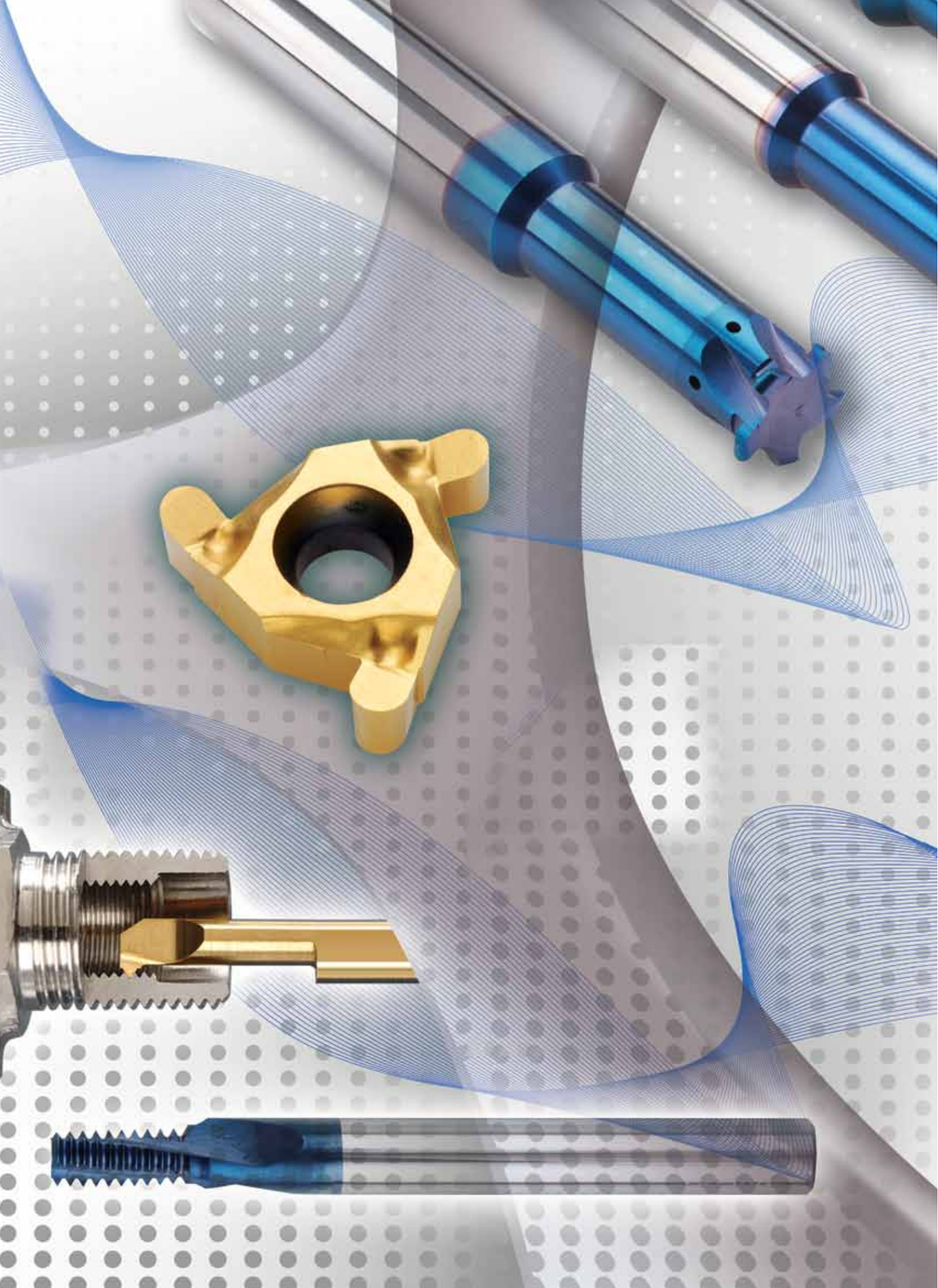




**C.P.T.**  
*Carbide Precision Tools*



2016-17





## **Company Profile**

C.P.T.

**CPT is a leading manufacturer of high quality cutting tools.**

### PRODUCT LINE

*Thread Turning inserts and Tool holders, Mill-Thread inserts and Tool holders, Mill-Thread Solid Carbide, Spiral Mill-Thread, Grooving tools, Mini Chamfer mills and the Tiny Tools line of small boring bars for threading, turning, grooving small parts. The company's different product lines are recognised worldwide as advanced technology, reliable full range lines that offer accurate geometry, excellent cutting performances and extended tool life. CPT also produces special tools in accordance with customer's requirements.*

*In addition to our unyielding strive for high quality, speedy service and reliability, CPT is certified by ISO 9001:2008, ISO 13485:2003, ISO 14001:2004, OHSAS 18001 and soon by CE. Our products and the service we provide, live up to the highest standards and out-perform them. Most of our customers' requirements are supplied immediately from our readily available wide range of stock in Germany, as well as from our agents and distributors' stocks around the world.*



## Thread - Turning

### New HBA Grade

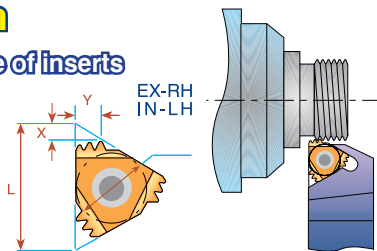
A new extra-fine sub-micron grade with high toughness, for optimized performance on hardened steels and cast iron up to 62HRC, titanium alloys and super alloys (hastelloy, inconel and nickel based alloys). Available for inserts sizes: 11, 16, 22, 27.



Page: 60

### Multitooth

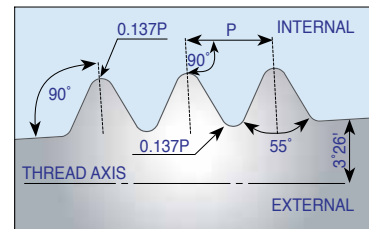
Extended range of inserts



Page: 15

Thread Turning inserts for

### DIN 477 profile



Page: 24

### Type B

Ground Profile with Sintered Chip-breaker

- Size 11 mm inserts



Page: 10

### Quick Change

Polygon Threading Toolholders



Page: 45

## Tiny Tools

### MZL Bars - Face Grooving



Page: 95

### CMR - C.P.T. Multi-Task Tiny Tools



Page: 96

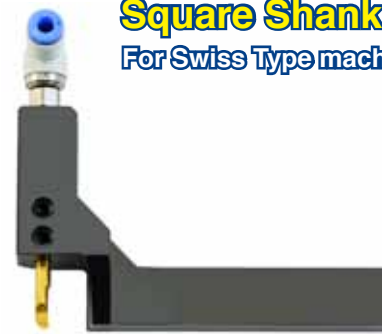
### HK - Broaching Tools for Hexagon Keys



Page: 97

### Square Shank Holders

For Swiss Type machines



Page: 100

**New Products** for MTR, MPR, MIR, MGR, MGR, MKR.

Page: 76-90

## Mini Tools

- C.P.T. presents Mini Tools, a new generation of vertical inserts and toolholders for threading, chamfering, grooving and turning, from 8 mm min. diameter.

- Steel holders are also available



Page: 105

## Swiss Line

- C.P.T. is introducing a new line of inserts and toolholders, developed for automatic lathes and Swiss Type machines.
- Designed for economic parting, grooving, profiling and chamfering mass production.



Page: 115

## Mill - Thread

### CMT - Vertical Mill - Thread

- Spiral multi flute inserts
- CMT multi inserts milling cutters



Pages: 173-197

### Mini Spiral Mill - Thread

- Spiral fluted toolholders hold 1 to 3 inserts.
- Comparatively small cutting diameters.
- Toolholders with internal coolant bore.
- Smooth cutting operation at a high feed rate.
- Reduced machining time.
- Spiral design reduces vibrations and chatter.
- High grade surface finish.



Pages: 161-170

### FMT

C.P.T. has designed a unique line of solid carbide thread milling tools FMT for increased productivity and high performance. Large number of flutes achieve significant shorter machining time.



Page: 216

### DMTH

The new DMTH tools expand the range of the existing DMT line providing the ability to cut steels, hardened materials, stainless steels and super alloys.



Page: 229

## Groove Milling

- With internal coolant through the flutes
- Same tool for Internal and External Grooving



Page: 258

## Mini Chamfer - 150°

- Optimal for deburring, back chamfering and grooving
- Double side cutting
- Spiral flutes allows smooth cutting action
- General purpose for all materials



Page: 262

# Main Content

Page:

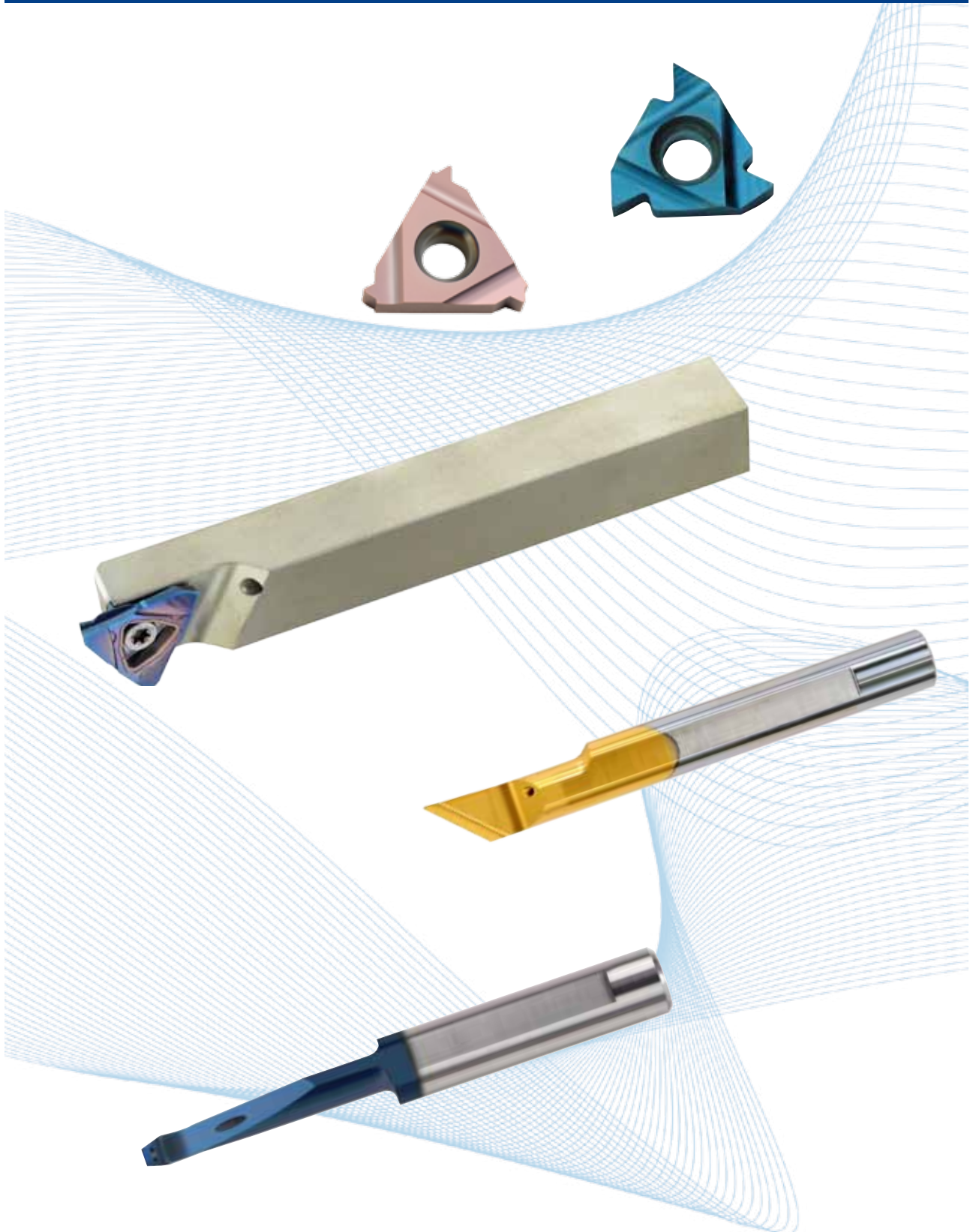
**Turning Tools**

**1-136**

**Milling Tools**

**137-275**

# Turning Tools



## CONTENTS:

Page:

Thread Turning Inserts

3-36



Thread Turning Toolholders and Kits

37-52



Double Sided Thread Turning Inserts and Toolholders

53-58



Thread Turning Technical Section

59-66



Grooving Tools

69-72



Tiny Tools

73-104



Mini Tools

105-114



Swiss Line

115-130



Carbide Shank Turning Toolholders and Insert

131-132



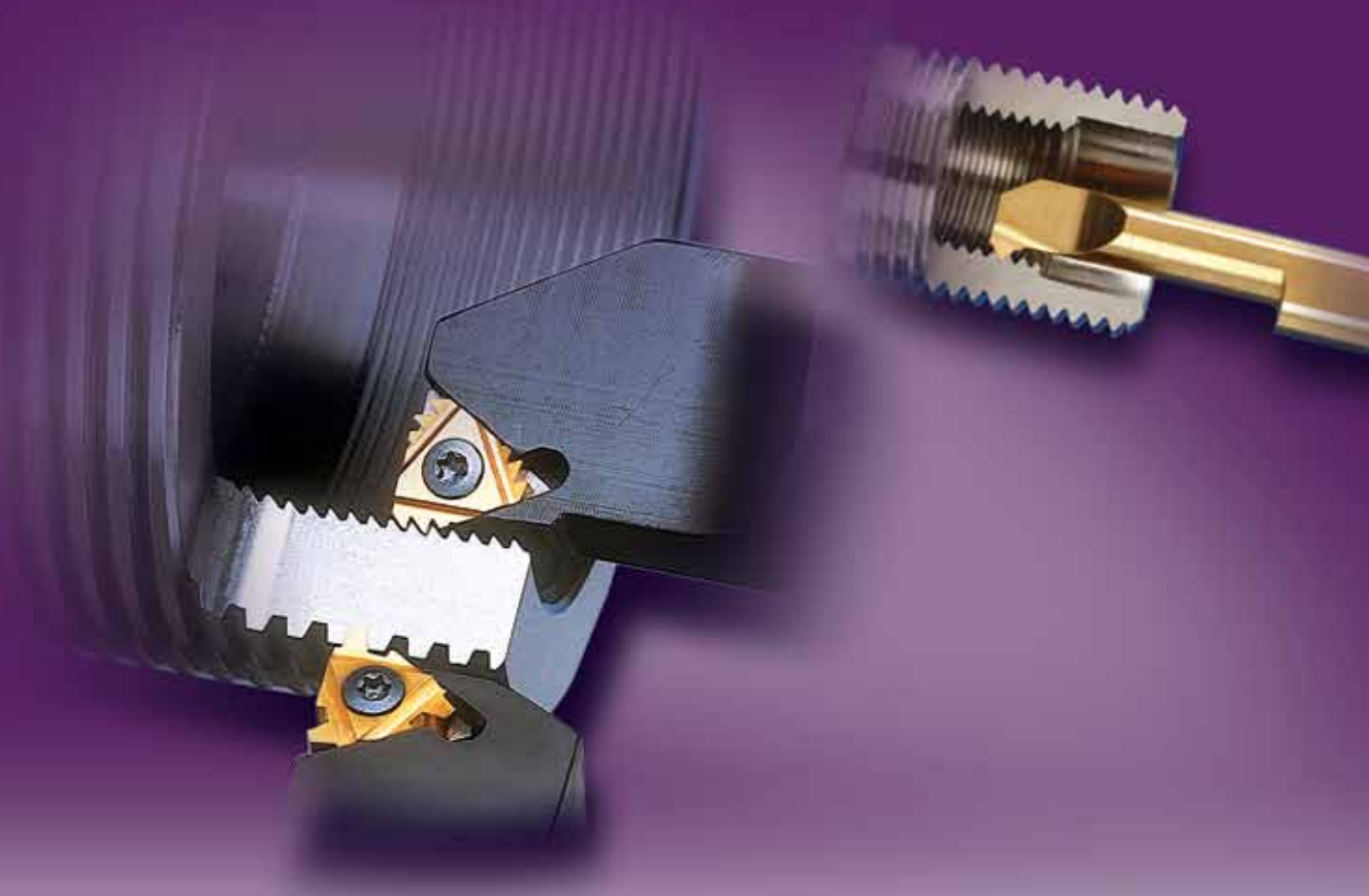
Thread Whirling

133-136



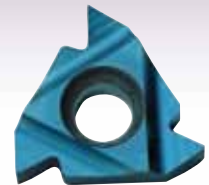


# Thread Turning Inserts



## BLU Grade

A sub-micrograin grade with PVD triple layer coating. The BLU grade provides a combination of very high strength with high wear resistance.



## HBA Grade

An extra-fine sub-micron grade with high toughness, for optimized performance on Hardened Steels and Cast Iron up to 62HRc, Titanium Alloys and Super Alloys (Hastelloy, Inconel, and Nickel based alloys).



### Contents:

Page:

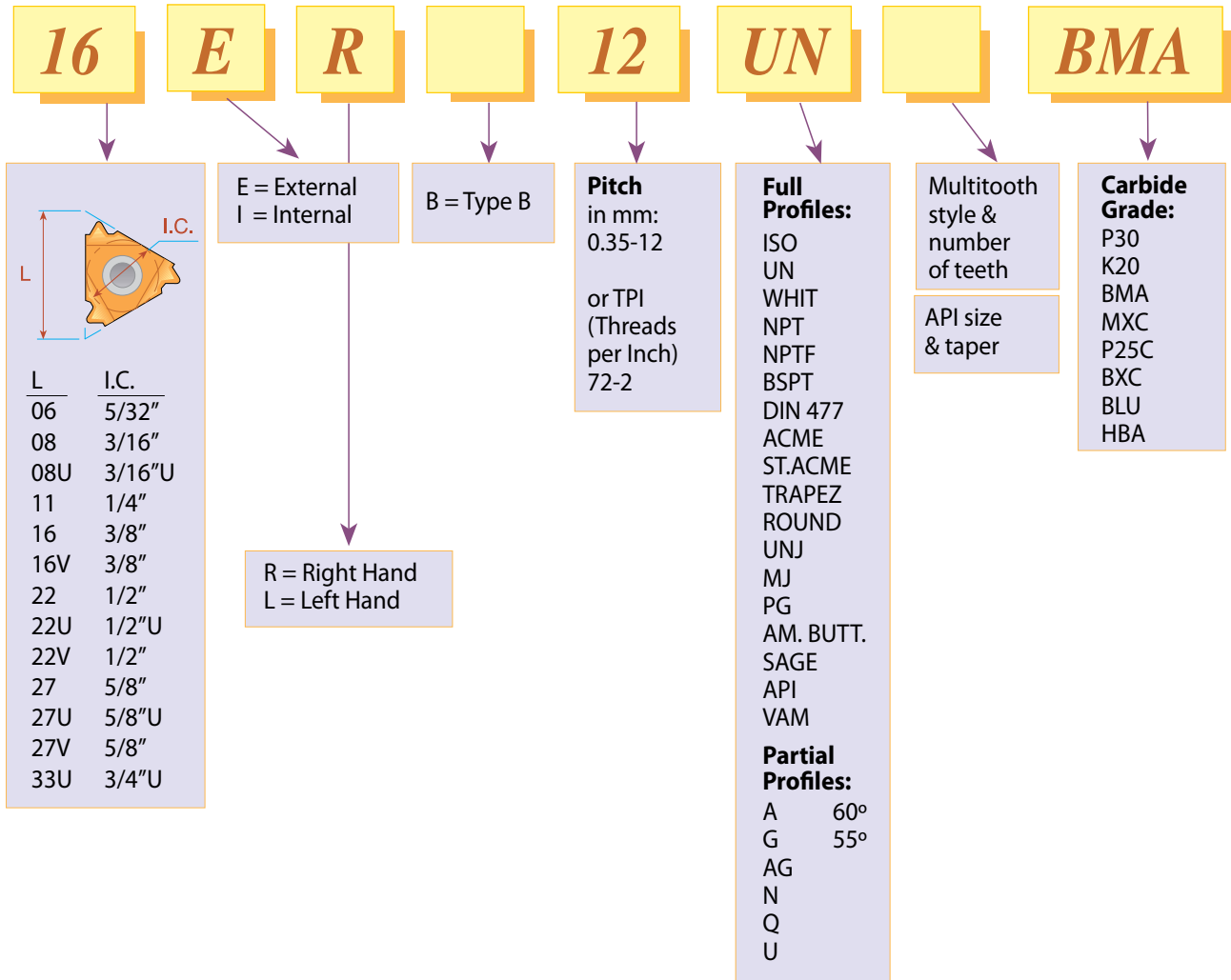
### Contents:

Page:

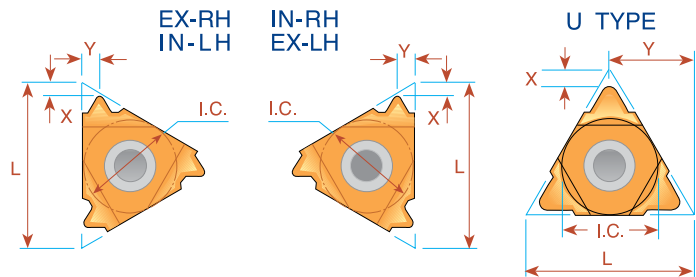
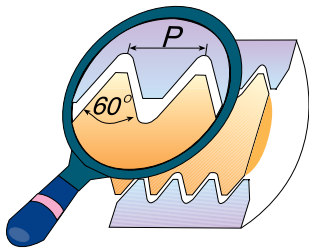
Product Identification	4	Stub Acme	26
Partial Profile 60°	5-6	Trapez - DIN 103	27
Partial Profile 55°	7-8	PG - DIN 40430	28
ISO - metric	9-11	Sägengewinde - DIN 513	28
UN - unified	12-15	Round - DIN 405	29
Whitworth 55°	16-19	Round - DIN 20400	29
NPT	20-21	UNJ	30-31
NPTF	22	MJ - ISO 5855	32
BSPT	23-24	American Buttress	33
DIN 477	24	Oil Threads	34-36
Acme	25	VAM	36

## Product Identification

### Thread Turning Inserts Ordering Codes



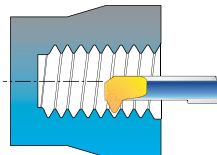
## Partial Profile 60°



L	I.C. in	Pitch Range		<b>EXTERNAL</b>		<b>INTERNAL</b>		X	Y
		mm	TPI	Ordering Code Right Hand	Ordering Code Left Hand	Ordering Code Right Hand	Ordering Code Left Hand		
6	5/32	0.5 -1.25	48-20	<i>ULTRA MINIATURE</i> →		<b>*06 IR A60</b>	<b>*06 IL A60</b>	0.6	0.6
8	3/16	0.5 -1.5	48-16	<i>MINIATURE</i> →		<b>*08 IR A60</b>	<b>*08 IL A60</b>	0.6	0.7
8U	3/16U	1.75-2.0	14-11	<i>"U" MINIATURE</i> →		<b>*08U IR/L U60</b>		0.8	4.0
11	1/4	0.5 -1.5	48-16	<b>11 ER A60</b>	<b>11 EL A60</b>	<b>11 IR A60</b>	<b>11 IL A60</b>	0.8	0.9
16	3/8	0.5 -1.5	48-16	<b>16 ER A60</b>	<b>16 EL A60</b>	<b>16 IR A60</b>	<b>16 IL A60</b>	0.8	0.9
16	3/8	1.75-3.0	14- 8	<b>16 ER G60</b>	<b>16 EL G60</b>	<b>16 IR G60</b>	<b>16 IL G60</b>	1.2	1.7
16	3/8	0.5 -3.0	48- 8	<b>16 ER AG60</b>	<b>16 EL AG60</b>	<b>16 IR AG60</b>	<b>16 IL AG60</b>	1.2	1.7
22	1/2	3.5 -5.0	7- 5	<b>22 ER N60</b>	<b>22 EL N60</b>	<b>22 IR N60</b>	<b>22 IL N60</b>	1.7	2.5
22U	1/2U	5.5 -8.0	4.5- 3.25	<b>22U E/R/L U60</b>				0.6	11.0
27	5/8	5.5 -6.0	4.5- 4	<b>27 ER Q60</b>	<b>27 EL Q60</b>	<b>27 IR Q60</b>	<b>27 IL Q60</b>	2.1	3.1
27U	5/8U	6.5 -9.0	4- 2.75	<b>27U E/R/L U60</b>				1.0	13.7

Order example: 16 ER G60 MXC

For small bore threading see page 82  
\* Available only in BXC and BMA grades



## Type B Ground Profile with Sintered Chip-breaker

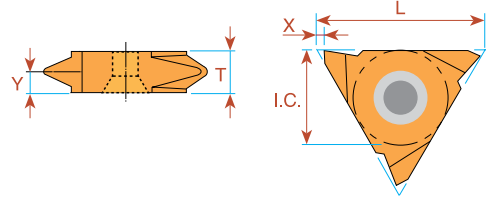


L	I.C. in	Pitch Range		<b>EXTERNAL</b>	<b>INTERNAL</b>	X	Y
		mm	TPI	Ordering Code Right Hand	Ordering Code Left Hand		
16	3/8	0.5 -1.5	48-16	<b>16 ER B A60</b>	<b>16 IR B A60</b>	0.8	0.9
16	3/8	1.75-3.0	14- 8	<b>16 ER B G60</b>	<b>16 IR B G60</b>	1.2	1.7
16	3/8	0.5 -3.0	48- 8	<b>16 ER B AG60</b>	<b>16 IR B AG60</b>	1.2	1.7

Order example: 16 ER B G60 BMA

For Carbide Grade and Cutting Speed see page 60-61

## Partial Profile 60° Vertical

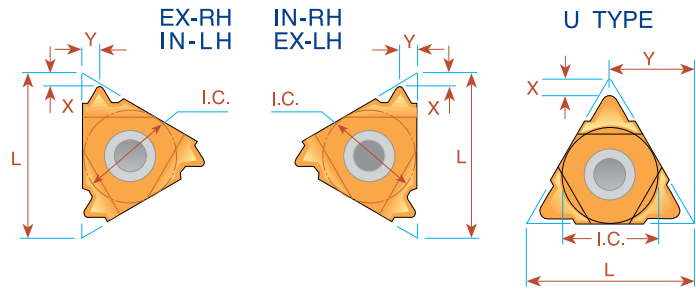
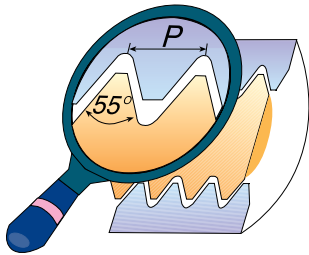


L	I.C. in	Pitch Range		<b>EXTERNAL</b> Ordering Code		<b>INTERNAL</b> Ordering Code		X	Y	T
		mm	TPI	Right Hand	Left Hand	Right Hand	Left Hand			
16	3/8	0.5 - 1.5	48-16	<b>16V ER A60</b>	<b>16V EL A60</b>			1.0	0.9	3.6
16	3/8	1.75- 3.0	14- 8	<b>16V ER G60</b>	<b>16V EL G60</b>			1.0	1.8	3.6
16	3/8	0.5 - 3.0	48- 8	<b>16V ER AG60</b>	<b>16V EL AG60</b>			1.0	1.8	3.6
22	1/2	1.75- 3.0	14- 8	<b>22V ER G60</b>	<b>22V EL G60</b>			1.2	1.7	4.0
22	1/2	0.5 - 5.0	7- 5	<b>22V ER N60</b>	<b>22V EL N60</b>			1.2	2.5	4.8
27	5/8	6.0 -10.0	4- 2.5	<b>27V ER V60</b>	<b>27V EL V60</b>	<b>27V IR V60</b>	<b>27V IL V60</b>	1.8	5.2	10.4

Order example: 16V ER G60 BMA

For Carbide Grade and Cutting Speed see page 60-61

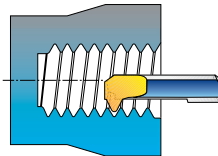
## Partial Profile 55°



L	I.C. in	Pitch Range		<b>EXTERNAL</b> Ordering Code		<b>INTERNAL</b> Ordering Code		X	Y
		mm	TPI	Right Hand	Left Hand	Right Hand	Left Hand		
6	5/32	0.5 -1.25	48-20	<i>ULTRA MINIATURE</i> →		<b>*06 IR A55</b>	<b>*06 IL A55</b>	0.5	0.6
8	3/16	0.5 -1.5	48-16	<i>MINIATURE</i> →		<b>*08 IR A55</b>	<b>*08 IL A55</b>	0.6	0.7
8U	3/16U	1.75-2.0	14-11	<i>"U" MINIATURE</i> →		<b>*08U IR/L U55</b>		0.9	4.0
11	1/4	0.5 -1.5	48-16	<b>11 ER A55</b>	<b>11 EL A55</b>	<b>11 IR A55</b>	<b>11 IL A55</b>	0.8	0.9
16	3/8	0.5 -1.5	48-16	<b>16 ER A55</b>	<b>16 EL A55</b>	<b>16 IR A55</b>	<b>16 IL A55</b>	0.8	0.9
16	3/8	1.75-3.0	14- 8	<b>16 ER G55</b>	<b>16 EL G55</b>	<b>16 IR G55</b>	<b>16 IL G55</b>	1.2	1.7
16	3/8	0.5 -3.0	48- 8	<b>16 ER AG55</b>	<b>16 EL AG55</b>	<b>16 IR AG55</b>	<b>16 IL AG55</b>	1.2	1.7
22	1/2	3.5 -5.0	7- 5	<b>22 ER N55</b>	<b>22 EL N55</b>	<b>22 IR N55</b>	<b>22 IL N55</b>	1.7	2.5
22U	1/2U	5.5 -8.0	4.5- 3.25	<b>22U E/R/L U55</b>				0.9	11.0
27	5/8	5.5 -6.0	4.5- 4	<b>27 ER Q55</b>	<b>27 EL Q55</b>	<b>27 IR Q55</b>	<b>27 IL Q55</b>	2.0	2.9
27U	5/8U	6.5 -9.0	4 - 2.75	<b>27U E/R/L U55</b>				1.2	13.7

Order example: 16 ER G55 MXC

For small bore threading see page 82  
\* Available only in BXC and BMA grades



## Type B Ground Profile with Sintered Chip-breaker

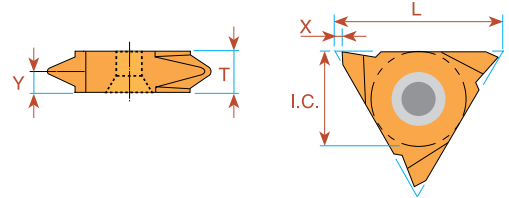


L	I.C. in	Pitch Range		<b>EXTERNAL</b> Ordering Code	<b>INTERNAL</b> Ordering Code	X	Y
		mm	TPI	Right Hand	Right Hand		
16	3/8	1.75-3.0	14-8	<b>16 ER B G55</b>	<b>16 IR B G55</b>	1.2	1.7
16	3/8	0.5-3.0	48-8	<b>16 ER B AG55</b>	<b>16 IR B AG55</b>	1.2	1.7

Order example: 16 ER B G55 BMA

For Carbide Grade and Cutting Speed see page 60-61

## Partial Profile 55° Vertical

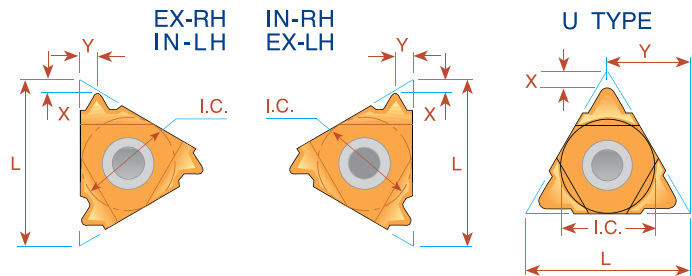
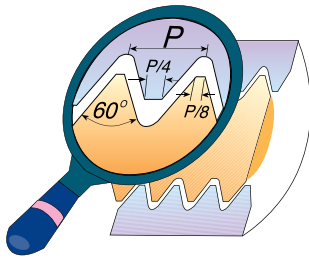


L	I.C. in	Pitch Range		<b>EXTERNAL</b> Ordering Code		<b>INTERNAL</b> Ordering Code		X	Y	T
		mm	TPI	Right Hand	Left Hand	Right Hand	Left Hand			
16	3/8	0.5 - 1.5	48-16	<b>16V ER A55</b>	<b>16V EL A55</b>			1.0	0.9	3.6
16	3/8	1.75- 3.0	14- 8	<b>16V ER G55</b>	<b>16V EL G55</b>			1.0	1.7	3.6
16	3/8	0.5 - 3.0	48- 8	<b>16V ER AG55</b>	<b>16V EL AG55</b>			1.0	1.8	3.6
22	1/2	3.5 - 5.0	7- 5	<b>22V ER N55</b>	<b>22V EL N55</b>			1.2	2.5	4.8
27	5/8	6.0-10.0	4- 2.5	<b>27V ER V55</b>	<b>27V EL V55</b>	<b>27V IR V55</b>	<b>27V IL V55</b>	1.8	5.2	10.4

Order example: 22V ER N55 BMA

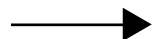
For Carbide Grade and Cutting Speed see page 60-61

## ISO - metric

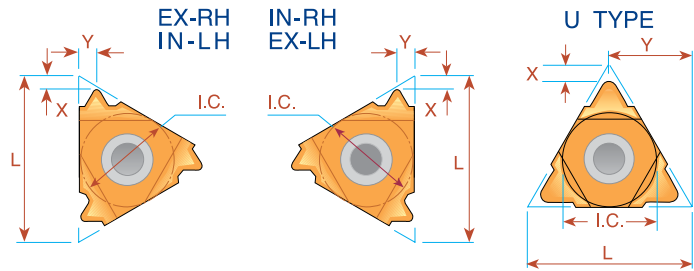
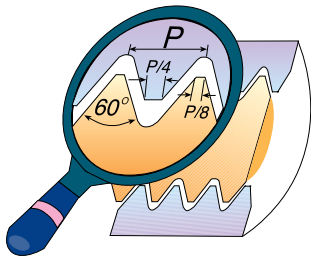


Pitch mm	L	I.C. in	EXTERNAL				INTERNAL			
			Ordering Code		X	Y	Ordering Code		X	Y
Right Hand	Left Hand	Right Hand	Left Hand	Right Hand			Left Hand			
0.5	6	5/32	<i>ULTRA MINIATURE</i> →				*06 IR 0.5 ISO	*06 IL 0.5 ISO	0.9	0.5
0.75	6	5/32					*06 IR 0.75 ISO	*06 IL 0.75 ISO	0.8	0.5
1.0	6	5/32					*06 IR 1.0 ISO	*06 IL 1.0 ISO	0.7	0.6
1.25	6	5/32					*06 IR 1.25 ISO	*06 IL 1.25 ISO	0.6	0.6
0.5	8	3/16	<i>MINIATURE</i> →				*08 IR 0.5 ISO	*08 IL 0.5 ISO	0.6	0.5
0.75	8	3/16					*08 IR 0.75 ISO	*08 IL 0.75 ISO	0.6	0.5
1.0	8	3/16					*08 IR 1.0 ISO	*08 IL 1.0 ISO	0.6	0.6
1.25	8	3/16					*08 IR 1.25 ISO	*08 IL 1.25 ISO	0.6	0.7
1.5	8	3/16					*08 IR 1.5 ISO	*08 IL 1.5 ISO	0.6	0.7
1.75	8	3/16					*08 IR 1.75 ISO	*08 IL 1.75 ISO	0.6	0.8
2.0	8U	3/16U	<i>"U" MINIATURE</i> →				*08U IR/L 2.0 ISO		0.9	4.0
0.35	11	1/4	11 ER 0.35 ISO	11 EL 0.35 ISO	0.8	0.4	11 IR 0.35 ISO	11 IL 0.35 ISO	0.8	0.3
0.4	11	1/4	11 ER 0.4 ISO	11 EL 0.4 ISO	0.7	0.4	11 IR 0.4 ISO	11 IL 0.4 ISO	0.8	0.4
0.45	11	1/4	11 ER 0.45 ISO	11 EL 0.45 ISO	0.7	0.4	11 IR 0.45 ISO	11 IL 0.45 ISO	0.8	0.4
0.5	11	1/4	11 ER 0.5 ISO	11 EL 0.5 ISO	0.6	0.6	11 IR 0.5 ISO	11 IL 0.5 ISO	0.6	0.6
0.6	11	1/4	11 ER 0.6 ISO	11 EL 0.6 ISO	0.6	0.6	11 IR 0.6 ISO	11 IL 0.6 ISO	0.6	0.6
0.7	11	1/4	11 ER 0.7 ISO	11 EL 0.7 ISO	0.6	0.6	11 IR 0.7 ISO	11 IL 0.7 ISO	0.6	0.6
0.75	11	1/4	11 ER 0.75 ISO	11 EL 0.75 ISO	0.6	0.6	11 IR 0.75 ISO	11 IL 0.75 ISO	0.6	0.6
0.8	11	1/4	11 ER 0.8 ISO	11 EL 0.8 ISO	0.6	0.6	11 IR 0.8 ISO	11 IL 0.8 ISO	0.6	0.6
1.0	11	1/4	11 ER 1.0 ISO	11 EL 1.0 ISO	0.7	0.7	11 IR 1.0 ISO	11 IL 1.0 ISO	0.6	0.7
1.25	11	1/4	11 ER 1.25 ISO	11 EL 1.25 ISO	0.8	0.9	11 IR 1.25 ISO	11 IL 1.25 ISO	0.8	0.8
1.5	11	1/4	11 ER 1.5 ISO	11 EL 1.5 ISO	0.8	1.0	11 IR 1.5 ISO	11 IL 1.5 ISO	0.8	1.0
1.75	11	1/4	11 ER 1.75 ISO	11 EL 1.75 ISO	0.8	1.1	11 IR 1.75 ISO	11 IL 1.75 ISO	0.8	1.1
2.0	11	1/4					11 IR 2.0 ISO	11 IL 2.0 ISO	0.8	0.9
2.5	11	1/4					11 IR 2.5 ISO	11 IL 2.5 ISO	0.8	1.2
0.35	16	3/8	16 ER 0.35 ISO	16 EL 0.35 ISO	0.8	0.4	16 IR 0.35 ISO	16 IL 0.35 ISO	0.8	0.3
0.4	16	3/8	16 ER 0.4 ISO	16 EL 0.4 ISO	0.7	0.4	16 IR 0.4 ISO	16 IL 0.4 ISO	0.8	0.4
0.45	16	3/8	16 ER 0.45 ISO	16 EL 0.45 ISO	0.7	0.4	16 IR 0.45 ISO	16 IL 0.45 ISO	0.8	0.4
0.5	16	3/8	16 ER 0.5 ISO	16 EL 0.5 ISO	0.6	0.6	16 IR 0.5 ISO	16 IL 0.5 ISO	0.6	0.6
0.6	16	3/8	16 ER 0.6 ISO	16 EL 0.6 ISO	0.6	0.6	16 IR 0.6 ISO	16 IL 0.6 ISO	0.6	0.6
0.7	16	3/8	16 ER 0.7 ISO	16 EL 0.7 ISO	0.6	0.6	16 IR 0.7 ISO	16 IL 0.7 ISO	0.6	0.6
0.75	16	3/8	16 ER 0.75 ISO	16 EL 0.75 ISO	0.6	0.6	16 IR 0.75 ISO	16 IL 0.75 ISO	0.6	0.6
0.8	16	3/8	16 ER 0.8 ISO	16 EL 0.8 ISO	0.6	0.6	16 IR 0.8 ISO	16 IL 0.8 ISO	0.6	0.6
1.0	16	3/8	16 ER 1.0 ISO	16 EL 1.0 ISO	0.7	0.7	16 IR 1.0 ISO	16 IL 1.0 ISO	0.6	0.7
1.25	16	3/8	16 ER 1.25 ISO	16 EL 1.25 ISO	0.8	0.9	16 IR 1.25 ISO	16 IL 1.25 ISO	0.8	0.9
1.5	16	3/8	16 ER 1.5 ISO	16 EL 1.5 ISO	0.8	1.0	16 IR 1.5 ISO	16 IL 1.5 ISO	0.8	1.0
1.75	16	3/8	16 ER 1.75 ISO	16 EL 1.75 ISO	0.9	1.2	16 IR 1.75 ISO	16 IL 1.75 ISO	0.9	1.2
2.0	16	3/8	16 ER 2.0 ISO	16 EL 2.0 ISO	1.0	1.3	16 IR 2.0 ISO	16 IL 2.0 ISO	1.0	1.3
2.5	16	3/8	16 ER 2.5 ISO	16 EL 2.5 ISO	1.1	1.5	16 IR 2.5 ISO	16 IL 2.5 ISO	1.1	1.5
3.0	16	3/8	16 ER 3.0 ISO	16 EL 3.0 ISO	1.2	1.6	16 IR 3.0 ISO	16 IL 3.0 ISO	1.1	1.5
3.5	16	3/8	16 ER 3.5 ISO	16 EL 3.5 ISO	1.2	1.7	16 IR 3.5 ISO	16 IL 3.5 ISO	1.2	1.7

\* Available only in BXC and BMA grades



## ISO - metric

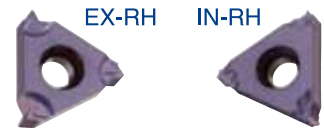
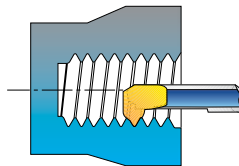


Pitch mm	L	I.C. in	<b>EXTERNAL</b>		X	Y	<b>INTERNAL</b>		X	Y
			Ordering Code Right Hand	Ordering Code Left Hand			Ordering Code Right Hand	Ordering Code Left Hand		
3.5	22	1/2	<b>22 ER 3.5 ISO</b>	<b>22 EL 3.5 ISO</b>	1.6	2.3	<b>22 IR 3.5 ISO</b>	<b>22 IL 3.5 ISO</b>	1.6	2.3
4.0	22	1/2	<b>22 ER 4.0 ISO</b>	<b>22 EL 4.0 ISO</b>	1.6	2.3	<b>22 IR 4.0 ISO</b>	<b>22 IL 4.0 ISO</b>	1.6	2.3
4.5	22	1/2	<b>22 ER 4.5 ISO</b>	<b>22 EL 4.5 ISO</b>	1.7	2.4	<b>22 IR 4.5 ISO</b>	<b>22 IL 4.5 ISO</b>	1.6	2.4
5.0	22	1/2	<b>22 ER 5.0 ISO</b>	<b>22 EL 5.0 ISO</b>	1.7	2.5	<b>22 IR 5.0 ISO</b>	<b>22 IL 5.0 ISO</b>	1.6	2.3
5.5	22	1/2	<b>22 ER 5.5 ISO</b>	<b>22 EL 5.5 ISO</b>	1.7	2.6	<b>22 IR 5.5 ISO</b>	<b>22 IL 5.5 ISO</b>	1.6	2.3
6.0	22	1/2	<b>**22 ER 6.0 ISO</b>	<b>**22 EL 6.0 ISO</b>	1.9	2.7	<b>22 IR 6.0 ISO</b>	<b>22 IL 6.0 ISO</b>	1.6	2.4
5.5	22U	1/2U	<b>22U ER/L 5.5 ISO</b>		2.3	11.0	<b>22U IR/L 5.5 ISO</b>		2.4	11.0
6.0	22U	1/2U	<b>22U ER/L 6.0 ISO</b>		2.6	11.0	<b>22U IR/L 6.0 ISO</b>		2.1	11.0
5.5	27	5/8	<b>27 ER 5.5 ISO</b>	<b>27 EL 5.5 ISO</b>	1.9	2.7	<b>27 IR 5.5 ISO</b>	<b>27 IL 5.5 ISO</b>	1.6	2.3
6.0	27	5/8	<b>27 ER 6.0 ISO</b>	<b>27 EL 6.0 ISO</b>	2.0	2.9	<b>27 IR 6.0 ISO</b>	<b>27 IL 6.0 ISO</b>	1.8	2.5
8.0	27U	5/8U	<b>27U ER/L 8.0 ISO</b>		2.4	13.7	<b>27U IR/L 8.0 ISO</b>		2.4	13.7
12.0	33U	3/4U	<b>33U ER/L 12.0 ISO</b>		2.5	16.5	<b>33U IR/L 12.0 ISO</b>		3.5	16.9

Order example: 22 IR 3.5 ISO BMA

For small bore threading see page 83

\*\* Special holder required



## Type B

### Ground Profile with Sintered Chip-breaker

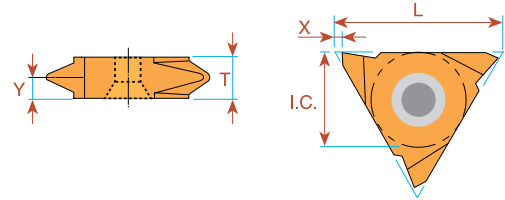
Pitch mm	L	I.C. in	<b>EXTERNAL</b>		X	Y	<b>INTERNAL</b>		X	Y
			Ordering Code Right Hand	Ordering Code Left Hand			Ordering Code Right Hand	Ordering Code Left Hand		
0.5	11	1/4					<b>11 IR B 0.5 ISO</b>		0.6	0.6
0.75	11	1/4					<b>11 IR B 0.75 ISO</b>		0.6	0.6
0.8	11	1/4					<b>11 IR B 0.8 ISO</b>		0.6	0.6
1.0	11	1/4					<b>11 IR B 1.0 ISO</b>		0.6	0.6
1.25	11	1/4					<b>11 IR B 1.25 ISO</b>		0.8	0.9
1.5	11	1/4					<b>11 IR B 1.5 ISO</b>		0.8	0.9
1.75	11	1/4					<b>11 IR B 1.75 ISO</b>		0.8	0.9
2.0	11	1/4					<b>11 IR B 2.0 ISO</b>		0.8	0.9
0.8	16	3/8	<b>16 ER B 0.8 ISO</b>		0.6	0.6				
1.0	16	3/8	<b>16 ER B 1.0 ISO</b>		0.7	0.7	<b>16 IR B 1.0 ISO</b>		0.6	0.7
1.25	16	3/8	<b>16 ER B 1.25 ISO</b>		0.8	0.9	<b>16 IR B 1.25 ISO</b>		0.8	0.9
1.5	16	3/8	<b>16 ER B 1.5 ISO</b>		0.8	1.0	<b>16 IR B 1.5 ISO</b>		0.8	1.0
1.75	16	3/8	<b>16 ER B 1.75 ISO</b>		0.9	1.2	<b>16 IR B 1.75 ISO</b>		0.9	1.2
2.0	16	3/8	<b>16 ER B 2.0 ISO</b>		1.0	1.3	<b>16 IR B 2.0 ISO</b>		1.0	1.3
2.5	16	3/8	<b>16 ER B 2.5 ISO</b>		1.1	1.5	<b>16 IR B 2.5 ISO</b>		1.1	1.5
3.0	16	3/8	<b>16 ER B 3.0 ISO</b>		1.2	1.6	<b>16 IR B 3.0 ISO</b>		1.1	1.5

Order example: 16 IR B 1.5 ISO BMA

For Carbide Grade and Cutting Speed see page 60-61



## ISO - metric Vertical



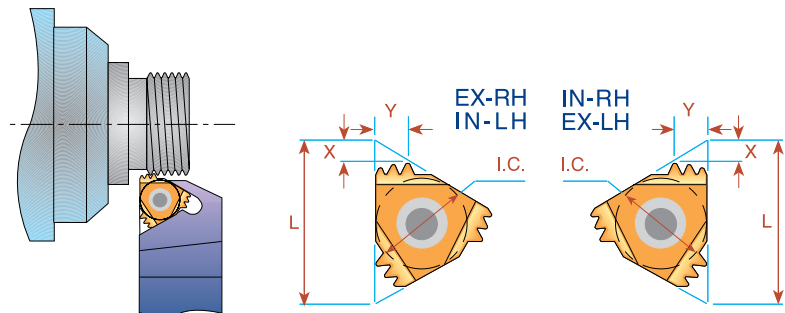
Pitch mm	L	I.C. in	<b>EXTERNAL</b>		<b>INTERNAL</b>		X	Y	T
			Ordering Code Right Hand	Ordering Code Left Hand	Ordering Code Right Hand	Ordering Code Left Hand			
0.5	16	3/8	<b>16V ER 0.5 ISO</b>	<b>16V EL 0.5 ISO</b>			1.0	0.6	3.6
0.75	16	3/8	<b>16V ER 0.75 ISO</b>	<b>16V EL 0.75 ISO</b>			1.0	0.6	3.6
0.8	16	3/8	<b>16V ER 0.8 ISO</b>	<b>16V EL 0.8 ISO</b>			1.0	0.6	3.6
1.0	16	3/8	<b>16V ER 1.0 ISO</b>	<b>16V EL 1.0 ISO</b>			1.0	0.7	3.6
1.25	16	3/8	<b>16V ER 1.25 ISO</b>	<b>16V EL 1.25 ISO</b>			1.0	0.9	3.6
1.5	16	3/8	<b>16V ER 1.5 ISO</b>	<b>16V EL 1.5 ISO</b>			1.0	0.9	3.6
1.75	16	3/8	<b>16V ER 1.75 ISO</b>	<b>16V EL 1.75 ISO</b>			1.0	1.2	3.6
2.0	16	3/8	<b>16V ER 2.0 ISO</b>	<b>16V EL 2.0 ISO</b>			1.0	1.3	3.6
2.5	16	3/8	<b>16V ER 2.5 ISO</b>	<b>16V EL 2.5 ISO</b>			1.0	1.5	3.6
3.0	16	3/8	<b>16V ER 3.0 ISO</b>	<b>16V EL 3.0 ISO</b>			1.0	1.7	3.6
* 8.0	27	5/8	<b>27V ER 8.0 ISO</b>	<b>27V EL 8.0 ISO</b>	<b>27V IR 8.0 ISO</b>	<b>27 IL 8.0 ISO</b>	1.8	5.2	10.4
** 10.0	27	5/8	<b>27V ER 10.0 ISO</b>	<b>27V EL 10.0 ISO</b>	<b>27V IR 10.0 ISO</b>	<b>27 IL 10.0 ISO</b>	1.8	5.2	10.4

Order example: 16V ER 1.5 ISO BMA

\* Minimum bore: Ø60 mm

\*\* Minimum bore: Ø72 mm

## Multitooth



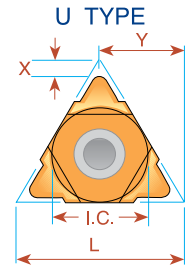
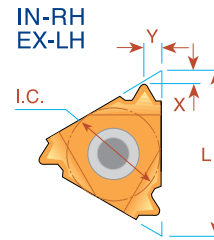
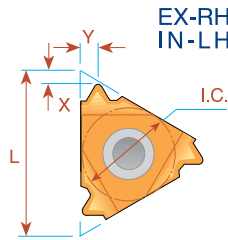
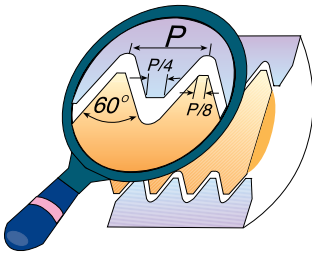
Pitch mm	L	I.C. in	Number of Teeth	<b>EXTERNAL</b>	Anvil	<b>INTERNAL</b>	Anvil	X	Y
				Ordering Code		Ordering Code			
1.0	16	3/8	3	<b>16 ER 1.0 ISO 3M</b>	AE16M	<b>16 IR 1.0 ISO 3M</b>	AI16M	1.7	2.5
1.5	16	3/8	2	<b>16 ER 1.5 ISO 2M</b>	AE16M	<b>16 IR 1.5 ISO 2M</b>	AI16M	1.5	2.3
1.5	22	1/2	3	<b>22 ER 1.5 ISO 3M</b>	AE22M	<b>22 IR 1.5 ISO 3M</b>	AI22M	2.3	3.7
2.0	22	1/2	2	<b>22 ER 2.0 ISO 2M</b>	AE22M	<b>22 IR 2.0 ISO 2M</b>	AI22M	2.0	3.0
2.0	22	1/2	3	<b>22 ER 2.0 ISO 3M</b>	AE22M	<b>22 IR 2.0 ISO 3M</b>	AI22M	3.1	5.0
3.0	27	5/8	2	<b>27 ER 3.0 ISO 2M</b>	AE27M	<b>27 IR 3.0 ISO 2M</b>	AI27M	2.9	4.6

Order example: 22 IR 2.0 ISO 2M BMA

For recommended number of passes see page 62

For Carbide Grade and Cutting Speed see page 60-61

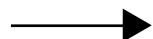
## UN - Unified UNC, UNF, UNEF, UNS



Pitch TPI	L	I.C. in	EXTERNAL				INTERNAL			
			Ordering Code		X	Y	Ordering Code		X	Y
Right Hand	Left Hand	Right Hand	Left Hand	Right Hand			Left Hand			
32	6	5/32	<i>ULTRA MINIATURE</i> →				*06 IR 32 UN	*06 IL 32 UN	0.8	0.5
28	6	5/32					*06 IR 28 UN	*06 IL 28 UN	0.8	0.6
24	6	5/32					*06 IR 24 UN	*06 IL 24 UN	0.7	0.6
20	6	5/32					*06 IR 20 UN	*06 IL 20 UN	0.6	0.6
18	6	5/32					*06 IR 18 UN	*06 IL 18 UN	0.6	0.7
32	8	3/16	<i>MINIATURE</i> →				*08 IR 32 UN	*08 IL 32 UN	0.6	0.5
28	8	3/16					*08 IR 28 UN	*08 IL 28 UN	0.6	0.6
24	8	3/16					*08 IR 24 UN	*08 IL 24 UN	0.6	0.6
20	8	3/16					*08 IR 20 UN	*08 IL 20 UN	0.6	0.7
18	8	3/16					*08 IR 18 UN	*08 IL 18 UN	0.6	0.7
16	8	3/16	*08 IR 16 UN	*08 IL 16 UN	0.6	0.7				
14	8	3/16	*08 IR 14 UN	*08 IL 14 UN	0.6	0.8				
13	8	3/16	*08 IR 13 UN	*08 IL 13 UN	0.8	0.9				
13	8U	3/16U	<i>"U" MINIATURE</i> →				*08U IR/L 13 UN		1.0	4.0
12	8U	3/16U					*08U IR/L 12 UN		0.9	4.0
11	8U	3/16U					*08U IR/L 11 UN		0.9	4.0
72	11	1/4	11 ER 72 UN	11 EL 72 UN	0.8	0.4	11 IR 72 UN	11 IL 72 UN	0.8	0.3
64	11	1/4	11 ER 64 UN	11 EL 64 UN	0.8	0.4	11 IR 64 UN	11 IL 64 UN	0.8	0.4
56	11	1/4	11 ER 56 UN	11 EL 56 UN	0.7	0.4	11 IR 56 UN	11 IL 56 UN	0.7	0.4
48	11	1/4	11 ER 48 UN	11 EL 48 UN	0.6	0.6	11 IR 48 UN	11 IL 48 UN	0.6	0.6
44	11	1/4	11 ER 44 UN	11 EL 44 UN	0.6	0.6	11 IR 44 UN	11 IL 44 UN	0.6	0.6
40	11	1/4	11 ER 40 UN	11 EL 40 UN	0.6	0.6	11 IR 40 UN	11 IL 40 UN	0.6	0.6
36	11	1/4	11 ER 36 UN	11 EL 36 UN	0.6	0.6	11 IR 36 UN	11 IL 36 UN	0.6	0.6
32	11	1/4	11 ER 32 UN	11 EL 32 UN	0.6	0.6	11 IR 32 UN	11 IL 32 UN	0.6	0.6
28	11	1/4	11 ER 28 UN	11 EL 28 UN	0.6	0.7	11 IR 28 UN	11 IL 28 UN	0.6	0.7
27	11	1/4	11 ER 27 UN	11 EL 27 UN	0.7	0.8	11 IR 27 UN	11 IL 27 UN	0.7	0.8
24	11	1/4	11 ER 24 UN	11 EL 24 UN	0.7	0.8	11 IR 24 UN	11 IL 24 UN	0.7	0.8
20	11	1/4	11 ER 20 UN	11 EL 20 UN	0.8	0.9	11 IR 20 UN	11 IL 20 UN	0.8	0.9
18	11	1/4	11 ER 18 UN	11 EL 18 UN	0.8	1.0	11 IR 18 UN	11 IL 18 UN	0.8	1.0
16	11	1/4	11 ER 16 UN	11 EL 16 UN	0.9	1.1	11 IR 16 UN	11 IL 16 UN	0.9	1.1
14	11	1/4	11 ER 14 UN	11 EL 14 UN	0.9	1.1	11 IR 14 UN	11 IL 14 UN	0.9	1.1
13	11	1/4					11 IR 13 UN	11 IL 13 UN	0.8	1.0
12	11	1/4					11 IR 12 UN	11 IL 12 UN	0.9	1.1
11	11	1/4					11 IR 11 UN	11 IL 11 UN	0.8	1.1
72	16	3/8	16 ER 72 UN	16 EL 72 UN	0.8	0.4	16 IR 72 UN	16 IL 72 UN	0.8	0.3
64	16	3/8	16 ER 64 UN	16 EL 64 UN	0.8	0.4	16 IR 64 UN	16 IL 64 UN	0.8	0.4
56	16	3/8	16 ER 56 UN	16 EL 56 UN	0.7	0.4	16 IR 56 UN	16 IL 56 UN	0.7	0.4
48	16	3/8	16 ER 48 UN	16 EL 48 UN	0.6	0.6	16 IR 48 UN	16 IL 48 UN	0.6	0.6
44	16	3/8	16 ER 44 UN	16 EL 44 UN	0.6	0.6	16 IR 44 UN	16 IL 44 UN	0.6	0.6
40	16	3/8	16 ER 40 UN	16 EL 40 UN	0.6	0.6	16 IR 40 UN	16 IL 40 UN	0.6	0.6
36	16	3/8	16 ER 36 UN	16 EL 36 UN	0.6	0.6	16 IR 36 UN	16 IL 36 UN	0.6	0.6

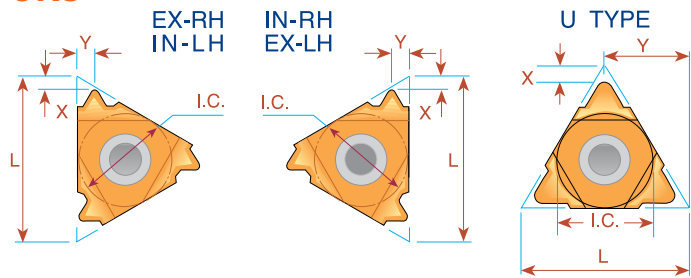
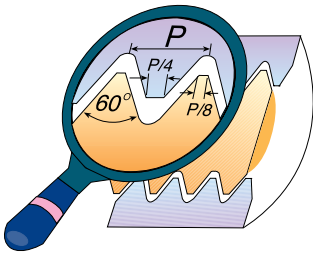
\* Available only in BXC and BMA grades

\*\* To be used with Holder SIR 0009 K08 on page 47



# Thread Turning Inserts

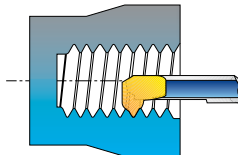
## UN - Unified **UNC, UNF, UNEF, UNS**



Pitch TPI	L	I.C. in	<b>EXTERNAL</b>				<b>INTERNAL</b>			
			Ordering Code		X	Y	Ordering Code		X	Y
			Right Hand	Left Hand			Right Hand	Left Hand		
32	16	3/8	<b>16 ER 32 UN</b>	<b>16 EL 32 UN</b>	0.6	0.6	<b>16 IR 32 UN</b>	<b>16 IL 32 UN</b>	0.6	0.6
28	16	3/8	<b>16 ER 28 UN</b>	<b>16 EL 28 UN</b>	0.6	0.7	<b>16 IR 28 UN</b>	<b>16 IL 28 UN</b>	0.6	0.7
27	16	3/8	<b>16 ER 27 UN</b>	<b>16 EL 27 UN</b>	0.7	0.8	<b>16 IR 27 UN</b>	<b>16 IL 27 UN</b>	0.7	0.8
24	16	3/8	<b>16 ER 24 UN</b>	<b>16 EL 24 UN</b>	0.7	0.8	<b>16 IR 24 UN</b>	<b>16 IL 24 UN</b>	0.7	0.8
20	16	3/8	<b>16 ER 20 UN</b>	<b>16 EL 20 UN</b>	0.8	0.9	<b>16 IR 20 UN</b>	<b>16 IL 20 UN</b>	0.8	0.9
18	16	3/8	<b>16 ER 18 UN</b>	<b>16 EL 18 UN</b>	0.8	1.0	<b>16 IR 18 UN</b>	<b>16 IL 18 UN</b>	0.8	1.0
16	16	3/8	<b>16 ER 16 UN</b>	<b>16 EL 16 UN</b>	0.9	1.1	<b>16 IR 16 UN</b>	<b>16 IL 16 UN</b>	0.9	1.1
14	16	3/8	<b>16 ER 14 UN</b>	<b>16 EL 14 UN</b>	1.0	1.2	<b>16 IR 14 UN</b>	<b>16 IL 14 UN</b>	0.9	1.2
13	16	3/8	<b>16 ER 13 UN</b>	<b>16 EL 13 UN</b>	1.0	1.3	<b>16 IR 13 UN</b>	<b>16 IL 13 UN</b>	1.0	1.3
12	16	3/8	<b>16 ER 12 UN</b>	<b>16 EL 12 UN</b>	1.1	1.4	<b>16 IR 12 UN</b>	<b>16 IL 12 UN</b>	1.1	1.4
11.5	16	3/8	<b>16 ER 11.5 UN</b>	<b>16 EL 11.5 UN</b>	1.1	1.5	<b>16 IR 11.5 UN</b>	<b>16 IL 11.5 UN</b>	1.1	1.5
11	16	3/8	<b>16 ER 11 UN</b>	<b>16 EL 11 UN</b>	1.1	1.5	<b>16 IR 11 UN</b>	<b>16 IL 11 UN</b>	1.1	1.5
10	16	3/8	<b>16 ER 10 UN</b>	<b>16 EL 10 UN</b>	1.1	1.5	<b>16 IR 10 UN</b>	<b>16 IL 10 UN</b>	1.1	1.5
9	16	3/8	<b>16 ER 9 UN</b>	<b>16 EL 9 UN</b>	1.2	1.7	<b>16 IR 9 UN</b>	<b>16 IL 9 UN</b>	1.2	1.7
8	16	3/8	<b>16 ER 8 UN</b>	<b>16 EL 8 UN</b>	1.2	1.6	<b>16 IR 8 UN</b>	<b>16 IL 8 UN</b>	1.1	1.5
7	22	1/2	<b>22 ER 7 UN</b>	<b>22 EL 7 UN</b>	1.6	2.3	<b>22 IR 7 UN</b>	<b>22 IL 7 UN</b>	1.6	2.3
6	22	1/2	<b>22 ER 6 UN</b>	<b>22 EL 6 UN</b>	1.6	2.3	<b>22 IR 6 UN</b>	<b>22 IL 6 UN</b>	1.6	2.3
5	22	1/2	<b>22 ER 5 UN</b>	<b>22 EL 5 UN</b>	1.7	2.5	<b>22 IR 5 UN</b>	<b>22 IL 5 UN</b>	1.6	2.3
4.5	22U	1/2U	<b>22U ER/L 4.5 UN</b>		2.0	11.0	<b>22U IR/L 4.5 UN</b>		2.4	11.0
4	22U	1/2U	<b>22U ER/L 4 UN</b>		2.0	11.0	<b>22U IR/L 4 UN</b>		2.4	11.0
4.5	27	5/8	<b>27 ER 4.5 UN</b>	<b>27 EL 4.5 UN</b>	1.9	2.7	<b>27 IR 4.5 UN</b>	<b>27 IL 4.5 UN</b>	1.7	2.4
4	27	5/8	<b>27 ER 4 UN</b>	<b>27 EL 4 UN</b>	2.1	3.0	<b>27 IR 4 UN</b>	<b>27 IL 4 UN</b>	1.8	2.7
3	27U	5/8U	<b>27U ER/L 3 UN</b>		2.5	13.7	<b>27U IR/L 3 UN</b>		2.7	13.7
2	33U	3/4U	<b>33U ER/L 2 UN</b>		2.8	16.5	<b>27U IR/L 2 UN</b>		3.6	16.9

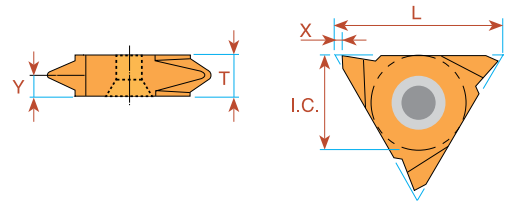
Order example: 22ER 7 UN BMA

For small bore threading see page 83



For Carbide Grade and Cutting Speed see page 60-61

## UN - Unified Vertical

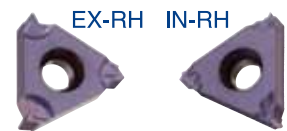


Pitch TPI	L	I.C. in	<b>EXTERNAL</b>		<b>INTERNAL</b>		X	Y	T
			Ordering Code Right Hand	Ordering Code Left Hand	Ordering Code Right Hand	Ordering Code Left Hand			
32	16	3/8	16V ER 32 UN	16V EL 32 UN			1.0	0.6	3.6
28	16	3/8	16V ER 28 UN	16V EL 28 UN			1.0	0.7	3.6
24	16	3/8	16V ER 24 UN	16V EL 24 UN			1.0	0.8	3.6
20	16	3/8	16V ER 20 UN	16V EL 20 UN			1.0	0.9	3.6
18	16	3/8	16V ER 18 UN	16V EL 18 UN			1.0	1.0	3.6
16	16	3/8	16V ER 16 UN	16V EL 16 UN			1.0	1.1	3.6
14	16	3/8	16V ER 14 UN	16V EL 14 UN			1.0	1.2	3.6
12	16	3/8	16V ER 12 UN	16V EL 12 UN			1.0	1.4	3.6
10	16	3/8	16V ER 10 UN	16V EL 10 UN			1.0	1.5	3.6
8	16	3/8	16V ER 8 UN	16V EL 8 UN			1.0	1.6	3.6
7	22	1/2	22V ER 7 UN	22V EL 7 UN			1.2	2.3	4.8
* 3	27	5/8	27V ER 3 UN	27V EL 3 UN	27V IR 3 UN	27 IL 3 UN	1.8	5.2	10.4

Order example: 22V ER 7UN MXC

\* Minimum bore: Ø65 mm

## UN - Unified Type B UNC, UNF, UNEF, UNS

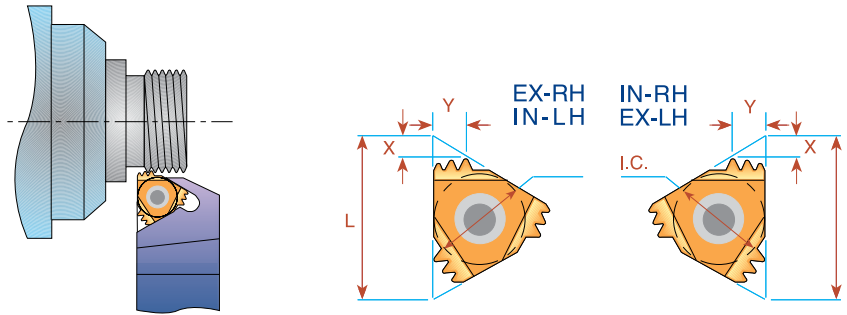


### Ground Profile with Sintered Chip-breaker

Pitch TPI	L	I.C. in	<b>EXTERNAL</b>		X	Y	<b>INTERNAL</b>		X	Y
			Ordering Code Right Hand				Ordering Code Right Hand			
32	11	1/4					11 IR B 32 UN	0.6	0.6	
28	11	1/4					11 IR B 28 UN	0.6	0.6	
24	11	1/4					11 IR B 24 UN	0.6	0.6	
20	11	1/4					11 IR B 20 UN	0.8	0.9	
18	11	1/4					11 IR B 18 UN	0.8	0.9	
16	11	1/4					11 IR B 16 UN	0.8	0.9	
14	11	1/4					11 IR B 14 UN	0.8	0.9	
12	11	1/4					11 IR B 12 UN	0.8	0.9	
24	16	3/8	16 ER B 24 UN		0.7	0.8	16 IR B 24 UN	0.7	0.8	
20	16	3/8	16 ER B 20 UN		0.8	0.9	16 IR B 20 UN	0.8	0.9	
18	16	3/8	16 ER B 18 UN		0.8	1.0	16 IR B 18 UN	0.8	1.0	
16	16	3/8	16 ER B 16 UN		0.9	1.1	16 IR B 16 UN	0.9	1.1	
14	16	3/8	16 ER B 14 UN		1.0	1.2	16 IR B 14 UN	0.9	1.2	
13	16	3/8	16 ER B 13 UN		1.0	1.3				
12	16	3/8	16 ER B 12 UN		1.1	1.4	16 IR B 12 UN	1.1	1.4	
11	16	3/8	16 ER B 11 UN		1.1	1.5				
10	16	3/8	16 ER B 10 UN		1.1	1.5	16 IR B 10 UN	1.1	1.5	
9	16	3/8	16 ER B 9 UN		1.2	1.7				
8	16	3/8	16 ER B 8 UN		1.2	1.6	16 IR B 8 UN	1.1	1.1	

Order example: 16 IR B 12 UN BMA

## Multitooth



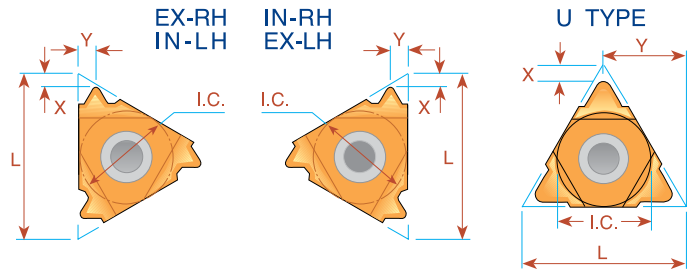
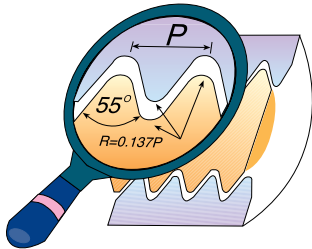
Pitch TPI	L	I.C. in	Number of Teeth	<b>EXTERNAL</b>		<b>INTERNAL</b>		X	Y
				Ordering Code	Anvil	Ordering Code	Anvil		
24	16	3/8	2	<b>16 ER 24 UN 2M</b>	AE16M	<b>16 IR 24 UN 2M</b>	AI16M	1.1	1.7
20	16	3/8	2	<b>16 ER 20 UN 2M</b>	AE16M	<b>16 IR 20 UN 2M</b>	AI16M	1.4	2.0
18	16	3/8	2	<b>16 ER 18 UN 2M</b>	AE16M	<b>16 IR 18 UN 2M</b>	AI16M	1.5	2.2
16	16	3/8	2	<b>16 ER 16 UN 2M</b>	AE16M	<b>16 IR 16 UN 2M</b>	AI16M	1.5	2.3
14	16	3/8	2	<b>16 ER 14 UN 2M</b>	AE16M	<b>16 IR 14 UN 2M</b>	AI16M	1.7	2.7
12	16	3/8	2	<b>16 ER 12 UN 2M</b>	AE16M	<b>16 IR 12 UN 2M</b>	AI16M	2.0	3.1
16	22	1/2	3	<b>22 ER 16 UN 3M</b>	AE22M	<b>22 IR 16 UN 3M</b>	AI22M	2.5	4.0
13	22	1/2	3	<b>22 ER 13 UN 3M</b>	AE22M	-		3.0	4.9
12	22	1/2	2	<b>22 ER 12 UN 2M</b>	AE22M	<b>22 IR 12 UN 2M</b>	AI22M	2.2	3.4
12	22	1/2	3	<b>22 ER 12 UN 3M</b>	AE22M	<b>22 IR 12 UN 3M</b>	AI22M	3.3	5.3
8	27	5/8	2	<b>27 ER 8 UN 2M</b>	AE27M	<b>27 IR 8 UN 2M</b>	AI27M	3.1	4.9

Order example: 22 IR 16 UN 3M BMA

For recommended number of passes see page 62

For Carbide Grade and Cutting Speed see page 60-61

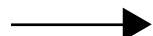
## Whitworth - 55° BSW, BSF, BSP, BSB



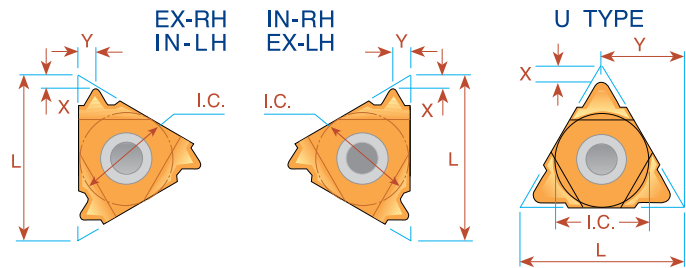
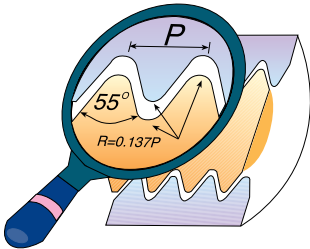
Pitch TPI	L	I.C. in	<b>EXTERNAL</b>		<b>INTERNAL</b>		X	Y
			Ordering Code Right Hand	Ordering Code Left Hand	Ordering Code Right Hand	Ordering Code Left Hand		
26	6	5/32	<i>ULTRA MINIATURE</i> →		*06 IR 26 W	*06 IL 26 W	0.7	0.6
22	6	5/32			*06 IR 22 W	*06 IL 22 W	0.6	0.6
20	6	5/32			*06 IR 20 W	*06 IL 20 W	0.6	0.7
18	6	5/32			*06 IR 18 W	*06 IL 18 W	0.6	0.7
28	8	3/16	<i>MINIATURE</i> →		*08 IR 28 W	*08 IL 28 W	0.6	0.6
24	8	3/16			*08 IR 24 W	*08 IL 24 W	0.6	0.6
20	8	3/16			*08 IR 20 W	*08 IL 20 W	0.6	0.7
19	8	3/16			*08 IR 19 W	*08 IL 19 W	0.6	0.7
18	8	3/16			*08 IR 18 W	*08 IL 18 W	0.6	0.7
16	8	3/16			*08 IR 16 W	*08 IL 16 W	0.6	0.7
14	8U	3/16U	<i>"U" MINIATURE</i> →		*08U IR/L 14 W		1.0	4.0
12	8U	3/16U			*08U IR/L 12 W		0.9	4.0
11	8U	3/16U			*08U IR/L 11 W		0.9	4.0
72	11	1/4	11 ER 72 W	11 EL 72 W	11 IR 72 W	11 IL 72 W	0.7	0.4
60	11	1/4	11 ER 60 W	11 EL 60 W	11 IR 60 W	11 IL 60 W	0.7	0.4
56	11	1/4	11 ER 56 W	11 EL 56 W	11 IR 56 W	11 IL 56 W	0.7	0.4
48	11	1/4	11 ER 48 W	11 EL 48 W	11 IR 48 W	11 IL 48 W	0.6	0.6
40	11	1/4	11 ER 40 W	11 EL 40 W	11 IR 40 W	11 IL 40 W	0.6	0.6
36	11	1/4	11 ER 36 W	11 EL 36 W	11 IR 36 W	11 IL 36 W	0.6	0.6
32	11	1/4	11 ER 32 W	11 EL 32 W	11 IR 32 W	11 IL 32 W	0.6	0.6
28	11	1/4	11 ER 28 W	11 EL 28 W	11 IR 28 W	11 IL 28 W	0.6	0.7
26	11	1/4	11 ER 26 W	11 EL 26 W	11 IR 26 W	11 IL 26 W	0.7	0.7
24	11	1/4	11 ER 24 W	11 EL 24 W	11 IR 24 W	11 IL 24 W	0.7	0.8
22	11	1/4	11 ER 22 W	11 EL 22 W	11 IR 22 W	11 IL 22 W	0.8	0.9
20	11	1/4	11 ER 20 W	11 EL 20 W	11 IR 20 W	11 IL 20 W	0.8	0.9
19	11	1/4	11 ER 19 W	11 EL 19 W	11 IR 19 W	11 IL 19 W	0.8	1.0
18	11	1/4	11 ER 18 W	11 EL 18 W	11 IR 18 W	11 IL 18 W	0.8	1.0
16	11	1/4	11 ER 16 W	11 EL 16 W	11 IR 16 W	11 IL 16 W	0.9	1.1
14	11	1/4	11 ER 14 W	11 EL 14 W	11 IR 14 W	11 IL 14 W	0.9	1.1
12	11	1/4			11 IR 12 W	11 IL 12 W	0.1	1.1
11	11	1/4			<sup>(1)</sup> 11 IR 11 W	<sup>(1)</sup> 11 IL 11 W	0.9	1.2
72	16	3/8	16 ER 72 W	16 EL 72 W	16 IR 72 W	16 IL 72 W	0.7	0.4
60	16	3/8	16 ER 60 W	16 EL 60 W	16 IR 60 W	16 IL 60 W	0.7	0.4
56	16	3/8	16 ER 56 W	16 EL 56 W	16 IR 56 W	16 IL 56 W	0.7	0.4
48	16	3/8	16 ER 48 W	16 EL 48 W	16 IR 48 W	16 IL 48 W	0.6	0.6
40	16	3/8	16 ER 40 W	16 EL 40 W	16 IR 40 W	16 IL 40 W	0.6	0.6
36	16	3/8	16 ER 36 W	16 EL 36 W	16 IR 36 W	16 IL 36 W	0.6	0.6
32	16	3/8	16 ER 32 W	16 EL 32 W	16 IR 32 W	16 IL 32 W	0.6	0.6
28	16	3/8	16 ER 28 W	16 EL 28 W	16 IR 28 W	16 IL 28 W	0.6	0.7
26	16	3/8	16 ER 26 W	16 EL 26 W	16 IR 26 W	16 IL 26 W	0.7	0.7
24	16	3/8	16 ER 24 W	16 EL 24 W	16 IR 24 W	16 IL 24 W	0.7	0.8

\* Available only in BXC and BMA grades

(1) Special holder is required or standard holder can be amended by customer.



## Whitworth - 55° BSW, BSF, BSP, BSB



Pitch TPI	L	I.C. in	<b>EXTERNAL</b>		<b>INTERNAL</b>		X	Y
			Right Hand	Left Hand	Right Hand	Left Hand		
22	16	3/8	<b>16 ER 22 W</b>	<b>16 EL 22 W</b>	<b>16 IR 22 W</b>	<b>16 IL 22 W</b>	0.8	0.9
20	16	3/8	<b>16 ER 20 W</b>	<b>16 EL 20 W</b>	<b>16 IR 20 W</b>	<b>16 IL 20 W</b>	0.8	0.9
19	16	3/8	<b>16 ER 19 W</b>	<b>16 EL 19 W</b>	<b>16 IR 19 W</b>	<b>16 IL 19 W</b>	0.8	1.0
18	16	3/8	<b>16 ER 18 W</b>	<b>16 EL 18 W</b>	<b>16 IR 18 W</b>	<b>16 IL 18 W</b>	0.8	1.0
16	16	3/8	<b>16 ER 16 W</b>	<b>16 EL 16 W</b>	<b>16 IR 16 W</b>	<b>16 IL 16 W</b>	0.9	1.1
14	16	3/8	<b>16 ER 14 W</b>	<b>16 EL 14 W</b>	<b>16 IR 14 W</b>	<b>16 IL 14 W</b>	1.0	1.2
12	16	3/8	<b>16 ER 12 W</b>	<b>16 EL 12 W</b>	<b>16 IR 12 W</b>	<b>16 IL 12 W</b>	1.1	1.4
11	16	3/8	<b>16 ER 11 W</b>	<b>16 EL 11 W</b>	<b>16 IR 11 W</b>	<b>16 IL 11 W</b>	1.1	1.5
10	16	3/8	<b>16 ER 10 W</b>	<b>16 EL 10 W</b>	<b>16 IR 10 W</b>	<b>16 IL 10 W</b>	1.1	1.5
9	16	3/8	<b>16 ER 9 W</b>	<b>16 EL 9 W</b>	<b>16 IR 9 W</b>	<b>16 IL 9 W</b>	1.2	1.7
8	16	3/8	<b>16 ER 8 W</b>	<b>16 EL 8 W</b>	<b>16 IR 8 W</b>	<b>16 IL 8 W</b>	1.2	1.5
7	22	1/2	<b>22 ER 7 W</b>	<b>22 EL 7 W</b>	<b>22 IR 7 W</b>	<b>22 IL 7 W</b>	1.6	2.3
6	22	1/2	<b>22 ER 6 W</b>	<b>22 EL 6 W</b>	<b>22 IR 6 W</b>	<b>22 IL 6 W</b>	1.6	2.3
5	22	1/2	<b>22 ER 5 W</b>	<b>22 EL 5 W</b>	<b>22 IR 5 W</b>	<b>22 IL 5 W</b>	1.7	2.4
4.5	22U	1/2U	<b>22U E/R/L 4.5 W</b>				2.3	11.0
4	22U	1/2U	<b>22U E/R/L 4 W</b>				2.8	11.0
4.5	27	5/8	<b>27 ER 4.5 W</b>	<b>27 EL 4.5 W</b>	<b>27 IR 4.5 W</b>	<b>27 IL 4.5 W</b>	1.8	2.6
4	27	5/8	<b>27 ER 4 W</b>	<b>27 EL 4 W</b>	<b>27 IR 4 W</b>	<b>27 IL 4 W</b>	2.0	2.9
3.5	27U	5/8U	<b>27U E/R/L 3.5 W</b>				2.1	13.7
3.25	27U	5/8U	<b>27U E/R/L 3.25 W</b>				2.0	13.7
3	27U	5/8U	<b>27U E/R/L 3 W</b>				2.3	13.7
2.75	27U	5/8U	<b>27U E/R/L 2.75 W</b>				2.4	13.7

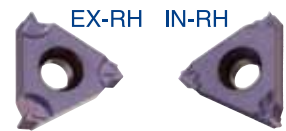
Order example: 16 IR 18 W BMA

For Carbide Grade and Cutting Speed see page 60-61

## Whitworth - 55° BSW, BSF, BSP, BSB

### Type B

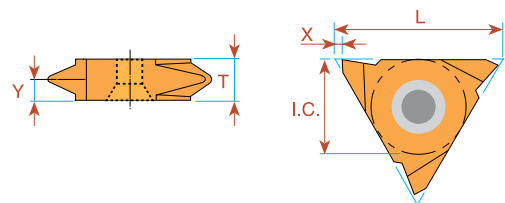
Ground Profile with Sintered Chip-breaker



Pitch TPI	L	I.C. in	<b>EXTERNAL</b>	<b>INTERNAL</b>	X	Y
			Ordering Code Right Hand	Ordering Code Right Hand		
28	11	1/4		<b>11 IR B 28 W</b>	0.6	0.6
24	11	1/4		<b>11 IR B 24 W</b>	0.6	0.6
20	11	1/4		<b>11 IR B 20 W</b>	0.8	0.9
19	11	1/4		<b>11 IR B 19 W</b>	0.8	0.9
18	11	1/4		<b>11 IR B 18 W</b>	0.8	0.9
16	11	1/4		<b>11 IR B 16 W</b>	0.8	0.9
14	11	1/4		<b>11 IR B 14 W</b>	0.8	0.9
19	16	3/8	<b>16 ER B 19 W</b>	<b>16 IR B 19 W</b>	0.8	1.0
16	16	3/8	<b>16 ER B 16 W</b>	<b>16 IR B 16 W</b>	0.9	1.1
14	16	3/8	<b>16 ER B 14 W</b>	<b>16 IR B 14 W</b>	1.0	1.2
11	16	3/8	<b>16 ER B 11 W</b>	<b>16 IR B 11 W</b>	1.1	1.5
10	16	3/8	<b>16 ER B 10 W</b>	<b>16 IR B 10 W</b>	1.1	1.5

Order example: 16 IR B 10 W BMA

### Vertical

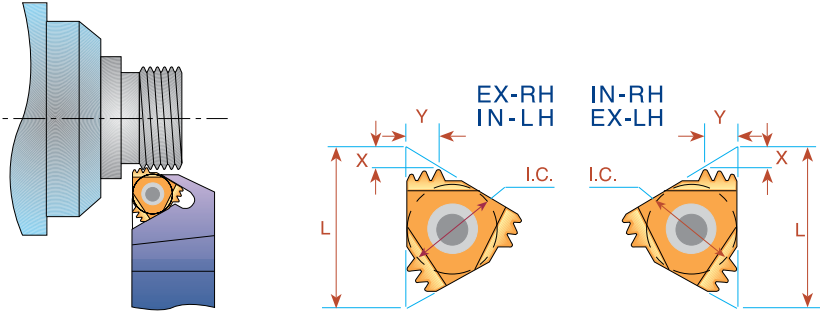


Pitch TPI	L	I.C. in	<b>EXTERNAL</b>	<b>EXTERNAL</b>	X	Y	T
			Ordering Code Right Hand	Ordering Code Left Hand			
20	16	3/8	<b>16V ER 20 W</b>	<b>16V EL 20 W</b>	1.0	0.9	3.6
19	16	3/8	<b>16V ER 19 W</b>	<b>16V EL 19 W</b>	1.0	0.9	3.6
18	16	3/8	<b>16V ER 18 W</b>	<b>16V EL 18 W</b>	1.0	1.0	3.6
16	16	3/8	<b>16V ER 16 W</b>	<b>16V EL 16 W</b>	1.0	1.0	3.6
14	16	3/8	<b>16V ER 14 W</b>	<b>16V EL 14 W</b>	1.0	1.2	3.6
12	16	3/8	<b>16V ER 12 W</b>	<b>16V EL 12 W</b>	1.0	1.4	3.6
11	16	3/8	<b>16V ER 11 W</b>	<b>16V EL 11 W</b>	1.0	1.5	3.6

Order example: 16V ER 14 W MXC



## Multitooth



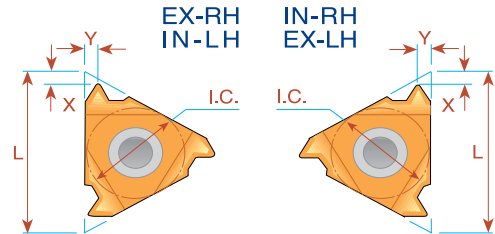
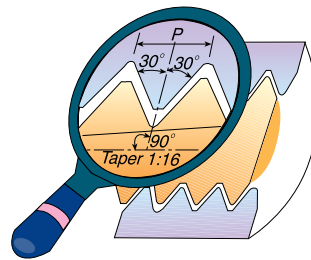
Pitch TPI	L	I.C. in	Number of Teeth	<b>EXTERNAL</b>		<b>INTERNAL</b>		X	Y
				Ordering Code	Anvil	Ordering Code	Anvil		
14	16	3/8	2	<b>16 ER 14 W 2M</b>	AE16M	<b>16 IR 14 W 2M</b>	AI16M	1.7	2.7
14	22	1/2	3	<b>22 ER 14 W 3M</b>	AE22M	<b>22 IR 14 W 3M</b>	AI22M	2.8	4.5
11	22	1/2	2	<b>22 ER 11 W 2M</b>	AE22M	<b>22 IR 11 W 2M</b>	AI22M	2.3	3.4

Order example: 16 ER 14 W 2M MXC

For recommended number of passes see page 62

For Carbide Grade and Cutting Speed see page 60-61

## NPT



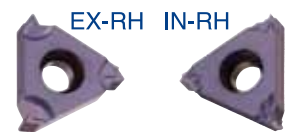
Pitch TPI	L	I.C. in	<b>EXTERNAL</b>		<b>INTERNAL</b>		X	Y
			Ordering Code Right Hand	Ordering Code Left Hand	Ordering Code Right Hand	Ordering Code Left Hand		
27	6	5/32	ULTRA MINIATURE →		*06 IR 27 NPT	*06 IL 27 NPT	0.6	0.6
27	8	3/16			*08 IR 27 NPT	*08 IL 27 NPT	0.6	0.6
18	8	3/16	MINIATURE →		*08 IR 18 NPT	*08 IL 18 NPT	0.6	0.6
27	11	1/4	11 ER 27 NPT	11 EL 27 NPT	11 IR 27 NPT	11 IL 27 NPT	0.7	0.8
18	11	1/4	11 ER 18 NPT	11 EL 18 NPT	11 IR 18 NPT	11 IL 18 NPT	0.8	1.0
14	11	1/4	11 ER 14 NPT	11 EL 14 NPT	11 IR 14 NPT	11 IL 14 NPT	0.8	1.0
27	16	3/8	16 ER 27 NPT	16 EL 27 NPT	16 IR 27 NPT	16 IL 27 NPT	0.7	0.8
18	16	3/8	16 ER 18 NPT	16 EL 18 NPT	16 IR 18 NPT	16 IL 18 NPT	0.8	1.0
14	16	3/8	16 ER 14 NPT	16 EL 14 NPT	16 IR 14 NPT	16 IL 14 NPT	0.9	1.2
11.5	16	3/8	16 ER 11.5 NPT	16 EL 11.5 NPT	16 IR 11.5 NPT	16 IL 11.5 NPT	1.1	1.5
8	16	3/8	16 ER 8 NPT	16 EL 8 NPT	16 IR 8 NPT	16 IL 8 NPT	1.3	1.8

Order example: 16 ER 14 NPT MXC

\* Available only in BXC and BMA grades

## Type B

### Ground Profile with Sintered Chip-breaker

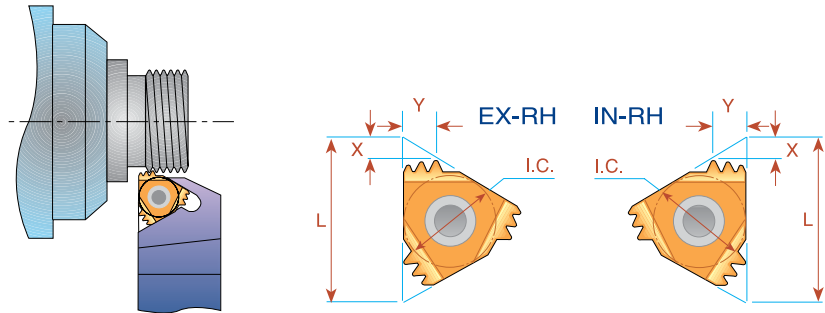


Pitch TPI	L	I.C. in	<b>EXTERNAL</b>		<b>INTERNAL</b>		X	Y
			Ordering Code Right Hand	Ordering Code Right Hand	Ordering Code Right Hand	Ordering Code Right Hand		
18	11	1/4			11 IR B 18 NPT		0.8	0.9
18	16	3/8	16 ER B 18 NPT		16 IR B 18 NPT		0.8	1.0
14	16	3/8	16 ER B 14 NPT		16 IR B 14 NPT		0.9	1.2
11.5	16	3/8	16 ER B 11.5 NPT		16 IR B 11.5 NPT		1.1	1.5
8	16	3/8	16 ER B 8 NPT		16 IR B 8 NPT		1.3	1.8

Order example: 16 IR B 11.5 NPT BMA

For Carbide Grade and Cutting Speed see page 60-61

## NPT Multitooth

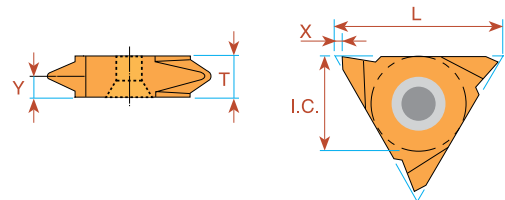


Pitch TPI	L	I.C. in	Number of Teeth	<b>EXTERNAL</b>		Anvil	<b>INTERNAL</b>		Anvil	X	Y
				Ordering Code			Ordering Code				
14	16	3/8	2	<b>16 ER 14 NPT 2M</b>		AE16M	<b>16 IR 14 NPT 2M</b>		AI16M	1.7	2.8
11.5	22	1/2	2	<b>22 ER 11.5 NPT 2M</b>		AE22M	<b>22 IR 11.5 NPT 2M</b>		AI22M	2.3	3.5
11.5	27	5/8	3	<b>27 ER 11.5 NPT 3M</b>		AE27M	<b>27 IR 11.5 NPT 3M</b>		AI27M	3.3	5.5
8	27	5/8	2	<b>27 ER 8 NPT 2M</b>		AE27M	<b>27 IR 8 NPT 2M</b>		AI27M	3.1	5.0

Order example: 22 ER 11.5 NPT 2M MXC

For recommended number of passes see page 62

## NPT Vertical

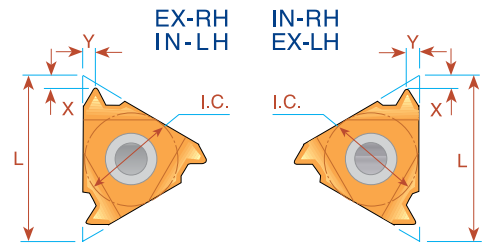
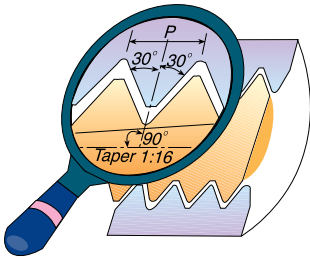


Pitch TPI	L	I.C. in	<b>EXTERNAL</b>		X	Y	T
			Ordering Code Right Hand	Ordering Code Left Hand			
27	16	3/8	<b>16V ER 27 NPT</b>	<b>16V EL 27 NPT</b>	1.0	0.8	3.6
18	16	3/8	<b>16V ER 18 NPT</b>	<b>16V EL 18 NPT</b>	1.0	1.0	3.6
14	16	3/8	<b>16V ER 14 NPT</b>	<b>16V EL 14 NPT</b>	1.0	1.2	3.6
11.5	16	3/8	<b>16V ER 11.5 NPT</b>	<b>16V EL 11.5 NPT</b>	1.0	1.5	3.6

Order example: 16V ER 14 NPT BMA

For Carbide Grade and Cutting Speed see page 60-61

## NPTF - Dryseal



Pitch TPI	L	I.C. in	<b>EXTERNAL</b>		<b>INTERNAL</b>		X	Y
			Ordering Code Right Hand	Ordering Code Left Hand	Ordering Code Right Hand	Ordering Code Left Hand		
27	6	5/32	<i>ULTRA MINIATURE</i> →		*06 IR 27 NPTF	*06 IL 27 NPTF	0.7	0.6
27	8	3/16			*08 IR 27 NPTF	*08 IL 27 NPTF	0.6	0.6
18	8	3/16	<i>MINIATURE</i> →		*08 IR 18 NPTF	*08 IL 18 NPTF	0.6	0.6
27	11	1/4	11 ER 27 NPTF	11 EL 27 NPTF	11 IR 27 NPTF	11 IL 27 NPTF	0.7	0.7
18	11	1/4	11 ER 18 NPTF	11 EL 18 NPTF	11 IR 18 NPTF	11 IL 18 NPTF	0.8	1.0
14	11	1/4	11 ER 14 NPTF	11 EL 14 NPTF	11 IR 14 NPTF	11 IL 14 NPTF	0.8	1.0
27	16	3/8	16 ER 27 NPTF	16 EL 27 NPTF	16 IR 27 NPTF	16 IL 27 NPTF	0.7	0.7
18	16	3/8	16 ER 18 NPTF	16 EL 18 NPTF	16 IR 18 NPTF	16 IL 18 NPTF	0.8	1.0
14	16	3/8	16 ER 14 NPTF	16 EL 14 NPTF	16 IR 14 NPTF	16 IL 14 NPTF	0.9	1.2
11.5	16	3/8	16 ER 11.5 NPTF	16 EL 11.5 NPTF	16 IR 11.5 NPTF	16 IL 11.5 NPTF	1.1	1.5
8	16	3/8	16 ER 8 NPTF	16 EL 8 NPTF	16 IR 8 NPTF	16 IL 8 NPTF	1.3	1.8

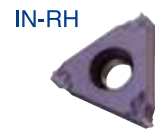
Order example: 11 ER 27 NPTF MXC

\* Available only in BXC and BMA grades

## Type B

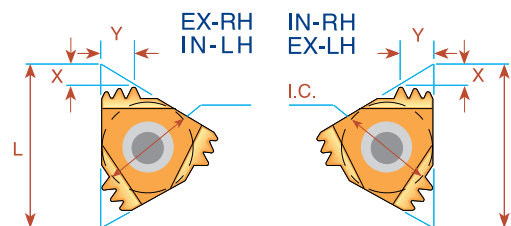
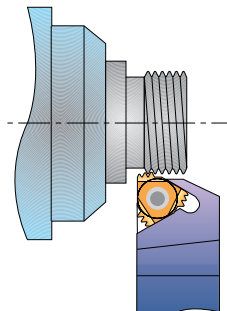
### Ground Profile with Sintered Chip-breaker

Pitch TPI	L	I.C. in	<b>INTERNAL</b> Ordering Code Right Hand	X	Y
18	11	1/4	11 IR B 18 NPTF	0.8	0.9



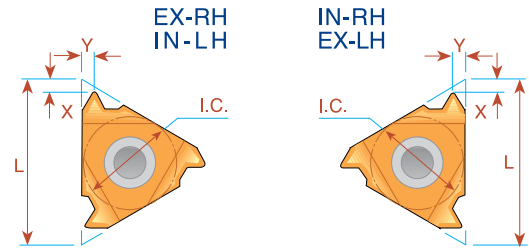
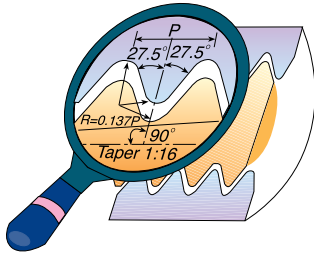
For Carbide Grade and Cutting Speed see page 60-61

## Multitooth



Pitch TPI	L	I.C. in	Number of Teeth	<b>EXTERNAL</b> Ordering Code	Anvil	<b>INTERNAL</b> Ordering Code	Anvil	X	Y
11.5	22	1/2	2	22 ER 11.5 NPTF 2M	AE22M	22 IR 11.5 NPTF 2M	AI22M	2.3	3.5

## BSPT



Pitch TPI	L	I.C. in	<b>EXTERNAL</b>		<b>INTERNAL</b>		X	Y
			Ordering Code Right Hand	Ordering Code Left Hand	Ordering Code Right Hand	Ordering Code Left Hand		
28	6	5/32	<i>ULTRA MINIATURE</i> →		*06 IR 28 BSPT	*06 IL 28 BSPT	0.7	0.6
28	8	3/16			*08 IR 28 BSPT	*08 IL 28 BSPT	0.6	0.6
19	8	3/16	<i>MINIATURE</i> →		*08 IR 19 BSPT	*08 IL 19 BSPT	0.6	0.6
28	11	1/4			11 IR 28 BSPT	11 IL 28 BSPT	0.6	0.6
19	11	1/4			11 IR 19 BSPT	11 IL 19 BSPT	0.8	0.9
14	11	1/4			11 IR 14 BSPT	11 IL 14 BSPT	0.9	1.0
11	11	1/4			<sup>(1)</sup> 11 IR 11 BSPT	<sup>(1)</sup> 11 IL 11 BSPT	0.9	1.2
28	16	3/8	16 ER 28 BSPT	16 EL 28 BSPT	16 IR 28 BSPT	16 IL 28 BSPT	0.6	0.6
19	16	3/8	16 ER 19 BSPT	16 EL 19 BSPT	16 IR 19 BSPT	16 IL 19 BSPT	0.8	0.9
14	16	3/8	16 ER 14 BSPT	16 EL 14 BSPT	16 IR 14 BSPT	16 IL 14 BSPT	1.0	1.2
11	16	3/8	16 ER 11 BSPT	16 EL 11 BSPT	16 IR 11 BSPT	16 IL 11 BSPT	1.1	1.5

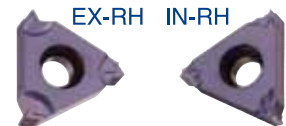
Order example: 11 IR 14 BSPT BMA

\* Available only in BXC and BMA grades

(1) Special holder is required or standard holder can be amended by customer.

## Type B

### Ground Profile with Sintered Chip-breaker

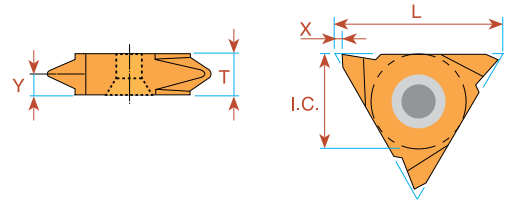


Pitch TPI	L	I.C. in	<b>EXTERNAL</b>		<b>INTERNAL</b>		X	Y
			Ordering Code Right Hand	Ordering Code Right Hand	Ordering Code Right Hand	Ordering Code Right Hand		
19	11	1/4			11 IR B 19 BSPT		0.8	0.9
19	16	3/8	16 ER B 19 BSPT				1.0	1.1
14	16	3/8	16 ER B 14 BSPT		16 IR B 14 BSPT		1.2	1.0
11	16	3/8	16 ER B 11 BSPT		16 IR B 11 BSPT		1.5	1.1

Order example: 16 ER B 11BSPT BMA

For Carbide Grade and Cutting Speed see page 60-61

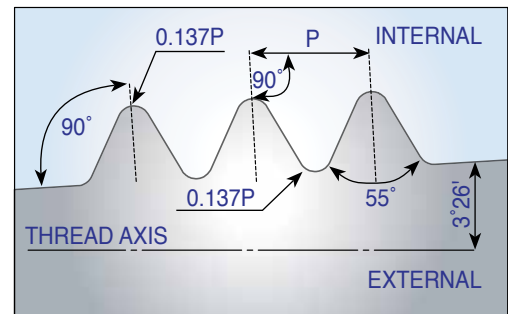
## BSPT Vertical



Pitch TPI	L	I.C. in	<b>EXTERNAL</b>	<b>EXTERNAL</b>	X	Y	T
			Ordering Code Right Hand	Ordering Code Left Hand			
28	16	3/8	<b>16V ER 28 BSPT</b>	<b>16V EL 28 BSPT</b>	1.0	0.6	3.6
19	16	3/8	<b>16V ER 19 BSPT</b>	<b>16V EL 19 BSPT</b>	1.0	0.9	3.6
14	16	3/8	<b>16V ER 14 BSPT</b>	<b>16V EL 14 BSPT</b>	1.0	1.2	3.6
11	16	3/8	<b>16V ER 11 BSPT</b>	<b>16V EL 11 BSPT</b>	1.0	1.5	3.6

Order example: 16V ER 19 BSPT BMA

## DIN 477



Pitch TPI	L	I.C. in	Taper Ratio	<b>EXTERNAL</b>	<b>INTERNAL</b>	X	Y	Thread Designation
				Ordering Code Right Hand	Ordering Code Right Hand			
14	16	3/8	3/25	<b>16 ER 14 DIN477</b>		1.0	1.2	W19.8x1/14 keg(Ext.)
14	11	1/4	3/25		<b>*11 IR 14 DIN477</b>	0.9	1.0	W19.8x1/14 keg(Int.)
14	16	3/8	3/25	<b>16 ER 14 DIN477</b>	<b>**16 IR 14 DIN477</b>	1.0	1.2	W28.8x1/14 keg
14	16	3/8	3/25	<b>16 ER 14 DIN477</b>	<b>***16 IR 14 DIN477</b>	1.0	1.2	W31.3x1/14 keg

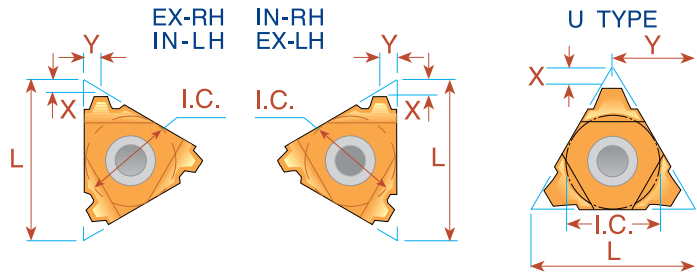
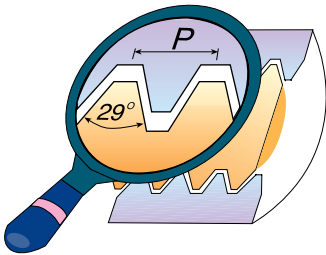
\* Holder to use: SIR0010H11/SIR0010K11

\*\* Holder to use: SIR0016P16

\*\*\* Holder to use: SIR0020P16

For Carbide Grade and Cutting Speed see page 60-61

## Acme



Pitch TPI	L	I.C. in	<b>EXTERNAL</b>		<b>INTERNAL</b>		X	Y
			Right Hand	Left Hand	Right Hand	Left Hand		
16	8	3/16	<i>MINIATURE</i> →		<b>**08 IR 16 ACME</b>	<b>**08 IL 16 ACME</b>	0.6	0.6
14	8U	3/16U	<i>"U" MINIATURE</i> →		<b>*08U IR/L 14 ACME</b>		0.8	4.0
12	8U	3/16U			<b>*08U IR/L 12 ACME</b>		0.8	4.0
10	8U	3/16U			<b>*08U IR/L 10 ACME</b>		0.8	4.0
16	11	1/4	<b>11 ER 16 ACME</b>	<b>11 EL 16 ACME</b>	<b>11 IR 16 ACME</b>	<b>11 IL 16 ACME</b>	0.9	1.0
16	16	3/8	<b>16 ER 16 ACME</b>	<b>16 EL 16 ACME</b>	<b>16 IR 16 ACME</b>	<b>16 IL 16 ACME</b>	0.9	1.0
14	16	3/8	<b>16 ER 14 ACME</b>	<b>16 EL 14 ACME</b>	<b>16 IR 14 ACME</b>	<b>16 IL 14 ACME</b>	1.0	1.2
12	16	3/8	<b>16 ER 12 ACME</b>	<b>16 EL 12 ACME</b>	<b>16 IR 12 ACME</b>	<b>16 IL 12 ACME</b>	1.1	1.2
10	16	3/8	<b>16 ER 10 ACME</b>	<b>16 EL 10 ACME</b>	<b>16 IR 10 ACME</b>	<b>16 IL 10 ACME</b>	1.3	1.3
8	16	3/8	<b>16 ER 8 ACME</b>	<b>16 EL 8 ACME</b>	<b>16 IR 8 ACME</b>	<b>16 IL 8 ACME</b>	1.5	1.5
6	16	3/8	<sup>(1)</sup> <b>16 ER 6 ACME</b>	<sup>(1)</sup> <b>16 EL 6 ACME</b>	<sup>(1)</sup> <b>16 IR 6 ACME</b>	<sup>(1)</sup> <b>16 IL 6 ACME</b>	1.7	1.8
6	22	1/2	<b>22 ER 6 ACME</b>	<b>22 EL 6 ACME</b>	<b>22 IR 6 ACME</b>	<b>22 IL 6 ACME</b>	1.8	2.1
5	22	1/2	<b>22 ER 5 ACME</b>	<b>22 EL 5 ACME</b>	<b>22 IR 5 ACME</b>	<b>22 IL 5 ACME</b>	2.0	2.3
4	22	1/2	<sup>(1)</sup> <b>22 ER 4 ACME</b>	<sup>(1)</sup> <b>22 EL 4 ACME</b>	<sup>(1)</sup> <b>22 IR 4 ACME</b>	<sup>(1)</sup> <b>22 IL 4 ACME</b>	2.1	2.2
4	22U	1/2U	<b>22U ER/L 4 ACME</b>		<b>22U IR/L 4 ACME</b>		2.3	11.0
4	27	5/8	<b>27 ER 4 ACME</b>	<b>27 EL 4 ACME</b>	<b>27 IR 4 ACME</b>	<b>27 IL 4 ACME</b>	2.3	2.7
3	27U	5/8U	<b>27U ER/L 3 ACME</b>		<b>27U IR/L 3 ACME</b>		2.8	13.7
2	33U	3/4U	<b>33U ER/L 2 ACME</b>		<b>33U IR/L 2 ACME</b>		4.3	16.9

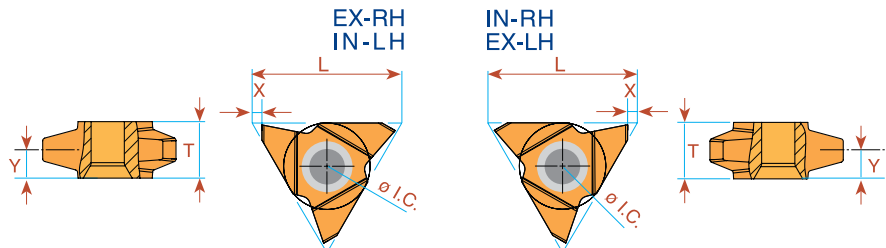
Order example: 16 ER 16 ACME MXC

\* Available only in BXC and BMA grades

\*\* One cutting edge

(1) Special holder is required or standard holder can be amended by customer.

## Acme Vertical



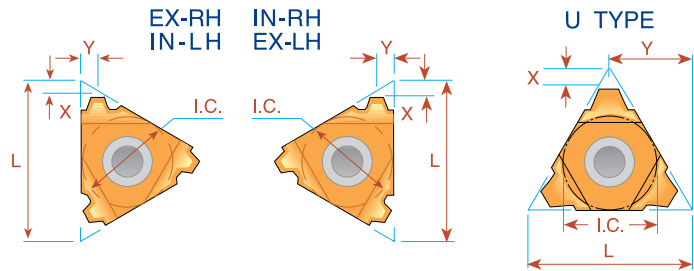
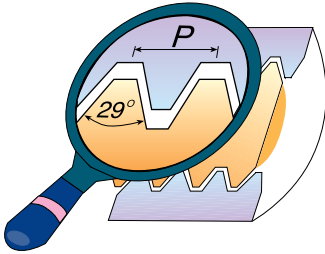
Pitch TPI	L	I.C. in	<b>EXTERNAL</b>		X	Y	T	<b>INTERNAL</b>		X	Y	T
			Right Hand	Left Hand				Right Hand	Left Hand			
* 3.5	27	5/8	<b>27V ER 3.5 ACME</b>	_____	1.8	5.0	10.4	<b>27V IR 3.5 ACME</b>	_____	1.8	4.0	10.4
* 3	27	5/8	<b>27V ER 3 ACME</b>	_____	1.8	5.0	10.4	<b>27V IR 3 ACME</b>	_____	1.8	4.6	10.4
** 2	27	5/8	<b>27V ER 2 ACME</b>	<b>27V EL 2 ACME</b>	1.8	5.0	10.4	<b>27V IR 2 ACME</b>	<b>27V IL 2 ACME</b>	1.8	5.0	10.4

Order example: 27V ER 2 ACME BMA

\* Minimum bore: Ø55 mm \*\* Minimum bore: Ø76 mm

For Carbide Grade and Cutting Speed see page 60-61

## Stub Acme



Pitch TPI	L	I.C. in	<b>EXTERNAL</b>		<b>INTERNAL</b>		X	Y
			Ordering Code Right Hand	Ordering Code Left Hand	Ordering Code Right Hand	Ordering Code Left Hand		
16	8	3/16	<i>MINIATURE</i> →		<b>**08 IR 16 STACME</b>	<b>**08 IL 16 STACME</b>	0.6	0.6
14	8U	3/16U	<i>"U" MINIATURE</i> →		<b>*08U IR/L 14 STACME</b>		0.8	4.0
12	8U	3/16U			<b>*08U IR/L 12 STACME</b>		0.9	4.0
10	8U	3/16U			<b>*08U IR/L 10 STACME</b>		1.0	4.0
16	11	1/4	<b>11 ER 16 STACME</b>	<b>11 EL 16 STACME</b>			1.0	1.0
16	16	3/8	<b>16 ER 16 STACME</b>	<b>16 EL 16 STACME</b>	<b>16 IR 16 STACME</b>	<b>16 IL 16 STACME</b>	1.0	1.0
14	16	3/8	<b>16 ER 14 STACME</b>	<b>16 EL 14 STACME</b>	<b>16 IR 14 STACME</b>	<b>16 IL 14 STACME</b>	1.1	1.1
12	16	3/8	<b>16 ER 12 STACME</b>	<b>16 EL 12 STACME</b>	<b>16 IR 12 STACME</b>	<b>16 IL 12 STACME</b>	1.2	1.2
10	16	3/8	<b>16 ER 10 STACME</b>	<b>16 EL 10 STACME</b>	<b>16 IR 10 STACME</b>	<b>16 IL 10 STACME</b>	1.3	1.3
8	16	3/8	<b>16 ER 8 STACME</b>	<b>16 EL 8 STACME</b>	<b>16 IR 8 STACME</b>	<b>16 IL 8 STACME</b>	1.5	1.5
6	16	3/8	<b>16 ER 6 STACME</b>	<b>16 EL 6 STACME</b>	<b>16 IR 6 STACME</b>	<b>16 IL 6 STACME</b>	1.8	1.8
5	22	1/2	<b>22 ER 5 STACME</b>	<b>22 EL 5 STACME</b>	<b>22 IR 5 STACME</b>	<b>22 IL 5 STACME</b>	2.0	2.3
4	22	1/2	<b>22 ER 4 STACME</b>	<b>22 EL 4 STACME</b>	<b>22 IR 4 STACME</b>	<b>22 IL 4 STACME</b>	2.3	2.4
4	22U	1/2U	<b>22U ER/L 4 STACME</b>		<b>22U IR/L 4 STACME</b>		2.5	11.0
3	22U	1/2U	<b>22U ER/L 3 STACME</b>		<b>22U IR/L 3 STACME</b>		3.3	11.0
4	27	5/8	<b>27 ER 4 STACME</b>	<b>27 EL 4 STACME</b>	<b>27 IR 4 STACME</b>	<b>27 IL 4 STACME</b>	2.3	2.4
3	27	5/8	<b>27 ER 3 STACME</b>	<b>27 EL 3 STACME</b>	<b>27 IR 3 STACME</b>	<b>27 IL 3 STACME</b>	2.8	2.9
2	33U	3/4U	<b>33U ER/L 2 STACME</b>		<b>33U IR/L 2 STACME</b>		5.0	16.9

Order example: 22 IR 5 STACME MXC

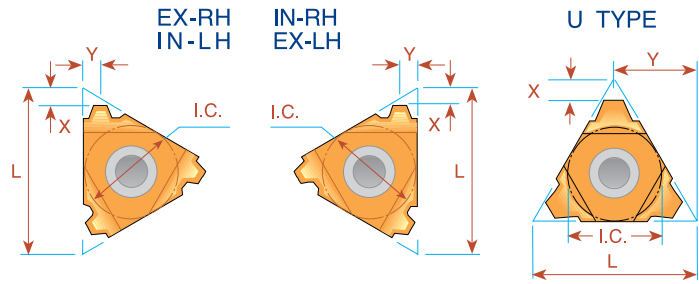
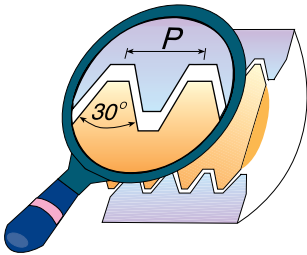
\* Available only in BXC and BMA grades

\*\* One cutting edge

For Carbide Grade and Cutting Speed see page 60-61



## Trapez - DIN 103



Pitch mm	L	I.C. in	EXTERNAL Ordering Code		INTERNAL Ordering Code		X	Y
			Right Hand	Left Hand	Right Hand	Left Hand		
1.5	8	3/16	MINIATURE →		**08 IR 1.5 TR	**08 IL 1.5 TR	0.6	0.6
2.0	8U	3/16U	"U" MINIATURE →		*08U IR/L 2 TR		0.9	4.0
1.5	16	3/8	16 ER 1.5 TR	16 EL 1.5 TR	16 IR 2 TR	16 IL 2 TR	1.0	1.1
2.0	16	3/8	16 ER 2 TR	16 EL 2 TR			1.0	1.3
3.0	16	3/8	16 ER 3 TR	16 EL 3 TR	16 IR 3 TR	16 IL 3 TR	1.3	1.5
4.0	16	3/8	(1) 16 ER 4 TR	(1) 16 EL 4 TR	(2) 16 IR 4 TR	(2) 16 IL 4 TR	1.3	1.5
5.0	16	3/8U			***16U IR/L 5 TR		2.3	8.2
4.0	22	1/2	22 ER 4 TR	22 EL 4 TR	22 IR 4 TR	22 IL 4 TR	1.8	1.9
5.0	22	1/2	22 ER 5 TR	22 EL 5 TR	22 IR 5 TR	22 IL 5 TR	2.0	2.4
6.0	22	1/2	(1) 22 ER 6 TR	(1) 22 EL 6 TR	(1) 22 IR 6 TR	(1) 22 IL 6 TR	2.0	2.4
6.0	22U	1/2U	22U ER/L 6 TR		22U IR/L 6 TR		2.0	11.0
7.0	22U	1/2U	22U ER/L 7 TR		22U IR/L 7 TR		2.3	11.0
(3) 7.0	22U	1/2U			(3) 22U IR/L 7 TR40		2.6	11.0
8.0	22U	1/2U	22U ER/L 8 TR		22U IR/L 8 TR		2.5	11.0
6.0	27	5/8	27 ER 6 TR	27 EL 6 TR	27 IR 6 TR	27 IL 6 TR	2.3	2.7
7.0	27	5/8	27 ER 7 TR	27 EL 7 TR	27 IR 7 TR	27 IL 7 TR	2.2	2.6
8.0	27U	5/8U	27U ER/L 8 TR		27U IR/L 8 TR		2.5	13.7
9.0	27U	5/8U	27U ER/L 9 TR		27U IR/L 9 TR		3.0	13.7
10.0	27U	5/8U	**27U ER/L 10 TR		**27U IR/L 10 TR		3.2	13.7
12.0	33U	3/4U	33U ER/L 12 TR		33U IR/L 12 TR		3.9	16.9

Order example: 22 IR 5 TR MXC

\* Available only in BXC and BMA grades

\*\* One cutting edge

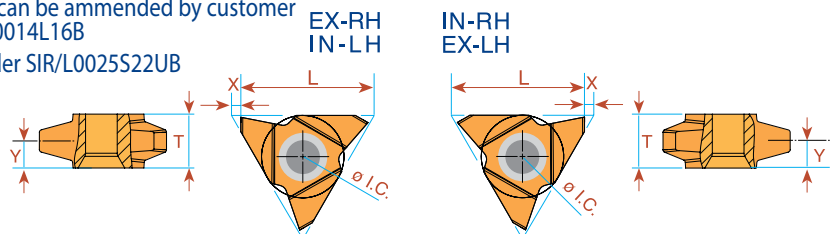
\*\*\* To be used only with holder SIR/L0014M16UB on page 47

(1) Special holder is required or standard holder can be amended by customer.

(2) Special holder is required or standard holder can be amended by customer or to used with holders: SIR/L0012L16B; SIR/L0014L16B

(3) Only for Tr 40 x 7.0. To be used only with holder SIR/L0025S22UB

## Trapez - DIN 103 Vertical



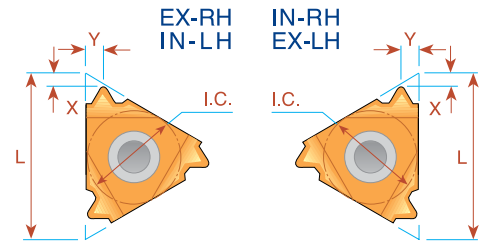
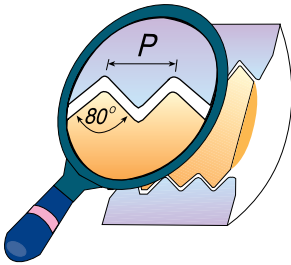
Pitch mm	L	I.C. in	EXTERNAL Ordering Code		INTERNAL Ordering Code		X	Y	T
			Right Hand	Left Hand	Right Hand	Left Hand			
* 9	27	5/8	27V ER 9 TR	27V EL 9 TR	27V IR 9 TR	27V IL 9 TR	1.8	5.2	10.4
* 10	27	5/8	27V ER 10 TR	27V EL 10 TR	27V IR 10 TR	27V IL 10 TR	1.8	5.2	10.4
** 12	27	5/8	27V ER 12 TR	27V EL 12 TR	27V IR 12 TR	27V IL 12 TR	1.8	5.2	10.4

Order example: 27V ER 10 TR BMA

\* Minimum bore: Ø65 mm \*\* Minimum bore: Ø73 mm

For Carbide Grade and Cutting Speed see page 60-61

## PG - DIN 40430

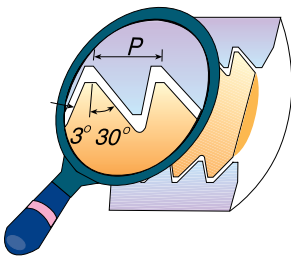


Pitch TPI	L	I.C. in	EXTERNAL		INTERNAL		X	Y
			Right Hand	Standard	Right Hand	Standard		
20	8	3/16	<i>MINIATURE</i> →		*08 IR 20 PG	(PG 7)	0.6	0.7
18	11	1/4			11 IR 18 PG	(PG 9)	0.8	0.9
20	16	3/8	16 ER 20 PG	(PG 7)	16 IR 18 PG	(PG 11, 13.5, 16)	0.7	0.8
18	16	3/8	16 ER 18 PG	(PG 9, 11, 13.5, 16)	16 IR 18 PG	(PG 11, 13.5, 16)	0.8	0.9
16	16	3/8	16 ER 16 PG	(PG 21, 29, 36, 42, 48)	16 IR 16 PG	(PG 21, 29, 36, 42, 48)	0.8	1.0

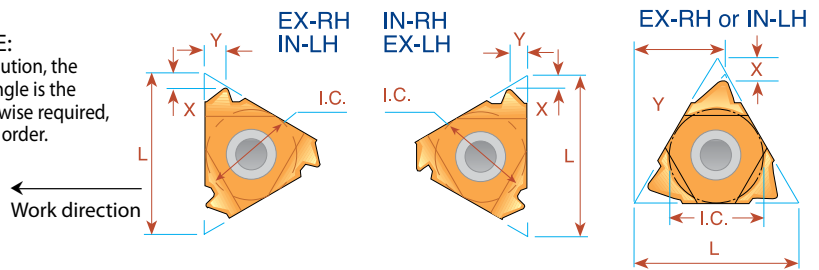
Order example: 16 ER 16 PG BMA

\* Available only in BXC and BMA grades

## Sagengewinde- DIN 513



**IMPORTANT NOTE:**  
In C.P.T. standard execution, the flank with the large angle is the leading edge. If otherwise required, please specify in your order.



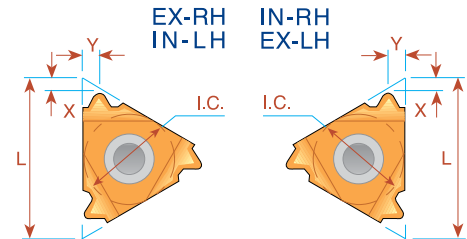
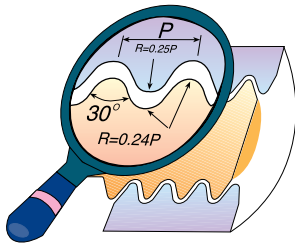
Pitch TPI	L	I.C. in	EXTERNAL		X	Y	INTERNAL		X	Y
			Right Hand	Left Hand			Right Hand	Left Hand		
2.0	16	3/8	16 ER 2 SAGE	16 EL 2 SAGE	1.1	1.6	16 IR 2 SAGE	16 IL 2 SAGE	1.2	1.7
3.0	22	1/2	22 ER 3 SAGE	22 EL 3 SAGE	1.5	2.4	22 IR 3 SAGE	22 IL 3 SAGE	1.9	2.9
4.0	22	1/2	22 ER 4 SAGE	22 EL 4 SAGE	1.9	3.1	22 IR 4 SAGE	22 IL 4 SAGE	2.3	3.5
*5.0	22U	1/2U	22U ER 5 SAGE	22U EL 5 SAGE	1.2	11.6	22U IR 5 SAGE	22U IL 5 SAGE	1.9	11.7
*6.0	22U	1/2U	22U ER 6 SAGE	22U EL 6 SAGE	1.2	11.7	22U IR 6 SAGE	22U IL 6 SAGE	2.1	11.9

Order example: 22 IR 4 SAGE BMA

\* Requires a special anvil AER 22U-1.5 SAGE 5/6, AEL 22U-1.5 SAGE 5/6, AIR 22U-1.5 SAGE 5/6, AIL 22U-1.5 SAGE 5/6.

For Carbide Grade and Cutting Speed see page 60-61

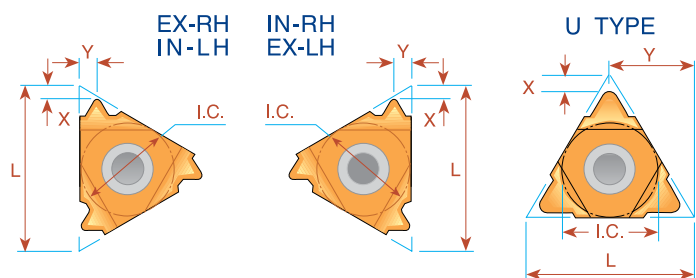
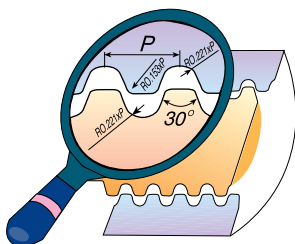
## Round - DIN 405



Pitch TPI	L	I.C. in	<b>EXTERNAL</b>		X	Y	<b>INTERNAL</b>		X	Y
			Ordering Code Right Hand	Ordering Code Left Hand			Ordering Code Right Hand	Ordering Code Left Hand		
10	16	3/8	16 ER 10 RD	16 EL 10 RD	1.1	1.2	16 IR 10 RD	16 IL 10 RD	1.1	1.2
8	16	3/8	16 ER 8 RD	16 EL 8 RD	1.4	1.3	16 IR 8 RD	16 IL 8 RD	1.4	1.4
6	16	3/8	16 ER 6 RD	16 EL 6 RD	1.5	1.7	16 IR 6 RD	16 IL 6 RD	1.4	1.5
6	22	1/2	22 ER 6 RD	22 EL 6 RD	1.5	1.7	22 IR 6 RD	22 IL 6 RD	1.5	1.7
4	22	1/2	22 ER 4 RD	22 EL 4 RD	2.2	2.3	22 IR 4 RD	22 IL 4 RD	2.2	2.3
4	27	5/8	27 ER 4 RD	27 EL 4 RD	2.2	2.3	27 IR 4 RD	27 IL 4 RD	2.2	2.3

Order example: 27 IL 4 RD BMA

## Round - DIN 20400



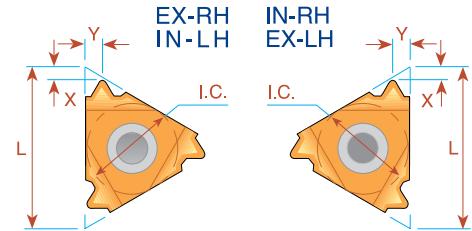
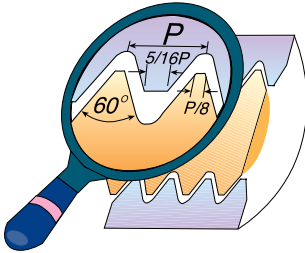
Pitch mm	L	I.C. in	<b>EXTERNAL</b>	<b>INTERNAL</b>	X	Y
			Ordering Code Right Hand	Ordering Code Right Hand		
4.0	22	1/2	22 ER 4.0 RD 20400	22 IR 4.0 RD 20400	1.4	1.4
5.0	22	1/2	22 ER 5.0 RD 20400	22 IR 5.0 RD 20400	1.7	1.8
6.0	22	1/2	22 ER 6.0 RD 20400	22 IR 6.0 RD 20400	1.7	2.0
8.0	27U	5/8U	*27U - 8.0 RD 20400		3.0	13.7
10.0	27U	5/8U	*27U - 10.0 RD 20400		3.4	13.7

Order example: 22 ER 4.0 RD 20400 MXC

\* Same insert for Internal and External Right Hand Thread

For Carbide Grade and Cutting Speed see page 60-61

## UNJ UNJC, UNJF, UNJEF, UNJS



Pitch TPI	L	I.C. in	<b>EXTERNAL</b>		<b>INTERNAL</b>		X	Y
			Ordering Code		Ordering Code			
			Right Hand	Left Hand	Right Hand	Left Hand		
48	11	1/4	11 ER 48 UNJ	11 EL 48 UNJ	11 IR 48 UNJ	11 IL 48 UNJ	0.6	0.6
44	11	1/4	11 ER 44 UNJ	11 EL 44 UNJ	11 IR 44 UNJ	11 IL 44 UNJ	0.6	0.6
40	11	1/4	11 ER 40 UNJ	11 EL 40 UNJ	11 IR 40 UNJ	11 IL 40 UNJ	0.6	0.6
36	11	1/4	11 ER 36 UNJ	11 EL 36 UNJ	11 IR 36 UNJ	11 IL 36 UNJ	0.6	0.6
32	11	1/4	11 ER 32 UNJ	11 EL 32 UNJ	11 IR 32 UNJ	11 IL 32 UNJ	0.6	0.6
28	11	1/4	11 ER 28 UNJ	11 EL 28 UNJ	11 IR 28 UNJ	11 IL 28 UNJ	0.6	0.6
24	11	1/4	11 ER 24 UNJ	11 EL 24 UNJ	11 IR 24 UNJ	11 IL 24 UNJ	0.7	0.8
20	11	1/4	11 ER 20 UNJ	11 EL 20 UNJ	11 IR 20 UNJ	11 IL 20 UNJ	0.8	0.9
18	11	1/4	11 ER 18 UNJ	11 EL 18 UNJ	11 IR 18 UNJ	11 IL 18 UNJ	0.8	1.0
16	11	1/4	11 ER 16 UNJ	11 EL 16 UNJ	11 IR 16 UNJ	11 IL 16 UNJ	0.8	1.0
14	11	1/4	11 ER 14 UNJ	11 EL 14 UNJ	11 IR 14 UNJ	11 IL 14 UNJ	0.9	1.0
48	16	3/8	16 ER 48 UNJ	16 EL 48 UNJ	16 IR 48 UNJ	16 IL 48 UNJ	0.6	0.6
44	16	3/8	16 ER 44 UNJ	16 EL 44 UNJ	16 IR 44 UNJ	16 IL 44 UNJ	0.6	0.6
40	16	3/8	16 ER 40 UNJ	16 EL 40 UNJ	16 IR 40 UNJ	16 IL 40 UNJ	0.6	0.6
36	16	3/8	16 ER 36 UNJ	16 EL 36 UNJ	16 IR 36 UNJ	16 IL 36 UNJ	0.6	0.6
32	16	3/8	16 ER 32 UNJ	16 EL 32 UNJ	16 IR 32 UNJ	16 IL 32 UNJ	0.6	0.6
28	16	3/8	16 ER 28 UNJ	16 EL 28 UNJ	16 IR 28 UNJ	16 IL 28 UNJ	0.6	0.6
24	16	3/8	16 ER 24 UNJ	16 EL 24 UNJ	16 IR 24 UNJ	16 IL 24 UNJ	0.7	0.8
20	16	3/8	16 ER 20 UNJ	16 EL 20 UNJ	16 IR 20 UNJ	16 IL 20 UNJ	0.8	0.9
18	16	3/8	16 ER 18 UNJ	16 EL 18 UNJ	16 IR 18 UNJ	16 IL 18 UNJ	0.8	1.0
16	16	3/8	16 ER 16 UNJ	16 EL 16 UNJ	16 IR 16 UNJ	16 IL 16 UNJ	0.8	1.0
14	16	3/8	16 ER 14 UNJ	16 EL 14 UNJ	16 IR 14 UNJ	16 IL 14 UNJ	1.0	1.2
13	16	3/8	16 ER 13 UNJ	16 EL 13 UNJ	16 IR 13 UNJ	16 IL 13 UNJ	1.0	1.3
12	16	3/8	16 ER 12 UNJ	16 EL 12 UNJ	16 IR 12 UNJ	16 IL 12 UNJ	1.1	1.4
11	16	3/8	16 ER 11 UNJ	16 EL 11 UNJ	16 IR 11 UNJ	16 IL 11 UNJ	1.1	1.5
10	16	3/8	16 ER 10 UNJ	16 EL 10 UNJ	16 IR 10 UNJ	16 IL 10 UNJ	1.1	1.5
9	16	3/8	16 ER 9 UNJ	16 EL 9 UNJ	16 IR 9 UNJ	16 IL 9 UNJ	1.2	1.6
8	16	3/8	16 ER 8 UNJ	16 EL 8 UNJ	16 IR 8 UNJ	16 IL 8 UNJ	1.2	1.6

Order example: 16 IR 16 UNJ MXC

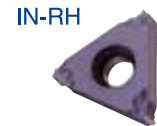
For Carbide Grade and Cutting Speed see page 60-61

## UNJ UNJC, UNJF, UNJEF, UNJS

### Type B

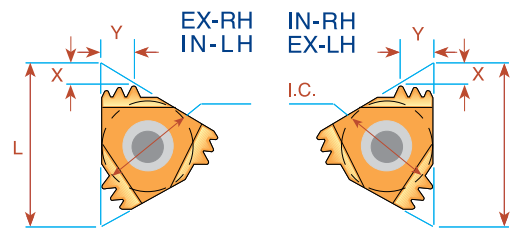
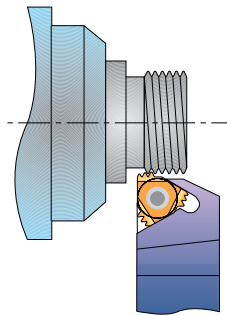
#### Ground Profile with Sintered Chip-breaker

Pitch TPI	L	I.C. in	<b>INTERNAL</b> Ordering Code Right Hand	X	Y
32	11	1/4	<b>11 IR B 32 UNJ</b>	0.6	0.6
28	11	1/4	<b>11 IR B 28 UNJ</b>	0.6	0.6
24	11	1/4	<b>11 IR B 24 UNJ</b>	0.6	0.6
20	11	1/4	<b>11 IR B 20 UNJ</b>	0.8	0.9
18	11	1/4	<b>11 IR B 18 UNJ</b>	0.8	0.9
16	11	1/4	<b>11 IR B 16 UNJ</b>	0.8	0.9
14	11	1/4	<b>11 IR B 14 UNJ</b>	0.8	0.9



Order example: 11 IR B 20 UNJ BMA

### Multitooth

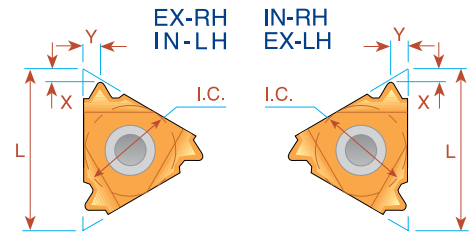
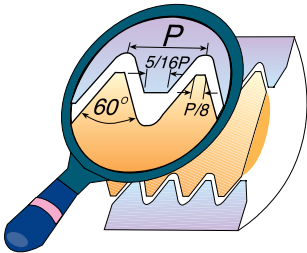


Pitch TPI	L	I.C. in	Number of Teeth	<b>EXTERNAL</b> Ordering Code	Anvil	<b>INTERNAL</b> Ordering Code	Anvil	X	Y
16	16	3/8	2	<b>16 ER 16 UNJ 2M</b>	AE16M	-	-	1.6	2.4
16	22	1/2	3	<b>22 ER 16 UNJ 2M</b>	AE22M	-	-	2.3	3.8

Order example: 22 ER 16 UNJ 2M BMA

For Carbide Grade and Cutting Speed see page 60-61

## MJ - ISO 5855



Pitch mm	L	I.C. in	<b>EXTERNAL</b>	<b>INTERNAL</b>	X	Y
			Ordering Code Right Hand	Ordering Code Right Hand		
1.0	11	1/4		<b>11 IR 1.0 MJ</b>	0.7	0.8
1.25	11	1/4		<b>11 IR 1.25 MJ</b>	0.8	0.9
1.5	11	1/4		<b>11 IR 1.5 MJ</b>	0.8	1.0
2.0	11	1/4		<b>11 IR 2.0 MJ</b>	0.9	1.0
1.0	16	3/8	<b>16 ER 1.0 MJ</b>	<b>16 IR 1.0 MJ</b>	0.7	0.8
1.25	16	3/8	<b>16 ER 1.25 MJ</b>	<b>16 IR 1.25 MJ</b>	0.8	0.9
1.5	16	3/8	<b>16 ER 1.5 MJ</b>	<b>16 IR 1.5 MJ</b>	0.8	1.0
2.0	16	3/8	<b>16 ER 2.0 MJ</b>	<b>16 IR 2.0 MJ</b>	1.0	1.3

Order example: 16 ER 1.5 MJ BMA

## Type B

### Ground Profile with Sintered Chip-breaker

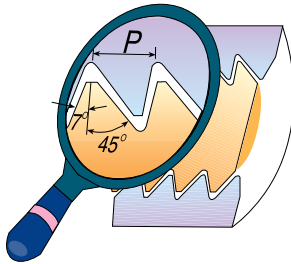
Pitch mm	L	I.C. in	<b>INTERNAL</b>	X	Y
			Ordering Code Right Hand		
1.0	11	1/4	<b>11 IR B 1.0 MJ</b>	0.6	0.6
1.5			<b>11 IR B 1.5 MJ</b>	0.8	0.9



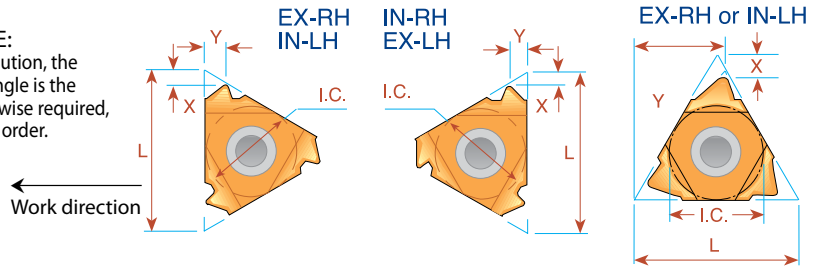
Order example: 11 IR B 1.5 MJ BMA

For Carbide Grade and Cutting Speed see page 60-61

## American Buttress



**IMPORTANT NOTE:**  
In C.P.T. standard execution, the flank with the large angle is the leading edge. If otherwise required, please specify in your order.

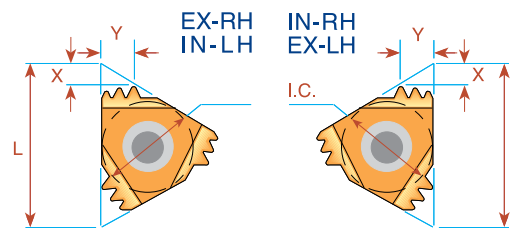
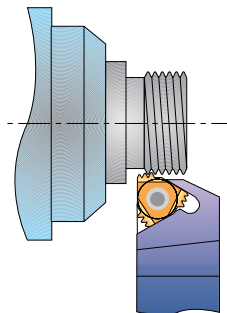


Pitch TPI	L	I.C. in	<b>EXTERNAL</b>		<b>INTERNAL</b>		X	Y
			Ordering Code Right Hand	Ordering Code Left Hand	Ordering Code Right Hand	Ordering Code Left Hand		
20	11	1/4	<b>11 ER 20 ABUT</b>	<b>11 EL 20 ABUT</b>	<b>11 IR 20 ABUT</b>	<b>11 IL 20 ABUT</b>	1.0	1.3
16	11	1/4	<b>11 ER 16 ABUT</b>	<b>11 EL 16 ABUT</b>	<b>11 IR 16 ABUT</b>	<b>11 IL 16 ABUT</b>	1.0	1.5
20	16	3/8	<b>16 ER 20 ABUT</b>	<b>16 EL 20 ABUT</b>	<b>16 IR 20 ABUT</b>	<b>16 IL 20 ABUT</b>	1.0	1.3
16	16	3/8	<b>16 ER 16 ABUT</b>	<b>16 EL 16 ABUT</b>	<b>16 IR 16 ABUT</b>	<b>16 IL 16 ABUT</b>	1.0	1.5
12	16	3/8	<b>16 ER 12 ABUT</b>	<b>16 EL 12 ABUT</b>	<b>16 IR 12 ABUT</b>	<b>16 IL 12 ABUT</b>	1.4	2.0
10	16	3/8	<b>16 ER 10 ABUT</b>	<b>16 EL 10 ABUT</b>	<b>16 IR 10 ABUT</b>	<b>16 IL 10 ABUT</b>	1.5	2.3
8	22	1/2	<b>22 ER 8 ABUT</b>	<b>22 EL 8 ABUT</b>	<b>22 IR 8 ABUT</b>	<b>22 IL 8 ABUT</b>	2.1	3.3
6	22	1/2	<b>22 ER 6 ABUT</b>	<b>22 EL 6 ABUT</b>	<b>22 IR 6 ABUT</b>	<b>22 IL 6 ABUT</b>	2.1	3.4
4	22U	1/2U	<b>22U ER 4 ABUT</b>	<b>22U EL 4 ABUT</b>	<b>22U IR 4 ABUT</b>	<b>22U IL 4 ABUT</b>	2.3	9.5
3	27U	5/8U	<b>27U ER 3 ABUT</b>	<b>27U EL 3 ABUT</b>	<b>27U IR 3 ABUT</b>	<b>27U IL 3 ABUT</b>	3.1	11.7

Order example: 16 IL 12 ABUT MXC

Most applications requires anvil change in toolholder see page 65

## Multitooth

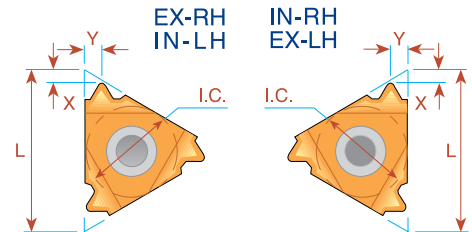
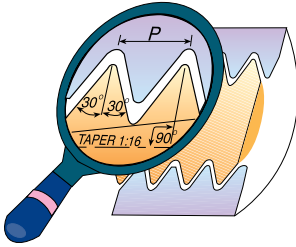


Pitch TPI	L	I.C. in	Number of Teeth	<b>EXTERNAL</b>	Anvil	<b>INTERNAL</b>	Anvil	X	Y
				Ordering Code		Ordering Code			
12	22	1/2	2	<b>22 ER 12 ABUT 2M</b>	AE22M	<b>22 IR 16 ABUT 2M</b>	AI22M	2.5	4.0

Order example: 22 IR 16 ABUT 2M BMA

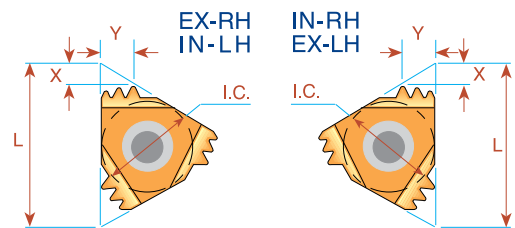
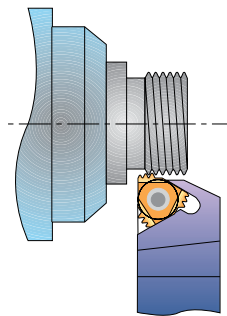
For Carbide Grade and Cutting Speed see page 60-61

## OIL Threads API Round



Pitch TPI	L	I.C. in	Taper IPF	<b>EXTERNAL</b> Ordering Code Right Hand	<b>INTERNAL</b> Ordering Code Right Hand	X	Y
10	16	3/8	0.75	<b>16 ER 10 API RD</b>	<b>16 IR 10 API RD</b>	1.5	1.4
8	16	3/8	0.75	<b>16 ER 8 API RD</b>	<b>16 IR 8 API RD</b>	1.3	1.6

## Multitooth



Pitch TPI	L	I.C. in	Number of Teeth	<b>EXTERNAL</b> Ordering Code	Anvil	<b>INTERNAL</b> Ordering Code	Anvil	X	Y
10	22	1/2	2	<b>22 ER 10API RD 2M</b>	AE22M	<b>22 IR 10API RD 2M</b>	AI22M	2.4	3.7
10	27	5/8	3	<b>27 ER 10API RD 3M</b>	AE27M	<b>27 IR 10API RD 3M</b>	AI27M	3.8	6.2
8	27	5/8	2	<b>27 ER 8API RD 2M</b>	AE27M	<b>27 IR 8API RD 2M</b>	AI27M	3.0	4.5

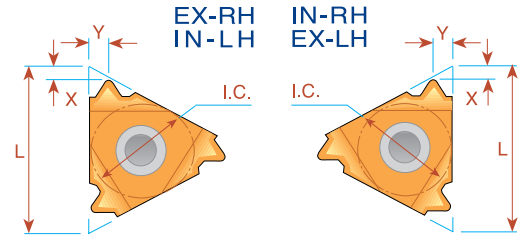
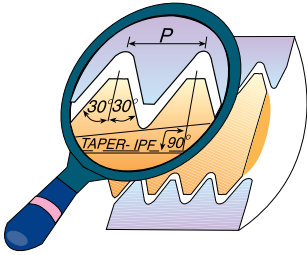
Order example: 27 IR 10 API RD 3M MXC

For recommended number of passes see page 62

For Carbide Grade and Cutting Speed see page 60-61



## OIL Threads



### V-0.040

Pitch TPI	L	I.C. in	Taper IPF	<b>EXTERNAL</b>	<b>INTERNAL</b>	X	Y	Connection No. or Size
				Ordering Code Right Hand	Ordering Code Right Hand			
5	22	1/2	3	<b>22 ER 5 API 403</b>	<b>22 IR 5 API 403</b>	1.8	2.5	23/8-4 1/2 REG

### V-0.038R

Pitch TPI	L	I.C. in	Taper IPF	<b>EXTERNAL</b>	<b>INTERNAL</b>	X	Y	Connection No. or Size
				Ordering Code Right Hand	Ordering Code Right Hand			
4	27	5/8	2	<b>27 ER 4 API 382</b>	<b>27 IR 4 API 382</b>	2.1	2.8	NC23-NC50
4	27	5/8	3	<b>27 ER 4 API 383</b>	<b>27 IR 4 API 383</b>	2.1	2.8	NC56-NC77

### V-0.050

Pitch TPI	L	I.C. in	Taper IPF	<b>EXTERNAL</b>	<b>INTERNAL</b>	X	Y	Connection No. or Size
				Ordering Code Right Hand	Ordering Code Right Hand			
4	27	5/8	2	<b>27 ER 4 API 502</b>	<b>27 IR 4 API 502</b>	2.0	3.0	65/8 REG
4	27	5/8	3	<b>27 ER 4 API 503</b>	<b>27 IR 4 API 503</b>	2.0	3.0	5 1/2, 75/8, 85/8 REG

### V-0.055

Macaroni Tubing (MT)  
 American Macaroni Tubing (AMT)  
 American Mining Macaroni Tubing (AMMT)

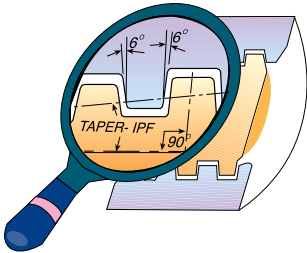
Pitch TPI	L	I.C. in	Taper IPF	<b>EXTERNAL</b>	<b>INTERNAL</b>	X	Y	Connection No. or Size
				Ordering Code Right Hand	Ordering Code Right Hand			
6	22	1/2	1.5	<b>22 ER 6 API 551.5</b>	-	2.0	1.7	NC10,NC12,NC13,NC16
6	16	3/8	1.5	-	<b>16 IR 6 API 551.5</b>	2.0	1.7	NC10,NC12,NC13 *
6	22	1/2	1.5	-	<b>22 IR 6 API 551.5</b>	2.0	1.7	NC16 **

\* For NC10,NC12 use holder SIR0016P16CB  
 For NC13 use holders SIR0020P16/SIR0020P16B/SIR0020S16CB

\*\* For NC16 use holder SIR0025R22

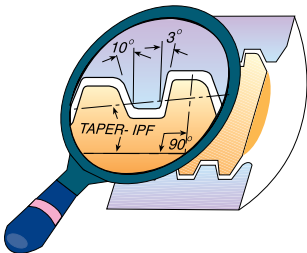
For Carbide Grade and Cutting Speed see page 60-61

## OIL Threads Extreme - Line Casing



Pitch TPI	L	I.C. in	Taper IPF	<b>EXTERNAL</b>	<b>INTERNAL</b>	X	Y	Connection No. or Size
				Ordering Code Right Hand	Ordering Code Right Hand			
6	22	1/2	1.50	<b>22 ER 6 EL 1.5</b>	<b>22 IR 6 EL 1.5</b>	1.9	1.9	5-7 5/8
5	22	1/2	1.25	<b>22 ER 5 EL 1.25</b>	<b>22 IR 5 EL 1.25</b>	2.4	2.3	8 5/8-10 3/4

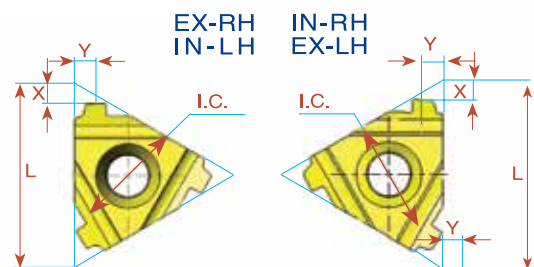
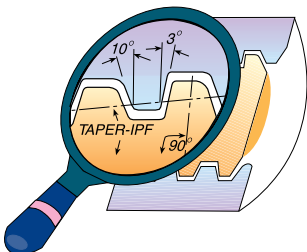
## Buttress Casing



Pitch TPI	L	I.C. in	Taper IPF	<b>EXTERNAL</b>	<b>INTERNAL</b>	X	Y	Connection No. or Size
				Ordering Code Right Hand	Ordering Code Right Hand			
5	22	1/2	0.75	<b>22 ER 5 BUT 0.75</b>	<b>22 IR 5 BUT 0.75</b>	2.2	2.4	4 1/2-13 3/8
5	22	1/2	1.00	<b>22 ER 5 BUT 1.0</b>	<b>22 IR 5 BUT 1.0</b>	2.3	2.4	16-20

Order example: 22 ER 5 BUT 0.75 MXC

## VAM



Pitch TPI	L	I.C. in	Taper IPF	<b>EXTERNAL</b>	X	Y	<b>INTERNAL</b>	X	Y	Connection No. or Size
				Ordering Code Right Hand			Ordering Code Right Hand			
8	16	3/8	0.75	<b>16 ER 8 VAM</b>	1.7	1.8	<b>16 IR 8 VAM</b>	1.7	1.8	2 3/8" - 2 7/8"
6	22	1/2	0.75	<b>22 ER 6 VAM</b>	2.4	2.4	<b>22 IR 6 VAM</b>	2.5	2.5	3 1/2" - 4 1/2"
5	22	1/2	0.75	<b>22 ER 5 VAM</b>	2.4	2.7	<b>22 IR 5 VAM</b>	2.4	2.5	5" - 13 3/8"

Order example: 16 ER 8 VAM BMA

For Carbide Grade and Cutting Speed see page 60-61

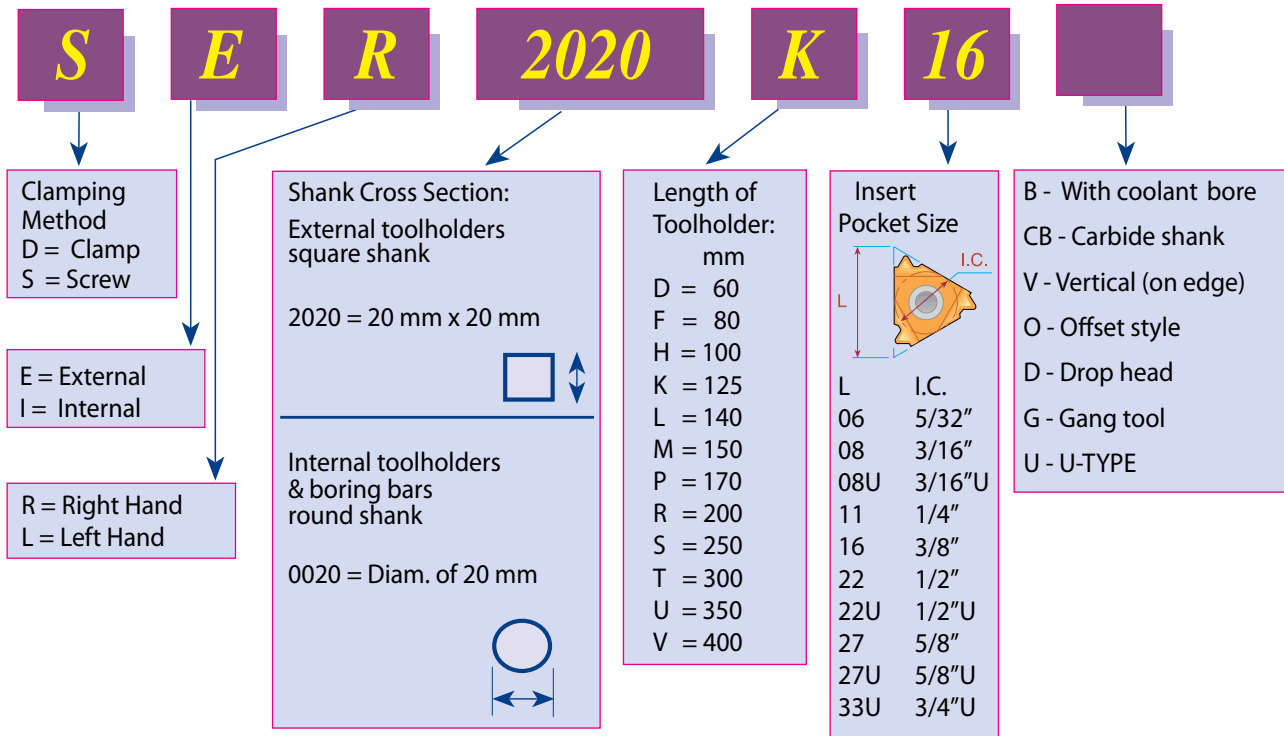
# Thread Turning Toolholders and Kits



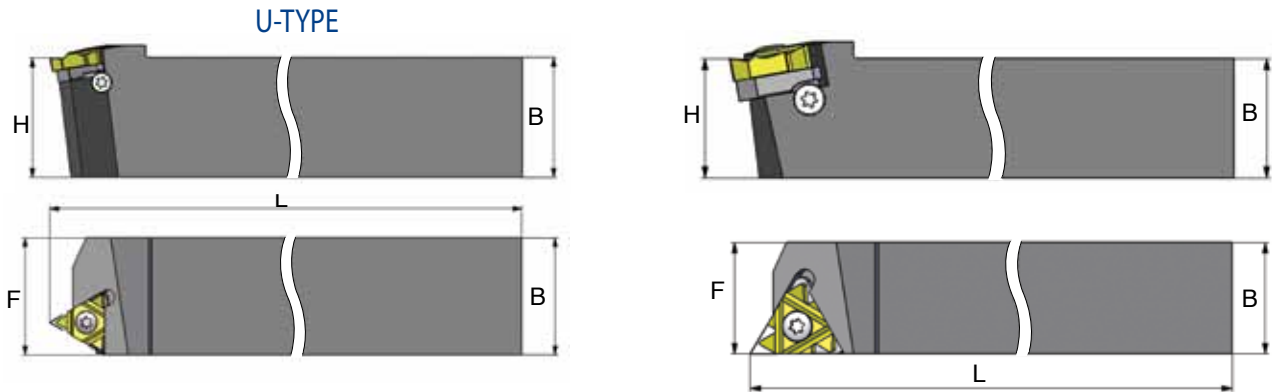
Contents:	Page:	Contents:	Page:
Product Identification	38	Gang Toolholders	44
External Toolholders	39	<b>Quick Change</b>	45-46
External Toolholders with Top Clamp	40	External Toolholders	45
Vertical Toolholders	40	Internal Toolholders	46
Slim Throat Toolholders	40	Special Thread Turning Application	47
Internal Toolholders	41	Anvils and Anvil Kits	48-49
Internal Toolholders with Coolant Bore	42	Standard Kits	50
Internal Toolholders with Top Clamp	42	Miniature & Ultra-miniature Kits	50
Toolholders with 3.5° Helix Angle	42	Inserts' Kits	51
Carbide Shank Boring Bars	43	Threading & Boring Combination Kit	52
Drophead Toolholders	43		
Vertical Toolholders	44		

## Product Identification

### Threading Toolholders Ordering Codes



## External Toolholders



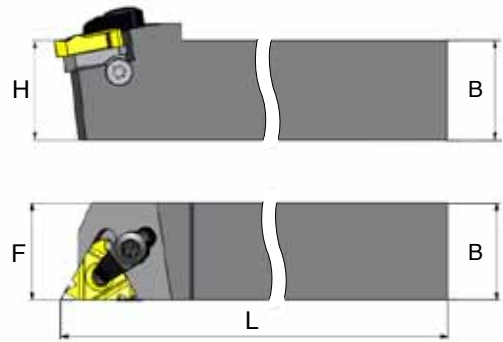
Ordering Code Right Hand	 L	B=H	L	F	Insert Screw	Anvil Screw	Torx Key	RH Anvil	LH Anvil
*SER 8 8 H11	11	8	100	11	S11	-	K11	-	-
*SER 10 10 H11	11	10	100	11	S11	-	K11	-	-
SER 12 12 F16	16	12	80	16	S16	A16	K16	AE16	AI16
SER 16 16 H16	16	16	100	16	S16	A16	K16	AE16	AI16
SER 20 20 K16	16	20	125	20	S16	A16	K16	AE16	AI16
SER 25 25 M16	16	25	150	25	S16	A16	K16	AE16	AI16
SER 32 32 P16	16	32	170	32	S16	A16	K16	AE16	AI16
SER 25 25 M22	22	25	150	25	S22	A22	K22	AE22	AI22
SER 32 32 P22	22	32	170	32	S22	A22	K22	AE22	AI22
SER 40 40 R22	22	40	200	40	S22	A22	K22	AE22	AI22
SER 25 25 M22U	22U	25	150	28	S22	A22	K22	AE22U	AI22U
SER 32 32 P22U	22U	32	170	32	S22	A22	K22	AE22U	AI22U
SER 40 40 R22U	22U	40	200	40	S22	A22	K22	AE22U	AI22U
SER 25 25 M27	27	25	150	32	S27	A27	K27	AE27	AI27
SER 32 32 P27	27	32	170	32	S27	A27	K27	AE27	AI27
SER 40 40 R27	27	40	200	40	S27	A27	K27	AE27	AI27
SER 25 25 M27U	27U	25	150	32	S27	A27	K27	AE27U	AI27U
SER 32 32 P27U	27U	32	170	32	S27	A27	K27	AE27U	AI27U
SER 40 40 R27U	27U	40	200	40	S27	A27	K27	AE27U	AI27U
SER 25 25 M33U	33U	25	150	32	S33	-	K33	-	-
SER 32 32 P33U	33U	32	170	32	S33	-	K33	-	-


\*Toolholders with no anvil

For **LEFT HAND** toolholders specify **SEL** instead of **SER**

Toolholders are made with a **1.5° Helix Angle**. For other Helix Angles please consult helix angle chart (page 65) in the technical section of this catalogue.

## External toolholders with top clamp



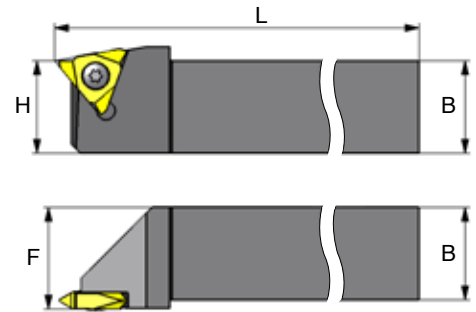
Ordering Code Right Hand	 L	B=H	L	F	Insert Screw	Clamp	Anvil Screw	Torx Key	RH Anvil	LH Anvil
<b>DER 2020 K16</b>	16	20	125	20	S16	C16	A16S	K16	AE16	AI16
<b>DER 2525 M16</b>	16	25	150	25	S16	C16	A16S	K16	AE16	AI16
<b>*DER 2525 M22</b>	22	25	150	25	S22	C22	A22	K22	AE22	AI22

For **LEFT HAND** toolholders specify **DEL** instead of **DER**

Toolholders are made with a **1.5° Helix Angle**. For other Helix Angles please consult helix angle chart in the technical section of this catalogue.

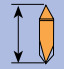
Two clamping methods can be used: screw or top clamp.

\*Use K21 torx key for C22 clamp

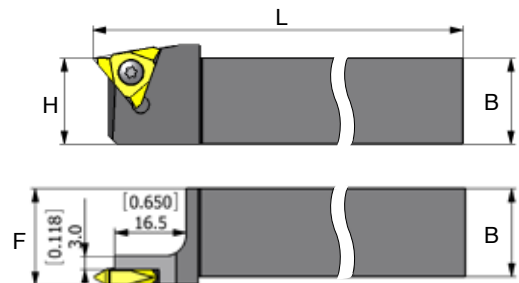


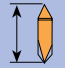
## Vertical toolholders



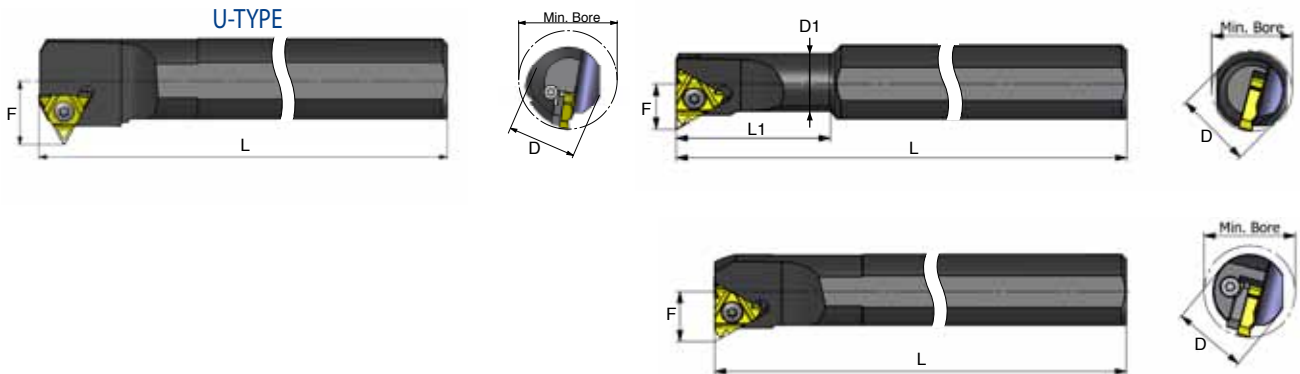
Ordering Code Right Hand		B=H	L	F	Insert Screw	Torx Key
<b>SER 2020 K16V</b>	16	20	125	22	S16S	K16
<b>SER 2525 M16V</b>	16	25	150	27	S16S	K16
<b>SER 2525 M22V</b>	22	25	150	27.5	S22S	K22
<b>SER 3232 P27V-T10</b>	27	32	170	36	S27	K27


## Slim Throat toolholders



Ordering Code Right Hand		B=H	L	F	Insert Screw	Torx Key
<b>SER 1616 H16VS</b>	16	16	100	18	S16S	K16
<b>SER 2020 K16VS</b>	16	20	125	22	S16S	K16
<b>SER 2525 M16VS</b>	16	25	150	27	S16S	K16

## Internal Toolholders



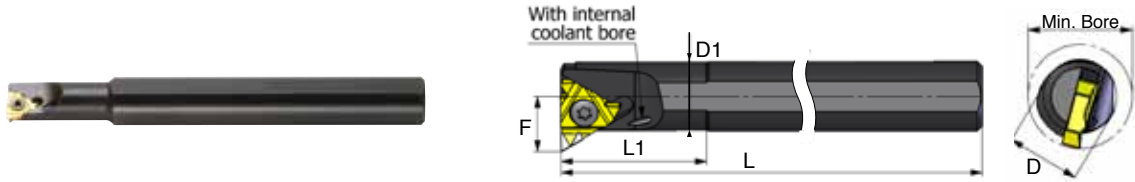
Ordering Code Right Hand	 L	D	D1	Min Bore Diam.	L	L1	F	Insert Screw	Anvil Screw	Torx Key	RH Anvil	LH Anvil
*SIR 0005 H06	6	12	5.1	6.0	100	12	4.3	S06	-	K06	-	-
*SIR 0007 K08	8	16	6.6	7.8	125	18	5.3	S08	-	K08	-	-
*SIR 0008 K08U	8U	16	7.3	9.0	125	21	6.6	S08	-	K08	-	-
*SIR 0010 H11	11	10	10	12	100	-	7.4	S11	-	K11	-	-
*SIR 0010 K11	11	16	10	12	125	25	7.4	S11	-	K11	-	-
*SIR 0013 L11	11	16	13	15	140	32	8.9	S11	-	K11	-	-
*SIR 0013 M16	16	16	13	16	150	32	10.2	S16S	-	K16	-	-
*SIR 0016 P16	16	20	16	19	170	40	11.7	S16S	-	K16	-	-
SIR 0020 P16	16	20	20	24	170	-	13.7	S16	A16	K16	AI16	AE16
SIR 0025 R16	16	25	25	29	200	-	16.2	S16	A16	K16	AI16	AE16
SIR 0032 S16	16	32	32	36	250	-	19.7	S16	A16	K16	AI16	AE16
SIR 0040 T16	16	40	40	44	300	-	23.7	S16	A16	K16	AI16	AE16
*SIR 0020 P22	22	20	20	24	170	-	15.6	S22S	-	K22	-	-
SIR 0025 R22	22	25	25	29	200	-	18.1	S22	A22	K22	AI22	AE22
SIR 0032 S22	22	32	32	38	250	-	21.6	S22	A22	K22	AI22	AE22
SIR 0040 T22	22	40	40	46	300	-	25.6	S22	A22	K22	AI22	AE22
SIR 0032 S22U	22U	32	32	38	250	-	24.4	S22	A22	K22	AI22U	AE22U
SIR 0040 T22U	22U	40	40	46	300	-	28.1	S22	A22	K22	AI22U	AE22U
SIR 0032 S27	27	32	32	40	250	-	22.6	S27	A27	K27	AI27	AE27
SIR 0040 T27	27	40	40	48	300	-	26.6	S27	A27	K27	AI27	AE27
SIR 0050 U27	27	50	50	58	350	-	31.6	S27	A27	K27	AI27	AE27
SIR 0060 V27	27	60	60	68	400	-	36.6	S27	A27	K27	AI27	AE27
SIR 0032 S27U	27U	32	32	40	250	-	25.8	S27	A27	K27	AI27U	AE27U
SIR 0040 T27U	27U	40	40	48	300	-	29.4	S27	A27	K27	AI27U	AE27U
SIR 0050 U27U	27U	50	50	58	350	-	34.4	S27	A27	K27	AI27U	AE27U
SIR 0060 V27U	27U	60	60	68	400	-	39.7	S27	A27	K27	AI27U	AE27U
*SIR 0050 U33U	33U	50	50	62	350	-	37.5	S33	-	K33	-	-


\*Toolholders with no anvil

For **LEFT HAND** toolholders specify **SIL** instead of **SIR**

Toolholders are made with a **1.5° Helix Angle**. For other Helix Angles please consult helix angle chart (page 65) in the technical section of this catalogue.

## Internal toolholders with coolant bore



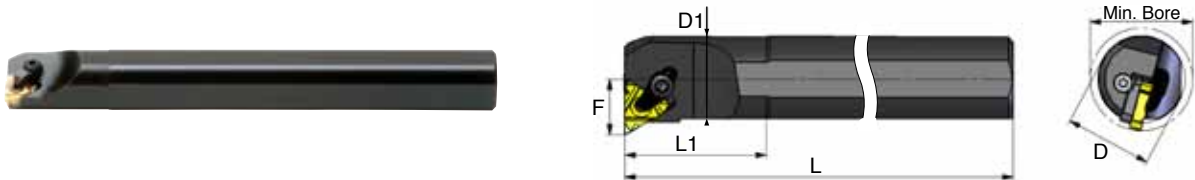
Ordering Code Right Hand	 L	D	D1	Min Bore Diam.	L	L1	F	Insert Screw	Anvil Screw	Torx Key	RH Anvil	LH Anvil
*SIR 0010 K11B	11	16	10	12	125	25	7.4	S11	-	K11	-	-
*SIR 0013 M16B	16	16	13	16	150	32	10.2	S16S	-	K16	-	-
*SIR 0016 P16B	16	20	16	19	170	40	11.7	S16S	-	K16	-	-
SIR 0020 P16B	16	20	20	24	170	-	13.7	S16	A16	K16	AI16	AE16
SIR 0025 R16B	16	25	25	29	200	-	16.2	S16	A16	K16	AI16	AE16
SIR 0025 R22B	22	25	25	29	200	-	18.1	S22	A22	K22	AI22	AE22


\*Toolholders without anvil

For **LEFT HAND** toolholders specify **SIL** instead of **SIR**

Toolholders are made with a **1.5° Helix Angle**. For other Helix Angles please consult helix angle chart (page 65) in the technical section of this catalogue.

## Internal toolholders with top clamp



Ordering Code Right Hand	 L	D	D1	Min Bore Diam.	L	L1	F	Insert Screw	Clamp	Anvil Screw	Torx Key	RH Anvil	LH Anvil
DIR 0020 P16	16	20	20	24	170	-	13.7	S16	C16	A16S	K16	AI16	AE16
DIR 0025 R16	16	25	25	29	200	-	16.2	S16	C16	A16S	K16	AI16	AE16
DIR 0032 S16	16	32	32	36	250	-	19.7	S16	C16	A16S	K16	AI16	AE16
* DIR 0025 R22	22	25	25	29	200	-	18.1	S22	C22	A22	K22	AI22	AE22

For **LEFT HAND** toolholders specify **DIL** instead of **DIR**

Two clamping methods can be used: screw or top clamp.

\*Use K21 torx key for C22 clamp

## Toolholders with 3.5° Helix Angle

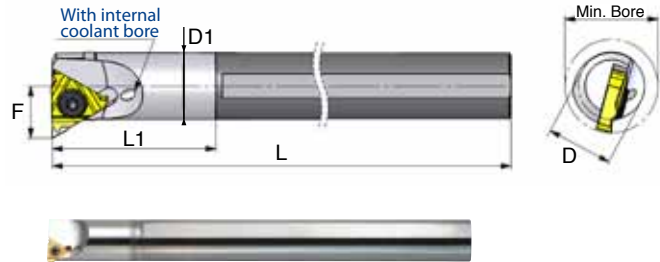
Ordering Code Right Hand	 L	D	D1	Min Bore Diam. mm	L	L1	F	Insert Screw	Torx Key
SIR 0016 P16B-3.5	16	20	16	19	170	40	13.7	S16S	K16
SIR 0020 P22B-3.5	22	20	20	24	170	-	15.6	S22S	K22

For **LEFT HAND** toolholders specify **SIL** instead of **SIR**



## Carbide Shank Threading Bars With coolant bore

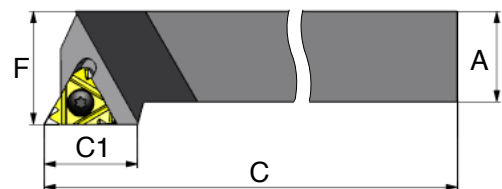
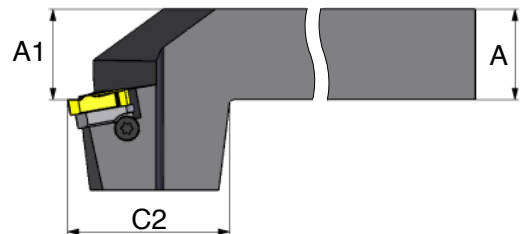
Carbide Shank Threading Bars are used when chatter and deflection are expected due to long overhang in deep small bores.



Ordering Code Right Hand	L	D	D1	Min Bore Diam.	L	L1	F	Insert Screw	Anvil Screw	Torx Key	RH Anvil	LH Anvil
SIR 0005 H06CB	6	6	5.1	6.0	100	26	4.3	S06	-	K06	-	-
SIR 0007 K08CB	8	8	6.6	7.8	125	31	5.3	S08	-	K08	-	-
SIR 0008K08UCB	8U	8	7.3	90	125	35	6.6	S08	-	K08	-	-
SIR 0010 M11CB	11	10	10	12	150	-	7.4	S11	-	K11	-	-
SIR 0012 P11CB	11	12	12	15	170	-	8.4	S11	-	K11	-	-
SIR 0016 R16CB	16	16	16	19	200	-	11.7	S16S	-	K16	-	-
*SIR 0020 S16CB	16	20	20	24	250	-	13.7	S16	A16	K16	AI16	AE16
*SIR 0025 S16CB	16	25	25	29	250	-	16.2	S16	A16	K16	AI16	AE16

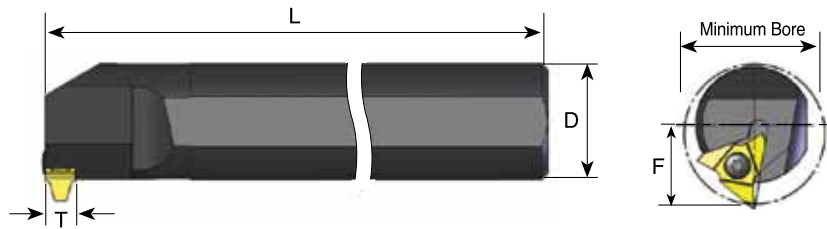
\*Carbide shank Threading bars with anvil  
For **LEFT HAND** toolholders specify **SIL** instead of **SIR**


## Drophead Toolholders



Ordering Code Right Hand	L	A	A1	C	C1	F	C2	Insert Screw	Anvil Screw	Torx Key	RH Anvil	LH Anvil
SER 2020 K16D	16	20	20	125	21.0	25	38	S16	A16	K16	AE16	AI16
SER 2525 M16D	16	25	25	150	21.0	32	38	S16	A16	K16	AE16	AI16
SER 2525 M22D	22	25	25	150	21.0	32	38	S22	A22	K22	AE22	AI22

## Vertical Toolholders



Ordering Code Right Hand	 L	D	* Min Bore Diam.	L	F	Insert Screw	Torx Key
<b>SIR 0040T27V-T10</b>	27	40	48	300	29	S27	K27
<b>SIR 0050U27V-T10</b>	27	50	58	350	34	S27	K27


For **LEFT HAND** toolholders specify **SIL** instead of **SIR**

\* To be compare with given minimum bore profile.

## Gang Toolholders

Gang Toolholders are External Holders, used in small automatic machines with a gang tool post.



Ordering Code Right Hand	 L	B=H	L	F	Insert Screw	Anvil Screw	Torx Key	RH Anvil	LH Anvil
<b>*SER 8 8 H11G</b>	11	8	100	12.0	S11	-	K11	-	-
<b>*SER 10 10 H11G</b>	11	10	100	14.0	S11	-	K11	-	-
<b>SER 16 16 K16G</b>	16	16	125	21.7	S16	A16	K16	AE16	AI16
<b>SER 20 20 K16G</b>	16	20	125	26.2	S16	A16	K16	AE16	AI16

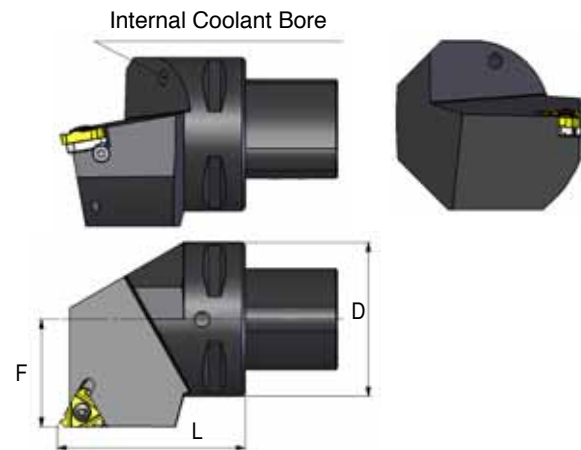
\*Toolholders with no anvil


For **LEFT HAND** toolholders specify **SEL** instead of **SER**

## Quick Change Polygon Threading Toolholders

- Polygon shank
- ISO standard (26623) compliant for toolholding systems
- Polygon taper ensures automatic radial centering and even pressure around the coupling
- Enable quick tool changes ISO standard coupling system with a 1.4 degree tapered polygon shank design
- Interchangeable with leading manufacturers

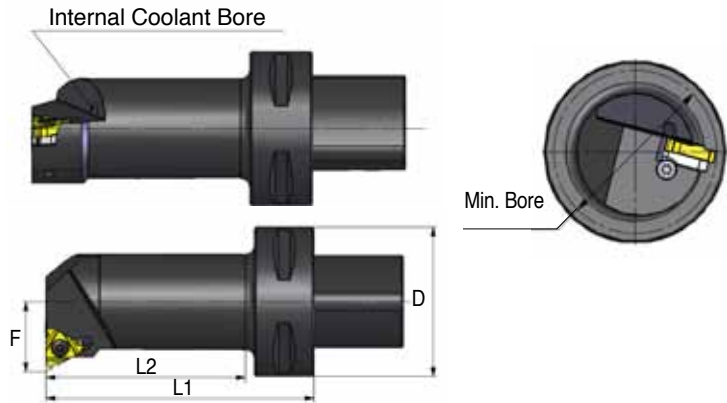
## External Toolholders




Equivalent to...	Ordering Code		D	F	L	Insert Screw	Anvil Screw	Torx key	RH Anvil	LH Anvil
C4	<b>P40-SER 27050-16</b>	16	40	27	50	S16	A16	K16	AE16	AI16
C5	<b>P50-SER 35060-16</b>	16	50	35	60	S16	A16	K16	AE16	AI16
C6	<b>P63-SER 45065-16</b>	16	63	45	65	S16	A16	K16	AE16	AI16
C4	<b>P40-SER 27050-22</b>	22	40	27	50	S22	A22	K22	AE22	AI22
C5	<b>P50-SER 35060-22</b>	22	50	35	60	S22	A22	K22	AE22	AI22
C6	<b>P63-SER 45065-22</b>	22	63	45	65	S22	A22	K22	AE22	AI22
C8	<b>P80-SER 55080-22</b>	22	80	55	80	S22	A22	K22	AE22	AI22

For **LEFT HAND** toolholders specify **SEL** instead of **SER**

## Internal Toolholders

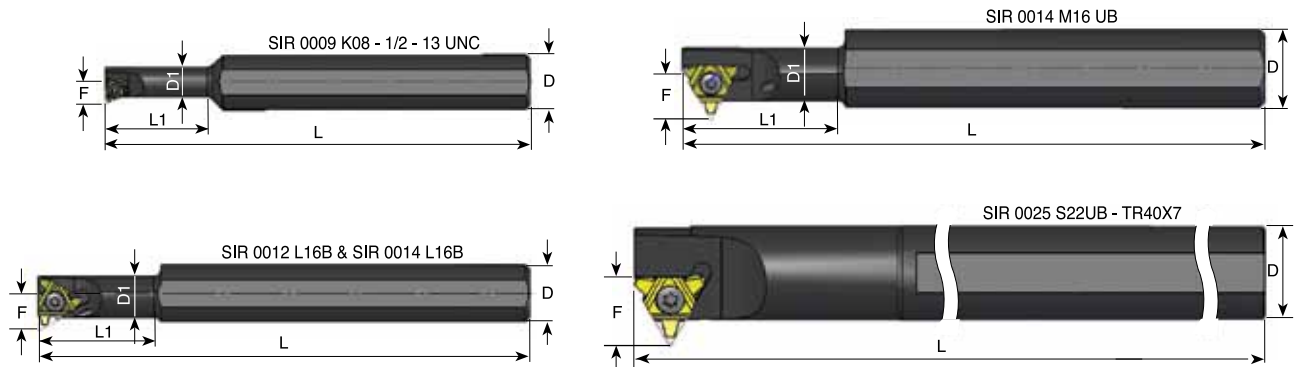


Equivalent to...	Ordering Code		D	F	Min. Bore Dia.	L1	L2	Insert Screw	Anvil Screw	Torx key	RH Anvil	LH Anvil
C4	* P40-SIR 12060-16	16	40	11.7	20	60	37	S16	-	K16	-	-
	P40-SIR 14060-16	16	40	13.5	25	60	38	S16	A16	K16	AI16	AE16
	P40-SIR 17070-16	16	40	16.0	29	70	48	S16	A16	K16	AI16	AE16
	P40-SIR 22090-16	16	40	19.5	36	90	69	S16	A16	K16	AI16	AE16
	P40-SIR 27080-16	16	40	23.5	44	80	60	S16	A16	K16	AI16	AE16
C5	* P50-SIR 12060-16	16	50	11.7	20	60	35	S16	-	K16	-	-
	P50-SIR 14060-16	16	50	13.5	25	60	36	S16	A16	K16	AI16	AE16
	P50-SIR 17070-16	16	50	16.0	29	70	47	S16	A16	K16	AI16	AE16
	P50-SIR 22090-16	16	50	19.5	36	90	68	S16	A16	K16	AI16	AE16
	P50-SIR 27105-16	16	50	23.5	44	105	84	S16	A16	K16	AI16	AE16
C6	P63-SIR 14070-16	16	63	13.5	25	70	42	S16	A16	K16	AI16	AE16
	P63-SIR 17075-16	16	63	16.0	29	75	48	S16	A16	K16	AI16	AE16
	P63-SIR 22090-16	16	63	19.5	36	90	64	S16	A16	K16	AI16	AE16
	P63-SIR 27105-16	16	63	23.5	44	105	80	S16	A16	K16	AI16	AE16
C4	* P40-SIR 15065-22	22	40	15.4	25	65	42	S22	-	K22	-	-
	P40-SIR 19070-22	22	40	17.9	29	70	48	S22	A22	K22	AI22	AE22
	P40-SIR 22090-22	22	40	21.4	38	90	69	S22	A22	K22	AI22	AE22
	P40-SIR 27080-22	22	40	25.4	46	80	60	S22	A22	K22	AI22	AE22
C5	* P50-SIR 15065-22	22	50	15.4	25	65	41	S22	-	K22	-	-
	P50-SIR 19070-22	22	50	17.9	29	70	47	S22	A22	K22	AI22	AE22
	P50-SIR 22090-22	22	50	21.4	38	90	68	S22	A22	K22	AI22	AE22
	P50-SIR 27105-22	22	50	25.4	46	105	84	S22	A22	K22	AI22	AE22
C6	P63-SIR 19075-22	22	63	17.9	29	75	48	S22	A22	K22	AI22	AE22
	P63-SIR 22090-22	22	63	21.4	38	90	64	S22	A22	K22	AI22	AE22
	P63-SIR 27105-22	22	63	25.4	46	105	80	S22	A22	K22	AI22	AE22

For **LEFT HAND** toolholders specify **SIL** instead of **SIR**

\* Holders without anvil

## Special Thread Turning Applications



Ordering Code Right Hand		D	D1	L	L1	F	Thread	Insert Screw	Torx Key
<b>*SIR 0009 K08</b>	8	16	8.7	125	30	6.5	<b>1/2 - 13UNC</b>	S08	K08
<b>SIR 0012 L16B</b>	16	20	11.5	140	33	10.5	<b>TR18x4</b>	S16S	K16
<b>SIR 0014 L16B</b>	16	20	12.5	140	36	21.1	<b>TR20x4</b>	S16S	K16
<b>SIR 0014 M16UB</b>	16	20	13.5	150	40	13.2	<b>TR22x5</b>	S16S	K16
<b>SIR 0025 S22UB</b>	22	25	-	250	-	19.5	<b>TR40x7</b>	S22S	K22

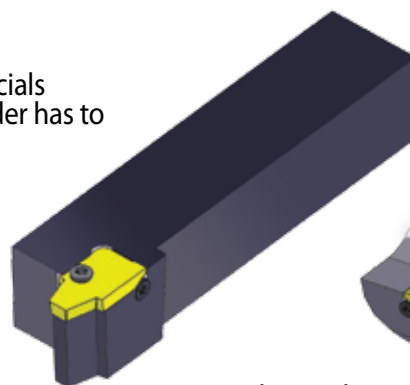
For LH holders call C.P.T.

\* Only right hand available

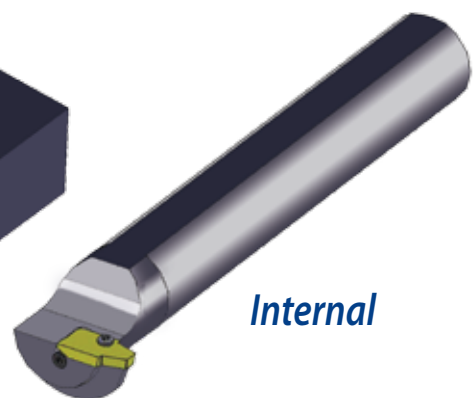
## Large Profile Range

- Pitch Range: 14mm up to 24 mm.
- Tools and inserts are offered as specials (non catalogue), because each holder has to be modified to fit the profile shape.
- Rigid Clamping

*External*



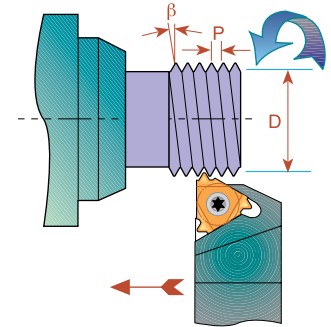
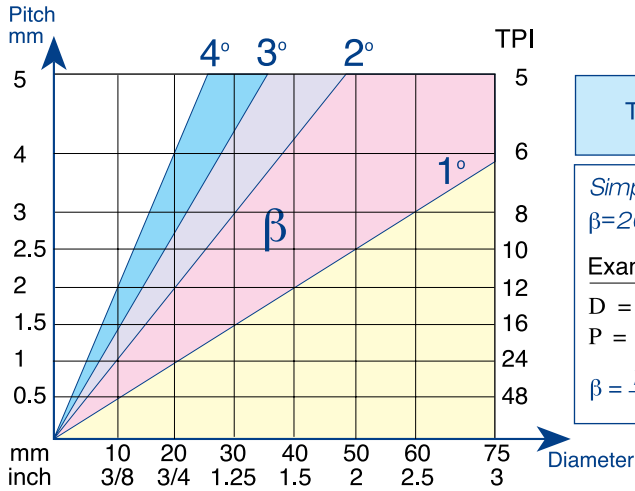
*Internal*



- Tailor made profiles according to customer's request

Available Profile	<b>Round (DIN 20400)</b>	<b>Trapez (DIN 103)</b>	<b>Acme, Stub Acme</b>	<b>American Buttress</b>
Pitch	16 mm	14-24 mm	1.0 - 1.5 TPI	1.5 - 2.0 TPI

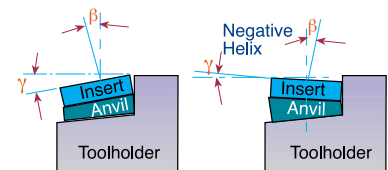
## Thread Helix Angle



## Standard and Slanted Anvils

C.P.T. Toolholder Pockets have a built in 1.5° helix angle. This angle may be adjusted to better match the thread helix angle by simply changing the anvil.

Negative helix is usually used when threading RH thread with LH Holder or LH thread with RH Holder.



L	IC	Pocket Angle $\gamma$	4.5°	3.5°	2.5°	1.5° Standard	0.5°	-0.5°	-1.5°
16	3/8	EX-RH OR IN-LH	AE16+4.5	AE16+3.5	AE16+2.5	<b>AE16</b>	AE16+0.5	AE16-0.5	AE16-1.5
16	3/8	EX-LH OR IN-RH	AI 16+4.5	AI 16+3.5	AI 16+2.5	<b>AI 16</b>	AI 16+0.5	AI 16-0.5	AI 16-1.5
22	1/2	EX-RH OR IN-LH	AE22+4.5	AE22+3.5	AE22+2.5	<b>AE22</b>	AE22+0.5	AE22-0.5	AE22-1.5
22	1/2	EX-LH OR IN-RH	AI 22+4.5	AI 22+3.5	AI 22+2.5	<b>AI 22</b>	AI 22+0.5	AI 22-0.5	AI 22-1.5
22U	1/2U	EX-RH OR IN-LH	AE22U+4.5	AE22U+3.5	AE22U+2.5	<b>AE22U</b>	AE22U+0.5	AE22U-0.5	AE22U-1.5
22U	1/2U	EX-LH OR IN-RH	AI 22U+4.5	AI 22U+3.5	AI 22U+2.5	<b>AI 22U</b>	AI 22U+0.5	AI 22U-0.5	AI 22U-1.5
27	5/8	EX-RH OR IN-LH	AE27+4.5	AE27+3.5	AE27+2.5	<b>AE27</b>	AE27+0.5	AE27-0.5	AE27-1.5
27	5/8	EX-LH OR IN-RH	AI 27+4.5	AI 27+3.5	AI 27+2.5	<b>AI 27</b>	AI 27+0.5	AI 27-0.5	AI 27-1.5
27U	5/8U	EX-RH OR IN-LH	AE27U+4.5	AE27U+3.5	AE27U+2.5	<b>AE27U</b>	AE27U+0.5	AE27U-0.5	AE27U-1.5
27U	5/8U	EX-LH OR IN-RH	AI 27U+4.5	AI 27U+3.5	AI 27U+2.5	<b>AI 27U</b>	AI 27U+0.5	AI 27U-0.5	AI 27U-1.5

## Anvil Kits

5 AE and 5 AI anvils with various helix angles



AE (FOR EX.RH. & IN.LH.)

AI (FOR IN.RH. & EX.LH.)

Ordering Code	Contents				
<b>KA16</b>	AE16+4.5	AE16+3.5	AE16+2.5	AE16+0.5	AE16-1.5
	AI 16+4.5	AI 16+3.5	AI 16+2.5	AI 16+0.5	AI 16-1.5
<b>KA22</b>	AE22+4.5	AE22+3.5	AE22+2.5	AE22+0.5	AE22-1.5
	AI 22+4.5	AI 22+3.5	AI 22+2.5	AI 22+0.5	AI 22-1.5
<b>KA22U</b>	AE22U+4.5	AE22U+3.5	AE22U+2.5	AE22U+0.5	AE22U-1.5
	AI 22U+4.5	AI 22U+3.5	AI 22U+2.5	AI 22U+0.5	AI 22U-1.5
<b>KA27</b>	AE27+4.5		AE27+2.5		AE27-1.5
	AI 27+4.5		AI 27+2.5		AI 27-1.5
<b>KA27U</b>	AE27U+4.5		AE27U+2.5		AE27U-1.5
	AI 27U+4.5		AI 27U+2.5		AI 27U-1.5

## Standard Kits

Threading Kits are a versatile solution for users that cut a variety of thread types in limited quantity and do not want to sacrifice thread quality.

### External ISO Kit Ordering Code:KEG

#### INSERTS

16 ER A60 P25C  
 16 ER G60 P25C  
 16 ER 0.75 ISO P25C  
 16 ER 1.0 ISO P25C  
 16 ER 1.25 ISO P25C  
 16 ER 1.5 ISO P25C  
 16 ER 1.75 ISO P25C  
 16 ER 2.0 ISO P25C  
 16 ER 2.5 ISO P25C  
 16 ER 3.0 ISO P25C

#### TOOLHOLDERS

SER 2020 K16  
 KEY  
 K16  
 SCREW  
 S16

### Internal ISO Kit Ordering Code:KIG

#### INSERTS

16 IR A60 P25C  
 16 IR G60 P25C  
 16 IR 0.75 ISO P25C  
 16 IR 1.0 ISO P25C  
 16 IR 1.25 ISO P25C  
 16 IR 1.5 ISO P25C  
 16 IR 1.75 ISO P25C  
 16 IR 2.0 ISO P25C  
 16 IR 2.5 ISO P25C  
 16 IR 3.0 ISO P25C

#### TOOLHOLDERS

SIR 0020 K16  
 KEY  
 K16  
 SCREW  
 S16



If a larger toolholders with a 25 mm shank is required, add to the kit 25. For example: KIG - 25

## Miniature & Ultra-Miniature Kits



Ordering Code	Type	No. of Inserts	Inserts	Contents Boring Bar	Key
<b>KU60M - BXC</b>	ULTRA	10	06 IR A60 BXC	SIR 0005 H06	K6
<b>KM60M - BXC</b>	MINI	10	08 IR A60 BXC	SIR 0007 K08	K8



## Inserts' Kits

### Type B Kits

Type B threading inserts.  
A combination of ground profile and sintered chip-breaker threading inserts.  
BMA Grade: Sub-Micron carbide grade with TiAlN multi-Layer Coating.



#### EXTERNAL ISO KIT KEMB - BMA

- 16 ER B 1.0 ISO BMA-2 Pcs
- 16 ER B 1.25 ISO BMA-2 Pcs
- 16 ER B 1.5 ISO BMA-2 Pcs
- 16 ER B 1.75 ISO BMA-2 Pcs
- 16 ER B 2.0 ISO BMA-2 Pcs



EX-RH

#### INTERNAL ISO KIT KIMB - BMA

- 16 IR B 1.0 ISO BMA-2 Pcs
- 16 IR B 1.25 ISO BMA-2 Pcs
- 16 IR B 1.5 ISO BMA-2 Pcs
- 16 IR B 1.75 ISO BMA-2 Pcs
- 16 IR B 2.0 ISO BMA-2 Pcs



IN-RH

### Standard Inserts' Kits

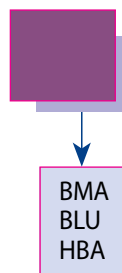
#### EXTERNAL ISO KIT

- 16 ER 1.0 ISO-2 Pcs
- 16 ER 1.25 ISO-2 Pcs
- 16 ER 1.5 ISO-2 Pcs
- 16 ER 1.75 ISO-2 Pcs
- 16 ER 2.0 ISO-2 Pcs

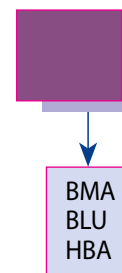
#### INTERNAL ISO KIT

- 16 IR 1.0 ISO-2 Pcs
- 16 IR 1.25 ISO-2 Pcs
- 16 IR 1.5 ISO-2 Pcs
- 16 IR 1.75 ISO-2 Pcs
- 16 IR 2.0 ISO-2 Pcs

Ordering Code: KEM



Ordering Code: KIM



## Threading & Boring Combination Kit

A practical and convenient combination kit for **Ultra Miniature** Threading and Boring. It enables Boring and Threading of mini bores as small as **6 mm diameter (1/4")** with just one deep reaching **CARBIDE** shank ultra mini Boring Bar.



Ordering Code	Contents			
	Threading Insert	Turning Inserts	Boring Bar	Key
<b>KC6TM</b>	06 IR A60 BXC 10Pcs	06 IR TURN BMA 10Pcs	SIR 0005 H06CB	K6

**BMA** - Coated carbide grade for medium to high cutting speeds

**BXC** - Coated carbide grade for low cutting speed - 40 to 90 m/min

**CB** - Carbide shank boring bar with coolant bore

# Double Sided Thread Turning Inserts



**A unique line of 2 sided inserts including 6 cutting edges, a cost saving tool.**

## Advantages of DSI-Thread Turning Inserts

- Increased productivity thanks to the six cutting edges.
- U-Style inserts for a wide range of full or partial profile standard threads.
- Same insert for right hand or left hand thread.
- Saving on tooling costs.
- Unique anti-vibration anvil design for clamping the insert and supporting the cutting edge.
- Simple insert's mounting and cutting edge indexing.
- Heavy duty toolholders designed specially for this line.

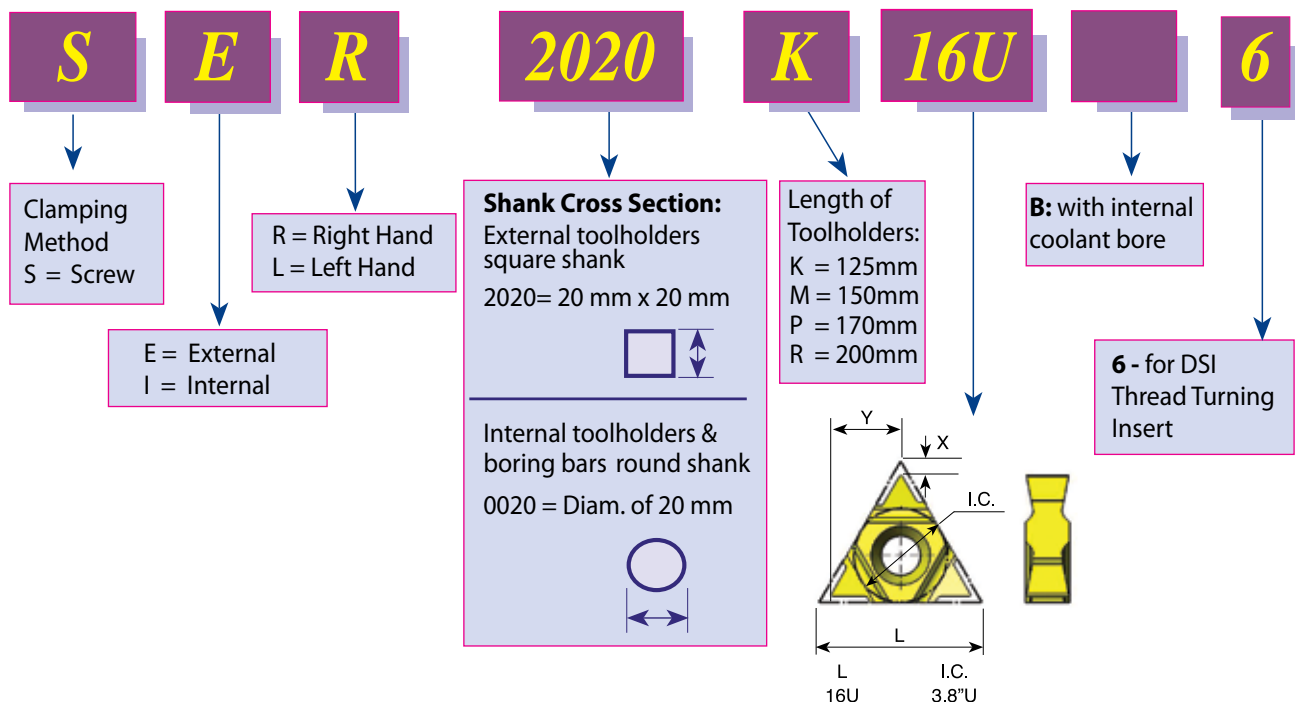
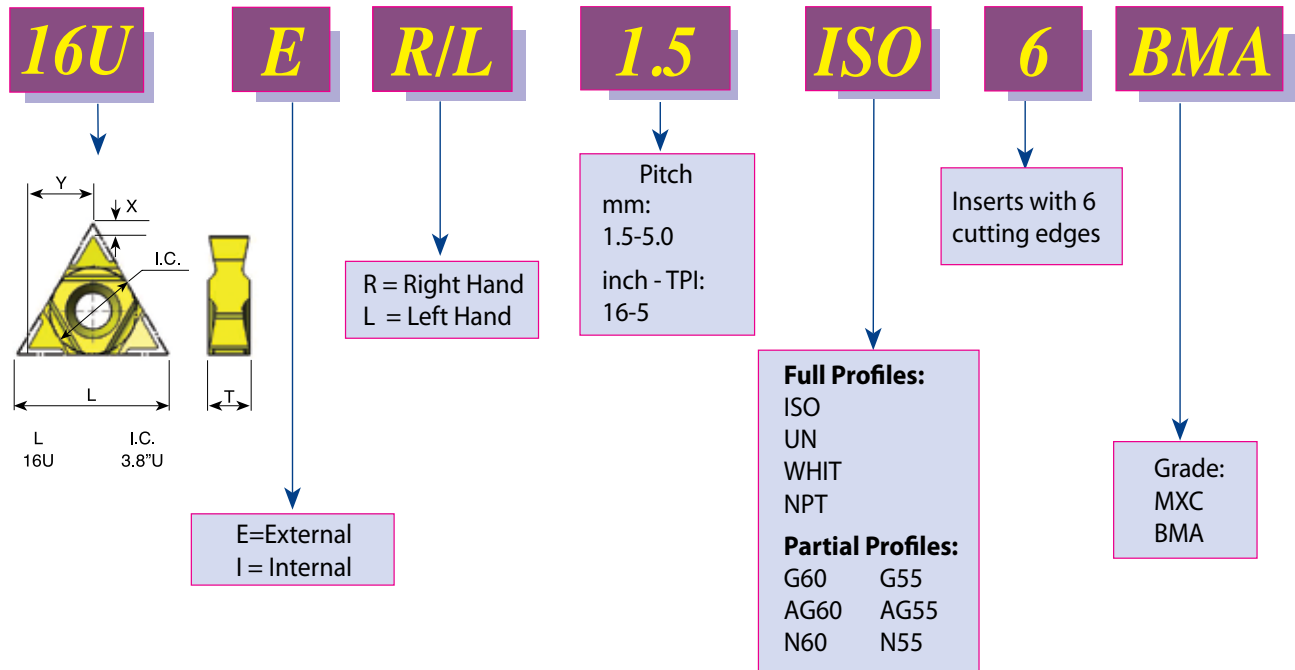
### Contents:

### Page:

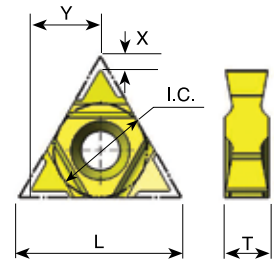
Product Identification	54
Partial Profile 60°	55
Partial Profile 55°	55
ISO	56
UN	56
Whitworth 55°	57
NPT	57
Thread Turning Toolholder - External	58
Thread Turning Toolholder - Internal	58

## Product Identification

### DSI Ordering Code



## Partial Profile 60°

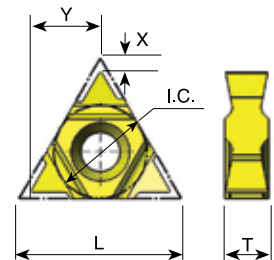


Pitch Range mm	Pitch Range TPI	L	I.C. in	<b>EXTERNAL</b> Ordering Code	<b>INTERNAL</b> Ordering Code	X	Y	T
1.75 - 3.0	14-8	16U	3/8U	<b>16U ER/L G60-6</b>	<b>16U IR/L G60-6</b>	1.4	7.1	4.5
0.5 - 3.0	48-8	16U	3/8U	<b>16U ER/L AG60-6</b>	<b>16U IR/L AG60-6</b>	1.4	7.1	4.5
3.5 - 5.0	7-5	16U	3/8U	<b>16U ER/L N60-6</b>	<b>16U IR/L N60-6</b>	1.2	7.3	4.5

Order example: 16U ER/L G60-6 BMA

Available grades: BMA or MXC

## Partial Profile 55°

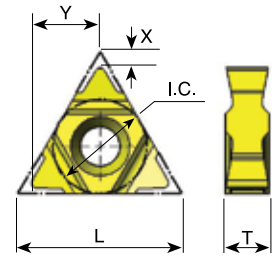


Pitch Range mm	Pitch Range TPI	L	I.C. in	<b>EXTERNAL</b> Ordering Code	<b>INTERNAL</b> Ordering Code	X	Y	T
1.75 - 3.0	14-8	16U	3/8U	<b>16U ER/L G55-6</b>	<b>16U IR/L G55-6</b>	1.4	7.1	4.5
0.5 - 3.0	48-8	16U	3/8U	<b>16U ER/L AG55-6</b>	<b>16U IR/L AG55-6</b>	1.4	7.1	4.5
3.5 - 5.0	7-5	16U	3/8U	<b>16U ER/L N55-6</b>	<b>16U IR/L N55-6</b>	1.2	7.3	4.5

Available grades: BMA or MXC

For Carbide Grade and Cutting Speed see page 60-61

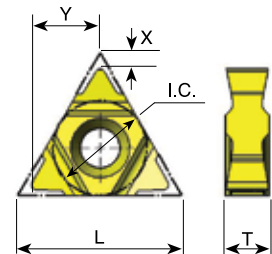
## ISO



Pitch mm	L	I.C. in	<b>EXTERNAL</b> Ordering Code	<b>INTERNAL</b> Ordering Code	X	Y	T
1.5	16U	3/8U	<b>16U ER/L 1.5 ISO-6</b>	<b>16U IR/L 1.5 ISO-6</b>	1.6	6.9	4.5
1.75	16U	3/8U	<b>16U ER/L 1.75 ISO-6</b>	<b>16U IR/L 1.75 ISO-6</b>	1.6	6.9	4.5
2.0	16U	3/8U	<b>16U ER/L 2.0 ISO-6</b>	<b>16U IR/L 2.0 ISO-6</b>	1.6	6.9	4.5
2.5	16U	3/8U	<b>16U ER/L 2.5 ISO-6</b>	<b>16U IR/L 2.5 ISO-6</b>	1.6	6.9	4.5
3.0	16U	3/8U	<b>16U ER/L 3.0 ISO-6</b>	<b>16U IR/L 3.0 ISO-6</b>	1.6	6.9	4.5
3.5	16U	3/8U	<b>16U ER/L 3.5 ISO-6</b>	<b>16U IR/L 3.5 ISO-6</b>	1.6	6.9	4.5
4.0	16U	3/8U	<b>16U ER/L 4.0 ISO-6</b>	<b>16U IR/L 4.0 ISO-6</b>	1.6	6.9	4.5
4.5	16U	3/8U	<b>16U ER/L 4.5 ISO-6</b>	<b>16U IR/L 4.5 ISO-6</b>	1.6	6.9	4.5
5.0	16U	3/8U	<b>16U ER/L 5.0 ISO-6</b>	<b>16U IR/L 5.0 ISO-6</b>	1.6	6.9	4.5

Available grades: BMA or MXC

## UN - Unified **UNC, UNF, UNEF, UNS**

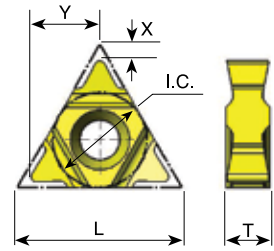


Pitch TPI	L	I.C. in	<b>EXTERNAL</b> Ordering Code	<b>INTERNAL</b> Ordering Code	X	Y	T
16	16U	3/8U	<b>16U ER/L 16 UN-6</b>	<b>16U IR/L 16 UN-6</b>	1.6	6.9	4.5
14	16U	3/8U	<b>16U ER/L 14 UN-6</b>	<b>16U IR/L 14 UN-6</b>	1.6	6.9	4.5
13	16U	3/8U	<b>16U ER/L 13 UN-6</b>	<b>16U IR/L 13 UN-6</b>	1.6	6.9	4.5
12	16U	3/8U	<b>16U ER/L 12 UN-6</b>	<b>16U IR/L 12 UN-6</b>	1.6	6.9	4.5
11.5	16U	3/8U	<b>16U ER/L 11.5 UN-6</b>	<b>16U IR/L 11.5 UN-6</b>	1.6	6.9	4.5
11	16U	3/8U	<b>16U ER/L 11 UN-6</b>	<b>16U IR/L 11 UN-6</b>	1.6	6.9	4.5
10	16U	3/8U	<b>16U ER/L 10 UN-6</b>	<b>16U IR/L 10 UN-6</b>	1.6	6.9	4.5
9	16U	3/8U	<b>16U ER/L 9 UN-6</b>	<b>16U IR/L 9 UN-6</b>	1.6	6.9	4.5
8	16U	3/8U	<b>16U ER/L 8 UN-6</b>	<b>16U IR/L 8 UN-6</b>	1.6	6.9	4.5
7	16U	3/8U	<b>16U ER/L 7 UN-6</b>	<b>16U IR/L 7 UN-6</b>	1.6	6.9	4.5
6	16U	3/8U	<b>16U ER/L 6 UN-6</b>	<b>16U IR/L 6 UN-6</b>	1.6	6.9	4.5
5	16U	3/8U	<b>16U ER/L 5 UN-6</b>	<b>16U IR/L 5 UN-6</b>	1.6	6.9	4.5

Available grades: BMA or MXC

For Carbide Grade and Cutting Speed see page 60-61

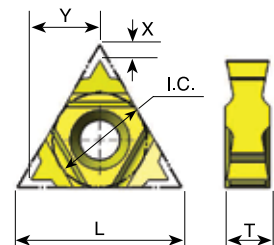
## Whitworth 55° BSW, BSF, BSP, BSB



Pitch TPI	L	I.C. in	<b>EXTERNAL</b> Ordering Code	<b>INTERNAL</b> Ordering Code	X	Y	T
16	16U	3/8U	<b>16U ER/L 16 W-6</b>	<b>16U IR/L 16 W-6</b>	1.6	6.9	4.5
14	16U	3/8U	<b>16U ER/L 14 W-6</b>	<b>16U IR/L 14 W-6</b>	1.6	6.9	4.5
12	16U	3/8U	<b>16U ER/L 12 W-6</b>	<b>16U IR/L 12 W-6</b>	1.6	6.9	4.5
11	16U	3/8U	<b>16U ER/L 11 W-6</b>	<b>16U IR/L 11 W-6</b>	1.6	6.9	4.5
10	16U	3/8U	<b>16U ER/L 10 W-6</b>	<b>16U IR/L 10 W-6</b>	1.6	6.9	4.5
9	16U	3/8U	<b>16U ER/L 9 W-6</b>	<b>16U IR/L 9 W-6</b>	1.6	6.9	4.5
8	16U	3/8U	<b>16U ER/L 8 W-6</b>	<b>16U IR/L 8 W-6</b>	1.6	6.9	4.5
7	16U	3/8U	<b>16U ER/L 7 W-6</b>	<b>16U IR/L 7 W-6</b>	1.6	6.9	4.5
6	16U	3/8U	<b>16U ER/L 6 W-6</b>	<b>16U IR/L 6 W-6</b>	1.6	6.9	4.5
5	16U	3/8U	<b>16U ER/L 5 W-6</b>	<b>16U IR/L 5 W-6</b>	1.4	7.2	4.5

Available grades: BMA or MXC

## NPT



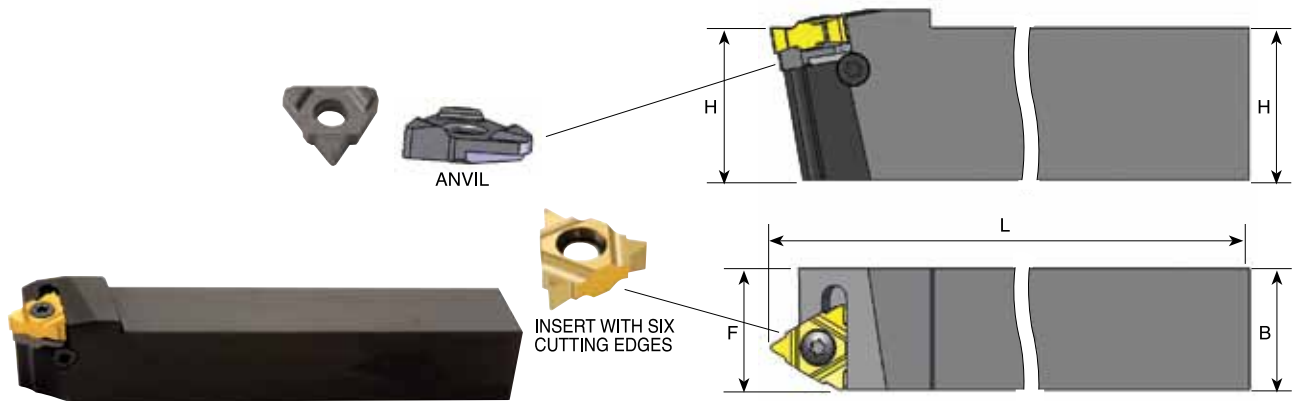
Pitch TPI	L	I.C. in	<b>EXTERNAL</b> Ordering Code	<b>INTERNAL</b> Ordering Code	X	Y	T
14	16U	3/8U	<b>16U ER/L 14 NPT-6</b>	<b>16U IR/L 14 NPT-6</b>	1.6	6.9	4.5
11.5	16U	3/8U	<b>16U ER/L 11.5 NPT-6</b>	<b>16U IR/L 11.5 NPT-6</b>	1.6	6.9	4.5
8	16U	3/8U	<b>16U ER/L 8 NPT-6</b>	<b>16U IR/L 8 NPT-6</b>	1.6	6.9	4.5

Available grades: BMA or MXC

For Carbide Grade and Cutting Speed see page 60-61

## Heavy Duty Thread Turning Toolholders

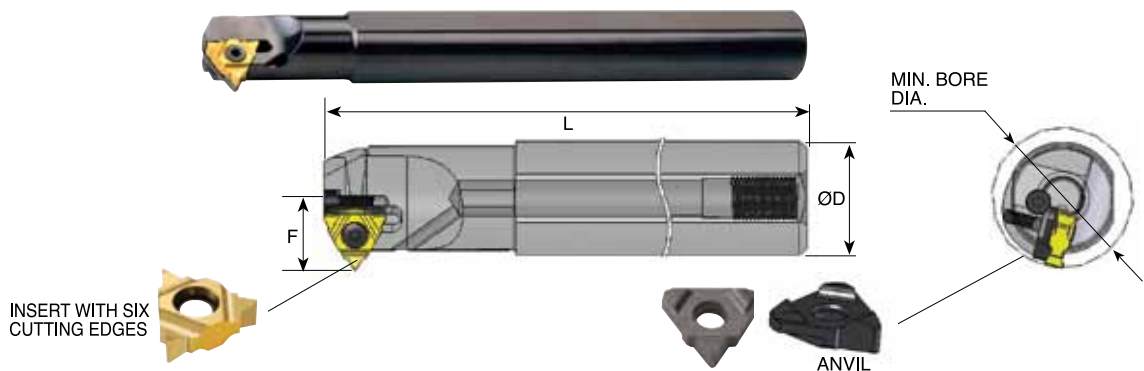
### External



Ordering Code Right Hand	H	B	L	F	Insert Screw	Anvil Screw	Torx Key	RH Anvil	LH Anvil
SER 2020 K16U-6	20	20	125	20	S16	A16	K16	AER 16U-6	AEL 16U-6
SER 2520 M16U-6	25	20	150	20	S16	A16	K16	AER 16U-6	AEL 16U-6

For **LEFT HAND** toolholders specify SEL instead of SER

### Internal with coolant bore

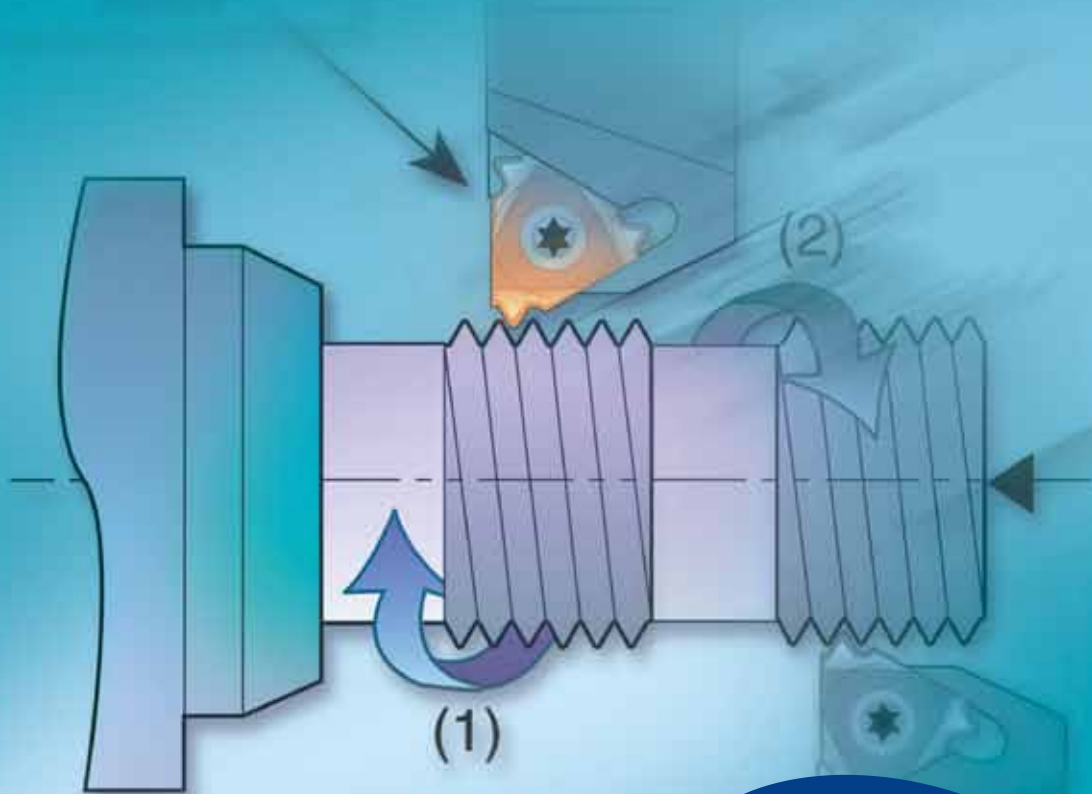


Ordering Code Right Hand	ØD	Min. bore dia.	L	F	Insert Screw	Anvil Screw	Torx Key	RH Anvil	LH Anvil
SIR 0020 P16UB-6	20	24	170	14.9	S16	A16	K16	AIR 16U-6	AIL 16U-6
SIR 0025 R16UB-6	25	29	200	17.4	S16	A16	K16	AIR 16U-6	AIL 16U-6

For **LEFT HAND** toolholders specify SIL instead of SIR



# Thread Turning Technical Section



Thread Turning  
Catalog and CNC  
Programming  
Software



## Contents:

Page:

## Contents:

Page:

Carbide Grade Selection	60
Type B inserts	60
Recommended Cutting Speed	61
Conversion of Cutting Speed to Rotational Speed	62
Number of Threading Passes Selection	62
Number of Threading Passes Selection for Single Point Inserts	63
Thread Turning Methods	63
Important Points about C.P.T. Threading Inserts	64
Flank Clearance Angle	64

Anvil Change Recommendation	65
Thread Turning Step by Step	66-67
Troubleshooting	67
Threading Inserts Standards	68

## Carbide Grade Selection

Choose the C.P.T. grade specifically formulated for your application from the following list:

### Coated Grades

<b>HBA</b> (H10-H25) (S10-S25)	Extra-fine sub-micron grade with high toughness , for optimized performance on hardened steels and cast iron up to 62HRC, titanium alloys and super alloys (hastelloy, inconel and nickel based alloys).
<b>BLU</b> (M10-M20) (K05-K20) (N10-N20) (S10-S20)	PVD triple layer coated sub-micron grade for stainless steels, cast iron, titanium, non ferrous metals and most of the high temperature alloys.
<b>BMA</b> (P20-P40) (K20-K30)	PVD TiAlN coated sub-micrograin grade for stainless steels and exotic materials at medium to high cutting speeds.
<b>P25C</b> (P15-P35)	PVD TiN coated grade for treated and hard alloy steels (25 HRc & up) at medium to low cutting speeds.
<b>MXC</b> (K10-K20) (P10-P25)	PVD TiN coated micrograin for free cutting untreated alloy steels (below 30 HRc), for stainless steels and cast iron.
<b>BXC</b> (P30-P50) (K25-K40)	PVD TiN coated grade for low cutting speed. Works well with wide range of stainless steels.

### Uncoated Grades

<b>P30*</b> (P20-P30)	Carbide grade for carbon and cast steels, works well at medium to low cutting speeds.
<b>K20*</b> (K10-K30)	Carbide grade for non ferrous metals, aluminum and cast iron.

\* Upon request

**Note:** Due to our unique and specialized production techniques, C.P.T. coated inserts provide superior cutting performance and exceptionally long tool life.

### Grade availability per inserts size

Grade	HBA	BLU	BMA	P25C	MXC	BXC	P30	K20
Insert sizes	11, 16, 22, 27	11, 16, 22	06, 08, 11, 16, 22, 27, 33U,	11, 16, 22, 27, 33U	11, 16, 22, 27, 33U	06, 08	11, 16, 22, 27, 33U	06, 08, 11, 16, 22, 27, 33U
			Type-B 11, 16					

## Type B - Threading Inserts

A combination of ground profile, and sintered chip-breaker threading inserts. Unlike most other manufactures' inserts, this combination ensures a consistent high quality thread, with precise shape and dimensions. Two different unique styles of chip-breaker were designed to suit the different specific requirements of Internal threads and External threads. All of C.P.T. Type B inserts are made of BMA Sub-Micrograin grade.

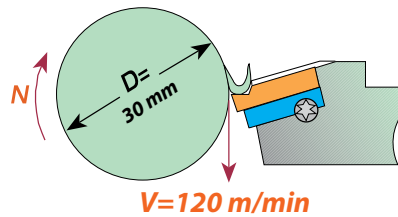


## Recommended cutting speed (m/min) for thread turning inserts

ISO Standard	Material		Condition							
				HBA	BLU	BMA	P25C	MXC	BXC	K20
<b>P</b>	Non-Alloy Steel and Cast Steel, Free Cutting Steel	<0.25%C	Annealed	110-210	120-180	100-180	100-180	70-150	50-130	
		≥0.25%C	Annealed							
		<0.55%C	Quenched & Tempered							
		≥0.55%C	Annealed							
	Low Alloy Steel and Cast Steel (less than 5% alloying elements)	Annealed		90-140	80-130	70-120	70-120	60-90	50-80	
		Quenched & Tempered								
High Alloy Steel, Cast Steel, and Tool Steel	Annealed		70-90	60-80	50-60	55-70	50-60	40-50		
	Quenched & Tempered									
<b>M</b>	Stainless Steel and Cast Steel		Ferritic / Martensitic	110-160	90-130	60-90	60-90	50-80	50-80	
			Martensitic							
			Austenitic							
<b>K</b>	Cast Iron Nodular (GGG)		Ferritic / Pearlitic	120-150	100-130		80-110	60-90		
			Pearlitic							
	Grey Cast Iron (GG)		Ferritic	140-150	120-130		90-100	65-85		
			Pearlitic							
Malleable Cast Iron		Ferritic	110-140	100-130		80-100	60-85			
		Pearlitic								
<b>N</b>	Aluminum-Wrought Alloy		Not Cureable	700-1000			600-800	450-600	600-800	350-500
			Cured							
	Aluminum-Cast, Alloyed	≤12% Si	Not Cureable	280-750			200-550	150-350	200-550	110-300
			Cured							
		>12% Si	High Temperature							
	Copper Alloys	>1% Pb	Free Cutting	190-350			150-250	110-180	150-250	90-150
			Brass							
		Electrolytic Copper								
Non Metallic		Duroplastics, Fiber Plastics				200-300	150-210	100-200	110-150	
		Hard Rubber								
<b>S</b>	High Temp. Alloys, Super Alloys	Fe based	Annealed	20-80	30-65	25-60				
			Cured							
		Ni or Co based	Annealed							
			Cured							
	Titanium Alloys		Alpha +Beta Alloys Cured	30-60	40-50	35-45			35-45	
<b>H</b>	Hardened Steel		Hardened 45-50 HRc	30-60	40-50	35-45				
			Hardened 51-55 HRc							
			Hardened 56-62 HRc							
Chilled Cast Iron		Cast	20-50	30-40	25-35					
Cast Iron		Hardened	20-40	20-30	15-25					

## Conversion of Cutting Speed to Rotational Speed

Conversion of a selected cutting speed to rotational speed is calculated by the following formula:



*Example*

$$N = \frac{V \times 1000}{\pi \times D} = \frac{120 \times 1000}{3.14 \times 30} = 1274 \text{ RPM}$$

## Number of passes and depth of cut per pass for multitooth insert

	Pitch mm	Insert Size		No. of Teeth	Ordering Code	No. of Passes	Depth of Cut per pass			
		L	I.C. (in)				1	2	3	4
ISO External	1.00	16	3/8	3	16 ER 1.0 ISO 3M	2	0.38	0.25		
	1.50	16	3/8	2	16 ER 1.5 ISO 2M	3	0.42	0.30	0.20	
	1.50	22	1/2	3	22 ER 1.5 ISO 3M	2	0.55	0.37		
	2.00	22	1/2	2	22 ER 2.0 ISO 2M	3	0.57	0.40	0.28	
	2.00	22	1/2	3	22 ER 2.0 ISO 3M	2	0.76	0.49		
ISO Internal	3.00	27	5/8	2	27 ER 3.0 ISO 2M	4	0.59	0.51	0.42	0.32
	1.00	16	3/8	3	16 IR 1.0 ISO 3M	2	0.33	0.25		
	1.50	16	3/8	2	16 IR 1.5 ISO 2M	3	0.38	0.29	0.20	
	1.50	22	1/2	3	22 IR 1.5 ISO 3M	2	0.50	0.37		
	2.00	22	1/2	2	22 IR 2.0 ISO 2M	3	0.52	0.37	0.26	
UN External	2.00	22	1/2	3	22 IR 2.0 ISO 3M	2	0.70	0.45		
	3.00	27	5/8	2	27 IR 3.0 ISO 2M	4	0.58	0.46	0.39	0.30
	16	16	3/8	2	16 ER 16 UN 2M	3	0.44	0.31	0.22	
	16	22	1/2	3	22 ER 16 UN 3M	2	0.58	0.39		
	12	22	1/2	2	22 ER 12 UN 2M	3	0.59	0.42	0.30	
UN Internal	12	22	1/2	3	22 ER 12 UN 3M	2	0.78	0.52		
	8	27	5/8	2	27 ER 8 UN 2M	4	0.62	0.54	0.45	0.35
	16	16	3/8	2	16 IR 16 UN 2M	3	0.42	0.28	0.22	
	16	22	1/2	3	22 IR 16 UN 3M	2	0.55	0.37		
	12	22	1/2	2	22 IR 12 UN 2M	3	0.53	0.38	0.31	
Whitworth 55° External	12	22	1/2	3	22 IR 12 UN 3M	2	0.74	0.48		
	8	27	5/8	2	27 IR 8 UN 2M	4	0.63	0.50	0.40	0.30
	14	16	3/8	2	16 ER 14 W 2M	3	0.52	0.37	0.27	
	14	22	1/2	3	22 ER 14 W 3M	2	0.70	0.46		
	11	22	1/2	2	22 ER 11 W 2M	3	0.67	0.47	0.34	
Whitworth 55° Internal	14	16	3/8	2	16 IR 14 W 2M	3	0.52	0.37	0.27	
	14	22	1/2	3	22 IR 14 W 3M	2	0.70	0.46		
	11	22	1/2	2	22 IR 11 W 2M	2	0.67	0.47	0.34	
NPT External	14	16	3/8	2	16 ER 14 NPT 2M	3				
	11.5	22	1/2	2	22 ER 11.5 NPT 2M	4	0.54	0.47	0.37	0.30
	11.5	27	5/8	3	27 ER 11.5 NPT 3M	4	0.76	0.54	0.38	
	8	27	5/8	2	27 ER 8 NPT 2M	4	0.81	0.60	0.55	0.45
NPT Internal	14	16	3/8	2	16 IR 14 NPT 2M	3				
	11.5	22	1/2	2	22 IR 11.5 NPT 2M	4	0.54	0.47	0.37	0.30
	11.5	27	5/8	3	27 IR 11.5 NPT 3M	4	0.76	0.54	0.38	
	8	27	5/8	2	27 IR 8 NPT 2M	4	0.81	0.60	0.55	0.45
API Round External	10	22	1/2	2	22 ER 10 APIRD 2M	3	0.60	0.50	0.31	
	10	27	5/8	3	27 ER 10 APIRD 3M	2	1.00	0.41		
	8	27	5/8	2	27 ER 8 APIRD 2M	3	0.80	0.60	0.41	
API Round Internal	10	22	1/2	2	22 IR 10 APIRD 2M	3	0.60	0.50	0.31	
	10	27	5/8	3	27 IR 10 APIRD 3M	2	1.00	0.41		
	8	27	5/8	2	27 IR 8 APIRD 2M	3	0.80	0.60	0.41	

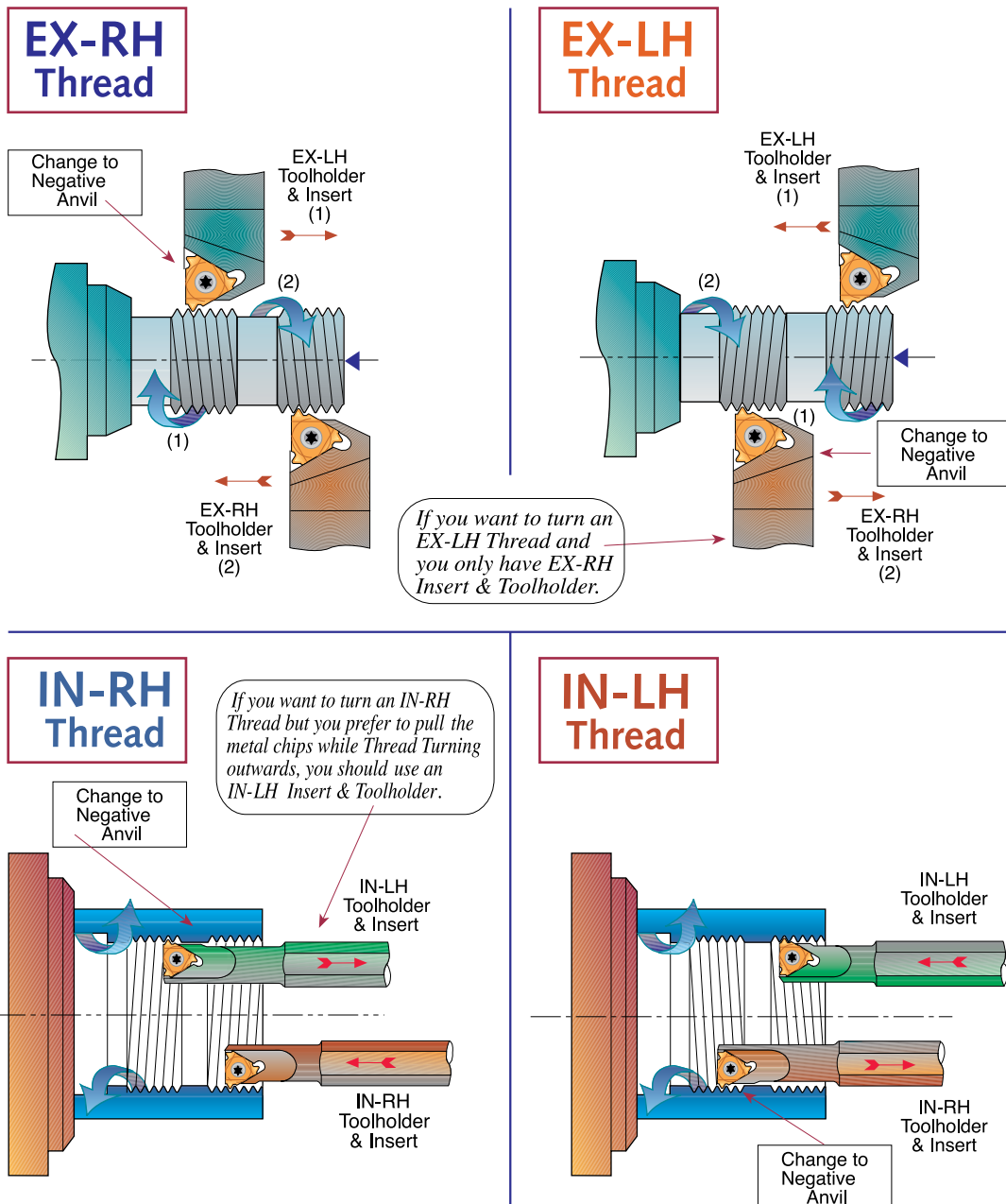
## Number of threading passes selection for single point inserts

Pitch:	mm TPI	0.5 48	0.8 32	1.0 24	1.25 20	1.5 16	1.75 14	2.0 12	2.5 10	3.0 8	4.0 6	6.0 4
Number of Passes		3-6	4-7	4-9	6-10	5-11	9-12	6-13	7-15	8-17	10-20	11-22

### NOTES:

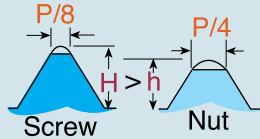
1. For most standard applications the middle of the range is a good starting point.
2. For most materials, the tougher the material, the higher the number of cutting passes you should select.
3. As a general rule of thumb, fewer passes are better than more speed.

## Thread Turning Methods

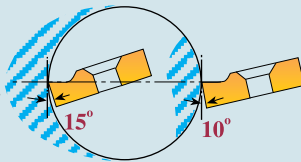


## Important Points about C.P.T. Threading Inserts

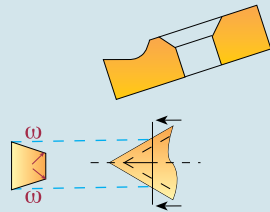
1. In most thread forms internal and external threads have different depth and radii, thus tools are not interchangeable



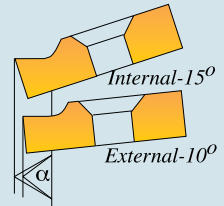
2. The Insert relief angle of a standard C.P.T. external toolholder is 10°; for an internal toolholder it is 15°. This 5° difference is to provide additional necessary radial clearance.



3. Our built-in relief angles ensure automatic insert flank angle clearance.



4. Profiles of C.P.T. internal & external threading inserts are precision ground to ensure accurate thread geometry when used in their corresponding toolholders. Using internal inserts with an external holder will result in distortion of angle and insert geometry.



5. Insert and toolholder should always match. An IN-RH insert must be used with an IN-RH toolholder. No mismatch is allowed.



## Flank Clearance Angle $\omega$

$\omega = 5.8^\circ \quad 5.8^\circ$

$\omega = 2.6^\circ \quad 2.6^\circ$

$\omega = 10^\circ \quad 1.24^\circ$

$\omega = 5.8^\circ \quad 0.5^\circ$

$$\omega = \text{ArcTan} (\text{Tan } \alpha \times \text{Tan } \phi)$$

$\phi = 10^\circ$  for External toolholders

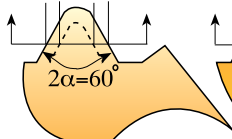
$\omega = 8.8^\circ \quad 8.8^\circ$

$\omega = 4^\circ \quad 4^\circ$

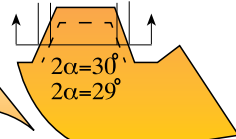
$\omega = 15^\circ \quad 1.9^\circ$

$\omega = 8.8^\circ \quad 0.8^\circ$

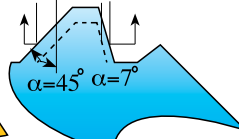
$\phi = 15^\circ$  for Internal toolholders



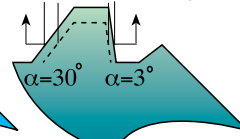
ISO, UN  
PARTIAL 60  
NPT



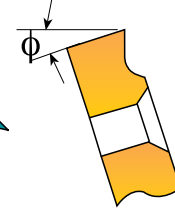
TRAPEZ  
ACME  
STACME



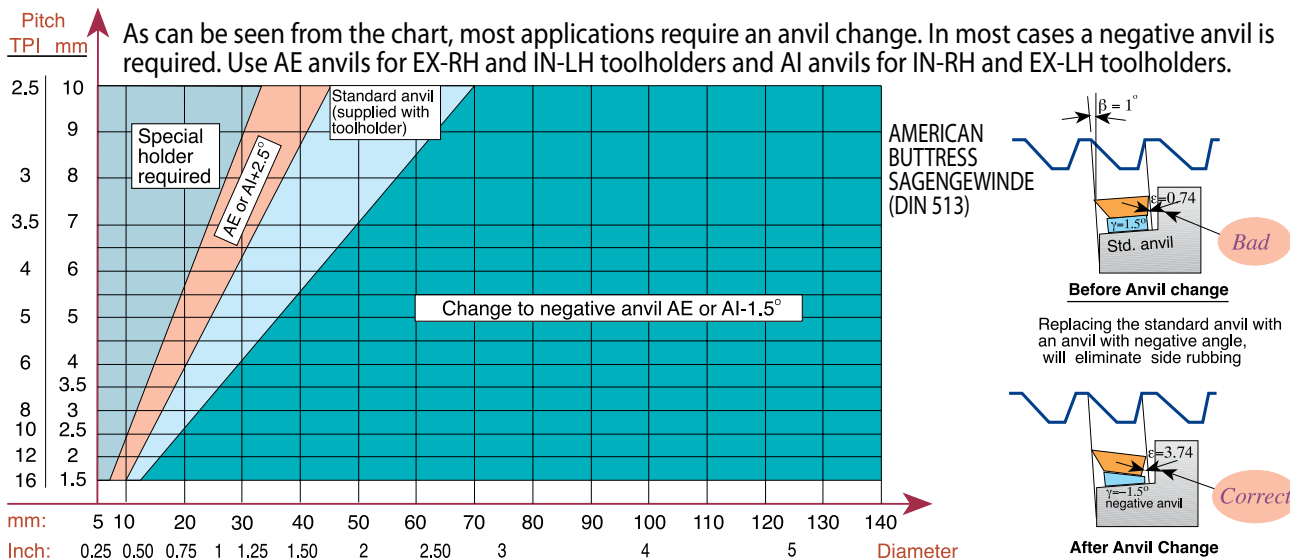
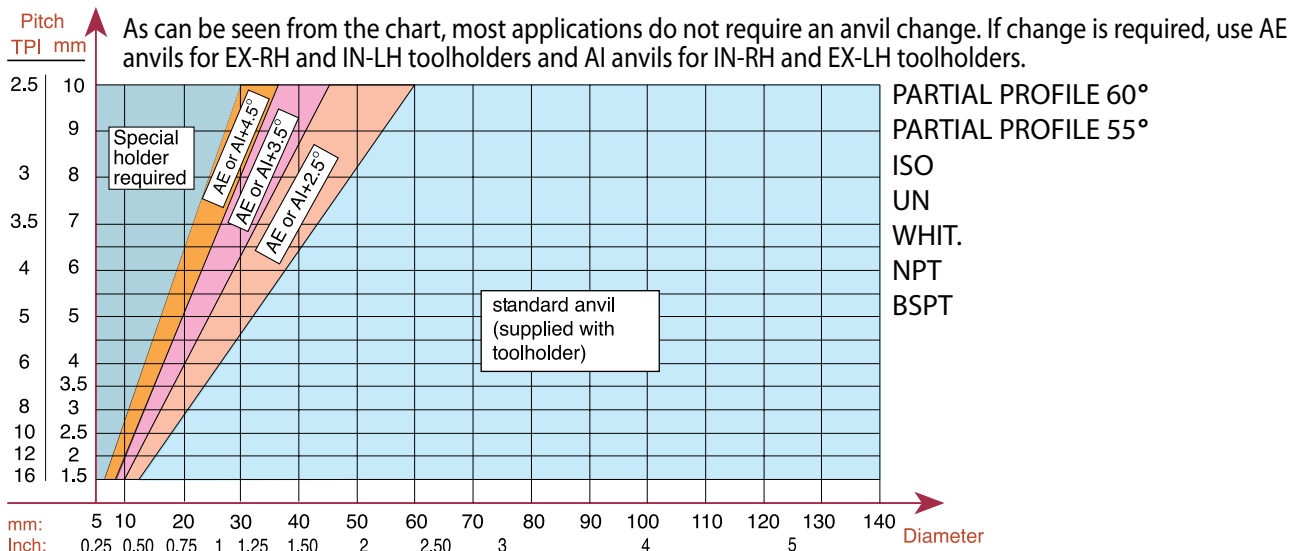
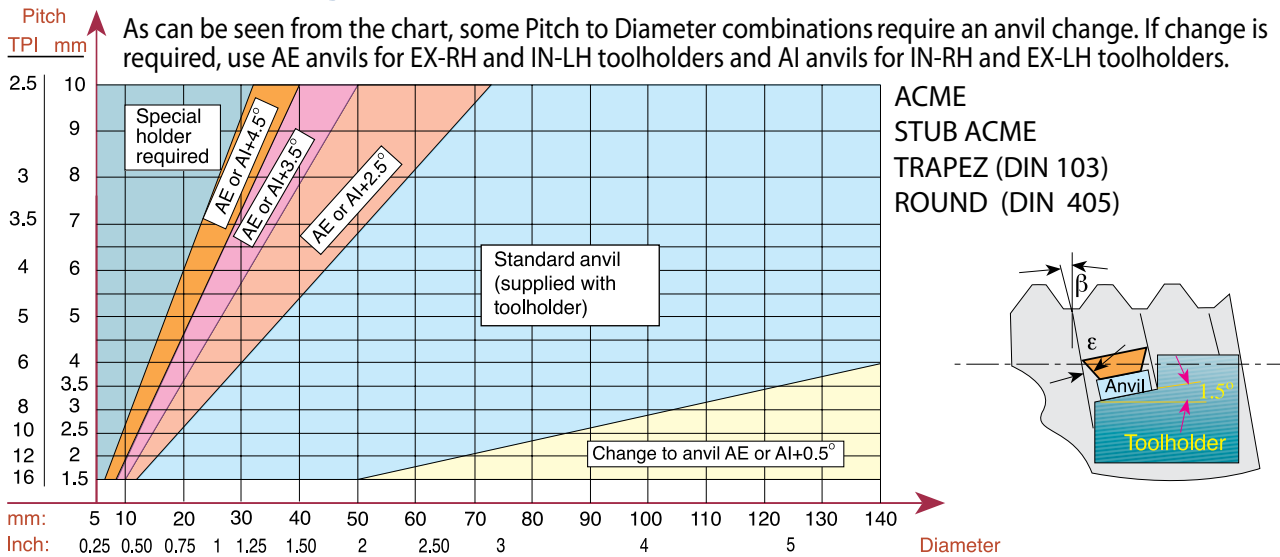
AMERICAN  
BUTTRESS



SAGE  
(DIN 513)



## Anvil Change Recommendation



## Thread Turning - Step by Step

**Step 1 : Choose Thread Turning Method from page 63**

**Step 2 : Choose Insert**

**Step 3 : Choose Toolholder**

**Step 4 : Choose Insert Grade**

**Step 5 : Choose Thread Turning Speed**

**Step 6 : Choose Number of Threading Passes**

In most cases the above mentioned 6 steps would be the steps needed to ensure a good thread. When cutting more complicated threads such as TRAPEZ, ACME, BUTTRESS or SAGE, it is advisable to check the effect of the thread "HELIX ANGLE"  $\beta$  on the "RESULTANT FLANK CLEARANCE"  $\epsilon$ . If  $\epsilon$  is smaller than  $2^\circ$ , an anvil change is required.

**Step 7 : Find Thread Helix Angle**

**Step 8 : Choose Correct Anvil**

### EXAMPLES:

#### Example No. 1:

Step 1: Choose Thread Turning Method from page 63, we chose **EX - RH Insert & Toolholder**

Step 2: Choose Insert from page 9: **16 ER 1.5 ISO**

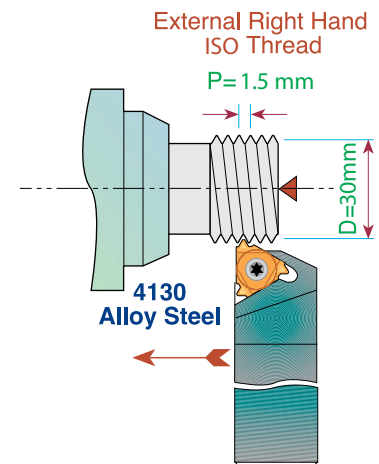
Step 3: Choose Toolholder from page 39: **SER 2020 K16**

Step 4: Choose Insert Grade from selection on page 60  
Our choice for Alloy Steel is Grade **P25C**

Step 5: Choose Thread Turning Speed from chart on page 61,  
we chose **100 m/min**

Rotational Speed calculation: 
$$N = \frac{100 \times 1000}{\pi \times 30} = 1065 \text{ rpm}$$

Step 6: Choose Number of Threading passes from table on page 63, we chose **8 passes**



#### Example No. 2:

Step 1: Choose Thread Turning Method from page 63  
Usually, an IN-RH Toolholder and Insert will be chosen, however, in this particular case we prefer to pull the metal chips while thread turning outward, thus we chose to work with **IN-LH Insert & Toolholder**

Step 2: Choose Insert from page 13: **16 IL 12 UN**

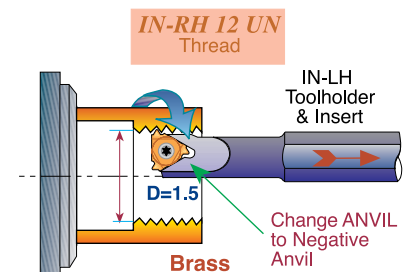
Step 3: Choose Toolholder from page 41: **SIL 0025 R16**  
Note: since we thread cut IN-RH thread outward with an IN-LH tool, do not forget to replace the standard anvil (supplied with the holder) with a negative anvil **AE16-1.5**

Step 4: Choose Insert Grade from selection on page 60  
Our choice for Brass is Grade **K20**

Step 5: Choose Thread Turning Speed from chart on page 61,  
we chose **150 m/min**

Rotational Speed calculation: 
$$N = \frac{150 \times 1000}{\pi \times 38.1} = 1254 \text{ RPM}$$

Step 6: Choose Number of Threading passes from table on page 63, we chose **9 passes**



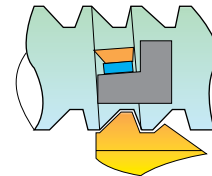


## Example No. 3:

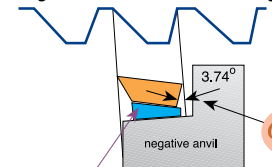
- Step 1: Choose Thread Turning Method from page 63  
We chose EX-RH Insert & Toolholder.
- Step 2: Choose Insert from page 33: **16 ER 12 ABUT**
- Step 3: Choose Toolholder from page 39: **SER 2525 M16**
- Step 4: Choose Insert Grade from selection on page 60  
Our choice for Stainless Steel is Grade **BMA**
- Step 5: Choose Thread Turning Speed from chart on page 61  
We chose 120 m/min.  
Rotational Speed calculation: 
$$N = \frac{120 \times 1000}{\pi \times 40} = 954 \text{ RPM}$$
- Step 6: Choose Number of Threading passes from table on page 63. We chose **13 passes**
- Step 7: Find Thread Helix Angle: on page 48 for Pitch of 12 TPI and 40 Diameter  
Helix Angle as shown in the chart is  $1^\circ$
- Step 8: Choose correct Anvil: As can be seen from the chart on page 65, for AMERICAN BUTTRESS Thread, for 12 TPI and 40 Diameter a negative anvil **AE16-1.5** should replace the standard anvil supplied with the toolholder

EX-RH, AMERICAN BUTTRESS  
12 TPI on 40 mm diameter.

Stainless Steel 304



Replacing the standard anvil with an anvil with negative angle will eliminate side rubbing



Anvil chosen:  
**AE16-1.5**

## Troubleshooting

### Chipping



1. Use a tougher carbide grade
2. Eliminate tool overhang
3. Check if insert is correctly clamped
4. Eliminate vibration

### Crater Wear



1. Reduce cutting speed
2. Apply coolant fluid
3. Use a harder carbide grade

### Build-up Edge



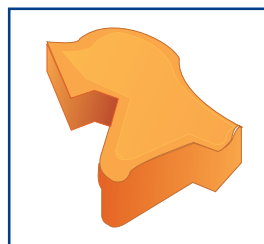
1. Increase cutting speed
2. Use a tougher carbide grade

### Thermal Cracking



1. Reduce cutting speed
2. Apply coolant fluid
3. Use a tougher carbide grade

### Deformation



1. Use a harder carbide grade
2. Reduce cutting speed
3. Reduce depth of cut
4. Apply coolant fluid

### Fracture



1. Use a tougher carbide grade
2. Reduce depth of cut
3. Index insert sooner
4. Check machine and tool stability

## Threading Inserts Standards

Thread Profile	Standard	Thread Class
ISO	DIN 13	6g / 6H
UN	ANSI B1.1-1989	2A / 2B
WHITWORTH	B.S. 84: 1956	Medium Class
NPT	ANSI B1.20.1-1983	-
NPTF	ANSI B1.20.3-1976	-
BSPT	B.S. 21: 1957	-
DIN 477	DIN 477	-
ACME	ANSI B1.5-1988	3G
STUB ACME	ANSI B1.5-1988	2G
TRAPEZ	DIN 103	7e / 7H
ROUND	DIN 405	Class 7
UNJ	MIL-S-8879C	3A / 3B
MJ	ISO 5855	4h/6h 4H/5H
AMERICAN BUTTRESS	ANSI B1.9-1973	Class 2
SAGENGEWINDE	DIN 513	-
PG	DIN 40430	-
V-0.040	API Spec7	-
V-0.038R	API Spec7	-
V-0.050	API Spec7	-
V-0.055	API Spec7	-
API ROUND	API Spec Standard 5B	-
EXTREME – LINE CASING	API Spec Standard 5B	-
BUTTRESS CASING	API Spec Standard 5B	-
VAM	VAM	-

DIN: **Deutsches Institut für Normung**  
 ANSI: **American National Standards Institute**  
 API: **American Petroleum Institute**  
 B.S.: **British Standards**  
 ISO: **International Organisation for Standardisation**  
 MIL-S: **Military Specification**

# Grooving Tools



## A combination of ground profile and sintered chip - breaker

### Advantages:

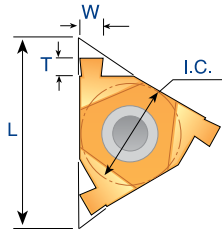
- Same Toolholder for Grooving and Threading
- Minimum Investment in Tooling
- Three Cutting Edges
- Precision Ground

### Contents:

### Page:

Grooving Inserts	70
Grooving Inserts for Snap Ring	70
Grooving Kits	71
Technical Section	72

## Grooving Inserts



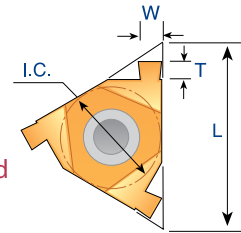
### External & Internal

#### ER / IL

Same insert can be used for EX.RH and for IN.LH.

#### IR / EL

Same insert can be used for IN.RH and for EX.LH.



W ±0.02	T	I.C. in	L mm	Ordering Code		Ordering Code	
				ER/IL Inserts	Anvil	IR/EL Inserts	Anvil
0.50	1.4	1/4	11	<b>11 ER/IL 0.50</b>	-	<b>11 IR/EL 0.50</b>	-
0.60	1.4	1/4	11	<b>11 ER/IL 0.60</b>	-	<b>11 IR/EL 0.60</b>	-
0.70	1.4	1/4	11	<b>11 ER/IL 0.70</b>	-	<b>11 IR/EL 0.70</b>	-
0.80	1.4	1/4	11	<b>11 ER/IL 0.80</b>	-	<b>11 IR/EL 0.80</b>	-
1.00	1.3	1/4	11	<b>11 ER/IL 1.00</b>	-	<b>11 IR/EL 1.00</b>	-
1.20	1.4	1/4	11	<b>11 ER/IL 1.20</b>	-	<b>11 IR/EL 1.20</b>	-
0.50	1.4	3/8	16	<b>16 ER/IL 0.50</b>	AE 16-0	<b>16 IR/EL 0.50</b>	AI 16-0
1.00	1.4	3/8	16	<b>16 ER/IL 1.00</b>	AE 16-0	<b>16 IR/EL 1.00</b>	AI 16-0
1.20	1.6	3/8	16	<b>16 ER/IL 1.20</b>	AE 16-0	<b>16 IR/EL 1.20</b>	AI 16-0
1.40	1.8	3/8	16	<b>16 ER/IL 1.40</b>	AE 16-0	<b>16 IR/EL 1.40</b>	AI 16-0
1.70	2.0	3/8	16	<b>16 ER/IL 1.70</b>	AE 16-0	<b>16 IR/EL 1.70</b>	AI 16-0
1.95	2.0	3/8	16	<b>16 ER/IL 1.95</b>	AE 16-0	<b>16 IR/EL 1.95</b>	AI 16-0
2.25	2.25	3/8	16	<b>16 ER/IL 2.25</b>	AE 16-0	<b>16 IR/EL 2.25</b>	AI 16-0

Order example: 16 ER/IL 1.20 BXC

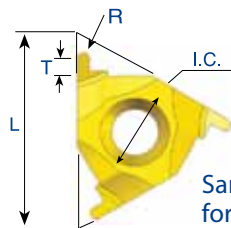
\* The inserts should be used with our standard threading toolholders

\* The anvil must be changed to AE 16-0 or AI 16-0 before using size 16mm (3/8") inserts

\* Size 16 internal holders without anvil can't be used

## Grooving Inserts for Snap Ring

Carbide Grade: BXC



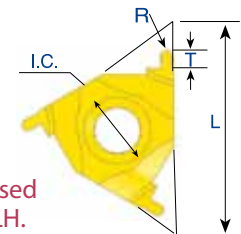
### External & Internal Partial Profile Inserts

#### ER / IL

Same insert can be used for EX.RH and for IN.LH.

#### IR / EL

Same insert can be used for IN.RH and for EX.LH.



R ±0.04	T	I.C. in	L mm	Ordering Code		Ordering Code	
				ER/IL Inserts	Anvil	IR/EL Inserts	Anvil
0.5	1.4	3/8	16	<b>16 ER/IL R0.50</b>	AE 16 - 0	<b>16 IR/EL R0.50</b>	AI 16 - 0
0.6	1.6	3/8	16	<b>16 ER/IL R0.60</b>	AE 16 - 0	<b>16 IR/EL R0.60</b>	AI 16 - 0
0.9	2.0	3/8	16	<b>16 ER/IL R0.90</b>	AE 16 - 0	<b>16 IR/EL R0.90</b>	AI 16 - 0
1.0	2.0	3/8	16	<b>16 ER/IL R1.00</b>	AE 16 - 0	<b>16 IR/EL R1.00</b>	AI 16 - 0
1.1	2.15	3/8	16	<b>16 ER/IL R1.10</b>	AE 16 - 0	<b>16 IR/EL R1.10</b>	AI 16 - 0
1.2	2.25	3/8	16	<b>16 ER/IL R1.20</b>	AE 16 - 0	<b>16 IR/EL R1.20</b>	AI 16 - 0

Order example: 16ER/IL R1.20 BXC

\* The inserts should be used with our standard threading toolholders

\* The anvil must be changed to AE 16-0 or AI 16-0 before using size 16mm (3/8") inserts

\* Size 16 internal holders without anvil can't be used

## Grooving Kits



### ER / IL INSERT KGRO - EXTERNAL

16	ER / IL	1.0	BXC	1 unit
16	ER / IL	1.2	BXC	1 unit
16	ER / IL	1.4	BXC	1 unit
16	ER / IL	1.7	BXC	1 unit
16	ER / IL	1.95	BXC	1 unit
16	ER / IL	2.25	BXC	1 unit
<b>ANVIL AE 16 - 0</b>				<b>1 unit</b>

### IR / EL INSERT KGRO - INTERNAL

16	IR / EL	1.0	BXC	1 unit
16	IR / EL	1.2	BXC	1 unit
16	IR / EL	1.4	BXC	1 unit
16	IR / EL	1.7	BXC	1 unit
16	IR / EL	1.95	BXC	1 unit
16	IR / EL	2.25	BXC	1 unit
<b>ANVIL AI 16 - 0</b>				<b>1 unit</b>

## Technical Section

### Cutting Speeds for Grooving Tools

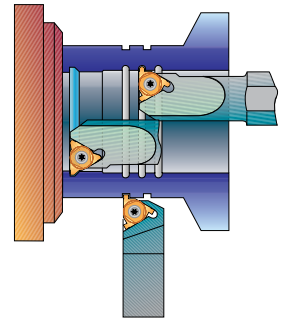
#### Carbide Grades:

**BXC** (P30 - P50, K25 - K40)

PVD TiN coated grade for low cutting speed. Works well with a wide range of stainless steels.

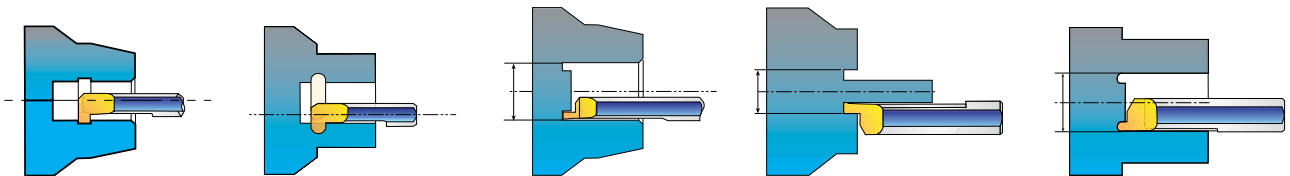
**BMA** (P20 - P40, K20 - K30)

PVD TiAlN coated sub-micrograin grade for stainless steels and exotic materials at medium to high cutting speeds.

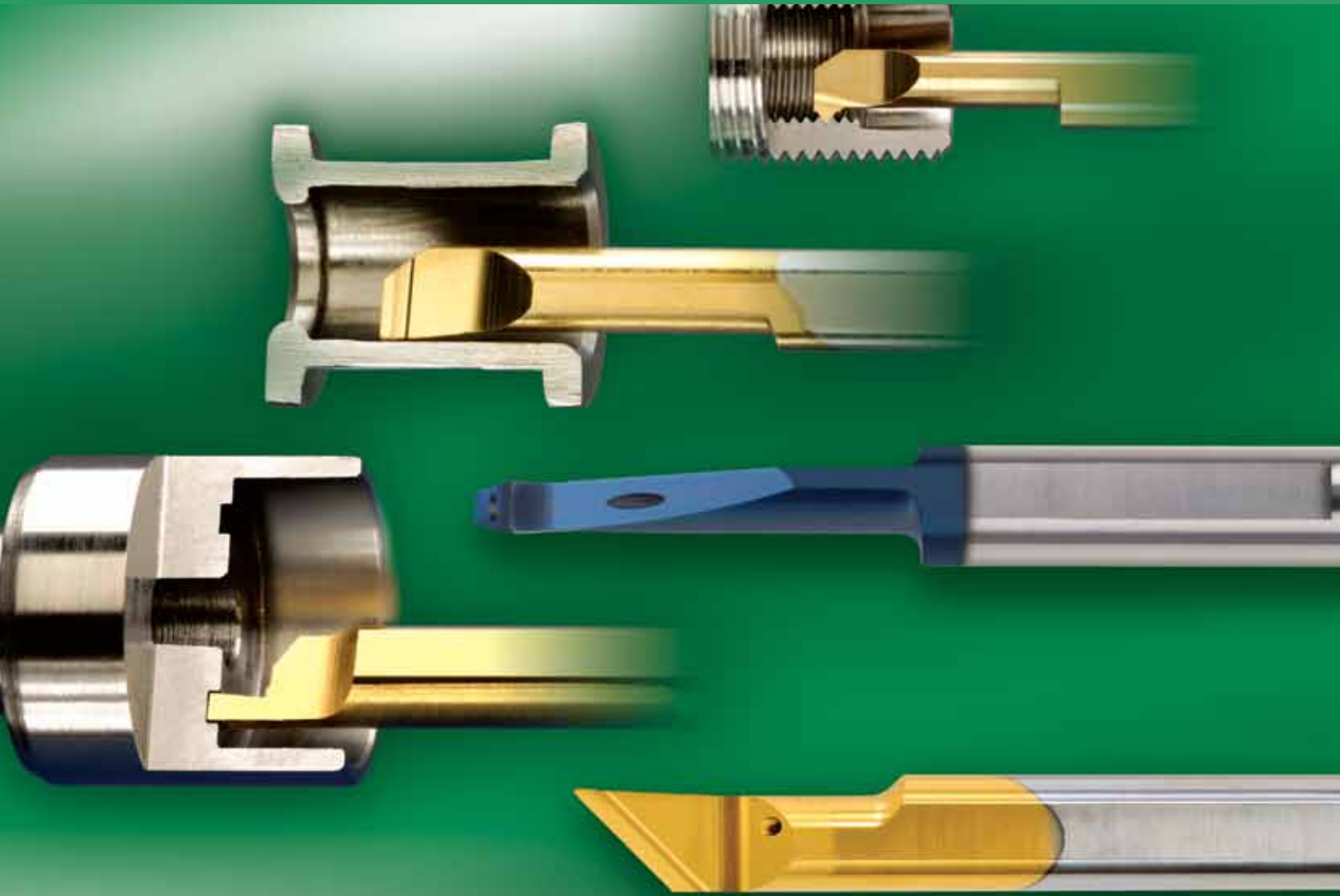


ISO Standard	Materials	Cutting Speed m/min
<b>P</b>	Low & Medium Carbon Steel	20-100
	High Carbon Steel	30- 80
	Alloy Steels and Treated Steels	40- 90
<b>M</b>	Stainless Steels	30- 80
	Cast Steels	30- 90
<b>K</b>	Cast Iron	30- 90
<b>N</b>	Non-Ferrous and Aluminum	20-200

For grooving small bores see pages 89-95



# Tiny Tools



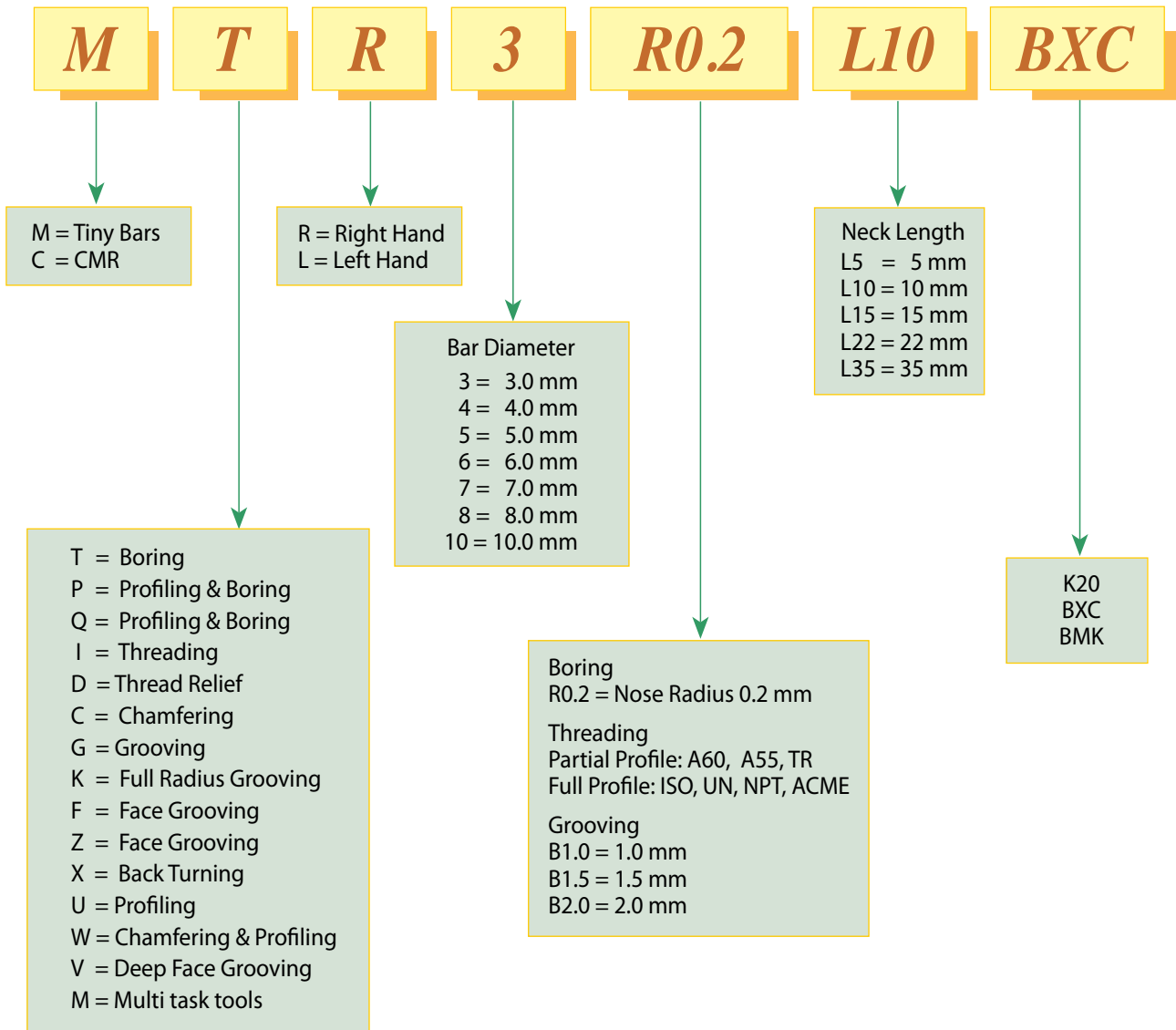
## Solid Carbide tools for working in small bores

These tools are made for the high-tech, medical and small component industry. All tools include through coolant enabling the cooling fluid to reach the cutting edge efficiently, for easy chip removal and smooth cutting operations.

Contents:	Page:	Contents:	Page:
Product Identification	74	MFR Face Grooving Bars	91
MTR Boring Bars	75-76	MFL Face Grooving Bars	92
MXR Back Turning Bars	77	MVR Deep Face Grooving Bars	93
MPR Profiling and Boring Bars	78-79	MZR Face Grooving Bars	94
MUR Profiling, 90° Face Cutting Bars	80	MZL Face Grooving Bars	95
MQR Profiling and Boring Bars	81	CMR	96
MIR Threading Bars	82-85	HK	97
MDR Thread Relief, Chamfering and Grooving	86	Tiny Tools Bar Holders	98-99
MCR Chamfering and Boring Bars	87	Square Shank Holders	100
MWR Chamfering and Profiling Bars	88	Tiny Tools Kits	101
MGR Grooving Bars	89	Tiny Tools Technical Section	102-104
MKR Full Radius Grooving Bars	90		

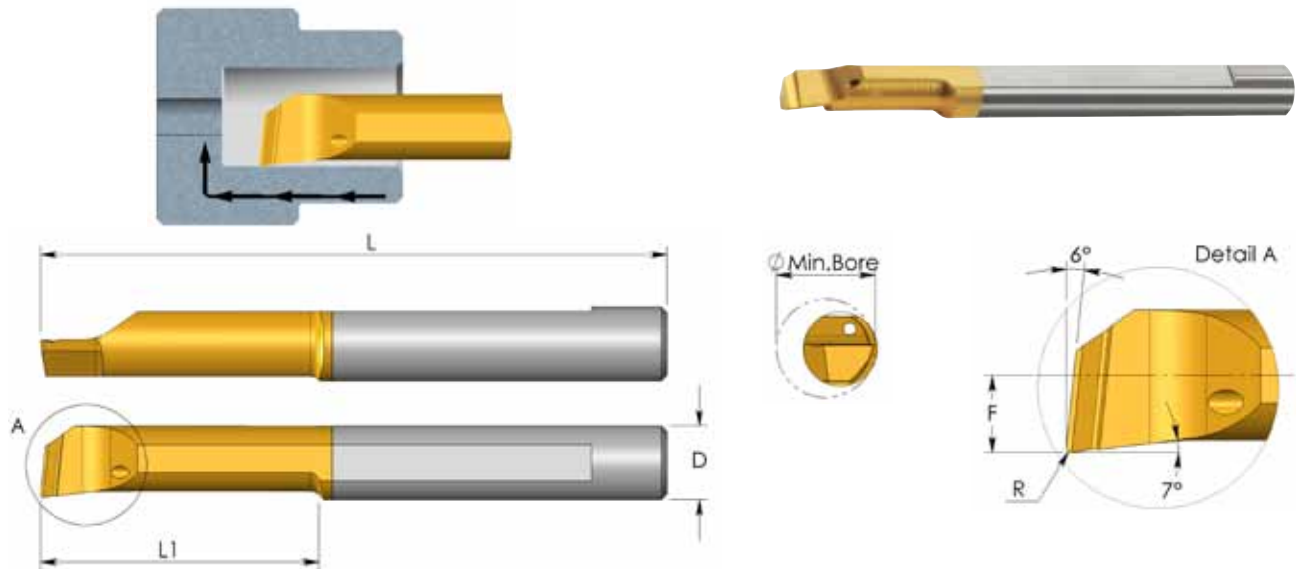
## Product Identification

### Tiny Bars Ordering Codes





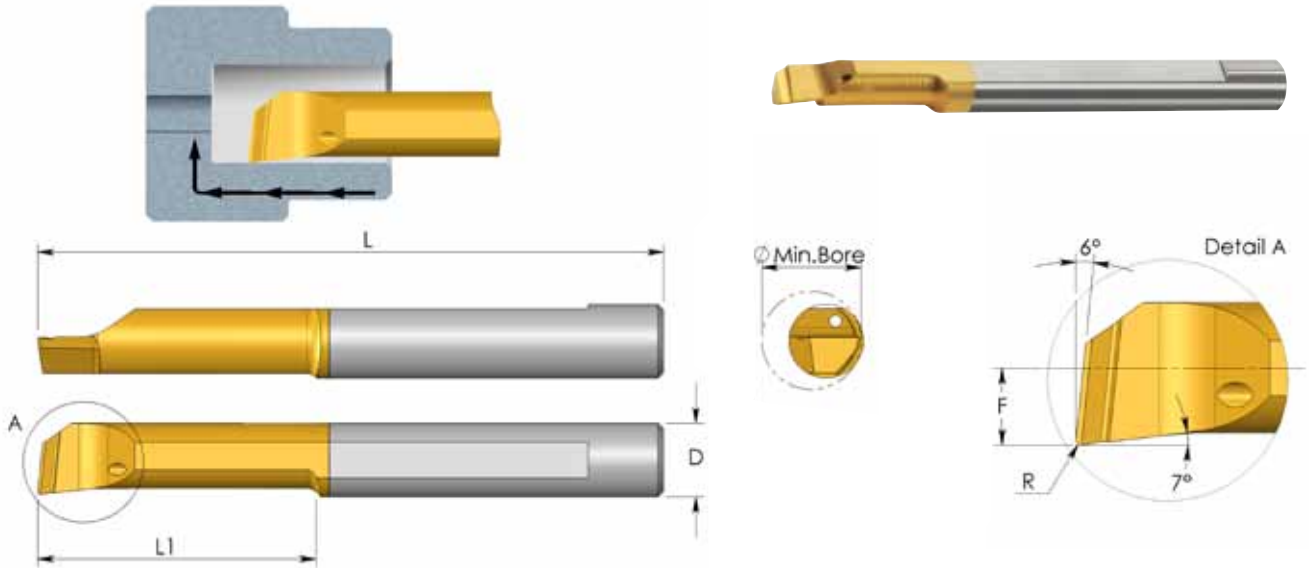
## MTR Bars Boring



D	Ordering Code	L	L1	R	F	Min. Bore Dia.	Holder*
3.0	<b>MTR 1 R0.05 L4</b>	39	4	0.05	0.5	1.0	SIM ... H3
	<b>MTR 1 R0.05 L6</b>	39	6	0.05	0.5	1.0	
	<b>MTR 1.5 R0.1 L6</b>	39	6	0.10	0.7	1.5	
3.0	<b>MTR 2 R0.05 L10</b>	39	10	0.05	0.8	2.1	SIM ... H3
	<b>MTR 2 R0.15 L5</b>	39	5	0.15	0.8	2.1	
	<b>MTR 2 R0.15 L10</b>	39	10	0.15	0.8	2.1	
3.0	<b>MTR 3 R0.05 L10</b>	39	10	0.05	1.3	3.1	SIM ... H3
	<b>MTR 3 R0.05 L15</b>	39	15	0.05	1.3	3.1	
	<b>MTR 3 R0.1 L10</b>	39	10	0.10	1.3	3.1	
	<b>MTR 3 R0.1 L15</b>	39	15	0.10	1.3	3.1	
	<b>MTR 3 R0.2 L10</b>	39	10	0.20	1.3	3.1	
	<b>MTR 3 R0.2 L15</b>	39	15	0.20	1.3	3.1	
4.0	<b>MTR 4 R0.05 L15</b>	51	15	0.05	1.7	4.1	SIM ... H4
	<b>MTR 4 R0.1 L10</b>	51	10	0.10	1.7	4.1	
	<b>MTR 4 R0.1 L15</b>	51	15	0.10	1.7	4.1	
	<b>MTR 4 R0.1 L22</b>	51	22	0.10	1.7	4.1	
	<b>MTR 4 R0.2 L10</b>	51	10	0.20	1.7	4.1	
	<b>MTR 4 R0.2 L15</b>	51	15	0.20	1.7	4.1	
	<b>MTR 4 R0.2 L22</b>	51	22	0.20	1.7	4.1	
	<b>MTR 4 R0.2 L30</b>	59	30	0.20	1.7	4.1	

\* For additional holders see page 100

## MTR Bars Boring



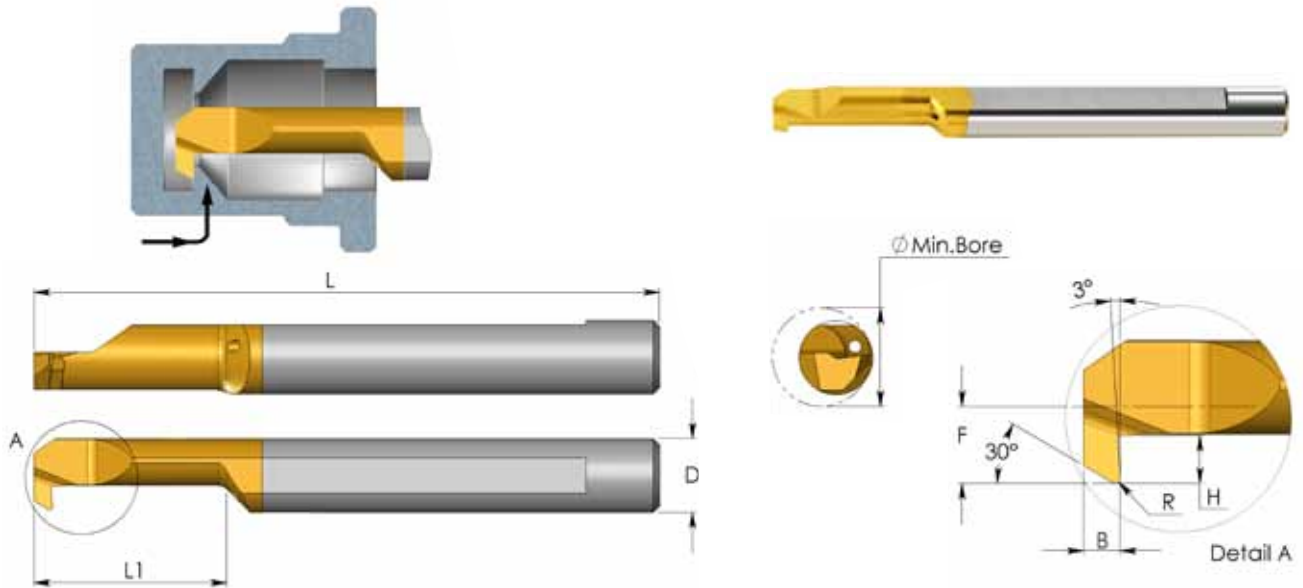
D	Ordering Code	L	L1	R	F	Min. Bore Dia.	Holder*
5.0	<b>MTR 5 R0.05 L15</b>	51	15	0.05	2.1	5.1	SIM ... H5
	<b>MTR 5 R0.1 L15</b>	51	15	0.10	2.1	5.1	
	<b>MTR 5 R0.1 L22</b>	51	22	0.10	2.1	5.1	
	<b>MTR 5 R0.1 L30</b>	76	30	0.10	2.1	5.1	
	<b>MTR 5 R0.2 L15</b>	51	15	0.20	2.1	5.1	
	<b>MTR 5 R0.2 L22</b>	51	22	0.20	2.1	5.1	
	<b>MTR 5 R0.2 L30</b>	76	30	0.20	2.1	5.1	
6.0	<b>MTR 6 R0.05 L15</b>	51	15	0.05	2.8	6.1	SIM ... H6
	<b>MTR 6 R0.05 L22</b>	51	22	0.05	2.8	6.1	
	<b>MTR 6 R0.1 L15</b>	51	15	0.10	2.8	6.1	
	<b>MTR 6 R0.1 L22</b>	51	22	0.10	2.8	6.1	
	<b>MTR 6 R0.2 L15</b>	51	15	0.20	2.8	6.1	
	<b>MTR 6 R0.2 L22</b>	51	22	0.20	2.8	6.1	
	<b>MTR 6 R0.2 L30</b>	58	30	0.20	2.8	6.1	
7.0	<b>MTR 7 R0.2 L22</b>	62	22	0.20	3.3	7.1	SIM ... H7
	<b>MTR 7 R0.2 L30</b>	62	30	0.20	3.3	7.1	
	<b>MTR 8 R0.2 L15</b>	64	15	0.20	3.8	8.1	
8.0	<b>MTR 8 R0.2 L22</b>	64	22	0.20	3.8	8.1	
	<b>MTR 8 R0.2 L35</b>	76	35	0.20	3.8	8.1	
10.0	<b>MTR10R0.2 L35</b>	73	35	0.20	4.8	10.1	SIM ... H10

Order example: MTR 4 R0.2 L15 BXC

For L.H. bars specify **MTL** instead of **MTR**

\* For additional holders see page 100

## MXR Bars Back Turning



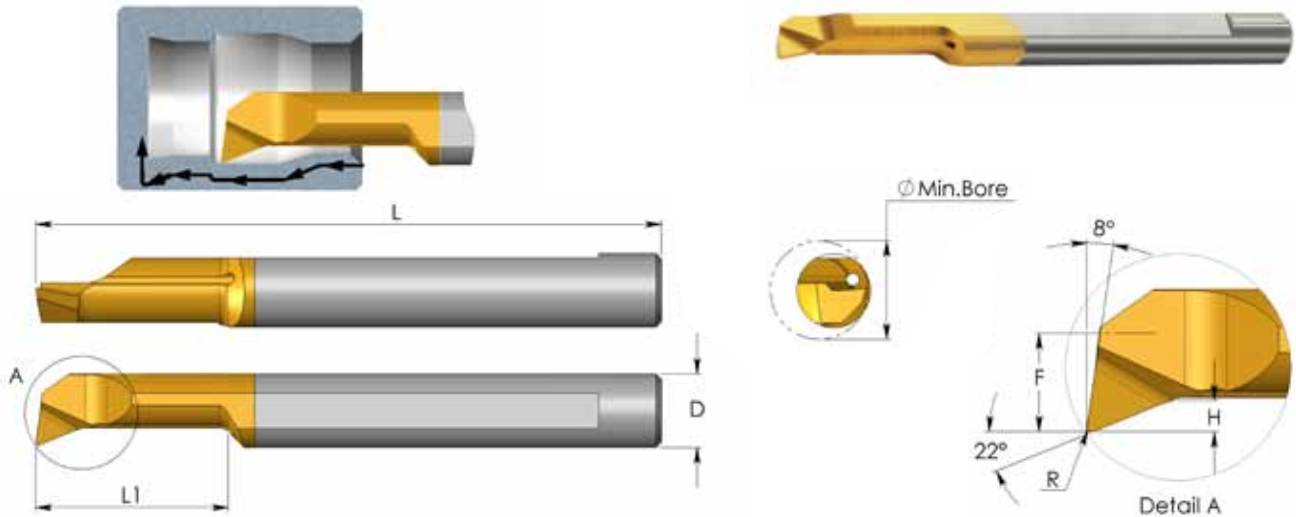
D	Ordering Code	L	L1	B	R	H	F	Min. Bore Dia.	Holder*
4.0	<b>MXR 4 R0.1 L10</b>	51	10	1.3	0.10	0.5	1.3	3.1	SIM ... H4
4.0	<b>MXR 4 R0.15 L10</b>	51	10	1.3	0.15	0.8	1.7	4.1	SIM ... H4
	<b>MXR 4 R0.15 L15</b>	51	15	1.3	0.15	0.8	1.7	4.1	
5.0	<b>MXR 5 R0.2 L15</b>	51	15	1.5	0.20	1.0	2.3	5.1	SIM ... H5
	<b>MXR 5 R0.2 L22</b>	51	22	1.5	0.20	1.0	2.3	5.1	
6.0	<b>MXR 6 R0.2 L15</b>	51	15	1.5	0.20	1.8	2.8	6.1	SIM ... H6
	<b>MXR 6 R0.2 L22</b>	51	22	1.5	0.20	1.8	2.8	6.1	

Order example: MXR 4 R0.15 L15 BXC

For L.H. bars specify **MXL** instead of **MXR**

\* For additional holders see page 100

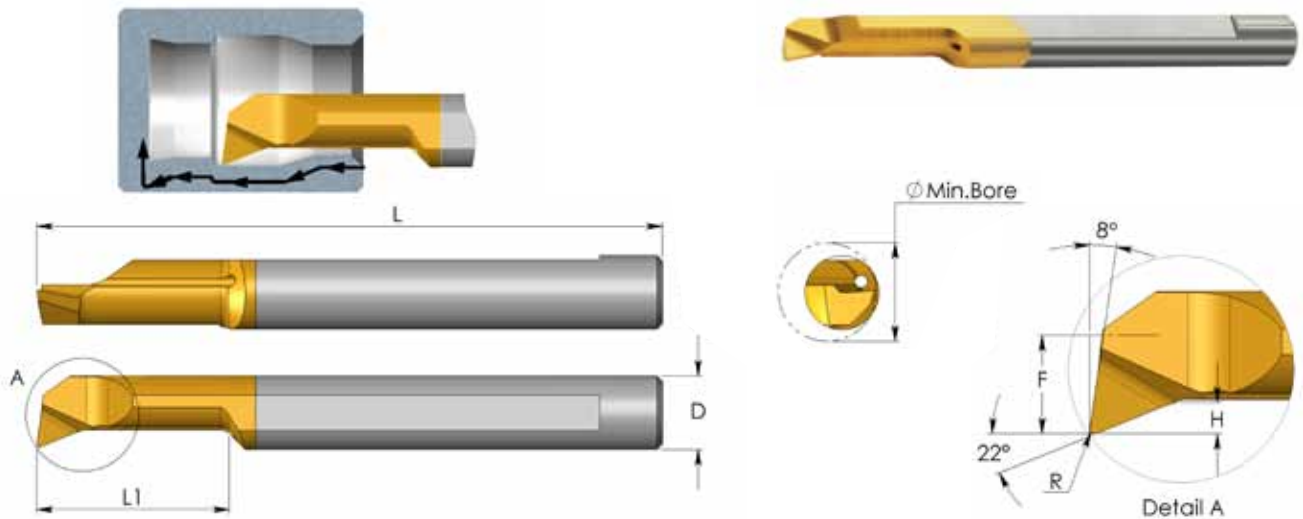
## MPR Bars Profiling and Boring



D	Ordering Code	L	L1	R	H	F	Min. Bore Dia.	Holder*
3.0	<b>MPR 1 R0.05 L4</b>	39	4	0.05	0.2	0.5	1.0	SIM ... H3
	<b>MPR 1 R0.05 L8</b>	39	8	0.05	0.2	0.5	1.0	
3.0	<b>MPR 1.5 R0.05 L10</b>	39	10	0.05	0.3	0.7	1.5	SIM ... H3
	<b>MPR 1.5 R0.1 L6</b>	39	6	0.10	0.3	0.7	1.5	
	<b>MPR 1.5 R0.1 L10</b>	39	10	0.10	0.3	0.7	1.5	
3.0	<b>MPR 2 R0.05 L10</b>	39	10	0.05	0.5	0.8	2.1	SIM ... H3
	<b>MPR 2 R0.1 L10</b>	39	10	0.10	0.5	0.8	2.1	
	<b>MPR 2 R0.15 L5</b>	39	5	0.15	0.5	0.8	2.1	
	<b>MPR 2 R0.15 L10</b>	39	10	0.15	0.5	0.8	2.1	
	<b>MPR 2 R0.15 L15</b>	39	15	0.15	0.5	0.8	2.1	
3.0	<b>MPR 3 R0.05 L10</b>	39	10	0.05	0.7	1.3	3.1	SIM ... H3
	<b>MPR 3 R0.05 L15</b>	39	15	0.05	0.7	1.3	3.1	
	<b>MPR 3 R0.1 L15</b>	39	15	0.10	0.7	1.3	3.1	
	<b>MPR 3 R0.1 L22</b>	47	22	0.10	0.7	1.3	3.1	
	<b>MPR 3 R0.2 L10</b>	39	10	0.20	0.7	1.3	3.1	
	<b>MPR 3 R0.2 L15</b>	39	15	0.20	0.7	1.3	3.1	
	<b>MPR 3 R0.2 L22</b>	47	22	0.20	0.7	1.3	3.1	
4.0	<b>MPR 4 R0.1 L10</b>	51	10	0.10	0.8	1.7	4.1	SIM ... H4
	<b>MPR 4 R0.1 L15</b>	51	15	0.10	0.8	1.7	4.1	
	<b>MPR 4 R0.1 L22</b>	51	22	0.10	0.8	1.7	4.1	
	<b>MPR 4 R0.2 L10</b>	51	10	0.20	0.8	1.7	4.1	
	<b>MPR 4 R0.2 L15</b>	51	15	0.20	0.8	1.7	4.1	
	<b>MPR 4 R0.2 L22</b>	51	22	0.20	0.8	1.7	4.1	

\* For additional holders see page 100

## MPR Bars Profiling and Boring



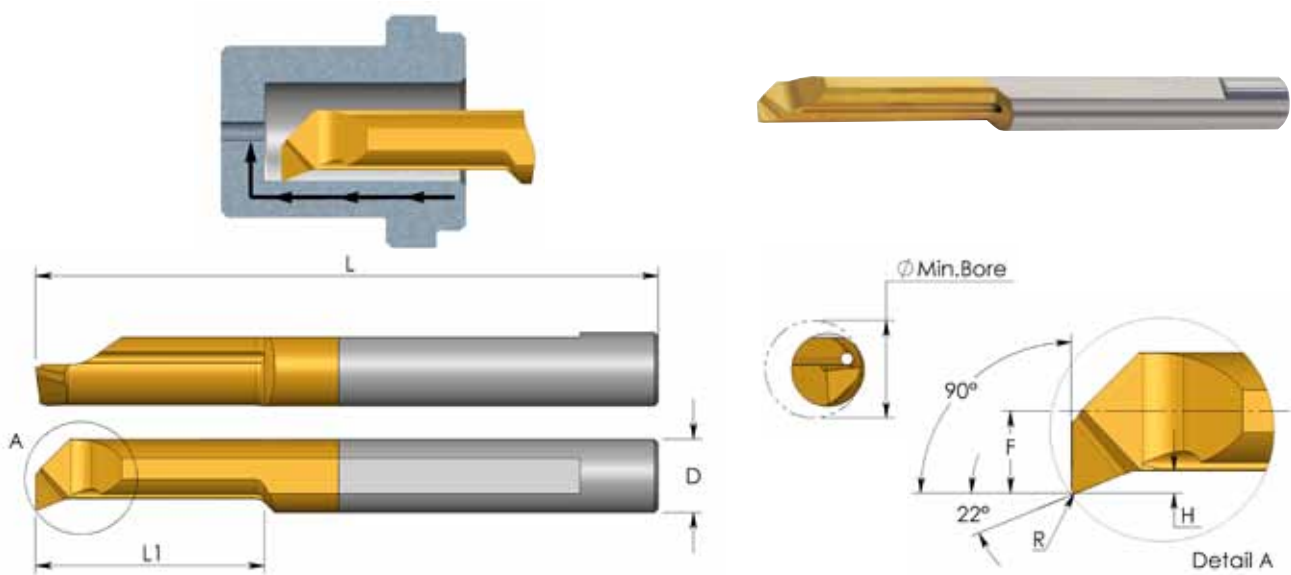
D	Ordering Code	L	L1	R	H	F	Min. Bore Dia.	Holder*
5.0	<b>MPR 5 R0.1 L22</b>	51	22	0.10	1.2	2.1	5.1	SIM ... H5
	<b>MPR 5 R0.1 L30</b>	76	30	0.10	1.2	2.1	5.1	
	<b>MPR 5 R0.2 L10</b>	51	10	0.20	1.2	2.1	5.1	
	<b>MPR 5 R0.2 L15</b>	51	15	0.20	1.2	2.1	5.1	
	<b>MPR 5 R0.2 L22</b>	51	22	0.20	1.2	2.1	5.1	
	<b>MPR 5 R0.2 L30</b>	76	30	0.20	1.2	2.1	5.1	
6.0	<b>MPR 6 R0.2 L15</b>	51	15	0.20	1.4	2.8	6.1	SIM ... H6
	<b>MPR 6 R0.2 L22</b>	51	22	0.20	1.4	2.8	6.1	
	<b>MPR 6 R0.2 L30</b>	76	30	0.20	1.4	2.8	6.1	
7.0	<b>MPR 7 R0.2 L22</b>	62	22	0.20	1.5	3.3	7.1	SIM ... H7
	<b>MPR 7 R0.2 L30</b>	62	30	0.20	1.5	3.3	7.1	
	<b>MPR 7 R0.2 L35</b>	62	35	0.20	1.5	3.3	7.1	
8.0	<b>MPR 8 R0.2 L15</b>	64	15	0.20	1.6	3.8	8.1	SIM ... H8
	<b>MPR 8 R0.2 L22</b>	64	22	0.20	1.6	3.8	8.1	
	<b>MPR 8 R0.2 L35</b>	76	35	0.20	1.6	3.8	8.1	
10.0	<b>MPR 10 R0.2 L35</b>	73	35	0.20	2.0	4.8	10.1	SIM ... H10

Order example: MPR 4 R0.2 L15 BXC

For L.H. Bars specify MPL instead of MPR

\* For additional holders see page 100

## MUR Bars Profiling, 90° Face Cutting



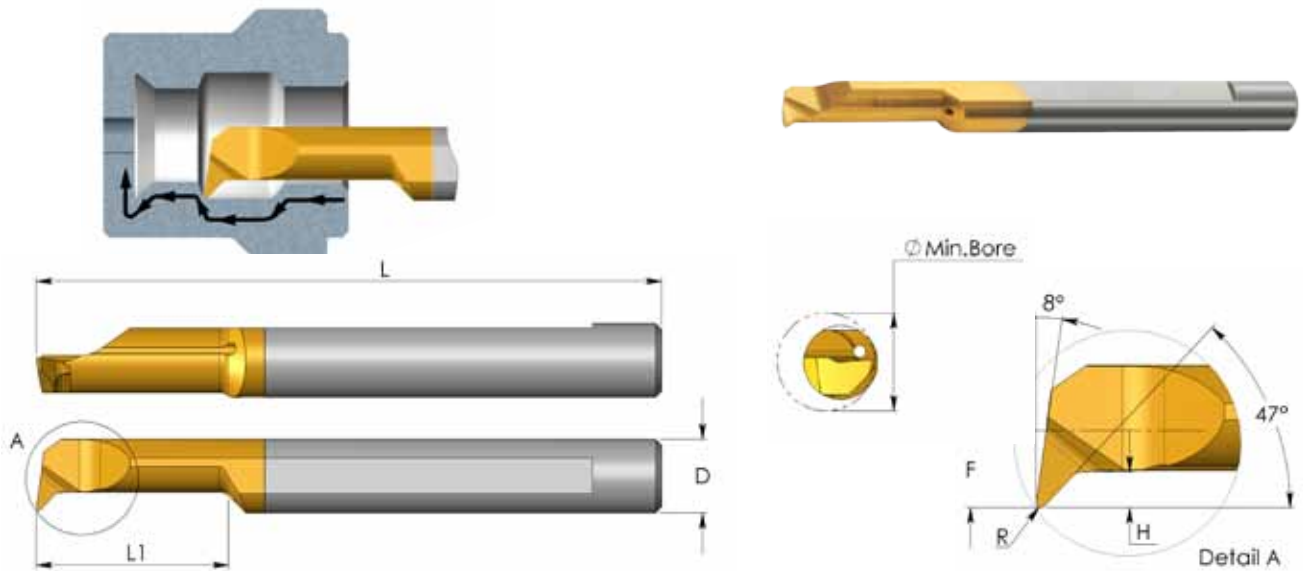
D	Ordering Code	L	L1	R	H	F	Min. Bore Dia.	Holder*
3.0	<b>MUR 3 R0.05 L10</b>	39	10	0.05	0.4	1.3	3.1	SIM ... H3
	<b>MUR 3 R0.05 L15</b>	39	15	0.05	0.4	1.3	3.1	
4.0	<b>MUR 4 R0.1 L10</b>	51	10	0.10	0.5	1.7	4.1	SIM ... H4
	<b>MUR 4 R0.1 L15</b>	51	15	0.10	0.5	1.7	4.1	
5.0	<b>MUR 5 R0.15 L15</b>	51	15	0.15	0.7	2.1	5.1	SIM ... H5
	<b>MUR 5 R0.15 L22</b>	51	22	0.15	0.7	2.1	5.1	
6.0	<b>MUR 6 R0.15 L15</b>	51	15	0.15	0.9	2.8	6.1	SIM ... H6
	<b>MUR 6 R0.15 L22</b>	51	22	0.15	0.9	2.8	6.1	
8.0	<b>MUR 8 R0.2 L22</b>	64	22	0.20	1.1	3.8	8.1	SIM ... H8

Order example: MUR 5 R0.15 L15 BXC

For L.H. bars specify MUL instead of MUR

\* For additional holders see page 100

## MQR Bars Profiling and Boring



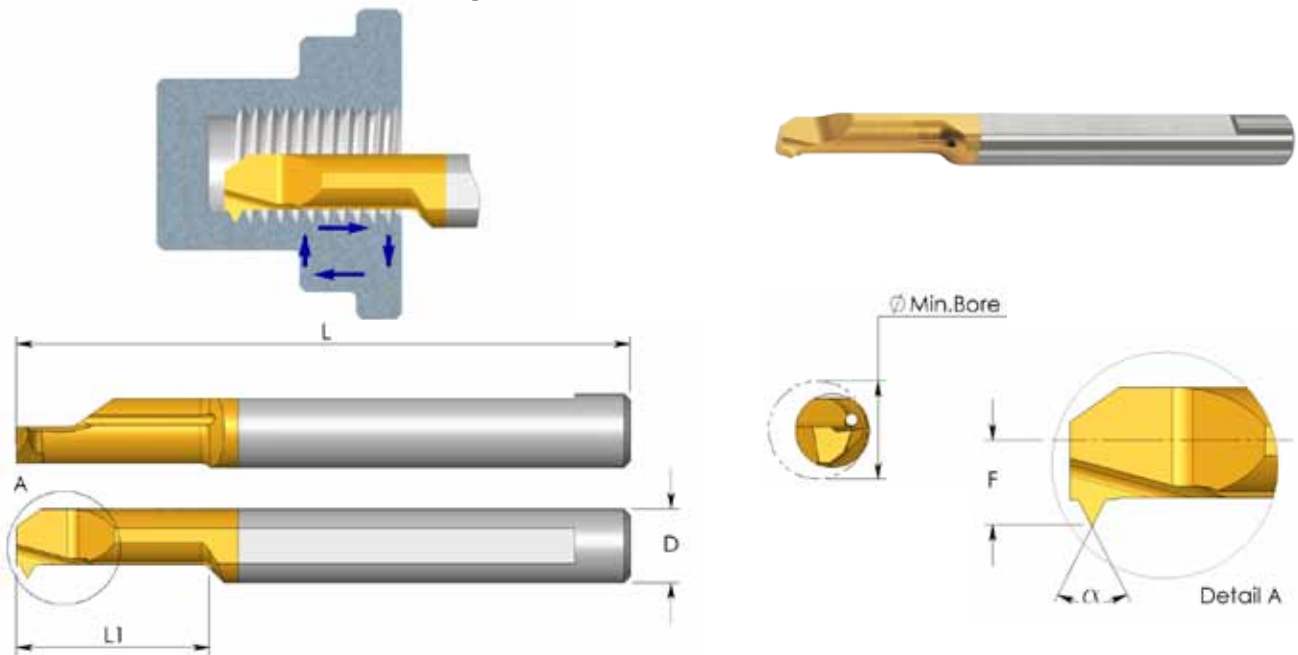
D	Ordering Code	L	L1	R	H	F	Min. Bore Dia.	Holder*
4.0	<b>MQR 4 R0.1 L22</b>	51	22	0.10	0.8	1.8	4.1	SIM ... H4
	<b>MQR 4 R0.2 L10</b>	51	10	0.20	0.8	1.8	4.1	
	<b>MQR 4 R0.2 L15</b>	51	15	0.20	0.8	1.8	4.1	
	<b>MQR 4 R0.2 L22</b>	51	22	0.20	0.8	1.8	4.1	
5.0	<b>MQR 5 R0.2 L15</b>	51	15	0.20	1.0	2.3	5.1	SIM ... H5
	<b>MQR 5 R0.2 L22</b>	51	22	0.20	1.0	2.3	5.1	
6.0	<b>MQR 6 R0.2 L15</b>	51	15	0.20	1.4	2.8	6.1	SIM ... H6
	<b>MQR 6 R0.2 L22</b>	51	22	0.20	1.4	2.8	6.1	
	<b>MQR 6 R0.2 L30</b>	58	30	0.20	1.4	2.8	6.1	
8.0	<b>MQR 8 R0.2 L22</b>	64	22	0.20	1.6	3.8	8.1	SIM ... H8
	<b>MQR 8 R0.2 L27</b>	64	27	0.20	2.0	3.8	8.1	

Order example: MQR 5 R0.2 L15 BXC

For L.H. bars specify MQR instead of MQL

\* For additional holders see page 100

## MIR Bars Threading



### Partial Profile 55°

D	Ordering Code	L	L1	$\alpha$	Pitch Range		F	Min. Bore Dia.	Holder*
					mm	TPI			
3.0	<a href="#">MIR 3 L15 A55</a>	39	15	55	0.5 - 1.0	48 - 24	1.4	3.2	SIM ... H3
4.0	<a href="#">MIR 4 L15 A55</a>	51	15	55	0.5 - 1.0	48 - 24	1.8	4.1	SIM ... H4
5.0	<a href="#">MIR 5 L15 A55</a>	51	15	55	0.5 - 1.25	48 - 20	2.3	5.1	SIM ... H5
	<a href="#">MIR 5 L22 A55</a>	51	22	55	0.5 - 1.25	48 - 20	2.3	5.1	
6.0	<a href="#">MIR 6 L15 A55</a>	51	15	55	0.5 - 1.5	48 - 16	2.6	6.0	SIM ... H6
	<a href="#">MIR 6 L22 A55</a>	51	22	55	0.5 - 1.5	48 - 16	2.6	6.0	

Order example: [MIR 5 L15 A55 BXC](#)

### Partial Profile 60°

D	Ordering Code	L	L1	$\alpha$	Pitch Range		F	Min. Bore Dia.	Holder*
					mm	TPI			
3.0	<a href="#">MIR 1 L5 A60</a>	39	4.8	60	0.25 - 0.35	100 - 72	0.55	1.2	SIM ... H3
	<a href="#">MIR 1.5 L6 A60</a>	39	6.3	60	0.35 - 0.45	72 - 56	0.65	1.4	
3.0	<a href="#">MIR 2 L8 A60</a>	39	8	60	0.45 - 0.7	56 - 32	1.0	2.1	SIM ... H3
3.0	<a href="#">MIR 3 L15 A60</a>	39	15	60	0.7 - 1.0	32 - 24	1.4	3.2	SIM ... H3
4.0	<a href="#">MIR 4 L15 A60</a>	51	15	60	0.8 - 1.0	32 - 24	1.8	4.1	SIM ... H4
5.0	<a href="#">MIR 5 L15 A60</a>	51	15	60	1.0 - 1.25	24 - 20	2.3	5.1	SIM ... H5
	<a href="#">MIR 5 L22 A60</a>	51	22	60	1.0 - 1.25	24 - 20	2.3	5.1	
6.0	<a href="#">MIR 6 L15 A60</a>	51	15	60	1.0 - 1.5	24 - 16	2.6	6.0	SIM ... H6
	<a href="#">MIR 6 L22 A60</a>	51	22	60	1.0 - 1.5	24 - 16	2.6	6.0	
8.0	<a href="#">MIR 8 L22 A60</a>	64	22	60	1.0 - 2.0	24 - 13	3.6	8.0	SIM ... H8

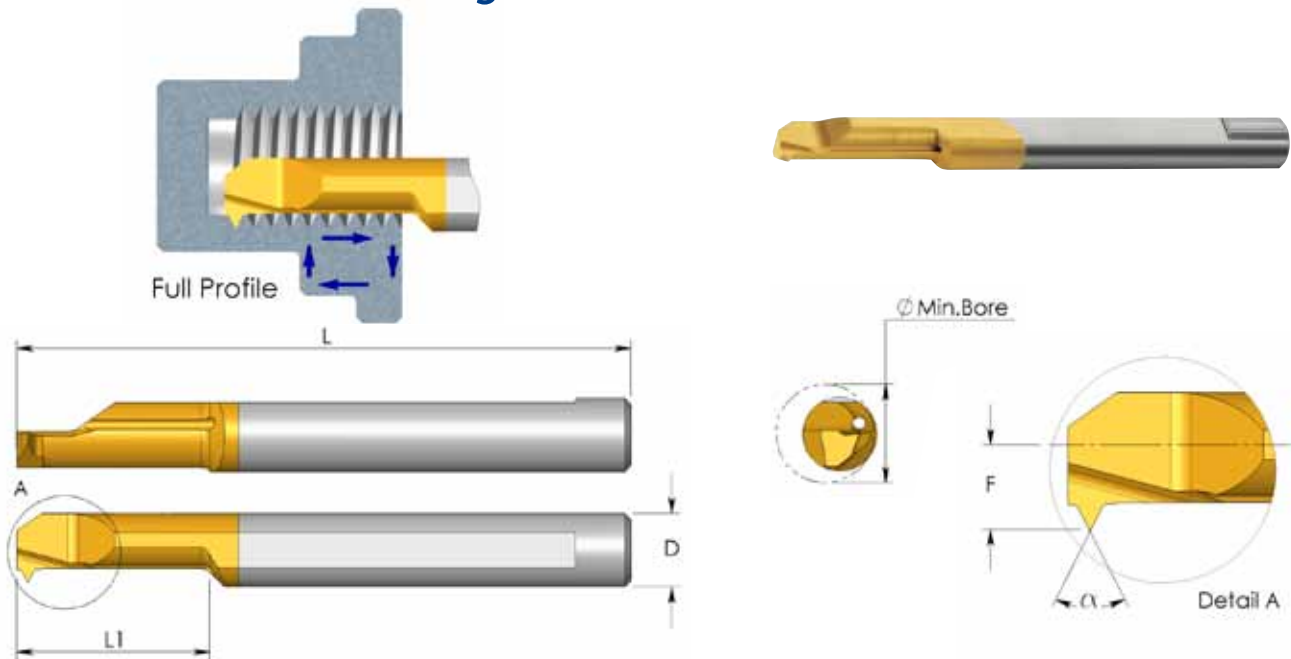
Order example: [MIR 5 L15 A60 BXC](#)

For L.H. bars specify MIL instead of MIR

\* For additional holders see page 100



## MIR Bars Threading



### Full Profile - ISO 60°

D	Ordering Code	Thread	L	L1	F	Min. Bore Dia.	Holder*
3.0	<a href="#">MIR 3 L10 0.5ISO</a>	M3x0.5	39	10	1.0	2.4	SIM ... H3
3.0	<a href="#">MIR 3 L15 0.5 ISO</a>	M4 x 0.5	39	15	1.4	3.2	
	<a href="#">MIR 3 L15 0.7 ISO</a>	M4 x 0.7	39	15	1.4	3.2	
	<a href="#">MIR 3 L15 0.75 ISO</a>	M4.5 x 0.75	39	15	1.4	3.2	
4.0	<a href="#">MIR 4 L15 0.5 ISO</a>	M5 x 0.5	51	15	1.8	4.1	SIM ... H4
	<a href="#">MIR 4 L15 0.75 ISO</a>	M5 x 0.75	51	15	1.8	4.1	
	<a href="#">MIR 4 L15 0.8 ISO</a>	M5 x 0.8	51	15	1.8	4.1	
5.0	<a href="#">MIR 5 L15 1.0 ISO</a>	M6 x 1.0	51	15	2.2	4.9	SIM ... H5
6.0	<a href="#">MIR 6 L22 1.25 ISO</a>	M8 x 1.25	51	22	2.8	6.1	SIM ... H6

Order example: MIR 5 L15 1.0 ISO BXC

### Full Profile - UN 60°

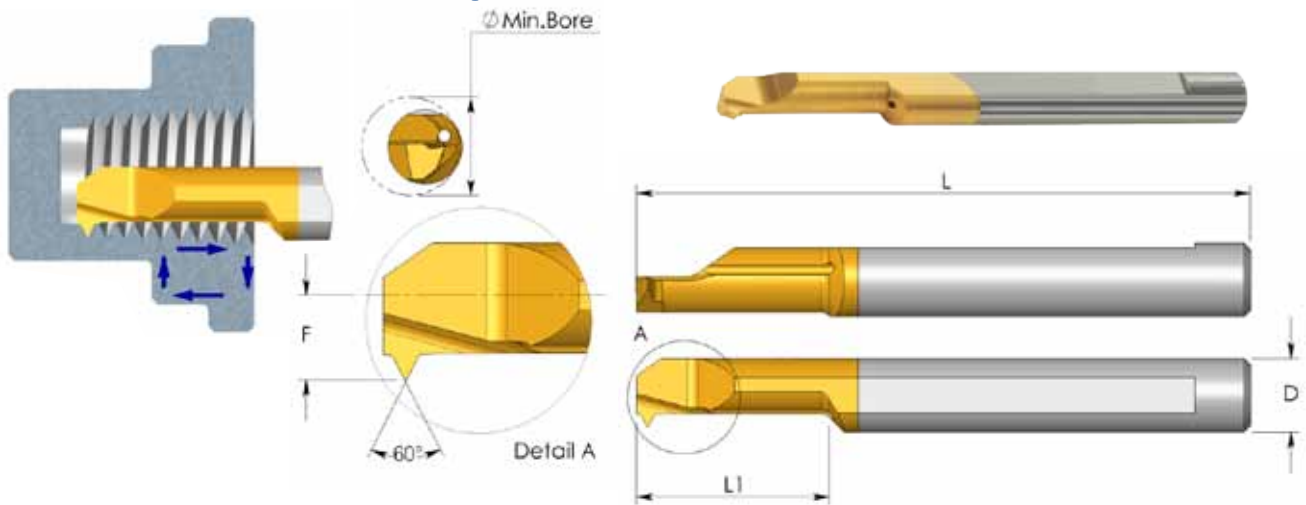
D	Ordering Code	Thread	L	L1	F	Min. Bore Dia.	Holder*
3.0	<a href="#">MIR 3 L10 32 UN</a>	6-32 UNC	39	10	1.0	2.7	SIM ... H3
3.0	<a href="#">MIR 3 L15 36 UN</a>	8-36 UNF	39	15	1.4	3.2	
	<a href="#">MIR 3 L15 32 UN</a>	8-32 UNC	39	15	1.4	3.2	
4.0	<a href="#">MIR 4 L15 36 UN</a>	12-36 UNS	51	15	1.8	4.1	SIM ... H4
	<a href="#">MIR 4 L15 32 UN</a>	12-32 UNEF	51	15	1.8	4.1	
5.0	<a href="#">MIR 5 L15 28 UN</a>	1/4-28 UNF	51	15	2.2	4.9	SIM ... H5
	<a href="#">MIR 5 L18 20 UN</a>	1/4-20 UNC	51	18	2.3	5.0	
6.0	<a href="#">MIR 6 L18 24 UN</a>	5/16-24UNF	51	18	2.8	6.5	SIM ... H6
	<a href="#">MIR 6 L18 18 UN</a>	5/16-18UNC	51	18	2.8	6.2	

Order example: MIR 4 L15 36 UN BXC

For L.H. bars specify MIL instead of MIR

\* For additional holders see page 100

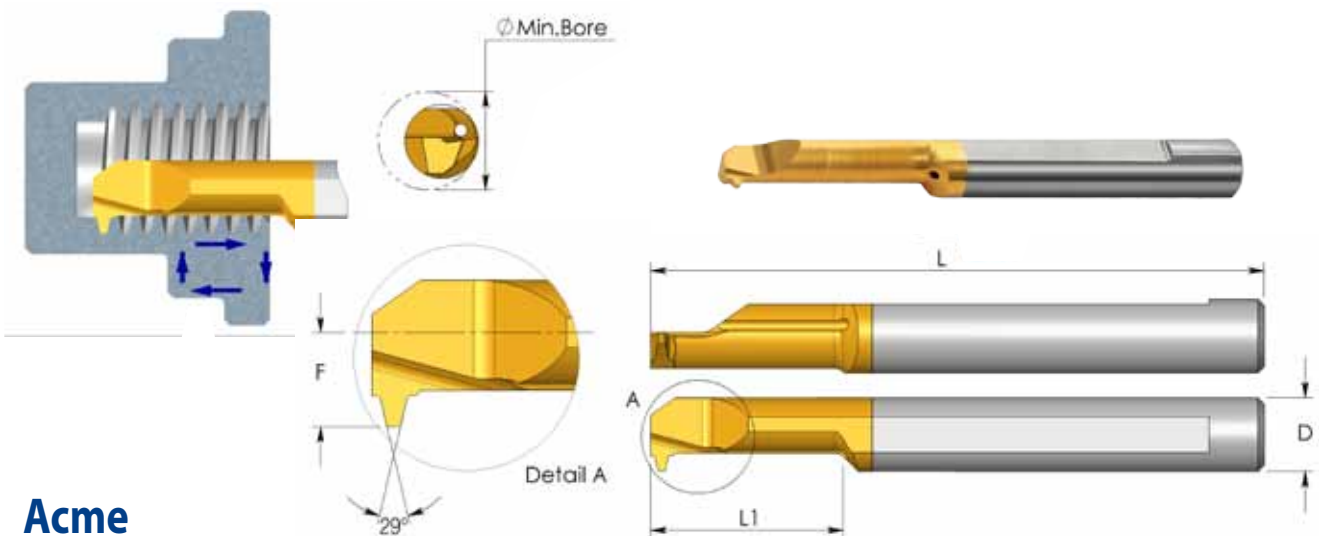
## MIR Bars Threading



### Full Profile - NPT 60°

D	Ordering Code	Pitch TPI	Thread Size	L	L1	F	Min. Bore Dia.	Holder*
6.0	<b>MIR 6 L15 27 NPT</b>	27	1/16 x 27 NPT 1/8 x 27 NPT	51	15	2.8	5.9	SIM ... H6

Order example: MIR 6 L15 27 NPT BXC



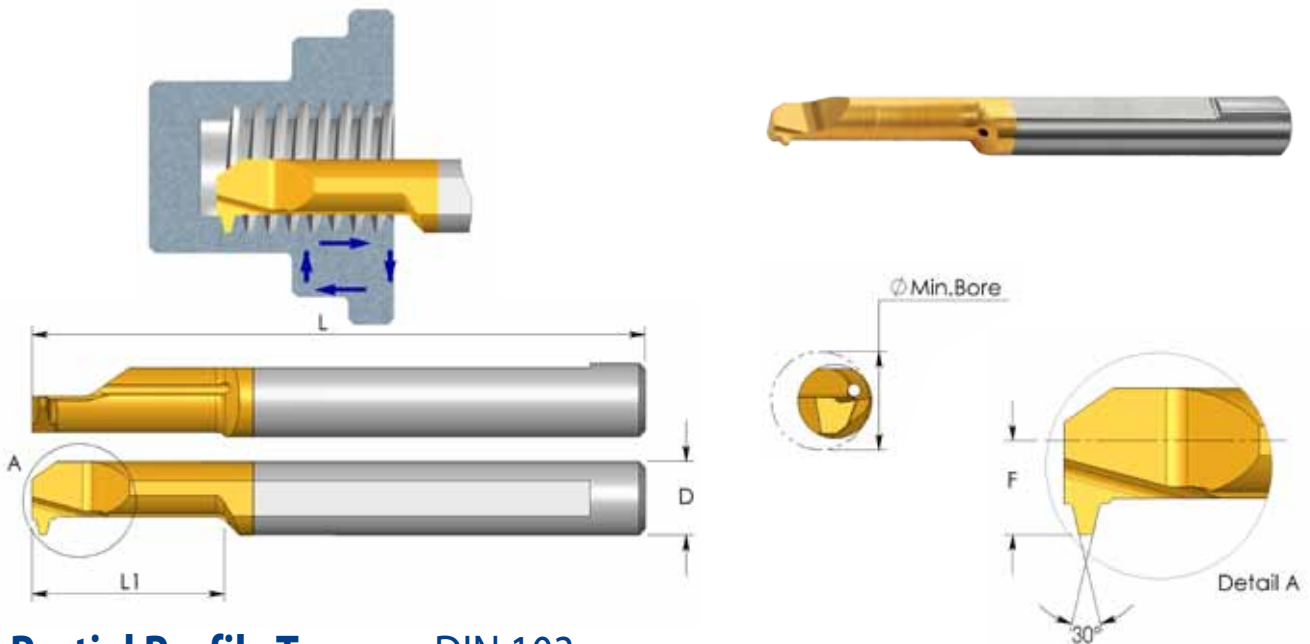
### Acme

D	Ordering Code	Pitch TPI	Thread Size	L	L1	F	Min. Bore Dia.	Holder*
4.0	<b>MIR 4 L15 16 ACME</b>	16	1/4 x 16	51	15	1.8	4.6	SIM ... H4
6.0	<b>MIR 6 L20 14 ACME</b>	14	5/16 x 14	51	20	2.8	6.0	SIM ... H6
7.0	<b>MIR 7 L22 12 ACME</b>	12	3/8 x 12 7/16 x 12	62	22	3.3	7.2	SIM ... H7
8.0	<b>MIR 8 L30 10 ACME</b>	10	1/2 x 10	76	30	3.8	10.0	SIM ... H8
10.0	<b>MIR 10 L35 8 ACME</b>	8	5/8 x 8	73	35	4.8	12.5	SIM ... H10
10.0	<b>MIR 10 L45 6 ACME</b>	6	3/4 x 6 7/8 x 6	105	45	4.8	14.6	SIM ... H10
10.0	<b>MIR 10 L52 5 ACME</b>	5	1x5	105	52	4.8	20.0	SIM ... H10

Order example: MIR 6 L 20 14 ACME BXC

\* For additional holders see page 100

## MIR Bars Threading



### Partial Profile Trapez - DIN 103

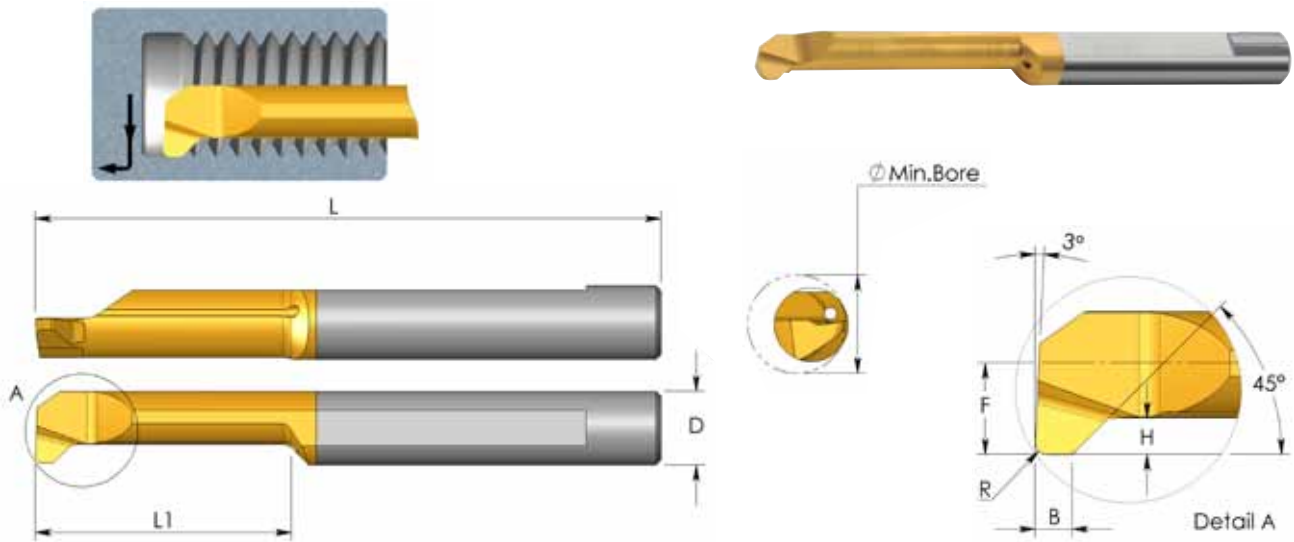
D	Ordering Code	Pitch mm	Thread Size	L	L1	F	Min. Bore Dia.	Holder*
6.0	<b>MIR 6 L22 1.5 TR</b>	1.5	Tr8x1.5 Tr9x1.5 Tr10x1.5	51	22	2.8	6.4	SIM ... H6
7.0	<b>MIR 7 L25 2 TR</b>	2	Tr 9 x 2 Tr10 x 2 Tr11 x 2 Tr12 x 2	62	25	3.2	6.9	SIM ... H7
10.0	<b>MIR 10 L35 2 TR</b>	2	Tr14 x 2 Tr16 x 2 Tr18 x 2 Tr20 x 2	73	35	4.8	11.0	SIM ... H10
7.0	<b>MIR 7 L35 3 TR</b>	3	Tr11 x 3 Tr12 x 3	62	35	3.3	7.5	SIM ... H7
10.0	<b>MIR 10 L35 3 TR</b>	3	Tr14 x 3 Tr22 x 3 Tr24 x 3 Tr26 x 3 Tr28 x 3	73	35	4.8	10.5	SIM ... H10
10.0	<b>MIR 10 L45 4 TR</b>	4	Tr16 x 4 Tr18 x 4 Tr20 x 4	105	45	4.8	11.5	SIM ... H10
10.0	<b>MIR 10 L55 5 TR</b>	5	Tr22 x 5 Tr24 x 5 Tr28 x 5	105	55	4.8	11.0	SIM ... H10

Order example: MIR 10 L35 3 TR BXC

For L.H. bars specify MIL instead of MIR

\* For additional holders see page 100

## MDR Bars *Thread Relief, Chamfering and Grooving*



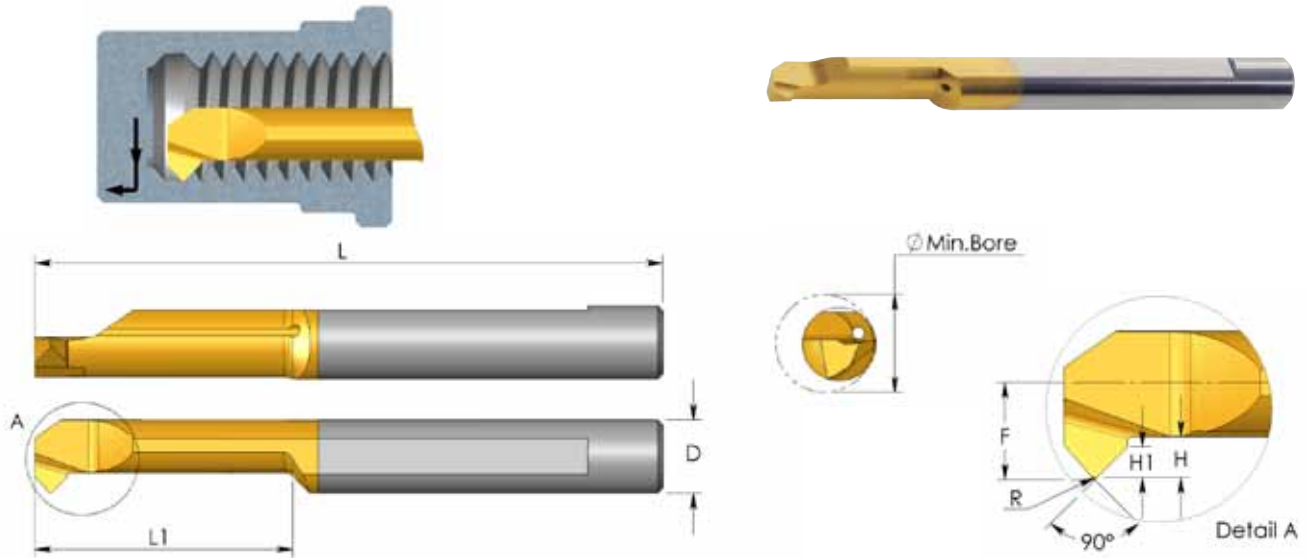
D	Ordering Code	L	L1	B	R	H	F	Min. Bore Dia.	Holder*
4.0	<b>MDR 4 R0.5 L18</b>	51	18	1.5	0.5	0.8	1.8	4.1	SIM ... H4
5.0	<b>MDR 5 R0.5 L24</b>	51	24	1.5	0.5	1.2	2.3	5.1	SIM ... H5
6.0	<b>MDR 6 R0.5 L27</b>	58	27	1.5	0.5	1.4	2.8	6.1	SIM ... H6

Order example: MDR 5 R0.5 L24 BXC

For L.H. bars specify MDL instead of MDR

\* For additional holders see page 100

## MCR Bars Chamfering and Boring



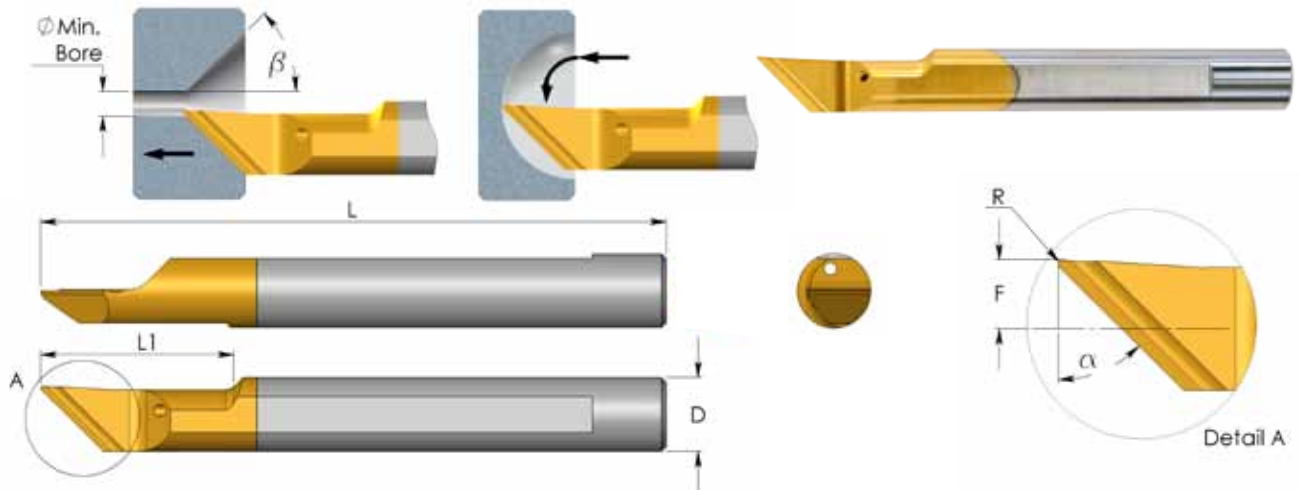
D	Ordering Code	L	L1	R	H	H1	F	Min. Bore Dia.	Holder*
3.0	<b>MCR 3 R0.2 L10</b>	39	10	0.2	0.7	0.3	1.3	3.1	SIM ... H3
4.0	<b>MCR 4 R0.2 L15</b>	51	15	0.2	0.8	0.4	1.7	4.1	SIM ... H4
5.0	<b>MCR 5 R0.2 L15</b>	51	15	0.2	1.2	0.7	2.1	5.1	SIM ... H5
6.0	<b>MCR 6 R0.2 L15</b>	51	15	0.2	1.4	0.7	2.8	6.1	SIM ... H6
7.0	<b>MCR 7 R0.2 L20</b>	62	20	0.2	1.5	0.8	3.3	7.1	SIM ... H7

Order example: MCR 4 R0.2 L15 BXC

For L.H. bars specify MCL instead of MCR

\* For additional holders see page 100

## MWR Bars Chamfering and Profiling



D	Ordering Code	L	L1	R	$\alpha$	$\beta$	F	Min. Bore Dia.	Holder*
6.0	<b>MWR 6 R0.2 A90</b>	51	15.0	0.2	45°	45°	2.3	1.0	SIM ... H6
	<b>MWR 6 R0.2 A60</b>	51	15.0	0.2	60°	30°	2.3	1.0	
	* <b>MWR 6 R0.4 A90</b>	51	22.0	0.4	45°	45°	2.3	6.0	
	* <b>MWR 6 R0.4 A60</b>	51	22.0	0.4	60°	30°	2.3	6.0	

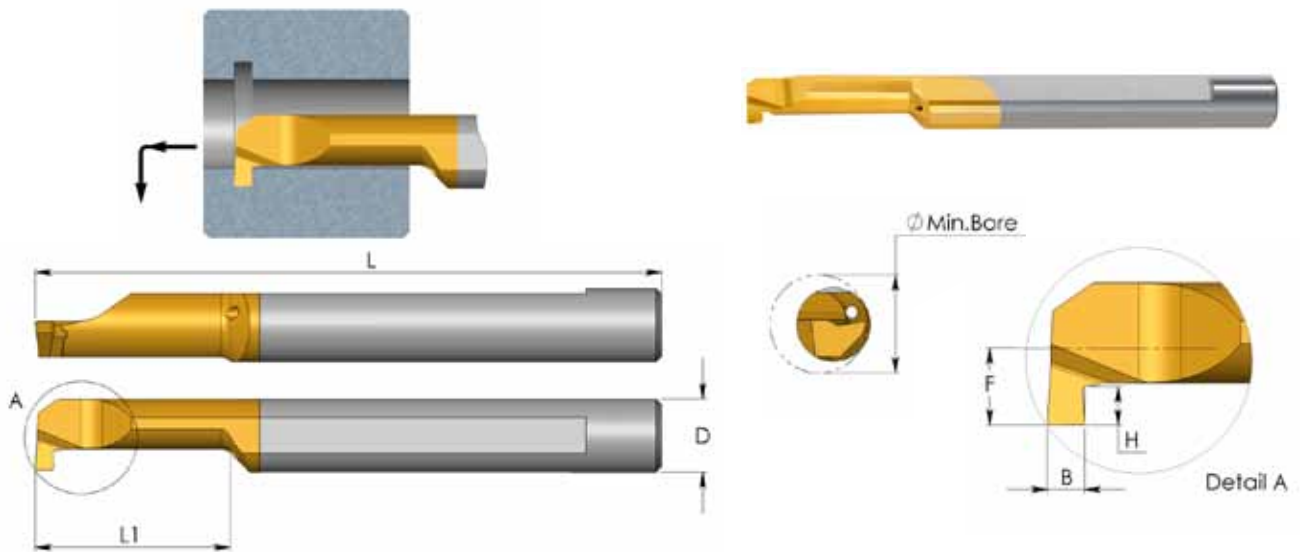
Order example: MWR 6 R0.2 A90 BXC

For L.H. bars specify MWL instead of MWR

\*Can be used also for boring

\*\* For additional holders see page 100

## MGR Bars Grooving

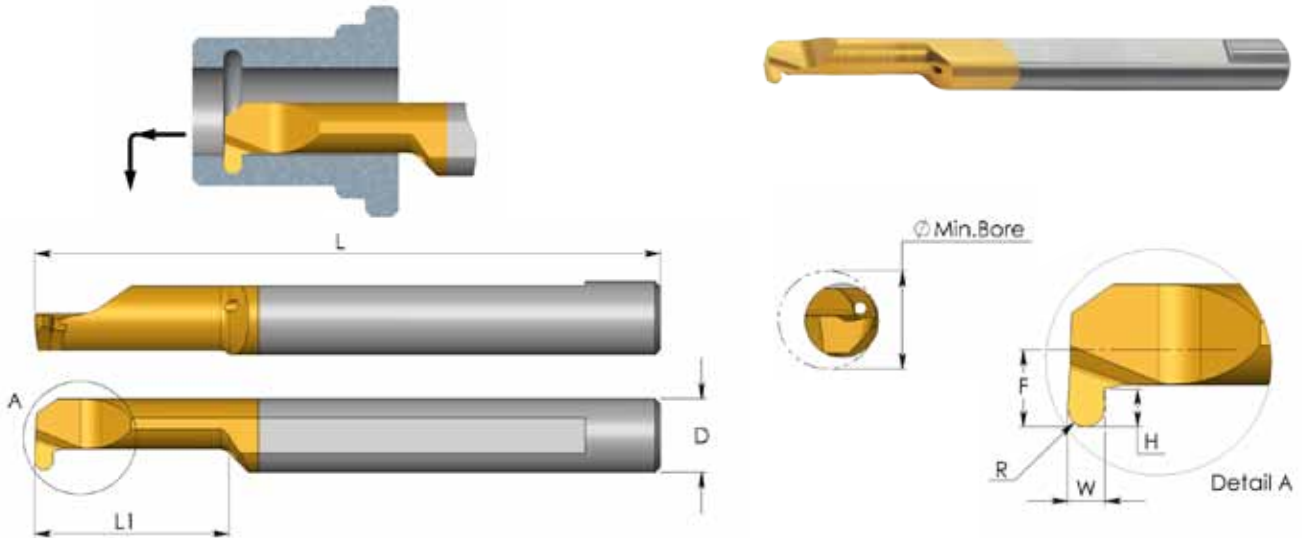


D	Ordering Code	L	L1	B	H	F	Min. Bore Dia.	Holder*
3.0	<b>MGR 3 B0.7 L10</b>	39	10	0.7	0.6	1.3	1.3	SIM ... H3
	<b>MGR 4 B 0.5 L10</b>	51	10	0.5	0.5	1.7	4.1	SIM ... H4
4.0	<b>MGR 4 B 0.7 L10</b>	51	10	0.7	0.6	1.7	4.1	
	<b>MGR 4 B1.0 L10</b>	51	10	1.0	1.0	1.7	4.1	
	<b>MGR 4 B1.0 L15</b>	51	15	1.0	1.0	1.7	4.1	
	<b>MGR 4 B1.5 L10</b>	51	10	1.5	1.0	1.7	4.1	
5.0	<b>MGR 5 B1.0 L15</b>	51	15	1.0	1.2	2.3	5.1	SIM ... H5
	<b>MGR 5 B1.0 L22</b>	51	22	1.0	1.2	2.3	5.1	
	<b>MGR 5 B1.5 L15</b>	51	15	1.5	1.2	2.3	5.1	
	<b>MGR 5 B1.5 L22</b>	51	22	1.5	1.2	2.3	5.1	
	<b>MGR 5 B2.0 L15</b>	51	15	2.0	1.2	2.3	5.1	
	<b>MGR 5 B2.0 L22</b>	51	22	2.0	1.2	2.3	5.1	
6.0	<b>MGR 6 B1.0 L15</b>	51	15	1.0	1.4	2.8	6.1	SIM ... H6
	<b>MGR 6 B1.0 L22</b>	51	22	1.0	1.4	2.8	6.1	
	<b>MGR 6 B1.5 L15</b>	51	15	1.5	1.4	2.8	6.1	
	<b>MGR 6 B1.5 L22</b>	51	22	1.5	1.4	2.8	6.1	
	<b>MGR 6 B2.0 L15</b>	51	15	2.0	1.4	2.8	6.1	
	<b>MGR 6 B2.0 L22</b>	51	22	2.0	1.4	2.8	6.1	
6.0	<b>MGR 6 B1.0 L17</b>	51	17	1.0	1.8	2.8	6.1	SIM ... H6
	<b>MGR 6 B1.5 L17</b>	51	17	1.5	1.8	2.8	6.1	
	<b>MGR 6 B2.0 L17</b>	51	17	2.0	1.8	2.8	6.1	
7.0	<b>MGR 7 B1.0 L15</b>	62	15	1.0	2.5	3.3	7.1	SIM ... H7
	<b>MGR 7 B1.0 L22</b>	62	22	1.0	2.5	3.3	7.1	
	<b>MGR 7 B1.0 L30</b>	62	30	1.0	2.5	3.3	7.1	
	<b>MGR 7 B1.5 L15</b>	62	15	1.5	2.5	3.3	7.1	
	<b>MGR 7 B1.5 L22</b>	62	22	1.5	2.5	3.3	7.1	
	<b>MGR 7 B1.5 L30</b>	62	30	1.5	2.5	3.3	7.1	
	<b>MGR 7 B2.0 L15</b>	62	15	2.0	2.5	3.3	7.1	
	<b>MGR 7 B2.0 L22</b>	62	22	2.0	2.5	3.3	7.1	
8.0	<b>MGR 8 B1.0 L22</b>	64	22	1.0	1.7	3.8	8.1	SIM ... H8
	<b>MGR 8 B1.5 L22</b>	64	22	1.5	1.7	3.8	8.1	
	<b>MGR 8 B2.0 L22</b>	64	22	2.0	2.6	3.8	8.1	

Order example: MGR 5 B1.5 L15 BXC  
 \* For additional holders see page 100

For L.H. bars specify MGL instead of MGR

## MKR Bars Full Radius Grooving



D	Ordering Code	L	L1	R	W	H	F	Min. Bore Dia.	Holder*
4.0	<b>MKR 4 R0.5 L10</b>	51	10	0.50	1.0	1.0	1.7	4.1	SIM ... H4
	<b>MKR 4 R0.75 L10</b>	51	10	0.75	1.5	1.0	1.7	4.1	
5.0	<b>MKR 5 R0.5 L15</b>	51	15	0.50	1.0	1.2	2.3	5.1	SIM ... H5
	<b>MKR 5 R0.75 L15</b>	51	15	0.75	1.5	1.2	2.3	5.1	
	<b>MKR 5 R1.0 L15</b>	51	15	1.00	2.0	1.2	2.3	5.1	
6.0	<b>MKR 6 R0.5 L15</b>	51	15	0.50	1.0	1.6	2.8	6.1	SIM ... H6
	<b>MKR 6 R0.75 L15</b>	51	15	0.75	1.5	1.6	2.8	6.1	
	<b>MKR 6 R1.0 L15</b>	51	15	1.00	2.0	1.6	2.8	6.1	
7.0	<b>MKR 7 R0.5 L22</b>	62	22	0.50	1.0	2.5	3.3	7.1	SIM ... H7
	<b>MKR 7 R0.75 L22</b>	62	22	0.75	1.5	2.5	3.3	7.1	
	<b>MKR 7 R1.0 L22</b>	62	22	1.00	2.0	2.5	3.3	7.1	

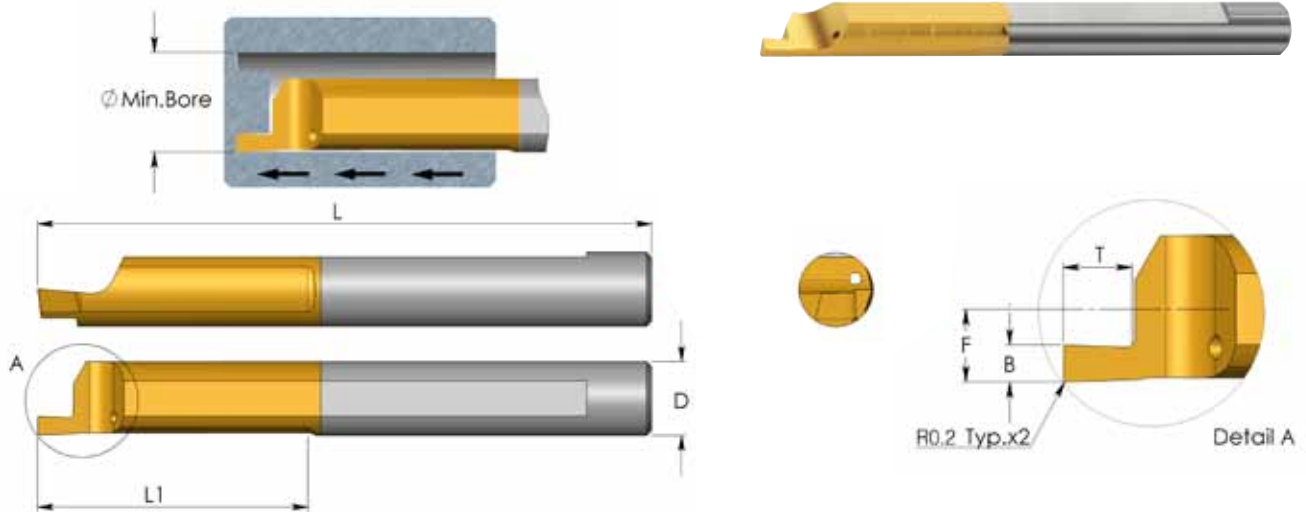
Order example: MKR 5 R1.0 L15 BXC

For L.H. bars specify MKL instead of MKR

\* For additional holders see page 100



## MFR Bars Face Grooving

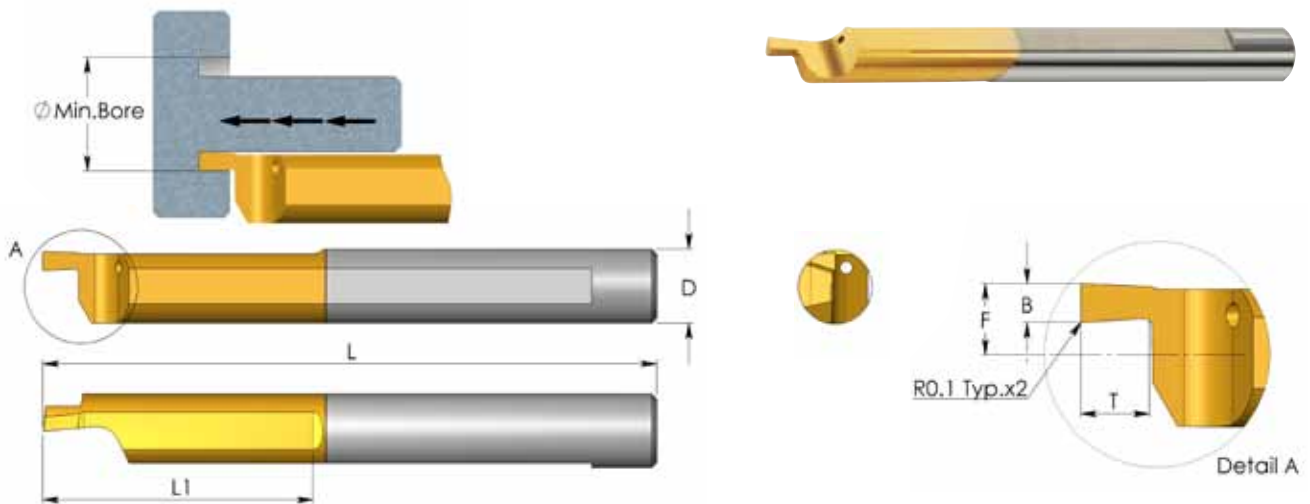


D	Ordering Code	L	L1	B	T	F	Min. Bore Dia.	Holder*
4.0	<b>MFR 4 B0.75 L15</b>	51	15	0.75	1.2	1.95	5.0	SIM ... H4
	<b>MFR 4 B1.0 L15</b>	51	15	1.0	1.5	1.95	5.0	
	<b>MFR 4 B1.5 L15</b>	51	15	1.5	2.8	1.95	5.0	
5.0	<b>MFR 5 B0.75 L22</b>	51	22	0.75	1.2	2.45	6.0	SIM ... H5
	<b>MFR 5 B1.0 L22</b>	51	22	1.0	1.5	2.45	6.0	
	<b>MFR 5 B1.5 L22</b>	51	22	1.5	2.5	2.45	6.0	
	<b>MFR 5 B2.0 L22</b>	51	22	2.0	3.8	2.45	6.0	
6.0	<b>MFR 6 B1.0 L22</b>	51	22	1.0	1.5	2.95	8.0	SIM ... H6
	<b>MFR 6 B1.5 L22</b>	51	22	1.5	2.5	2.95	8.0	
	<b>MFR 6 B2.0 L22</b>	51	22	2.0	3.0	2.95	8.0	
	<b>MFR 6 B2.5 L22</b>	51	22	2.5	4.8	2.95	8.0	
	<b>MFR 6 B3.0 L30</b>	58	30	3.0	6.0	2.95	8.0	
8.0	<b>MFR 8 B2.5 L22</b>	64	22	2.5	3.5	3.95	10.0	SIM ... H8

Order example: MFR 5 B1.0 L22 BXC

\* For additional holders see page 100

## MFL Bars Face Grooving

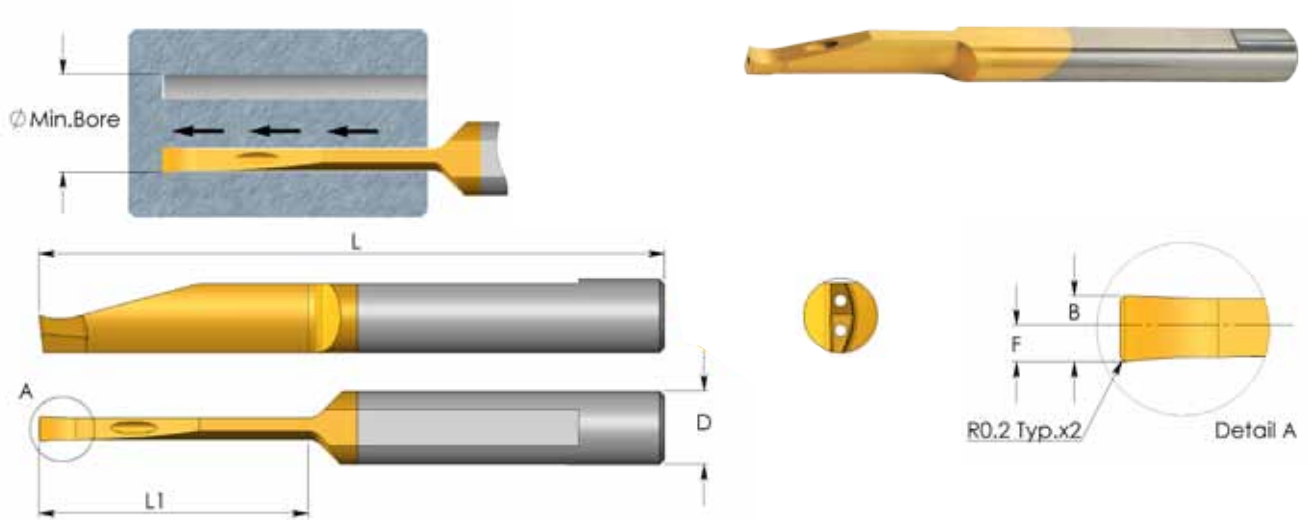


D	Ordering Code	L	L1	B	T	F	Min. Bore Dia.	Holder*
4.0	<b>MFL 4 B0.75 L15</b>	51	15	0.75	1.2	1.75	5.0	SIM ... H4
	<b>MFL 4 B1.0 L15</b>	51	15	1.0	1.5	1.75	5.0	
	<b>MFL 4 B1.5 L15</b>	51	15	1.5	2.8	1.75	5.0	
5.0	<b>MFL 5 B0.75 L22</b>	51	22	0.75	1.2	2.25	6.0	SIM ... H5
	<b>MFL 5 B1.0 L22</b>	51	22	1.0	1.5	2.25	6.0	
	<b>MFL 5 B1.5 L22</b>	51	22	1.5	2.5	2.25	6.0	
	<b>MFL 5 B2.0 L22</b>	51	22	2.0	3.8	2.25	6.0	
6.0	<b>MFL 6 B1.0 L22</b>	51	22	1.0	1.5	2.75	8.0	SIM ... H6
	<b>MFL 6 B1.5 L22</b>	51	22	1.5	2.5	2.75	8.0	
	<b>MFL 6 B2.0 L22</b>	51	22	2.0	3.0	2.75	8.0	
	<b>MFL 6 B2.5 L22</b>	51	22	2.5	4.8	2.75	8.0	
	<b>MFL 6 B3.0 L30</b>	58	30	3.0	6.0	2.75	8.0	
8.0	<b>MFL 8 B2.5 L22</b>	64	22	2.5	3.5	3.75	10.0	SIM ... H8

Order example: MFL 6 B1.0 L22 BXC

\* For additional holders see page 100

## MVR Bars Deep Face Grooving - with 2 Coolant Bores

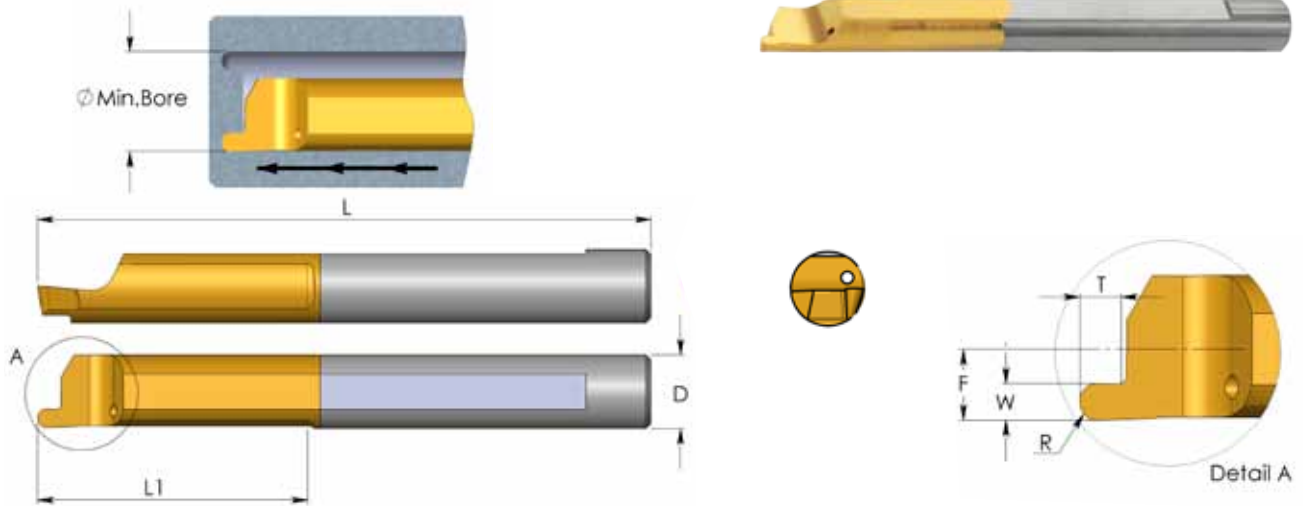


D	Ordering Code	L	L1	B	F	Min. Bore Dia.	Holder*
6.0	<b>MVR 6 B2.0 L15</b>	64	15	2.0	1.1	12.0	SIM ... H6
	<b>MVR 6 B2.0 L22</b>	64	22	2.0	1.1	12.0	
	<b>MVR 6 B2.5 L22</b>	64	22	2.5	1.4	12.0	
8.0	<b>MVR 8 B3.0 L27</b>	64	27	3.0	1.6	15.0	SIM ... H8
	<b>MVR 8 B3.0 L43</b>	80	43	3.0	1.6	15.0	
8.0	<b>MVR 8 B4.0 L43</b>	80	43	4.0	2.1	20.0	SIM ... H8

Order example: MVR 6 B2.0 L22 BXC

\* For additional holders see page 100

## MZR Bars Face Grooving

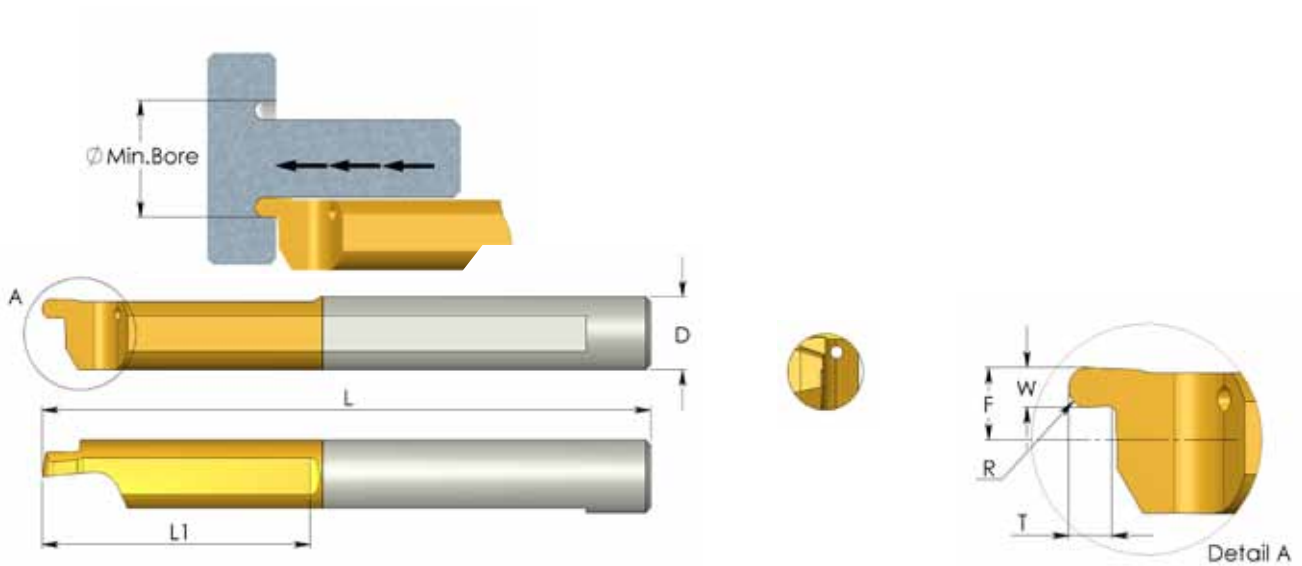


D	Ordering Code	L	L1	R	W	T	F	Min. Bore Dia.	Holder*
4.0	<b>MZR 4 R0.5 L15</b>	51	15	0.50	1.0	1.2	1.95	5.0	SIM ... H4
	<b>MZR 4 R0.75 L15</b>	51	15	0.75	1.5	1.5	1.95	5.0	
5.0	<b>MZR 5 R0.5 L22</b>	51	22	0.50	1.0	1.2	2.45	6.0	SIM ... H5
	<b>MZR 5 R0.75 L22</b>	51	22	0.75	1.5	1.5	2.45	6.0	
	<b>MZR 5 R1.0 L22</b>	51	22	1.00	2.0	2.5	2.45	6.0	
6.0	<b>MZR 6 R0.5 L22</b>	51	22	0.50	1.0	1.2	2.95	8.0	SIM ... H6
	<b>MZR 6 R0.75 L22</b>	51	22	0.75	1.5	1.5	2.95	8.0	
	<b>MZR 6 R1.0 L22</b>	51	22	1.00	2.0	2.5	2.95	8.0	

Order example: MZR 5 R0.5 L22 BXC

\* For additional holders see page 100

## MZL Bars Face Grooving

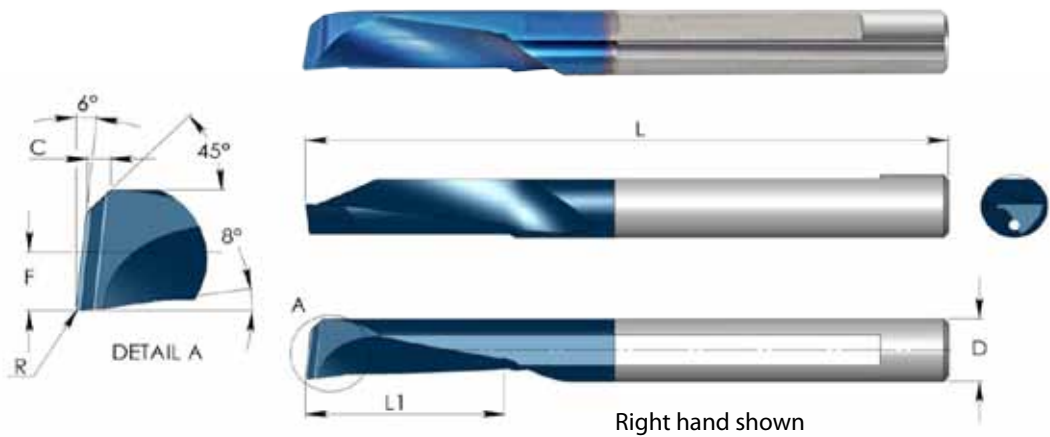


D	Ordering Code	L	L1	R	W	T	F	Min. Bore Dia.	Holder*
4.0	<b>MZL 4 R0.5 L15</b>	51	15	0.50	1.0	1.2	1.75	5.0	SIM ... H4
	<b>MZL 4 R0.75 L15</b>	51	15	0.75	1.5	1.5	1.75	5.0	
5.0	<b>MZL 5 R0.5 L22</b>	51	22	0.50	1.0	1.2	2.25	6.0	SIM ... H5
	<b>MZL 5 R0.75 L22</b>	51	22	0.75	1.5	1.5	2.25	6.0	
	<b>MZL 5 R1.0 L22</b>	51	22	1.00	2.0	2.5	2.25	6.0	
6.0	<b>MZL 6 R0.5 L22</b>	51	22	0.50	1.0	1.2	2.75	8.0	SIM ... H6
	<b>MZL 6 R0.75 L22</b>	51	22	0.75	1.5	1.5	2.75	8.0	
	<b>MZL 6 R1.0 L22</b>	51	22	1.00	2.0	2.5	2.75	8.0	

Order example: MZL 5 R0.5 L22 BXC

\* For additional holders see page 100

## CMR C.P.T. Multi-Task Tiny Tools



### Right hand

D	Ordering Code	L	L1	R	F	C	Hole Dia.*	Holder **
4	<b>CMR 4 R0.1 L10</b>	51	10	0.1	1.8	1.1	4	SIM...H4
	<b>CMR 4 R0.1 L15</b>	51	15	0.1	1.8	1.1	4	
5	<b>CMR 5 R0.2 L10</b>	51	10	0.2	2.3	1.3	5	SIM...H5
	<b>CMR 5 R0.2 L15</b>	51	15	0.2	2.3	1.3	5	
6	<b>CMR 6 R0.2 L12</b>	58	12	0.2	2.8	1.5	6	SIM...H6
	<b>CMR 6 R0.2 L18</b>	58	18	0.2	2.8	1.5	6	

P	BMK	*
M		*
K		*
N		*
S		*
H		

\* The minimum diameter the tool can produce from full material

### Left hand

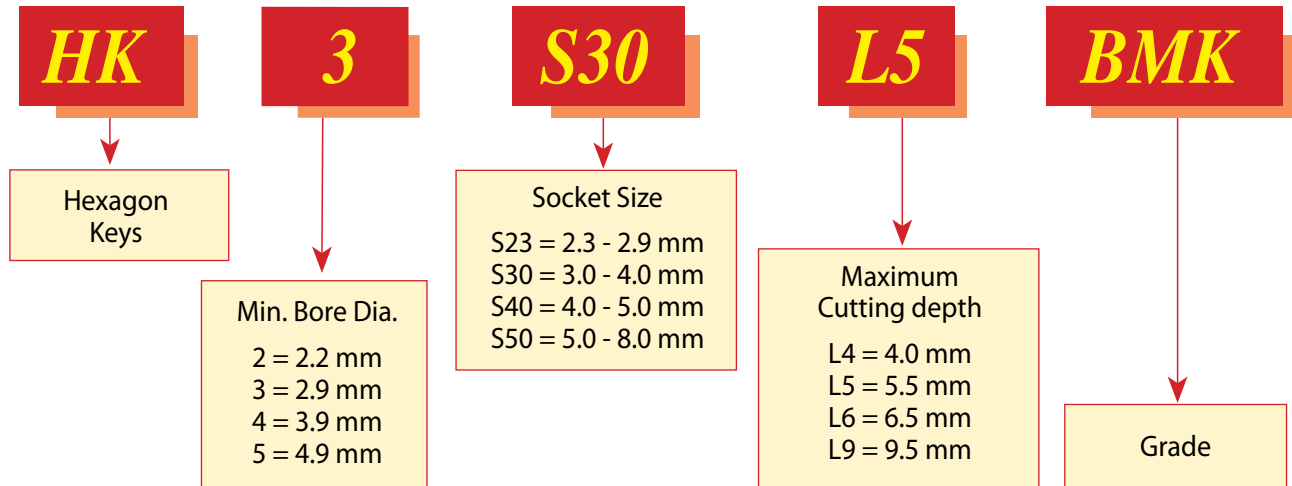
D	Ordering Code	L	L1	R	F	C	Hole Dia.*	Holder **
4	<b>CML 4 R0.1 L10</b>	51	10	0.1	1.8	1.1	4	SIM...H4
	<b>CML 4 R0.1 L15</b>	51	15	0.1	1.8	1.1	4	
5	<b>CML 5 R0.2 L10</b>	51	10	0.2	2.3	1.3	5	SIM...H5
	<b>CML 5 R0.2 L15</b>	51	15	0.2	2.3	1.3	5	
6	<b>CML 6 R0.2 L12</b>	58	12	0.2	2.8	1.5	6	SIM...H6
	<b>CML 6 R0.2 L18</b>	58	18	0.2	2.8	1.5	6	

P	BMK	*
M		*
K		*
N		*
S		*
H		

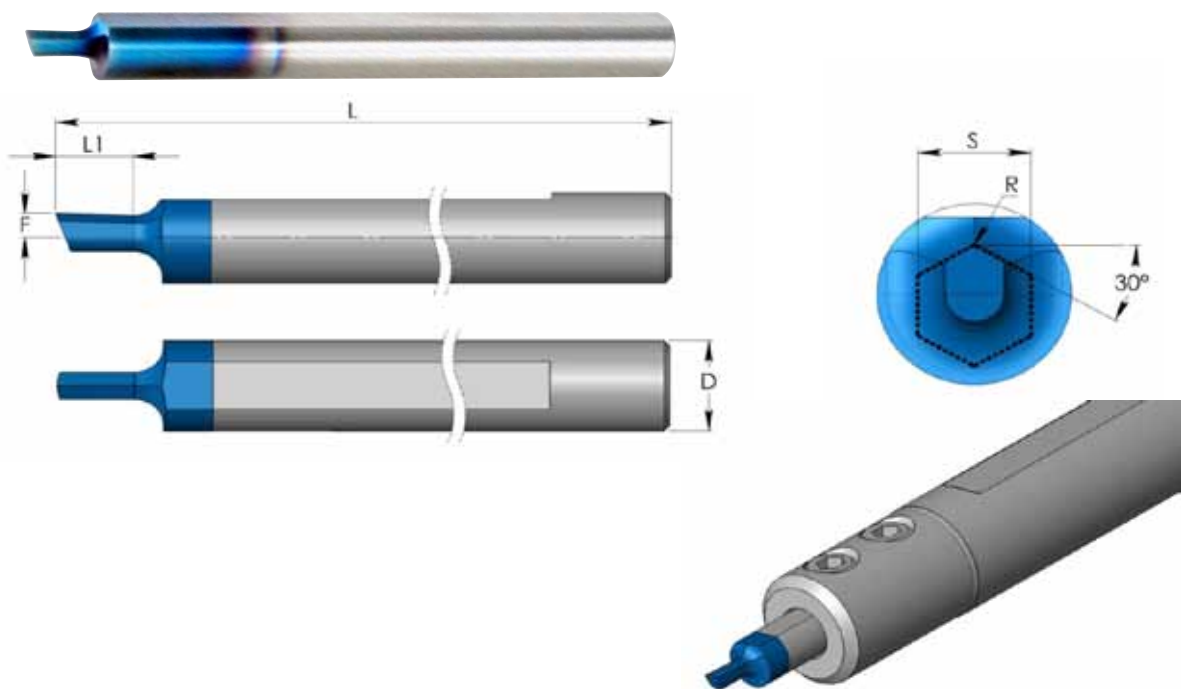
\* The minimum diameter the tool can produce from full material

\*\* For additional holders see page 100

## Product Identification



## HK Broaching Tools for Hexagon Keys



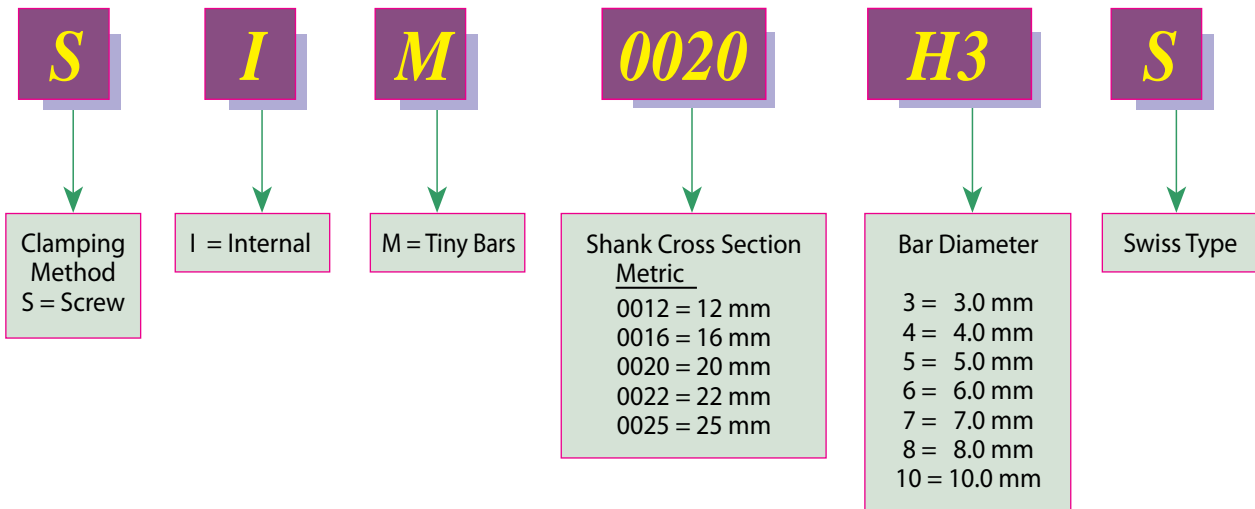
D	S	Ordering Code	L	L1	R	F	Min. Bore Dia.	Holder *
5.0	2.3-2.9	<b>HK 2 S23 L4</b>	51	4.0	0.05	1.35	2.2	SIM...H5
	3.0-4.0	<b>HK 3 S30 L5</b>	51	5.5	0.05	1.35	2.9	
	4.0-5.0	<b>HK 4 S40 L6</b>	51	6.5	0.10	1.35	3.9	
7.0	5.0-8.0	<b>HK 5 S50 L9</b>	62	9.5	0.10	1.35	4.9	SIM...H7

<b>P</b>	<b>BMK</b>	*
<b>M</b>		*
<b>K</b>		*
<b>N</b>		*
<b>S</b>		*
<b>H</b>		

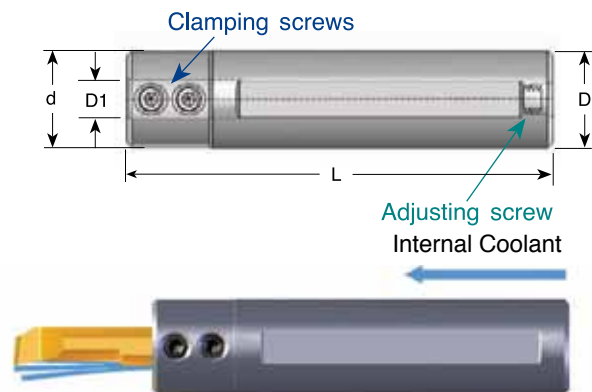
S = Socket Size

\* For additional holders see page 100

## Product Identification Tiny Bar Holders Ordering Codes



## Tiny Tools Bar Holders



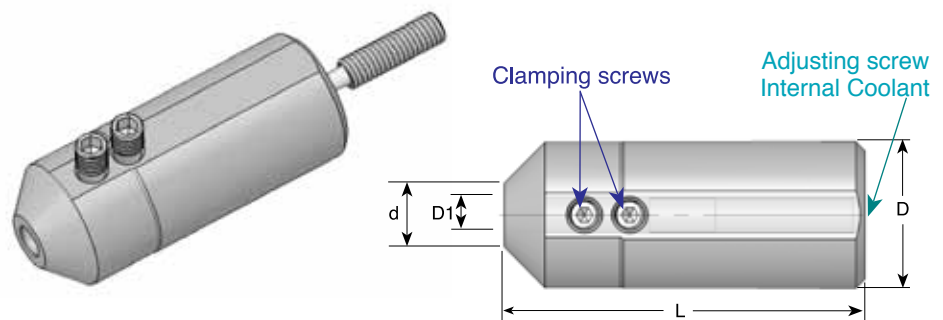
D1	Ordering Code	L	D	d	Key	Clamping Screw	Adjusting Screw
3.0	<b>SIM 0012 H3</b>	88	12	12	K25	S24	S35
	<b>SIM 0016 H3S</b>	75	16	20	K25	S25	S35S
	<b>SIM 0016 H3</b>	88	16	20	K25	S25	S35
	<b>SIM 0020 H3</b>	88	20	20	K25	S25	S35
	<b>SIM 0022 H3</b>	88	22	22	K25	S25	S35
4.0	<b>SIM 0012 H4</b>	88	12	12	K25	S24	S35
	<b>SIM 0016 H4S</b>	75	16	20	K25	S25	S35S
	<b>SIM 0016 H4</b>	88	16	20	K25	S25	S35
	<b>SIM 0020 H4</b>	88	20	20	K25	S25	S35
	<b>SIM 0022 H4</b>	88	22	22	K25	S25	S35



## Tiny Tools Bar Holders

D1	Ordering Code	L	D	d	Key	Clamping Screw	Adjusting Screw
5.0	<b>SIM 0012 H5</b>	88	12	12	K25	S24	S35
	<b>SIM 0016 H5S</b>	75	16	20	K25	S25	S35S
	<b>SIM 0016 H5</b>	88	16	20	K25	S25	S35
	<b>SIM 0020 H5</b>	88	20	20	K25	S25	S35
	<b>SIM 0022 H5</b>	88	22	22	K25	S25	S35
6.0	<b>SIM 0016 H6S</b>	75	16	20	K25	S25	S35S
	<b>SIM 0016 H6</b>	88	16	20	K25	S25	S35
	<b>SIM 0020 H6</b>	88	20	20	K25	S25	S35
	<b>SIM 0022 H6</b>	88	22	22	K25	S25	S35
7.0	<b>SIM 0016 H7</b>	88	16	20	K25	S25	S35
	<b>SIM 0020 H7</b>	88	20	20	K25	S25	S35
	<b>SIM 0022 H7</b>	88	22	22	K25	S25	S35
8.0	<b>SIM 0016 H8</b>	88	16	20	K25	S25	S35
	<b>SIM 0020 H8</b>	88	20	20	K25	S25	S35
	<b>SIM 0022 H8</b>	88	22	22	K25	S25	S35
10.0	<b>SIM 0016 H10</b>	88	16	20	K25	S25S	S35
	<b>SIM 0020 H10</b>	88	20	20	K25	S25S	S35
	<b>SIM 0022 H10</b>	88	22	22	K25	S25	S35

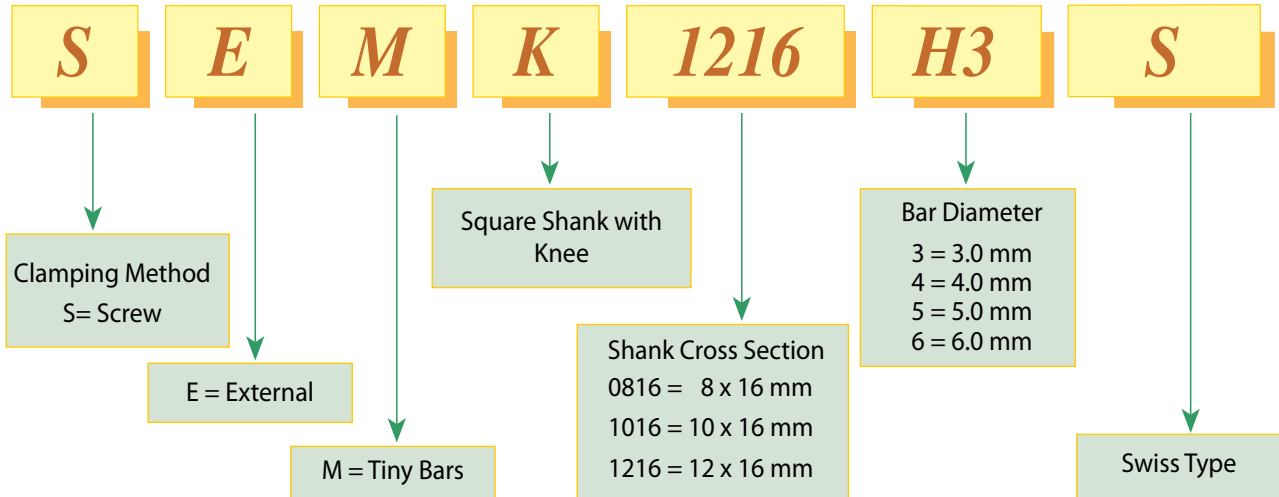
## Tiny Tools Bar Holders



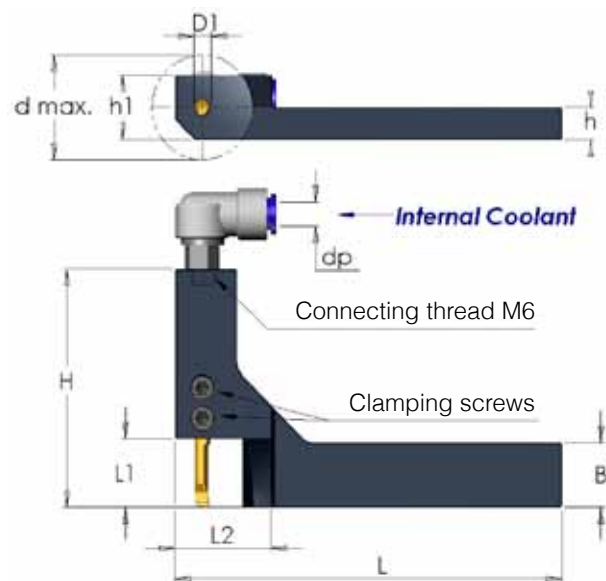
D1	Ordering Code	D	d	L	Key	Clamping Screw	Adjusting Screw
3.0	<b>SIM 0025 H3</b>	25	10.8	62	K25	S25	S35M
4.0	<b>SIM 0025 H4</b>	25	10.8	62	K25	S25	S35M
5.0	<b>SIM 0025 H5</b>	25	10.8	62	K25	S25	S35M
6.0	<b>SIM 0025 H6</b>	25	10.8	62	K25	S25	S35M
8.0	<b>SIM 0025 H8</b>	25	10.8	62	K25	S25	S35M

## Product Identification

### Tiny Bar Holders Ordering Codes



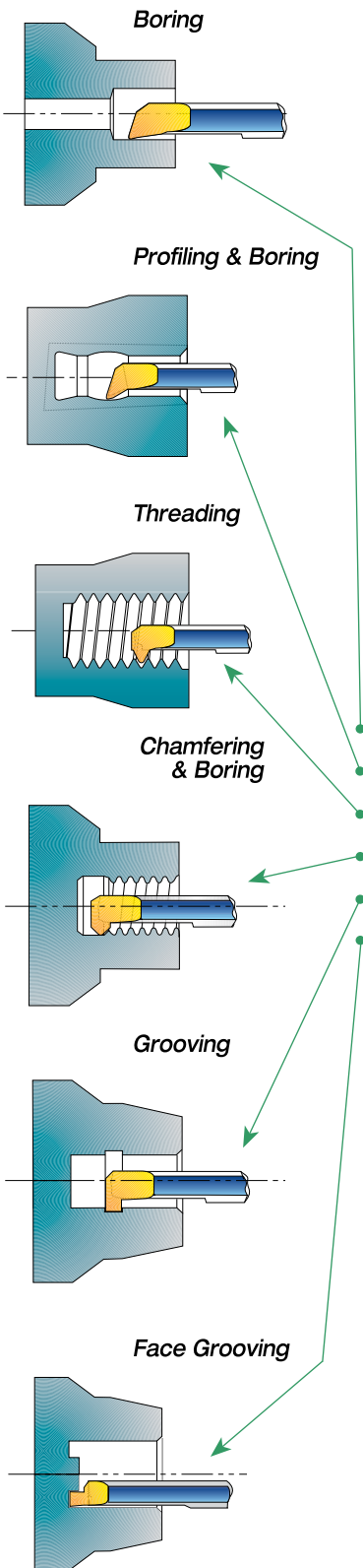
## Square Shank Holders



D1	Ordering Code	B	L	L1	L2	H	h	h1	d max.	*dp	Key	Clamping Screw
3.0	<a href="#">SEMK 0816 H3S</a>	16	100	17	25	46	8	16	26	4/6	K25	S25
	<a href="#">SEMK 1016 H3S</a>	16	100	17	25	46	10	18	26	4/6	K25	
	<a href="#">SEMK 1216 H3S</a>	16	100	17	25	46	12	20	26	4/6	K25	
4.0	<a href="#">SEMK 0816 H4S</a>	16	100	17	25	58	8	16	26	4/6	K25	S25
	<a href="#">SEMK 1016 H4S</a>	16	100	17	25	58	10	18	26	4/6	K25	
	<a href="#">SEMK 1216 H4S</a>	16	100	17	25	58	12	20	26	4/6	K25	
5.0	<a href="#">SEMK 0816 H5S</a>	16	100	17	25	58	8	16	26	4/6	K25	S25
	<a href="#">SEMK 1016 H5S</a>	16	100	17	25	58	10	18	26	4/6	K25	
	<a href="#">SEMK 1216 H5S</a>	16	100	17	25	58	12	20	26	4/6	K25	
6.0	<a href="#">SEMK 0816 H6S</a>	16	100	17	25	58	8	16	26	4/6	K25	S25
	<a href="#">SEMK 1016 H6S</a>	16	100	17	25	58	10	18	26	4/6	K25	
	<a href="#">SEMK 1216 H6S</a>	16	100	17	25	58	12	20	26	4/6	K25	

\* Optional

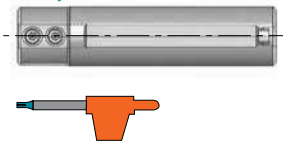
## Tiny Tools Kits



KT4-20	KT5-20
MTR 4 R0.2 L10	MTR 5 R0.2 L15
MPR 4 R0.2 L10	MPR 5 R0.2 L15
MIR 4 L15 A60	MIR 5 L15 A60
MCR 4 R0.2 L15	MCR 5 R0.2 L15
MGR 4 B1.5 L10	MGR 5 B1.5 L15
MFR 4 B1.0 L15	MFR 5 B1.0 L22
SIM 0020 H4	SIM 0020 H5
K25	K25

- Boring
- Profiling
- Threading
- Chamfering
- Grooving
- Face Grooving

### Tiny Tools Bar Holder



Order example: KT4-20

Also available are kits with a 16mm or 22mm shank diameter bar holder.  
Order example: KT4-16

## Technical Section

### Carbide Grades:

#### **BXC (P30 - P50, K25 - K40)**

PVD TiN coated grade for low cutting speed.  
Works well with a wide range of stainless steels.

#### **BMK (K10 - K20)**

Sub-micron grade with advanced PVD triple coating. Extremely high heat resistant and smooth cutting operation, for high performance, and normal machining conditions. General purpose for all materials.

#### **K20 (K10 - K30)**

Uncoated Carbide grade for non ferrous metals, aluminum and cast iron.



### Cutting speed for Tiny Tools\*

ISO Standard	Material		Condition	Cutting Speed m/min			
				BXC	BMK	K20	
<b>P</b>	Non-Alloy steel and cast steel, free cutting steel	<0.25%C	Annealed	25-70	30-80	15-30	
		≥0.25%C	Annealed				
		< 0.55%C	Quenched and tempered				
		≥0.55%C	Annealed				
		≥0.55%C	Quenched and tempered				
	Low alloy steel and cast steel (less than 5% alloying elements)	Annealed	20-40	25-50	10-20		
High alloy steel, cast steel, and tool steel	Annealed	20-40	25-50	10-20			
	Quenched and tempered						
<b>M</b>	Stainless steel and cast steel		Ferritic/martensitic	25-40	30-60	15-25	
			Martensitic				
			Austenitic				
<b>K</b>	Cast iron nodular (GGG)		Ferritic/pearlitic	25-60	30-80	15-30	
			Pearlitic				
	Grey cast iron (GG)		Ferritic	30-70	30-80	20-40	
			Pearlitic				
	Malleable cast iron		Ferritic	20-40	20-50	10-20	
			Pearlitic				
<b>N</b>	Aluminum-wrought alloy		Not cureable	50-100	60-120	30-50	
			Cured				
	Aluminum-cast, alloyed	<=12% Si	Not cureable	40-80	50-90	20-40	
		>12% Si	Cured				
	Copper alloys	>1% Pb	High temperature	30-60	30-70	20-40	
			Free cutting				
			Brass				
Non metallic		Electrolytic copper	40-80		20-40		
		Duroplastics, fiber plastics					
<b>S</b>	High temp. alloys, Super alloys		Annealed	15-30	15-40	10-20	
			Cured				
			Ni or Co based				Annealed
							Cured
	Titanium alloys		Cast	10-30	10-30	5-15	
			Alpha+beta alloys cured				
<b>H</b>	Hardened steel		Hardened 45-50 HRC	10-30	15-40	5-15	
			Hardened 51-55 HRC				
			Hardened 56-62 HRC				
	Chilled cast iron		Cast	10-30	10-30	5-15	
Cast iron		Hardened	10-20	10-20	5-15		

\* For CMR see page 104

Recommended Feed Rate: 0.01 - 0.03 mm/rev

## Threading Passes

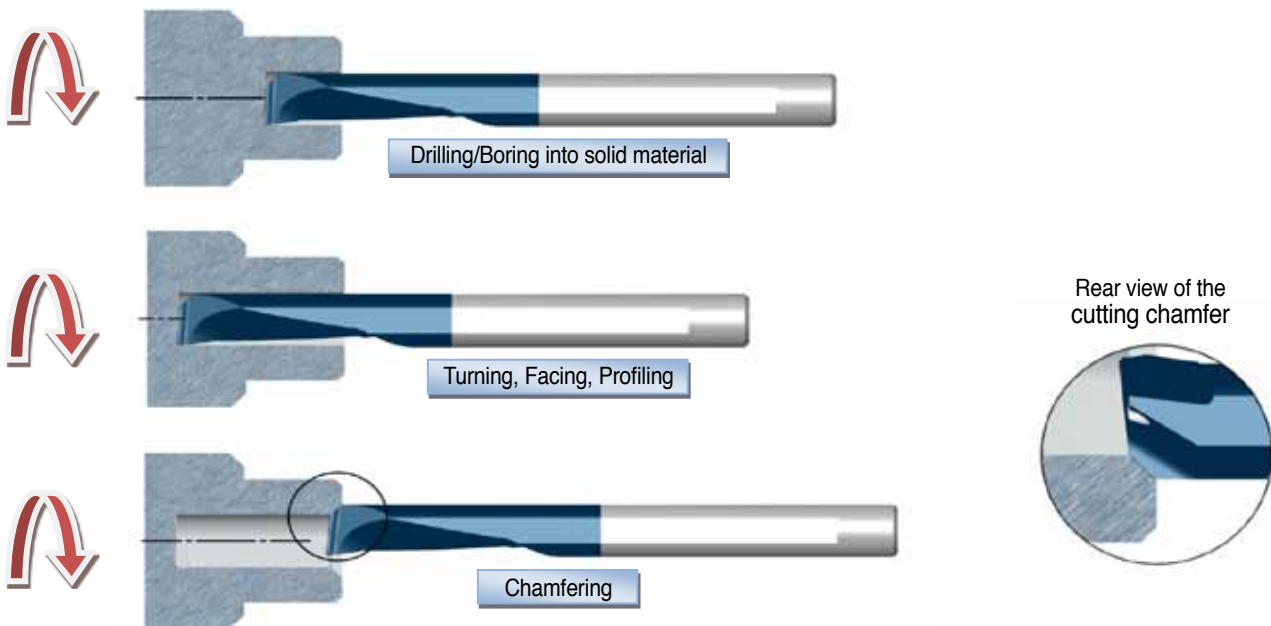
Pitch:	mm TPI	0.5 48	0.7 36	0.8 32	1.0 24	1.25 20	1.5 16	2-5 14-5
Number of Passes		6-12	7-14	7-16	8-18	8-20	10-22	20-38

## CMR C.P.T. Multi-Task Tiny Tools

- C.P.T. is introducing a new and innovative Multi-Task Tiny Tool **CMR** for Boring, Turning, Facing and Chamfering with a single tool.
- The unique design enables machining of the material without the need for a pilot hole.
- The new tool shortens the machining cycle time and the number of tools required - providing **High Productivity**.
- Effective through coolant hole with a spiral flute, evacuates the chips out of the hole uninterruptedly.
- Unique chip breaker and flute design.
- To use with standard SIM toolholders on Swiss Type or CNC lathe machines.
- Available in **BMK** Grade only.

## Working Method

- The tool penetrates the work piece and produces the hole compliant with the minimum diameter the tool allows.
- The tool can penetrate the material in one pass or several passes depending on the work piece material, coolant pressure, machine power etc.
- The hole can be enlarged by multi radial passes.



The tool is equipped with an additional cutting edge, which is located across the main front edge. This allows production of an additional 45° chamfer on the work piece without the need to stop the spindle or processing operation.

## CMR Cutting Data and General Recommendations

### Coolant fluid

Dry machining should not be performed under any circumstances. It is necessary to use an internal coolant in all applications. Oil or Emulsion lubricants are recommended for best performance. In the event of low coolant pressure, adding an external coolant can improve the tool operation.

The cooling stream is designed to provide three benefits:

1. Cooling the cutting edge of the tool, and the contact area.
2. Pushing the chip away from the tool quickly, thereby reducing wear of the edge.
3. Helping to break the chip into smaller pieces and evacuating them from the cutting area.

ISO Standard	Materials	Cutting Speed m/min
<b>P</b>	Low and Medium Carbon Steels <0.55%C	20- 75
	High Carbon Steels ≥0.55%C	20- 75
	Alloy Steels, Treated Steels	20- 60
<b>M</b>	Stainless Steels - Free Cutting	20- 60
	Stainless Steels - Austenitic	20- 50
	Cast Steels	20- 70
<b>K</b>	Cast Iron	20- 90
<b>N</b>	Aluminum ≤12%Si, Copper	40-150
	Aluminum >12% Si	20-100
	Synthetics, Duroplastics, Thermoplastics	40-150
<b>S</b>	Nickel Alloys, Titanium Alloys	15- 60
<b>H</b>	Hardened Steels	

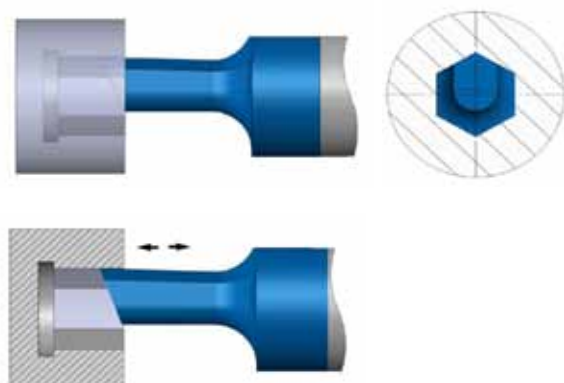
**Recommended Feed Rate: 0.01 - 0.03 mm/rev**

## HK Broaching Tools for Hexagon Keys

The HK broaching system have been developed to machine internal keyways inside blind or through holes, using CNC machines.

### Working Demo

- To use with C.P.T. standard SIM Bar Holders
- The holder can be located directly in the turret or the machine spindle
- Holder with rear clamping screw for full support during operation
- Available in **BMK** Grade only.



# Mini Tools



## Vertical Inserts and Toolholders for threading, chamfering, grooving and turning

### Advantages

**Carbide grade:**

BLU-Sub-Micron grade with advanced PVD triple layer coating delivering high heat resistance and smooth cutting operation.

- Carbide shank toolholder provides excellent vibration resistance.
- Long reach.
- Through coolant.
- For threading, grooving, boring and chamfering.
- Quick indexing.

### Typical Applications:

- Long threads or applications requiring over-hang.
- Enables production of threads with large pitch/profile.
- Threading, grooving, boring, profiling and chamfering - It's possible to offer most of the Tiny Tools profiles on the insert.

**Contents:**

Page:

**Contents:**

Page:

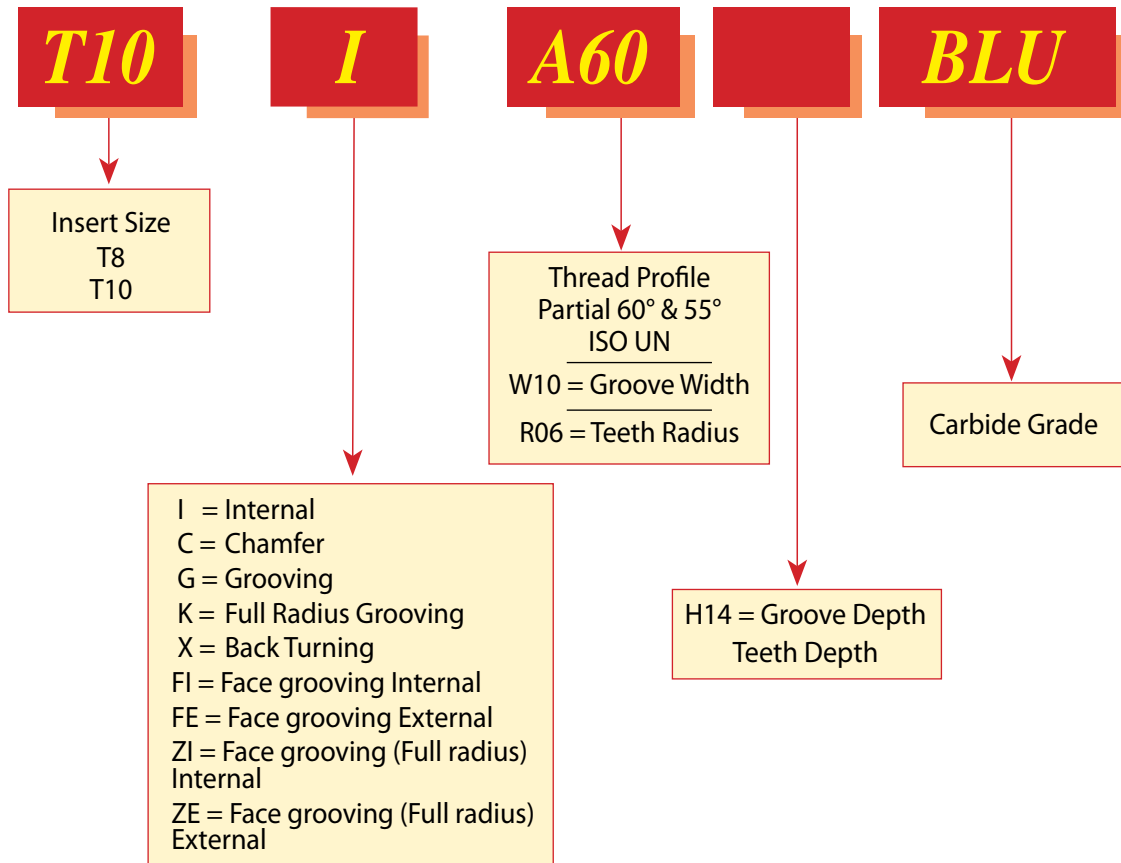
Product Identification  
Partial Profile 60°  
Partial Profile 55°  
ISO  
UN  
Chamfering  
Grooving

106  
107  
107  
108  
108  
109  
109

Full Radius Grooving  
Back Turning  
Face Grooving  
Face Grooving Full Radius  
Carbide Shank Toolholder  
Steel Toolholders  
Technical Section

110  
110  
111  
112  
113  
113  
114

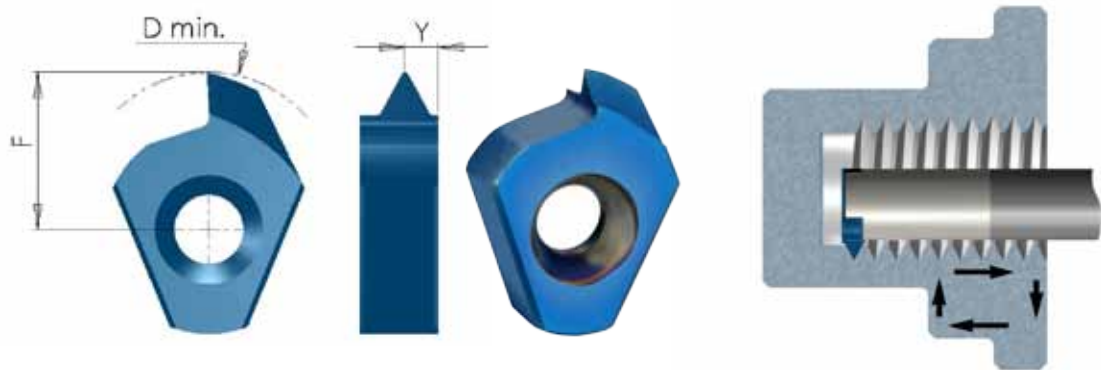
## Product Identification





## Partial Profile 60°

Same insert for internal and external thread



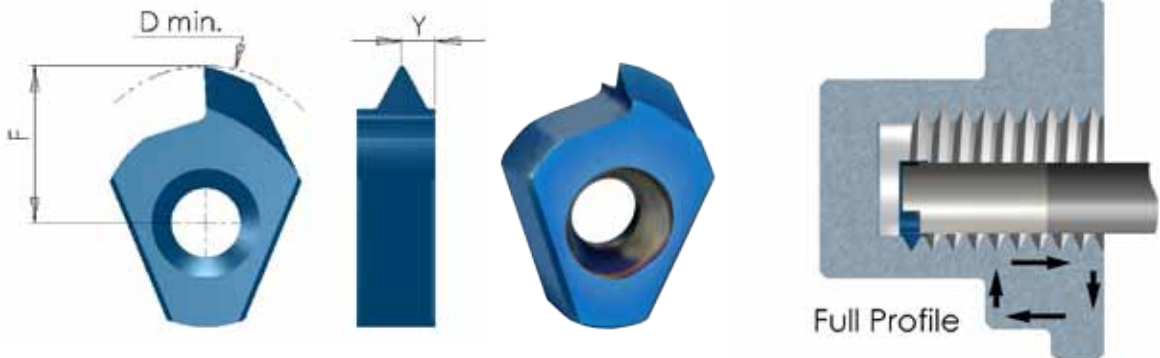
Insert Type	Ordering Code	Pitch Range mm	Pitch Range TPI	D min	F	Y
T8	<b>T8 A60</b>	Int 0.5-0.75 Ex 0.4- 0.75	56-32 64-32	8.0	3.7	0.6
	<b>T8 G60</b>	Int 1.0-1.25 Ex 0.8- 1.0	28-20 32-28	8.4	4.1	0.8
T10	<b>T10 A60</b>	Int 0.5-0.8 Ex 0.4-0.8	56-28 64-32	11.6	6.4	0.6
	<b>T10 G60</b>	Int 1.0-2.0 Ex 0.8-1.75	28-13 32-15	12.3	7.1	1.3
	<b>T10 D60</b>	Int 2.0-3.0 Ex 1.75-2.5	13-8 15-10	13.1	7.9	1.5

## Partial Profile 55°

Same insert for internal and external thread

Insert Type	Ordering Code	Pitch Range mm	Pitch Range TPI	D min	F	Y
T8	<b>T8 G55</b>	1.25-1.5	19-18	9.1	4.8	1.0
	<b>T8 U55</b>	1.75-2.0	16-14	8.7	4.4	1.2
T10	<b>T10 G55</b>	1.25-2.0	19-14	12.4	7.2	1.2

## Full Profile



### ISO

Inserts for internal thread

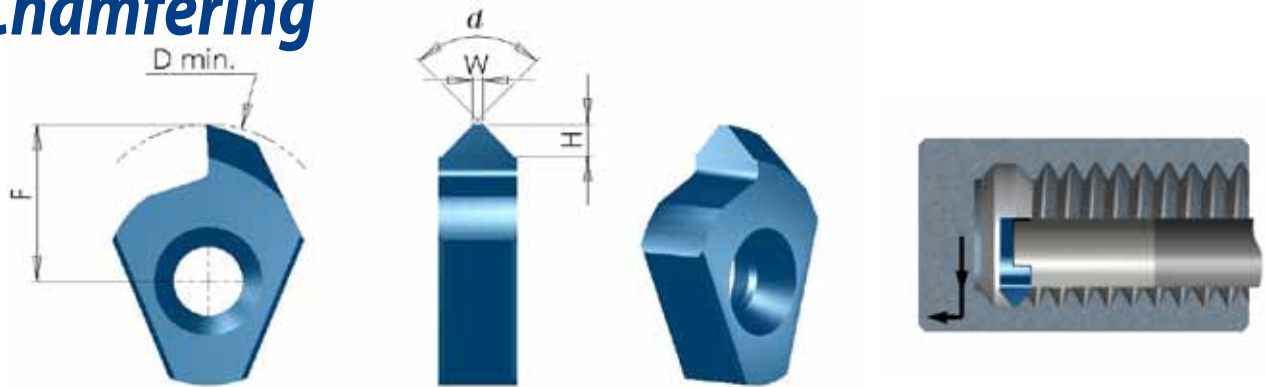
Insert Type	Ordering Code	Pitch mm	M coarse	M fine	D min	F	Y
T8	T8 I 0.5 ISO	0.5		M8.5	8.0	3.6	0.5
	T8 I 0.75 ISO	0.75		M9	8.1	3.8	0.6
	T8 I 1.0 ISO	1.0		M9	8.0	3.7	0.7
	T8 I 1.25 ISO	1.25		M10	8.2	3.9	0.8
	T8 I 1.5 ISO	1.5	M10	M12	8.4	4.1	1.0
	T8 I 1.75 ISO	1.75	M12	-	8.6	4.3	1.1
	T8 I 2.0 ISO	2.0	M14	M17	8.8	4.5	1.3
T10	T10 I 0.5 ISO	0.5		M12	11.3	6.1	0.5
	T10 I 0.75 ISO	0.75		M12	11.3	6.1	0.6
	T10 I 1.0 ISO	1.0		M13	11.7	6.5	0.7
	T10 I 1.5 ISO	1.5		M14	11.7	6.5	1.0
	T10 I 2.0 ISO	2.0	M16	M17	12.0	6.8	1.3
	T10 I 2.5 ISO	2.5	M18, M20	-	12.6	7.4	1.4
	T10 I 3.0 ISO	3.0	M24	M28	12.6	7.4	1.6

### UN

Inserts for internal thread

Insert Type	Ordering Code	Pitch TPI	Nominal size	UNC	UNF	UNEF	D min	F	Y
T8	T8 I 32UN	32	7/16, 1/2			3/8	8.3	4.0	0.6
	T8 I 28UN	28	3/8			7/16, 1/2	8.3	4.0	0.7
	T8 I 24UN	24			3/8		8.3	4.0	0.7
	T8 I 20UN	20	3/8		7/16, 1/2		8.2	3.9	0.9
	T8 I 16UN	16	7/16, 1/2				8.7	4.4	1.0
	T8 I 14UN	14		7/16			8.8	4.5	1.2
T10	T10 I 20UN	20	9/16, 5/8, 11/16			3/4	12.0	6.8	0.9
	T10 I 18UN	18			9/16, 5/8		12.0	6.8	1.0
	T10 I 16UN	16	9/16, 5/8, 11/16		3/4		12.0	6.8	1.1
	T10 I 14UN	14			7/8		12.1	6.9	1.2
	T10 I 12UN	12	5/8, 11/16, 3/4	9/16			12.1	6.9	1.4
	T10 I 11UN	11		5/8			12.5	7.3	1.5

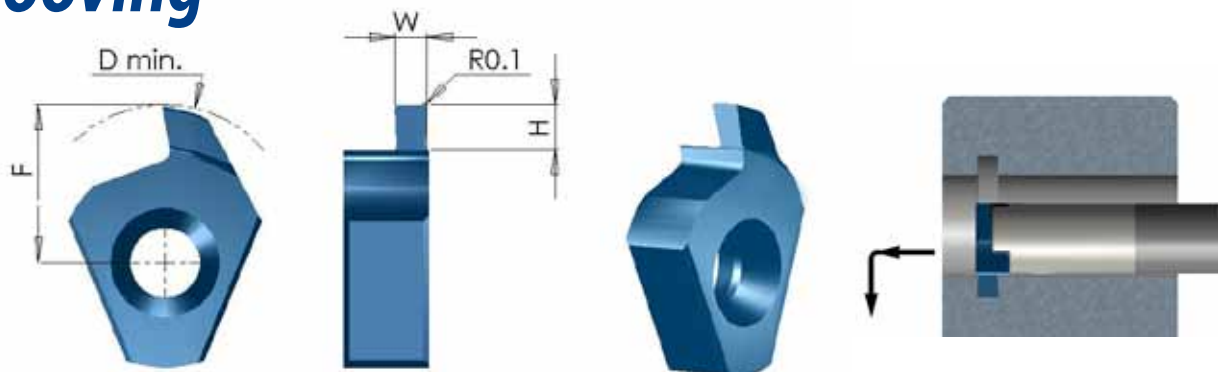
## Chamfering



Insert Type	Ordering Code	W	H max	$\alpha$	D min	F
T8	<b>T8 C90</b>	0.2	1.4	90°	8.8	4.5
T10	<b>T10 C90</b>	0.2	1.8	90°	12.7	7.5

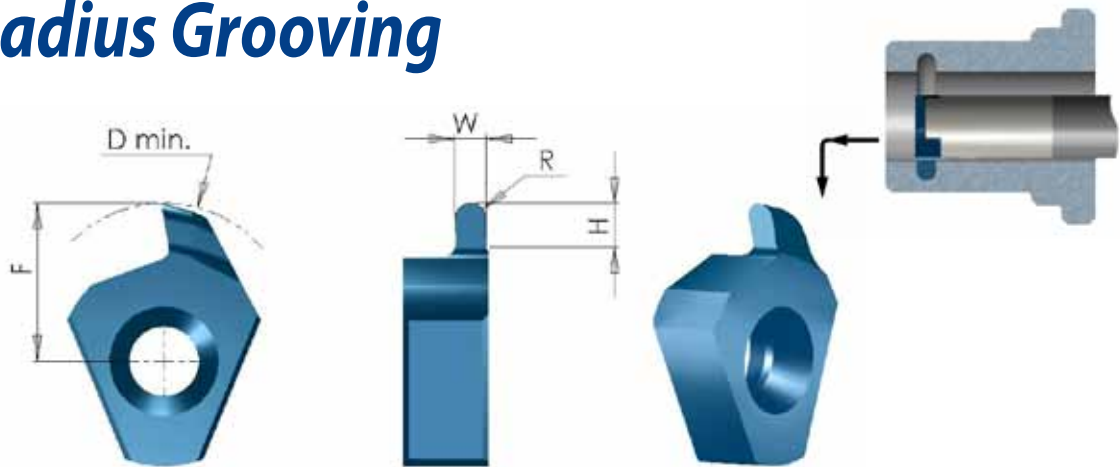
Same insert for right and left hand chamfers

## Grooving



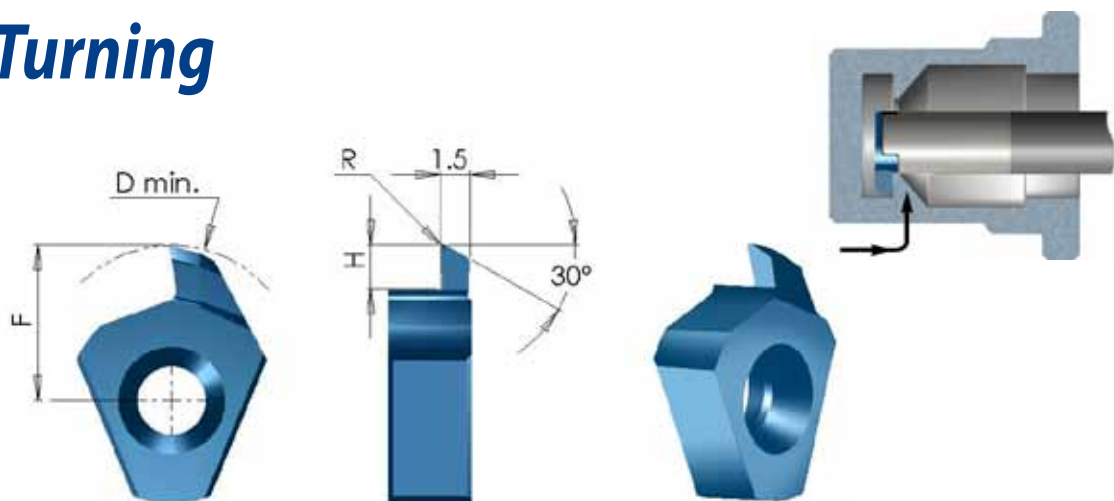
Insert Type	Ordering Code	W $\pm 0.02$	H max	D min	F
T8	<b>T8 G W10 H20</b>	1.0	2.0	9.4	5.1
	<b>T8 G W15 H20</b>	1.5			
	<b>T8 G W20 H20</b>	2.0			
	<b>T8 G W25 H20</b>	2.5			
	<b>T8 G W30 H20</b>	3.0			
T10	<b>T10 G W10 H14</b>	1.0	1.4	12.3	7.1
	<b>T10 G W15 H14</b>	1.5			
	<b>T10 G W20 H14</b>	2.0			
T10	<b>T10 G W10 H23</b>	1.0	2.3	13.1	7.9
	<b>T10 G W15 H23</b>	1.5			
	<b>T10 G W20 H23</b>	2.0			
	<b>T10 G W25 H23</b>	2.5			
	<b>T10 G W30 H23</b>	3.0			

## Full Radius Grooving



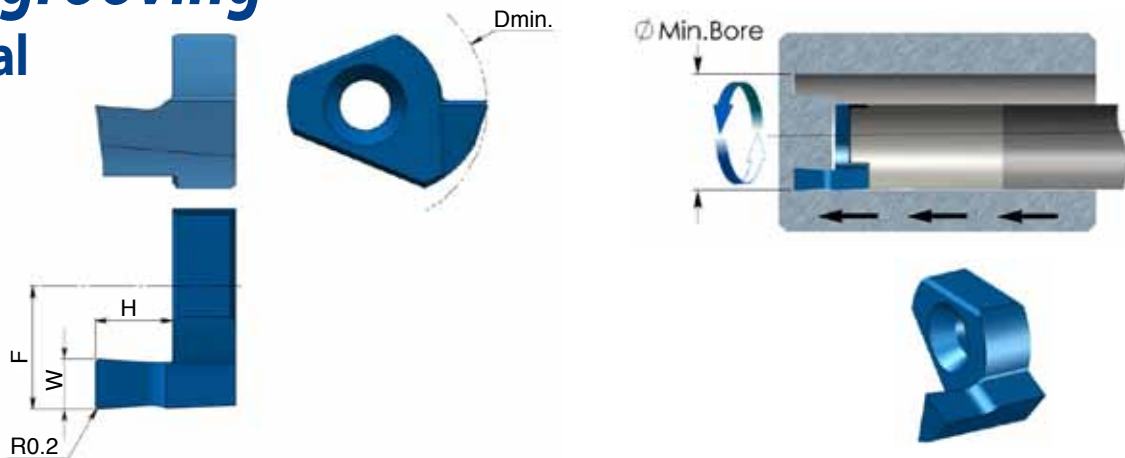
Insert Type	Ordering Code	W ±0.02	R	H max	D min	F
T8	T8 K R04 H10	0.8	0.4	1.0	8.4	4.1
	T8 K R06 H10	1.2	0.6			
	T8 K R09 H10	1.8	0.9			
T10	T10 K R04 H22	0.8	0.4	2.2	13.1	7.9
	T10 K R06 H22	1.2	0.6			
	T10 K R09 H22	1.8	0.9			
	T10 K R10 H22	2.0	1.0			

## Back Turning



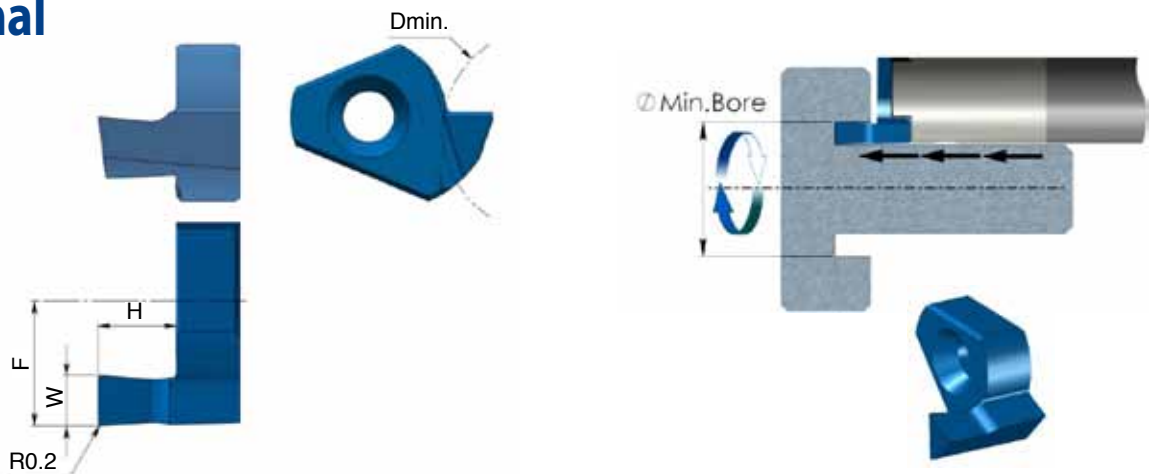
Insert Type	Ordering Code	R	H max	D min	F
T8	T8 X R02 H20	0.2	2.0	9.4	5.1
T10	T10 X R02 H23	0.2	2.3	13.1	7.9
	T10 X R04 H23	0.4			

## Face grooving Internal



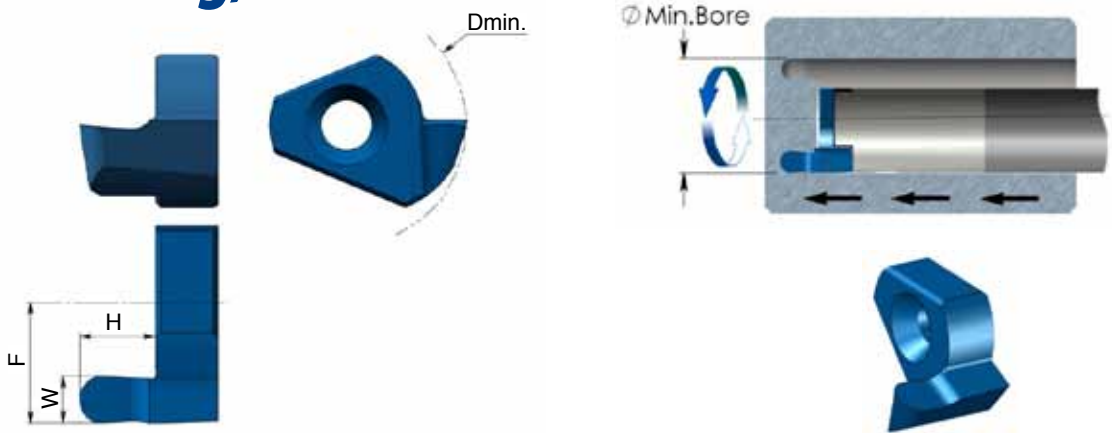
Insert Type	Ordering Code	W ±0.02	H max	D min	F
T10	T10 FI W10 H15	1.0	1.5	14.0	8.0
	T10 FI W15 H25	1.5	2.5		
	T10 FI W20 H30	2.0	3.0		
	T10 FI W20 H50	2.0	5.0		
	T10 FI W25 H30	2.5	3.0		
	T10 FI W25 H50	2.5	5.0		
	T10 FI W30 H30	3.0	3.0		
	T10 FI W30 H50	3.0	5.0		

## External



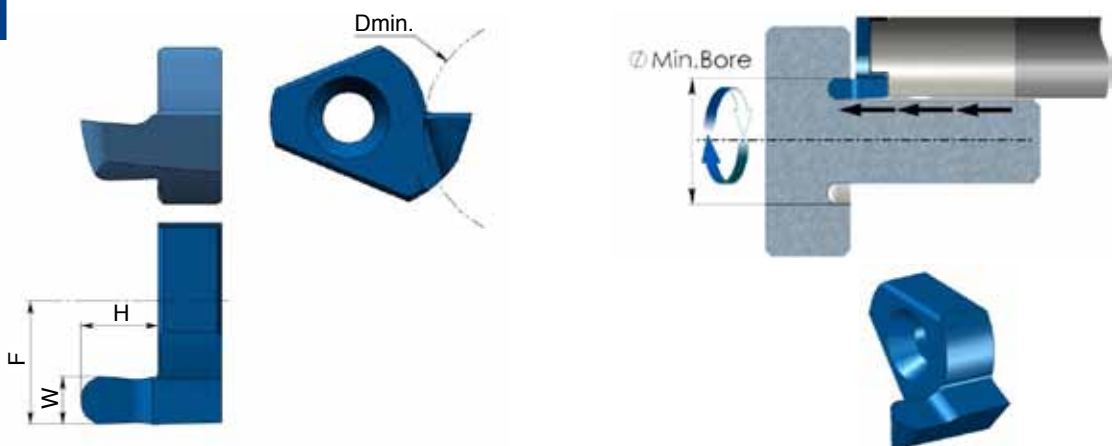
Insert Type	Ordering Code	W ±0.02	H max	D min	F
T10	T10 FE W10 H15	1.0	1.5	12.0	8.0
	T10 FE W15 H25	1.5	2.5		
	T10 FE W20 H30	2.0	3.0		
	T10 FE W20 H50	2.0	5.0		
	T10 FE W25 H30	2.5	3.0		
	T10 FE W25 H50	2.5	5.0		
	T10 FE W30 H30	3.0	3.0		
	T10 FE W30 H50	3.0	5.0		

## Face grooving, Full radius Internal



Insert Type	Ordering Code	W ±0.02	R	H max	D min	F
T10	T10 ZI R05 H15	1.0	0.5	1.5	14.0	8.0
	T10 ZI R08 H25	1.6	0.8	2.5		
	T10 ZI R10 H30	2.0	1.0	3.0		
	T10 ZI R125 H30	2.5	1.25	3.0		
	T10 ZI R15 H30	3.0	1.5	3.0		

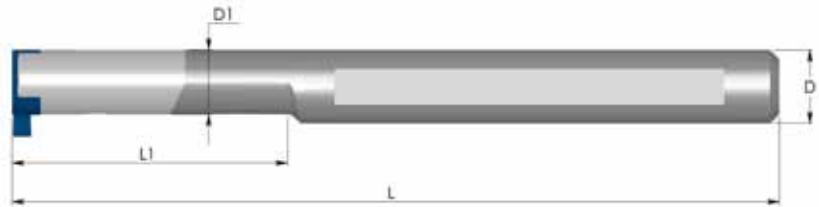
## External



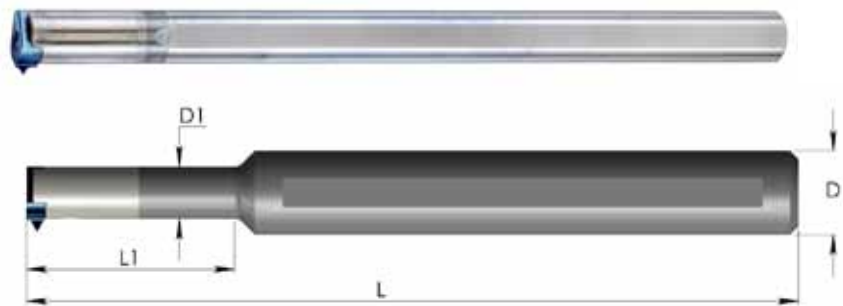
Insert Type	Ordering Code	W ±0.02	R	H max	D min	F
T10	T10 ZE R05 H15	1.0	0.5	1.5	12.0	8.0
	T10 ZE R08 H25	1.6	0.8	2.5		
	T10 ZE R10 H30	2.0	1.0	3.0		
	T10 ZE R125 H30	2.5	1.25	3.0		
	T10 ZE R15 H30	3.0	1.5	3.0		

## Carbide Shank Toolholders

With through coolant



Insert Type	Ordering Code	D	D1	L1	L	Insert Screw	Torx Key
T8	ST 0008 L20 F08C	8	7	20	80	S5	K5
	ST 0008 L30 G08C	8	7	30	95	S5	K5
	ST 0008 L40 H08C	8	7	40	105	S5	K5



Insert Type	Ordering Code	D	D1	L1	L	Insert Screw	Torx Key
T10	ST 0010 M10C	10	10	-	150	S11	K11
	ST 0012 L40 J10C	12	10	40	110	S11	K11
	ST 0012 L55 K10C	12	10	55	125	S11	K11

## Steel Toolholders

With through coolant



Insert Type	Ordering Code	D	D1	L1	L	Insert Screw	Torx Key
T10	ST 0012 L25 E10	12	10	25	70	S11	K11
	ST 0016 L25 G10	16	10	25	90	S11	K11
	ST 0016 L35 H10	16	10	35	100	S11	K11

## Technical Section

### Cutting Data

ISO	Materials	Cutting Speed m/min	Recommended feed rate mm/rev
<b>P</b>	Low and Medium Carbon Steels <0.55%C	25 - 70	Grooving: 0.01-0.03 Back turning: 0.03-0.10 Face grooving: 0.01-0.08 Chamfering: 0.02-0.08
	High Carbon Steels ≥0.55%C	20 - 50	
	Alloy Steels, Treated Steels	15 - 30	
<b>M</b>	Stainless Steels - Free Cutting	25 - 70	
	Stainless Steels - Austenitic	20 - 40	
	Cast Steels	30 - 70	
<b>K</b>	Cast Iron	15 - 30	
<b>N</b>	Aluminum ≤12%Si, Copper	30 - 90	
	Aluminum >12% Si	20 - 70	
	Synthetics, Duroplastics, Thermoplastics	20 - 70	
<b>S</b>	Nickel Alloys, Titanium Alloys	20 - 50	
<b>H</b>	Hardened Steel 45 - 50HRc	10 - 40	

### Threading Passes

Pitch:	mm	0.5	0.7	0.8	1.0	1.25	1.5	2-5
	TPI	48	36	32	24	20	16	
Number of Passes		6-12	7-14	7-16	8-18	8-20	10-22	20-38



# Swiss-Line



## Contents:

Page:

## Contents:

Page:

Introduction	116	Threading - Partial Profile 55°	124
Product Identification - Inserts	117	Threading - ISO metric 60°	125
Grooving	118	Threading - UN unified 60°	126
Grooving and Profiling (full radius)	119	Product Identification - Toolholders	127
Parting Off	120-121	External Toolholders	127-128
Back Turning	122	Grooving, Parting Off, Turning, Profiling,	129
Front Turning	122	Threading, Working Method	
Threading - Partial Profile 60°	123	Cutting Data	130

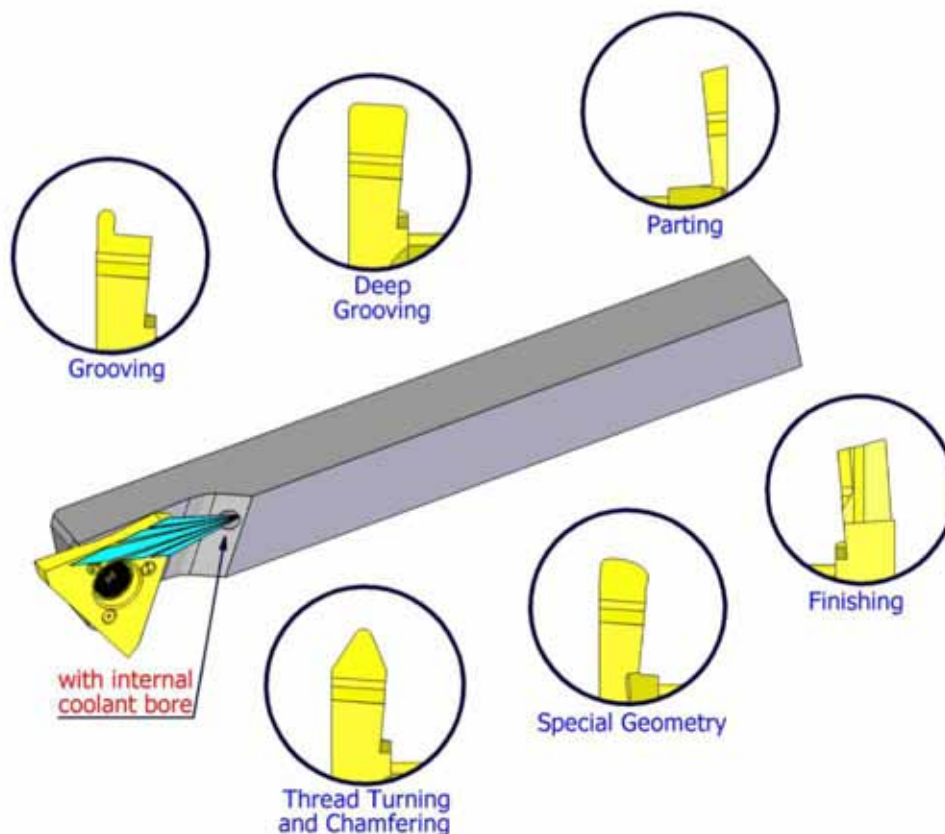
## Swiss-Line

- Swiss style lathes are becoming a popular alternative to large lathes and machining centers in many companies.
- C.P.T. is introducing Swiss line of inserts and toolholders, developed for automatic and Swiss style lathes.
- Designed for economic production of parting, grooving, profiling and chamfering.

## Advantages

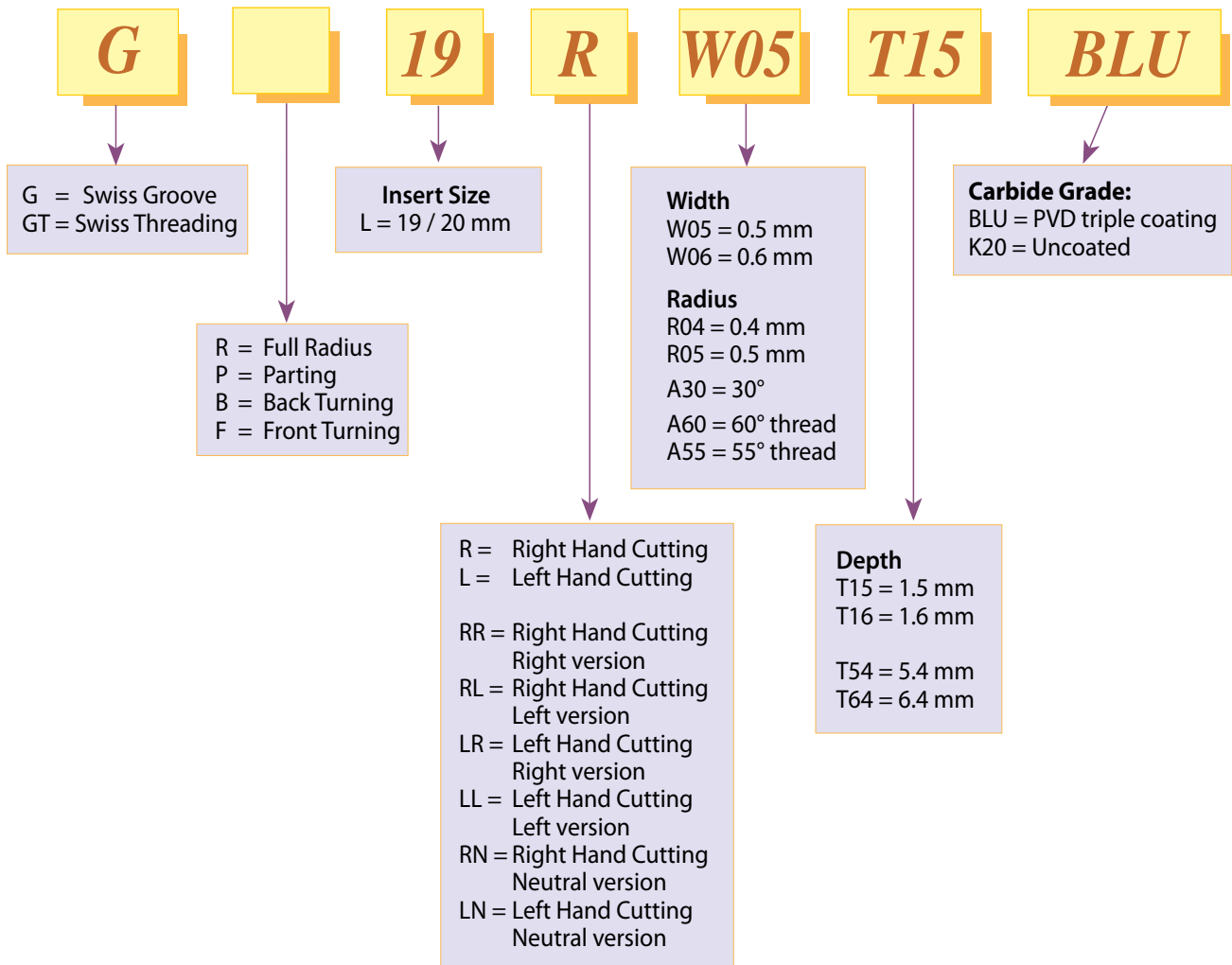
Advanced sub-micron grade (K10-K30) - a combination of strength, toughness, wear resistance and edge sharpness.

- Grounded cutting edges.
- Advanced and unique PVD triple coating, for high wear and heat resistance.
- For most types of material, including Stainless Steels, Titanium and Super Alloys.

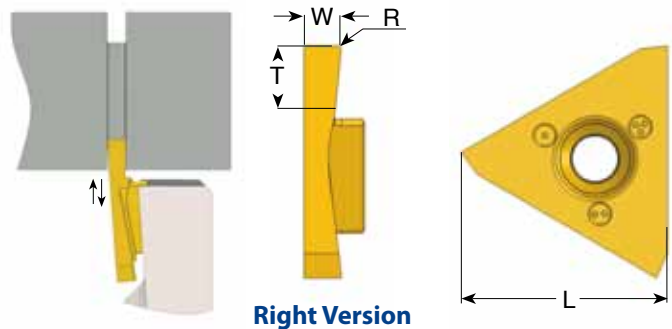


- Three cutting edges.
- The insert can be indexed directly on the machine.
- Internal coolant to the cutting edge.

## Product Identification - Inserts



## Grooving



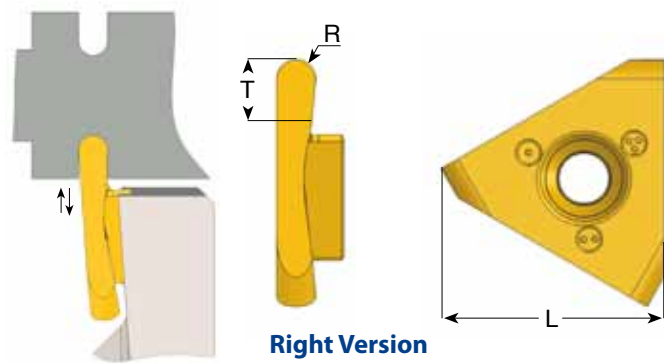
### Right hand cutting

L	Ordering Code	W ±0.02	T max	R	Feed mm/rev	
					Radial	Axial
19	G19 R W05 T15	0.5	1.5	0	0.01-0.06	0.02-0.10
	G19 R W06 T16	0.6	1.6	0	0.01-0.06	0.02-0.10
	G19 R W07 T17	0.75	1.7	0	0.01-0.06	0.02-0.10
	G19 R W08 T18	0.8	2.0	0.05	0.01-0.06	0.02-0.10
	G19 R W10 T22	1.0	2.5	0.05	0.02-0.07	0.02-0.10
	G19 R W12 T24	1.2	3.0	0.05	0.02-0.07	0.02-0.10
	G19 R W14 T28	1.4	3.0	0.05	0.03-0.08	0.02-0.10
	G19 R W15 T30	1.5	3.0	0.05	0.03-0.08	0.02-0.10
20	G19 R W17 T34	1.7	4.0	0.05	0.04-0.09	0.02-0.20
	G20 R W20 T40	2.0	4.0	0.1	0.05-0.10	0.02-0.20
	G20 R W22 T45	2.25	5.0	0.1	0.05-0.10	0.02-0.20
	G20 R W25 T50	2.5	6.0	0.1	0.05-0.10	0.02-0.20
	G20 R W30 T60	3.0	6.0	0.1	0.05-0.10	0.02-0.20

### Left hand cutting

L	Ordering Code	W ±0.02	T max	R	Feed mm/rev	
					Radial	Axial
19	G19 L W05 T15	0.5	1.5	0	0.01-0.06	0.02-0.10
	G19 L W06 T16	0.6	1.6	0	0.01-0.06	0.02-0.10
	G19 L W07 T17	0.75	1.7	0	0.01-0.06	0.02-0.10
	G19 L W08 T18	0.8	2.0	0.05	0.01-0.06	0.02-0.10
	G19 L W10 T22	1.0	2.5	0.05	0.02-0.07	0.02-0.10
	G19 L W12 T24	1.2	3.0	0.05	0.02-0.07	0.02-0.10
	G19 L W14 T28	1.4	3.0	0.05	0.03-0.08	0.02-0.10
	G19 L W15 T30	1.5	3.0	0.05	0.03-0.08	0.02-0.10
20	G19 L W17 T34	1.7	4.0	0.05	0.04-0.09	0.02-0.20
	G20 L W20 T40	2.0	4.0	0.1	0.05-0.10	0.02-0.20
	G20 L W22 T45	2.25	5.0	0.1	0.05-0.10	0.02-0.20
	G20 L W25 T50	2.5	6.0	0.1	0.05-0.10	0.02-0.20
	G20 L W30 T60	3.0	6.0	0.1	0.05-0.10	0.02-0.20

## Grooving and Profiling (full radius)



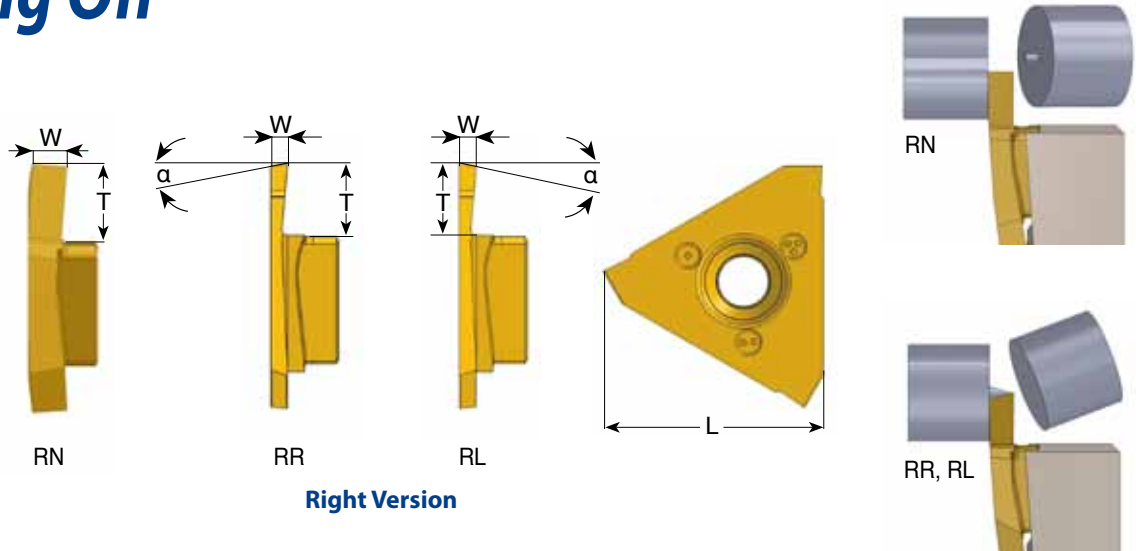
### Right hand cutting

L	Ordering Code	R $\pm 0.03$	T max	Feed mm/rev	
				Radial	Axial
19	GR19 R R02 T15	0.25	1.5	0.01-0.06	0.02-0.10
	GR19 R R04 T18	0.40	2.0	0.01-0.06	0.02-0.10
	GR19 R R05 T22	0.50	2.5	0.02-0.07	0.02-0.10
	GR19 R R06 T26	0.60	3.0	0.02-0.07	0.02-0.10
	GR19 R R08 T33	0.80	3.5	0.04-0.09	0.02-0.20
	GR19 R R10 T40	1.00	4.0	0.05-0.10	0.02-0.20
20	GR20 R R12 T50	1.25	6.0	0.05-0.10	0.02-0.20
	GR20 R R15 T60	1.50	6.0	0.05-0.10	0.02-0.20

### Left hand cutting

L	Ordering Code	R $\pm 0.03$	T max	Feed mm/rev	
				Radial	Axial
19	GR19 L R02 T15	0.25	1.5	0.01-0.06	0.02-0.10
	GR19 L R04 T18	0.40	2.0	0.01-0.06	0.02-0.10
	GR19 L R05 T22	0.50	2.5	0.02-0.07	0.02-0.10
	GR19 L R06 T26	0.60	3.0	0.02-0.07	0.02-0.10
	GR19 L R08 T33	0.80	3.5	0.04-0.09	0.02-0.20
	GR19 L R10 T40	1.00	4.0	0.05-0.10	0.02-0.20
20	GR20 L R12 T50	1.25	6.0	0.05-0.10	0.02-0.20
	GR20 L R15 T60	1.50	6.0	0.05-0.10	0.02-0.20

## Parting Off

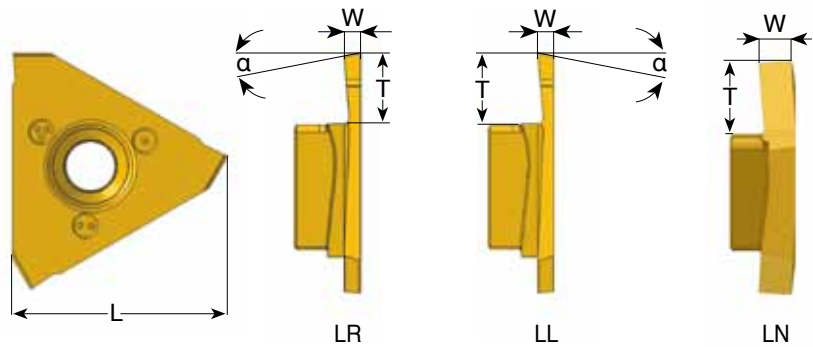


Right Version

### Right hand cutting

L	Ordering Code	W	α°	T max	Feed mm/rev Radial
19	GP19 RR W10 T54	1.0	15	5.4	0.02-0.09
	GP19 RL W10 T54	1.0	15	5.4	0.02-0.09
	GP19 RN W10 T54	1.0	0	5.4	0.02-0.09
	GP19 RR W12 T54	1.2	15	5.4	0.02-0.09
	GP19 RL W12 T54	1.2	15	5.4	0.02-0.09
	GP19 RN W12 T54	1.2	0	5.4	0.02-0.09
20	GP20 RR W15 T64	1.5	15	6.4	0.04-0.10
	GP20 RL W15 T64	1.5	15	6.4	0.04-0.10
	GP20 RN W15 T64	1.5	0	6.4	0.04-0.10
	GP20 RR W18 T64	1.8	15	6.4	0.04-0.10
	GP20 RL W18 T64	1.8	15	6.4	0.04-0.10
	GP20 RN W18 T64	1.8	0	6.4	0.04-0.10
	GP20 RR W20 T64	2.0	15	6.4	0.05-0.12
	GP20 RL W20 T64	2.0	15	6.4	0.05-0.12
	GP20 RN W20 T64	2.0	0	6.4	0.05-0.12
	GP20 RR W25 T64	2.5	15	6.4	0.05-0.12
	GP20 RL W25 T64	2.5	15	6.4	0.05-0.12
	GP20 RN W25 T64	2.5	0	6.4	0.05-0.12
	GP20 RR W30 T64	3.0	15	6.4	0.05-0.12
	GP20 RL W30 T64	3.0	15	6.4	0.05-0.12
GP20 RN W30 T64	3.0	0	6.4	0.05-0.12	

## Parting Off

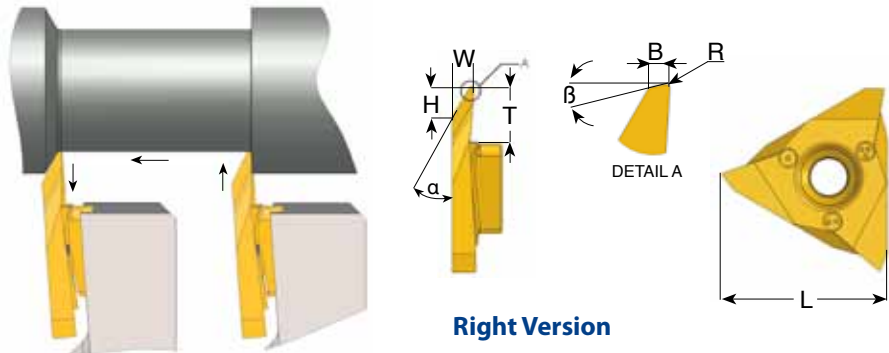


Left Version

### Left hand cutting

L	Ordering Code	W	$\alpha^\circ$	T max	Feed mm/rev Radial
19	GP19 LR W10 T54	1.0	15	5.4	0.02-0.09
	GP19 LL W10 T54	1.0	15	5.4	0.02-0.09
	GP19 LN W10 T54	1.0	0	5.4	0.02-0.09
	GP19 LR W12 T54	1.2	15	5.4	0.02-0.09
	GP19 LL W12 T54	1.2	15	5.4	0.02-0.09
	GP19 LN W12 T54	1.2	0	5.4	0.02-0.09
20	GP20 LR W15 T64	1.5	15	6.4	0.04-0.10
	GP20 LL W15 T64	1.5	15	6.4	0.04-0.10
	GP20 LN W15 T64	1.5	0	6.4	0.04-0.10
	GP20 LR W18 T64	1.8	15	6.4	0.04-0.10
	GP20 LL W18 T64	1.8	15	6.4	0.04-0.10
	GP20 LN W18 T64	1.8	0	6.4	0.04-0.10
	GP20 LR W20 T64	2.0	15	6.4	0.05-0.12
	GP20 LL W20 T64	2.0	15	6.4	0.05-0.12
	GP20 LN W20 T64	2.0	0	6.4	0.05-0.12
	GP20 LR W25 T64	2.5	15	6.4	0.05-0.12
	GP20 LL W25 T64	2.5	15	6.4	0.05-0.12
	GP20 LN W25 T64	2.5	0	6.4	0.05-0.12
	GP20 LR W30 T64	3.0	15	6.4	0.05-0.12
	GP20 LL W30 T64	3.0	15	6.4	0.05-0.12
GP20 LN W30 T64	3.0	0	6.4	0.05-0.12	

## Back Turning



### Right hand cutting

L	Ordering Code	$\alpha^\circ$	$\beta^\circ$	R	W	H	B	T	Feed mm/rev
19	<b>GB19 R A30</b>	30	12	0.1	3.4	4.3	0.5	5.4	0.05-0.15
20	<b>GB20 R A30</b>	30	12	0.1	3.4	4.3	0.5	6.4	0.05-0.15

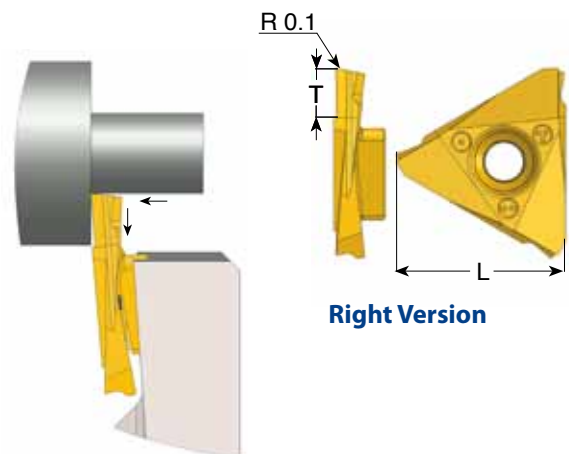
### Left hand cutting

L	Ordering Code	$\alpha^\circ$	$\beta^\circ$	R	W	H	B	T	Feed mm/rev
19	<b>GB19 L A30</b>	30	12	0.1	3.4	4.3	0.5	5.4	0.05-0.15
20	<b>GB20 L A30</b>	30	12	0.1	3.4	4.3	0.5	6.4	0.05-0.15

## Front Turning

### Right hand cutting

L	Ordering Code	T	Feed mm/rev
19	<b>GF19 R T54</b>	5.4	0.05-0.15
20	<b>GF20 R T64</b>	6.4	0.05-0.15

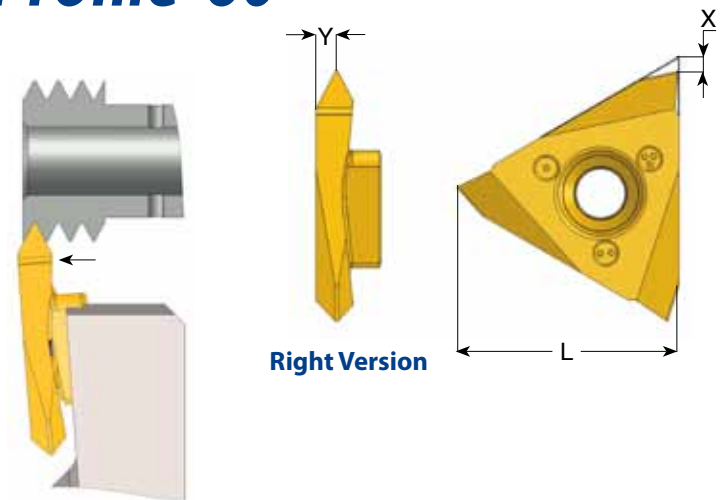


### Left hand cutting

L	Ordering Code	T	Feed mm/rev
19	<b>GF19 L T54</b>	5.4	0.05-0.15
20	<b>GF20 L T64</b>	6.4	0.05-0.15



## Threading - Partial Profile 60° External Thread



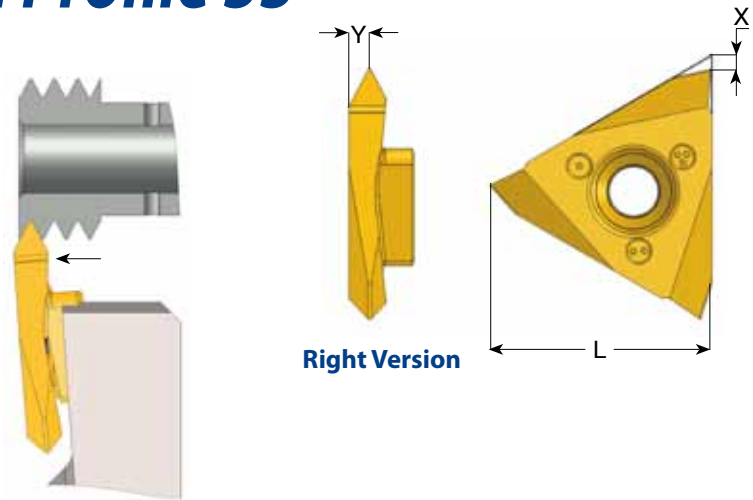
### Right hand cutting

L	mm	TPI	Ordering Code	X	Y
19	0.5-1.5	48-16	<b>GT19 R A60</b>	2.8	1.1
	1.75-3.0	14-8	<b>GT19 R G60</b>	2.8	1.7
	0.5-3.0	48-8	<b>GT19 R AG60</b>	2.8	1.7

### Left hand cutting

L	mm	TPI	Ordering Code	X	Y
19	0.5-1.5	48-16	<b>GT19 L A60</b>	2.8	1.1
	1.75-3.0	14-8	<b>GT19 L G60</b>	2.8	1.7
	0.5-3.0	48-8	<b>GT19 L AG60</b>	2.8	1.7

## Threading - Partial Profile 55° External Thread



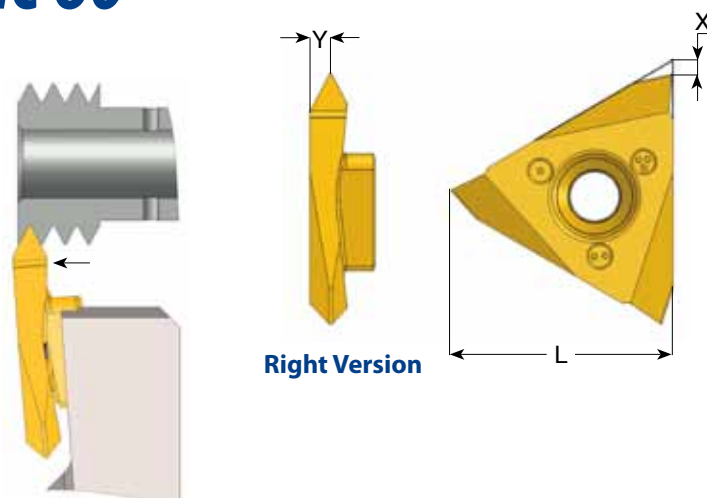
### Right hand cutting

L	mm	TPI	Ordering Code	X	Y
19	0.5-1.5	48-16	<b>GT19 R A55</b>	2.8	1.0
	1.75-3.0	14-8	<b>GT19 R G55</b>	2.8	1.7
	0.5-3.0	48-8	<b>GT19 R AG55</b>	2.8	1.7

### Left hand cutting

L	mm	TPI	Ordering Code	X	Y
19	0.5-1.5	48-16	<b>GT19 L A55</b>	2.8	1.0
	1.75-3.0	14-8	<b>GT19 L G55</b>	2.8	1.7
	0.5-3.0	48-8	<b>GT19 L AG55</b>	2.8	1.7

## Threading - ISO metric 60° External Thread



Right Version

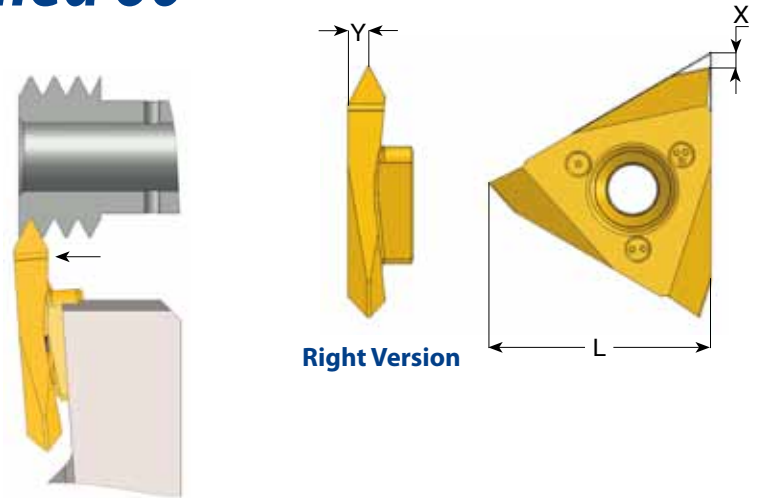
### Right hand cutting

L	mm	Ordering Code	X	Y
19	0.5	GT19 R 0.5 ISO	2.8	0.6
	0.7	GT19 R 0.7 ISO	2.8	0.7
	0.75	GT19 R 0.75 ISO	2.8	0.7
	0.8	GT19 R 0.8 ISO	2.8	0.7
	1.0	GT19 R 1.0 ISO	2.8	0.8
	1.25	GT19 R 1.25 ISO	2.8	1.0
	1.5	GT19 R 1.5 ISO	2.8	1.1
	1.75	GT19 R 1.75 ISO	2.8	1.3

### Left hand cutting

L	mm	Ordering Code	X	Y
19	0.5	GT19 L 0.5 ISO	2.8	0.6
	0.7	GT19 L 0.7 ISO	2.8	0.7
	0.75	GT19 L 0.75 ISO	2.8	0.7
	0.8	GT19 L 0.8 ISO	2.8	0.7
	1.0	GT19 L 1.0 ISO	2.8	0.8
	1.25	GT19 L 1.25 ISO	2.8	1.0
	1.5	GT19 L 1.5 ISO	2.8	1.1
	1.75	GT19 L 1.75 ISO	2.8	1.3

## Threading - UN unified 60° External Thread



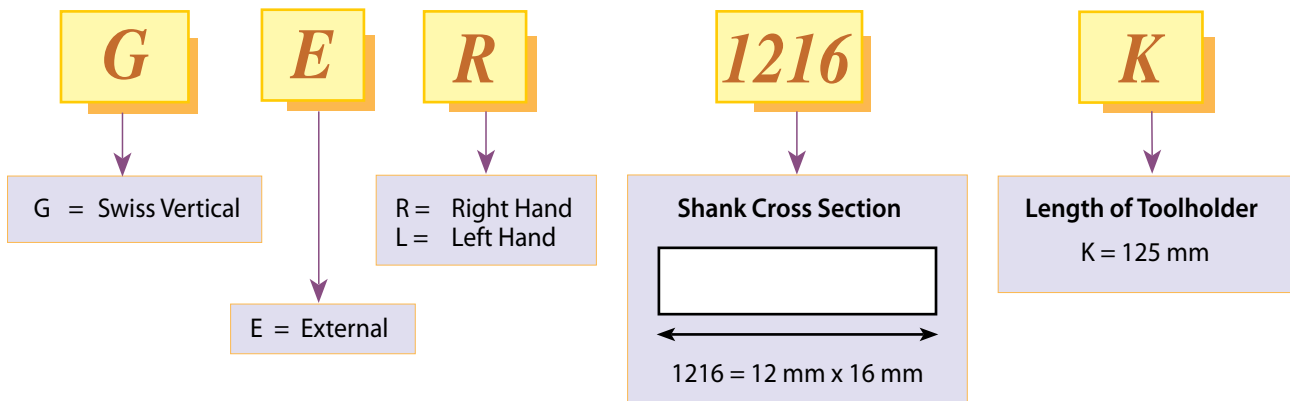
### Right hand cutting

L	TPI	Ordering Code	X	Y
19	72	<b>GT19 R 72UN</b>	2.8	0.4
	56	<b>GT19 R 56UN</b>	2.8	0.6
	40	<b>GT19 R 40UN</b>	2.8	0.7
	32	<b>GT19 R 32UN</b>	2.8	0.7
	24	<b>GT19 R 24UN</b>	2.8	0.8
	20	<b>GT19 R 20UN</b>	2.8	1.0

### Left hand cutting

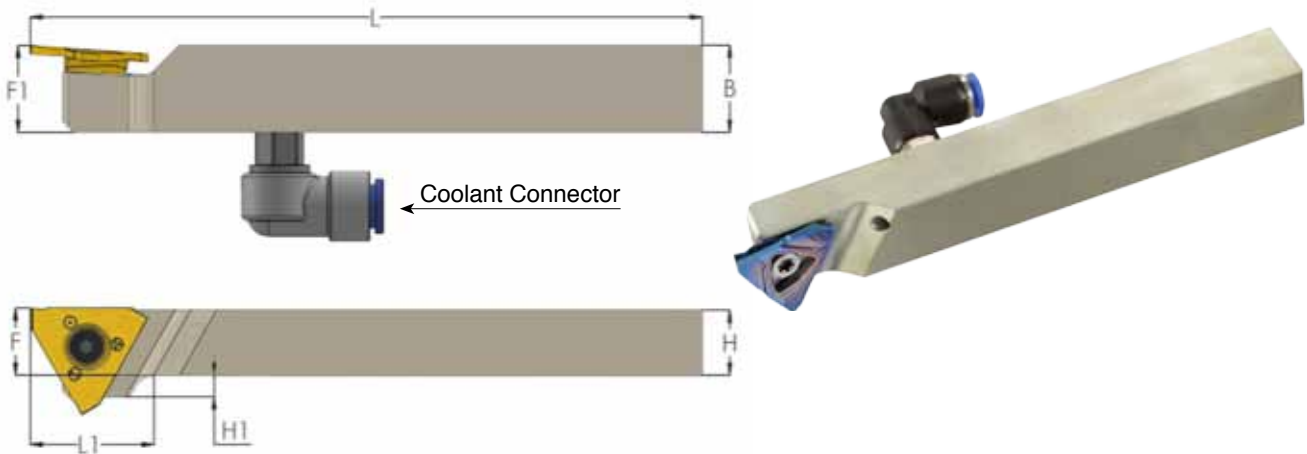
L	TPI	Ordering Code	X	Y
19	72	<b>GT19 L 72UN</b>	2.8	0.4
	56	<b>GT19 L 56UN</b>	2.8	0.6
	40	<b>GT19 L 40UN</b>	2.8	0.7
	32	<b>GT19 L 32UN</b>	2.8	0.7
	24	<b>GT19 L 24UN</b>	2.8	0.8
	20	<b>GT19 L 20UN</b>	2.8	1.0

## Product Identification - Toolholders



## External Toolholders

- Coolant through toolholders, for external turning in Swiss style lathes.
- The high pressure coolant is directed towards the insert cutting edge in order to evacuate the chips created and avoid build up edge.
- Including a coolant connector for a quick setup on the machine.



## Right hand

Ordering Code	B	H	L1	L	F	F1	H1	Insert Screw	Torx Key	*Coolant connector
** GER 0816 K	16	8	17	125	8	16	8	S21	K21	-
GER 1016 K	16	10	17	125	10	16	6	S21	K21	Ø4 / Ø6
GER 1216 K	16	12	17	125	12	16	4	S21	K21	Ø4 / Ø6
GER 1616 K	16	16	-	125	16	16	0	S21	K21	Ø4 / Ø6
GER 2020 K	20	20	-	125	20	20	0	S21	K21	Ø4 / Ø6
GER 2525 M	25	25	-	150	25	25	0	S21	K21	Ø4 / Ø6

\* Diameter of coolant pipe

\*\* Without coolant

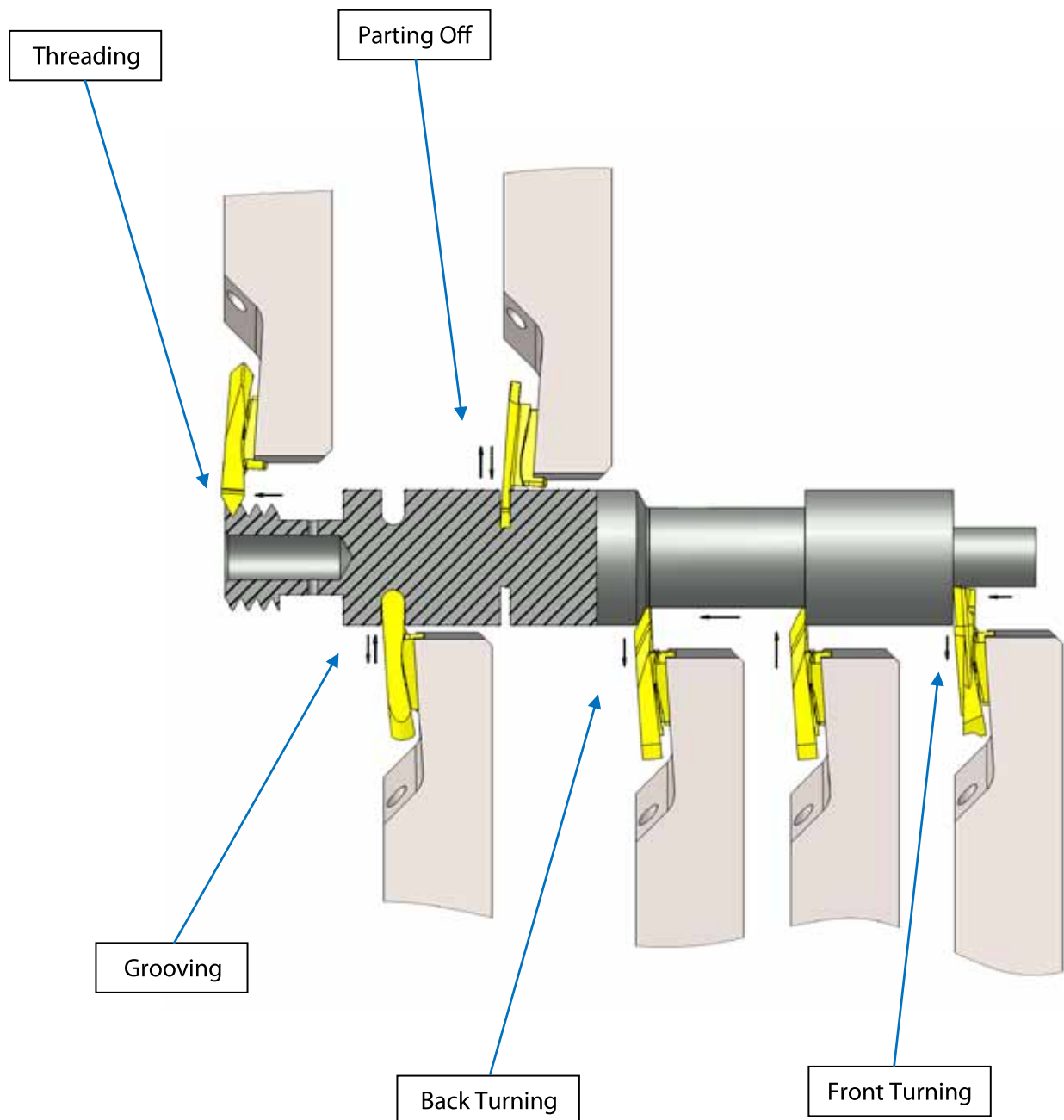
## Left hand

Ordering Code	B	H	L1	L	F	F1	H1	Insert Screw	Torx Key	*Coolant connector
** GEL 0816 K	16	8	17	125	8	16	8	S21	K21	-
GEL 1016 K	16	10	17	125	10	16	6	S21	K21	Ø4 / Ø6
GEL 1216 K	16	12	17	125	12	16	4	S21	K21	Ø4 / Ø6
GEL 1616 K	16	16	-	125	16	16	0	S21	K21	Ø4 / Ø6
GEL 2020 K	20	20	-	125	20	20	0	S21	K21	Ø4 / Ø6
GEL 2525 M	25	25	-	150	25	25	0	S21	K21	Ø4 / Ø6

\* Diameter of coolant pipe

\*\* Without coolant

# Grooving - Parting Off - Turning - Profiling - Threading Working Method



## Carbide Grades

### BLU

PVD triple layer coated Sub-Micron grade for Steel, Stainless Steels, Titanium and hard materials.

### K20

Uncoated Sub-Micron carbide grade for Aluminum and non-ferrous materials, Stainless Steels and Titanium.

ISO Standard	Materials	Cutting Speed m/min	
		K20	BLU
<b>P</b>	Low & Medium Carbon Steels <0.55%C	-	80-150
	High Carbon Steels ≥0.55%C	-	70-120
	Alloy Steels, Treated Steels	-	40- 80
<b>M</b>	Stainless Steel-Free Cutting	30- 80	60-120
	Stainless Steel-Austenitic	20- 70	30- 90
	Cast Steels	30- 80	50-120
<b>K</b>	Cast Iron	50-120	-
<b>N</b>	Aluminum ≤12%Si, Copper	120-250	-
	Aluminum >12%Si	90-200	-
	Synthetics, Duroplastics, Thermoplastics	70-150	-
<b>S</b>	Nickel Alloys, Titanium Alloys	20- 50	30- 70
<b>H</b>	Hardened Steel, 45-50HRc	-	20- 50



# Carbide Shank Turning Tool Holders and Insert

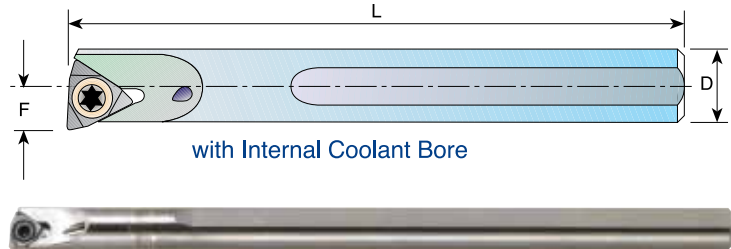


**Contents:**

**Page:**

Carbide Shank Turning Tool Holders and Insert 132

## Carbide Shank Turning Tool Holders and Insert

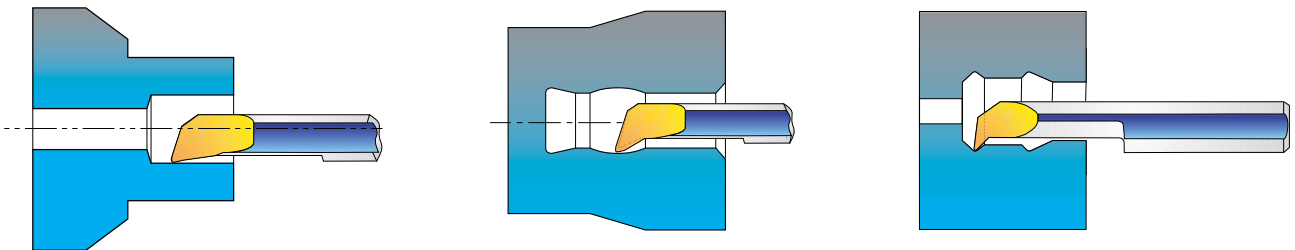


D	Ordering Code	L	F	Min. Bore Dia.	Screw	Key
6	SIR 0006 H06CT	100	3.3	6.5	S6	K6
8	SIR 0008 K06CT	125	4.3	8.6	S6	K6
10	SIR 0010 M06CT	150	5.3	10.6	S6	K6

### Insert Ordering Code: 06 IR TURN BMA

Nose radius R= 0.2mm

For turning small bores see pages 75-81



# Thread Whirling Tools



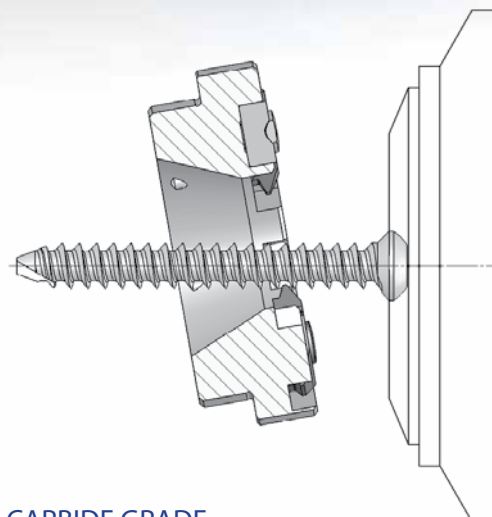
## For Perfect Long Threads on Swiss Type Machines

Thread Whirling is a fast and accurate way to thread long, small diameter parts in exotic materials such as titanium, stainless steel and Inconel.

Whirling inserts and holders can produce a wide range of medical parts such as dental implants and bone screws, automotive parts and semiconductor small parts.

Cutting is the result of the whirling ring rotating eccentrically at high speed about the slowly rotating workpiece. The advancement of the workpiece rotationally and the advancement of the tool head longitudinally correspond to the thread pitch required.

Turning direction of the whirling unit



Turning direction of the bar



**CARBIDE GRADE**

*BMA - PVD TiAlN coated submicrograin for stainless steel, exotic materials.*

### Contents:

Thread Whirling Advantages	134
Product Identification	134
Ordering according to Machine Type or Model	135

### Page: Contents:

Case study	136
Specials	136

## Thread Whirling Advantages

### **Thread Whirling offers several advantages over single point threading:**

Enabling production of small diameter long threads when used on Swiss type machines, the thread whirling spindle works close to the guide bushing for increased support and rigidity.

#### Increased Productivity:

Thread Whirling is performed in a single pass, resulting in a shorter machining time. This eliminates multiple passes required for a single point threading. Thread whirling allows working at high feed rates and consequently short cycle times.

#### Very high surface quality and accurate geometry:

The use of up to 8 cutting edges, higher concentricity, special cutting edge geometry and ideal chip removal, enable top quality surfaces to be produced without burr.

#### Long tool life:

Whirling inserts have a stronger cutting edge than single point tools, because cutter side clearance is achieved by rotating the whirling spindle, not by relieving material under the cutting edge.

#### Faster Setup:

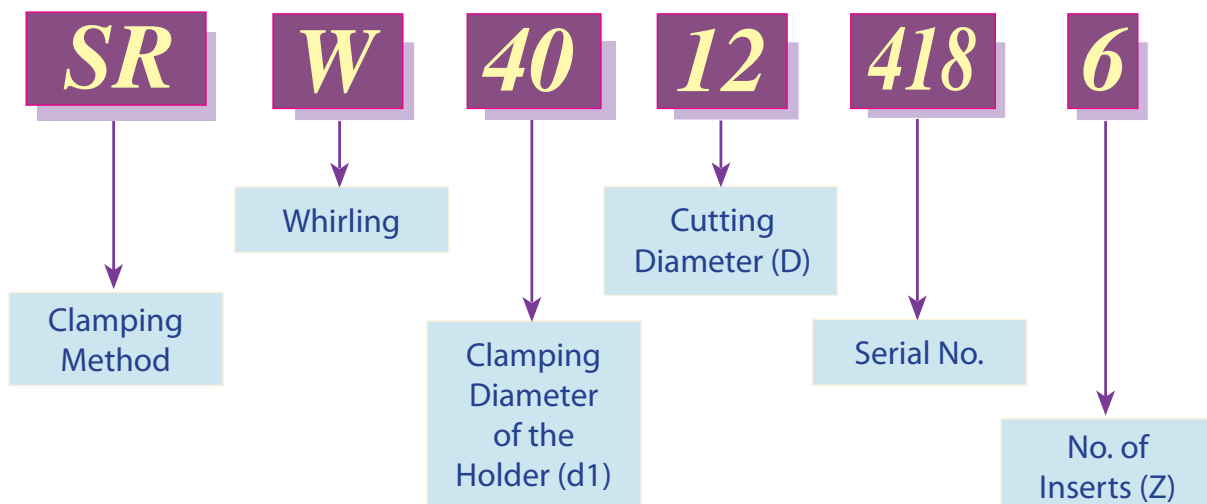
Thread whirling eliminates special support devices and expensive startup development costs.

#### Compensation of large helix angles:

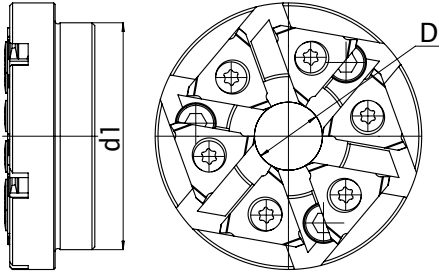
Large helix angles can be compensated by adjusting the whirling unit.

- One toolholder can be used for various applications.
- All toolholders are standard stock items.
- Inserts are made for each application as a special item.
- The toolholders are designed according to different machine types and manufacturers.
- Special adaptors for machine heads are available as stock items.

## Product Identification



## Toolholders



Machine		Drive Unit	Whirling Head Ordering Code	Z	D	d1	Insert Size	Insert Screw	Torx Key
Type	Model								
Star	SV12 / SV20	Star	SRW4012 418 - 6	6	12	40	16	SW16	KW16
			SRW4012 424 - 8	8			11	SW11	KW11
	SR20 / ECAS20		SRW4012 419 - 6	6	12	40	16	SW16	KW16
			SRW4012 425 - 8	8			11	SW11	KW11
Citizen	M12 / M16	PCM	SRW4512 422 - 6	6	12	45	16	SW16	KW16
			SRW4512 426 - 8	8			11	SW11	KW11
	M20 / M32		SRW4512 423 - 6	6	12	45	16	SW16	KW16
			SRW4512 427 - 8	8			11	SW11	KW11
Tornos	Deco 13 / 20	Tornos	SRW4012 420 - 6	6	12	40	16	SW16	KW16
	Evo Deco 16 / Deco 13	W & F	SRW4012 419 - 6						
Traub	TNL26 / TNK36	Traub	SRW4116 421 - 6	6	16	41	16	SW16	KW16
Hanwha	XD20	Maduala	SRW4012 604 - 6	6	12	40	16	SW16	KW16
Maier	ML20D	PCM	SRW4012 417 - 5	5	12	40	16	SW16	KW16
Nexturn	SA20	PCM	SRW4512 642 - 6	6	12	45	16	SW16	KW16
	SA20	WTO	SRW4212 557 - 6	6	12	45	16	SW16	KW16



## Case Study

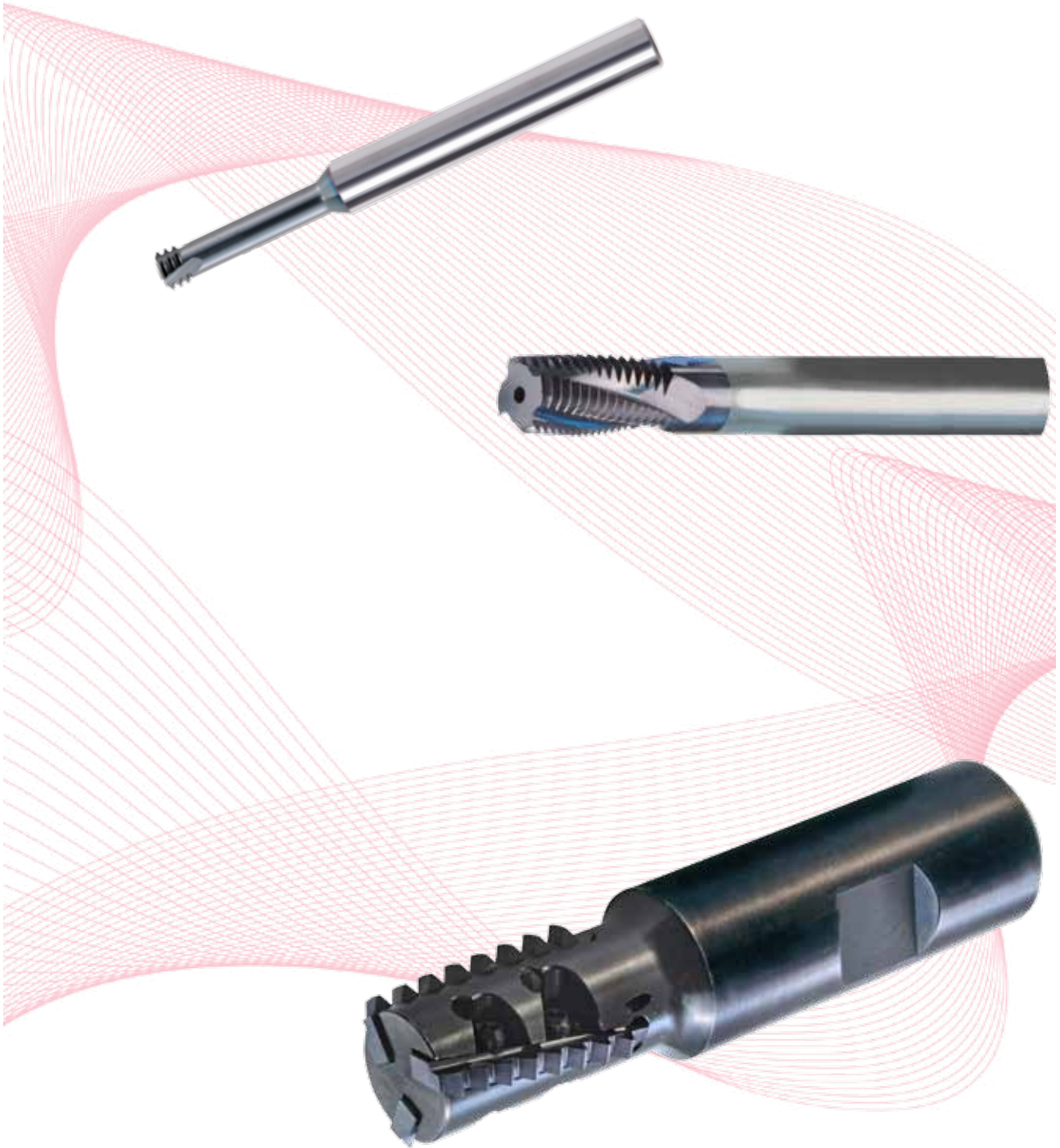
Machine:	Nexturn SA-20
Drive unit:	WTO
Application:	Bone screw
Material:	Ti-6Al-4V ELI
C.P.T. holder:	SRW4212 557-6
Vc [m/min]:	38
Tooth load [mm/tooth]:	0.04
No. of parts:	806



**SPECIALS**  
ARE OUR SPECIALTY



# Milling Tools

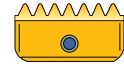


## CONTENTS:

Page:

Mill-Thread Inserts and Kits

139-150



Mill-Thread Toolholders

151-156



D-Thread

157-160



Spiral Mill-Thread

161-172



Deep Reach Mill-Thread

173-176



CMT

177-201



Mill-Thread Solid Carbide

203-224



Mini Mill-Thread

225-236



DMT - 3 in 1 - Drill, Thread, Chamfer

237-241



**HARD** 

243-248



Mill-Thread Technical Section

249-266



Solid Carbide Grooving Tools

267-270



Mini Chamfer

271-275





# Mill - Thread Inserts and Kits



## Mill-Thread tools for threading on CNC milling machines by using helical interpolation programs

### Advantages of Mill-Thread Tools

- Same toolholder and insert can produce both right-hand and left-hand threads.
- A single insert & toolholder can produce a given thread on many diameters (External & Internal).
- Prismatic shape of insert's tail ensures exact and reliable clamping in the toolholder.
- Most inserts are double sided, having two cutting edges.
- Thread is produced in one tool pass.
- MT tools can produce tapered threads.
- Improved productivity thanks to increased cutting speeds and multitooth type carbide inserts.
- Threading to one pitch of a shoulder in a blind hole.
- Longer tool life thanks to a special multilayer coating process.
- Lower tooling costs, considerably less expensive than using taps and dies.
- Since lower machine power is required, a smaller machine can produce larger threads in a single operation with less idle time and tool changes.

#### Contents:

Product Identification  
ISO  
UN  
WHIT  
BSPT  
NPT  
NPTF  
NPS  
NPSF

#### Page:

140  
141  
142  
143  
143  
144  
144  
145  
145

#### Contents:

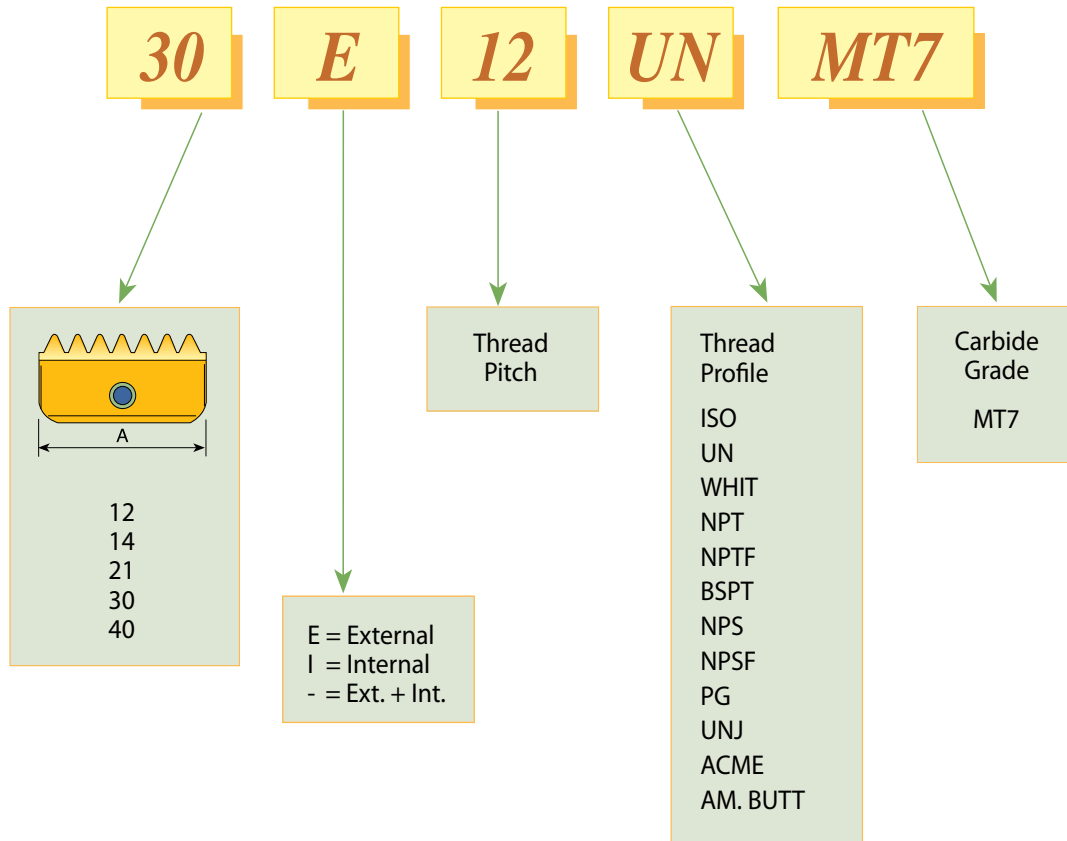
PG - DIN 40430  
UNJ  
American Buttress  
Acme  
Internal ISO Kits  
Special Tools

#### Page:

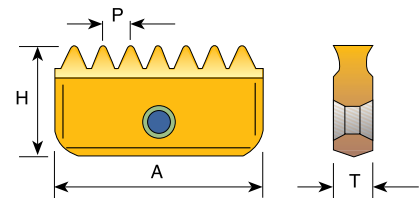
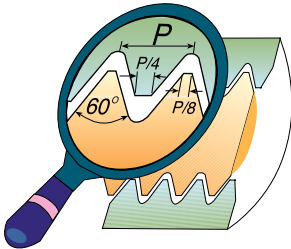
146  
146  
147  
147  
148  
149

## Product Identification

### Mill-Thread Inserts Ordering Codes



## ISO

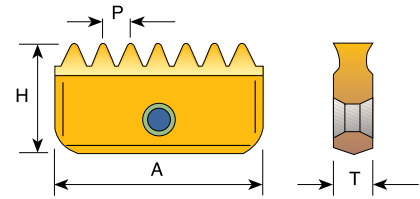
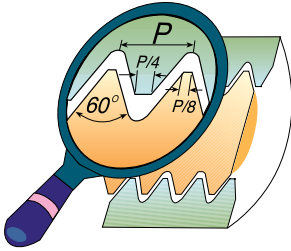


Pitch mm		Insert Size = A					
		12	14	21	30	40	
0.5	Ext.						
0.5	Int.	* 12   0.5 ISO	14   0.5 ISO				
0.75	Ext.		14 E 0.75 ISO				
0.75	Int.	* 12   0.75 ISO	14   0.75 ISO				
1.0	Ext.		14 E 1.0 ISO	21 E 1.0 ISO			
1.0	Int.	* 12   1.0 ISO	14   1.0 ISO	21   1.0 ISO			
1.25	Ext.		14 E 1.25 ISO				
1.25	Int.	* 12   1.25 ISO	14   1.25 ISO				
1.5	Ext.		14 E 1.5 ISO	21 E 1.5 ISO	30 E 1.5 ISO	40 E 1.5 ISO	
1.5	Int.	* 12   1.5 ISO	14   1.5 ISO	21   1.5 ISO	30   1.5 ISO	40   1.5 ISO	
1.75	Ext.		14 E 1.75 ISO				
1.75	Int.		14   1.75 ISO	21   1.75 ISO			
2.0	Ext.		14 E 2.0 ISO	21 E 2.0 ISO	30 E 2.0 ISO	40 E 2.0 ISO	
2.0	Int.		14   2.0 ISO	21   2.0 ISO	30   2.0 ISO	40   2.0 ISO	
2.5	Ext.		14 E 2.5 ISO	21 E 2.5 ISO			
2.5	Int.		14   2.5 ISO	21   2.5 ISO			
3.0	Ext.			21 E 3.0 ISO	30 E 3.0 ISO	40 E 3.0 ISO	
3.0	Int.			21   3.0 ISO	30   3.0 ISO	40   3.0 ISO	
3.5	Ext.				30 E 3.5 ISO		
3.5	Int.			21   3.5 ISO	30   3.5 ISO	40   3.5 ISO	
4.0	Ext.				30 E 4.0 ISO	40 E 4.0 ISO	
4.0	Int.				30   4.0 ISO	40   4.0 ISO	
4.5	Ext.						
4.5	Int.				30   4.5 ISO	40   4.5 ISO	
5.0	Ext.					40 E 5.0 ISO	
5.0	Int.					30   5.0 ISO	40   5.0 ISO
5.5	Ext.						
5.5	Int.					30   5.5 ISO	40   5.5 ISO
6.0	Ext.						40 E 6.0 ISO
6.0	Int.						40   6.0 ISO
H		6.3	7.5	12	16	20	
T		2.9	3.1	4.7	5.5	6.3	

Order example: 14 | 1.5 ISO MT7

\* One cutting edge

## UN UNC, UNF, UNEF, UNS



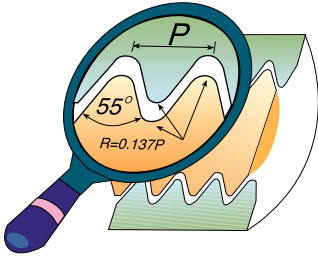
Pitch TPI		Insert Size = A				
		12	14	21	30	40
32	Ext.		14 E 32 UN			
32	Int.	* 12   32 UN	14   32 UN			
28	Ext.		14 E 28 UN			
28	Int.	* 12   28 UN	14   28 UN			
27	Ext.					
27	Int.		14   27 UN			
24	Ext.		14 E 24 UN	21 E 24 UN		
24	Int.	* 12   24 UN	14   24 UN	21   24 UN		
20	Ext.		14 E 20 UN	21 E 20 UN	30 E 20 UN	
20	Int.	* 12   20 UN	14   20 UN	21   20 UN	30   20 UN	
18	Ext.		14 E 18 UN	21 E 18 UN	30 E 18 UN	
18	Int.	* 12   18 UN	14   18 UN	21   18 UN	30   18 UN	
16	Ext.		14 E 16 UN	21 E 16 UN	30 E 16 UN	40 E 16 UN
16	Int.	* 12   16 UN	14   16 UN	21   16 UN	30   16 UN	40   16 UN
14	Ext.		14 E 14 UN	21 E 14 UN	30 E 14 UN	40 E 14 UN
14	Int.		14   14 UN	21   14 UN	30   14 UN	40   14 UN
12	Ext.		14 E 12 UN	21 E 12 UN	30 E 12 UN	40 E 12 UN
12	Int.		14   12 UN	21   12 UN	30   12 UN	40   12 UN
11	Ext.		14 E 11 UN	21 E 11 UN		
11	Int.		14   11 UN			
10	Ext.		14 E 10 UN	21 E 10 UN	30 E 10 UN	40 E 10 UN
10	Int.		14   10 UN	21   10 UN	30   10 UN	40   10 UN
9	Ext.					
9	Int.		** 14   9 UN			
8	Ext.				30 E 8 UN	40 E 8 UN
8	Int.			21   8 UN	30   8 UN	40   8 UN
7	Ext.					
7	Int.			21   7 UN		
6	Ext.				30 E 6 UN	40 E 6 UN
6	Int.				30   6 UN	40   6 UN
5	Ext.					
5	Int.				30   5 UN	
4.5	Ext.					
4.5	Int.					40   4.5UN
4	Ext.					
4	Int.					40   4 UN
H		6.3	7.5	12	16	20
T		2.9	3.1	4.7	5.5	6.3

Order example: 21 | 18 UN MT7

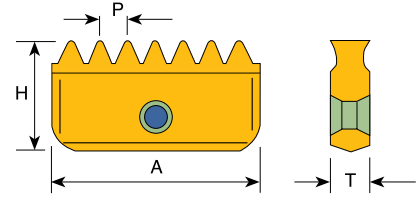
\* One cutting edge

\*\* Cannot be used with carbide shank Toolholders.

## WHIT BSW, BSF, BSP



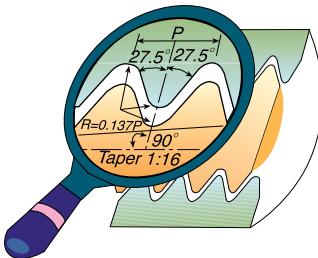
Same Insert for External and Internal thread.



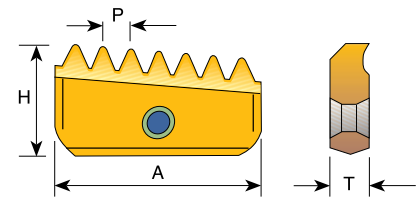
Pitch TPI	Insert Size = A				
	12	14	21	30	40
24		14-24 W			
20		14-20 W	21-20 W		
19	* 12 - 19 W	14-19 W	21-19 W		
16		14-16 W	21-16 W	30-16 W	
14		14-14 W	21-14 W	30-14 W	
11		14-11 W	21-11 W	30-11 W	40-11 W
8					40- 8 W
H	6.3	7.5	12	16	20
T	2.9	3.1	4.7	5.5	6.3

\* One cutting edge  
Order example: 21-11 W MT7

## BSPT



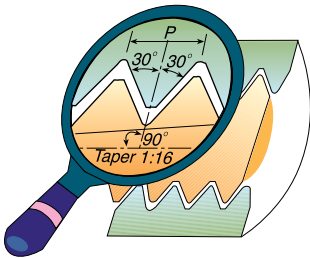
Conical pipe thread inserts are one-sided and may be used for both External and Internal threading.



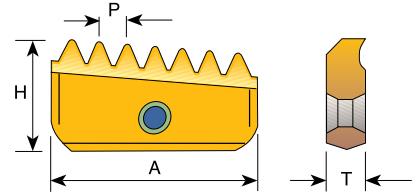
Pitch TPI	Insert Size = A				
	12	14	21	30	40
19	12-19 BSPT	14-19 BSPT			
14		14-14 BSPT	21-14 BSPT		
11			21-11 BSPT	30-11 BSPT	40-11 BSPT
H	6.3	7.5	12	16	20
T	2.9	3.1	4.7	5.5	6.3

Order example: 14-19 BSPT MT7  
For conical preparation end mills see page 221

## NPT



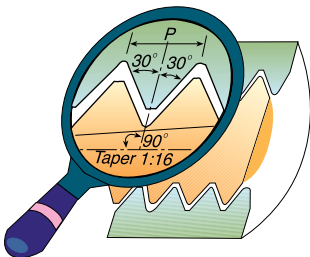
Conical pipe thread inserts are one-sided and may be used for both External and Internal threading.



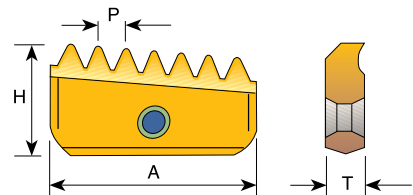
Pitch TPI	Insert Size = A				
	12	14	21	30	40
18	12-18 NPT	14-18 NPT			
14		14-14 NPT	21-14 NPT		
11.5			21-11.5 NPT	30-11.5 NPT	40-11.5 NPT
8				30- 8 NPT	40- 8 NPT
H	6.3	7.5	12	16	20
T	2.9	3.1	4.7	5.5	6.3

Order example: 30-11.5 NPT MT7

## NPTF



Conical pipe thread inserts are one-sided and may be used for both External and Internal threading.

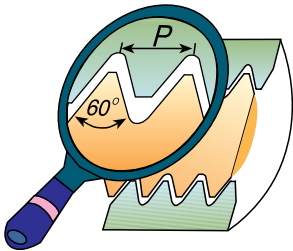


Pitch TPI	Insert Size = A				
	12	14	21	30	40
18	12-18 NPTF	14-18 NPTF			
14		14-14 NPTF	21-14 NPTF		
11.5			21-11.5 NPTF	30-11.5 NPTF	40-11.5 NPTF
8				30- 8 NPTF	40- 8 NPTF
H	6.3	7.5	12	16	20
T	2.9	3.1	4.7	5.5	6.3

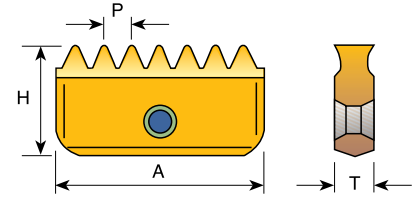
Order example: 21-14 NPTF MT7

For conical preparation end mills see page 221

## NPS



Same Insert for External and Internal thread

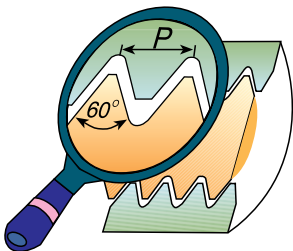


Pitch TPI	Insert Size = A				
	12	14	21	30	40
18	* 12-18 NPS	14-18 NPS			
14		14-14 NPS	21-14 NPS		
11.5			21-11.5 NPS	30-11.5 NPS	40-11.5 NPS
8				30- 8 NPS	40- 8 NPS
H	6.3	7.5	12	16	20
T	2.9	3.1	4.7	5.5	6.3

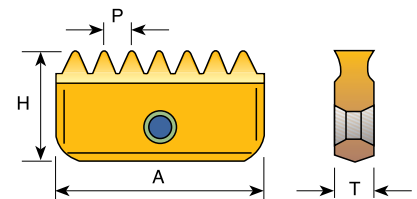
Order example: 30-11.5 NPS MT7

\* One cutting edge

## NPSF



Same Insert for External and Internal thread

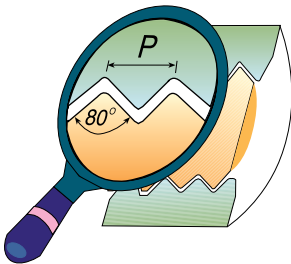


Pitch TPI	Insert Size = A				
	12	14	21	30	40
18	* 12-18 NPSF	14-18 NPSF			
14		14-14 NPSF	21-14 NPSF		
11.5			21-11.5 NPSF	30-11.5 NPSF	40-11.5 NPSF
8				30- 8 NPSF	40- 8 NPSF
H	6.3	7.5	12	16	20
T	2.9	3.1	4.7	5.5	6.3

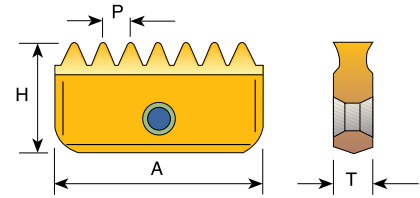
Order example: 21-14 NPSF MT7

\* One cutting edge

## PG - DIN 40430



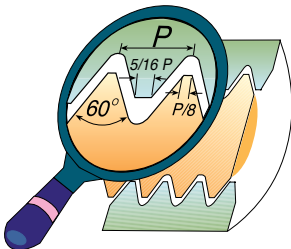
Same Insert for External and Internal thread



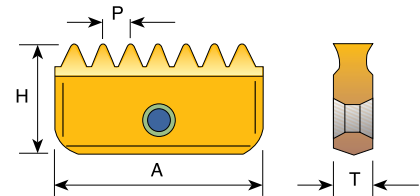
Pitch TPI	Insert Size = A		
	14	21	30
18	14-18 PG (PG 9, 11, 13.5, 16)	21-18 PG (PG 16)	
16		21-16 PG (PG 21, 29, 36, 42, 48)	30-16 PG (PG 36, 42, 48)
H	7.5	12	16
T	3.1	4.7	5.6

Order example: 21-18 PG MT7

## UNJ



Inserts for External thread



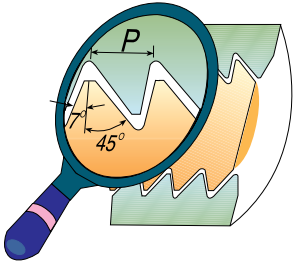
Pitch TPI		Insert Size = A	
		14	21
24	Ext.	14 E 24 UNJ	21 E 24 UNJ
20	Ext.	14 E 20 UNJ	21 E 20 UNJ
18	Ext.	14 E 18 UNJ	21 E 18 UNJ
16	Ext.	14 E 16 UNJ	21 E 16 UNJ
14	Ext.	14 E 14 UNJ	21 E 14 UNJ
12	Ext.	14 E 12 UNJ	21 E 12 UNJ
H		7.5	12
T		3.1	4.7

Order example: 21E 16 UNJ MT7

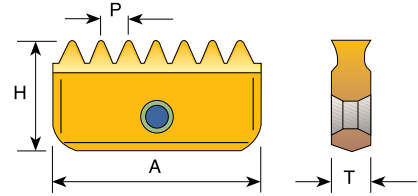
For internal UNJ threads it is common to use UN inserts as partial profile.



## American Buttress



ABUT thread inserts are one-sided and may be used for both External and Internal threading

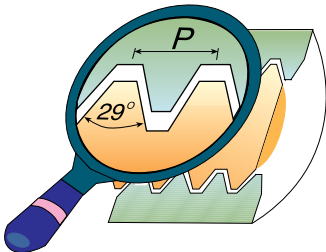


Pitch TPI	Insert Size = A		
	21	30	40
16	21 - 16 ABUT	30 - 16 ABUT	
12	21 - 12 ABUT	30 - 12 ABUT	
10	21 - 10 ABUT	30 - 10 ABUT	
8	21 - 8 ABUT	30 - 8 ABUT	
6		30 - 6 ABUT	
4		* 30 - 4 ABUT	40 - 4 ABUT
H	12	16	20
T	4.7	5.6	6.3

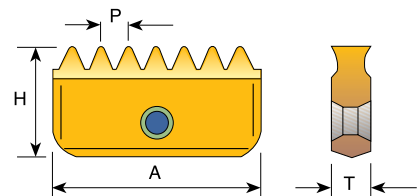
Order example: 30 - 6 ABUT MT7

\* Inserts to be used only on Multi-Insert toolholders see page 155

## ACME



Inserts for Internal threads



Pitch TPI		Insert Size = A		
		21	30	40
12	Int.	21   12 ACME	30   12 ACME	
10	Int.	21   10 ACME	30   10 ACME	
8	Int.	21   8 ACME	30   8 ACME	
6	Int.		30   6 ACME	
5	Int.		30   5 ACME	
4	Int.		* 30   4 ACME	40   4 ACME
3.5	Int.			40   3.5 ACME
3	Int.			** 40   3 ACME
H		12	16	20
T		4.7	5.6	6.3

Order example: 21 | 8 ACME MT7

\* Inserts to be used only on Multi-Insert toolholders see page 155

\*\* One cutting edge

## Internal ISO Kits



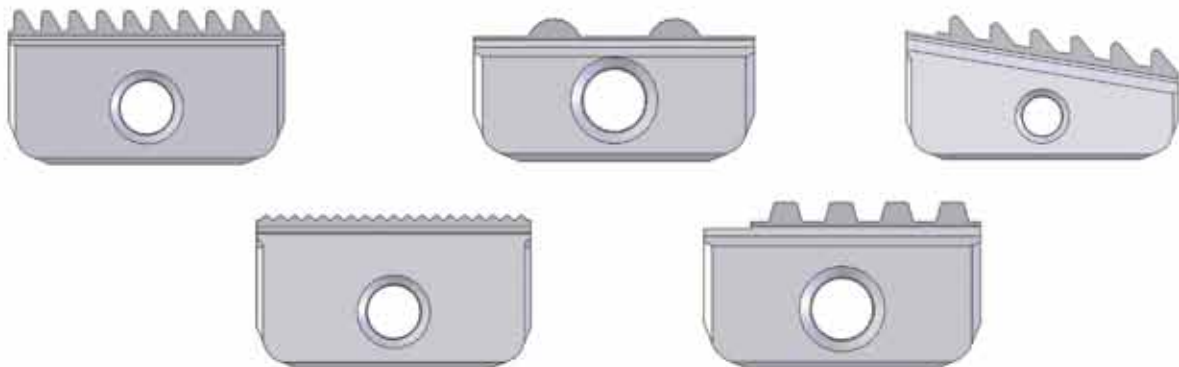
MTK 12   ISO	MTK 14   ISO
<u>INSERTS</u>	<u>INSERTS</u>
12   0.75 ISO	14   1.0 ISO 2 Pcs
12   1.0 ISO 2 Pcs	14   1.5 ISO 2 Pcs
12   1.25 ISO	14   2.0 ISO 2 Pcs
12   1.5 ISO 2 Pcs	
<u>TOOLHOLDER</u>	<u>TOOLHOLDER</u>
SR 0009 H12	SR 0017 H14
<u>KEY</u>	<u>KEY</u>
K12	K14
<u>SCREW</u>	<u>SCREW</u>
S12	S14

Order example : MTK 14 | ISO

## Special Tools



In addition to standard products, C.P.T. manufactures special tools and inserts according to customers' requests. Special tools are supplied in short delivery times.





# Mill-Thread Toolholders



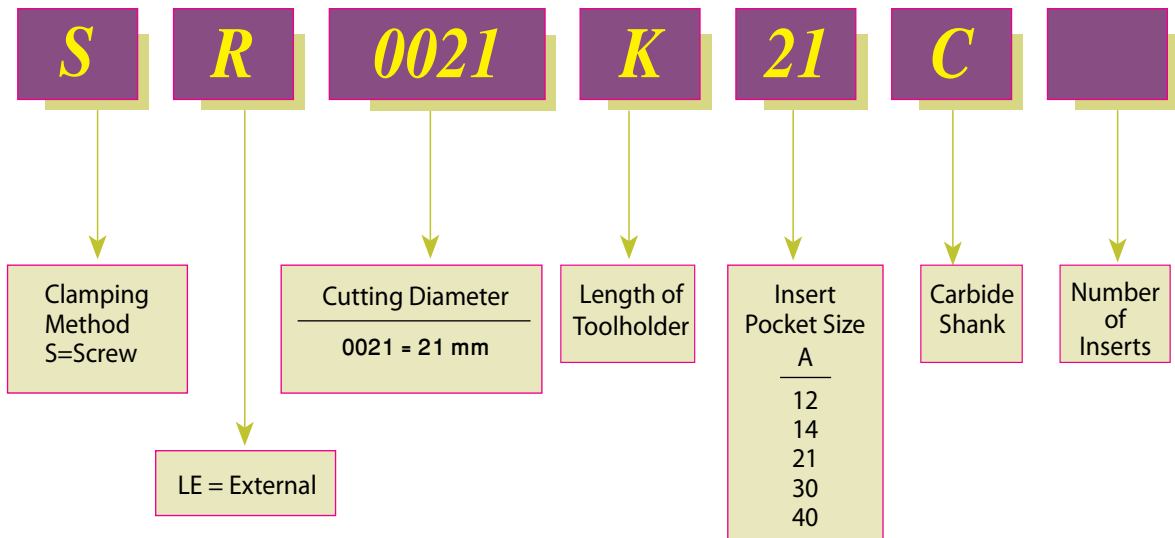
## Contents:

## Page:

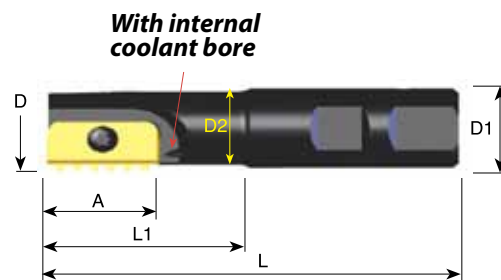
Product Identification	152
Single Insert Toolholders	153
Long Shank Toolholders	153
Twin Insert Toolholders	154
Multi Insert Toolholders	155
External Multi Insert Toolholders	155
Long Carbide Shank Toolholders	156
Carbide Shank Toolholders for Single Point Threading	156

## Product Identification

### Mill-Thread Toolholders Ordering Codes



## Single Insert Toolholders



Ordering Code	A	D	D1	D2	L	L1	Insert Screw	Torx Key
* SR0009H12	12	9.5	20	7.5	85	14	S12	K12
SR0010H12	12	9.9	20	7.6	85	16	S12	K12
SR0012F14	14	12.0	20	8.9	75	20	S14	K14
SR0014H14	14	14.5	20	11.2	85	25	S14	K14
SR0017H14	14	17.0	20	13.4	85	30	S14	K14
** SR0018H21	21	18.0	20	14.4	85	30	S21	K21
SR0021H21	21	21.0	20	16.5	94	40	S21	K21
SR0029J30	30	29.0	25	22.4	110	50	S30	K30
SR0048M40	40	48.0	40	35.0	153	78	S40	K40

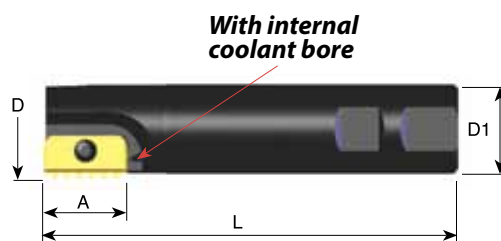
Order example: SR0029J30

\* Not for conical inserts: 12-18 NPT, 12-18 NPTF, 12-19 BSPT

\*\* Cannot be used with the following inserts:

21 I 3.5 ISO, 21 I 8 UN, 21 I 7 UN, 21-11 BSPT, 21-11.5 NPT, 21-11.5 NPTF

## Long Shank Toolholders

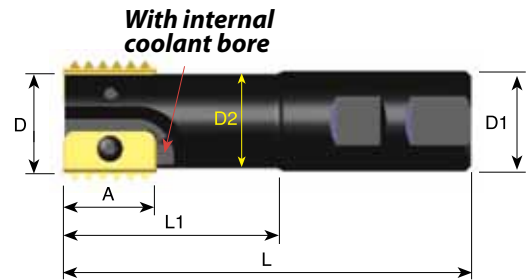


Ordering Code	A	D	D1	L	Insert Screw	Torx Key
SR0025K21	21	25	20	125	S21	K21
SR0031M30	30	31	25	150	S30	K30
SR0038M30	30	38	32	150	S30	K30
SR0048R40	40	48	40	210	S40	K40

Order example: SR0031M30

For holders with long overhang reduce the cutting speed and feed rate between 20% to 40% (depends on workpiece material, pitch and overhang)

## Twin Insert Toolholders

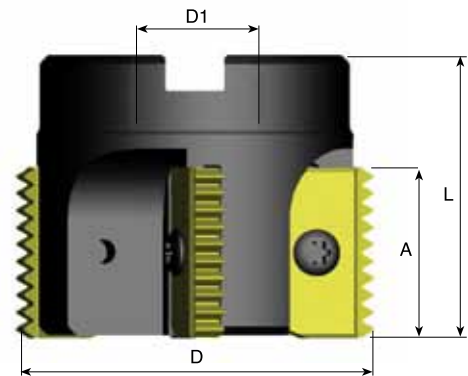


Ordering Code	A	D	D1	D2	L	L1	No. of Inserts	Insert Screw	Torx Key
SR0020H14-2	14	20	20	16	93	41	2	S14	K14
SR0030J21-2	21	30	25	24	108	52	2	S21	K21
SR0040L30-2	30	40	32	30	130	70	2	S30	K30
SR0050M40-2	40	50	40	38	153	78	2	S40	K40

Order example: SR0040L30-2



## Multi Insert Toolholders

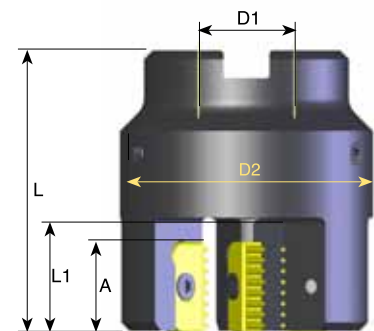
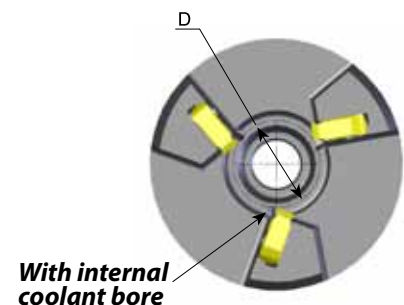
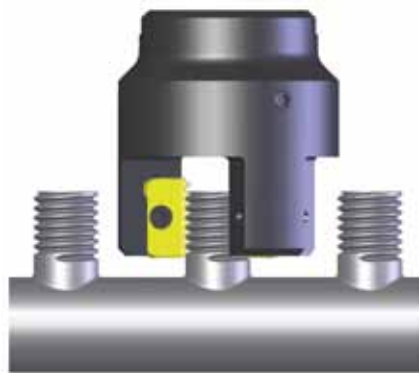


Ordering Code	A	D	D1	L	No. of Inserts	Insert Screw	Torx Key
SR0063C21-5	21	63	22	50	5	S21	K21
SR0063C30-4	30	63	22	50	4	S30	K30
SR0080D30-4	30	80	27	55	4	S30	K30
SR0100D30-4	30	100	32	60	4	S30	K30
SR0100D30-8	30	100	32	60	8	S30	K30
SR0080D40-4	40	80	27	65	4	S40	K40
SR0100E40-4	40	100	32	70	4	S40	K40
SR0100E40-6	40	100	32	70	6	S40	K40

Order example: SR0080D30-4

## External Multi Insert Toolholder

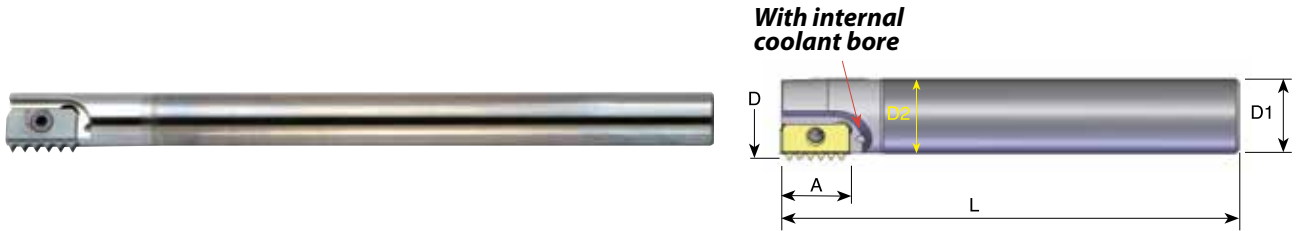
- Reduced machining time
- Optimal coolant supply



Ordering Code	A	D	D1	D2	L	L1	No. of Inserts	Insert Screw	Torx Key
SLE0020D21-3	21	20	22	58	65	25	3	S21	K21
SLE0030D21-3	21	30	22	68	65	25	3	S21	K21
SLE0045E21-4	21	45	27	83	70	25	4	S21	K21

Order example: SLE0030D21-3

## Long Carbide Shank Toolholders

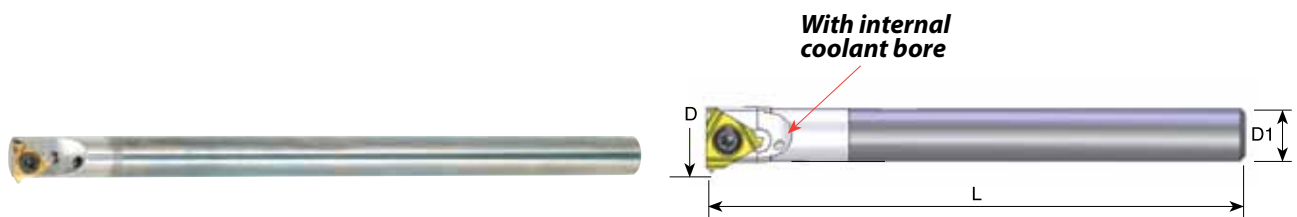



Ordering Code	A	D	D1	D2	L	Insert Screw	Torx Key
SR0010K12C	12	9.9	8	8	125	S12	K12
SR0013H14C	14	13.2	10	10	110	S14	K14
SR0013J14C	14	13.2	10	10	155	S14	K14
SR0015K14C	14	15.2	12	12	175	S14	K14
SR0021K21C	21	21.0	16	16	130	S21	K21
SR0021M21C	21	21.0	16	16	200	S21	K21
SR0027S30C	30	27.0	20	20	270	S30	K30

Order example: SR0015K14C

For holders with long overhang reduce the cutting speed and feed rate between 20% to 40% (depends on workpiece material, pitch and overhang)

## Carbide Shank Toolholders for Single Point Threading



Ordering Code		Pitch Range		D	D1	L	Insert Screw	Torx Key
		mm	TPI					
SR0005D06C	6	0.5-1.25	48-20	6.8	5.0	63	S06	K06
SR0006H08C	8	0.5-1.75	48-14	8.8	6.0	100	S08	K08
* SR0010M11C	11	0.5-2.00	48-11	13.2	10.0	150	S11	K11

For Inserts see the Thread Turning Tools section of this catalogue

For an internal application use an internal R.H. insert.

\* For an external application use an external L.H. insert.

# D-Thread



## Mill-Thread Inserts and Toolholders for machining deep threads

- Improved productivity due to multi-insert toolholders.
- Partial Profile, standard or U-type inserts for a wide range of threads.
- Inserts with three cutting edges, reduces tooling costs.
- Low cutting resistance due to the single point inserts.
- Holder allows for a long overhang and includes internal coolant.
- Same insert and toolholder for both external and internal thread.

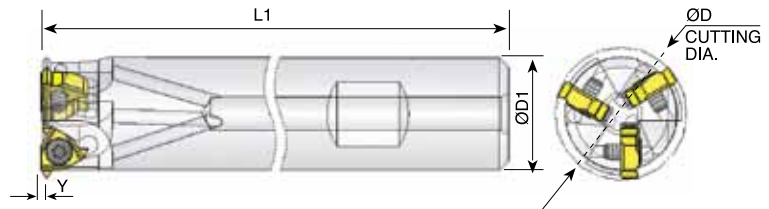
### Contents:

### Page:

Standard Toolholders and Inserts  
U-Type Toolholders and Inserts

158  
159-160

## D-Thread Mill-Thread Inserts & Toolholders for machining deep threads



Ordering Code	Insert Size		Y	D	D1	L1	No. of Inserts	Insert Screw	Torx Key
	L	I.C							
<b>SR0023Q11</b>	11	1/4	1	23.5	20	190	3	SE11	K11

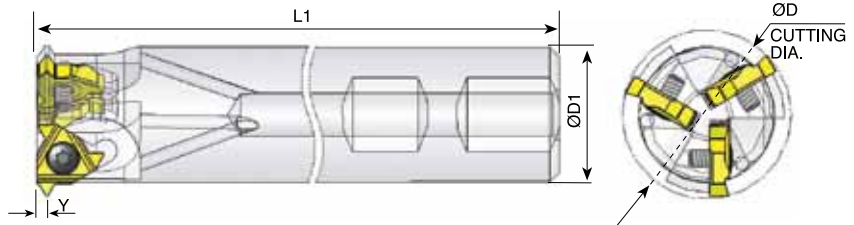
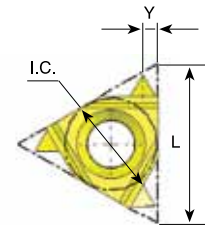
### Partial 60° Size 11

Ordering Code		Pitch	
		mm	TPI
<b>11 60D</b>	<b>INT.</b>	1.0 - 2.0	24 - 12
	<b>EX.</b>	0.75 - 1.5	32 - 14

Coated Grade: BMA

### Partial 55° Size 11

Ordering Code		Pitch TPI
<b>11 55D</b>	<b>INT./EX.</b>	24 - 14



Ordering Code	Insert Size		Y	D	D1	L1	No. of Inserts	Insert Screw	Torx Key
	L	I.C							
<b>SR0031R16</b>	16	3/8	1.8	31	25	225	3	SE16	K16

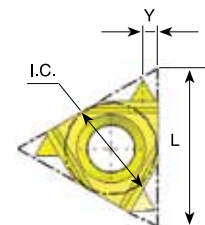
### Partial 60° Size 16

Ordering Code		Pitch	
		mm	TPI
<b>16 60D</b>	<b>INT.</b>	2.5 - 3.5	10 - 7
	<b>EX.</b>	2.0 - 3.0	12 - 8

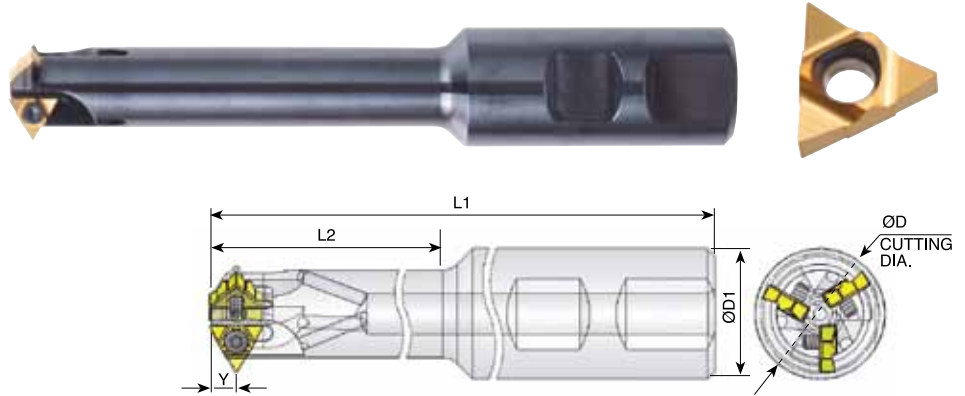
Coated Grade: BMA

### Partial 55° Size 16

Ordering Code		Pitch TPI
<b>16 55D</b>	<b>INT./EX.</b>	12 - 8



## D-Thread Mill-Thread Inserts & Toolholders for machining deep threads



Ordering Code	Insert Size		Y	D	D1	L1	L2	No. of Inserts	Insert Screw	Torx Key
	L	I.C.								
<b>SR0023M11U</b>	11U	1/4U	5	23	25	150	88	3	SE11	K11

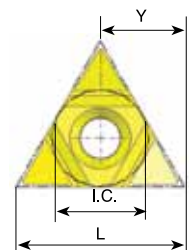
### Partial 60° Size 11U

Ordering Code		Pitch	
		mm	TPI
<b>11U 60D</b>	<b>INT.</b>	2.5 - 4.0	10 - 6
	<b>EX.</b>	2.0 - 3.0	12 - 8
<b>11U 60D-18-12</b>	<b>INT.</b>	1.5 - 2.0	18 - 12
	<b>EX.</b>	1.25 - 1.75	20 - 14

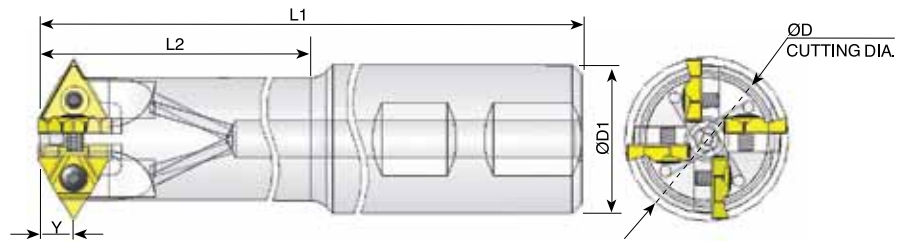
Coated Grade: BMA

### Partial 55° Size 11U

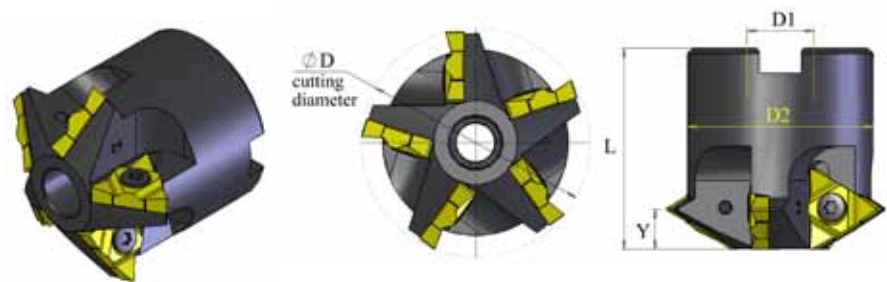
Ordering Code		Pitch TPI
<b>11U 55D</b>	<b>INT./EX.</b>	12 - 7



## D-Thread Mill-Thread Inserts & Toolholders for machining deep threads



Ordering Code	Insert Size		Y	D	D1	L1	L2	No. of Inserts	Insert Screw	Torx Key
	L	I.C								
<b>SR0035R16U</b>	16U	3/8U	7.6	35.5	32	220	155	4	SE16	K16



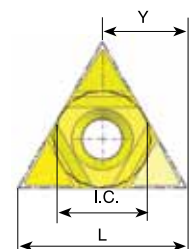
Ordering Code	Insert Size		Y	D	D1	D2	L	No. of Inserts	Insert Screw	Torx Key
	L	I.C								
<b>SR0043B16U-5</b>	16U	3/8U	7.6	43.4	16	35.3	38.1	5	SE16	K16

### Partial 60° Size 16U

Ordering Code		Pitch	
		mm	TPI
<b>16U 60D</b>	<b>INT.</b>	4.0 - 6.0	6 - 4
	<b>EX.</b>	3.0 - 5.0	8 - 5
<b>16U 60D-16-8</b>	<b>INT.</b>	1.5 - 3.0	16 - 8
	<b>EX.</b>	1.5 - 2.5	18 - 10

### Partial 55° Size 16U

Ordering Code		Pitch TPI
<b>16U 55D</b>	<b>INT./EX.</b>	6 - 4.5



Coated Grade: BMA

# Spiral Mill-Thread



## Advantages of Spiral Mill-Thread Tools

- The spiral designed tools enable a smooth cutting operation at a high feed rate and reduced machining time.
- The tools suit a wide range of applications, from machining small components in small machining centers to heavy-duty applications in high power milling machines.
- Spiral fluted toolholders hold 1 to 9 inserts in a comparatively small cutting diameter.
- The unique clamping method enables optimal indexability.
- Spiral tools reduce vibration and chatter.
- High grade finish is achieved in all applications: threading, end milling roughing and finishing.
- Inserts are available in MT7 Sub-Micron Grade with Titanium Aluminum Nitride multi-layer coating (ISO K10 - K20). This is a general purpose grade, which can be used with all materials.

### Contents:

### Page:

Product Identification	162
ISO	163
UN	164-165
Whitworth	165
BSPT	166
NPT	166
NPTF	167
NPS	167

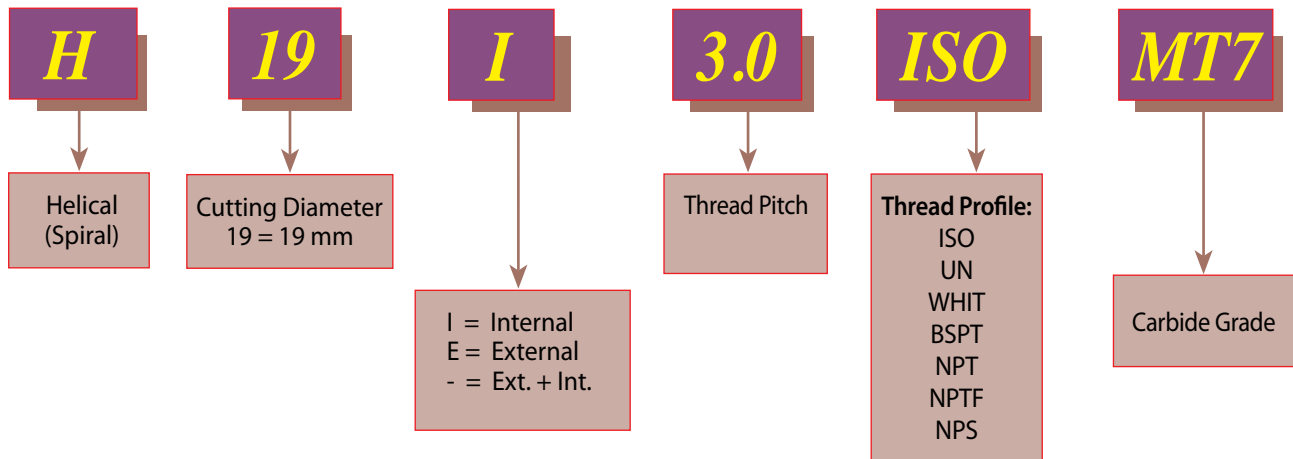
### Contents:

### Page:

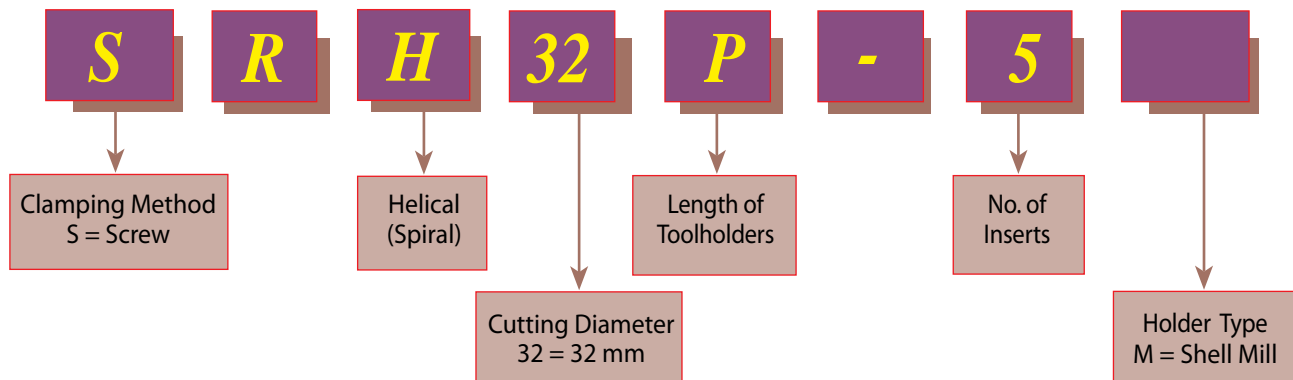
Spiral Finishing Inserts	168
Toolholders	169-171
Special Tools	171
Case Studies	172

## Product Identification - Ordering Codes

### Spiral Mill - Thread Inserts

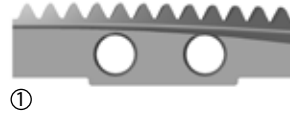
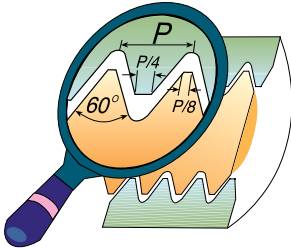


## Spiral Mill - Thread Toolholders



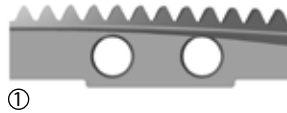
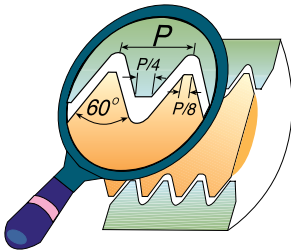


## ISO



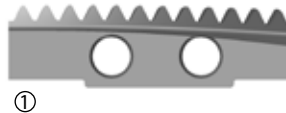
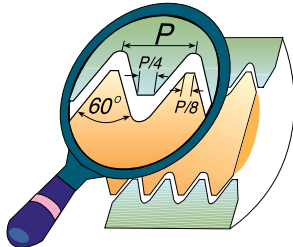
Insert Size	Fig.	Pitch mm	Ext./ Int.	M coarse	M fine	Ordering code	Toolholder
H13	1	1.0	Int.		≥ 15	<b>H13 I 1.0 ISO</b>	SRH13...
		1.5	Int.		≥ 16	<b>H13 I 1.5 ISO</b>	
		2.0	Int.	M16	≥ 17	<b>H13 I 2.0 ISO</b>	
H15	1	1.0	Int.		≥ 17	<b>H15 I 1.0 ISO</b>	SRH15...
		1.5	Int.		≥ 18	<b>H15 I 1.5 ISO</b>	
		2.0	Int.		≥ 19	<b>H15 I 2.0 ISO</b>	
H17	1	2.5	Int.	M18	≥ 20	<b>H15 I 2.5 ISO</b>	SRH15...
		1.0	Int.		≥ 19	<b>H17 I 1.0 ISO</b>	
		1.5	Int.		≥ 20	<b>H17 I 1.5 ISO</b>	
H19	1	2.0	Int.		≥ 21	<b>H17 I 2.0 ISO</b>	SRH17...
		2.5	Int.	M20, M22	≥ 22	<b>H17 I 2.5 ISO</b>	
		3.0	Int.	M24	≥ 23	<b>H19 I 2.0 ISO</b>	
H23	2	3.0	Int.		≥ 25	<b>H19 I 3.0 ISO</b>	SRH19...
		1.0	Ext.			<b>H23 E 1.0 ISO</b>	
		1.0	Int.		≥ 25	<b>H23 I 1.0 ISO</b>	
		1.5	Ext.			<b>H23 E 1.5 ISO</b>	
		1.5	Int.		≥ 26	<b>H23 I 1.5 ISO</b>	
		2.0	Ext.			<b>H23 E 2.0 ISO</b>	
		2.0	Int.		≥ 27	<b>H23 I 2.0 ISO</b>	
		3.0	Ext.			<b>H23 E 3.0 ISO</b>	
3.0	Int.	M27	≥ 29	<b>H23 I 3.0 ISO</b>			
H32	2	3.5	Int.	M30, M33	≥ 30	<b>H23 I 3.5 ISO</b>	SRH23...
		4.0	Int.	M36	≥ 31	<b>H23 I 4.0 ISO</b>	
		1.0	Int.		≥ 34	<b>H32 I 1.0 ISO</b>	
		1.5	Ext.			<b>H32 E 1.5 ISO</b>	
		1.5	Int.		≥ 35	<b>H32 I 1.5 ISO</b>	
		2.0	Ext.			<b>H32 E 2.0 ISO</b>	
		2.0	Int.		≥ 36	<b>H32 I 2.0 ISO</b>	
		3.0	Ext.			<b>H32 E 3.0 ISO</b>	
3.0	Int.		≥ 38	<b>H32 I 3.0 ISO</b>			
H45	2	3.5	Int.		≥ 39	<b>H32 I 3.5 ISO</b>	SRH32...
		4.0	Ext.			<b>H32 E 4.0 ISO</b>	
		4.0	Int.	M39	≥ 40	<b>H32 I 4.0 ISO</b>	
		4.5	Int.	M42, M45	≥ 41	<b>H32 I 4.5 ISO</b>	
		5.0	Int.	M48	≥ 42	<b>H32 I 5.0 ISO</b>	
		1.5	Ext.			<b>H45 E 1.5 ISO</b>	
		1.5	Int.		≥ 48	<b>H45 I 1.5 ISO</b>	
		2.0	Ext.			<b>H45 E 2.0 ISO</b>	
H63	2	2.0	Int.		≥ 49	<b>H45 I 2.0 ISO</b>	SRH45...
		3.0	Int.		≥ 51	<b>H45 I 3.0 ISO</b>	
		3.5	Int.		≥ 52	<b>H45 I 3.5 ISO</b>	
		4.0	Int.		≥ 53	<b>H45 I 4.0 ISO</b>	
		4.5	Int.		≥ 54	<b>H45 I 4.5 ISO</b>	
		5.0	Int.	M52	≥ 55	<b>H45 I 5.0 ISO</b>	
		5.5	Int.	M56, M60	≥ 56	<b>H45 I 5.5 ISO</b>	
		6.0	Int.	M64, M68	≥ 57	<b>H45 I 6.0 ISO</b>	
H63	2	1.5	Int.		≥ 66	<b>H63 I 1.5 ISO</b>	SRH63...
		2.0	Int.		≥ 67	<b>H63 I 2.0 ISO</b>	
		3.0	Int.		≥ 69	<b>H63 I 3.0 ISO</b>	
		4.0	Int.		≥ 71	<b>H63 I 4.0 ISO</b>	
		6.0	Int.		≥ 75	<b>H63 I 6.0 ISO</b>	

## UN



Insert Size	Fig.	Pitch TPI	Ext./ Int.	UN	UNC	UNF	UNS	Ordering code	Toolholder	
H13	1	16	Int.	5/8, 11/16				<b>H13 I 16 UN</b>	SRH13...	
		14	Int.				5/8	<b>H13 I 14 UN</b>		
		12	Int.	11/16				<b>H13 I 12 UN</b>		
H15	1	16	Int.			3/4		<b>H15 I 16 UN</b>	SRH15...	
		14	Int.				3/4	<b>H15 I 14 UN</b>		
		12	Int.	3/4, 13/16				<b>H15 I 12 UN</b>		
H17	1	16	Int.	13/16 - 1				<b>H17 I 16 UN</b>	SRH17...	
		14	Int.			7/8, 1		<b>H17 I 14 UN</b>		
		12	Int.	7/8				<b>H17 I 12 UN</b>		
H19	1	9	Int.		7/8			<b>H17 I 9 UN</b>	SRH19...	
		12	Int.	15/16		1		<b>H19 I 12 UN</b>		
		8	Int.	1 1/16, 1 1/8	1			<b>H19 I 8 UN</b>		
H23	2	32	Int.	1			1 - 1 1/4	<b>H23 I 32 UN</b>	SRH23...	
		24	Int.					<b>H23 I 24 UN</b>		
		20	Ext.					<b>H23 E 20 UN</b>		
		20	Int.	1 1/16 - 1 5/16						<b>H23 I 20 UN</b>
		18	Ext.					<b>H23 E 18 UN</b>		
		18	Int.				1	<b>H23 I 18 UN</b>		
		16	Ext.					<b>H23 E 16 UN</b>		
		16	Int.	1 1/16 - 1 5/16						<b>H23 I 16 UN</b>
		14	Ext.					<b>H23 E 14 UN</b>		
		14	Int.				≥1 1/8	<b>H23 I 14 UN</b>		
		12	Ext.					<b>H23 E 12 UN</b>		
		12	Int.	1 1/16 - 1 3/16			1 1/8			<b>H23 I 12 UN</b>
		10	Ext.					<b>H23 E 10 UN</b>		
10	Int.				≥1 1/8	<b>H23 I 10 UN</b>				
8	Ext.					<b>H23 E 8 UN</b>				
8	Int.	1 3/16 - 1 5/16					<b>H23 I 8 UN</b>			
7	Ext.					<b>H23 E 7 UN</b>				
7	Int.			1 1/4		<b>H23 I 7 UN</b>				
H28	2	12	Int.	1 5/16		1 1/4, 1 3/8		<b>H28 I 12 UN</b>	SRH28...	
		8	Int.	1 3/8 - 1 7/16				<b>H28 I 8 UN</b>		
		6	Int.	1 3/8 - 1 9/16	1 1/2			<b>H28 I 6 UN</b>		
H32	2	24	Ext.				≥1 3/8	<b>H32 E 24 UN</b>	SRH32...	
		20	Ext.					<b>H32 E 20 UN</b>		
		20	Int.	≥1 3/8				<b>H32 I 20 UN</b>		
		18	Ext.					<b>H32 E 18 UN</b>		
		18	Int.				≥1 3/4	<b>H32 I 18 UN</b>		
		16	Ext.					<b>H32 E 16 UN</b>		
		16	Int.	1 3/8 - 1 7/8				<b>H32 I 16 UN</b>		
		12	Ext.					<b>H32 E 12 UN</b>		
		12	Int.	1 7/16 - 1 7/8			1 1/2	<b>H32 I 12 UN</b>		
		8	Ext.					<b>H32 E 8 UN</b>		
8	Int.	1 1/2 - 2				<b>H32 I 8 UN</b>				
6	Ext.					<b>H32 E 6 UN</b>				
6	Int.	1 5/8 - 1 7/8				<b>H32 I 6 UN</b>				
5	Int.			1 3/4		<b>H32 I 5 UN</b>				
H40	2	6	Int.	1 15/16, 2				<b>H40 I 6 UN</b>	SRH40...	
		4.5	Int.		2			<b>H40 I 4.5 UN</b>		

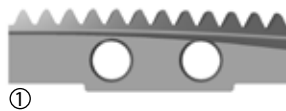
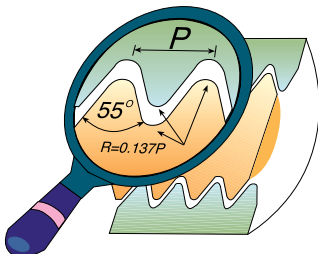
## UN



Insert Size	Fig.	Pitch TPI	Ext./ Int.	UN	UNC	UNF	UNS	Ordering code	Toolholder
H45	2	16	Int.	1 15/16 - 2 1/2			2 1/16 - 2	<b>H45 I 16 UN</b>	SRH45...
		12	Int.	1 15/16 - 2 5/8				<b>H45 I 12 UN</b>	
		8	Int.	2 1/8 - 2 5/8				<b>H45 I 8 UN</b>	
		6	Int.	2 1/8 - 2 3/4				<b>H45 I 6 UN</b>	
		4.5	Int.			2 1/4		<b>H45 I 4.5 UN</b>	
		4	Int.			2 1/2 - 2 3/4		<b>H45 I 4 UN</b>	
H63	2	16	Int.	≥ 2 5/8				<b>H63 I 16 UN</b>	SRH63...
		12	Int.	≥ 2 3/4				<b>H63 I 12 UN</b>	
		8	Int.	≥ 2 3/4				<b>H63 I 8 UN</b>	
		6	Int.	≥ 2 7/8				<b>H63 I 6 UN</b>	
		4	Int.			≥ 3		<b>H63 I 4 UN</b>	

## Whitworth

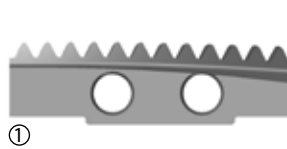
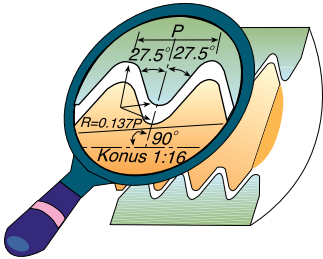
Same insert for internal and external thread



Insert Size	Fig.	Pitch TPI	Ordering code	Thread Size	Toolholder
H13	1	19	<b>H13- 19 W</b>	G 3/8	SRH13...
H15	1	14	<b>H15- 14 W</b>	G 1/2	SRH15...
H17	1	14	<b>H17- 14 W</b>	G 1/2 - 5/8	SRH17...
		11	<b>H17- 11 W</b>	G ≥ 1"	
H19	1	14	<b>H19- 14 W</b>	G 3/4 - 7/8	SRH19...
		11	<b>H19- 11 W</b>	G ≥ 1"	
H23	2	14	<b>H23-14 W</b>	Int. G 7/8" Ext. ≥ G 1/2"	SRH23...
		11	<b>H23-11 W</b>	≥ G 1"	
H32	2	14	<b>H32-14 W</b>	Ext. ≥ G 1/2"	SRH32...
		11	<b>H32-11 W</b>	Int. ≥ G 1 1/8" Ext. ≥ G 1"	
H45	2	11	<b>H45-11 W</b>	Int. ≥ G 1 5/8" Ext. ≥ G 1"	SRH45...
H63	2	11	<b>H63-11 W</b>	Int. ≥ G 2 3/8" Ext. ≥ G 1"	SRH63...

## BSPT

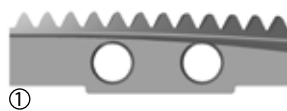
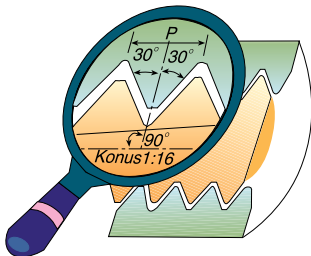
Same insert for internal and external thread



Insert Size	Fig.	Pitch TPI	Ordering code	Thread Size	Toolholder
H13	1	19	<b>H13-19 BSPT</b>	3/8	SRH13...
H15	1	14	<b>H15-14 BSPT</b>	1/2 - 3/4	SRH15...
H17	1	14	<b>H17-14 BSPT</b>	1/2 - 3/4	SRH17...
H23	2	11	<b>H23-11 BSPT</b>	≥ 1"	SRH23...
H32	2	11	<b>H32-11 BSPT</b>	Int. ≥ 1 1/8" Ext. ≥ 1"	SRH32...
H45	2	11	<b>H45-11 BSPT</b>	Int. ≥ 1 3/4" Ext. ≥ 1"	SRH45...
H63	2	11	<b>H63-11 BSPT</b>	Int. ≥ 2 1/2" Ext. ≥ 1"	SRH63...

## NPT

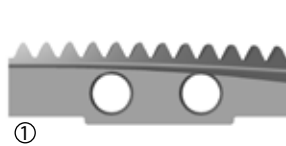
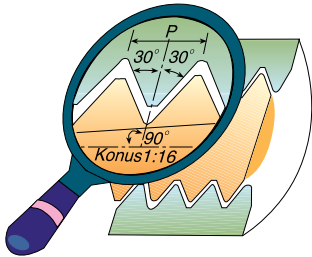
Same insert for internal and external thread



Insert Size	Fig.	Pitch TPI	Ordering code	Thread Size	Toolholder
H13	1	18	<b>H13-18 NPT</b>	3/8	SRH13...
H15	1	14	<b>H15-14 NPT</b>	1/2 - 3/4	SRH15...
H17	1	14	<b>H17-14 NPT</b>	1/2 - 3/4	SRH17...
H23	2	11.5	<b>H23-11.5 NPT</b>	1" - 2"	SRH23...
H32	2	11.5	<b>H32-11.5 NPT</b>	Int. 1 1/4" - 2" Ext. 1" - 2"	SRH32...
H45	2	11.5	<b>H45-11.5 NPT</b>	Int. ≥ 1 5/8" Ext. ≥ 1"	SRH45...
		8	<b>H45- 8 NPT</b>	≥ 2 1/2"	
H63	2	11.5	<b>H63-11.5 NPT</b>	Ext. 1-2"	SRH63...
		8	<b>H63- 8 NPT</b>	≥ 3"	

## NPTF

Same insert for internal and external thread



Insert Size	Fig.	Pitch TPI	Ordering code	Thread Size	Toolholder
H13	1	18	<b>H13-18 NPTF</b>	3/8	SRH13...
H15	1	14	<b>H15-14 NPTF</b>	1/2 - 3/4	SRH15...
H17	1	14	<b>H17-14 NPTF</b>	1/2 - 3/4	SRH17...
H23	2	11.5	<b>H23-11.5 NPTF</b>	1"-2"	SRH23...
H32	2	11.5	<b>H32-11.5 NPTF</b>	Int. 1 1/4"-2" Ext. 1" -2"	SRH32...

## NPS

Same insert for internal and external thread



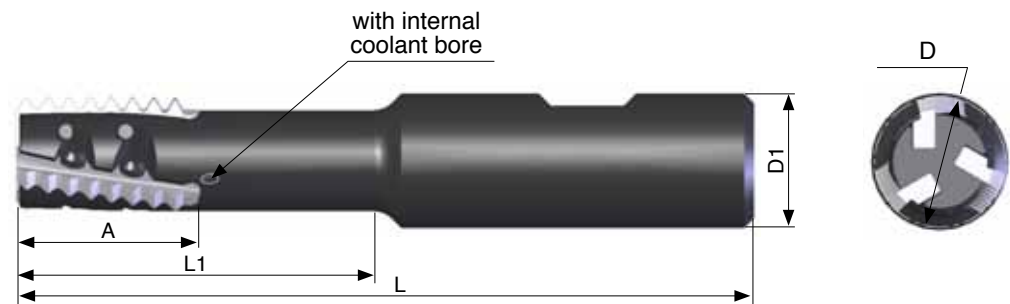
Insert Size	Pitch TPI	Ordering code	Thread Size	Toolholder
H13	18	<b>H13- 18 NPS</b>	3/8	SRH13...
H15	14	<b>H15- 14 NPS</b>	1/2 - 3/4	SRH15...
H17	14	<b>H17- 14 NPS</b>	1/2 - 3/4	SRH17...

## Spiral Finishing Inserts



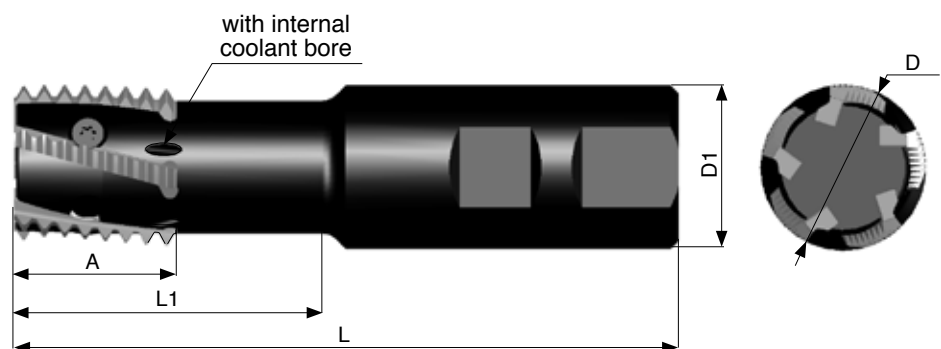
Insert Size	R	Ordering code	Toolholder
H23	0.2	H23 F R 0.2	SRH23...
	0.5	H23 F R 0.5	
	1.0	H23 F R 1.0	
H32	0.2	H32 F R 0.2	SRH32...
	0.5	H32 F R 0.5	
	1.0	H32 F R 1.0	
H45	0.2	H45 F R 0.2	SRH45...
	0.5	H45 F R 0.5	
	1.0	H45 F R 1.0	
	1.5	H45 F R 1.5	
	2.0	H45 F R 2.0	
H63	0.2	H63 F R 0.2	SRH63...
	0.5	H63 F R 0.5	
	1.0	H63 F R 1.0	
	1.5	H63 F R 1.5	
	2.0	H63 F R 2.0	

## Toolholders

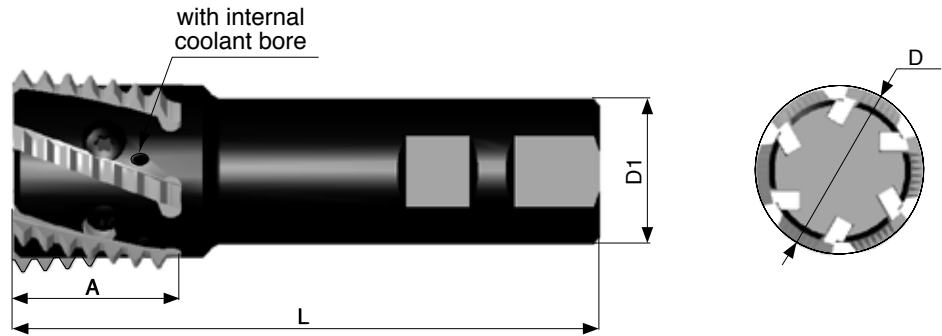


Ordering Code	Insert Type	Insert size A	D	D1	L	L1	No. of Inserts	Screw	Key
<b>SRH13-1</b>	H13	27	13	20	90	35	1	S13	K11
<b>SRH15-1</b>	H15	27	15	20	95	40	1	S15	K11
* <b>SRH17-2</b>	H17	27	17	20	85	30	2	S17	K11
* <b>SRH17J-2</b>	H17	27	17	20	100	45	2	S17	K11
<b>SRH19-3</b>	H19	27	19	20	85	30	3	S19	K11
<b>SRH19J-3</b>	H19	27	19	20	110	55	3	S19	K11

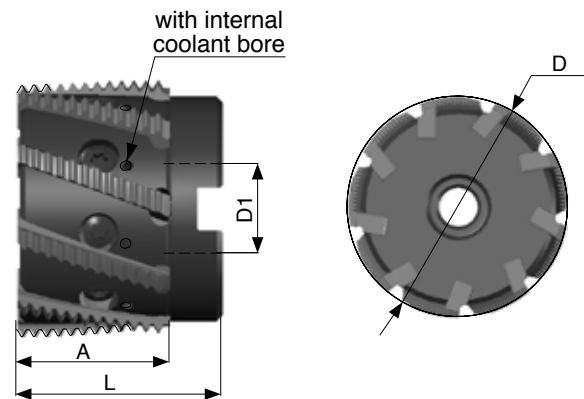
\* When using NPT, NPTF, BSPT inserts the cutting diameter D = 18 mm



Ordering Code	Insert Type	Insert size A	D	D1	L	L1	No. of Inserts	Screw	Key
<b>SRH23-2</b>	H23	27	23	25	110	50	2	S23	K21
<b>SRH23M-2</b>	H23	27	23	25	150	75	2	S23	K21
<b>SRH28-3</b>	H28	32	28	32	150	75	3	S32S	K22
<b>SRH32-5</b>	H32	32	32	32	130	60	5	S32	K22
<b>SRH32P-5</b>	H32	32	32	32	180	90	5	S32	K22



Ordering Code	Insert Type	Insert size A	D	D1	L	No. of Inserts	Screw	Key
<b>SRH40-4</b>	H40	37	40	32	180	4	S45S	K40
<b>SRH45-6</b>	H45	37	45	32	130	6	S45	K40



Ordering Code	Insert Type	Insert size A	D	D1	L	No. of Inserts	Screw	Key
<b>SRH32-5M</b>	H32	32	32	16	52	5	S32S	K22
<b>SRH45-6M</b>	H45	37	45	22	60	6	S45S	K40
<b>SRH63-9</b>	H63	38	63	22	50	9	S63	K40



## Special Tools

In addition to standard products, C.P.T. manufactures special tools and inserts according to customers' requests. The toolholders are multi-purpose, making them suitable for both roughing and finishing inserts. Special tools are supplied in short delivery times.



## Case Studies

### Case Study no. 1

Thread	M56x1.5
Internal/External	Internal
Thread Length	33.0
Raw Material	Ductile Iron
Cutting Speed – Vc	130 m/min
Tooth Load – Fz	0.15 mm/tooth
Toolholder	SRH45 – 6
Insert	H45 I 1.5 ISO MT7
Result	600 pcs with 0.02 offset (Competitor – 40 pcs with 0.15 offset)



### Case Study no. 2

Application	Grooves Milling
Internal/External	External
Raw Material	Cast Steel
Cutting Speed – Vc	195 m/min
Tooth Load – Fz	0.10 mm/tooth
Toolholder	SRH63 – 9
Insert	Taylor Made H63
Result	1350 pcs (Competitor – 540 pcs)



# Deep Reach Mill-Thread



## Contents:

Toolholders  
Extensions

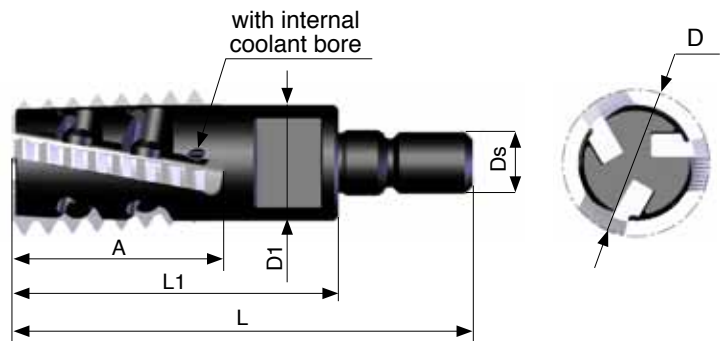
## Page:

174-176  
176

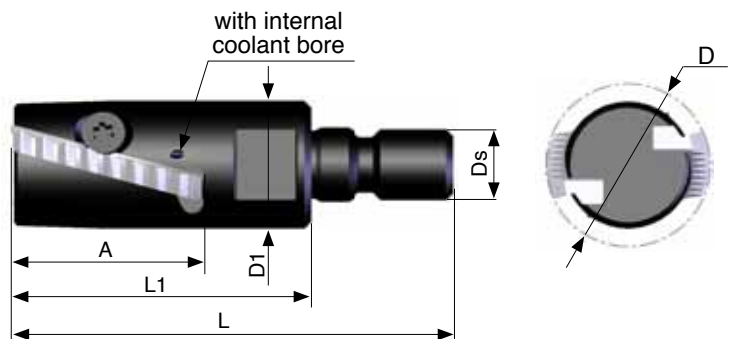
## C.P.T. presents a modular line of Mill-Thread toolholders

- C.P.T. modular holders are ideal for deep reach applications.
- Unique clamping method enables optimal strength and indexability.
- Cost saving - Same shank can hold different heads.
- Toolholders with internal coolant bore.
- Screw connection allows long overhang.
- C.P.T. standard thread milling inserts fit these toolholders.
- Different steel extensions are available.
- Toolholders are compatible with common toolholding systems.

### Toolholders

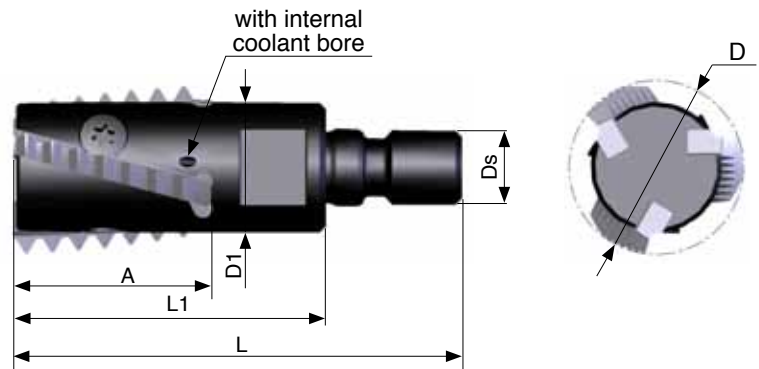


Ordering Code	Insert size A	D	D1	Ds	L1	L	No. of Inserts	Screw	Key
<b>SRH19-3 S</b>	27	19	15	M8	42.5	60	3	S19	K11

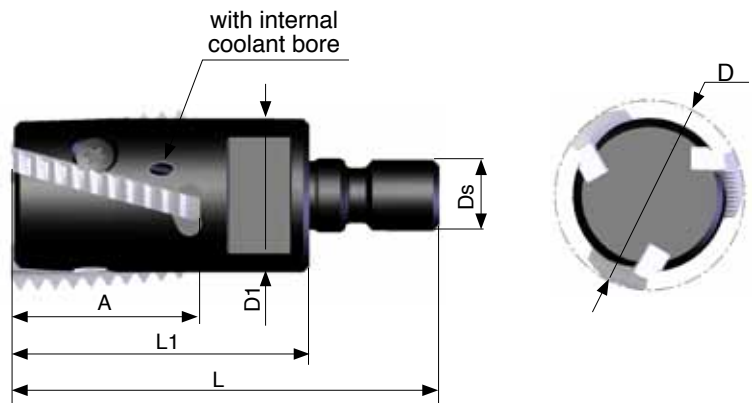


Ordering Code	Insert size A	D	D1	Ds	L1	L	No. of Inserts	Screw	Key
<b>SRH23-2 S</b>	27	23	18	M10	42.5	62.5	2	S23	K16

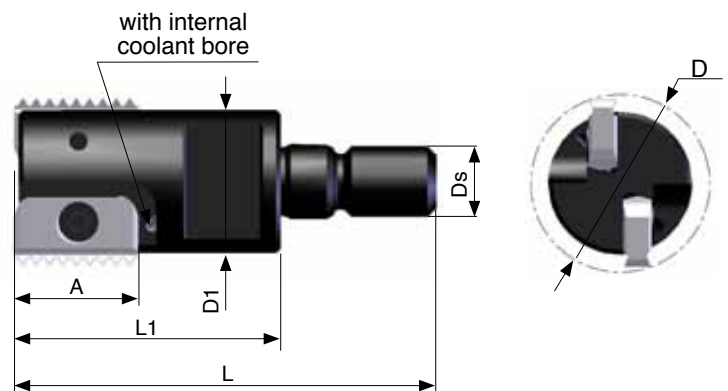
# Deep Reach Mill-Thread



Ordering Code	Insert size A	D	D1	Ds	L1	L	No. of Inserts	Screw	Key
<b>SRH28-3 S</b>	32	28	21	M12	50	72	3	S28	K16

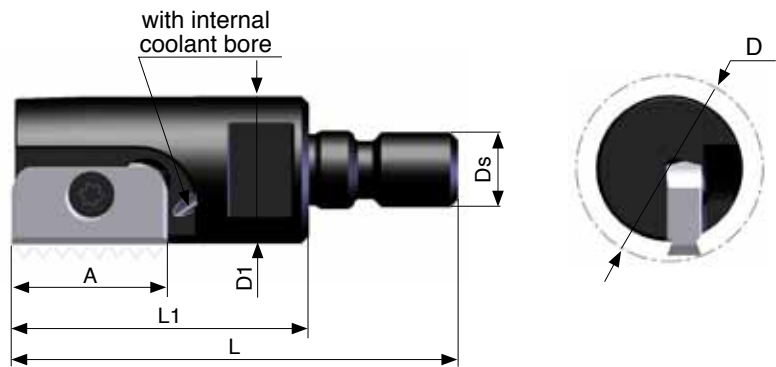


Ordering Code	Insert size A	D	D1	Ds	L1	L	No. of Inserts	Screw	Key
<b>SRH32-3 S</b>	32	32	26	M12	50	72	3	S32S	K16

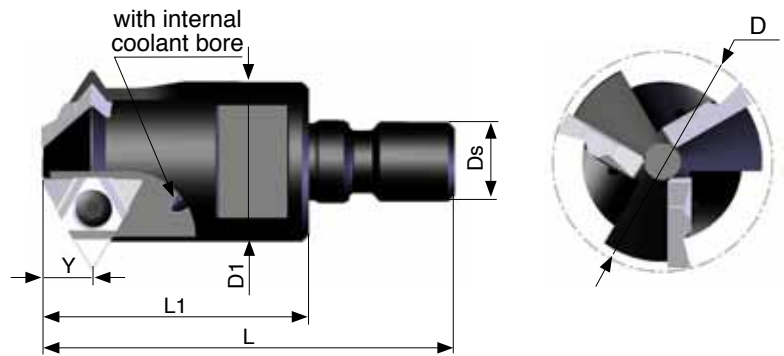


Ordering Code	Insert size A	D	D1	Ds	L1	L	No. of Inserts	Screw	Key
<b>SR0020C14-2 S</b>	14	20	16	M8	30.5	48	2	S14	K14

## Toolholders

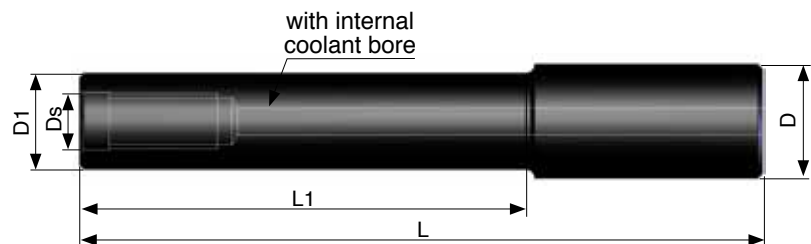


Ordering Code	Insert size A	D	D1	Ds	L1	L	No. of Inserts	Screw	Key
<b>SR0025D21-1 S</b>	21	25	19.7	M10	40	60	1	S21	K21



Ordering Code	Insert size		Y	D	D1	Ds	L1	L	No. of Inserts	Screw	Key
	L	I.C.									
<b>SR0033D16U-3 S</b>	16U	3/8U	7.6	33	24	M12	40	60	3	S16	K16

## Extensions



Ordering Code	D	D1	Ds	L	L1
<b>E16 M08 L80</b>	16	15	M08	80	30
<b>E20 M10 L80</b>	20	18	M10	80	30
<b>E20 M10 L130</b>	20	18	M10	130	80
<b>E25 M12 L100</b>	25	21	M12	100	50
<b>E25 M12 L150</b>	25	21	M12	150	100

# CMT Vertical Mill-Thread



**Vertical milling indexable inserts and toolholders to perform a wide variety of threads, grooves, chamfers and more.**

## Advantages of CMT - Vertical Mill-Thread

- Ground profile inserts for high precision and excellent performance.
- Working at high machining parameters, with high surface quality.
- Solid and accurate clamping method enables full repeatability.
- Same insert for right-hand or left-hand threads.
- Toolholders include weldon shank and coolant bore.
- Chamfer inserts are also available.

### Contents:

### Page:

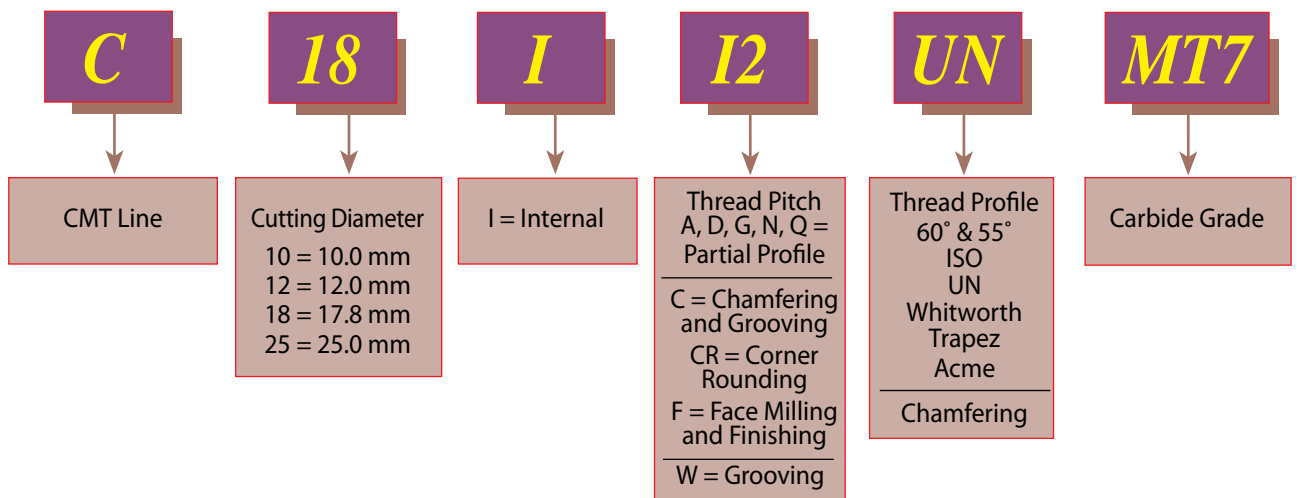
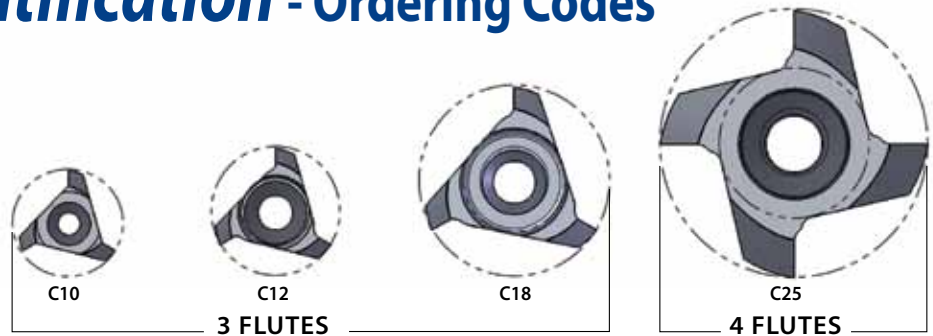
Product Identification	178-179
Partial Profile 60° - UN, ISO	180-181
Partial Profile 60° - NPT	181
Partial Profile 55° - BSW, BSF, BSP (G)	182
Full Profile - ISO	183-184
Full Profile - UN	185-186
G 55° - BSW, BSF, BSP (G)	187
Trapez - DIN 103	187
Acme	187
Chamfering and Grooving	188
Chamfering, Grooving and Boring	188
Groove Milling	189-190
Full Radius Groove Milling	191

### Contents:

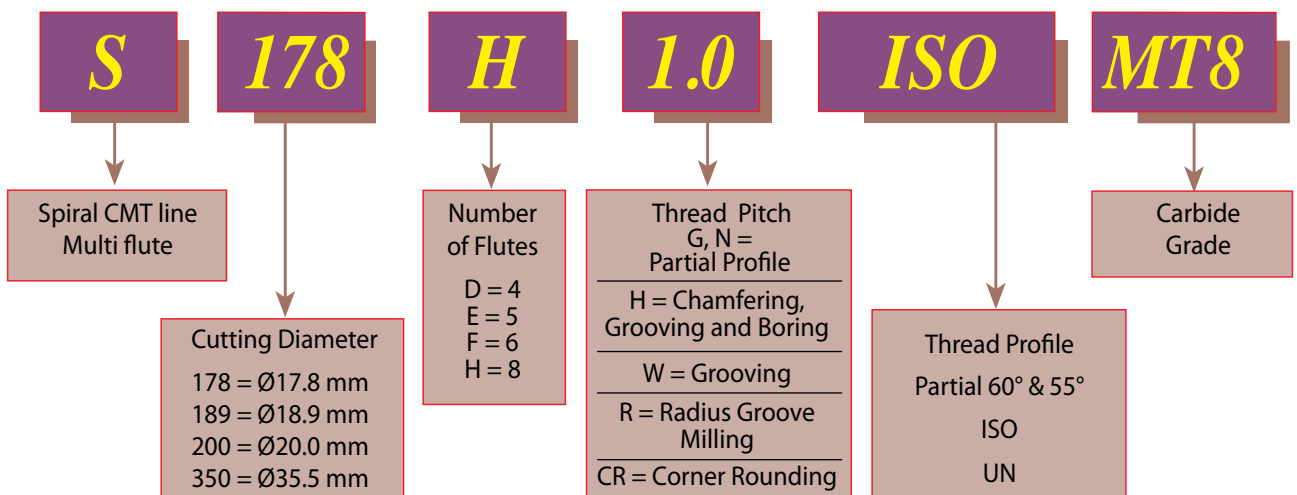
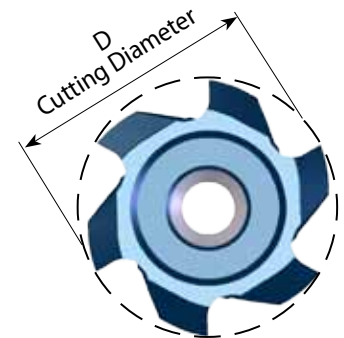
### Page:

Face Milling and Finishing	191
Corner Rounding	192
Steel Toolholders - with Coolant Bore	193
Carbide Shank Toolholders	194
CMT Multi insert Milling Cutters	195
Product Identification	196
Groove Milling	197
Groove Milling with Chamfer	198
Partial Profile 60° - ISO, UN	199
<b>Toolholders</b>	
Milling cutter- Arbor	200
Milling cutter- Weldon Shank	200
Milling cutter- Disc Milling	201

## Product Identification - Ordering Codes

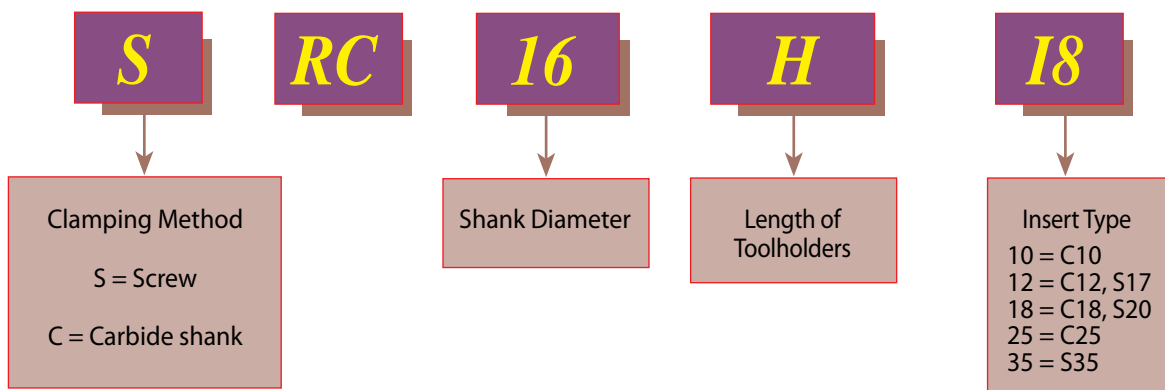


## CMT Spiral Multi Flute Inserts



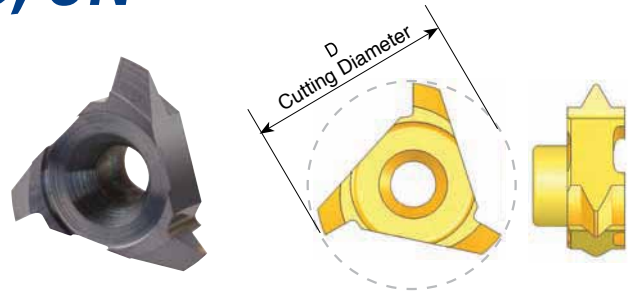


## *Product Identification* - Ordering Codes CMT Toolholders



## Partial Profile 60° - ISO, UN

Same insert for internal and external thread



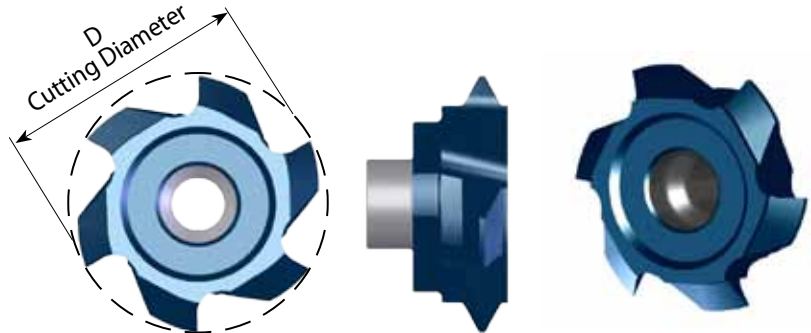
Insert Type	Pitch Range mm	Pitch Range TPI	Ordering Code	D	Thread Diameter (min)		Holder Code
					Pitch Low Range	Pitch High Range	
C10	Int. 0.5 - 0.8	56 - 28	<b>C10 A60</b>	10.0	$\emptyset \geq 11$	$\emptyset \geq 12$	H1, 2, 12, 13
	Ex. 0.4 - 0.8	64 - 32					
	Int. 1.0 - 2.0	28 - 13	<b>C10 G60</b>		$\emptyset \geq 12$	$\emptyset \geq 14$	
	Ex. 0.8 - 1.75	32 - 15					
C12	Int. 0.5 - 0.8	56 - 28	<b>C12 A60</b>	12.0	$\emptyset \geq 13$	$\emptyset \geq 14$	H3, 4, 5, 14, 15
	Ex. 0.4 - 0.8	64 - 32					
	Int. 1.0 - 2.0	28 - 13	<b>C12 G60</b>		$\emptyset \geq 14$	$\emptyset \geq 16$	
	Ex. 0.8 - 1.75	32 - 15					
C18	Int. 0.5 - 0.8	56 - 28	<b>C18 A60</b>	17.8	$\emptyset \geq 19$		H6, 7, 8, 9, 16
	Ex. 0.4 - 0.8	64 - 32					
	Int. 1.0 - 1.75	28 - 14	<b>C18 G60</b>		$\emptyset \geq 20$	$\emptyset \geq 21$	
	Ex. 0.8 - 1.5	32 - 16					
	Int. 2.0 - 3.0	13 - 8	<b>C18 D60</b>		$\emptyset \geq 21$	$\emptyset \geq 23$	
	Ex. 1.75 - 2.5	15 - 10					
C25	Int. 1.5 - 2.5	16 - 10	<b>C25 G60</b>	25.0	$\emptyset \geq 28$	$\emptyset \geq 30$	H10, 11, 17, 18
	Ex. 1.0 - 2.0	28 - 13					
	Int. 3.0 - 5.0	8 - 5	<b>C25 N60</b>		$\emptyset \geq 30$	$\emptyset \geq 34$	
	Ex. 2.5 - 4.5	10 - 6					
	Int. 5.0 - 6.0	5 - 4	<b>C25 Q60</b>		$\emptyset \geq 34$	$\emptyset \geq 35$	
	Ex. 4.5 - 5.0	6 - 5					

\* For complete toolholder description see pages 193 and 194

## Partial Profile 60° - ISO, UN

Same insert for internal and external thread

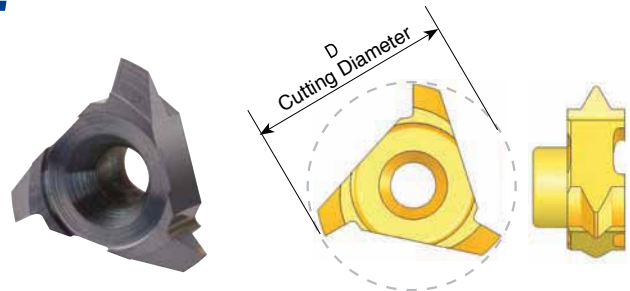
Multi Flute



Insert Type	Ordering Code	Pitch Range mm	Pitch Range TPI	D	No. of Flutes	Thread Dia (min)		Holder Code
						Pitch Low range	Pitch High range	
S20	<b>S200 F G60</b>	Int. 1.5-2.5	16-10	20.0	6	$\varnothing \geq 23$	$\varnothing \geq 25$	H6, 7, 8, 9, 16
		Ex. 1.0-2.0	28-13	20.0	6	$\varnothing \geq 23$	$\varnothing \geq 25$	
	<b>S200 D N60</b>	Int. 3.0-5.0	8- 5	20.0	4	$\varnothing \geq 25$	$\varnothing \geq 29$	H16
		Ex. 2.5-4.5	10-6	20.0	4	$\varnothing \geq 25$	$\varnothing \geq 29$	

## Partial Profile 60° - NPT

Same insert for internal and external thread

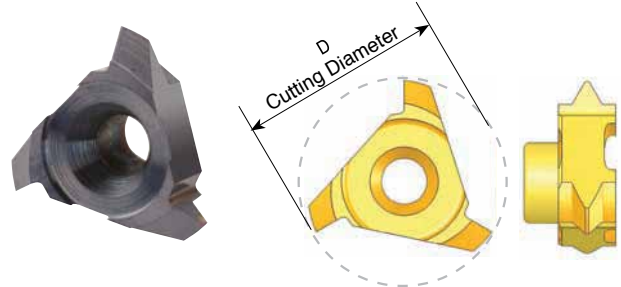


Insert Type	Pitch TPI	Standard	Ordering Code	D	Holder Code
C10	18	1/4 - 3/8	<b>C10 18 NPT</b>	10.0	H1, 2, 12
C18	14	1/2 - 3/4	<b>C18 14 NPT</b>	15.8	H16
C25	11.5	1-2	<b>C25 11.5NPT</b>	25.0	H10, 11, 17, 18
	8	$\geq 2 \frac{1}{2}$	<b>C25 8 NPT</b>	25.0	

\* For complete toolholder description see pages 193 and 194

## Partial Profile 55° - BSP(G), BSF, BSW

Same insert for internal and external thread

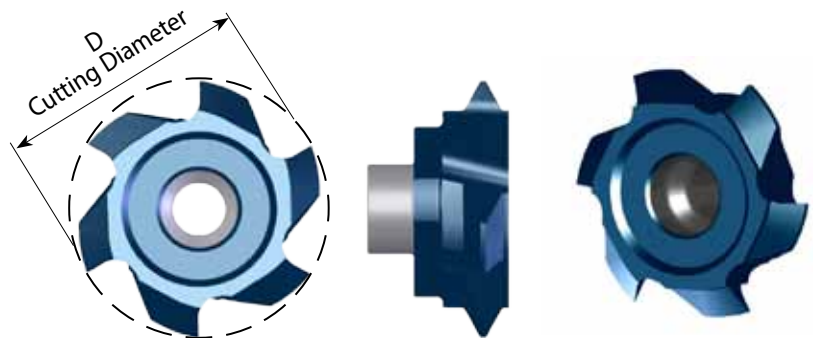


Insert Type	Pitch Range TPI	Ordering Code	D	Thread Dia. (min)	Holder Code
C10	19-14	<b>C10 G55</b>	10.0	$\text{Ø} \geq 13$	H1, 2, 12
C12	28-19	<b>C12 G55</b>	12.0	$\text{Ø} \geq 14$	H3, 4, 5, 14, 15
	14- 11	<b>C12 N55</b>	12.2	$\text{Ø} \geq 16$	H3, 4, 5, 14
C18	14- 8	<b>C18 G55</b>	18.0	$\text{Ø} \geq 23$	H6, 7, 8, 9, 16
C25	7- 5	<b>C25 N55</b>	25.0	$\text{Ø} \geq 31$	H10, 11, 17, 18

## Partial Profile 55° - BSP(G), BSF, BSW

Same insert for internal and external thread

Multi Flute

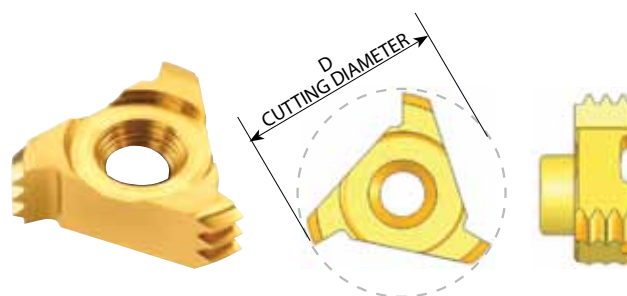


Insert Type	Ordering Code	Pitch Range TPI	D	No. of Flutes	Thread Dia (min)	Holder Code
S20	<b>S195 F G55</b>	14	19.5	6	$\text{Ø} \geq 23$	H6, 7, 8, 9, 16
	<b>S200 D N55</b>	8-6	20.0	4	$\text{Ø} \geq 25$	H16

\* For complete toolholder description see pages 193 and 194

## Full Profile - ISO

Inserts for internal thread



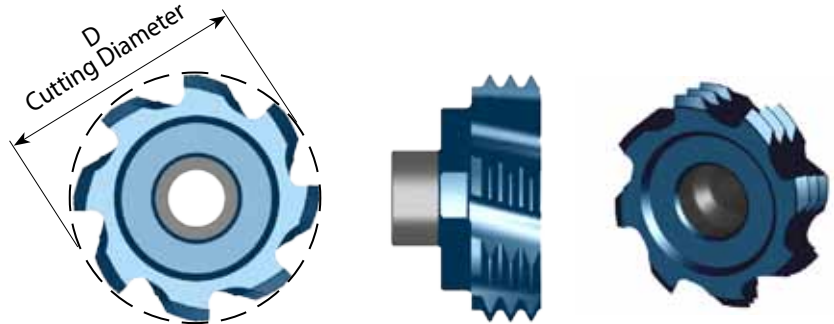
Insert Type	Pitch mm	M coarse	M fine	Ordering Code	Number of Teeth	D	Holder Code
C10	0.5		$\varnothing \geq 10$	<b>C10 I 0.5 ISO</b>	6	9.0	H1, 2, 12, 13
	1.0		$\varnothing \geq 12$	<b>C10 I 1.0 ISO</b>	3	10.0	
	1.5		$\varnothing \geq 13$	<b>C10 I 1.5 ISO</b>	2	10.0	
	1.75	M12	$\varnothing \geq 13$	<b>C10 I 1.75ISO</b>	1	9.6	H1, 2, 12
	2.0	M14	$\varnothing \geq 14$	<b>C10 I 2.0 ISO</b>	1	10.0	
C12	0.5		$\varnothing \geq 13$	<b>C12 I 0.5 ISO</b>	6	12.0	H3, 4, 5, 14, 15
	0.75		$\varnothing \geq 13$	<b>C12 I 0.75ISO</b>	4	12.0	
	1.0		$\varnothing \geq 14$	<b>C12 I 1.0 ISO</b>	3	12.0	
	1.5		$\varnothing \geq 15$	<b>C12 I 1.5 ISO</b>	2	12.0	
	2.0	M16	$\varnothing \geq 16$	<b>C12 I 2.0 ISO</b>	1	12.4	
	2.5	M18, M20	$\varnothing \geq 17$	<b>C12 I 2.5 ISO</b>	1	12.0	H3, 4, 5, 14
	3.0		$\varnothing \geq 17$	<b>C12 I 3.0 ISO</b>	1	12.4	
C18	0.5		$\varnothing \geq 19$	<b>C18 I 0.5 ISO</b>	9	17.8	H6, 7, 8, 9, 16
	0.75		$\varnothing \geq 19$	<b>C18 I 0.75ISO</b>	6	17.8	
	1.0		$\varnothing \geq 20$	<b>C18 I 1.0 ISO</b>	5	17.8	
	1.5		$\varnothing \geq 20$	<b>C18 I 1.5 ISO</b>	3	17.8	
	2.0		$\varnothing \geq 21$	<b>C18 I 2.0 ISO</b>	2	17.8	
	2.5	M22	$\varnothing \geq 22$	<b>C18 I 2.5 ISO</b>	2	17.8	
	3.0	M24, M27	$\varnothing \geq 23$	<b>C18 I 3.0 ISO</b>	1	17.8	
	3.5	M30, M33	$\varnothing \geq 24$	<b>C18 I 3.5 ISO</b>	1	17.8	
C25	3.0	M32, M33	$\varnothing \geq 30$	<b>C25 I 3.0 ISO</b>	2	25.0	H10, 11, 17, 18
	4.0	M36, M39	$\varnothing \geq 32$	<b>C25 I 4.0 ISO</b>	1	25.0	
	4.5	M45	$\varnothing \geq 33$	<b>C25 I 4.5 ISO</b>	1	25.0	
	5.0	M48, M52	$\varnothing \geq 34$	<b>C25 I 5.0 ISO</b>	1	25.0	
	5.5	M60	$\varnothing \geq 35$	<b>C25 I 5.5 ISO</b>	1	25.0	
	6.0	M64, M68	$\varnothing \geq 36$	<b>C25 I 6.0 ISO</b>	1	25.0	

\* For complete toolholder description see pages 193 and 194

## Full Profile - ISO

Inserts for internal thread

Multi Flute

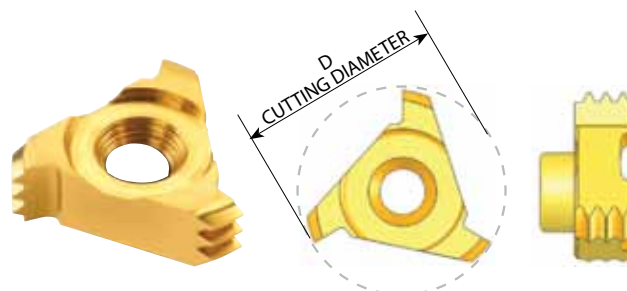


Insert Type	Ordering Code	Pitch mm	M coarse	M fine	Number of Teeth	D	No. of Flutes	Holder Code
S20	<b>S163 H 1.0 ISO</b>	1.0		$\emptyset \geq 18$	5	16.3	8	H6, 7, 8, 9, 16
	<b>S175 H 1.5 ISO</b>	1.5		$\emptyset \geq 20$	3	17.5	8	
	<b>S186 F 2.0 ISO</b>	2.0		$\emptyset \geq 22$	2	18.6	6	
S17	<b>S160 F 2.5 ISO</b>	2.5	M20	$\emptyset \geq 20$	1	16.0	6	H3, 4, 5, 14, 15
S20	<b>S178 F 2.5 ISO</b>	2.5	M22	$\emptyset \geq 22$	2	17.8	6	H6, 7, 8, 9, 16
	<b>S189 F 3.0 ISO</b>	3.0	M24, M27	$\emptyset \geq 24$	1	18.9	6	
	<b>S200 F 3.5 ISO</b>	3.5	M30, M33	$\emptyset \geq 26$	1	20.0	6	
	<b>S200 F 4.0 ISO</b>	4.0	M36, M39	$\emptyset \geq 27$	1	20.0	6	
	<b>S200 E 4.5 ISO</b>	4.5	M42, M45	$\emptyset \geq 28$	1	20.0	5	
	<b>S200 D 5.0 ISO</b>	5.0	M48, M52	$\emptyset \geq 29$	1	20.0	4	H16
S35	<b>S350 F 6.0 ISO</b>	6.0	M64, M68	$\emptyset \geq 46$	1	35.0	6	H19, 20, 21
	<b>S350 F 8.0 ISO</b>	8.0		$\emptyset \geq 50$	1	35.0	6	

\* For complete toolholder description see pages 193 and 194

## Full Profile - UN

Inserts for internal thread



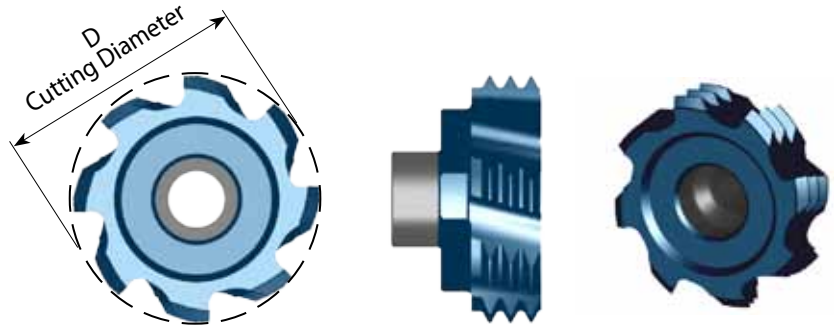
Insert Type	Pitch TPI	Nominal Size	UNC	UNF	UNEF	Ordering Code	Number of Teeth	D	Holder Code
C10	20			1/2		<b>C10 I 20 UN</b>	2	10.0	H1, 2, 12, 13
	18			9/16		<b>C10 I 18 UN</b>	2	10.0	
	13		1/2			<b>C10 I 13 UN</b>	1	10.0	H1, 2, 12
	12	5/8, 11/16, 3/4	9/16			<b>C10 I 12 UN</b>	1	10.0	
C12	32	9/16, 5/8				<b>C12 I 32 UN</b>	3	12.0	H3, 4, 5, 14, 15
	28	9/16, 5/8, 11/16				<b>C12 I 28 UN</b>	3	12.0	
	24				9/16, 5/8, 11/16	<b>C12 I 24 UN</b>	2	12.0	
	20	9/16, 5/8, 11/16			3/4	<b>C12 I 20 UN</b>	2	12.0	
	18			5/8		<b>C12 I 18 UN</b>	2	12.0	
	16	5/8, 11/16		3/4		<b>C12 I 16 UN</b>	1	12.0	
	11		5/8			<b>C12 I 11 UN</b>	1	12.0	H3, 4, 5, 14
	10		3/4			<b>C12 I 10 UN</b>	1	12.0	
C18	32	3/4, 13/16, 7/8				<b>C18 I 32 UN</b>	6	17.8	H6, 7, 8, 9, 16
	28	3/4, 13/16, 7/8				<b>C18 I 28 UN</b>	5	17.8	
	24					<b>C18 I 24 UN</b>	4	17.8	
	20	1 1/16, 1 1/8			13/16, 7/8, 15/16	<b>C18 I 20 UN</b>	3	17.8	
	18					<b>C18 I 18 UN</b>	3	17.8	
	16	7/8, 1				<b>C18 I 16 UN</b>	3	17.8	
	14			7/8		<b>C18 I 14 UN</b>	2	17.8	
	12	7/8		1, 1 1/8		<b>C18 I 12 UN</b>	2	17.8	
	11					<b>C18 I 11 UN</b>	2	17.8	
	9		7/8			<b>C18 I 9 UN</b>	1	17.8	
	8		1			<b>C18 I 8 UN</b>	1	17.8	
C25	8	1 3/16, 1 1/4, 1 5/16				<b>C25 I 8 UN</b>	2	25.0	H10, 11, 17, 18
	7		1 1/4			<b>C25 I 7 UN</b>	1	25.0	
	6	1 7/16, 1 9/16	1 3/8, 1 1/2			<b>C25 I 6 UN</b>	1	25.0	
	5		1 3/4			<b>C25 I 5 UN</b>	1	25.0	
	4		2 1/2, 2 3/4			<b>C25 I 4 UN</b>	1	25.0	

\* For complete toolholder description see pages 193 and 194

## Full Profile - UN

Inserts for internal thread

Multi Flute



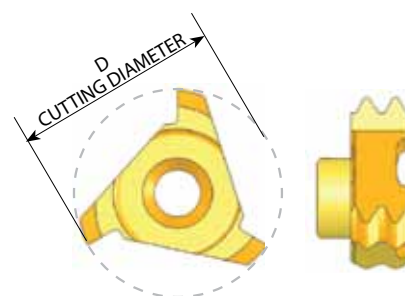
Insert Type	Ordering Code	Pitch TPI	Nominal size	UNC	UNF	UNEF	Number of Teeth	D	No. of Flutes	Holder Code
S20	<b>S160 H 24 UN</b>	24				11/16	4	16.0	8	H6, 7, 8, 9, 16
	<b>S169 H 20 UN</b>	20				3/4, 13/16, 7/8, 15/16, 1	4	16.9	8	
	<b>S164 F 16 UN</b>	16	7/8, 15/16, 1		3/4		3	16.4	6	
	<b>S191 F 14 UN</b>	14			7/8		2	19.1	6	
	<b>S186 F 12 UN</b>	12	7/8, 15/16		1		2	18.6	6	
	<b>S178 F 9 UN</b>	9		7/8			1	17.8	6	
	<b>S200 F 8 UN</b>	8	1 1/8	1			1	20.0	6	
	<b>S200 F 7 UN</b>	7		1 1/8, 1 1/4			1	20.0	6	
	<b>S200 E 6 UN</b>	6	1 7/16	1 3/8, 1 1/2			1	20.0	5	
	<b>S200 D 5 UN</b>	5		1 3/4			1	20.0	4	H16
S35	<b>S350 F 4 UN</b>	4		2 1/2, 2 3/4, 3			1	35.0	6	H19, 20, 21

\* For complete toolholder description see pages 193 and 194



## G 55° BSW, BSF, BSP

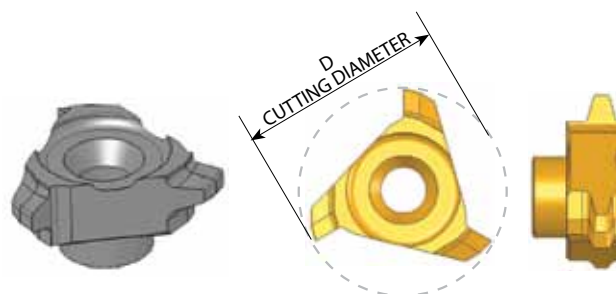
Same Insert for internal and external thread



Insert Type	Pitch TPI	Standard	Ordering Code	Number of Teeth	D	Holder Code
C10	19	G 1/4	<b>C10 19 W</b>	2	10.0	H1, 2, 12, 13
C12	19	G 3/8	<b>C12 19 W</b>	2	12.0	H3, 4, 5, 14, 15
C18	14	G 7/8	<b>C18 14 W</b>	2	17.8	H6, 7, 8, 9, 16
	11	G ≥ 1	<b>C18 11 W</b>	2	17.8	

## Trapez - DIN 103

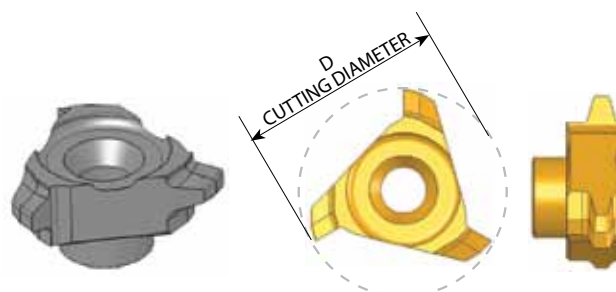
Inserts for internal thread



Insert Type	Pitch mm	Standard	Ordering Code	D	Holder Code
C10	2.0	Ø ≥ 16	<b>C10 I 2 TR</b>	10.0	H1, 2, 12,
C18	3.0	Ø ≥ 24	<b>C18 I 3 TR</b>	17.8	H6, 7, 8, 9, 16
	4.0	Ø ≥ 26	<b>C18 I 4 TR</b>	17.8	H16
	5.0	Ø ≥ 28	<b>C18 I 5 TR</b>	17.8	
C25	6.0	Ø ≥ 36	<b>C25 I 6 TR</b>	25.0	H10, 11, 17, 18

## Acme

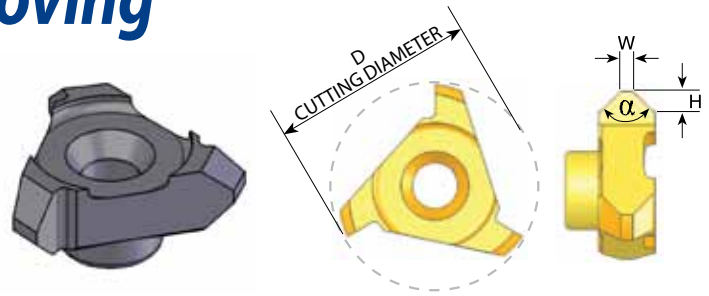
Inserts for internal thread



Insert Type	Pitch TPI	Standard	Ordering Code	D	Holder Code
C18	5	1 1/8, 1 1/4	<b>C18 I 5 ACME</b>	18.0	H16
C25	4	1 1/2, 1 3/4, 2	<b>C25 I 4 ACME</b>	25.0	H10, 11, 17, 18

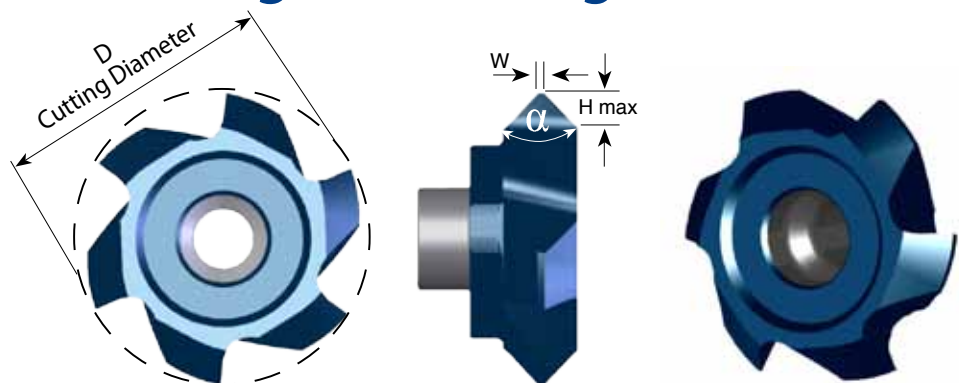
\* For complete toolholder description see pages 193 and 194

## Chamfering and Grooving



Insert Type	Ordering Code	D	H	W	α	Holder Code*
C10	<b>C10 C90</b>	10.0	1.30	0.4	90°	H1, 2, 12
C12	<b>C12 C90</b>	12.0	1.35	0.3	90°	H3, 4, 5, 14
C18	<b>C18 C90</b>	17.8	1.95	1.1	90°	H6, 7, 8, 9, 16
C25	<b>C25 C90</b>	25.0	2.50	1.0	90°	H10, 11, 17, 18

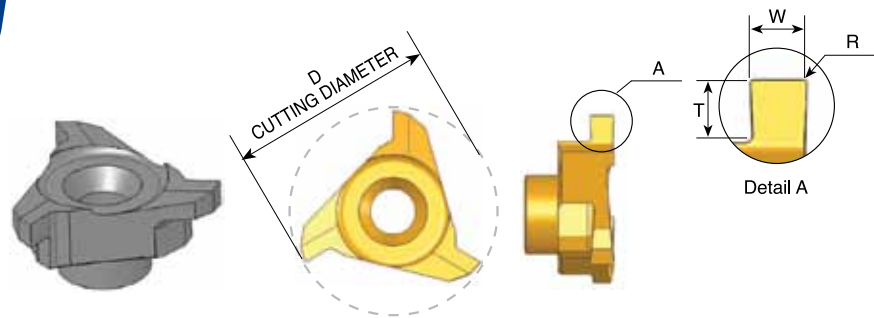
## Chamfering, Grooving and Boring Multi Flute



Insert Type	Ordering Code	D	H max	W	α	No. of Flutes	Holder Code
S17	<b>SC160 E H14</b>	16.0	1.35	0.2	90°	5	H3, 4, 5, 14, 15
S20	<b>SC170 E H14</b>	17.0	1.35	0.2	90°	5	H6, 7, 8, 9, 16
	<b>SC200 F H14</b>	20.0	1.35	0.2	90°	6	H6, 7, 8, 9, 16
	<b>SC200 F H24</b>	20.0	2.35	0.2	90°	6	
	S35	<b>SC350 F H42</b>	35.0	4.20	0.2	90°	6
S20	<b>SC200 F H20</b>	20.0	1.95	1.0	90°	6	H6, 7, 8, 9, 16
	<b>SC200 F H17</b>	20.0	1.70	1.5	90°	6	
	<b>SC200 F H15</b>	20.0	1.50	2.0	90°	6	
	<b>SC200 F H12</b>	20.0	1.20	2.5	90°	6	

\* For complete toolholder description see pages 193 and 194

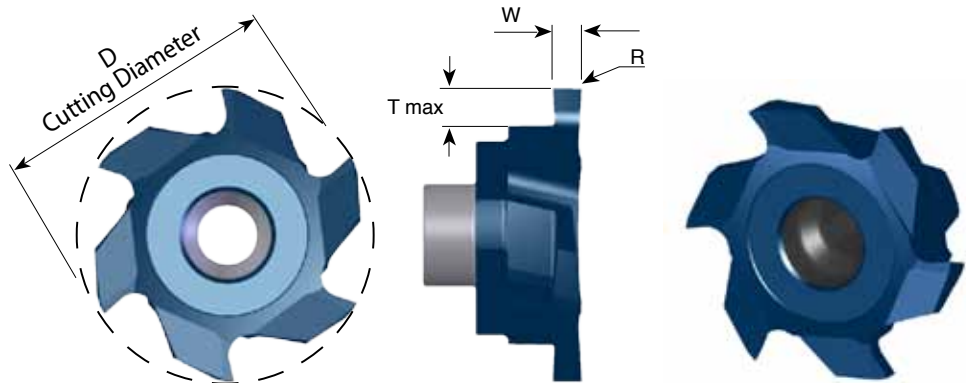
## Groove Milling



Insert Type	Ordering Code	D	W ±0.02	T max.	R	Groove Dia. (min.)	Holder Code
C10	<b>C10 W08</b>	10.0	0.80	0.80	0.1	Ø > 10.0	H1, 2, 12, 13
	<b>C10 W09</b>		0.90	0.90			
	<b>C10 W10</b>		1.00	0.90			
C12	<b>C12 W08</b>	12.0	0.80	0.80	0.1	Ø > 12.0	H3, 4, 5, 14, 15
	<b>C12 W10</b>		1.00	0.90			
C18	<b>C18 W10</b>	17.8	1.00	1.50	0.1	Ø > 17.8	H6, 7, 8, 9, 16
	<b>C18 W12</b>		1.20	1.50			
	<b>C18 W15</b>		1.50	1.95			
	<b>C18 W20</b>		2.00	2.80			H16
C25	<b>C25 W20</b>	25.0	2.00	3.00	0.2	Ø > 25	H10, 11, 17, 18
	<b>C25 W25</b>		2.50	3.00			
	<b>C25 W30</b>		3.00	3.00			
	<b>C25 W35</b>		3.50	3.50			
	<b>C25 W40</b>		4.00	3.50			
	<b>C25 W50</b>		5.00	3.50			

\* For complete toolholder description see pages 193 and 194

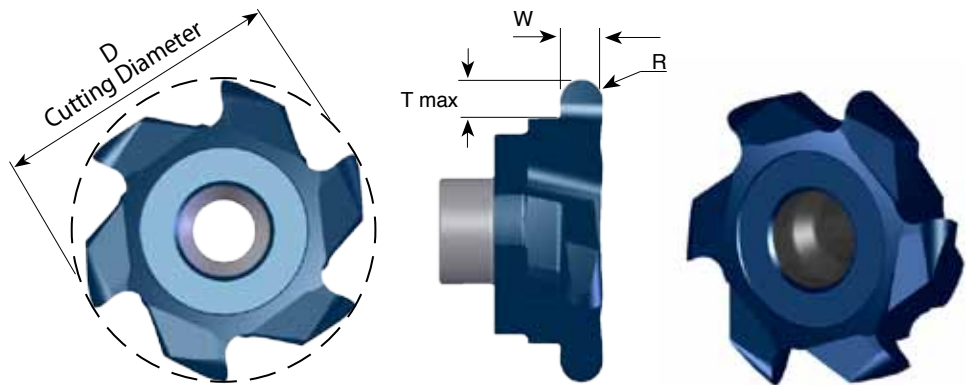
## Groove Milling Multi Flute



Insert Type	Ordering Code	D	W ±0.02	T Max.	R	Groove Dia. (min)	No. of Flutes	Holder Code
S17	<b>SG170 F W15</b>	17.0	1.5	2.8	0.2	Ø > 17	6	H3, 4, 5, 14, 15
	<b>SG170 F W20</b>	17.0	2.0					
	<b>SG170 F W25</b>	17.0	2.5					
S20	<b>SG200 F W15</b>	20.0	1.5	2.9	0.2	Ø > 20	6	H6, 7, 8, 9, 16
	<b>SG200 F W20</b>	20.0	2.0					
	<b>SG200 F W25</b>	20.0	2.5					
	<b>SG200 F W30</b>	20.0	3.0					
	<b>SG200 F W40</b>	20.0	4.0					
	<b>SG200 F W49</b>	20.0	4.9					
S20	<b>SG200 E W20T</b>	20.0	2.0	3.7	0.2	Ø > 20	5	H16
	<b>SG200 E W25T</b>	20.0	2.5					
	<b>SG200 E W30T</b>	20.0	3.0					
S35	<b>SG350 F W30T</b>	35.0	3.0	6.3	0.2	Ø > 35	6	H19, 20, 21
	<b>SG350 F W40T</b>	35.0	4.0					
	<b>SG350 F W50T</b>	35.0	5.0					
	<b>SG350 F W60T</b>	35.0	6.0					
	<b>SG350 F W80T</b>	35.0	8.0					

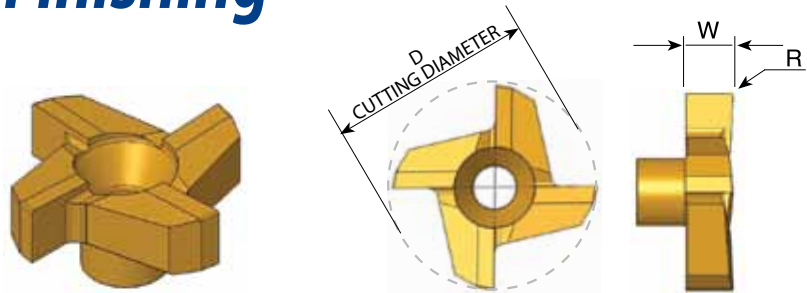
\* For complete toolholder description see pages 193 and 194

## Full Radius Groove Milling Multi Flute



Insert Type	Ordering Code	D	R	W ±0.02	T Max.	Groove Dia. (min)	No. of Flutes	Holder Code
S20	<b>SG200 F R10</b>	20.0	1.0	2.0	2.9	Ø > 20	6	H6, 7, 8, 9, 16
	<b>SG200 F R12</b>	20.0	1.2	2.4				
	<b>SG200 F R15</b>	20.0	1.5	3.0				
	<b>SG200 F R20</b>	20.0	2.0	4.0				

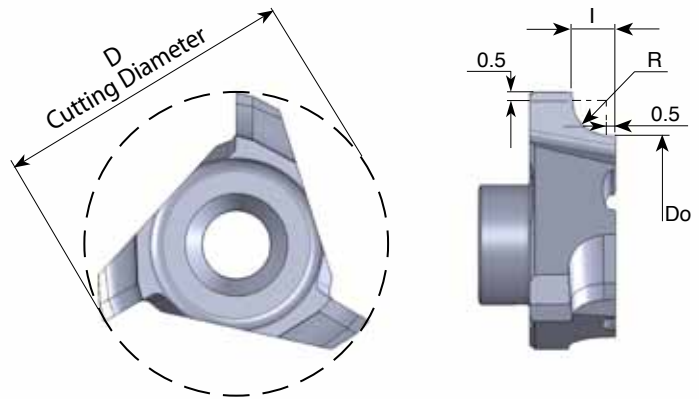
## Face Milling and Finishing



Insert Type	Ordering Code	D	W	R	Holder Code
C18	<b>C18 F R0.1</b>	17.8	5.0	0.1	H6, 7, 8, 9, 16
C25	<b>C25 F R0.2</b>	25.0	6.0	0.2	H10, 11, 17, 18

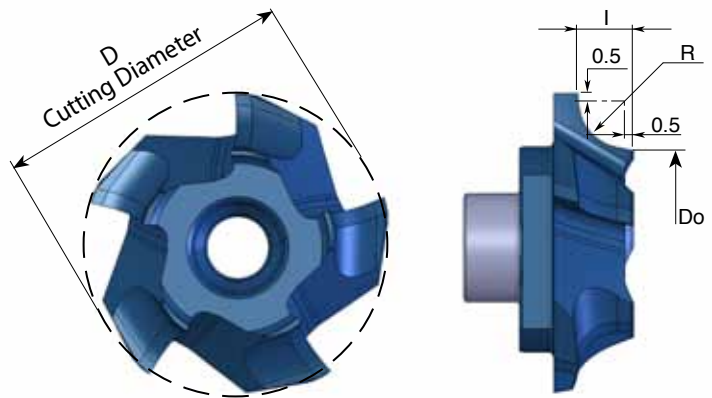
\* For complete toolholder description see pages 193 and 194

## Corner Rounding



Insert Type	Ordering Code	D	Do	R	I	Holder Code
C10	<b>C10 CR05</b>	10.0	7.9	0.5	1.05	H1, 2, 12, 13
	<b>C10 CR10</b>	10.0	6.9	1.0	1.55	
C18	<b>C18 CR13</b>	17.8	14.2	1.25	1.80	H6, 7, 8, 9, 16
	<b>C18 CR15</b>	17.8	13.7	1.5	2.05	
	<b>C18 CR20</b>	17.8	12.7	2.0	2.55	

## Corner Rounding Multi Flute

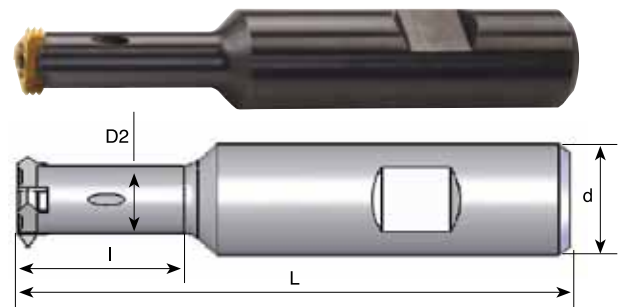


Insert Type	Ordering Code	D	Do	R	I	No. of Flutes	Holder Code
S17	<b>S170 E CR10</b>	17.0	13.9	1.0	1.55	5	H3, 4, 5, 14, 15
	<b>S170 E CR13</b>	17.0	13.4	1.25	1.80	5	
	<b>S170 E CR15</b>	17.0	12.9	1.5	2.05	5	

\* For complete toolholder description see pages 193 and 194

## Steel Toolholders

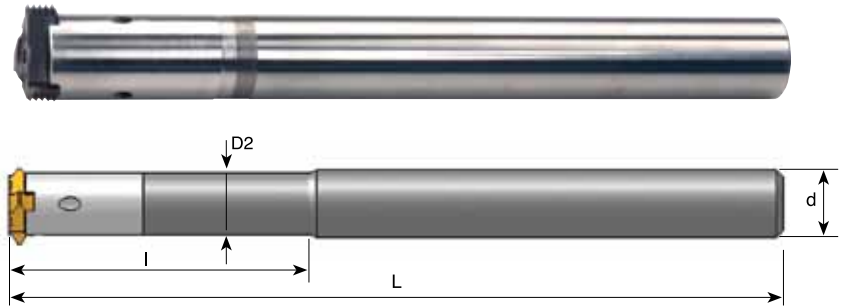
With internal coolant



Tool No.	Ordering Code	Insert Type	d	D2	l	L	Insert Screw	Torx Key
H1	<a href="#">SRC 1210 E</a>	C10	12	7.3	19	70	S5	K5
H2	<a href="#">SRC 1610 G</a>		16		19	90		
H3	<a href="#">SRC 1212 E</a>	C12, S17	12	9.0	25	70	S10	K10
H4	<a href="#">SRC 1612 G</a>		16		25	90		
H5	<a href="#">SRC 1612 H</a>		16		35	100		
H6	<a href="#">SRC 1618 H</a>	C18, S20	16	13.8	48	100	S16	K16
H7	<a href="#">SRC 2018 H</a>		20		32	100		
H8	<a href="#">SRC 2018 J</a>		20		48	110		
H9	<a href="#">SRC 2018 L</a>		20		74	140		
H10	<a href="#">SRC 2525 J</a>	C25	25	17.5	45	115	S27	K27
H11	<a href="#">SRC 2525 M</a>		25		80	150		
H19	<a href="#">SRC 2535 H</a>	S35	25	22	40	100	S33	K33
H20	<a href="#">SRC 2535 K</a>		25		60	130		

## Carbide Shank Toolholders

With internal coolant



Tool No.	Ordering Code	Insert Type	d	D2	l	L	Insert Screw	Torx Key
H12	<b>CRC 0810 L35 K</b>	C10	8	7.3	35	125	S5	K5
H13	<b>CRC 0810 K</b>		8	8.0	—	125	S5	K5
H14	<b>CRC 1012 L40 M</b>	C12, S17	10	9.0	40	150	S10	K10
H15	<b>CRC 1012 M</b>		10	10.0	—	150	S10	K10
H16	<b>CRC 1218 P</b>	C18, S20	12	12.0	—	170	S16	K16
H17	<b>CRC 1625 R</b>	C25	16	16.0	—	205	S27	K27
H18	<b>CRC 2025 L85 S</b>		20	17.5	85	250	S27	K27
H21	<b>CRC 2035 S</b>	S35	20	22.0	—	260	S33	K33

Toolholders without Weldon



## CMT Multi Insert Milling Cutters

C.P.T. presents a new generation of CMT indexable milling inserts and cutters for Grooving, Chamfering and Threading



### Inserts

- Insert profiles are fully ground
- Spiral inserts for smooth cutting operation
- Three cutting edges on each insert
- For a wide range of materials and applications

Carbide grade: MT7

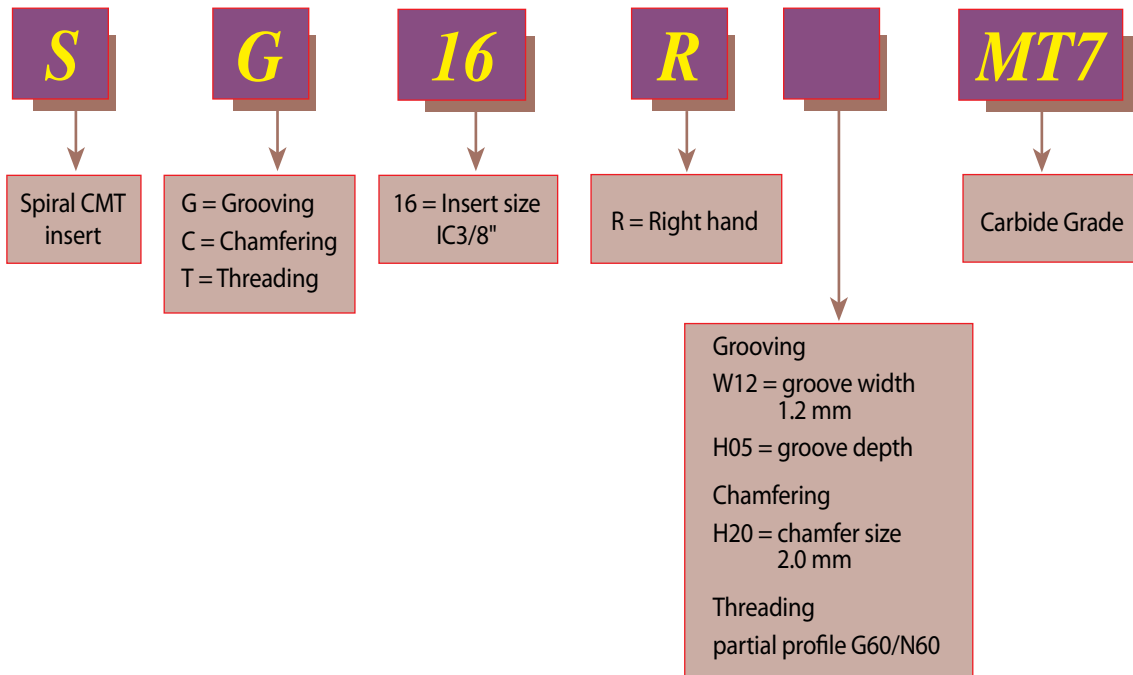


### Milling cutters / Disc milling cutter

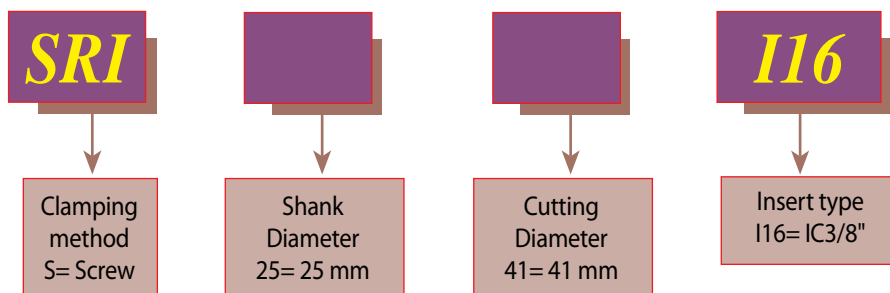
- 4 - 8 inserts per holder, for high productivity
- To use with C.P.T. standard CMT - S35 toolholders
- The milling cutters are coated with a special layer (silver color) for high Anti-corrosive resistance and extra protection against cutting burrs

## Product Identification - Ordering Codes

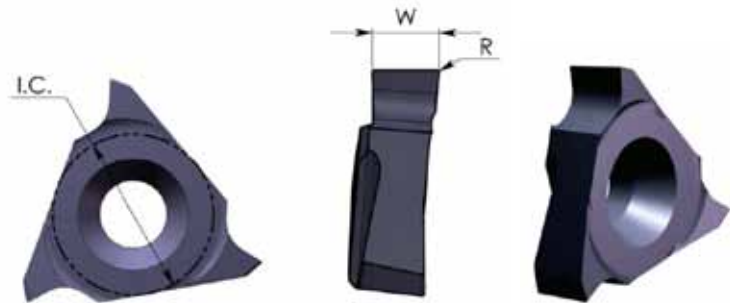
### Inserts



### Toolholders



## Groove Milling



### DIN 471 / 472

Insert Type	I.C.	Ordering Code	W	R	Holder Code
SI16	3/8"	<b>SG 16 R W14</b>	1.40	0.10	H22, H23
		<b>SG 16 R W17</b>	1.70	0.10	
		<b>SG 16 R W19</b>	1.95	0.15	
		<b>SG 16 R W22</b>	2.25	0.15	
		<b>SG 16 R W27</b>	2.75	0.20	
		<b>SG 16 R W32</b>	3.25	0.20	
		<b>SG 16 R W42</b>	4.25	0.20	
		<b>SG 16 R W43</b>	4.35	0.20	H22, H23, H24

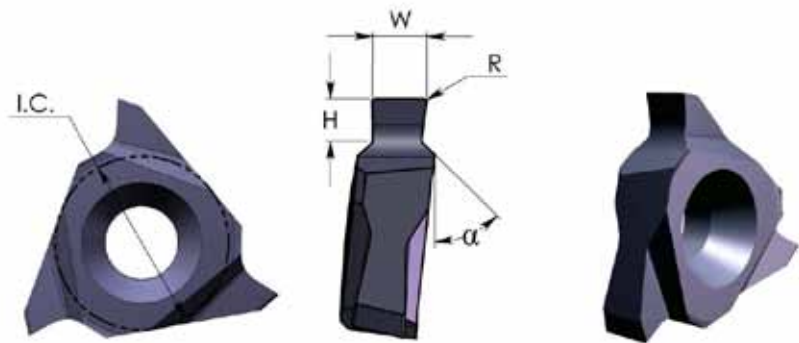
Right hand cutting

Insert Type	I.C.	Ordering Code	W	R	Holder Code
SI16	3/8"	<b>SG 16 L W43</b>	4.35	0.20	H24

Left hand cutting

\* Maximum groove depth (T max) according to the toolholder.

## Groove Milling with Chamfer

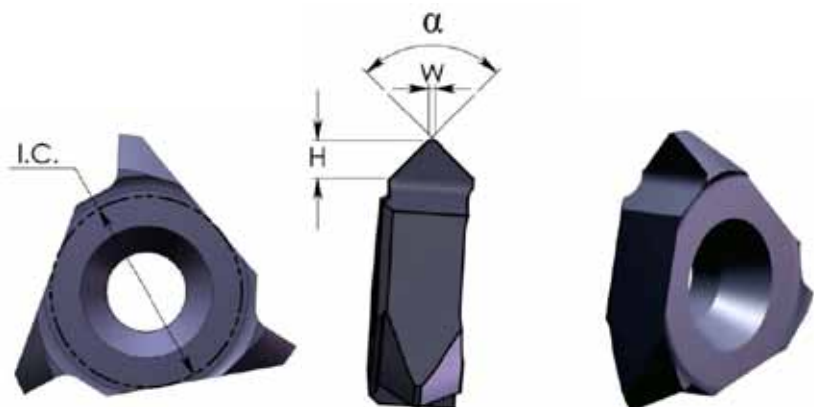


### DIN 471 / 472

Insert Type	I.C.	Ordering Code	W	H max	R	$\alpha$	Holder Code
SI16	3/8"	<b>SG 16 R W12 H05</b>	1.20	0.50	0.10	45°	H22, H23
		<b>SG 16 R W14 H07</b>	1.40	0.70			
		<b>SG 16 R W14 H08</b>	1.40	0.85			
		<b>SG 16 R W17 H08</b>	1.70	0.85			
		<b>SG 16 R W17 H10</b>	1.70	1.00			
		<b>SG 16 R W19 H12</b>	1.95	1.25	0.15		
		<b>SG 16 R W22 H15</b>	2.25	1.50			
		<b>SG 16 R W27 H15</b>	2.75	1.50			
		<b>SG 16 R W27 H17</b>	2.75	1.75			
		<b>SG 16 R W32 H17</b>	3.25	1.75			
		<b>SG 16 R W42 H20</b>	4.25	2.00			
		<b>SG 16 R W42 H25</b>	4.25	2.50			

Right hand cutting

## Chamfering

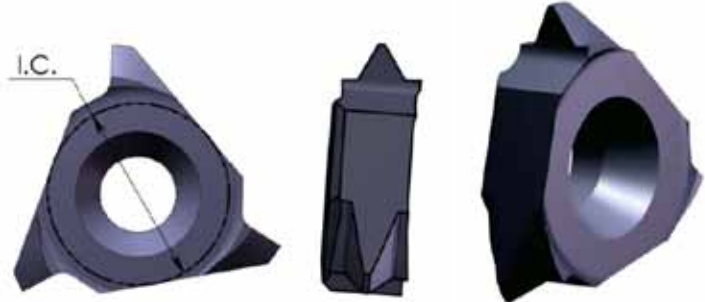


Insert Type	I.C.	Ordering Code	H max	W	$\alpha$	Holder Code
SI16	3/8"	<b>SC 16 R H20</b>	2.00	0.2	90°	H22, H23
		<b>SC 16 R H19</b>	1.90	0.5		

Maximum groove depth (T max) according to the toolholder.

## Partial Profile 60° - ISO, UN

Same Insert for internal and external thread

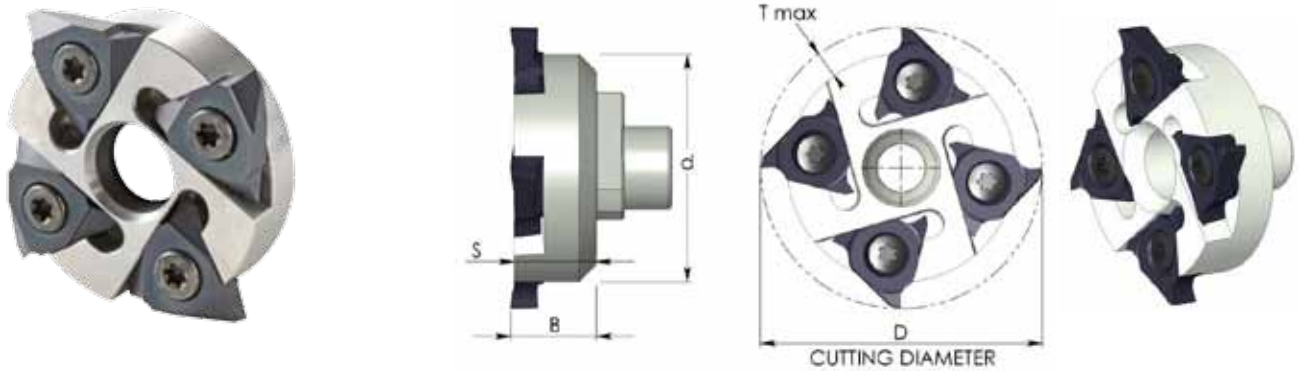


Insert Type	I.C.	Ordering Code	Pitch Range mm	Pitch Range TPI	Holder Code
SI16	3/8"	<b>ST 16 R G60</b>	1.5-3.0	16-8	H22, H23
		<b>ST 16 R N60</b>	3.5-5.0	7-5	

Right hand cutting

## Toolholders

### Milling Cutter- Arbor

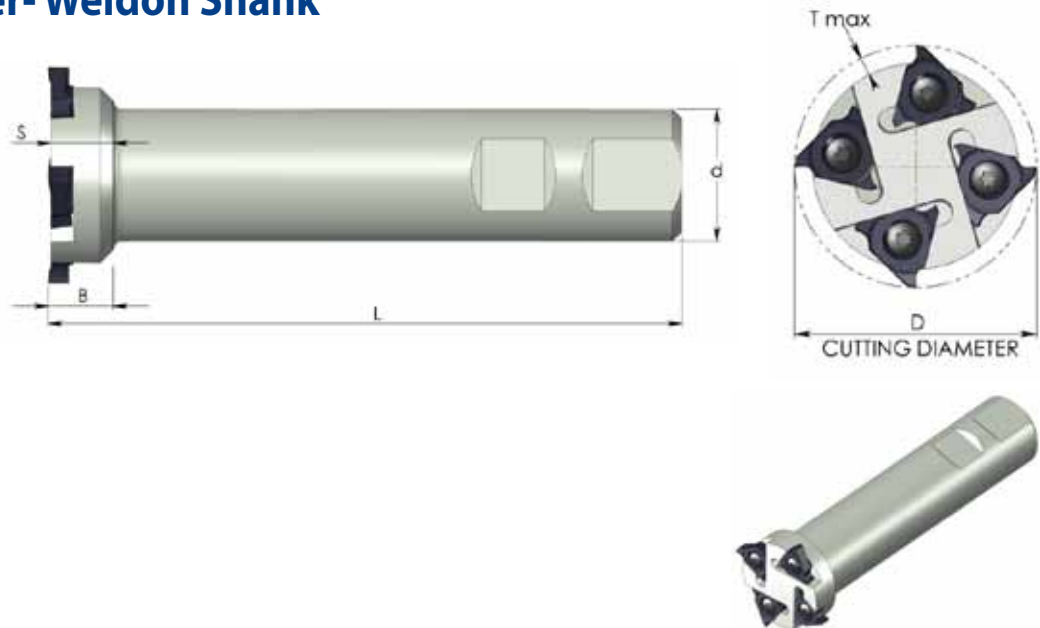


Tool No.	Ordering Code	Insert type	D	d	T max	B	S	Insert Screw	Torx Key
H22	<b>SRI 41- I16</b>	SI16	41	33.2	3.6	12.5	12.0	S16S	K16

Right hand cutting

To connect to the standard CMT toolholders S35: SRC 2535 H, SRC 2535 K, CRC 2035 S

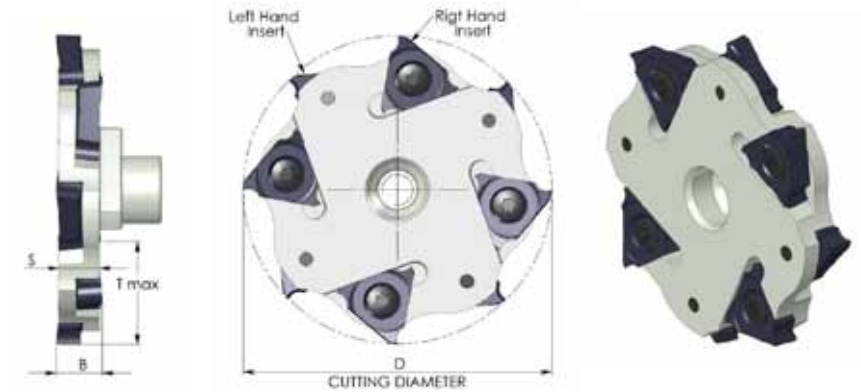
### Milling Cutter- Weldon Shank



Tool No.	Ordering Code	Insert type	D	d	T max	B	S	L	Insert Screw	Torx Key
H23	<b>SRI 2541-I16</b>	SI16	41	25	3.6	12.5	12.0	125	S16S	K16

Right hand cutting

## Mill Cutter - Disc Milling



Tool No.	Ordering Code	Insert type	D	T max	B	S	Insert Screw	Torx Key
H24	<b>SRI 55-I16</b>	SI16	55	15.5	8.2	7.2	S16M	K16

Right hand cutting

To use only with inserts SG 16 R W43, and SG 16 L W43

To connect to the standard CMT toolholders S35: SRC 2535 H, SRC 2535 K, CRC 2035 S





# Mill-Thread Solid Carbide



## Advantages of Mill-Thread Solid Carbide

- Thread is generated in one pass.
- Spiral flutes allow smooth cutting action.
- Shorter machining time due to multi, 3 to 6, flutes.
- 2.2 mm and up cutting diameter.
- Threads up to shoulder in blind hole.
- Longer tool life due to special multi-layer coating.
- Same tool can be used for a variety of materials.
- Excellent surface finish.
- Low cutting pressure allows thin wall machining.
- Same tool used for R.H and L.H. threads.

**MT** - Thread Mills without internal coolant

**MTB** - Thread Mills with internal coolant bore for blind holes

**MTZ** - Thread Mills with internal coolant through the flutes

**MTQ** - Thread Mills that include relieved neck for deep work pieces

**FMT** - Fast Thread Mills with internal coolant bore

### Contents:

### Page:

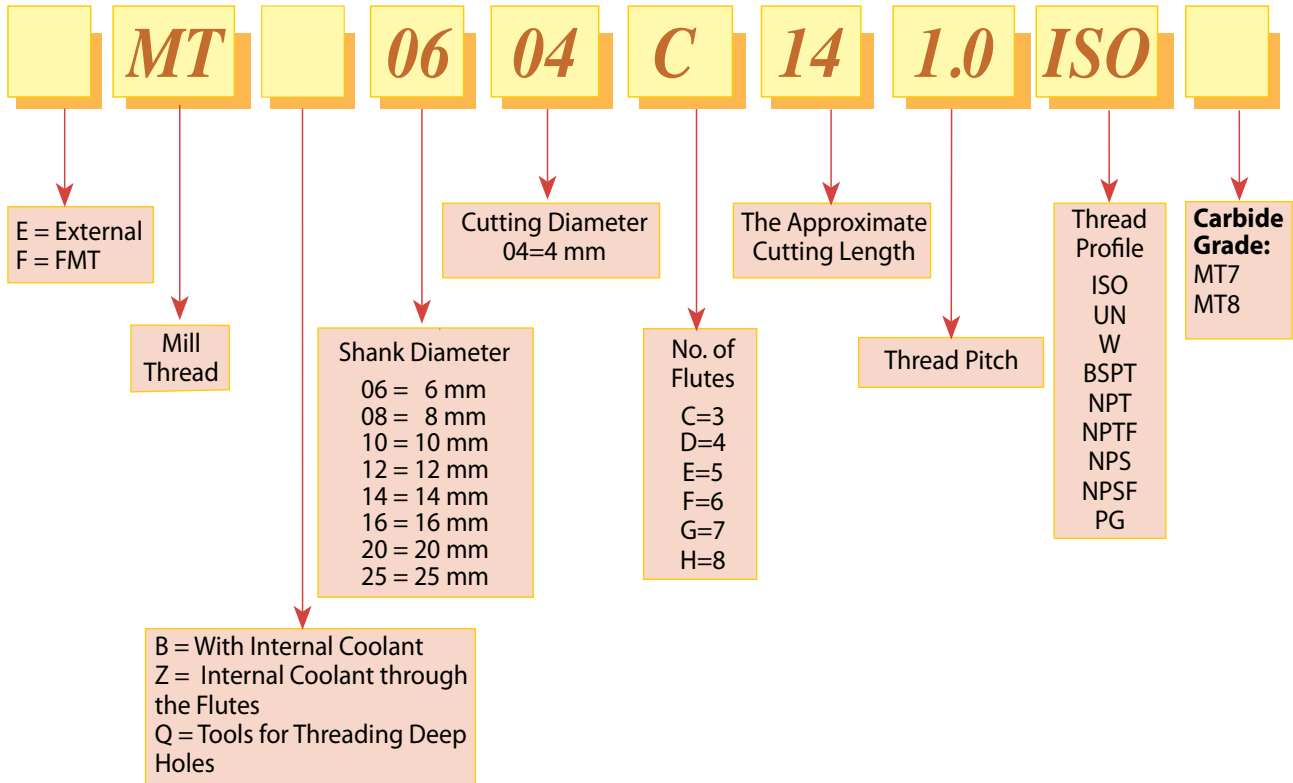
### Contents:

### Page:

Product Identification	204	BSPT	216
ISO	205	BSPT - with internal Coolant Bore - MTB	217
ISO - with internal Coolant Bore - MTB	206	BSPT - with internal Coolant through the Flutes - MTZ	217
ISO - with internal Coolant through the Flutes - MTZ	207	NPT	218
ISO - with internal Coolant Bore - MTQ	208	NPT - with internal Coolant Bore - MTB	218
ISO - with internal Coolant Bore - FMT	209	NPT - with internal Coolant through the Flutes - MTZ	219
G (55°)	209	NPTF	219
G (55°) - with internal Coolant Bore - MTB	210	NPTF - with internal Coolant Bore - MTB	220
G (55°) - with internal Coolant through the Flutes - MTZ	210	NPTF - with internal Coolant through the Flutes - MTZ	220
G (55°) - with internal Coolant through the Flutes - FMT	211	<b>Solid Carbide Tapered End Mills</b>	221
Whitworth - with internal Coolant through the Flutes - MTZ	211	NPS - with internal Coolant Bore - MTB	222
UN	212	NPSF - with internal Coolant Bore - MTB	222
UN - with internal Coolant Bore - MTB	213	PG DIN 40430 - with internal Coolant Bore MTB	223
UN - with internal Coolant through the Flutes - MTZ	214	<b>Mill - Thread Solid Carbide for External Threads</b>	
UN - with internal Coolant Bore - MTQ	215	ISO	224
UN - with internal Coolant Bore - FMT	216	UN	224

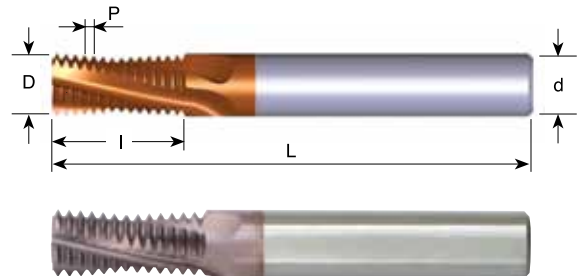
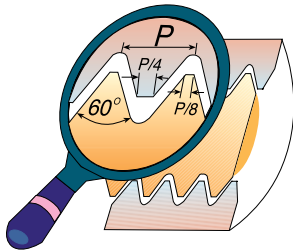
## Product Identification

### Mill-Thread Solid Carbide Ordering Codes



## ISO

### Tools for Internal thread



Pitch mm	M coarse	M fine	Ordering Code	d	D	No. of Flutes	I	L
0.5	M3	$\varnothing \geq 4$	<b>MT06022C5 0.5 ISO</b>	6	2.2	3	5.3	58
0.5		$\varnothing \geq 5$	<b>MT06038C10 0.5 ISO</b>	6	3.8	3	10.3	58
0.7	M4	$\varnothing \geq 5$	<b>MT06031C7 0.7 ISO</b>	6	3.1	3	7.4	58
0.75		$\varnothing \geq 6$	<b>MT06045C10 0.75 ISO</b>	6	4.5	3	10.1	58
0.8	M5	$\varnothing \geq 6$	<b>MT06036C9 0.8 ISO</b>	6	3.6	3	9.2	58
1.0	M6	$\varnothing \geq 7$	<b>MT0604C10 1.0 ISO</b>	6	4.0	3	10.5	58
1.0	M6	$\varnothing \geq 7$	<b>MT0604C14 1.0 ISO</b>	6	4.0	3	14.5	58
1.0		$\varnothing \geq 9$	<b>MT0606C12 1.0 ISO</b>	6	6.0	3	12.5	58
1.0		$\varnothing \geq 10$	<b>MT0808D16 1.0 ISO</b>	8	8.0	4	16.5	64
1.25	M8	$\varnothing \geq 10$	<b>MT0605C14 1.25 ISO</b>	6	5.0	3	14.4	58
1.25	M8	$\varnothing \geq 10$	<b>MT0605C19 1.25 ISO</b>	6	5.0	3	19.4	58
1.5	M10	$\varnothing \geq 12$	<b>MT0807C17 1.5 ISO</b>	8	7.0	3	17.3	64
1.5	M10	$\varnothing \geq 12$	<b>MT0807C24 1.5 ISO</b>	8	7.0	3	24.8	76
1.5		$\varnothing \geq 14$	<b>MT1010D21 1.5 ISO</b>	10	10.0	4	21.8	73
1.5		$\varnothing \geq 20$	<b>MT1616F33 1.5 ISO</b>	16	16.0	6	33.8	105
1.75	M12	$\varnothing \geq 14$	<b>MT0808C20 1.75 ISO</b>	8	8.0	3	20.1	64
1.75	M12	$\varnothing \geq 14$	<b>MT0808C28 1.75 ISO</b>	8	8.0	3	28.9	76
2.0	M16	$\varnothing \geq 17$	<b>MT1010C27 2.0 ISO</b>	10	10.0	3	27.0	73
2.0	M16	$\varnothing \geq 17$	<b>MT1010C39 2.0 ISO</b>	10	10.0	3	39.0	105
2.0		$\varnothing \geq 18$	<b>MT1212D27 2.0 ISO</b>	12	12.0	4	27.0	84
2.0		$\varnothing \geq 26$	<b>MT2020F41 2.0 ISO</b>	20	20.0	6	41.0	105
2.5	M20	$\varnothing \geq 22$	<b>MT1414D33 2.5 ISO</b>	14	14.0	4	33.8	84
2.5	M20	$\varnothing \geq 22$	<b>MT1414D48 2.5 ISO</b>	14	14.0	4	48.8	105
3.0	M24	$\varnothing \geq 25$	<b>MT1616C40 3.0 ISO</b>	16	16.0	3	40.5	105
3.0	M24	$\varnothing \geq 25$	<b>MT1616C58 3.0 ISO</b>	16	16.0	3	58.5	120
3.0	M27	$\varnothing \geq 28$	<b>MT2020D43 3.0 ISO</b>	20	20.0	4	43.5	105

Order example: MT 1212D27 2.0 ISO MT7

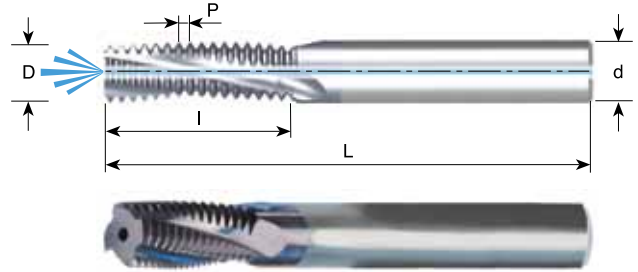
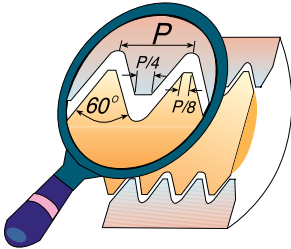
For thread mills with coolant bore see following pages

For small thread mills see pages 227-228, 235 & 245



## ISO With internal coolant bore

### Tools for Internal thread



Pitch mm	M coarse	M fine	Ordering Code	d	D	No. of Flutes	I	L
0.5		$\varnothing \geq 5$	<b>MTB06038C10 0.5 ISO</b>	6	3.8	3	10.3	58
0.7	M4	$\varnothing \geq 5$	<b>MTB06031C7 0.7 ISO</b>	6	3.1	3	7.4	58
0.75		$\varnothing \geq 6$	<b>MTB06045C10 0.75 ISO</b>	6	4.5	3	10.1	58
0.75		$\varnothing \geq 12$	<b>MTB1010D24 0.75 ISO</b>	10	10.0	4	24.4	73
0.8	M5	$\varnothing \geq 6$	<b>MTB06038C9 0.8 ISO</b>	6	3.8	3	9.2	58
1.0	M6	$\varnothing \geq 7$	<b>MTB06046C10 1.0 ISO</b>	6	4.6	3	10.5	58
1.0	M6	$\varnothing \geq 7$	<b>MTB06046C14 1.0 ISO</b>	6	4.6	3	14.5	58
1.0		$\varnothing \geq 9$	<b>MTB0606C12 1.0 ISO</b>	6	6.0	3	12.5	58
1.0		$\varnothing \geq 10$	<b>MTB0808D16 1.0 ISO</b>	8	8.0	4	16.5	64
1.0		$\varnothing \geq 12$	<b>MTB1010D24 1.0 ISO</b>	10	10.0	4	24.5	73
1.25	M8	$\varnothing \geq 10$	<b>MTB0606C14 1.25 ISO</b>	6	6.0	3	14.4	58
1.25	M8	$\varnothing \geq 10$	<b>MTB0606C19 1.25 ISO</b>	6	6.0	3	19.4	58
1.5	M10	$\varnothing \geq 12$	<b>MTB08078C17 1.5 ISO</b>	8	7.8	3	17.0	64
1.5	M10	$\varnothing \geq 12$	<b>MTB08078C24 1.5 ISO</b>	8	7.8	3	24.8	76
1.5		$\varnothing \geq 14$	<b>MTB1010D21 1.5 ISO</b>	10	10.0	4	21.8	73
1.5		$\varnothing \geq 16$	<b>MTB1212D26 1.5 ISO</b>	12	12.0	4	26.3	84
1.5		$\varnothing \geq 20$	<b>MTB1616F33 1.5 ISO</b>	16	16.0	6	33.8	105
1.75	M12	$\varnothing \geq 12$	<b>MTB1009C20 1.75 ISO</b>	10	9.0	3	20.1	73
1.75	M12	$\varnothing \geq 12$	<b>MTB1009C28 1.75 ISO</b>	10	9.0	3	28.9	73
2.0	M14	$\varnothing \geq 15$	<b>MTB1010C27 2.0 ISO</b>	10	10.0	3	27.0	73
2.0	M16	$\varnothing \geq 17$	<b>MTB12118D27 2.0 ISO</b>	12	11.8	4	27.0	84
2.0	M16	$\varnothing \geq 17$	<b>MTB12118D39 2.0 ISO</b>	12	11.8	4	39.0	105
2.0		$\varnothing \geq 26$	<b>MTB2020F41 2.0 ISO</b>	20	20.0	6	41.0	105
2.5	M20	$\varnothing \geq 22$	<b>MTB1615E33 2.5 ISO</b>	16	15.0	5	33.8	105
2.5	M20	$\varnothing \geq 22$	<b>MTB1615E48 2.5 ISO</b>	16	15.0	5	48.8	105
3.0	M24	$\varnothing \geq 25$	<b>MTB2018D40 3.0 ISO</b>	20	18.0	4	40.5	105
3.0	M24	$\varnothing \geq 25$	<b>MTB2018D58 3.0 ISO</b>	20	18.0	4	58.5	120
3.0	M27	$\varnothing \geq 27$	<b>MTB2020D43 3.0 ISO</b>	20	20.0	4	43.5	105

Order example: MTB 08078C17 1.5 ISO MT7

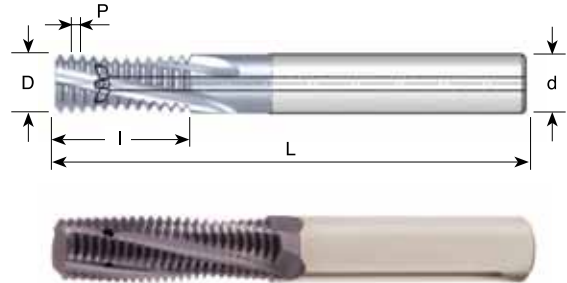
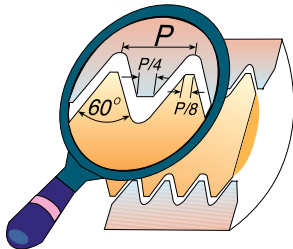
For thread mills with coolant through the flutes see next page

For small thread mills see pages 227-228, 235 & 245



## ISO With internal coolant through the flutes

### Tools for Internal Thread



Pitch mm	M coarse	M fine	Ordering Code	d	D	No. of Flutes	I	L
1.0	M6	$\varnothing \geq 7$	<b>MTZ06048C10 1.0 ISO</b>	6	4.8	3	10.5	58
1.0		$\varnothing \geq 9$	<b>MTZ0606C12 1.0 ISO</b>	6	6.0	3	12.5	58
1.0		$\varnothing \geq 10$	<b>MTZ0808D16 1.0 ISO</b>	8	8.0	4	16.5	64
1.25	M8	$\varnothing \geq 10$	<b>MTZ0606C14 1.25 ISO</b>	6	6.0	3	14.4	58
1.25	M8	$\varnothing \geq 10$	<b>MTZ0606C19 1.25 ISO</b>	6	6.0	3	19.4	58
1.5	M10	$\varnothing \geq 12$	<b>MTZ08078C17 1.5 ISO</b>	8	7.8	3	17.0	64
1.5		$\varnothing \geq 14$	<b>MTZ1010D21 1.5 ISO</b>	10	10.0	4	21.8	73
1.5		$\varnothing \geq 16$	<b>MTZ1212D26 1.5 ISO</b>	12	12.0	4	26.3	84
1.5		$\varnothing \geq 20$	<b>MTZ1616E33 1.5 ISO</b>	16	16.0	5	33.8	101
1.75	M12	$\varnothing \geq 12$	<b>MTZ1009C20 1.75 ISO</b>	10	9.0	3	20.1	73
1.75	M12	$\varnothing \geq 12$	<b>MTZ1009C28 1.75 ISO</b>	10	9.0	3	28.9	73
2.0	M14	$\varnothing \geq 15$	<b>MTZ1010C27 2.0 ISO</b>	10	10.0	3	27.0	73
2.0	M16	$\varnothing \geq 17$	<b>MTZ12118D27 2.0 ISO</b>	12	11.8	4	27.0	84
2.5	M20	$\varnothing \geq 22$	<b>MTZ1615E33 2.5 ISO</b>	16	15.0	5	33.8	101

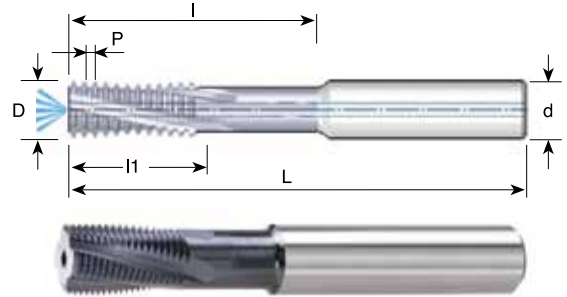
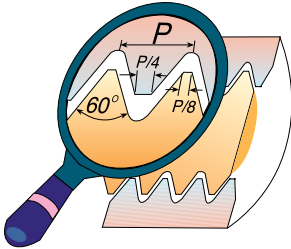
Order example: MTZ 08078C17 1.5 ISO MT7

For small thread mills see pages 227-228, 235 & 245



## ISO With relieved neck and internal coolant bore

### Tools for Internal Thread



Pitch TPI	M fine	Ordering Code	d	D	No. of Flutes	l1	l	L
1.0	$\emptyset \geq 12$	<b>MTQ1010D32 1.0 ISO</b>	10	10.0	4	18.0	32.0	73
1.0	$\emptyset \geq 14$	<b>MTQ1212D38 1.0 ISO</b>	12	12.0	4	21.0	38.0	84
1.0	$\emptyset \geq 18$	<b>MTQ1616F45 1.0 ISO</b>	16	16.0	6	26.0	45.0	105
1.5	$\emptyset \geq 13$	<b>MTQ1010D30 1.5 ISO</b>	10	10.0	4	18.0	30.0	73
1.5	$\emptyset \geq 15$	<b>MTQ1212D34 1.5 ISO</b>	12	12.0	4	19.5	34.5	84
1.5	$\emptyset \geq 19$	<b>MTQ1616F43 1.5 ISO</b>	16	16.0	6	25.5	43.5	105
1.5	$\emptyset \geq 23$	<b>MTQ2020F60 1.5 ISO</b>	20	20.0	6	36.0	60.0	105
2.0	$\emptyset \geq 16$	<b>MTQ1212D42 2.0 ISO</b>	12	12.0	4	24.0	42.0	84
2.0	$\emptyset \geq 20$	<b>MTQ1616E45 2.0 ISO</b>	16	16.0	5	26.0	45.0	105
2.0	$\emptyset \geq 24$	<b>MTQ2020F56 2.0 ISO</b>	20	20.0	6	34.0	56.0	105
3.0	$\emptyset \geq 22$	<b>MTQ1616D45 3.0 ISO</b>	16	16.0	4	30.0	45.0	105
3.0	$\emptyset \geq 26$	<b>MTQ2020E54 3.0 ISO</b>	20	20.0	5	33.0	54.0	105
3.5	$\emptyset \geq 26$	<b>MTQ2020D45 3.5 ISO</b>	20	20.0	4	28.0	45.5	105
4.0	$\emptyset \geq 31$	<b>MTQ2525D64 4.0 ISO</b>	25	25.0	4	40.0	64.0	160

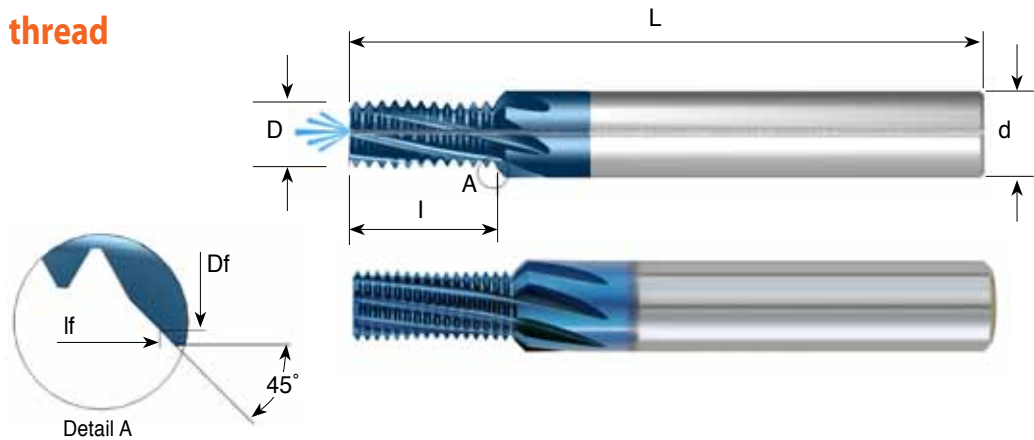
Order example: MTQ 1010D30 1.5 ISO MT7

For small thread mills see pages 227-228, 235 & 245



## ISO Fast MT With internal coolant bore

### Tools for Internal thread

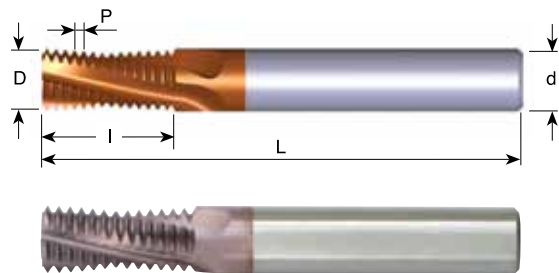
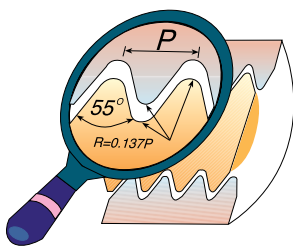


Pitch mm	M coarse	M fine	Ordering Code	d	D	Df	Flutes	I	lf	L
1.0	M6	$\varnothing \geq 7$	<b>FMT 08048 F10 1.0 ISO</b>	8	4.8	6.8	6	10.5	11.5	64
1.25	M8	$\varnothing \geq 10$	<b>FMT 10064 G14 1.25 ISO</b>	10	6.4	9.6	7	14.4	16.0	73
1.5	M10	$\varnothing \geq 12$	<b>FMT 1008 G17 1.5 ISO</b>	10	8.0	9.8	7	17.3	18.2	73
1.75	M12	$\varnothing \geq 12$	<b>FMT 12095 G20 1.75 ISO</b>	12	9.5	11.7	7	20.1	21.2	84

Order example: FMT 1008 G17 1.5 ISO MT8

## G (55°) BSF, BSP

### Same Tool for Internal and External Thread



Pitch TPI	Standard	Ordering Code	d	D	No. of Flutes	I	L
28	G1/16-G1/8	<b>MT0606C9 28 W</b>	6	6.0	3	9.5	58
19	G1/4-3/8	<b>MT0808C14 19 W</b>	8	8.0	3	14.0	64
14	G1/2-7/8	<b>MT1212D19 14 W</b>	12	12.0	4	19.0	84
14	G1/2-7/8	<b>MT1212D26 14 W</b>	12	12.0	4	26.3	84
11	$G \geq 1$	<b>MT1212C24 11 W</b>	12	12.0	3	24.2	84
11	$G \geq 1$	<b>MT1616D38 11 W</b>	16	16.0	4	38.1	105
11	$G \geq 1$	<b>MT2020E47 11 W</b>	20	20.0	5	47.3	105

Order example: MT 1212D19 14 W MT7

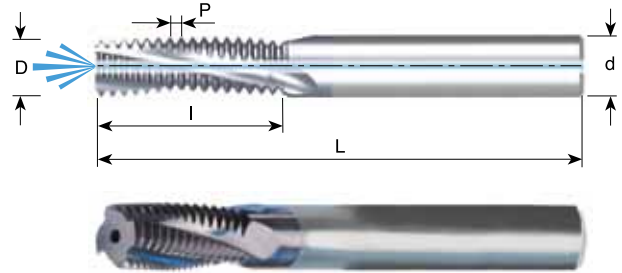
For small thread mills see pages 231, 234 & 247

For thread mills with coolant see next page



## G (55°) BSF, BSP With internal coolant bore

Same Tool for Internal and External Thread



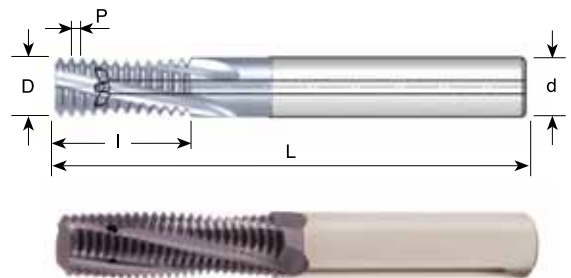
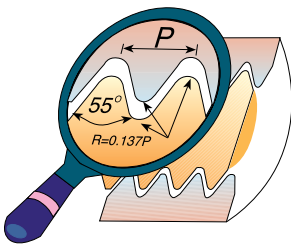
Pitch TPI	Standard	Ordering Code	d	D	No. of Flutes	I	L
28	G1/8	<b>MTB08078C14 28W</b>	8	7.8	3	14.1	64
19	G1/4-3/8	<b>MTB1010D16 19W</b>	10	10.0	4	16.7	73
14	G1/2-7/8	<b>MTB1616E26 14W</b>	16	16.0	5	26.3	105
11	G≥1	<b>MTB1616D38 11W</b>	16	16.0	4	38.1	105
11	G≥1	<b>MTB2020E47 11W</b>	20	20.0	5	47.3	105

Order example: MTB 1010D16 19 W MT7

For small thread mills see pages 231, 234 & 247

## G 55° BSF, BSP With internal coolant through the flutes

Same Tool for Internal and External Thread



Pitch TPI	Standard	Ordering Code	d	D	No. of Flutes	I	L
28	G1/8	<b>MTZ08078C14 28W</b>	8	7.8	3	14.1	64
19	G1/4-3/8	<b>MTZ1010D16 19W</b>	10	10.0	4	16.7	73
14	G1/2-7/8	<b>MTZ1616E26 14W</b>	16	16.0	5	26.3	101
11	G≥1	<b>MTZ1616D38 11W</b>	16	16.0	4	38.1	101

Order example: MTZ 08078C14 28 W MT7

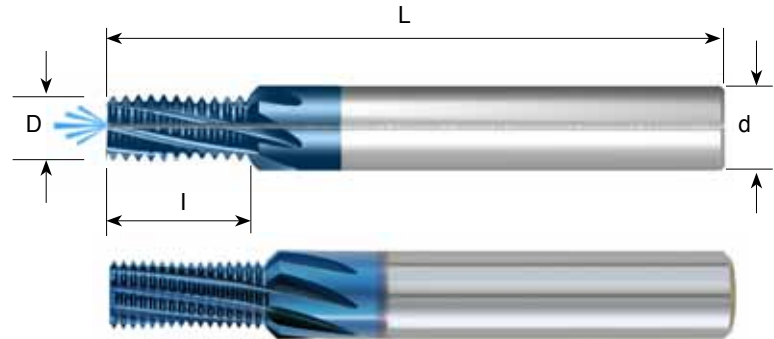
For small thread mills see pages 231, 234 & 247





## G 55° Fast MT With internal coolant bore

Same Tool for Internal and External Thread



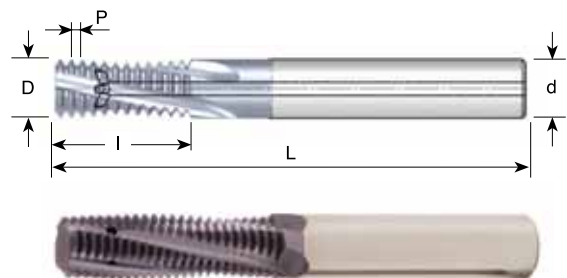
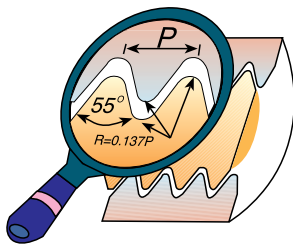
Pitch TPI	Standard	Ordering Code	d	D	No. of Flutes	I	L
28	G1/8	FMT08078H14 28W	8	7.8	8	14.1	64
19	G1/4-3/8	FMT1010G16 19W	10	10.0	7	16.7	73
14	G1/2-7/8	FMT1616H26 14W	14	14.0	8	26.3	84
11	G≥1	FMT1616H38 11W	16	16.0	8	38.1	105

Order example: FMT 1616 H38 11W MT8

\* Without cutting chamfer

## Whitworth BSW With internal coolant through the flutes

Same Tool for Internal and External Thread



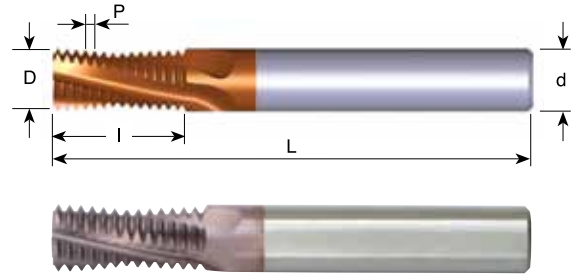
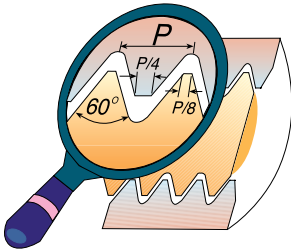
Pitch TPI	Standard	Ordering Code	d	D	No. of Flutes	I	L
* 20	1/4	MTZ06046C12 20W	6	4.6	3	12.1	58
18	5/16	MTZ06053C14 18W	6	5.3	3	14.8	58
16	3/8	MTZ08064C16 16W	8	6.8	3	16.7	64
16	1/2	MTZ10092D24 16W	10	9.2	4	24.6	73
14	7/16	MTZ08078D20 14W	8	7.8	4	20.9	64
12	1/2	MTZ10086D24 12W	10	8.6	4	24.4	73
11	5/8	MTZ12109D28 11W	12	10.9	4	28.9	84

Order example: MTZ 08064C16 16 W MT7

\* Cutter without coolant

## UN

### Tools for Internal Thread



Pitch TPI	UNC	UNF	UNEF	Ordering Code	d	D	No. of Flutes	I	L
40	5			<b>MT06025C6 40UN</b>	6	2.5	3	6.0	58
32	8	10	12	<b>MT06032C6 32UN</b>	6	3.2	3	6.8	58
28		1/4		<b>MT0604C11 28UN</b>	6	4.0	3	11.3	58
28			7/16-1/2	<b>MT0606C14 28UN</b>	6	6.0	3	14.1	58
24		5/16		<b>MT0605C14 24UN</b>	6	5.0	3	14.3	58
24		3/8	9/16-5/8	<b>MT0807C21 24UN</b>	8	7.0	3	20.6	64
20	1/4			<b>MT06045C12 20UN</b>	6	4.5	3	12.1	58
20		7/16-1/2		<b>MT0807C21 20UN</b>	8	7.0	3	21.0	64
20			3/4-1	<b>MT1212E27 20UN</b>	12	12.0	5	27.3	84
18	5/16			<b>MT0605C14 18UN</b>	6	5.0	3	14.8	58
18		9/16-5/8	1 1/8-1 5/8	<b>MT1010D26 18UN</b>	10	10.0	4	26.1	73
16	3/8			<b>MT0606C16 16UN</b>	6	6.0	3	16.7	58
16		3/4		<b>MT1212D31 16UN</b>	12	12.0	4	31.0	84
14	7/16			<b>MT0807C20 14UN</b>	8	7.0	3	20.9	64
14		7/8		<b>MT1615E37 14UN</b>	16	15.0	5	37.2	105
13	1/2			<b>MT0808C22 13UN</b>	8	8.0	3	22.5	64
12	9/16			<b>MT1010C26 12UN</b>	10	10.0	3	26.5	73
12		1-1 1/2		<b>MT1616E41 12UN</b>	16	16.0	5	41.3	105
11	5/8			<b>MT1010C28 11UN</b>	10	10.0	3	28.9	73
10	3/4			<b>MT1212C34 10UN</b>	12	12.0	3	34.3	84
9	7/8			<b>MT1615C38 9UN</b>	16	15.0	3	38.1	105
8	1			<b>MT1616C42 8UN</b>	16	16.0	3	42.9	105
7	1 1/8-1 1/4			<b>MT2020D45 7UN</b>	20	20.0	4	45.3	105

Order example: MT 1615 E37 14 UN MT7

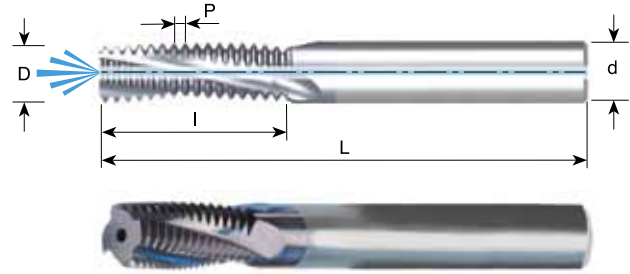
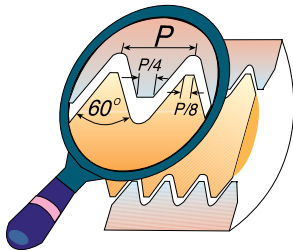
For thread mills with coolant bore see following pages

For small thread mills see pages 229-230, 235 & 246



## UN With internal coolant bore

### Tools for Internal Thread



Pitch TPI	UNC	UNF	UNEF	Ordering Code	d	D	No. of Flutes	I	L
32	8	10	12	<b>MTB06032C6 32 UN</b>	6	3.2	3	6.8	58
32			5/16	<b>MTB0606C14 32 UN</b>	6	6.0	3	14.7	58
32			3/8	<b>MTB0808D18 32 UN</b>	8	8.0	4	18.7	64
28		1/4		<b>MTB0605C11 28 UN</b>	6	5.0	3	11.3	58
28			7/16-1/2	<b>MTB0606C14 28 UN</b>	6	6.0	3	14.1	58
24		5/16		<b>MTB08066C14 24 UN</b>	8	6.6	3	14.3	64
24		3/8	9/16-5/8	<b>MTB0808D21 24 UN</b>	8	8.0	4	20.6	64
20	1/4			<b>MTB06047C12 20 UN</b>	6	4.7	3	12.1	58
20		7/16		<b>MTB0808C21 20 UN</b>	8	8.0	3	21.0	64
20		1/2		<b>MTB1010D22 20 UN</b>	10	10.0	4	22.3	73
20			3/4-1	<b>MTB1212E27 20 UN</b>	12	12.0	5	27.3	84
18	5/16			<b>MTB06056C14 18 UN</b>	6	5.6	3	14.8	58
18		9/16-5/8	1 1/8-1 5/8	<b>MTB12113D26 18 UN</b>	12	11.3	4	26.1	84
16	3/8			<b>MTB08067C16 16 UN</b>	8	6.7	3	16.7	64
16		3/4		<b>MTB1212D31 16 UN</b>	12	12.0	4	31.0	84
14	7/16			<b>MTB08077C20 14 UN</b>	8	7.7	3	20.9	64
14		7/8		<b>MTB1616E37 14 UN</b>	16	16.0	5	37.2	105
13	1/2			<b>MTB10092C22 13 UN</b>	10	9.2	3	22.5	73
12	9/16			<b>MTB12105C26 12 UN</b>	12	10.5	3	26.5	84
12		1-1 1/2		<b>MTB1616E41 12 UN</b>	16	16.0	5	41.3	105
11	5/8			<b>MTB12114C28 11 UN</b>	12	11.4	3	28.9	84
10	3/4			<b>MTB16144D34 10 UN</b>	16	14.4	4	34.3	105
9	7/8			<b>MTB1616C38 9 UN</b>	16	16.0	3	38.1	105
8	1			<b>MTB20195D42 8 UN</b>	20	19.5	4	42.9	105
7	1 1/8-1 1/4			<b>MTB2020D45 7 UN</b>	20	20.0	4	45.3	105

Order example: MTB 1212D31 16 UN MT7

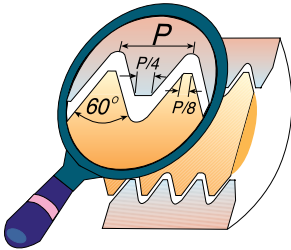
For thread mills with coolant through the flutes see next page

For small thread mills see pages 229-230, 235 & 246



## UN With internal coolant through the flutes

### Tools for Internal Thread



Pitch TPI	UNC	UNF	UNEF	Ordering Code	d	D	No. of Flutes	I	L
28		1/4		<a href="#">MTZ0605C11 28 UN</a>	6	5.0	3	11.3	58
28			7/16-1/2	<a href="#">MTZ0606C14 28 UN</a>	6	6.0	3	14.1	58
24		5/16		<a href="#">MTZ08066C14 24 UN</a>	8	6.6	3	14.3	64
24		3/8	9/16-5/8	<a href="#">MTZ0808D21 24 UN</a>	8	8.0	4	20.6	64
20		7/16		<a href="#">MTZ0808C21 20 UN</a>	8	8.0	3	21.0	64
20		1/2		<a href="#">MTZ1010D22 20 UN</a>	10	10.0	4	22.3	73
20			3/4-1	<a href="#">MTZ1212E27 20 UN</a>	12	12.0	5	27.3	84
18	5/16			<a href="#">MTZ06056C14 18 UN</a>	6	5.6	3	14.8	58
18		9/16-5/8	1 <sup>1/8</sup> -1 <sup>5/8</sup>	<a href="#">MTZ12113D26 18 UN</a>	12	11.3	4	26.1	84
16	3/8			<a href="#">MTZ08067C16 16 UN</a>	8	6.7	3	16.7	64
16		3/4		<a href="#">MTZ1212D31 16 UN</a>	12	12.0	4	31.0	84
14	7/16			<a href="#">MTZ08077C20 14 UN</a>	8	7.7	3	20.9	64
14		7/8		<a href="#">MTZ1616E37 14 UN</a>	16	16.0	5	37.2	101
13	1/2			<a href="#">MTZ10092C22 13 UN</a>	10	9.2	3	22.5	73
12	9/16			<a href="#">MTZ12105C26 12 UN</a>	12	10.5	3	26.5	84
11	5/8			<a href="#">MTZ12114C28 11 UN</a>	12	11.4	3	28.9	84
10	3/4			<a href="#">MTZ16144D34 10 UN</a>	16	14.4	4	34.3	101

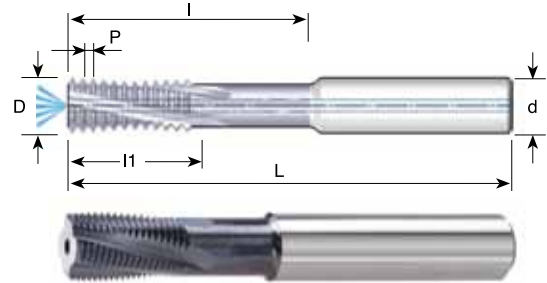
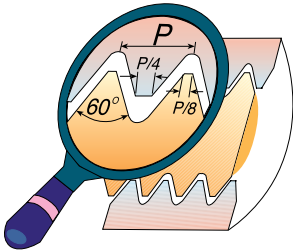
Order example: [MTZ 0808D21 24 UN MT7](#)

For small thread mills see pages 229-230, 235 & 246



## UN With relieved neck and internal coolant bore

### Tools for Internal Thread



Pitch TPI	Thread size	Ordering Code	d	D	No. of Flutes	l1	l	L
20	$\varnothing \geq 12$	<b>MTQ1010D30 20 UN</b>	10	10.0	4	17.8	30.5	73
20	$\varnothing \geq 14$	<b>MTQ1212E35 20 UN</b>	12	12.0	5	20.3	35.6	84
20	$\varnothing \geq 18$	<b>MTQ1616F43 20 UN</b>	16	16.0	6	25.4	43.2	105
18	$\varnothing \geq 15$	<b>MTQ1212D35 18 UN</b>	12	12.0	4	19.7	35.3	84
16	$\varnothing \geq 15$	<b>MTQ1212D35 16 UN</b>	12	12.0	4	20.7	35.0	84
16	$\varnothing \geq 19$	<b>MTQ1616E42 16 UN</b>	16	16.0	5	25.4	42.9	105
16	$\varnothing \geq 23$	<b>MTQ2020F58 16 UN</b>	20	20.0	6	36.5	58.8	105
14	$\varnothing \geq 20$	<b>MTQ1616E45 14 UN</b>	16	16.0	5	25.4	45.3	105
12	$\varnothing \geq 16$	<b>MTQ1212D42 12 UN</b>	12	12.0	4	25.4	42.3	84
12	$\varnothing \geq 24$	<b>MTQ2020E55 12 UN</b>	20	20.0	5	33.9	55.1	105

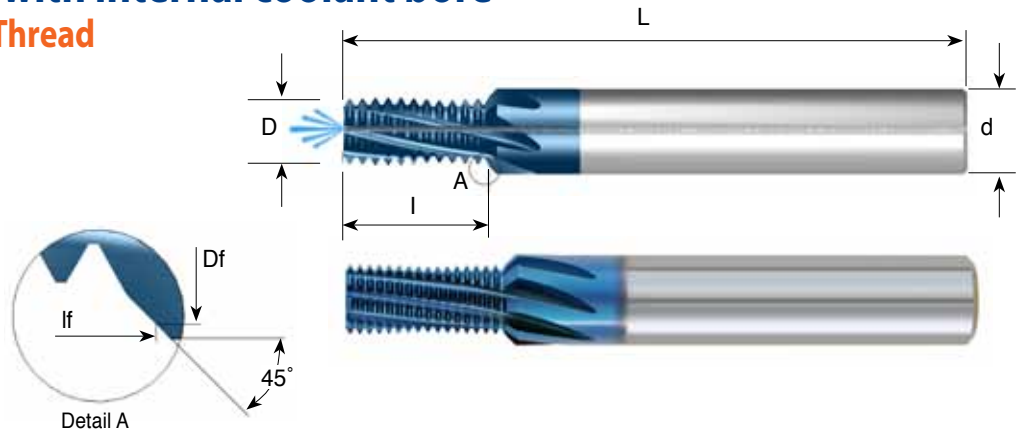
Order example: MTQ 1212D35 16 UN MT7

For small thread mills see pages 229-230, 235 & 246



## UN Fast MT with internal coolant bore

### Tools for Internal Thread



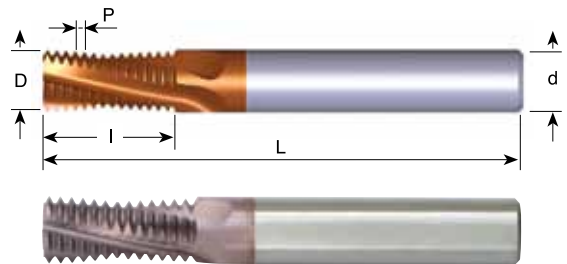
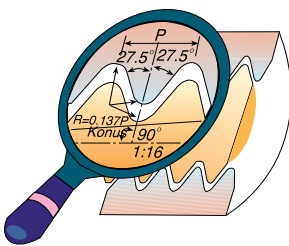
Pitch TPI	UNC	UNF	UNEF	Ordering Code	d	D	Df	Flutes	I	lf	L
24		5/16, 3/8	9/16, 5/8, 11/16	<b>FMT 10066 G14 24 UN</b>	10	6.6	9.6	7	14.3	15.8	73
20	1/4			<b>* FMT 08048 E12 20 UN</b>	8	4.8	6.8	5	12.1	13.1	64
20		7/16, 1/2	3/4, 1	<b>FMT 12092 H21 20 UN</b>	12	9.2	11.4	8	21.0	22.1	84
18	5/16	9/16, 5/8	11/16	<b>FMT 1006 F14 18 UN</b>	10	6.0	8.4	6	14.8	16.0	73
16	3/8	3/4		<b>FMT 10074 F16 16 UN</b>	10	7.4	9.6	6	16.7	17.8	73
14	7/16	7/8		<b>FMT 12085 F20 14 UN</b>	12	8.5	10.7	6	20.9	22.0	84

Order example: FMT 08048 E12 20 UN MT8

\* without internal coolant

## BSPT

### Same Tool for Internal and External Thread



Pitch TPI	Standard	Ordering Code	d	D	No. of Flutes	I	L
28	RC1/16-1/8	<b>MT0606C9 28 BSPT</b>	6	6.0	3	9.5	58
19	RC1/4-3/8	<b>MT0808C14 19 BSPT</b>	8	8.0	3	14.0	64
14	RC1/2-7/8	<b>MT1212D19 14 BSPT</b>	12	12.0	4	19.1	84
11	RC1-2	<b>MT1616D28 11 BSPT</b>	16	16.0	4	28.9	105

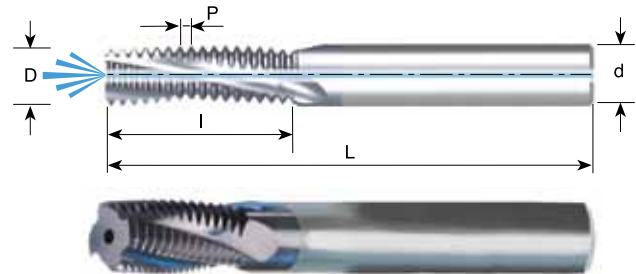
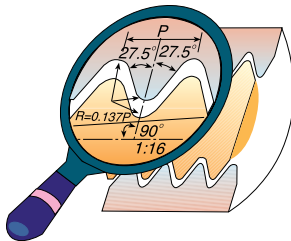
Order example: MT 1616D28 11 BSPT MT7

For thread mills with coolant through the flutes see next page

For conical preparation end mills see page 221

## BSPT With internal coolant bore

Same Tool for Internal and External Thread

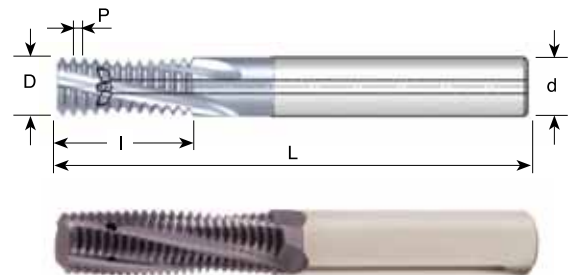
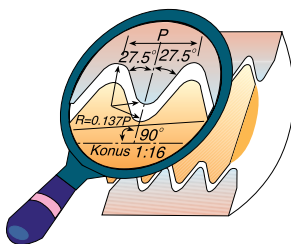


Pitch TPI	Standard	Ordering Code	d	D	No. of Flutes	I	L
28	RC1/8	<b>MTB08078C14 28 BSPT</b>	8	7.8	3	14.1	64
19	RC1/4-3/8	<b>MTB1010D16 19 BSPT</b>	10	10.0	4	16.7	73
14	RC1/2-7/8	<b>MTB1616E26 14 BSPT</b>	16	16.0	5	26.3	105
11	RC1-2	<b>MTB1616D28 11 BSPT</b>	16	16.0	4	28.9	105

Order example: MTB 08078C14 28 BSPT MT7

## BSPT With internal coolant through the flutes

Same Tool for Internal and External Thread



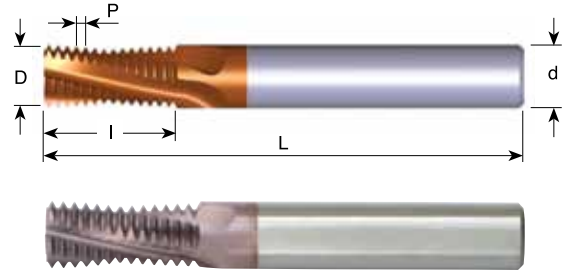
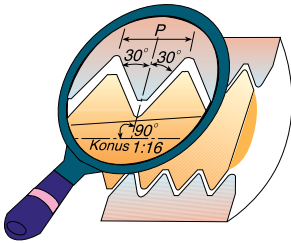
Pitch TPI	Standard	Ordering Code	d	D	No. of Flutes	I	L
28	RC1/8	<b>MTZ08078C14 28 BSPT</b>	8	7.8	3	14.1	64
19	RC1/4-3/8	<b>MTZ1010D16 19 BSPT</b>	10	10.0	4	16.7	73
14	RC1/2-7/8	<b>MTZ1616E26 14 BSPT</b>	16	16.0	5	26.3	101
11	RC1-2	<b>MTZ1616D28 11 BSPT</b>	16	16.0	4	28.9	101

Order example: MTZ 1010D16 19 BSPT MT7

For conical preparation end mills see page 221

## NPT

Same Tool for Internal and External Thread

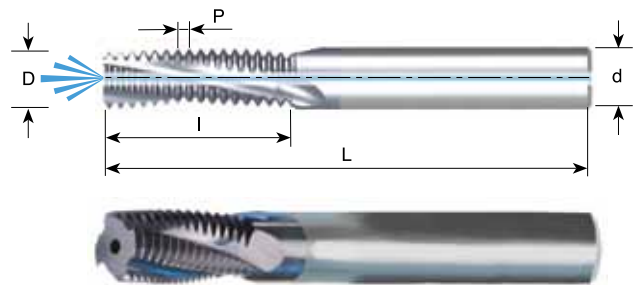


Pitch TPI	Standard	Ordering Code	d	D	No. of Flutes	I	L
27	1/16-1/8	MT0606C9 27 NPT	6	6.0	3	9.9	58
18	1/4-3/8	MT0808C14 18 NPT	8	8.0	3	14.8	64
14	1/2-3/4	MT1212D20 14 NPT	12	12.0	4	20.9	84
11.5	1-2	MT1616D27 11.5 NPT	16	16.0	4	27.6	105
8	≥2 1/2	MT2020D39 8 NPT	20	20.0	4	39.7	105

Order example: MT 0808C14 18 NPT MT7

## NPT With internal coolant

Same Tool for Internal and External Thread



Pitch TPI	Standard	Ordering Code	d	D	No. of Flutes	I	L
27	1/8	MTB08076C10 27 NPT	8	7.6	3	10.8	64
18	1/4-3/8	MTB1010D16 18 NPT	10	10.0	4	16.2	73
14	1/2-3/4	MTB16155D22 14 NPT	16	15.5	4	22.7	105
11.5	1-2	MTB2020D29 11.5 NPT	20	20.0	4	29.8	105
8	≥2 1/2	MTB2020D39 8 NPT	20	20.0	4	39.7	105

Order example: MTB 1010D16 18 NPT MT7

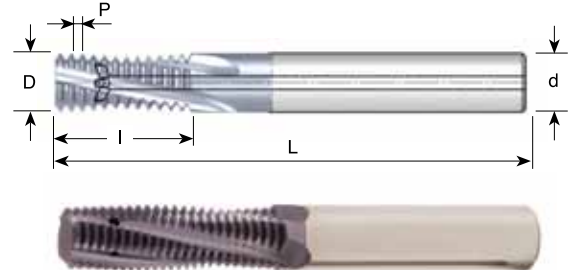
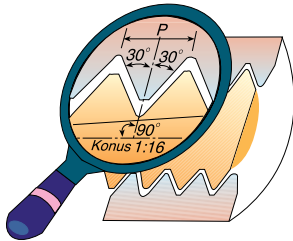
For thread mills with coolant through the flutes see next page

For conical preparation end mills see page 221



## NPT With internal coolant through the flutes

Same Tool for Internal and External Thread

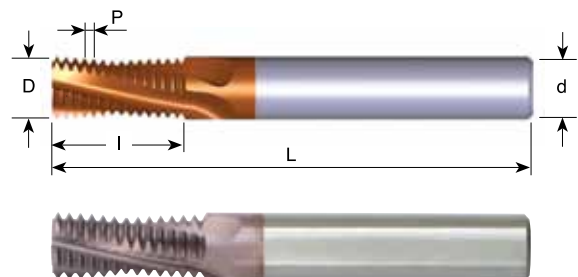
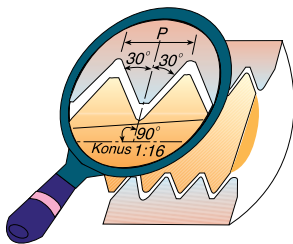


Pitch TPI	Standard	Ordering Code	d	D	No. of Flutes	I	L
27	1/8	MTZ08076C10 27NPT	8	7.6	3	10.8	64
18	1/4-3/8	MTZ1010D16 18NPT	10	10.0	4	16.2	73
14	1/2-3/4	MTZ16155D22 14NPT	16	15.5	4	22.7	101

Order example: MTZ 08076C10 27 NPT MT7

## NPTF

Same Tool for Internal and External Thread



Pitch TPI	Standard	Ordering Code	d	D	No. of Flutes	I	L
27	1/16-1/8	MT0606C9 27 NPTF	6	6.0	3	9.9	58
18	1/4-3/8	MT0808C14 18 NPTF	8	8.0	3	14.8	64
14	1/2-3/4	MT1212D20 14 NPTF	12	12.0	4	20.9	84
11.5	1-2	MT1616D27 11.5 NPTF	16	16.0	4	27.6	105
8	≥ 2 1/2	MT2020D39 8 NPTF	20	20.0	4	39.7	105

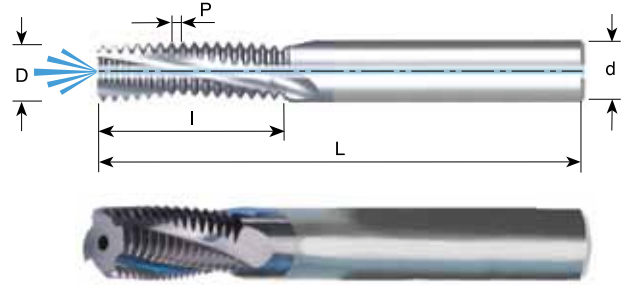
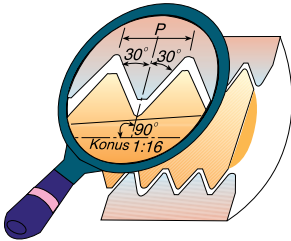
Order example: MT 1212D20 14 NPTF MT7

For thread mills with coolant bore see next page

For conical preparation end mills see page 221

## NPTF With internal coolant bore

Same Tool for Internal and External Thread

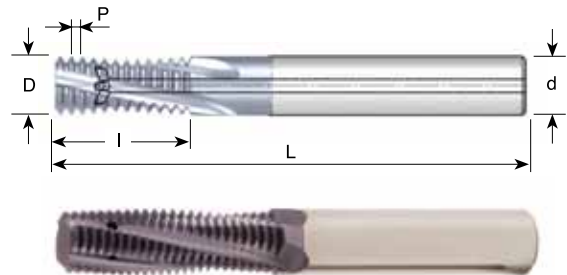
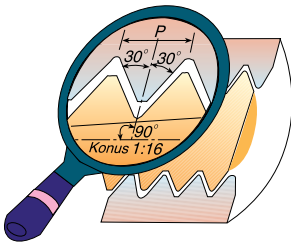


Pitch TPI	Standard	Ordering Code	d	D	No. of Flutes	I	L
27	1/8	MTB08076C10 27 NPTF	8	7.6	3	10.8	64
18	1/4-3/8	MTB1010D16 18 NPTF	10	10.0	4	16.2	73
14	1/2-3/4	MTB16155D22 14 NPTF	16	15.5	4	22.7	105
11.5	1-2	MTB2022D29 11.5 NPTF	20	20.0	4	29.8	105
8	≥ 2 1/2	MTB2020D39 8 NPTF	20	20.0	4	39.7	105

Order example: MTB 16155D22 14 NPTF MT7

## NPTF With internal coolant through the flutes

Same Tool for Internal and External Thread



Pitch TPI	Standard	Ordering Code	d	D	No. of Flutes	I	L
27	1/8	MTZ08076C10 27 NPTF	8	7.6	3	10.8	64
18	1/4-3/8	MTZ1010D16 18 NPTF	10	10.0	4	16.2	73
14	1/2-3/4	MTZ16155D22 14 NPTF	16	15.5	4	22.7	101

Order example: MTZ 1010D16 18 NPTF MT7

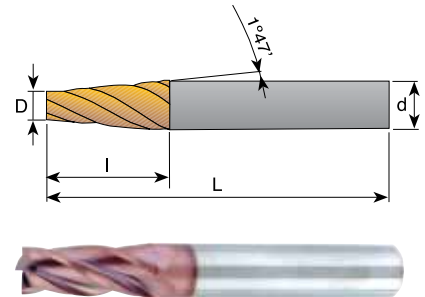
For conical preparation end mills see page 221

## Solid Carbide Tapered End Mills

Solid carbide tapered end mills are used for milling preparation of conical threads before the thread milling operation.

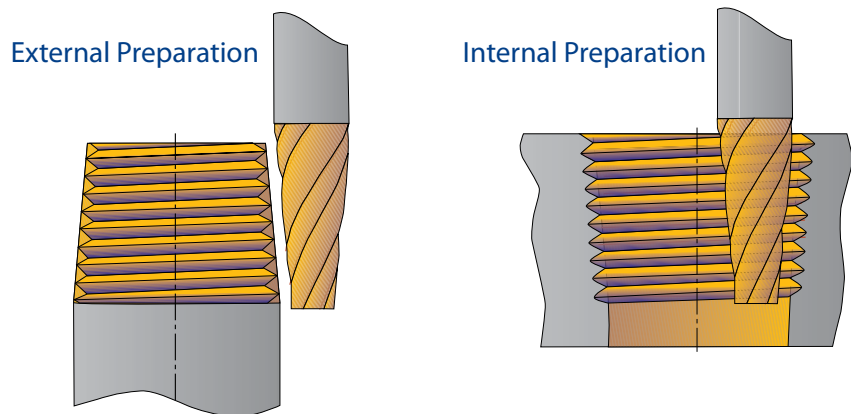
### Advantages:

- \* Increases the tool life of mill thread cutters and indexable inserts.
- \* Equal and uniform load along the cutting edge of the mill thread cutter.
- \* Shorter machining time during the mill thread operation, due to the tapered preparation.
- \* Same tool for internal and external preparation.



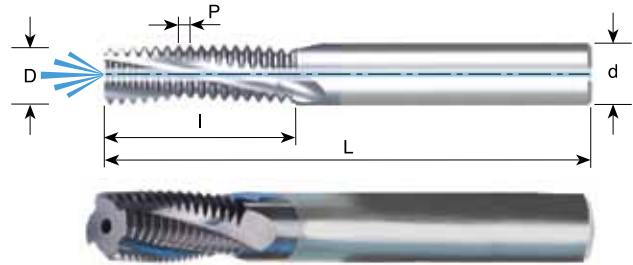
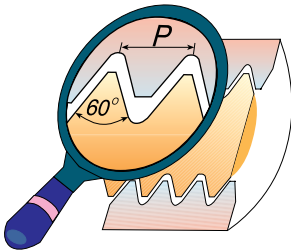
Ordering Code	d	D	l	L	No. of Flutes	Size
<b>SC0652D12</b>	6	5.2	12	58	4	NPT 1/16" - 1/8" NPTF 1/16" - 1/8" BSPT 1/16" - 1/8"
<b>SC1085D24</b>	10	8.5	24	73	4	NPT 1/8" - 1" NPTF 1/8" - 1" BSPT 1/8" - 1"
<b>SC1210D32</b>	12	10	32	84	4	NPT 1/4" - 3" NPTF 1/4" - 3" BSPT 1/4" - 3"

Order example: SC 1085D24 MT7  
Carbide grade: MT7



## NPS With internal coolant bore

Same Tool for Internal and External Thread - Inch Shank

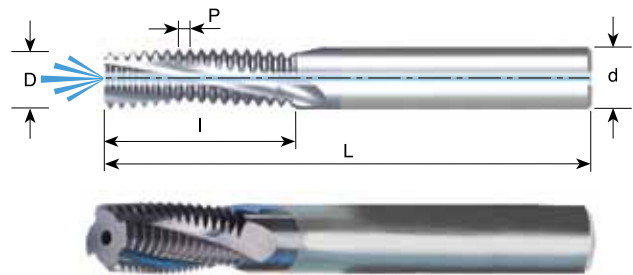
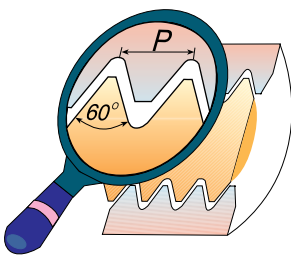


Pitch TPI	Standard	Ordering Code	d inch	D	No. of Flutes	I	L
27	1/8	<a href="#">MTB0312C04 27 NPS</a>	5/16	7.6	3	10.8	63
18	1/4-3/8	<a href="#">MTB0375D06 18 NPS</a>	3/8	9.5	4	16.2	76
14	1/2-3/4	<a href="#">MTB0625D08 14 NPS</a>	5/8	15.5	4	22.7	101
11.5	1-2	<a href="#">MTB0750D11 11.5 NPS</a>	3/4	19.0	4	29.8	101

Order example: MTB 0375D06 18 NPS MT7

## NPSF With internal coolant bore

Same Tool for Internal and External Thread - Inch Shank

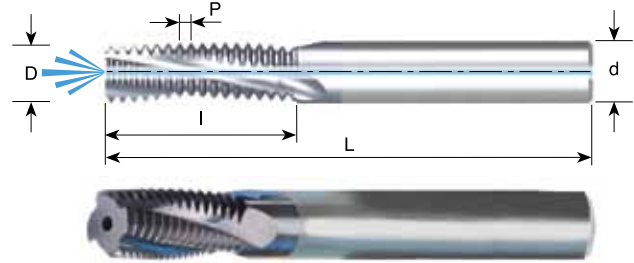
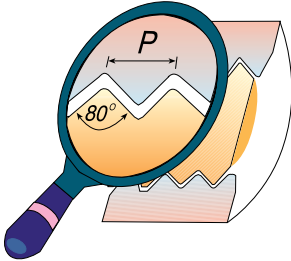


Pitch TPI	Standard	Ordering Code	d inch	D	No. of Flutes	I	L
27	1/8	<a href="#">MTB0312C04 27 NPSF</a>	5/16	7.6	3	10.8	63
18	1/4-3/8	<a href="#">MTB0375D06 18 NPSF</a>	3/8	9.5	4	16.2	76
14	1/2-3/4	<a href="#">MTB0625D08 14 NPSF</a>	5/8	15.5	4	22.7	101
11.5	1-2	<a href="#">MTB0750D11 11.5 NPSF</a>	3/4	19.0	4	29.8	101

Order example: MTB 0312C04 27 NPSF MT7

## PG DIN 40430 - With internal coolant bore

Same Tool for Internal and External Thread



Pitch TPI	Standard	Ordering Code	d	D	No. of Flutes	I	L
20	Pg 7	<b>MTB1010D19 20 PG</b>	10	10.0	4	19.7	73
18	Pg 9, 11, 13.5, 16	<b>MTB1212D20 18 PG</b>	12	12.0	4	20.5	84
16	Pg 21, 29, 36, 42, 48	<b>MTB1212D23 16 PG</b>	12	12.0	4	23.0	84

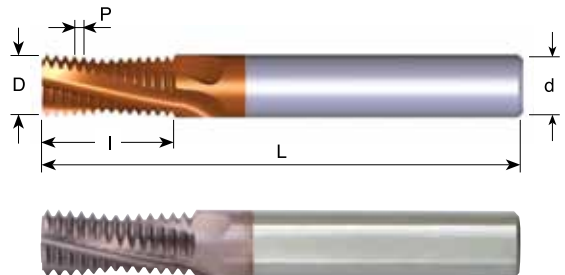
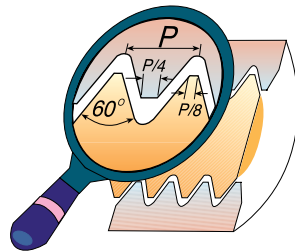
Order example: MTB 1212 D20 18 PG MT7

## Mill - Thread Solid Carbide for External Threads

### Advantages:

- \* Excellent surface finish thanks to the spiral flutes
- \* Short machining time due to multi 3 to 5 flutes

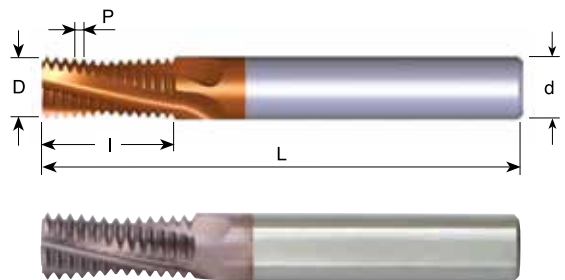
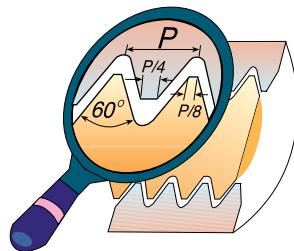
### ISO



Pitch mm	Ordering Code	d	D	No. of Flutes	I	L
1.0	<b>EMT1010D16 1.0 ISO</b>	10	10.0	4	16.5	73
1.0	<b>EMT1212E20 1.0 ISO</b>	12	12.0	5	20.5	84
1.25	<b>EMT1010D16 1.25 ISO</b>	10	10.0	4	16.9	73
1.5	<b>EMT1010D15 1.5 ISO</b>	10	10.0	4	15.8	73
1.5	<b>EMT1212D20 1.5 ISO</b>	12	12.0	4	20.3	84
1.75	<b>EMT1212D20 1.75 ISO</b>	12	12.0	4	20.1	84
2.0	<b>EMT1010C17 2.0 ISO</b>	10	10.0	3	17.0	73
2.0	<b>EMT1212D21 2.0 ISO</b>	12	12.0	4	21.0	84

Order example: EMT 1010D15 1.5 ISO MT7

### UN



Pitch TPI	Ordering Code	d	D	No. of Flutes	I	L
24	<b>EMT1010D16 24 UN</b>	10	10.0	4	16.4	73
20	<b>EMT1212E21 20 UN</b>	12	12.0	5	21.0	84
18	<b>EMT1212D20 18 UN</b>	12	12.0	4	20.5	84
16	<b>EMT1212D21 16 UN</b>	12	12.0	4	21.4	84
14	<b>EMT1212D20 14 UN</b>	12	12.0	4	20.9	84
12	<b>EMT1212D20 12 UN</b>	12	12.0	4	20.1	84

Order example: EMT 1212D20 18 UN MT7

# Mini Mill-Thread



## MTS

- Threading from ISO M1 x 0.25 and 0-80UN.
- Working in high cutting speed.
- Short machining time.
- Low cutting forces thanks to the short profile.
- No broken taps.
- Machining of hardened materials up to 45 HRc.

## Advantages

- Enables machining in deep holes.
- Same tool can produce a wide range of threads and pitches.
- Same tool can produce both External and Internal threads.

## Carbide grade: MT7

Sub-Micron grade with Titanium Aluminum Nitride multi-layer coating (ISO K10 - K20). To be run at medium to high cutting speeds. General purpose for all materials.

- Coolant through the flutes is very effective for deep holes.
- Spiral flutes allow smooth cutting action.
- Shorter machining time due to multi (3 to 5) flutes.
- Longer tool life due to special triple coating.

## MTI - For threading deep parts

**Carbide grade: MT8** Sub-micron grade with advanced PVD triple coating (ISO K10-K20). Extremely high heat resistant and smooth cutting operation, for high performance, and normal machining conditions. General purpose for all materials.

**MT11** Ultra-fine Sub-micron grade with advanced PVD triple blue coating.

### Contents:

### Page: Contents:

### Page:

Product Identification 226

#### MTS

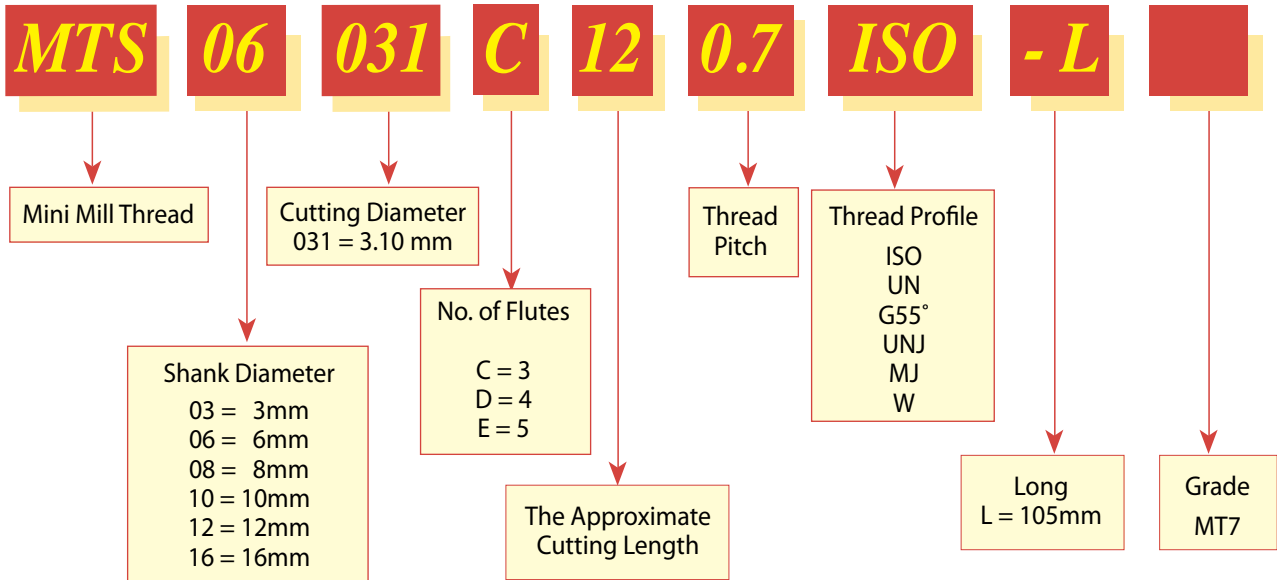
ISO 227-228  
UN 229-230  
G55° 231  
UNJ - with Internal Coolant through the flutes 232  
MJ - with Internal Coolant through the flutes 232

#### MTI

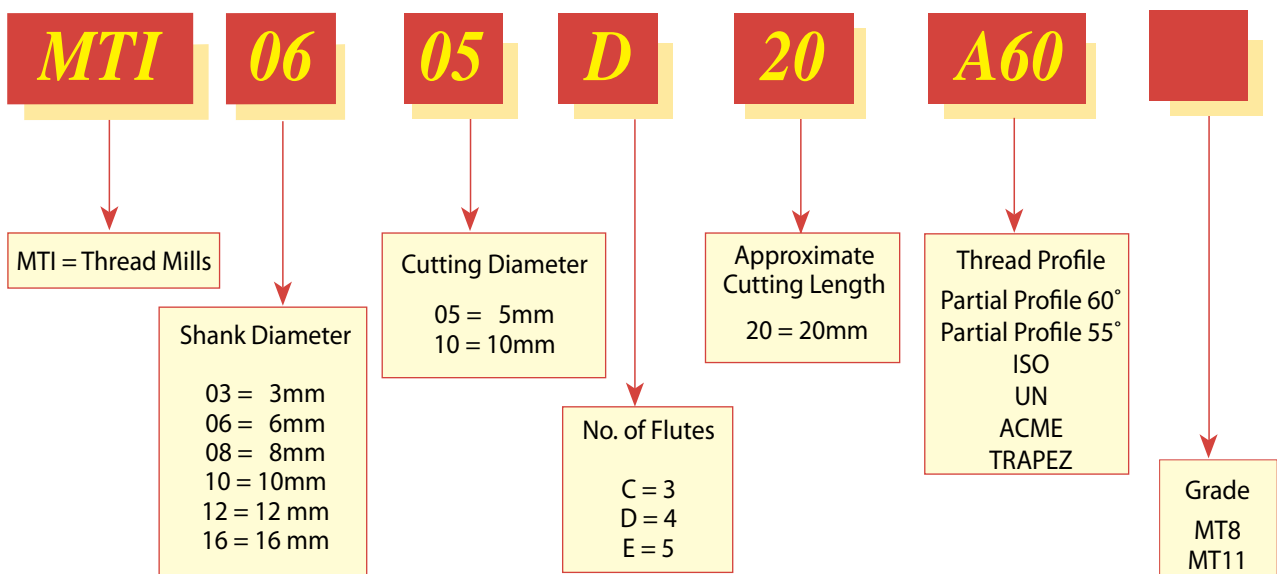
Partial Profile 60° 233  
Partial Profile 60° - with Internal Coolant through the flutes 233  
Partial Profile 55° 234  
ISO 235  
UN 235  
Trapez 236  
Acme 236

## Product Identification

### Mini Mill-Thread MTS Ordering Codes



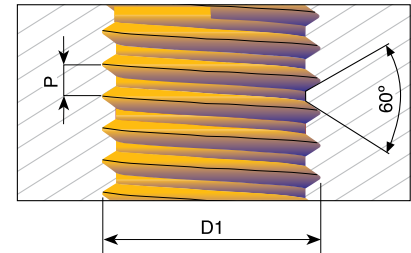
### Mini Mill-Thread MTI Ordering Codes





## ISO

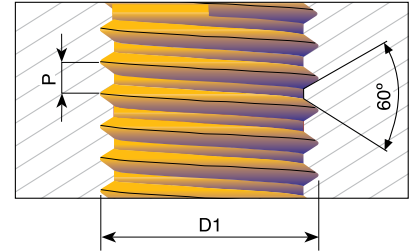
### Tools for Internal Thread



Pitch mm	D1	Ordering Code	d	D	No. of Flutes	I	L	Thread depth
0.25	M1	<a href="#">MTS03007C2</a> 0.25 ISO	3	0.72	3	2.5	39	2.5xD1
0.25	M1.2	<a href="#">MTS03009C3</a> 0.25 ISO	3	0.90	3	3.0	39	2xD1
0.3	M1.4	<a href="#">MTS03011C4</a> 0.3 ISO	3	1.05	3	4.0	39	3xD1
0.35	M1.6	<a href="#">MTS03012C5</a> 0.35 ISO	3	1.20	3	4.8	39	3xD1
	M1.6	<a href="#">MTS06012C5</a> 0.35 ISO-L	6	1.20	3	4.8	105	3xD1
0.35	M5	<a href="#">MTS06045D14</a> 0.35 ISO	6	4.50	4	14.5	48	3xD1
0.4	M2	<a href="#">MTS06016C4</a> 0.4 ISO	6	1.53	3	4.5	58	2xD1
	M2	<a href="#">MTS06016C4</a> 0.4 ISO-L	6	1.53	3	4.5	105	2xD1
	M2	<a href="#">MTS03016C6</a> 0.4 ISO	3	1.53	3	6.0	39	3xD1
	M2	<a href="#">MTS03016C10</a> 0.4 ISO	3	1.53	3	10.4	39	5xD1
0.45	M2.2	<a href="#">MTS06017C5</a> 0.45 ISO	6	1.65	3	5.0	58	2xD1
	M2.2	<a href="#">MTS03017C7</a> 0.45 ISO	3	1.65	3	7.0	39	3xD1
0.45	M2.5	<a href="#">MTS0602C5</a> 0.45 ISO	6	1.95	3	5.5	58	2xD1
	M2.5	<a href="#">MTS0602C5</a> 0.45 ISO-L	6	1.95	3	5.5	105	2xD1
	M2.5	<a href="#">MTS0602C7</a> 0.45 ISO	6	1.95	3	7.5	58	3xD1
	M2.5	<a href="#">MTS0602C8</a> 0.45 ISO-L	6	1.95	3	8.0	105	3xD1
	M2.5	<a href="#">MTS0302C10</a> 0.45 ISO	3	1.95	3	10.5	39	4xD1
0.5	M3	<a href="#">MTS06024C6</a> 0.5 ISO	6	2.37	3	6.5	58	2xD1
	M3	<a href="#">MTS06024C6</a> 0.5 ISO-L	6	2.37	3	6.5	105	2xD1
	M3	<a href="#">MTS06024C9</a> 0.5 ISO	6	2.37	3	9.5	58	3xD1
	M3	<a href="#">MTS06024C9</a> 0.5 ISO-L	6	2.37	3	9.5	105	3xD1
	M3	<a href="#">MTS03024C12</a> 0.5 ISO	3	2.40	3	12.5	39	4xD1
	M3	<a href="#">MTS03024C15</a> 0.5 ISO	3	2.40	3	15.5	39	5xD1
0.5	M6, M7	<a href="#">MTS06054D20</a> 0.5 ISO	6	5.35	4	20.0	58	3xD1
0.6	M3.5	<a href="#">MTS06028C7</a> 0.6 ISO	6	2.75	3	7.5	58	2xD1
	M3.5	<a href="#">MTS06028C10</a> 0.6 ISO	6	2.75	3	10.5	58	3xD1
0.7	M4	<a href="#">MTS06031C9</a> 0.7 ISO	6	3.10	3	9.0	58	2xD1
	M4	<a href="#">MTS06031C12</a> 0.7 ISO	6	3.10	3	12.5	58	3xD1
	M4	<a href="#">MTS06031C12</a> 0.7 ISO-L	6	3.10	3	12.5	105	3xD1
	M4	<a href="#">MTS06031C16</a> 0.7 ISO	6	3.10	3	16.7	58	4xD1
0.75	M10	<a href="#">MTS0808D25</a> 0.75 ISO	8	8.00	4	25.0	64	2.5xD1
0.8	M5	<a href="#">MTS06038C12</a> 0.8 ISO	6	3.80	3	12.5	58	2xD1
	M5	<a href="#">MTS06038C16</a> 0.8 ISO	6	3.80	3	16.0	58	3xD1
	M5	<a href="#">MTS06038C16</a> 0.8 ISO-L	6	3.80	3	16.0	105	3xD1
	M5	<a href="#">MTS0604C20</a> 0.8 ISO	6	4.00	3	20.8	58	4xD1

## ISO

### Tools for Internal Thread



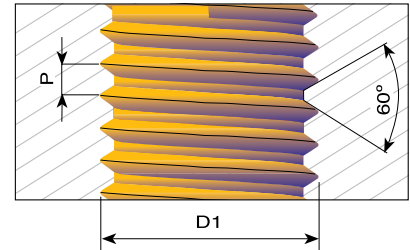
Pitch mm	D1	Ordering Code	d	D	No. of Flutes	I	L	Thread depth
1.0	M6	<a href="#">MTS06047C14 1.0 ISO</a>	6	4.65	3	14.0	58	2xD1
	M6	<a href="#">MTS06047C20 1.0 ISO</a>	6	4.65	3	20.0	58	3xD1
	M6	<a href="#">MTS06047C20 1.0 ISO-L</a>	6	4.65	3	20.0	105	3xD1
	M6	<a href="#">MTS06048C25 1.0 ISO</a>	6	4.80	3	25.0	58	4xD1
1.0	M10	<a href="#">MTS0808D31 1.0 ISO</a>	8	8.00	4	31.0	64	3xD1
1.25	M8	<a href="#">MTS0606C18 1.25 ISO</a>	6	6.0	3	18.0	58	2xD1
	M8	<a href="#">MTS0606C24 1.25 ISO</a>	6	6.0	3	24.0	58	3xD1
	M8	<a href="#">MTS0606C24 1.25 ISO-L</a>	6	6.0	3	24.0	105	3xD1
1.5	M10	<a href="#">MTS08078C23 1.5 ISO</a>	8	7.80	3	23.0	64	2xD1
	M10	<a href="#">MTS08078C31 1.5 ISO</a>	8	7.80	3	31.5	64	3xD1
	M10	<a href="#">MTS08078C31 1.5 ISO-L</a>	8	7.80	3	31.5	105	3xD1
1.75	M12	<a href="#">MTS1009C26 1.75 ISO</a>	10	9.00	3	26.0	73	2xD1
	M12	<a href="#">MTS1009C37 1.75 ISO</a>	10	9.00	3	37.8	73	3xD1
2.0	M16	<a href="#">MTS12118D35 2.0 ISO</a>	12	11.80	4	35.0	84	2xD1
	M16	<a href="#">MTS12118D50 2.0 ISO</a>	12	11.80	4	50.0	105	3xD1
2.5	M20	<a href="#">MTS1615E43 2.5 ISO</a>	16	15.00	5	43.0	105	2xD1

- Machining Titanium, surgical stainless steels and hardened materials up to 45 HRC.
- Suitable for high speed air turbine machines (30,000-40,000 RPM) and for standard machining centers (6,000 RPM and higher).
- Can also be used for general purpose threading.

Order example: [MTS 03024C12 0.5 ISO MT7](#)

## UN

### Tools for Internal Thread

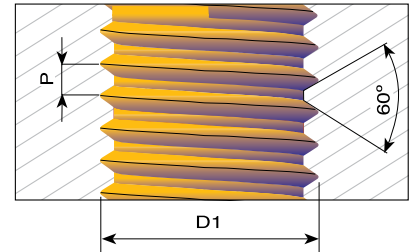


Pitch TPI	UNC	UNF	Ordering Code	d	D	No. of Flutes	l	L	Thread depth
80		0	MTS06012C4 80 UN	6	1.15	3	4.0	58	3xD1
		0	MTS03012C8 80 UN	3	1.15	3	8.0	39	5xD1
72		1	MTS06014C3 72 UN	6	1.45	3	3.7	58	2xD1
		1	MTS03015C6 72 UN	3	1.45	3	6.0	39	3xD1
64	1	2	MTS06014C3 64 UN	6	1.40	3	3.8	58	2xD1
56	2	3	MTS03016C4 56 UN	3	1.65	3	4.4	39	2xD1
	2	3	MTS06016C4 56 UN	6	1.65	3	4.4	58	2xD1
	2	3	MTS03016C6 56 UN	3	1.65	3	6.6	39	3xD1
	2	3	MTS06016C6 56 UN	6	1.65	3	6.6	58	3xD1
	2	3	MTS06016C6 56 UN-L	6	1.65	3	6.6	105	3xD1
	2	3	MTS03016C9 56 UN	3	1.65	3	9.2	39	4xD1
	2	3	MTS03016C11 56 UN	3	1.65	3	11.4	39	5xD1
48	3	4	MTS06019C5 48 UN	6	1.90	3	5.2	58	2xD1
40	4		MTS06021C6 40 UN	6	2.10	3	6.3	58	2xD1
	4		MTS06021C6 40 UN-L	6	2.10	3	6.3	105	2xD1
	4		MTS03021C8 40 UN	3	2.10	3	8.0	39	3xD1
	4		MTS06021C8 40 UN	6	2.10	3	8.0	58	3xD1
	4		MTS06021C8 40 UN-L	6	2.10	3	8.0	105	3xD1
40	5	6	MTS06024C7 40 UN	6	2.45	3	7.0	58	2xD1
	5	6	MTS06024C9 40 UN	6	2.45	3	9.6	58	3xD1
36		8	MTS06033C9 36 UN	6	3.30	3	9.0	58	2xD1
32	6		MTS06025C7 32 UN	6	2.55	3	7.1	58	2xD1
	6		MTS06025C7 32 UN-L	6	2.55	3	7.1	105	2xD1
	6		MTS03025C10 32 UN	3	2.55	3	10.5	39	3xD1
	6		MTS06025C10 32 UN	6	2.55	3	10.5	58	3xD1
	6		MTS06025C10 32 UN-L	6	2.55	3	10.5	105	3xD1
	6		MTS03025C14 32 UN	3	2.55	3	14.8	39	4xD1
32	8		MTS06032C9 32 UN	6	3.20	3	9.5	58	2xD1
	8		MTS06032C9 32 UN-L	6	3.20	3	9.5	105	2xD1
	8		MTS06032C12 32 UN	6	3.20	3	12.5	58	3xD1
	8		MTS06032C12 32 UN-L	6	3.20	3	12.5	105	3xD1
	8		MTS06032C17 32 UN	6	3.20	3	17.5	58	4xD1
32		10	MTS06037C10 32 UN	6	3.70	3	10.5	58	2xD1
		10	MTS06037C15 32 UN	6	3.70	3	15.0	58	3xD1
		10	MTS06037C15 32 UN-L	6	3.70	3	15.0	105	3xD1
		10	MTS06037C20 32 UN	6	3.70	3	20.0	58	4xD1

Order example: MTS 06021C6 40 UN MT7

## UN

### Tools for Internal Thread



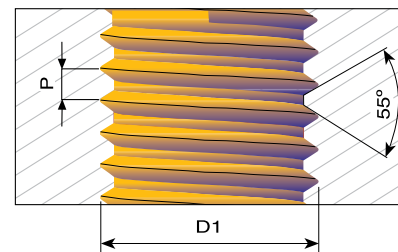
Pitch TPI	UNC	UNF	Ordering Code	d	D	No. of Flutes	l	L	Thread depth
28		12	<a href="#">MTS06042C11 28 UN</a>	6	4.20	3	11.0	58	2xD1
		1/4	<a href="#">MTS0605C14 28 UN</a>	6	5.00	3	14.5	58	2xD1
		1/4	<a href="#">MTS0605C19 28 UN</a>	6	5.00	3	19.0	58	3xD1
		1/4	<a href="#">MTS0605C19 28 UN-L</a>	6	5.00	3	19.0	105	3xD1
24	10, 12		<a href="#">MTS06035C10 24 UN</a>	6	3.50	3	10.6	58	2xD1
	10, 12		<a href="#">MTS06035C15 24 UN</a>	6	3.50	3	15.5	58	3xD1
24		5/16, 3/8	<a href="#">MTS08066C17 24 UN</a>	8	6.60	3	17.0	64	2xD1
		5/16, 3/8	<a href="#">MTS08066C24 24 UN</a>	8	6.60	3	24.0	64	3xD1
20			<a href="#">MTS06047C14 20 UN</a>	6	4.75	3	14.0	58	2xD1
			<a href="#">MTS06047C14 20 UN-L</a>	6	4.75	3	14.0	105	2xD1
			<a href="#">MTS06047C19 20 UN</a>	6	4.75	3	19.0	58	3xD1
			<a href="#">MTS06047C19 20 UN-L</a>	6	4.75	3	19.0	105	3xD1
20		7/16	<a href="#">MTS0808C25 20 UN</a>	8	8.00	3	25.0	64	2xD1
		7/16	<a href="#">MTS0808C34 20 UN</a>	8	8.00	3	34.6	64	3xD1
18	5/16		<a href="#">MTS0606C17 18 UN</a>	6	6.00	3	17.0	58	2xD1
	5/16		<a href="#">MTS0606C23 18 UN</a>	6	6.00	3	23.0	58	3xD1
18		5/8	<a href="#">MTS1212D35 18 UN</a>	12	12.00	4	35.0	84	2xD1
		5/8	<a href="#">MTS1212D49 18 UN</a>	12	12.00	4	49.0	105	3xD1
16	3/8		<a href="#">MTS08067C22 16 UN</a>	8	6.70	3	22.0	64	2xD1
	3/8		<a href="#">MTS08067C30 16 UN</a>	8	6.70	3	30.2	64	3xD1
14	7/16		<a href="#">MTS08077C25 14 UN</a>	8	7.70	3	25.0	64	2xD1
	7/16		<a href="#">MTS08077C35 14 UN</a>	8	7.70	3	35.2	64	3xD1
13	1/2		<a href="#">MTS10092C27 13 UN</a>	10	9.20	3	27.5	73	2xD1
	1/2		<a href="#">MTS10092C40 13 UN</a>	10	9.20	3	40.1	73	3xD1
12	9/16		<a href="#">MTS12105C31 12 UN</a>	12	10.50	3	31.5	84	2xD1
	9/16		<a href="#">MTS12105C45 12 UN</a>	12	10.50	3	45.0	105	3xD1
11	5/8		<a href="#">MTS12114C34 11 UN</a>	12	11.40	3	34.5	84	2xD1
	5/8		<a href="#">MTS12114C50 11 UN</a>	12	11.40	3	50.0	105	3xD1
10	3/4		<a href="#">MTS16144D41 10 UN</a>	16	14.40	4	41.5	105	2xD1
	3/4		<a href="#">MTS16144D59 10 UN</a>	16	14.40	4	59.7	105	3xD1

Order example: [MTS 0605C19 28 UN MT7](#)

- Machining Titanium, surgical stainless steels and hardened materials up to 45 HRc.
- Suitable for high speed air turbine machines (30,000-40,000 RPM) and for standard machining centers (6,000 RPM and higher).
- Can also be used for general purpose threading.

## G 55° BSW, BSP

Same Tool for Internal and External Thread



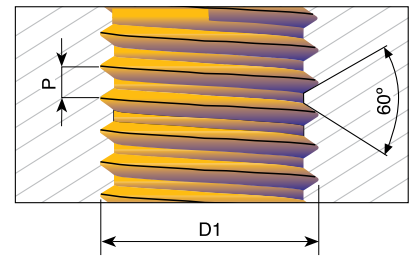
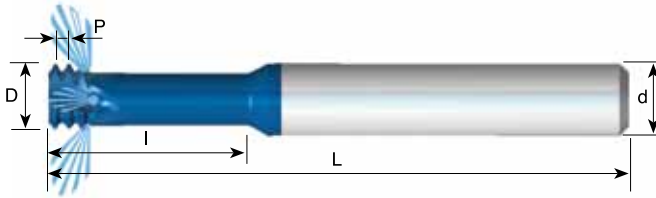
For thread depth up to 2 x D1

Pitch TPI	Standard	Ordering Code	d	D	No. of Flutes	I	L	Thread depth
28	G 1/8	<b>MTS08078C19 28 W</b>	8	7.8	3	19.5	64	2xD1
19	G 1/4 - 3/8	<b>MTS1010D30 19 W</b>	10	10.0	4	30.0	73	2xD1
14	G 1/2 - 7/8	<b>MTS1212D37 14 W</b>	12	12.0	4	37.0	84	2xD1
11	G ≥ 1	<b>MTS1616D44 11 W</b>	16	16.0	4	44.0	105	2xD1

Order example: MTS 1212D37 14 W MT7

## UNJ With internal coolant through the flutes

### Tools for Internal Thread



### For thread depth up to 2.5 x D1

Pitch TPI	UNJC	UNJF	Ordering Code	d	D	No. of Flutes	I	L
* 32	8	10	MTS06033C10 32 UNJ	6	3.30	3	10.5	58
28		1/4	MTS08051C16 28 UNJ	8	5.10	3	16.0	64
24		5/16, 3/8	MTS08067C20 24 UNJ	8	6.70	3	20.0	64
* 20	1/4		MTS06049C16 20 UNJ	6	4.90	3	16.0	58
20		7/16	MTS0808C28 20 UNJ	8	8.00	3	28.0	64
18	5/16	9/16	MTS08061C20 18 UNJ	8	6.15	3	20.0	64
16	3/8		MTS08069C24 16 UNJ	8	6.90	3	24.0	64
14	7/16		MTS08079C25 14 UNJ	8	7.90	3	25.0	64
13	1/2		MTS10094C27 13 UNJ	10	9.40	3	27.5	73

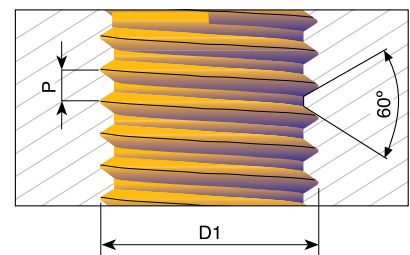
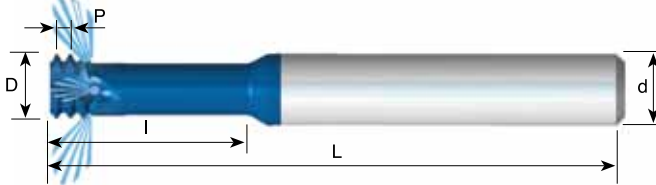
\* Cutters without coolant

Order example: MTS 06049C16 20 UNJ MT8

**Carbide grade MT8** Sub Micron grade with advanced PVD triple coating (ISO K 10-K20). Extremely high heat resistant and smooth cutting operation, for high performance, and normal machining conditions. General purpose for all materials

## MJ With internal coolant through the flutes

### Tools for Internal Thread



### For thread depth up to 2.5 x D1

Pitch TPI	D1	Ordering Code	d	D	No. of Flutes	I	L
* 0.7	MJ4	MTS06032C10 0.7 MJ	6	3.20	3	10.0	58
* 0.8	MJ5	MTS06039C12 0.8 MJ	6	3.90	3	12.5	58
* 1.0	MJ6	MTS06048C15 1.0 MJ	6	4.80	3	15.0	58
1.25	MJ8	MTS08061C20 1.25 MJ	8	6.10	3	20.0	64
1.5	MJ10	MTS0808C25 1.5 MJ	8	8.00	3	25.5	64
1.75	MJ12	MTS10092C30 1.75 MJ	10	9.20	3	30.0	73
2.0	MJ14, MJ16	MTS1010C35 2.0 MJ	10	10.00	3	35.0	73

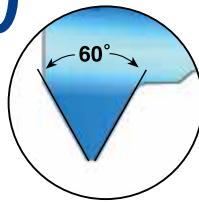
\* Cutters without coolant

Order example: MTS 06048C15 1.0 MJ MT8

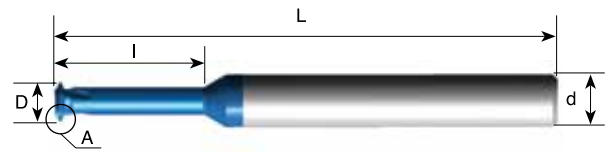
**Carbide grade MT8** Sub Micron grade with advanced PVD triple coating (ISO K 10-K20). Extremely high heat resistant and smooth cutting operation, for high performance, and normal machining conditions. General purpose for all materials

## Partial Profile 60°

Same Tool for Internal and External Thread



Detail A



Pitch mm	Pitch TPI	Ordering Code	M Coarse	M Fine	UN, UNC, UNS UNF, UNEF	d mm	D	No. of Flutes	I	L
0.25-0.35	100-72	<b>MTI03012C3 A60</b>	M1.6 x 0.35	M1.6 x 0.25 M1.8 x 0.25 M2.0 x 0.25	0-80 UNF	3	1.15	3	3.1	39
0.35-0.45	72-56	<b>MTI03014C4 A60</b>	M2 x 0.4 M2.2 x 0.45	M2 x 0.35 M2.2 x 0.35	1-64 UNC, 1-72 UNF, 2-56 UNC, 2-64 UNF	3	1.40	3	3.7	39
0.35-0.6	72-40	<b>MTI03019C5 A60</b>	M2.5 x 0.45	M2.5 x 0.35 M3 x 0.35	3-84 UNC, 3-56 UNF, 4-40 UNC, 4-48 UNF	3	1.90	3	5.2	39
0.5 -0.8	48-32	<b>MTI03024C7 A60</b>	M3 x 0.5 M3.5 x 0.6	M3.5 x 0.5	5-40 UNC, 5-44 UNF, 6-32 UNC, 6-40 UNF	3	2.45	3	7.0	39
0.5 -1.0	48-24	<b>MTI06032C9 A60</b>	M4 x 0.7 M4.5 x 0.75	M4 x 0.5	8-32 UNC, 8-36 UNF, 10-24 UNC, 10-28 UNS, 10-32 UNF	6	3.20	3	9.5	58
0.5 -1.0	48-24	<b>MTI0604C12 A60</b>	M5 x 0.8 M6 x 1.0	M5 x 0.5 M5.5 x 0.5 M5 x 0.75	10-36 UNS, 10-40 UNS, 10-48 UNS, 12-24 UNC, 12-28 UNF	6	4.00	3	12.5	58

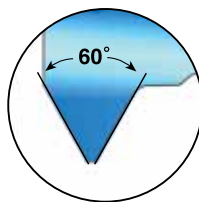
Order example: MTI 03024C7 A60 MT11

**Carbide grade: MT11** Ultra-fine Sub-micron grade with PVD triple Blue coating

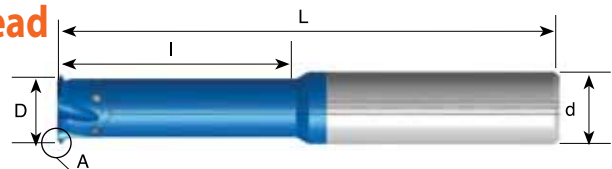
## Partial Profile 60°

With internal coolant through the flutes

Same Tool for Internal and External Thread



Detail A



For threading deep parts

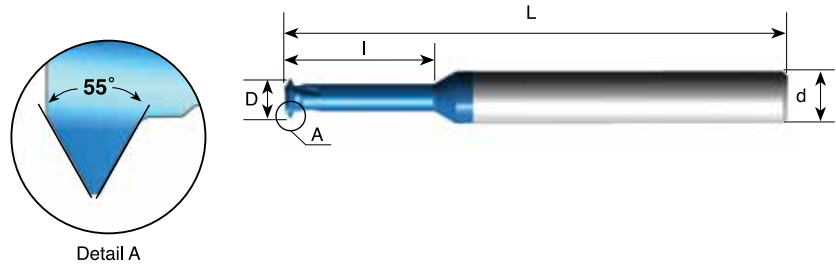
Pitch mm	Pitch TPI	Thread Dia. (mm)	Ordering Code	d	D	No. of Flutes	I	L
Int. 0.5 - 0.8 Ex. 0.4 - 0.8	56-28 64-32	$\varnothing \geq 6$	<b>MTI0605D20 A60</b>	6	5.0	4	20	58
		$\varnothing \geq 9$	<b>MTI0808D28 A60</b>	8	8.0	4	28	64
		$\varnothing \geq 13$	<b>MTI1212E38 A60</b>	12	12.0	5	38	84
Int. 1.0 - 1.75 Ex. 0.8 - 1.5	28-14 32-16	$\varnothing \geq 10$	<b>MTI0808D30 A60</b>	8	8.0	4	30	64
		$\varnothing \geq 12$	<b>MTI1010D35 A60</b>	10	10.0	4	35	73
		$\varnothing \geq 14$	<b>MTI1212E39 A60</b>	12	12.0	5	39	84
Int. 2.0 - 3.0 Ex. 1.75-2.5	13- 8 15-10	$\varnothing \geq 16$	<b>MTI1212E40 A60</b>	12	12.0	5	40	84
		$\varnothing \geq 18$	<b>MTI1614E45 A60</b>	16	14.0	5	45	101
		$\varnothing \geq 20$	<b>MTI1616E50 A60</b>	16	16.0	5	50	101

Order example: MTI 0808D28 A60 MT8

**Carbide grade: MT8** With triple Blue coating

## Partial Profile 55°

Same Tool for Internal and External Thread



Pitch TPI	Ordering Code	d	D	No. of Flutes	I	L
40-32	<b>MTI03023C7 A55</b>	3	2.25	3	7.0	39
28-20	<b>MTI06044C14 A55</b>	6	4.35	3	14.0	58
28-18	<b>MTI06059C20 A55</b>	6	5.85	3	20.5	58
20-14	<b>MTI0807C23 A55</b>	8	7.00	3	23.0	64

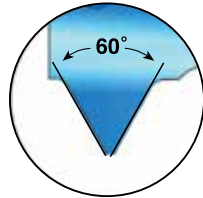
Order example: MTI 06044C14A55 MT11

**Carbide grade: MT11** Ultra-fine Sub-micron grade with PVD triple Blue coating

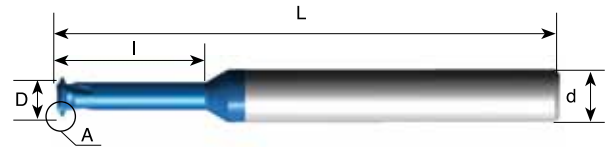


## ISO

### Tools for Internal Thread



Detail A



### For thread depth up to $3.5 \times D1$

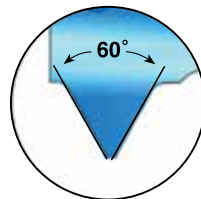
Pitch mm	M Coarse	M Fine	Ordering Code	d	D	No. of Flutes	l	L
0.25	M1 x 0.25		<b>MTI03007C3 0.25 ISO</b>	3	0.72	3	3.6	39
0.25	M1.2 x 0.25	M1.4 x 0.25 M1.6 x 0.25	<b>MTI03009C4 0.25 ISO</b>	3	0.90	3	4.3	39
0.3	M1.4 x 0.3		<b>MTI03011C5 0.3 ISO</b>	3	1.05	3	5.0	39
0.35	M1.6 x 0.35	M2 x 0.35 M2.2 x 0.35	<b>MTI03012C6 0.35 ISO</b>	3	1.20	3	5.7	39
0.4	M2 x 0.4		<b>MTI03016C7 0.4 ISO</b>	3	1.55	3	7.1	39
0.5	M3 x 0.5	M3.5 x 0.5 M4 x 0.5	<b>MTI03024C10 0.5 ISO</b>	3	2.37	3	10.6	39

Order example: MTI 03012C6 0.35 ISO MT11

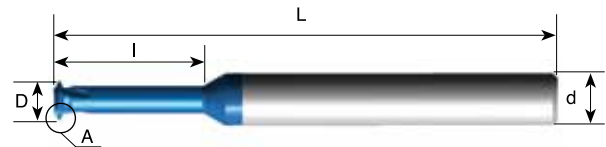
**Carbide grade: MT11** Ultra-fine Sub-micron grade with PVD triple Blue coating

## UN

### Tools for Internal Thread



Detail A



### For thread depth up to $3.5 \times D1$

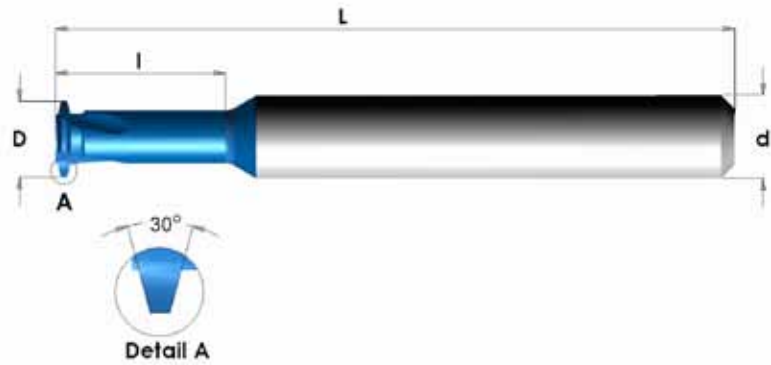
Pitch TPI	UNC	UNF	Ordering Code	d	D	No. of Flutes	l	L
80		0	<b>MTI03012C5 80 UN</b>	3	1.15	3	5.5	39
72		1	<b>MTI03015C7 72 UN</b>	3	1.45	3	6.6	39
56	2	3	<b>MTI03016C9 56 UN</b>	3	1.65	3	8.9	39
40	4		<b>MTI03021C10 40 UN</b>	3	2.10	3	10.1	39

Order example: MTI 03016C9 56 UN MT11

**Carbide grade: MT11** Ultra-fine Sub-micron grade with PVD triple Blue coating

## Trapez-DIN 103

Tools for Internal Thread



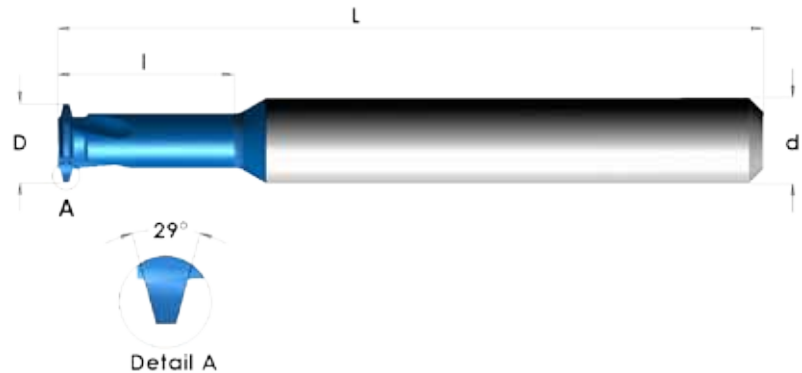
For thread depth up to 2 x D1

Pitch mm	Thread size	Ordering Code	d	D	No. of Flutes	l	L
1.5	Tr8x1.5 Tr9x1.5	<b>MTI06055C13 1.5 TR</b>	6	5.5	3	13.5	58
2	Tr10x2 Tr11x2	<b>MTI08066C21 2 TR</b>	8	6.6	3	21.0	64
2	Tr12x2 Tr14x2	<b>MTI10086D25 2 TR</b>	10	8.6	4	25.0	73
3	Tr12x3	<b>MTI0807C25 3 TR</b>	8	7.0	3	25.0	64
3	Tr14x3 Tr22x3	<b>MTI10089D29 3 TR</b>	10	8.9	4	29.0	73
4	Tr16x4 Tr18x4 Tr20x4	<b>MTI10092C33 4 TR</b>	10	9.2	3	33.0	73
5	Tr22x5 Tr24x5 Tr26x5	<b>MTI14135D45 5 TR</b>	14	13.5	4	45.0	105

Order example: MTI 08066C21 2TR MT8

## Acme

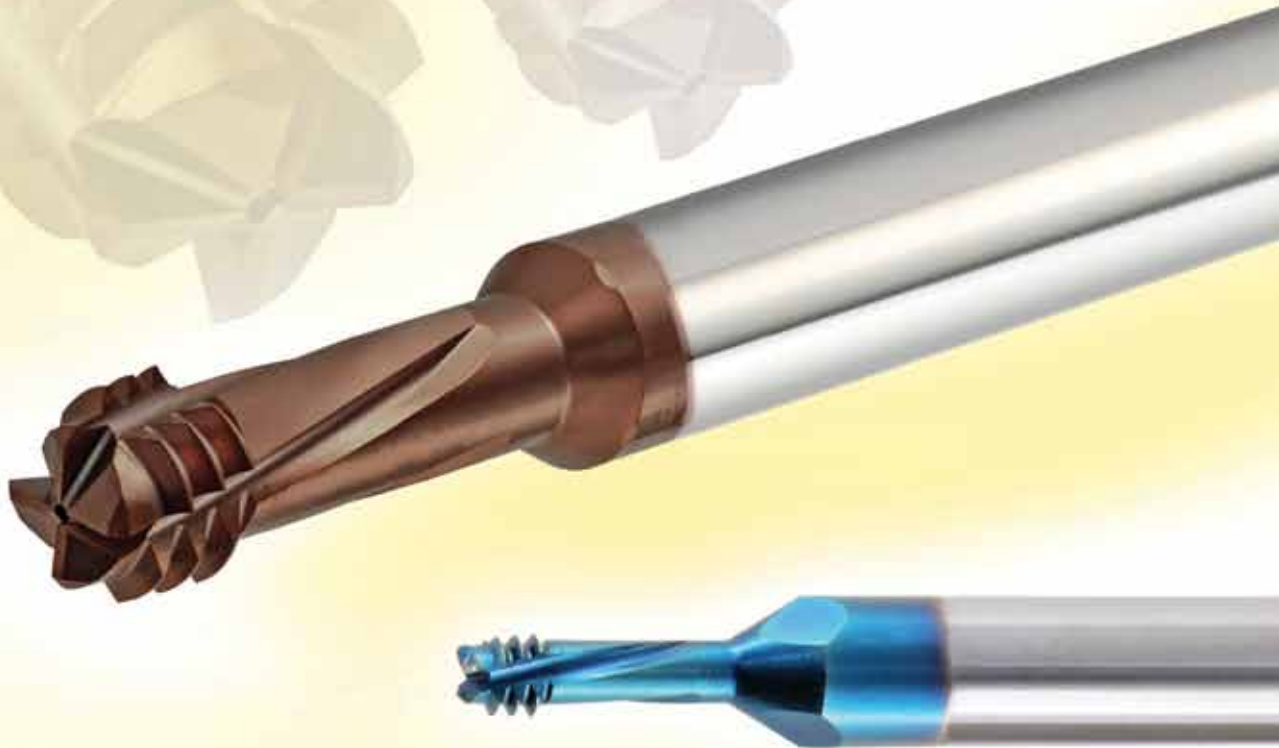
Tools for Internal Thread -  
Inch Shank



Pitch TPI	Thread size	Ordering Code	d	D	No. of Flutes	l	L
16	1/4-16	<b>MTI0250C04 16 ACME</b>	1/4	4.3	3	9.7	64
14	5/16-14	<b>MTI0250C06 14 ACME</b>	1/4	5.2	3	15.2	64
12	3/8-12 7/16-12	<b>MTI0250C08 12 ACME</b>	1/4	6.1	3	19.1	64
10	1/2-10	<b>MTI0375D10 10 ACME</b>	3/8	8.3	4	25.4	76
8	5/8-8	<b>MTI0500D11 8 ACME</b>	1/2	10.4	4	27.9	89
6	3/4-6 7/8-6	<b>MTI0500D12 6 ACME</b>	1/2	12.0	4	30.5	89
5	1-5 1 1/8-5 1 1/4-5	<b>MTI 0625E15 5 ACME</b>	5/8	15.9	5	38.1	102

Order example: MTI 0375D10 10ACME MT8

# DMT 3 in 1 - \*Drill, Thread, Chamfer



**High Performance tools with internal coolant supply for the production of internal threads.  
\*Circular movement produces the thread hole, the thread and a chamfer  
in one work process.**

**Carbide grade:** MT7 Sub-micron grade with Titanium Aluminum Nitride multi-layer coating (ISO K10-K20).  
MT11 Ultra - fine Sub-micron grade with advanced PVD triple Blue coating (for DMTH)

## Advantages of DMT

- Cancels the need for drilling the hole.
- Short cycle time and high performance reduces machining costs.
- Suitable for blind and through holes.
- Full Profile thread.
- No time lost for tool change, since drilling, chamfering and thread milling are done with one tool.
- Same tool for right-hand or left-hand threads.
- Cuts a wide range of materials.

### Contents:

Product Identification  
ISO  
UN

Page:

238  
239  
240

### Contents:

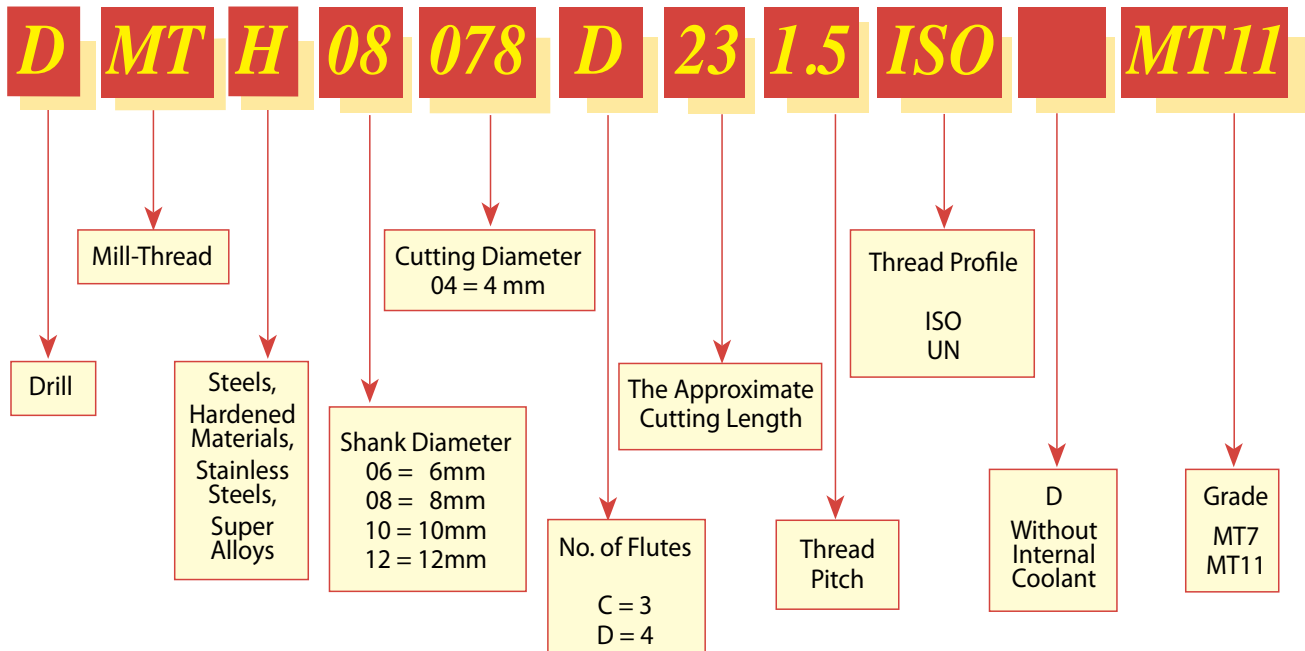
**DMTH**  
ISO  
UN

Page:

241  
241

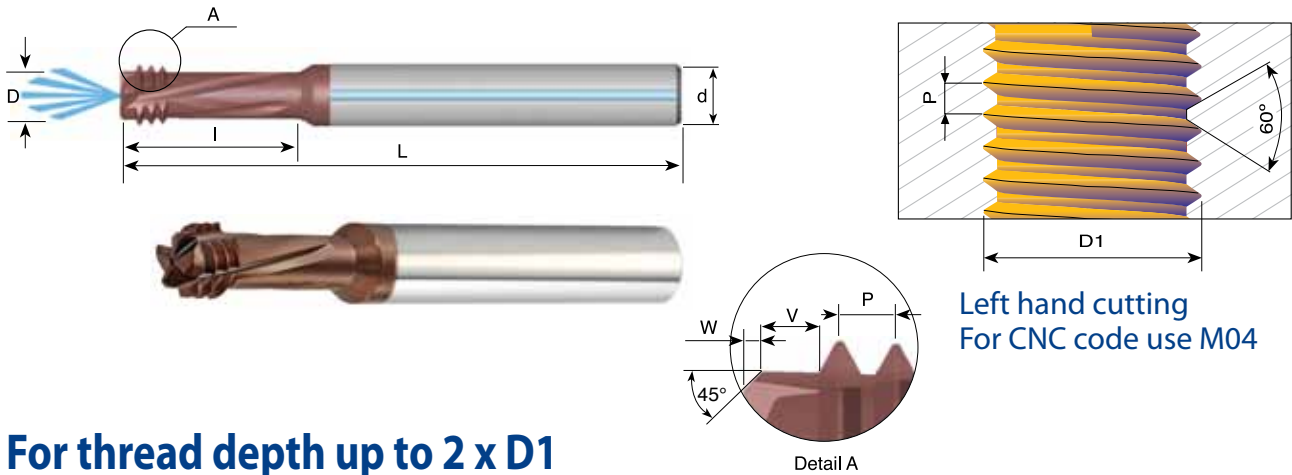
# Product Identification

## DMT 3 in 1 - \*Drill, Thread, Chamfer Ordering Codes



## ISO with internal coolant bore

### Tools for Internal Thread

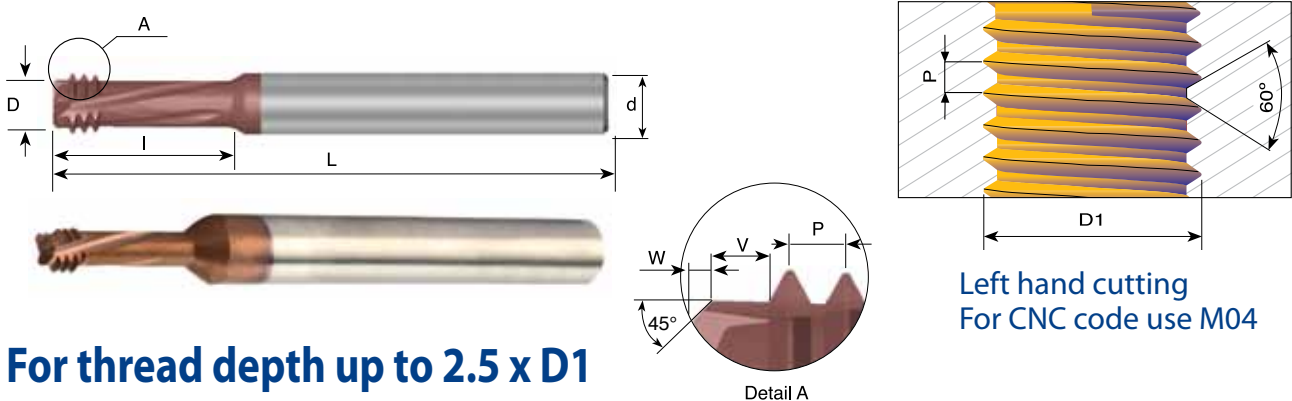


### For thread depth up to 2 x D1

Pitch mm	D1	Ordering Code	d	D	No. of Flutes	l	W	V	L
1.0	M6 - M9	<b>DMT 08047C14 1.0 ISO</b>	8	4.70	3	14.0	0.4	1.0	64
1.25	M8 - M12	<b>DMT 08061D18 1.25 ISO</b>	8	6.10	4	18.0	0.5	1.25	64
1.5	M10 - M15	<b>DMT 08078D23 1.5 ISO</b>	8	7.80	4	23.0	0.6	1.5	64
1.75	M12	<b>DMT 1009D26 1.75 ISO</b>	10	9.00	4	26.0	0.6	1.75	73
2.0	M16 - M23	<b>DMT 12118D35 2.0 ISO</b>	12	11.80	4	35.0	0.6	2.0	84

Order example: DMT 08047C14 1.0 ISO MT7

## ISO without internal coolant



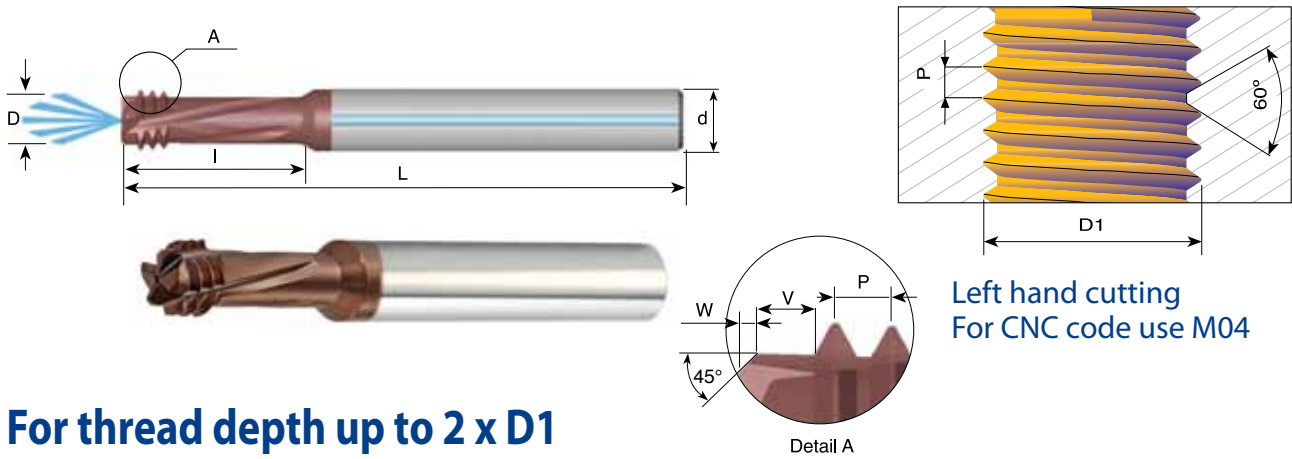
### For thread depth up to 2.5 x D1

Pitch mm	D1	Ordering Code	d	D	No. of Flutes	l	W	V	L
0.7	M4	<b>DMT 06032C11 0.7 ISO-D</b>	6	3.15	3	11.6	0.2	0.7	58
0.8	M5	<b>DMT 0604C14 0.8 ISO-D</b>	6	4.00	3	14.4	0.3	0.8	58

Order example: DMT 06032C11 0.7 ISO-D MT7

## UN with internal coolant bore

### Tools for Internal Thread

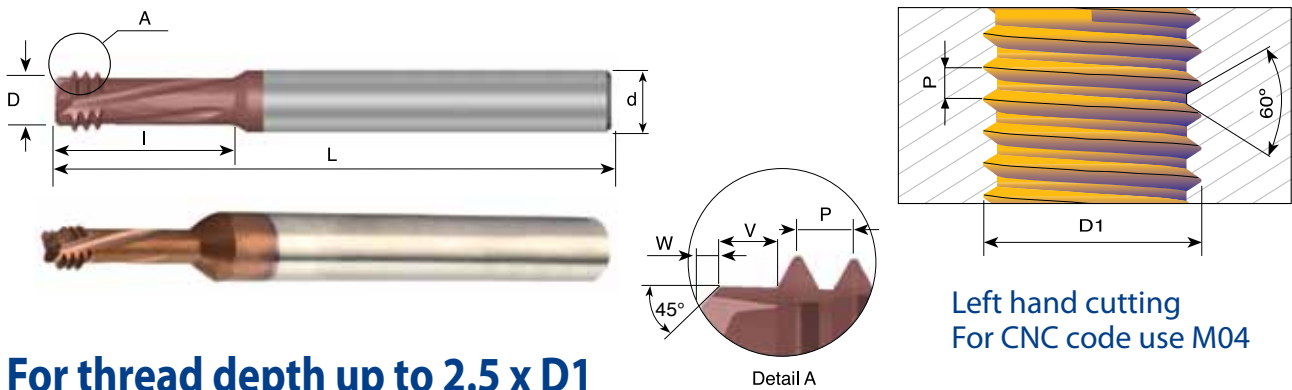


### For thread depth up to 2 x D1

Pitch TPI	UN, UNEF, UNF UNC, UNS	Ordering Code	d	D	No. of Flutes	I	W	V	L
28	1/4 - 3/8	<b>DMT 0805C14 28 UN</b>	8	5.00	3	14.5	0.4	0.9	64
24	5/16 - 1/2	<b>DMT 08065D17 24 UN</b>	8	6.50	4	17.0	0.5	1.05	64
20	1/4 - 3/8	<b>DMT 08048C14 20 UN</b>	8	4.80	3	14.0	0.4	1.25	64
18	5/16 - 7/16	<b>DMT 0806D17 18 UN</b>	8	6.00	4	17.0	0.5	1.4	64
16	3/8 - 1/2	<b>DMT 08067C22 16 UN</b>	8	6.70	3	22.0	0.5	1.6	64

Order example: DMT 08067C 22 16 UN MT7

## UN without internal coolant



### For thread depth up to 2.5 x D1

Pitch TPI	UNC	UNF	Ordering Code	d	D	No. of Flutes	I	W	V	L
36		8	<b>DMT 06033C12 36 UN-D</b>	6	3.30	3	12.0	0.2	0.7	58
32	8		<b>DMT 06032C12 32 UN-D</b>	6	3.20	3	12.3	0.3	0.8	58
32		10	<b>DMT 06038C14 32 UN-D</b>	6	3.80	3	14.0	0.3	0.8	58

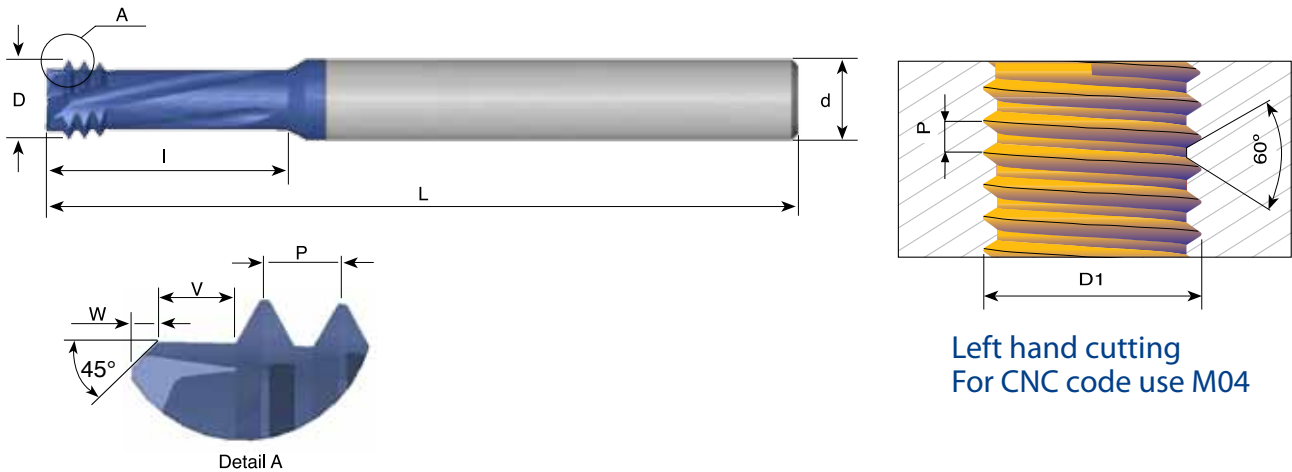
Order example: DMT 06032C12 32UN-D MT7

## DMTH

The new DMTH tools expand the range of the existing DMT line providing the ability to cut steels, hardened materials, stainless steels and super alloys.

## ISO

### Tools for Internal Thread



### For thread depth up to 2 x D1

Pitch mm	D1	Ordering Code	d	D	No. of Flutes	I	W	V	L
0.7	M4	<b>DMTH 06032 C11 0.7 ISO</b>	6	3.1	3	11.6	0.2	0.7	58
0.8	M5	<b>DMTH 0604 C14 0.8 ISO</b>	6	4.0	3	14.4	0.3	0.8	58
1.0	M6 - M9	<b>DMTH 08047 C14 1.0 ISO</b>	8	4.7	3	14.4	0.4	1.0	64
1.25	M8 - M12	<b>DMTH 08061 D19 1.25 ISO</b>	8	6.1	4	19.0	0.5	1.25	64
1.5	M10- M15	<b>DMTH 08078 D23 1.5 ISO</b>	8	7.8	4	23.6	0.6	1.5	64
1.75	M12	<b>DMTH 1009 D28 1.75 ISO</b>	10	9.0	4	28.1	0.6	1.75	73
2.0	M16- M23	<b>DMTH 12118 D36 2.0 ISO</b>	12	11.8	4	36.6	0.6	2.0	84

Order example: DMTH 1009D28 1.75 ISO MT11

## UN

### Tools for Internal Thread

### For thread depth up to 2 x D1

Pitch TPI	UN, UNEF, UNF UNC, UNS	Ordering Code	d	D	No. of Flutes	I	W	V	L
40	4	<b>DMTH 06021 C7 40 UN</b>	6	2.1	3	7.0	0.1	0.6	58
32	6	<b>DMTH 06026 C8 32 UN</b>	6	2.6	3	8.7	0.1	0.8	58
28	1/4-3/8	<b>DMTH 0805 C14 28 UN</b>	8	5.0	3	14.9	0.4	0.9	64
24	5/16-1/2	<b>DMTH 08065 D18 24 UN</b>	8	6.5	4	18.5	0.5	1.05	64
20	1/4-3/8	<b>DMTH 08048 C15 20 UN</b>	8	4.8	3	15.6	0.4	1.25	64
18	5/16-7/16	<b>DMTH 0806 D19 18 UN</b>	8	6.0	4	19.2	0.5	1.4	64
16	3/8-1/2	<b>DMTH 08067 C22 16 UN</b>	8	6.7	3	22.8	0.5	1.6	64
13	1/2	<b>DMTH 10092 C30 13 UN</b>	10	9.2	3	30.0	0.6	2.0	73
11	5/8	<b>DMTH 12114 C37 11 UN</b>	12	11.4	3	37.0	0.6	2.3	84

Order example: DMTH 08048 C15 20UN MT11







### MTSH Type

C.P.T. are pioneers in offering solid carbide thread mills designed specifically for the machining of hardened materials up to 62HRc. These tools provide high performance, improved cut and an excellent surface finish.

#### HARDCUT MTSH & MTH Types

**Carbide grade: MT9 / MT11** - Ultra fine sub-micron grade with Advanced PVD Triple Coating

### MTH Type

C.P.T. provide innovative mill thread solid carbide tools for machining:

- Hardened steels and cast iron up to 62 HRc.
- High temperature alloys.
- Titanium alloys.
- Super Alloys (Hastelloy, Inconel, Nickel Base Alloys).

- Threading from ISO M1.4 x 0.3 and 0-80UN
- Perfect solution for the Die and Mold industry
- Working at high cutting speeds
- Short machining time
- Low cutting forces thanks to the short profile

#### Advantages

- Same tool performs thread milling and chamfering - saves machining time.
- Increased cutting diameter - better rigidity and stability.
- Coating provides high wear and heat resistance.
- Ultra fine grade - dedicated for hardened materials.
- Short chips are produced, insure high process security.
- Short cycle time - increases productivity.
- Thread length up to 2xD.

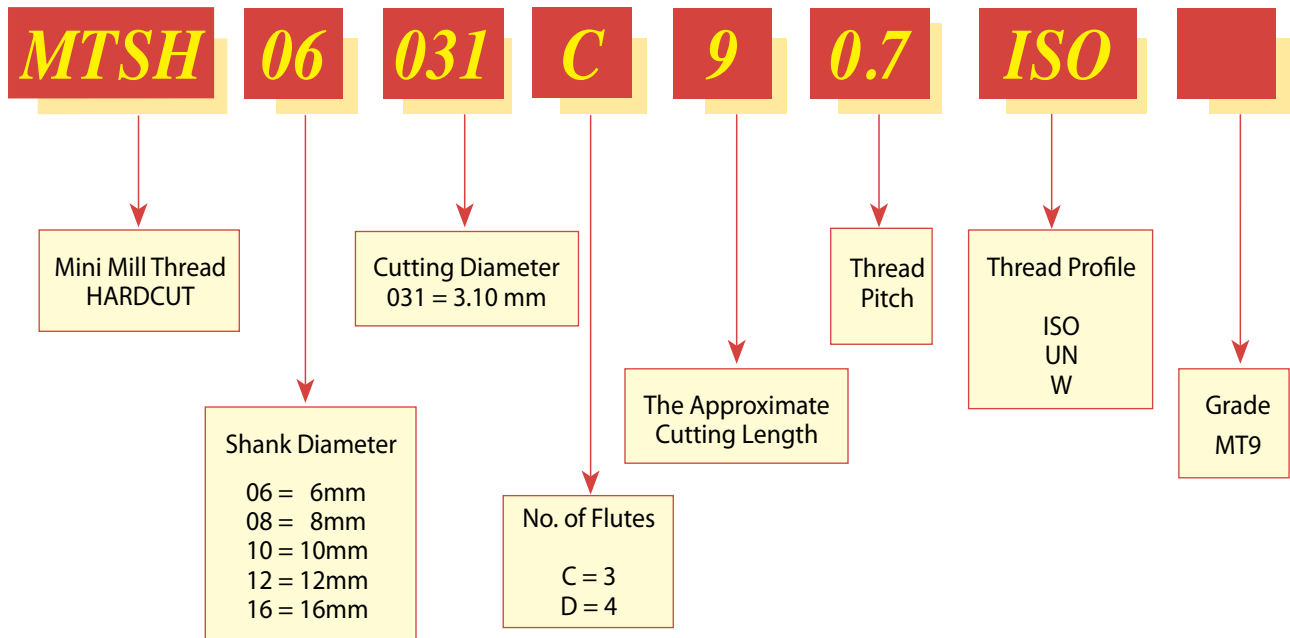
#### Contents:

#### Page:

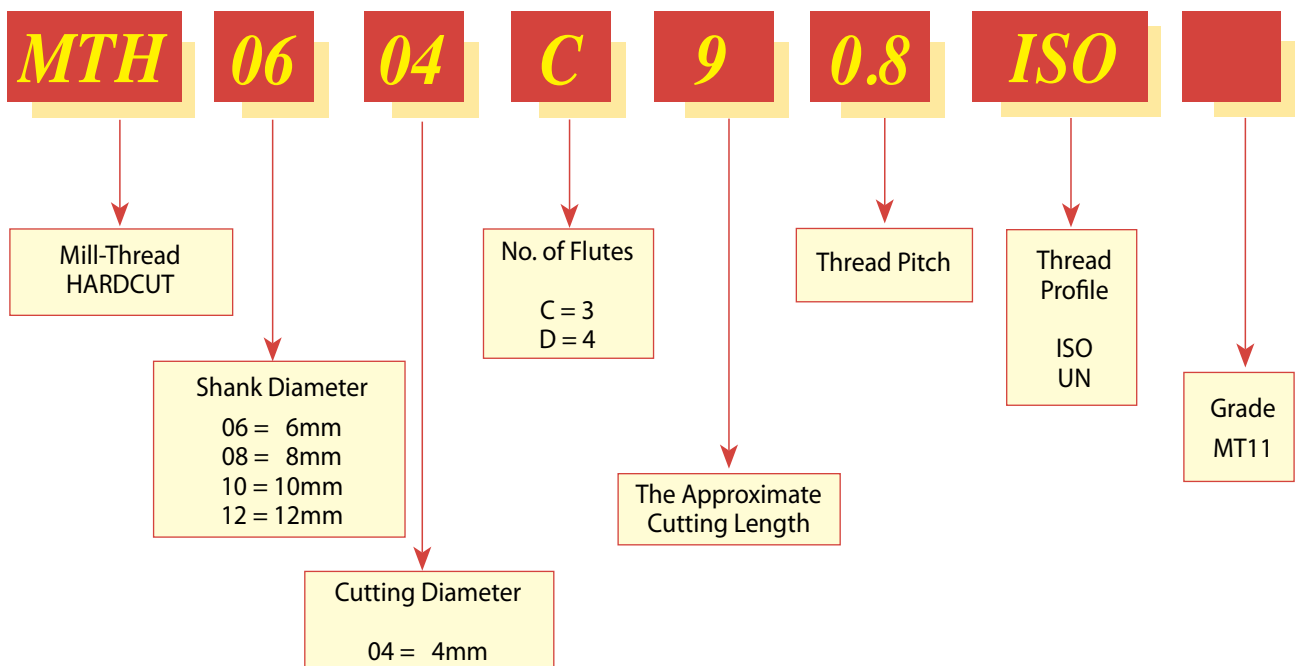
Product Identification	244
<b>MTSH Type</b>	
ISO	245
UN	246
G55° - BSW, BSP	247
<b>MTH Type</b>	
ISO	248
UN	248

# Product Identification

## Mini Mill-Thread MTSH Type Ordering Codes

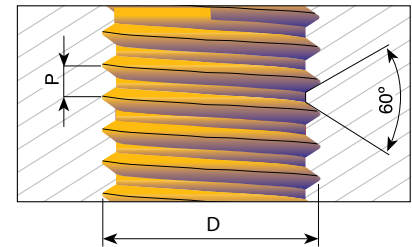
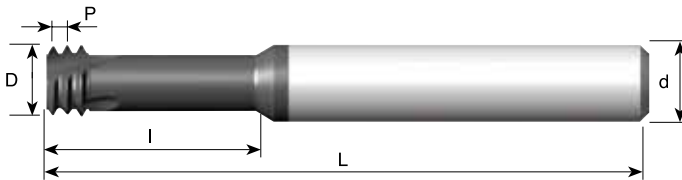


## MTH Type Ordering Codes



## ISO

### Same Tool for Internal and External Thread



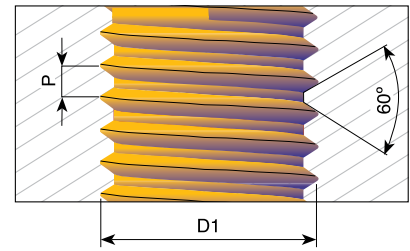
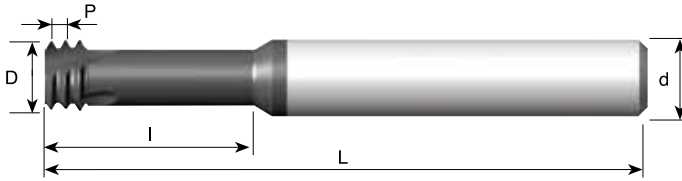
Left hand cutting  
For CNC code use M04

Pitch mm	D1	Ordering Code	d	D	No. of Flutes	I	L	Thread depth
0.3	M1.4	<b>MTSH03011C4 0.3 ISO</b>	3	1.05	3	4.0	39	3xD
0.35	M1.6	<b>MTSH03012C5 0.35 ISO</b>	3	1.20	3	4.8	39	3xD
0.4	M2	<b>MTSH06016C4 0.4 ISO</b>	6	1.53	3	4.5	58	2xD
		<b>MTSH03016C6 0.4 ISO</b>	3			6.0	39	3xD
0.45	M2.2	<b>MTSH06017C5 0.45 ISO</b>	6	1.65	3	5.0	58	2xD
		<b>MTSH06017C7 0.45 ISO</b>				7.0	58	3xD
0.45	M2.5	<b>MTSH0602C5 0.45 ISO</b>	6	1.95	3	5.5	58	2xD
		<b>MTSH0602C7 0.45 ISO</b>				7.5	58	3xD
0.5	M3	<b>MTSH06024C6 0.5 ISO</b>	6	2.37	3	6.5	58	2xD
		<b>MTSH06024C9 0.5 ISO</b>				9.5	58	3xD
0.6	M3.5	<b>MTSH06028C7 0.6 ISO</b>	6	2.75	3	7.5	58	2xD
		<b>MTSH06028C10 0.6 ISO</b>				10.5	58	3xD
0.7	M4	<b>MTSH06031C9 0.7 ISO</b>	6	3.10	3	9.0	58	2xD
		<b>MTSH06031C12 0.7 ISO</b>				12.5	58	3xD
0.8	M5	<b>MTSH06038C12 0.8 ISO</b>	6	3.80	3	12.5	58	2xD
		<b>MTSH06038C16 0.8 ISO</b>				16.0	58	3xD
1.0	M6	<b>MTSH06047C14 1.0 ISO</b>	6	4.65	3	14.0	58	2xD
		<b>MTSH06047C20 1.0 ISO</b>				20.0	58	3xD
1.25	M8	<b>MTSH0606C18 1.25 ISO</b>	6	6.00	3	18.0	58	2xD
		<b>MTSH0606C24 1.25 ISO</b>				24.0	58	3xD
1.5	M10	<b>MTSH08078C23 1.5 ISO</b>	8	7.80	3	23.0	64	2xD
1.75	M12	<b>MTSH1009C26 1.75 ISO</b>	10	9.00	3	26.0	73	2xD
2.0	M16	<b>MTSH12118D35 2.0 ISO</b>	12	11.80	4	35.0	84	2xD

Order example: MTSH 06031C9 0.7 ISO MT9

## UN

### Tools for Internal Thread



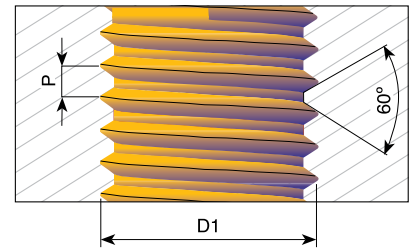
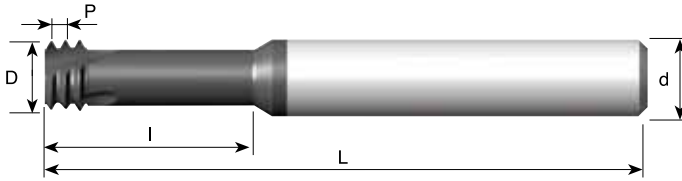
Left hand cutting  
For CNC code use M04

Pitch TPI	UNC	UNF	Ordering Code	d	D	No. of Flutes	I	L	Thread depth
80		0	<b>MTSH06012C4 80 UN</b>	6	1.15	3	4.0	58	3xD1
72		1	<b>MTSH06014C3 72 UN</b>	6	1.45	3	3.7	58	2xD1
72		1	<b>MTSH03015C6 72 UN</b>	3	1.45	3	6.0	39	3xD1
64	1	2	<b>MTSH06014C3 64 UN</b>	6	1.40	3	3.8	58	2xD1
56	2	3	<b>MTSH06016C4 56 UN</b>	6	1.65	3	4.4	58	2xD1
56	2	3	<b>MTSH06016C6 56 UN</b>	6	1.65	3	6.6	58	3xD1
48	3	4	<b>MTSH06019C5 48 UN</b>	6	1.90	3	5.2	58	2xD1
40	4		<b>MTSH06021C6 40 UN</b>	6	2.10	3	6.3	58	2xD1
40	4		<b>MTSH06021C8 40 UN</b>	6	2.10	3	8.0	58	3xD1
40	5	6	<b>MTSH06024C7 40 UN</b>	6	2.45	3	7.0	58	2xD1
40	5	6	<b>MTSH06024C9 40 UN</b>	6	2.45	3	9.6	58	3xD1
36		8	<b>MTSH06033C9 36 UN</b>	6	3.30	3	9.0	58	2xD1
32	6		<b>MTSH06025C7 32 UN</b>	6	2.55	3	7.1	58	2xD1
32	6		<b>MTSH06025C10 32 UN</b>	6	2.55	3	10.5	58	3xD1
32	8		<b>MTSH06032C9 32 UN</b>	6	3.20	3	9.5	58	2xD1
32	8		<b>MTSH06032C12 32 UN</b>	6	3.20	3	12.5	58	3xD1
32		10	<b>MTSH06037C10 32 UN</b>	6	3.70	3	10.5	58	2xD1
32		10	<b>MTSH06037C15 32 UN</b>	6	3.70	3	15.0	58	3xD1
28		12	<b>MTSH06042C11 28 UN</b>	6	4.20	3	11.0	58	2xD1
28		1/4	<b>MTSH0605C14 28 UN</b>	6	5.00	3	14.5	58	2xD1
28		1/4	<b>MTSH0605C19 28 UN</b>	6	5.00	3	19.0	58	3xD1
24	10, 12		<b>MTSH06035C10 24 UN</b>	6	3.50	3	10.6	58	2xD1
24		5/16, 3/8	<b>MTSH08066C17 24 UN</b>	8	6.60	3	17.0	64	2xD1
24		5/16, 3/8	<b>MTSH08066C24 24 UN</b>	8	6.60	3	24.0	64	3xD1
20	1/4		<b>MTSH06047C14 20 UN</b>	6	4.75	3	14.0	58	2xD1
20	1/4		<b>MTSH06047C19 20 UN</b>	6	4.75	3	19.0	58	3xD1
20		7/16	<b>MTSH0808C25 20 UN</b>	8	8.00	3	25.0	64	2xD1
18	5/16		<b>MTSH0606C17 18 UN</b>	6	6.00	3	17.0	58	2xD1
18	5/16		<b>MTSH0606C23 18 UN</b>	6	6.00	3	23.0	58	3xD1
18		5/8	<b>MTSH1212D35 18 UN</b>	12	12.00	4	35.0	84	2xD1
16	3/8		<b>MTSH08067C22 16 UN</b>	8	6.70	3	22.0	64	2xD1
14	7/16		<b>MTSH08077C25 14 UN</b>	8	7.70	3	25.0	64	2xD1
13	1/2		<b>MTSH10092C27 13 UN</b>	10	9.20	3	27.5	73	2xD1
12	9/16		<b>MTSH12105C31 12 UN</b>	12	10.50	3	31.5	84	2xD1
11	5/8		<b>MTSH12114C34 11 UN</b>	12	11.40	3	34.5	84	2xD1
10	3/4		<b>MTSH16144D41 10 UN</b>	16	14.40	4	41.5	105	2xD1

Order example: MTSH 06047C14 20 UN MT9

## G (55°) BSW, BSP

Same Tool for Internal and External Thread



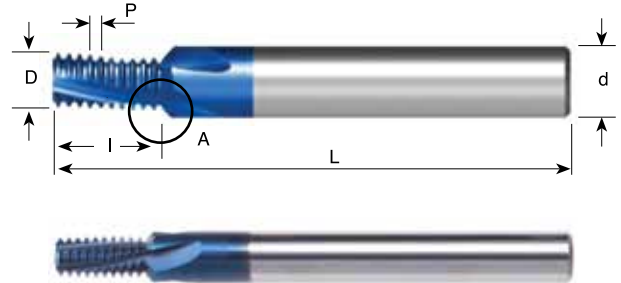
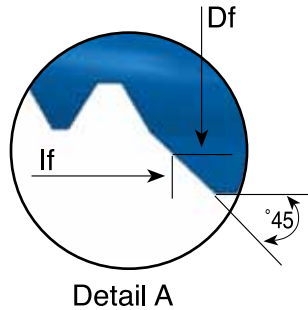
Left hand cutting  
For CNC code use M04

Pitch TPI	Standard	Ordering Code	d	D	No. of Flutes	I	L	Thread depth
28	G1/8	<b>MTSH08078 C19 28W</b>	8	7.8	3	19.5	64	2xD1
19	G1/4-3/8	<b>MTSH1010 D30 19W</b>	10	10.0	4	30.0	73	
14	G1/2-7/8	<b>MTSH1212 D37 14W</b>	12	12.0	4	37.0	84	
11	G≥1	<b>MTSH1616 D44 11W</b>	16	16.0	4	44.0	105	

Order example: MTSH 1010D30 19 W MT9

## ISO

### Tools for Internal Thread

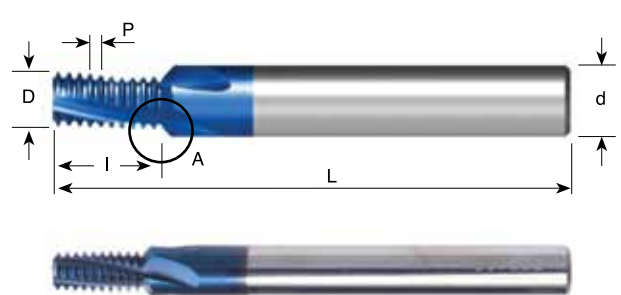
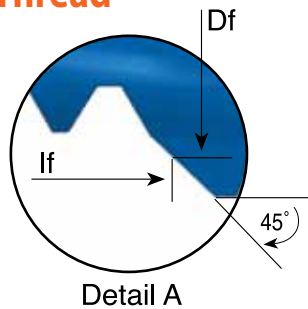


Pitch mm	M coarse	M fine	Ordering Code	d	D	Df	No. of Flutes	I	lf	L
0.5	M3	$\varnothing \geq 4$	<b>MTH06024C5 0.5 ISO</b>	6	2.4	3.6	3	5.3	5.9	58
0.7	M4	$\varnothing \geq 5$	<b>MTH06031C7 0.7 ISO</b>	6	3.1	4.3	3	7.4	8.0	58
0.8	M5	$\varnothing \geq 6$	<b>MTH0604C9 0.8 ISO</b>	6	4.0	5.2	3	9.2	9.8	58
1.0	M6	$\varnothing \geq 7$	<b>MTH08048D10 1.0 ISO</b>	8	4.8	6.4	4	10.5	11.3	64
1.0		$\varnothing \geq 9$	<b>MTH0806D13 1.0 ISO</b>	8	6.0	7.6	4	13.5	14.3	64
1.0		$\varnothing \geq 10$	<b>MTH1008D16 1.0 ISO</b>	10	8.0	9.6	4	16.5	17.3	73
1.25	M8	$\varnothing \geq 10$	<b>MTH0806D14 1.25 ISO</b>	8	6.0	7.6	4	14.4	15.2	64
1.5	M10	$\varnothing \geq 12$	<b>MTH1008D17 1.5 ISO</b>	10	8.0	9.8	4	17.3	18.2	73
1.5		$\varnothing \geq 14$	<b>MTH1210D21 1.5 ISO</b>	12	10.0	11.8	4	21.8	22.7	84
1.75	M12	$\varnothing \geq 12$	<b>MTH12095D20 1.75 ISO</b>	12	9.5	11.5	4	20.1	21.1	84

Order example: MTH08048D10 1.0 ISO MT11

## UN

### Tools for Internal Thread



Pitch TPI	UNC	UNF	UNEF	Ordering Code	d	D	Df	No. of Flutes	I	lf	L
40	5	6		<b>MTH06025C6 40 UN</b>	6	2.5	3.7	3	6.0	6.6	58
32	6			<b>MTH06026C5 32 UN</b>	6	2.6	3.8	3	5.9	6.5	58
32	8			<b>MTH06032C7 32 UN</b>	6	3.2	4.4	3	7.5	8.1	58
32		10	12	<b>MTH06038C9 32 UN</b>	6	3.8	5.0	3	9.1	9.7	58
28		1/4		<b>MTH08052D11 28 UN</b>	8	5.2	6.8	4	11.3	12.1	64
28			7/16, 1/2	<b>MTH12096D20 28 UN</b>	12	9.6	11.2	4	20.4	21.2	84
24		5/16, 3/8	9/16, 5/8, 11/16	<b>MTH08066D14 24 UN</b>	8	6.6	8.0	4	14.3	15.0	64
20	1/4			<b>MTH06048C12 20 UN</b>	6	4.8	6.0	3	12.1	12.7	58
20		7/16, 1/2	3/4, 1	<b>MTH12092D21 20 UN</b>	12	9.2	10.8	4	21.0	21.8	84
18	5/16	9/16, 5/8	11/16	<b>MTH08057C14 18 UN</b>	8	5.7	7.5	3	14.8	15.7	64
16	3/8	3/4		<b>MTH10074C16 16 UN</b>	10	7.4	9.2	3	16.7	17.6	73
14	7/16	7/8		<b>MTH10085D20 14 UN</b>	10	8.5	9.9	4	20.9	21.6	73
13	1/2			<b>MTH12094D22 13 UN</b>	12	9.4	11.4	4	22.5	23.5	84

Order example: MTH06048C12 20 UN MT11

# Mill-Thread Technical Section



## Contents:

## Page:

Conversion of Cutting Speed to Rotational Speed	250
Tool Selection	251
C.P.T. Mill-Thread Catalogue and CNC Programming Software	252
Example of Thread Milling CNC Program for Internal Threading	252
Mill-Thread Inserts Carbide Grades, Speed and Feed Selection	253
Spiral Mill-Thread Inserts, Speed and Feed Selection	253
Spiral Finish Speed Selection	254
Cutting Data D-Thread type	255
Cutting data CMT type	256-258

## Contents:

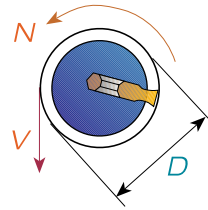
## Page:

<b>Mill-Thread Solid Carbide Grades, Speed and Feed Selection</b>	
MT, MTB, MTZ, EMT types	259
Cutting Data MTQ type	260
FMT Type	261-262
Mini Mill-Thread - MTS and MTI types	263
DMT type	264
DMTH type	264
Mini Mill-Thread - MTS type	265
MTH type	266

## Conversion of Cutting Speed to Rotational Speed

Conversion of selected cutting speed to rotational speed is calculated by the following formula:

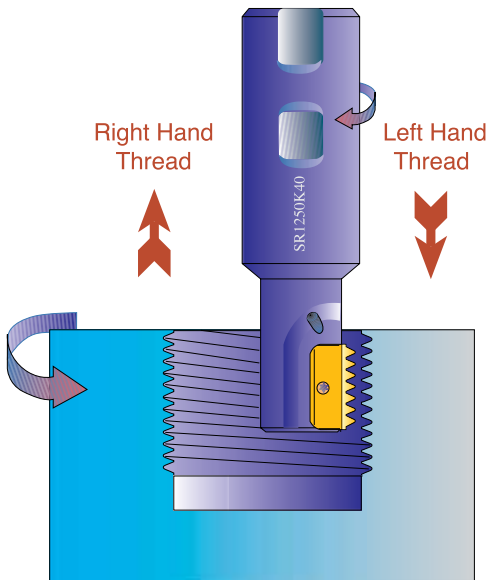
$$N = \frac{V \times 1000}{\pi \times D} = \frac{120 \times 1000}{3.14 \times 30} = 1274 \text{ RPM}$$



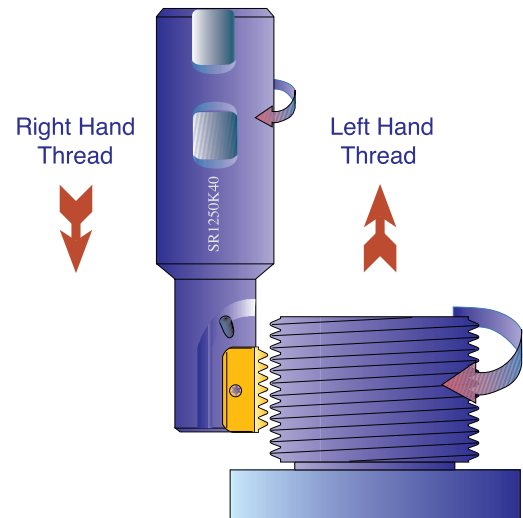
**Example:**  $V=120 \text{ m/min}$   
 $D=30 \text{ mm}$

D=Cutting diameter

### Internal Thread



### External Thread

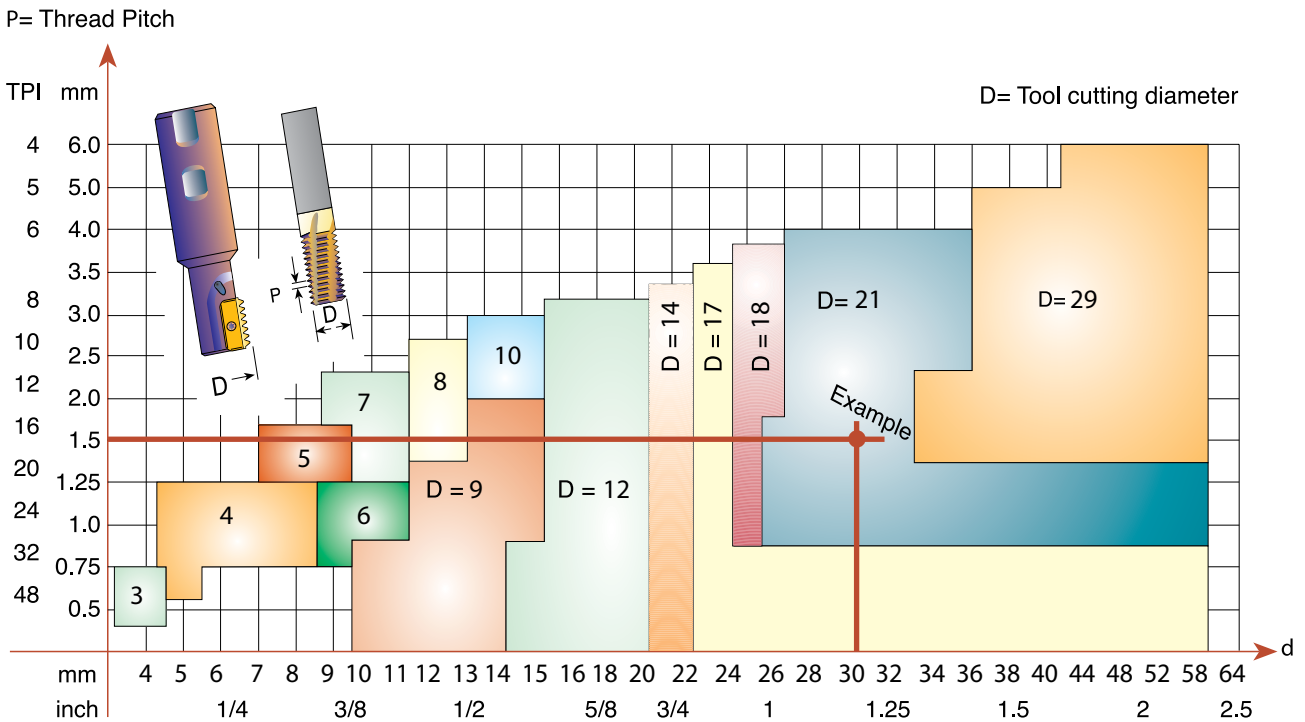




## Tool Selection

For indexable and solid carbide Mill Threads

The following chart provides a fairly accurate visual selection tool for Internal Threading. The chart is suitable for the following thread forms: ISO, UN, WHIT, NPT, NPTF, BSPT and PG.



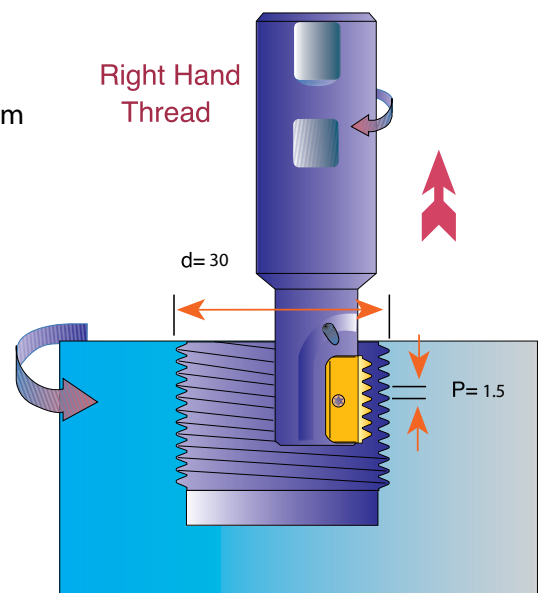
Any tool with a small cutting diameter can produce larger diameter threads.

**Example:** Internal thread M30 x 1.5:

Find a Milling Tool to produce d=30 Internal right hand ISO thread with a thread pitch P=1.5 mm. As can be seen from the chart above, the two red lines intersect at a selected tool with a cutting diameter of D=21 mm

Chosen toolholder: SR0021 H21

Insert: 21 I 1.5 ISO MT7



If you need assistance, please call your local distributor and ask for help in selecting the appropriate tool as well as for a CNC program to suit your CNC milling machine.

## C.P.T. Mill-Thread catalogue and CNC programming Software

This software is provided by C.P.T. to assist you, the threadmilling user, to select and apply the correct tool to machine threads on CNC machining centers. The program will find tools and inserts which are suitable for your application, calculate cutting data and generate a CNC program for a variety of controls.

The software is available at our web site: [www.cpt-gewindewerkzeuge.de](http://www.cpt-gewindewerkzeuge.de)



## Example of Thread Milling CNC Program for Internal Threading

Right hand thread (climb milling) from bottom up.

Program is based on tool center.

This method of programming needs no tool radius compensation value other than an offset for wear.

$A = \frac{D_o - D}{2}$	<p>A = Radius of tool path                  D<sub>o</sub> = Major thread dia.                  D = Cutting dia.</p>
-------------------------	---

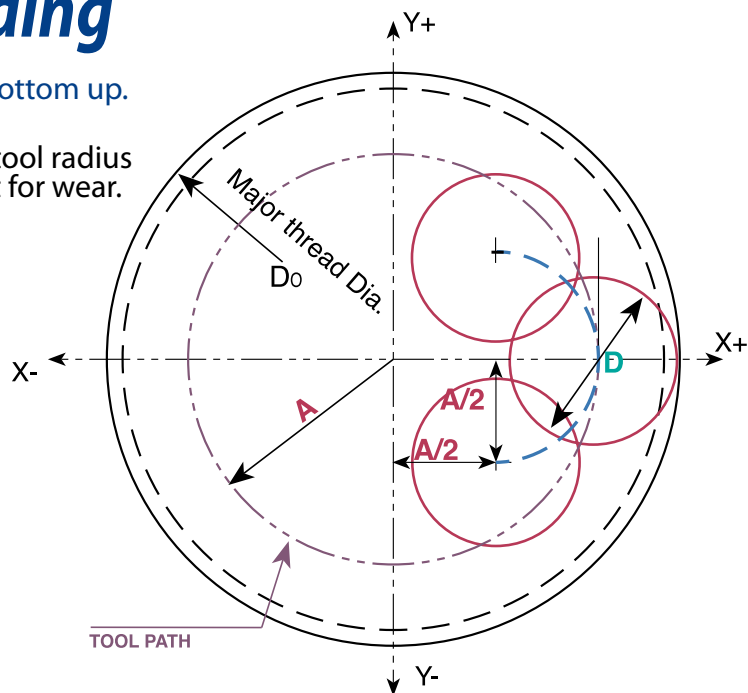
### General Program

```
G90 G00 G54 G40 G17 G94X0 Y0 S---M03
G43 H1 Z50.000 M08
G90 G01 Z- (TO THREAD DEPTH) F5000
G91 G41 D1 X(A/2) Y-(A/2) Z0 F---
G03 X(A/2) Y(A/2) Z(1/8 PITCH) I0 J(A/2) F---
G03 X0 Y0 Z(PITCH) I-(A) J0
G03 X-(A/2) Y(A/2) Z(1/8 PITCH) I-(A/2) J0
G01 G40 X-(A/2) Y-(A/2) Z0 F5000
G90 G00 Z50.000
```

### Internal Thread

EXAMPLE: M 32 X 2.0 (Thread depth 18 mm)  
 TOOLHOLDER: SR0021 H20 (Cutting dia. 21 mm)  
 INSERT: 21 I 2.0ISO  
 $A = (32-21)/2 = 5.5$

```
G90 G00 G54 G40 G17 G94 X0.000 Y0.000 S2986 M03
G43 H1 Z50.000 M08
G90 G01 Z-18.250 F5000
G91 G41 D1 X2.750 Y-2.750 Z0.000 F215
G03 X2.750 Y2.750 Z0.250 I0.000 J2.750 F74
G03 X0.000 Y0.000 Z2.000 I-5.500 J0.000
G03 X-2.750 Y2.750 Z0.250 I-2.750 J0.000
G01 G40 X-2.750 Y-2.750 Z0.000 F5000
G90 G00 Z50.000
```



## Mill-Thread Inserts Speed and Feed Selection

**MT7** Sub-Micron Grade with Titanium Aluminum Nitride multi-layer coating (ISO K10 - K20). This is a general purpose grade, which can be used with all materials; it should be run at medium to high cutting speeds.

ISO	Materials	Cutting Speed m/min MT7
<b>P</b>	Low and Medium Carbon Steels	115 - 280
	High Carbon Steels	130 - 200
	Alloy Steels, Treated Steels	105 - 180
<b>M</b>	Stainless Steels	130 - 190
	Cast Steels	150 - 190
<b>K</b>	Cast Iron	80 - 70
<b>N</b>	Non-Ferrous & Aluminum	180 - 340
	Synthetics, Duroplastics, Thermoplastics	115 - 460
<b>S</b>	Nickel Alloys, Titanium Alloys	25 - 90

**Recommended FEED RATE: 0.05 - 0.15 mm**

## Spiral Mill-Thread Inserts Speed and Feed Selection

**MT7** Sub-Micron Grade with Titanium Aluminum Nitride multi-layer coating (ISO K10 - K20). This is a general purpose grade, which can be used with all materials; it should be run at medium to high cutting speeds.

ISO	Materials	Cutting Speed m/min MT7
<b>P</b>	Low and Medium Carbon Steels	145 - 360
	High Carbon Steels	165 - 255
	Alloy Steels, Treated Steels	135 - 230
<b>M</b>	Stainless Steels	165 - 245
	Cast Steels	190 - 245
<b>K</b>	Cast Iron	100 - 220
<b>N</b>	Non-Ferrous & Aluminum	230 - 440
	Synthetics, Duroplastics, Thermoplastics	145 - 590
<b>S</b>	Nickel Alloys, Titanium Alloys	30 - 115

**Recommended FEED RATE: 0.05 - 0.15 mm**

As you may note, cutting speed is shown in range terms. In most standard cases choosing a speed in the middle of the range would be a good choice for a start.

For hard metals reduce cutting speed.

## Spiral Finish Speed Selection

**MT7** Sub-Micron Grade with Titanium Aluminum Nitride multi-layer coating (ISO K10 - K20). This is a general purpose grade, which can be used with all materials; it should be run at medium to high cutting speeds.

ISO	Materials	Cutting Speed (m/min)
<b>P</b>	Low and Medium Carbon Steels	200 - 330
	High Carbon Steels	170 - 235
	Alloy Steels, Treated Steels	100 - 195
<b>M</b>	Stainless Steels	180 - 230
	Cast Steels	180 - 230
<b>K</b>	Cast Iron	200 - 350
<b>N</b>	Non-Ferrous and Aluminum	500 - 1100
	Synthetics, Duroplastics, Thermoplastics	400 - 1500
<b>S</b>	Nickel Alloys, Titanium Alloys	30 - 55

## Cutting Data

### D-Thread type

**MT7** Sub-Micron Grade with Titanium Aluminum Nitride multi-layer coating (ISO K10 - K20). This is a general purpose grade, which can be used with all materials; it should be run at medium to high cutting speeds.

ISO	Materials	Cutting Speed (m/min)
<b>P</b>	Low and Medium Carbon Steels <0.55%C	100-205
	High Carbon Steels ≥0.55%C	100-180
	Alloy Steels, Treated Steels	100-140
<b>M</b>	Stainless Steels - Free Cutting	85-125
	Stainless Steels - Austenitic	80-115
	Cast Steels	115-155
<b>K</b>	Cast Iron	75-145
<b>N</b>	Aluminum ≤12%Si, Copper	150-300
	Aluminum >12% Si	150-300
	Synthetics, Duroplastics, Thermoplastics	100-350
<b>S</b>	Nickel Alloys, Titanium Alloys	45- 95

**Recommended FEED RATE: 0.07 - 0.15 mm**

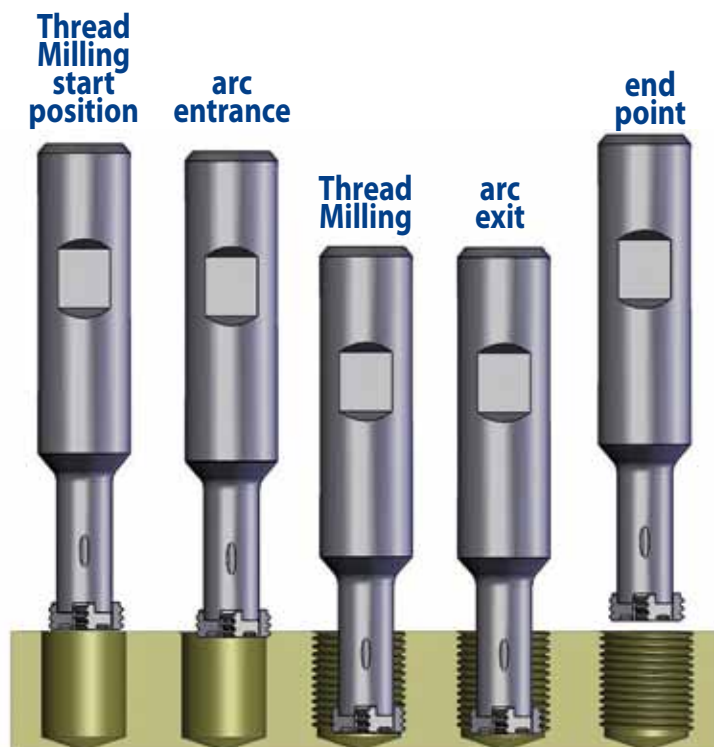
## Cutting Data

### CMT type



**MT7** Sub-Micron Grade with Titanium Aluminum Nitride multi-layer coating (ISO K10 - K20). This is a general purpose grade, which can be used with all materials; it should be run at medium to high cutting speeds.

ISO	Materials	Cutting Speed m/min	Feed mm/tooth Cutting Diameter=D			
			Ø10	Ø12	Ø18	Ø25
<b>P</b>	Low and Medium Carbon Steels <0.55%C	60 - 120	0.16	0.17	0.20	0.22
	High Carbon Steels ≥0.55%C	60 - 90	0.14	0.16	0.20	0.22
	Alloy Steels, Treated Steels	50 - 80	0.10	0.12	0.16	0.18
<b>M</b>	Stainless Steels - Free Cutting	70 - 100	0.10	0.11	0.15	0.17
	Stainless Steels - Austenitic	60 - 90	0.10	0.11	0.15	0.17
	Cast Steels	70 - 90	0.10	0.12	0.16	0.18
<b>K</b>	Cast Iron	40 - 80	0.16	0.17	0.20	0.22
<b>N</b>	Aluminum ≤12%Si, Copper	100 - 200	0.16	0.17	0.20	0.22
	Aluminum >12% Si	60 - 140	0.10	0.11	0.16	0.18
	Synthetics, Duroplastics, Thermoplastics	50 - 200	0.19	0.19	0.22	0.24
<b>S</b>	Nickel Alloys, Titanium Alloys	20 - 40	0.07	0.07	0.10	0.12
<b>H</b>	Hardened Steel 45 - 50HRc	60 - 70	0.09	0.09	0.13	0.15
	Hardened Steel 50 - 55HRc	50 - 60	0.08	0.08	0.12	0.14



## Cutting Data

### CMT Spiral Multi Flute Inserts



#### Carbide grade - MT8:

Sub-Micron Grade with Aluminum Titanium Nitride (AlTiN) multi-layer coating (ISO K10-K20). Extremely high heat resistant and smooth cutting operation, for high performance, and normal machining conditions. General purpose for all materials.

ISO Standard	Material	Cutting Speed m/min	Feed mm/tooth Cutting Diameter = D
			Ø16-Ø35
<b>P</b>	Low and Medium Carbon Steels <0.55%C	60-120	0.14-0.24
	High Carbon Steels ≥0.55%C	60- 90	0.12-0.24
	Alloy Steels, Treated Steels	50- 80	0.08-0.20
<b>M</b>	Stainless Steel-Free Cutting	70-100	0.08-0.19
	Stainless Steel-Austenitic	60- 90	0.08-0.19
	Cast Steels	70- 90	0.08-0.20
<b>K</b>	Cast Iron	40- 80	0.14-0.24
<b>N</b>	Aluminum ≤12%Si, Copper	100-200	0.14-0.26
	Aluminum >12%Si	60-140	0.08-0.22
	Synthetics, Duroplastics, Thermoplastics	50-200	0.17-0.28
<b>S</b>	Nickel Alloys, Titanium Alloys.	20- 40	0.05-0.14
<b>H</b>	Hardened Steel, 45-50HRc	60- 70	0.07-0.17
	Hardened Steel, 51-55HRc	50- 60	0.06-0.16

## Cutting Data

### CMT Milling cutter



**MT7** Sub-Micron Grade with Titanium Aluminum Nitride multi-layer coating (ISO K10 - K20). This is a general purpose grade, which can be used with all materials; it should be run at medium to high cutting speeds.

ISO Standard	Material	Cutting Speed m/min	Feed mm/tooth
<b>P</b>	Low and Medium Carbon Steels <0.55%C	60-120	0.05-0.15
	High Carbon Steels ≥0.55%C	60-90	0.05-0.10
	Alloy Steels, Treated Steels	50-80	0.05-0.10
<b>M</b>	Stainless Steel-Free Cutting	70-100	0.04-0.13
	Stainless Steel-Austenitic	60-90	0.04-0.10
	Cast Steels	70-90	0.04-0.13
<b>K</b>	Cast Iron	40-80	0.05-0.15
<b>N</b>	Aluminum ≤12%Si, Copper	100-200	0.05-0.25
	Aluminum >12%Si	60-140	0.03-0.10
	Synthetics, Duroplastics, Thermoplastics	50-200	0.05-0.25
<b>S</b>	Nickel alloys, Titanium Alloys.	20-40	0.03-0.10
<b>H</b>	Hardened Steel, ≤ 45 HRc	60-70	0.03-0.10



## Mill-Thread Solid Carbide Grades, Speed and Feed Selection

### MT Type

**MT7** Sub-Micron Grade with Titanium Aluminum Nitride multi-layer coating (ISO K10 - K20). This is a general purpose grade, which can be used with all materials; it should be run at medium to high cutting speeds.

ISO	Materials	Cutting Speed m/min	Feed mm/tooth Cutting Diameter=D										
			Ø2	Ø3	Ø4	Ø6	Ø8	Ø10	Ø12	Ø14	Ø16	Ø20	Ø25
P	Low and Medium Carbon Steels <0.55%C	90-200	0.03	0.04	0.04	0.06	0.07	0.08	0.09	0.11	0.12	0.15	0.18
	High Carbon Steels ≥0.55%C	100-145	0.02	0.03	0.03	0.05	0.06	0.07	0.08	0.09	0.10	0.12	0.15
	Alloy Steels, Treated Steels												
M	Stainless Steels - Free Cutting	55-130	0.02	0.03	0.03	0.04	0.05	0.06	0.06	0.07	0.08	0.09	0.11
	Stainless Steels - Austenitic												
	Cast Steels	120-135	0.02	0.02	0.03	0.03	0.04	0.05	0.05	0.06	0.07	0.08	0.10
K	Cast Iron	65-120	0.03	0.04	0.04	0.06	0.07	0.08	0.09	0.11	0.12	0.15	0.18
N	Aluminum ≤12%Si, Copper	135-280	0.03	0.04	0.04	0.06	0.07	0.08	0.09	0.11	0.12	0.15	0.18
	Aluminum >12% Si	90-200	0.02	0.02	0.03	0.03	0.04	0.05	0.05	0.06	0.07	0.08	0.10
	Synthetics, Duroplastics, Thermoplastics	90-320	0.05	0.06	0.07	0.08	0.10	0.11	0.12	0.14	0.15	0.18	0.22
S	Nickel Alloys, Titanium Alloys												

For cutters with long cutting length reduce feed rate by 40%

### MTB, MTZ, EMT Types

ISO	Materials	Cutting Speed m/min	Feed mm/tooth Cutting Diameter=D										
			Ø2	Ø3	Ø4	Ø6	Ø8	Ø10	Ø12	Ø14	Ø16	Ø20	Ø25
P	Low and Medium Carbon Steels <0.55%C	100-250	0.03	0.04	0.04	0.06	0.07	0.08	0.09	0.11	0.12	0.15	0.18
	High Carbon Steels ≥0.55%C	110-180	0.02	0.03	0.03	0.05	0.06	0.07	0.08	0.09	0.10	0.12	0.15
	Alloy Steels, Treated Steels	90- 60	0.02	0.02	0.03	0.03	0.04	0.05	0.05	0.06	0.07	0.08	0.10
M	Stainless Steels - Free Cutting	60-160	0.02	0.03	0.03	0.04	0.05	0.06	0.06	0.07	0.08	0.09	0.11
	Stainless Steels - Austenitic	60-120	0.02	0.02	0.03	0.03	0.04	0.05	0.05	0.06	0.07	0.08	0.10
	Cast Steels	130-170	0.02	0.02	0.03	0.03	0.04	0.05	0.05	0.06	0.07	0.08	0.10
K	Cast Iron	70-150	0.03	0.04	0.04	0.06	0.07	0.08	0.09	0.11	0.12	0.15	0.18
N	Aluminum ≤12%Si, Copper	150-350	0.03	0.04	0.04	0.06	0.07	0.08	0.09	0.11	0.12	0.15	0.18
	Aluminum >12% Si	100-250	0.02	0.02	0.03	0.03	0.04	0.05	0.05	0.06	0.07	0.08	0.10
	Synthetics, Duroplastics, Thermoplastics	100-400	0.05	0.06	0.07	0.08	0.10	0.11	0.12	0.13	0.15	0.18	0.22
S	Nickel Alloys, Titanium Alloys	20- 80	0.02	0.02	0.02	0.03	0.03	0.03	0.03	0.04	0.04	0.04	0.05

For cutters with long cutting length reduce feed rate by 40%

## MTQ type

**Thread mills with relieved neck and internal coolant for milling medium and large threads on relatively deep work pieces.**

Carbide grade: MT7

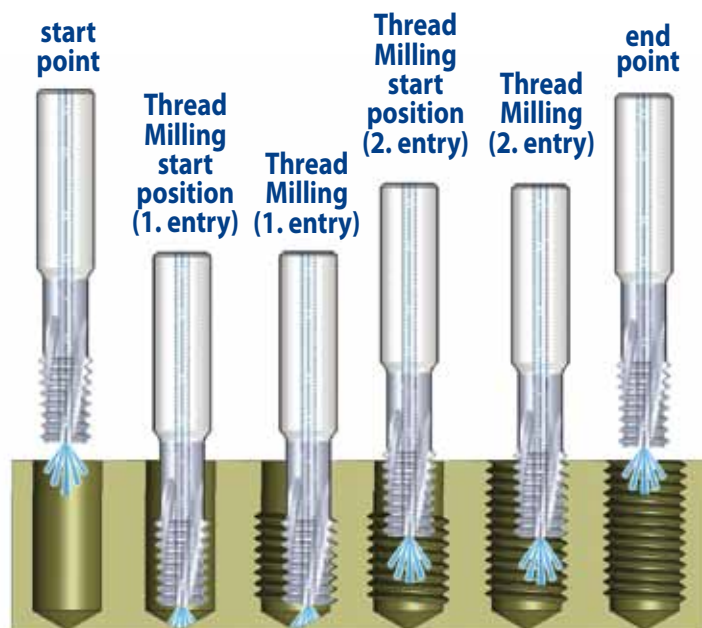
- To produce medium and large threads on relatively deep work pieces.
- To use overhang according to the application.
- To perform deep threads at the bottom of the application.

### Advantages

- Provides high rigidity and stability (anti-vibration).
- Accomplishes deep threads in one pass.
- Relatively low cutting forces due to short cutting length.
- Threads length up to 3D.

**MT7** Sub-Micron Grade with Titanium Aluminum Nitride multi-layer coating (ISO K10 - K20). This is a general purpose grade, which can be used with all materials; it should be run at medium to high cutting speeds.

ISO	Materials	Cutting Speed m/min	Feed mm/tooth Cutting Diameter=D					
			Ø10	Ø12	Ø14	Ø16	Ø20	Ø25
<b>P</b>	Low and Medium Carbon Steels < 0.55%C	100 - 250	0.06	0.07	0.07	0.08	0.10	0.12
	High Carbon Steels ≥ 0.55%C	110 - 180	0.05	0.05	0.06	0.07	0.09	0.10
	Alloy Steels, Treated Steels	90 - 160	0.03	0.04	0.04	0.05	0.06	0.07
<b>M</b>	Stainless Steels - Free Cutting	60 - 160	0.04	0.04	0.05	0.06	0.06	0.08
	Stainless Steels - Austenitic	60 - 120	0.04	0.04	0.04	0.05	0.06	0.07
	Cast Steels	130 - 170	0.03	0.04	0.04	0.05	0.06	0.07
<b>K</b>	Cast Iron	70 - 150	0.06	0.07	0.07	0.08	0.10	0.12
<b>N</b>	Aluminum ≤ 12%Si, Copper	150 - 350	0.06	0.07	0.07	0.08	0.10	0.12
	Aluminum > 12% Si	100 - 250	0.03	0.04	0.04	0.05	0.06	0.07
	Synthetics, Duroplastics, Thermoplastics	100 - 400	0.08	0.09	0.10	0.11	0.13	0.15
<b>S</b>	Nickel Alloys, Titanium Alloys	20 - 80	0.02	0.02	0.02	0.03	0.03	0.03



## FMT Fast MT

- C.P.T. has designed a unique line of solid carbide thread milling tools FMT for increased productivity and high performance.
- Large number of flutes enables to achieve significant shorter machining time.

## FMT vs. Taps

Features	FMT	Taps
Thread up to bottom at blind hole	Possible	Not possible
Machining load	Very low	High
Thread surface quality	High	Medium
Process reliability	Very reliable, especially for expensive work pieces	Medium
Thread geometry	Very accurate	Medium
Cycle time	Same or faster than tap	Fast

**MT8** Sub Micron grade with advanced PVD triple coating (ISO K10-K20). Extremely high heat resistant and smooth cutting operation, for high performance and normal machining conditions. General purpose for all materials.

## Test Report

### Application

Internal right hand thread: M6x1.0  
 Thread length: 10 mm, Blind hole  
 Bore size: Ø 5 mm  
 Chamfer: 0.9 mm

### Work piece material

Steel SAE 4340

### Cutter description

FMT08048F10 1.0 ISO- with internal coolant  
 Shank diameter: Ø8 mm  
 Cutting diameter: Ø4.8 mm  
 Number of flutes: 6  
 Cutting length: 10.5 mm  
 Total length: 64 mm

### Cutting conditions

Cutting speed: 130 m/min Feed: 0.016 mm/tooth

### Machine

Mori Seiki NV5000 Coolant: emulsion 5%

### Results

Tool life : 2,170 threads  
 Cycle time: 1.5 sec

## FMT

ISO Standard	Materials	Cutting Speed m/min	Feed mm/tooth Cutting Diameter = D				
			Ø5	Ø6	Ø8	Ø10	Ø12
<b>P</b>	Low and Medium Carbon Steels < 0.55%C	100-250	0.03	0.06	0.07	0.08	0.09
	High Carbon Steels ≥ 0.55%C	110-180	0.03	0.05	0.06	0.07	0.08
	Alloy Steels, Treated Steels	90- 60	0.02	0.03	0.04	0.05	0.05
<b>M</b>	Stainless Steel - Free Cutting	60-160	0.03	0.04	0.05	0.06	0.06
	Stainless Steel - Austenitic	60-120	0.01	0.03	0.04	0.05	0.05
	Cast Steels	130-170	0.02	0.03	0.04	0.05	0.05
<b>K</b>	Cast Iron	70-150	0.04	0.06	0.07	0.08	0.09
<b>N</b>	Aluminum ≤ 12%Si, Copper	150-350	0.04	0.06	0.07	0.08	0.09
	Aluminum > 12%Si	100-250	0.03	0.03	0.04	0.05	0.05
	Synthetics, Duroplastics, Thermoplastics	100-400	0.06	0.08	0.10	0.11	0.12
<b>S</b>	Nickel Alloys, Titanium Alloys.	20- 80	0.02	0.03	0.03	0.03	0.03
<b>H</b>	Hardened Steel, 45-50HRc	60- 70	0.02	0.03	0.03	0.03	0.03

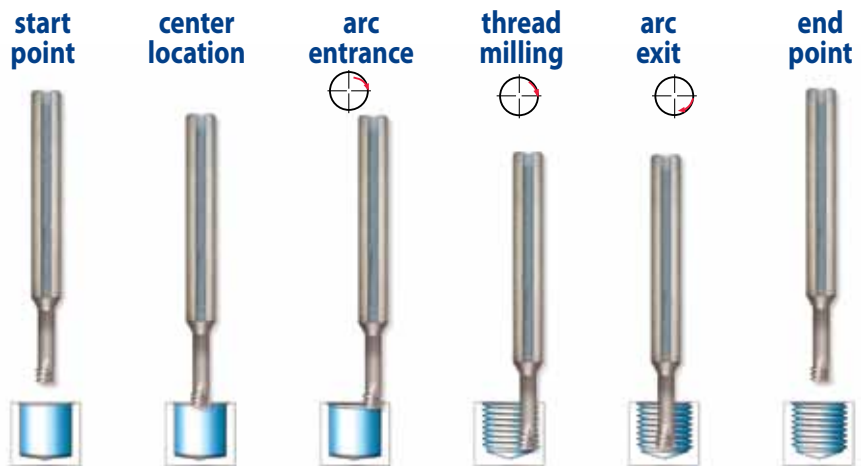
## Mini Mill-Thread MTS and MTI types

**MT7** Sub-Micron Grade with Titanium Aluminum Nitride multi-layer coating (ISO K10 - K20). This is a general purpose grade, which can be used with all materials; it should be run at medium to high cutting speeds.

**MT8** Sub-Micron Grade with Aluminum Titanium Nitride (AlTiN) multi-layer coating (ISO K10-K20). Extremely high heat resistant and smooth cutting operation, for high performance, and normal machining conditions. General purpose for all materials.

**MT11** Ultra-fine sub-micron grade with advanced PVD triple coating.

ISO Standard	Materials	Cutting Speed m/min	Feed mm/tooth													
			Cutting Diameter = D													
			Ø1	Ø1.5	Ø2	Ø3	Ø4	Ø5	Ø6	Ø7	Ø8	Ø9	Ø10	Ø12	Ø14	Ø16
<b>P</b>	Low and Medium Carbon Steels < 0.55%C	60-120	0.04	0.05	0.05	0.07	0.09	0.11	0.13	0.14	0.15	0.16	0.16	0.17	0.18	0.18
	High Carbon Steels ≥ 0.55%C	60- 90	0.03	0.04	0.05	0.06	0.08	0.09	0.10	0.12	0.13	0.14	0.14	0.16	0.17	0.18
	Alloy Steels, Treated Steels	50- 80	0.03	0.04	0.04	0.05	0.05	0.06	0.07	0.07	0.08	0.09	0.10	0.12	0.13	0.14
<b>M</b>	Stainless Steels - Free Cutting	70-100	0.02	0.03	0.03	0.04	0.05	0.06	0.06	0.07	0.08	0.09	0.10	0.11	0.12	0.13
	Stainless Steels - Austenitic	60- 90	0.02	0.03	0.03	0.04	0.05	0.06	0.06	0.07	0.08	0.09	0.10	0.11	0.12	0.13
	Cast Steels	70- 90	0.03	0.04	0.04	0.05	0.05	0.06	0.07	0.07	0.08	0.09	0.10	0.12	0.13	0.14
<b>K</b>	Cast Iron	40- 80	0.04	0.05	0.05	0.07	0.09	0.11	0.13	0.14	0.15	0.16	0.16	0.17	0.18	0.18
<b>N</b>	Aluminum ≤12%Si, Copper	100-200	0.04	0.05	0.05	0.07	0.09	0.11	0.13	0.14	0.15	0.16	0.16	0.17	0.18	0.18
	Aluminum >12% Si	60-140	0.03	0.03	0.03	0.04	0.05	0.06	0.06	0.07	0.08	0.09	0.10	0.11	0.13	0.14
	Synthetics, Duroplastics, Thermoplastics	50-200	0.09	0.10	0.11	0.12	0.14	0.16	0.18	0.19	0.19	0.19	0.19	0.20	0.20	0.20
<b>S</b>	Nickel Alloys and Titanium Alloys	20- 40	0.03	0.03	0.03	0.04	0.04	0.05	0.06	0.06	0.06	0.07	0.07	0.07	0.08	0.08



## Mini Mill-Thread vs. Taps

Features	Mini Mill-Thread	Taps
Thread surface quality	High	Medium
Thread geometry	Very accurate	Medium
Thread tolerances	4H, 5H, 6H with std cutter	6H with standard tap, 4H with specific tap
Machining time	Same as tap or shorter	Short
Tool breakage	Almost not possible	Could happen often
Machining load	Very low	High
Range of thread diameters	Wide range of diameters	Specific tap for each diameter
Right/Left hand threading	Same cutter	Specific tap for each
Geometric shape	Full profile	Partial profile

## DMT type

**MT7** Sub-Micron Grade with Titanium Aluminum Nitride multi-layer coating (ISO K10 - K20). This is a general purpose grade, which can be used with all materials; it should be run at medium to high cutting speeds.

ISO	Materials	Cutting Speed m/min	Feed mm/tooth Cutting Diameter = D							
			Ø3	Ø4	Ø5	Ø6	Ø8	Ø9	Ø10	Ø12
<b>P</b>	Low and Medium Carbon Steels < 0.55%C	60-120	0.02	0.03	0.03	0.04	0.05	0.05	0.05	0.05
	High Carbon Steels ≥ 0.55%C	60-90	0.015	0.02	0.03	0.03	0.04	0.04	0.04	0.05
	Alloy Steels, Treated Steels	50-80	0.015	0.02	0.02	0.02	0.02	0.03	0.03	0.04
<b>M</b>	Stainless Steels - Free Cutting	70-100	0.015	0.02	0.02	0.02	0.02	0.03	0.03	0.03
	Stainless Steels - Austenitic	60-90	0.015	0.02	0.02	0.02	0.02	0.03	0.03	0.03
	Cast Steels	70-90	0.015	0.02	0.02	0.02	0.02	0.03	0.03	0.04
<b>K</b>	Cast Iron	40-80	0.02	0.03	0.03	0.04	0.05	0.05	0.05	0.05
<b>N</b>	Aluminum ≤12%Si, Copper	100-200	0.02	0.03	0.03	0.04	0.05	0.05	0.05	0.05
	Aluminum >12% Si	60-140	0.015	0.02	0.02	0.02	0.02	0.03	0.03	0.03
	Synthetics, Duroplastics, Thermoplastics	50-200	0.03	0.04	0.05	0.05	0.06	0.06	0.06	0.06

## DMTH type

**MT11** Ultra-fine Sub-Micron grade with advanced PVD triple Blue coating

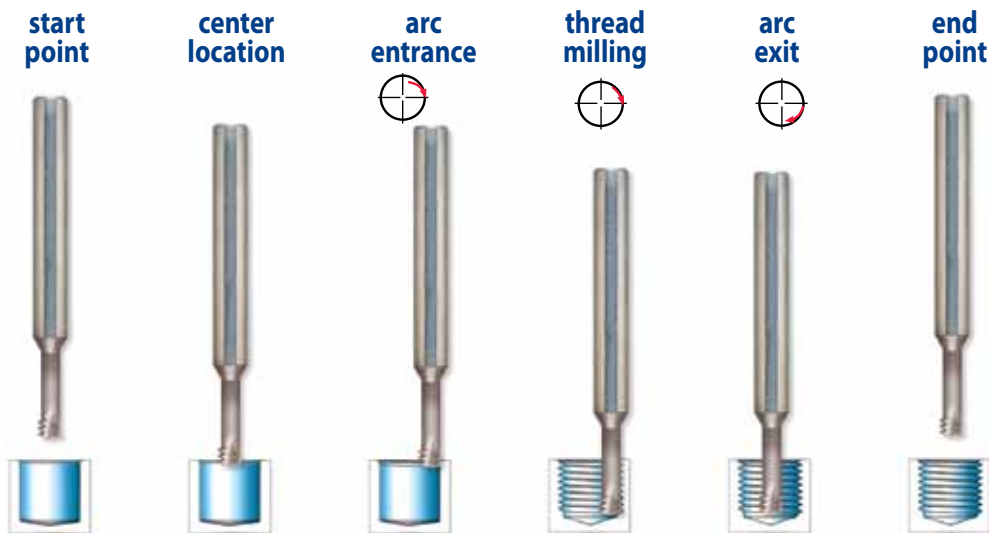
ISO	Materials	Cutting Speed m/min	Feed mm/tooth								
			Ø2	Ø3	Ø4	Ø5	Ø6	Ø8	Ø9	Ø10	Ø12
<b>P</b>	Low and Medium Carbon Steels < 0.55%C	60-120	0.02	0.02	0.03	0.03	0.04	0.05	0.05	0.05	0.05
	High Carbon Steels ≥ 0.55%C	60-90	0.02	0.02	0.02	0.03	0.03	0.04	0.04	0.04	0.05
	Alloy Steels, Treated Steels	50-80	0.02	0.02	0.02	0.02	0.02	0.02	0.03	0.03	0.04
<b>M</b>	Stainless Steels - Free Cutting	70-100	0.02	0.02	0.02	0.02	0.02	0.02	0.03	0.03	0.03
	Stainless Steels - Austenitic	60-90	0.02	0.02	0.02	0.02	0.02	0.02	0.03	0.03	0.03
	Cast Steels	70-90	0.02	0.02	0.02	0.02	0.02	0.02	0.03	0.03	0.04
<b>K</b>	Cast Iron	40-80	0.03	0.03	0.03	0.03	0.04	0.05	0.05	0.05	0.05
<b>N</b>	Aluminum ≤10%Si, Copper	100-200	0.03	0.03	0.03	0.03	0.04	0.05	0.05	0.05	0.05
	Aluminum >10% Si	60-140	0.02	0.02	0.02	0.02	0.02	0.02	0.03	0.03	0.03
	Synthetics, Duroplastics, Thermoplastics	50-200	0.04	0.05	0.05	0.05	0.05	0.06	0.06	0.06	0.06
<b>S</b>	Nickel Alloys, Titanium Alloys and High Temp. Alloys	20-40	0.02	0.03	0.03	0.04	0.05	0.05	0.06	0.06	0.06
<b>H</b>	Hardened Steels 45-50 HRc	60-70	0.02	0.02	0.02	0.03	0.04	0.04	0.05	0.05	0.05
	Hardened Steels 50-55 HRc	50-60	0.01	0.01	0.01	0.02	0.03	0.03	0.04	0.04	0.04

## Mini Mill-Thread MTSH type

**MT9** Sub-Micron Grade with advanced PVD triple coating.

**Left hand cutting for CNC code use M04**

ISO	Materials	Hardness HRC	Cutting Speed m/min	Feed mm/tooth													
				Cutting Diameter = D													
				Ø1	Ø1.5	Ø2	Ø3	Ø4	Ø5	Ø6	Ø7	Ø8	Ø9	Ø10	Ø12	Ø14	Ø16
<b>S</b>	Nickel Alloys, Titanium Alloys and High Temp. Alloys		20-40	0.03	0.03	0.03	0.04	0.04	0.05	0.06	0.06	0.06	0.07	0.07	0.07	0.08	0.08
<b>H</b>	Hardened Steels	45-50	60-70	0.03	0.04	0.04	0.05	0.05	0.06	0.06	0.07	0.07	0.08	0.08	0.09	0.10	0.11
		51-55	50-60	0.02	0.03	0.03	0.04	0.04	0.05	0.05	0.06	0.06	0.07	0.07	0.08	0.09	0.10
		56-62	40-50	0.01	0.02	0.02	0.03	0.03	0.04	0.04	0.05	0.05	0.06	0.06	0.07	0.08	0.09



### Case Study

Application	Internal Thread M4 X 0.7
Thread Depth	8.0 mm
Workpiece Material	Tool Steel: D2
Hardness	60-62 (HRC)
Cutter Description	MTSH06031C9 0.7 ISO
Machining Conditions	Cutting Speed: 44 m / min Feed: 0.03 mm / tooth
Machine	Mori Seiki VN5000
Control	Fanuc
Cooling Lubricant	Emulsion
Tool Life (No. of Threads)	84

## MTH type

**MT11** Sub-Micron Grade with advanced PVD triple coating.

ISO	Materials	Hardness HRc	Cutting Speed m/min	Feed mm/tooth								
				Cutting Diameter = D								
				Ø2.5	Ø3	Ø4	Ø5	Ø6	Ø7	Ø8	Ø9	Ø10
<b>S</b>	Nickel Alloys, Titanium Alloys and High Temp. Alloys		20-50	0.02	0.02	0.02	0.02	0.03	0.03	0.03	0.03	0.04
<b>H</b>	Hardened Steels Cast Iron	45-50	70-80	0.02	0.03	0.03	0.04	0.04	0.05	0.05	0.06	0.07
		51-55	60-70	0.01	0.02	0.02	0.03	0.03	0.04	0.04	0.05	0.06
		56-62	40-50	0.005	0.01	0.01	0.02	0.02	0.03	0.03	0.04	0.05

For cutters with long cutting length reduce feed rate by 40%

Positioning

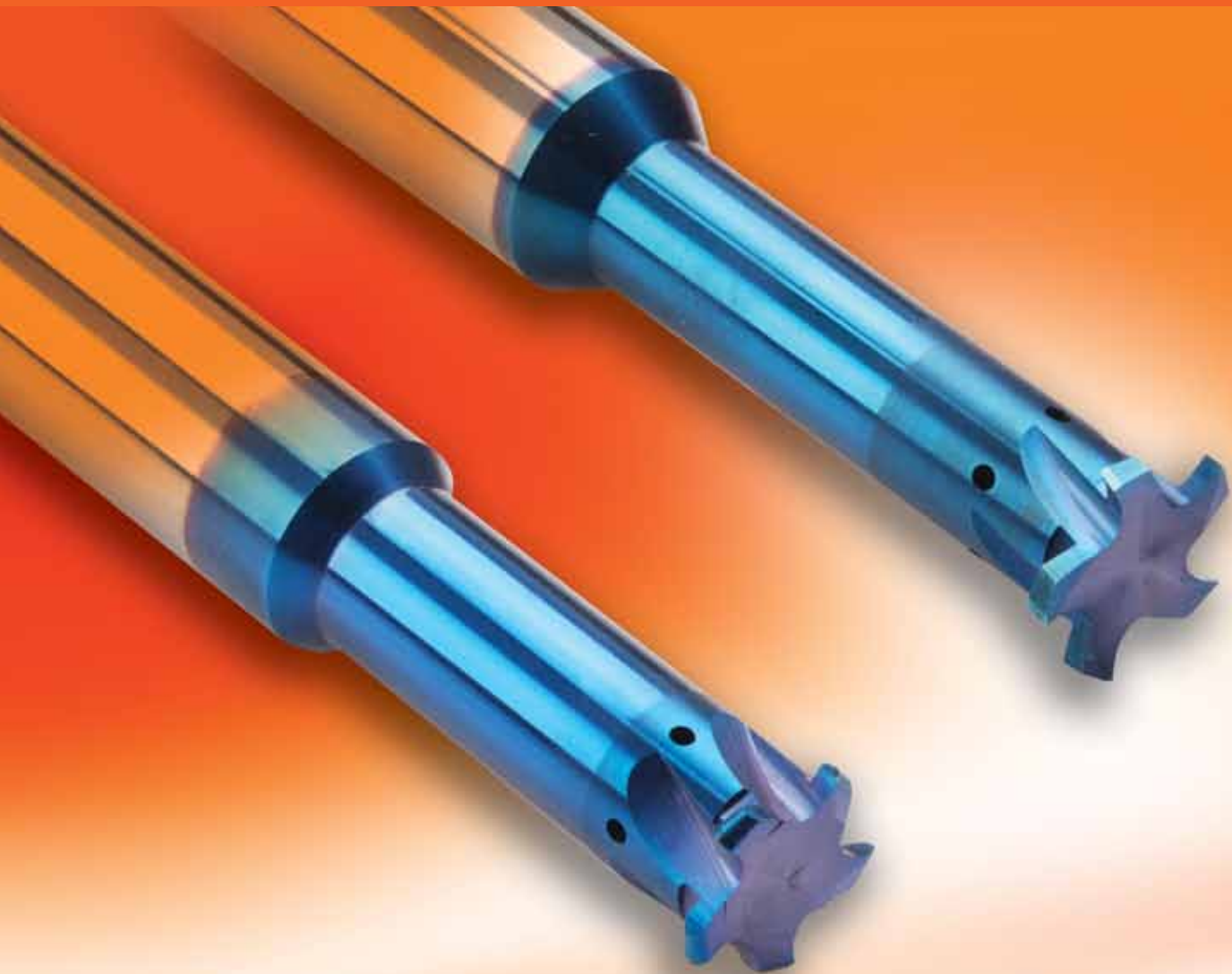
Thread Milling

Chamfering





# Solid Carbide Grooving Tools



## For Grooving Deep Parts

### Advantages

**Carbide grade: MT8** Sub-micron grade with advanced PVD triple coating (ISO K10-K20). Extremely high heat resistant and smooth cutting operation. For high performance and normal machining conditions. General purpose for all materials.

- Enables machining in deep holes
- Coolant through the flutes is very effective for deep holes.
- Spiral flutes allow smooth cutting action.
- Longer tool life due to special multi-layer coating.
- Shorter machining time due to multi (3 to 5) flutes.

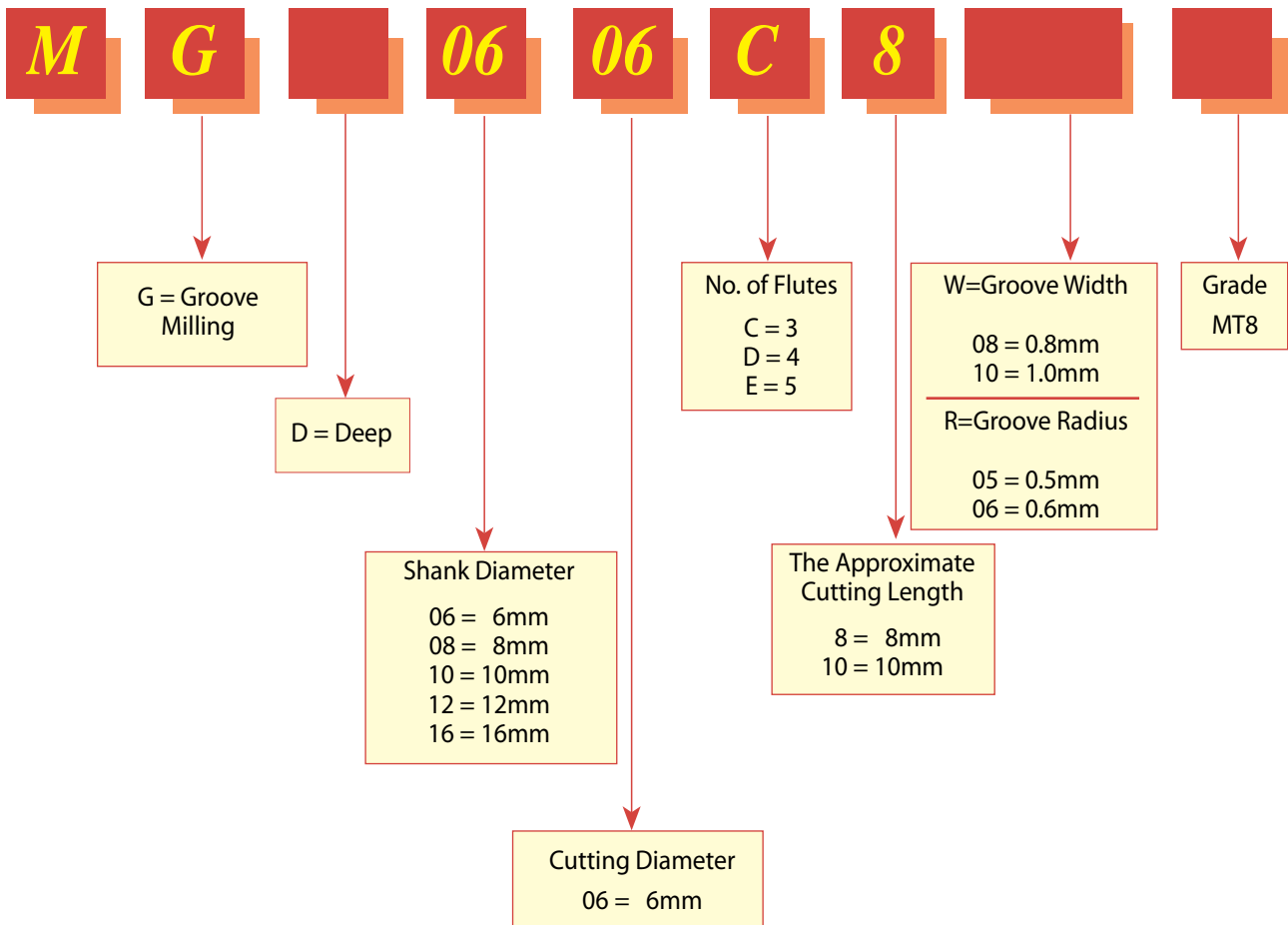
#### Contents:

#### Page:

Product Identification	268
Groove Milling with internal coolant through the flutes	269
Full Radius Groove Milling with internal coolant through the flutes	270
Deep Groove Milling	270

## Product Identification

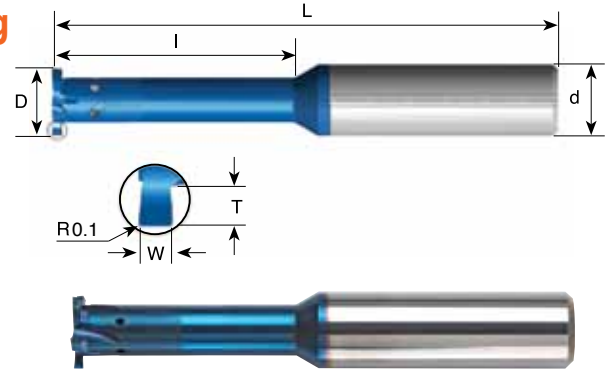
### Groove Milling Ordering Codes



## Groove Milling

with internal coolant through the flutes

Same Tool for Internal and External Grooving



For grooving deep parts

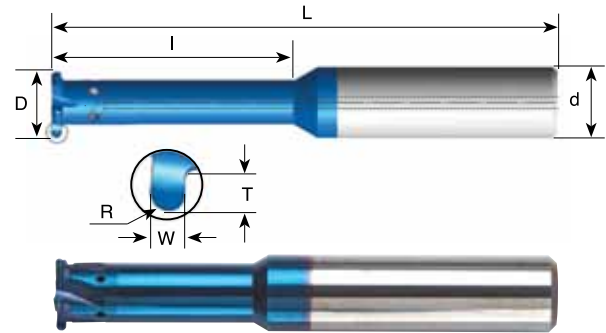
W ± 0.02	T Max.	Groove Dia. (min.) mm	Ordering Code	d	D	No. of Flutes	I	L
0.50	0.6	∅ > 4	*MG0604C4 W05	6	4.0	3	4.2	51
1.00	0.6	∅ > 4	*MG0604C4 W10	6	4.0	3	4.2	51
0.80	0.8	∅ > 6	MG0606C8 W08	6	6.0	3	8.0	58
1.00	1.0	∅ > 6	*MG0606C7 W10	6	6.0	3	7.0	58
1.50	1.0	∅ > 6	*MG0606C7 W15	6	6.0	3	7.0	58
1.00	1.2	∅ ≥ 7.8	MG08078D10 W10	8	7.8	4	10.0	64
1.50	1.5	∅ ≥ 7.8	MG08078D15 W15	8	7.8	4	15.0	64
2.00	1.5	∅ ≥ 7.8	MG08078D15 W20	8	7.8	4	15.0	64
1.20	1.4	∅ ≥ 9.8	MG10098D20 W12	10	9.8	4	20.0	73
1.50	2.0	∅ ≥ 9.8	MG10098D20 W15	10	9.8	4	20.0	73
2.00	2.0	∅ ≥ 9.8	MG10098D20 W20	10	9.8	4	20.0	73
1.50	2.2	∅ > 12	MG1212E30 W15	12	12.0	5	30.0	84
2.00	2.2	∅ > 12	MG1212E30 W20	12	12.0	5	30.0	84
3.00	2.2	∅ > 12	MG1212E30 W30	12	12.0	5	30.0	84
1.40	1.8	∅ > 16	MG1616E30 W14	16	16.0	5	30.0	101
1.70	2.0	∅ > 16	MG1616E40 W17	16	16.0	5	40.0	101
1.95	2.2	∅ > 16	MG1616E45 W19	16	16.0	5	45.0	101

Order example: MG 10098D20 W12 MT8

\* Tools without coolant

## Full Radius Groove Milling

with internal coolant through the flutes  
Same Tool for Internal and External Grooving



For grooving deep parts

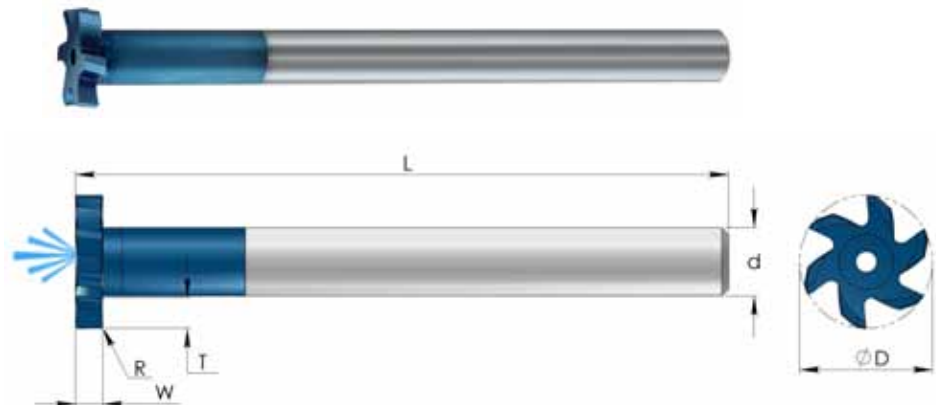
R	W ± 0.02	T Max.	Groove Dia. (min.)	Ordering Code	d	D	No. of Flutes	l	L
0.5	1.00	0.6	∅ > 4	*MG0604C4 R05	6	4.0	3	4.2	51
0.5	1.00	0.8	∅ > 6	MG0606C8 R05	6	6.0	3	8.0	58
0.75	1.50	1.0	∅ > 6	*MG0606C7 R075	6	6.0	3	7.0	58
0.5	1.00	1.0	∅ > 8.8	MG10088D16 R05	10	8.8	4	16.0	73
0.6	1.20	1.0	∅ > 10	MG1010D20 R06	10	10.0	4	20.0	73
0.75	1.50	2.0	∅ > 10	MG1010D20 R075	10	10.0	4	20.0	73
1.00	2.00	2.0	∅ > 10	MG1010D20 R10	10	10.0	4	20.0	73
0.9	1.80	1.4	∅ > 12	MG1212D30 R09	12	12.0	4	30.0	84
1.0	2.00	1.6	∅ > 16	MG1616E40 R10	16	16.0	5	40.0	101
1.5	3.00	2.2	∅ > 16	MG1616E40 R15	16	16.0	5	40.0	101

Order example: MG 1010D20 R06 MT8

\* Tools without coolant

## Deep Groove Milling

with internal coolant bore



Ordering Code	W ±0.02	R	T (max.)	Groove Dia. (min.)	d	D	No. of Flutes	L
MGD 10195 F W15	1.5	0.1	4.5	∅ > 19.5	10	19.4	6	133
MGD 10195 F W20	2.0	0.1	4.5	∅ > 19.5	10	19.4	6	133
MGD 10195 F W30	3.0	0.1	4.5	∅ > 19.5	10	19.4	6	133
MGD 10195 F W35	3.5	0.1	4.5	∅ > 19.5	10	19.4	6	133
MGD 10195 F W40	4.0	0.1	4.5	∅ > 19.5	10	19.4	6	133
MGD 10195 F W50	5.0	0.1	4.5	∅ > 19.5	10	19.4	6	133

# Mini Chamfer



## Advantages

**Carbide grade: MT8** Sub-micron grade with advanced PVD triple coating (ISO K10-K20). Extremely high heat resistant and smooth cutting operation, for high performance, and normal machining conditions. General purpose for all materials.

- Optimal for deburring, back chamfering and grooving.
- Double side cutting.
- Spiral flute allows smooth cutting action.

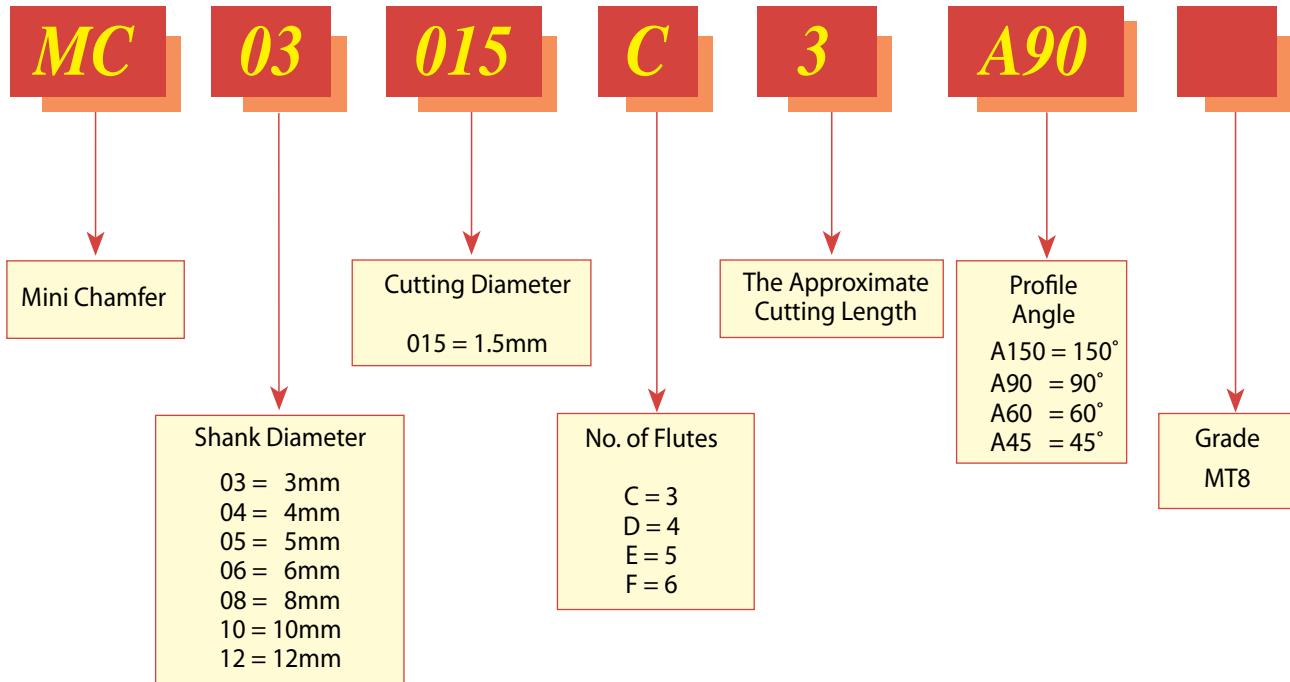
### Contents:

### Page:

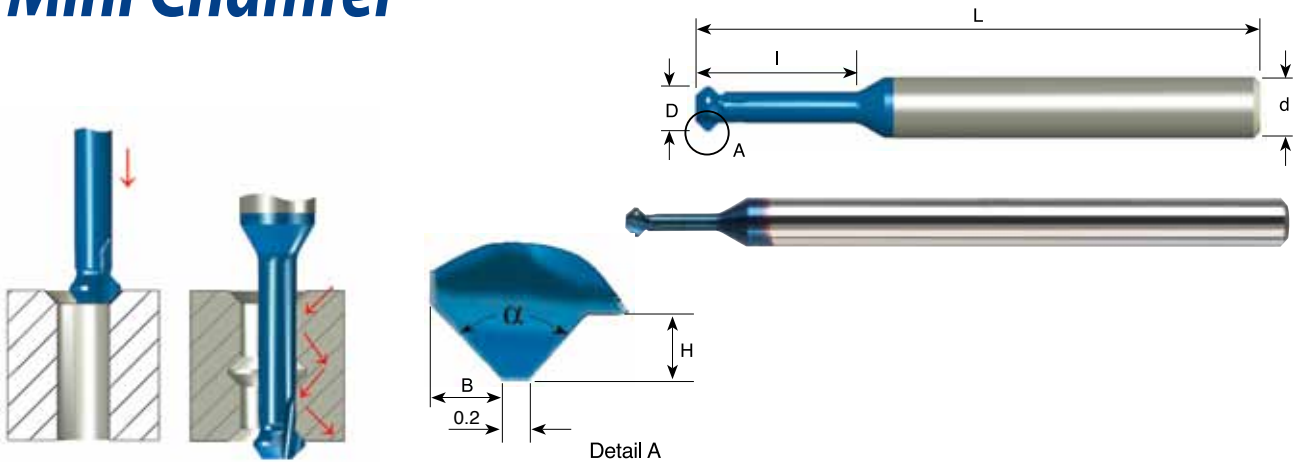
Product Identification	272
Mini Chamfer	273-274
Mini Chamfer Kit	275
Special Solid Carbide Tools	275

## Product Identification

### Mini Chamfer Ordering Codes



## Mini Chamfer



### 90°

Ordering Code	d	D	I	H	B	$\alpha$	No. of Flutes	L
MC03015C3 A90	3	1.5	3.8	0.3	0.4	90°	3	39
MC0302C5 A90	3	2.0	5.0	0.4	0.5	90°	3	39
MC03025C6 A90	3	2.5	6.3	0.5	0.6	90°	3	39
MC0303C7 A90	3	3.0	7.5	0.6	0.7	90°	3	39
MC04035C9 A90	4	3.5	8.8	0.7	0.8	90°	3	51
MC0404C10 A90	4	4.0	10.0	0.8	0.9	90°	3	51
MC05045C11 A90	5	4.5	11.3	1.0	1.1	90°	3	51
MC0505C12 A90	5	5.0	12.5	1.1	1.2	90°	3	51
MC06055C13 A90	6	5.5	13.8	1.2	1.3	90°	3	51
MC0606C15 A90	6	6.0	15.0	1.5	1.6	90°	3	51

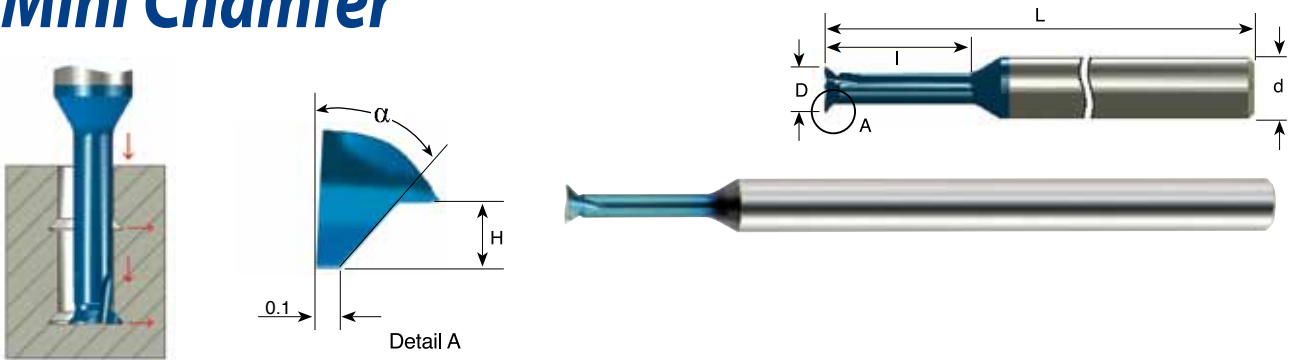
### Long Reach 90°

Ordering Code	d	D	I	H	B	$\alpha$	No. of Flutes	L
MC0303C12 A90	3	3.0	12.0	0.6	0.7	90°	3	39
MC04035C14 A90	4	3.5	14.0	0.7	0.8	90°	3	51
MC0404C16 A90	4	4.0	16.0	0.8	0.9	90°	3	51
MC0404C16L A90	4	4.0	16.0	0.8	0.9	90°	3	105
MC05045C18 A90	5	4.5	18.0	1.0	1.1	90°	3	51
MC0505C20 A90	5	5.0	20.0	1.1	1.2	90°	3	51
MC0505C20L A90	5	5.0	20.0	1.1	1.2	90°	3	105
MC06055C22 A90	6	5.5	22.0	1.2	1.3	90°	3	58
MC0606C24 A90	6	6.0	24.0	1.5	1.6	90°	3	58
MC0606C24L A90	6	6.0	24.0	1.5	1.6	90°	3	105
MC0808D28 A90	8	8.0	28.0	1.6	1.7	90°	4	64
MC0808D28L A90	8	8.0	28.0	1.6	1.7	90°	4	105
MC1010E35 A90	10	10.0	35.0	1.8	1.9	90°	5	73
MC1212F42 A90	12	12.0	42.0	2.1	2.2	90°	6	84

### 60°

Ordering Code	d	D	I	H	B	$\alpha$	No. of Flutes	L
MC0302C5 A60	3	2.0	5.0	0.4	0.3	60°	3	39
MC0303C7 A60	3	3.0	7.5	0.6	0.3	60°	3	39
MC04035C9 A60	4	3.5	8.8	0.7	0.5	60°	3	51
MC0404C10 A60	4	4.0	10.0	0.8	0.5	60°	3	51
MC05045C11 A60	5	4.5	11.3	1.0	0.6	60°	3	51
MC0505C12 A60	5	5.0	12.5	1.1	0.7	60°	3	51

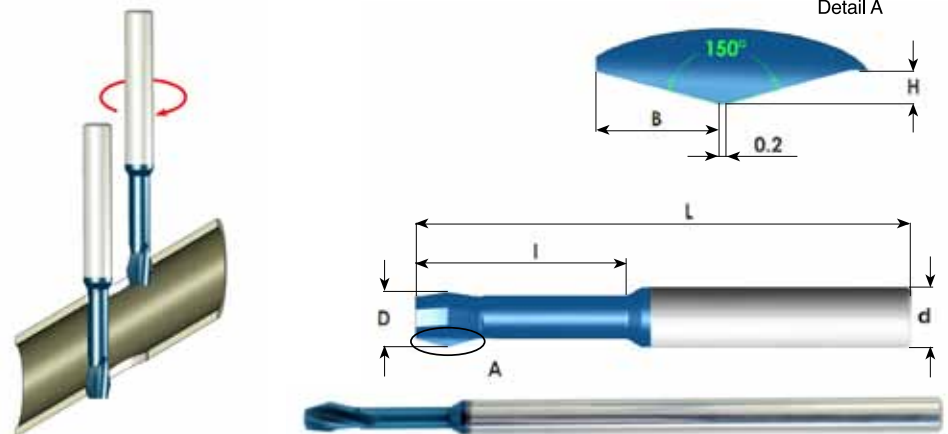
## Mini Chamfer



## Dovetail 45°\*

Ordering Code	d	D	I	H	$\alpha$	No. of Flutes	L
MC03015C4 A45	3	1.5	4.5	0.3	45°	3	39
MC0302C6 A45	3	2.0	6.0	0.4	45°	3	39
MC03025C7 A45	3	2.5	7.5	0.5	45°	3	39
MC0303C12 A45	3	3.0	12.0	0.6	45°	3	39
MC04035C14 A45	4	3.5	14.0	0.7	45°	3	51
MC0404C16 A45	4	4.0	16.0	0.8	45°	3	51
MC05045C18 A45	5	4.5	18.0	1.0	45°	3	51
MC0505C20 A45	5	5.0	20.0	1.1	45°	3	51
MC06055C22 A45	6	5.5	22.0	1.2	45°	3	58
MC0606C24 A45	6	6.0	24.0	1.5	45°	3	58

\* One side cutting



## 150°

Ordering Code	d	D	I	H	B	No. of Flutes	L
MC0303C12 A150	3	3.0	12.0	0.6	2.2	3	39
MC0404C16 A150	4	4.0	16.0	0.8	3.0	3	51
MC0404C16L A150	4	4.0	16.0	0.8	3.0	3	105
MC0505C20 A150	5	5.0	20.0	1.0	3.8	3	51
MC0505C20L A150	5	5.0	20.0	1.0	3.8	3	105
MC0606C24 A150	6	6.0	24.0	1.0	3.8	3	58
MC0606C24L A150	6	6.0	24.0	1.0	3.8	3	105
MC0808C28 A150	8	8.0	28.0	1.0	3.8	3	64
MC0808C28L A150	8	8.0	28.0	1.0	3.8	3	105

Order example: MC 0303 C12 A150 MT8



## Mini Chamfer Kit

Kit KMC	Qty
MC 0303 C12 A90	1
MC 03025 C6 A90	1
MC 0404 C10 A90	1
MC 04035 C9 A90	1
MC 05045 C11 A90	1
MC 0606 C24 A90	1



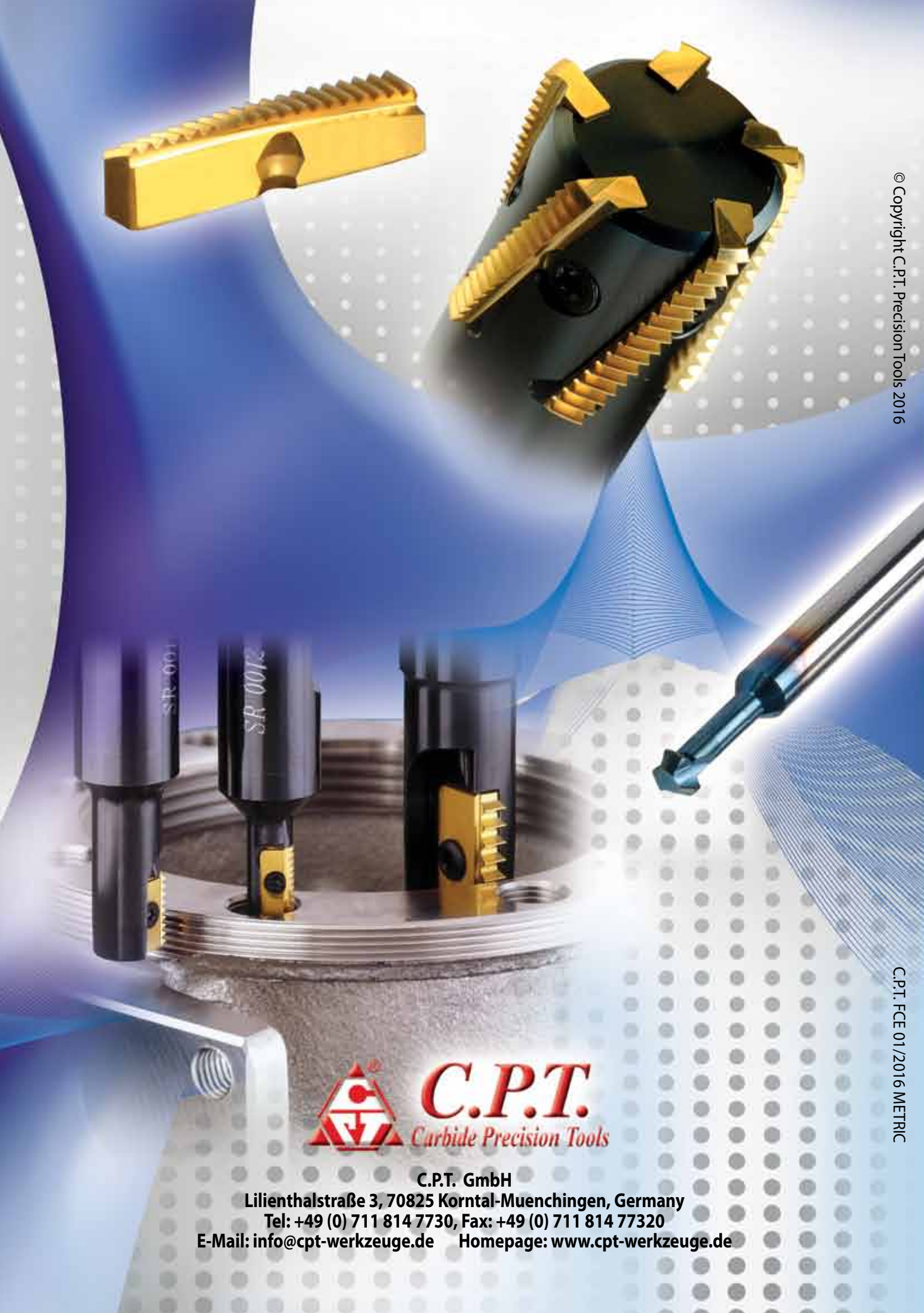
## Special Solid Carbide Tools



As part of being a service-orientated company, C.P.T. produces specials according to customer's requirements. Special tools are supplied in short delivery times.







**C.P.T.**  
*Carbide Precision Tools*

C.P.T. GmbH

Lilienthalstraße 3, 70825 Korntal-Muenchingen, Germany

Tel: +49 (0) 711 814 7730, Fax: +49 (0) 711 814 77320

E-Mail: [info@cpt-werkzeuge.de](mailto:info@cpt-werkzeuge.de) Homepage: [www.cpt-werkzeuge.de](http://www.cpt-werkzeuge.de)