



Section A4

This Price Schedule is effective February 3, 2020.
Accessories

Date	Page	Comment
2-3-20	All	February, 2020 Price Schedule update.

Table of Contents

Mounting Posts

Standard & Heavy-Duty Posts	4
Designer Style Posts	5
Kiosks	6

Transformers

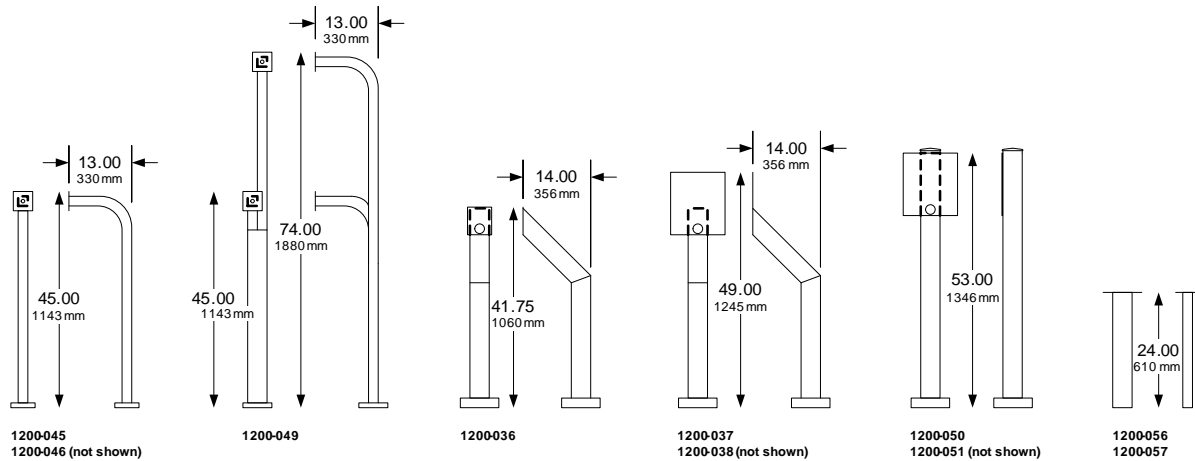
Transformer Box	7
Transformers	7

Surge Suppressers / Timers

Surge Suppressers	8
7-Day Timer	8

Mounting Posts

Standard & Heavy-Duty Posts



Standard Posts¹

1200-045 Pad Mount	270.00
1200-046 In-Ground Mount.....	270.00
1200-049 Dual Height Pad Mount.....	570.00

- Standard posts are constructed from 2 x 2 (51 mm) steel stock.
- In-ground mount posts do not have a baseplate and extend an additional 24 inches (610 mm) in length.

In-Ground Adapter

1200-057 (use with 1200-045).....	240.00
1200-056 (use with 1200-049).....	366.00

- In-ground adapters provide a mount for posts with a baseplate.

1802 Adapter Plate

1802-111.....	174.00
---------------	--------

- Use this plate with when mounting 1802, 1802-EPD and 1819 systems to these posts.

Note 1: Standard posts are not suitable for use with 1833, 1834, 1835 or 1837 systems. Use the Heavy-Duty or Designer Style mounting posts for these systems.

Heavy-Duty Posts

1200-036 Pad Mount ¹	592.00
1200-037 Pad Mount	632.00
1200-038 In-Ground Mount.....	546.00
1200-050 Pad Mount	520.00
1200-051 In-Ground Mount	464.00

- Heavy-duty posts are constructed from 4 x 4 (102 mm) steel stock.
- In-ground mount posts do not have a baseplate and extend an additional 24 inches (610 mm) in length.

Note 1: Not for use with 1833, 1834, 1835 or 1837 systems.

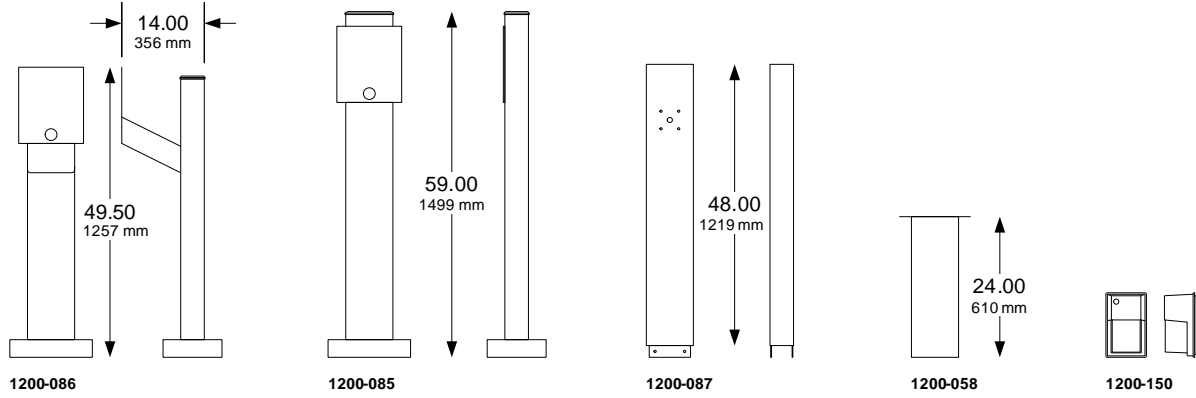
In-Ground Adapter

1200-056 (use with pad mount posts)	366.00
---	--------

- In-ground adapters provide a mount for posts with a baseplate.

Mounting Posts

Designer Style Mounting Posts

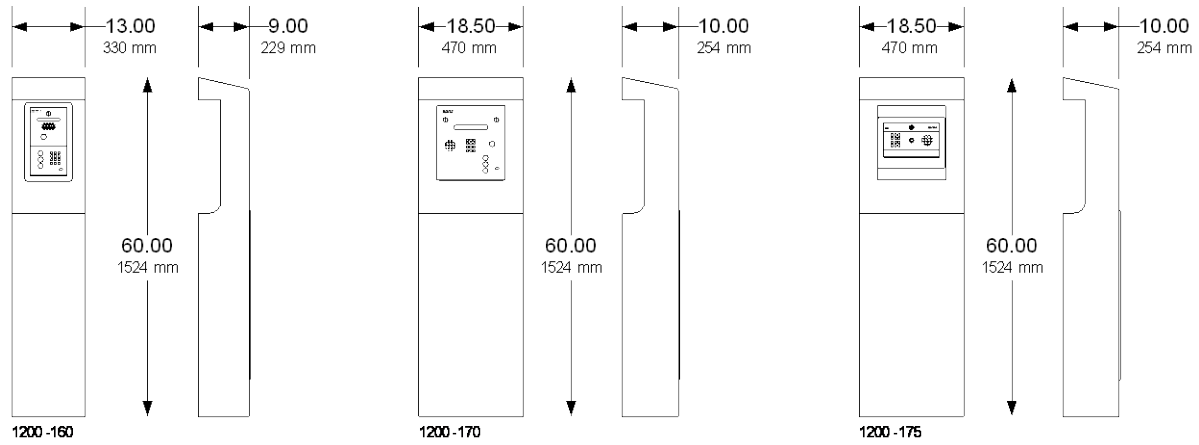


Designer Style Posts	
1200-085 Pad Mount.....	1810.00
1200-086 Pad Mount.....	1896.00
<ul style="list-style-type: none"> Standard posts are constructed from 4 x 8 (102 mm x 203 mm) steel stock. Electrical compartment has four (4) accessory outlets and room for surge suppressers and RF receiver. 	
In-Ground Adapter	
1200-058	748.00
<ul style="list-style-type: none"> In-ground adapters provide a mount for posts with a baseplate. 	
1802 Adapter Plate	
1802-111	174.00
<ul style="list-style-type: none"> Use this plate with when mounting 1802, 1802-EPD and 1819 systems to these posts. 	

Accessories	
1200-087 Light Tower Extension.....	736.00
1200-150 Light Assembly	494.00
<ul style="list-style-type: none"> Tower extension does not include light assembly. Fluorescent light with photocell for automatic dusk to dawn operation. 	
Replacement Post Cap	
1200-053.....	138.00

Mounting Posts

Kiosks



Kiosk Style Posts¹

1200-1604498.00

- Use with 1802 and 1802-EPD flush mount systems only.

1200-1704742.00

- Use with 1803, 1810, 1833, 1834, 1835 and 1837 flush mount systems 80 Series systems only.

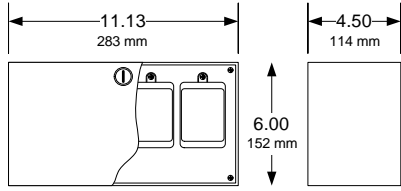
1200-1754742.00

- Use with 1812 Classic, 1812 Plus and 1812 Access Plus flush mount systems only.

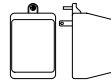
1. All kiosks include LED illumination and have an electrical compartment has four (4) accessory outlets and room for surge suppressers and RF receiver.

Transformers

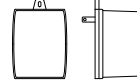
12, 16, 24 Volt AC & DC



1200-080



20 VA Transformers
 1804-059 24-Volt AC Output
 1804-060 16-Volt AC Output



40 VA Transformer
 1508-060 16-Volt AC Output



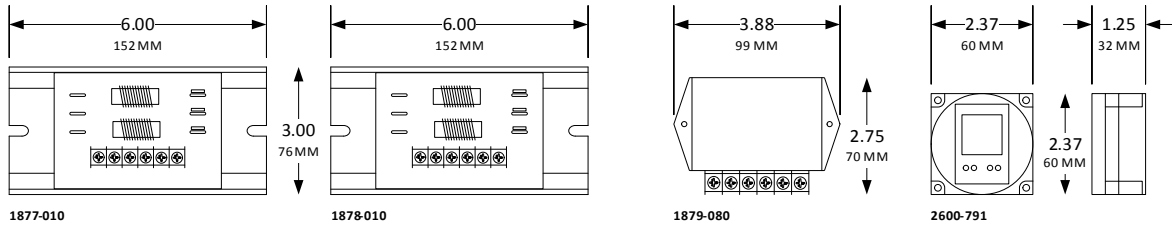
DC Transformers - Regulated
 1812-018 12-Volt 1A
 1812-136 24-Volt 1A

Transformer Box	
1200-080	246.00
<ul style="list-style-type: none"> • Holds up to four (4) 20-VA transformers. • Suitable for indoor or outdoor use. 	

20-VA Transformers	
1804-059 24-VAC	55.00
1804-060 16-VAC	55.00
40-VA Transformers	
1508-060 16-VAC	60.70
DC Transformers - Regulated	
1812-018 12-VDC, 1 A	54.20
1812-136 24-VDC, 1 A	67.44

Accessories

Timers / Surge Suppressors



Surge Suppressors	
1877-010 Phone Line	164.00
1878-010 Low Voltage (24 VAC)	164.00
1879-080 High Voltage (120 VAC).....	164.00

7-Day Timer	
2600-791	266.00
<ul style="list-style-type: none"> • 20 Programs. • 24 VAC. • Form C dry contact relay. 	