

## APM489-48 Moving Iron Meter

Moving Iron meters are suitable for measurement of true rms a.c. current or voltage.

### Technical Specifications

#### Input - Current

0-0.50A to 0-40A direct connected  
> 0-40A use CT or APM489-72/96 Iron Meter  
Freq: 50/60 Hz as standard. 400hz available.  
0-1A or 0-5A CT operated

#### Input - Voltage

Scales are non linear and calibrated down to 20% of full scale.  
Scaleplates are available in A or V as standard, % or any other ranges available on request

0-100V to 0-500V Direct connected  
Freq: 50/60 Hz as standard. 400hz available.

#### Display

Available in shortscale (90° sweep)  
And longscale (240° sweep)  
Class 1.5 (±1.5% max. error)

#### Burden

Ammeter: <1VA  
Voltmeter: <3VA

#### Customer Termination

The customer gains entry at the rear via 2 stud connectors

#### Environmental Conditions

Storage Temperature -40 to 70°C  
Operating Ambient -15 to 55°C

#### Enclosure

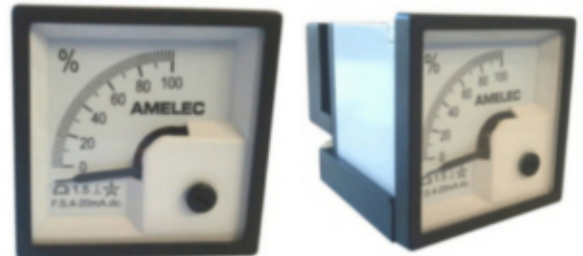
Flame retardant white ABS plastic case with black bezel. Case IP52 (IP65) to IEC529 and BS5490

#### Panel Fixing Detail

The customers panel cut out hole needs to be 45mm square with the enclosure held into the panel by clamp.  
The customers panel must be no more than 12mm thick

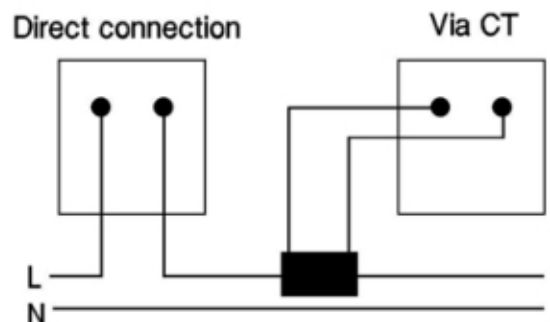
#### Note:-

Unit should only be removed from its enclosure from the front.

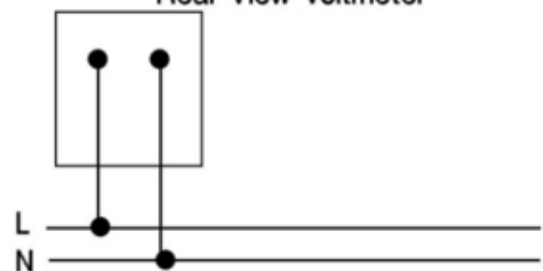


### WIRING

#### Rear View-Ammeters



#### Rear View-Voltmeter



#### Dimension:

Bezel size: 48 x 48 mm

Cutout Size: 45 x 45 mm

Depth: 83 mm including terminal cover

63 mm including terminals (no cover)

Weight: 140g