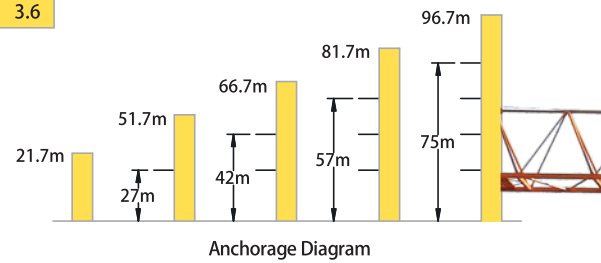


LC 160B Luffing Crane

10 t

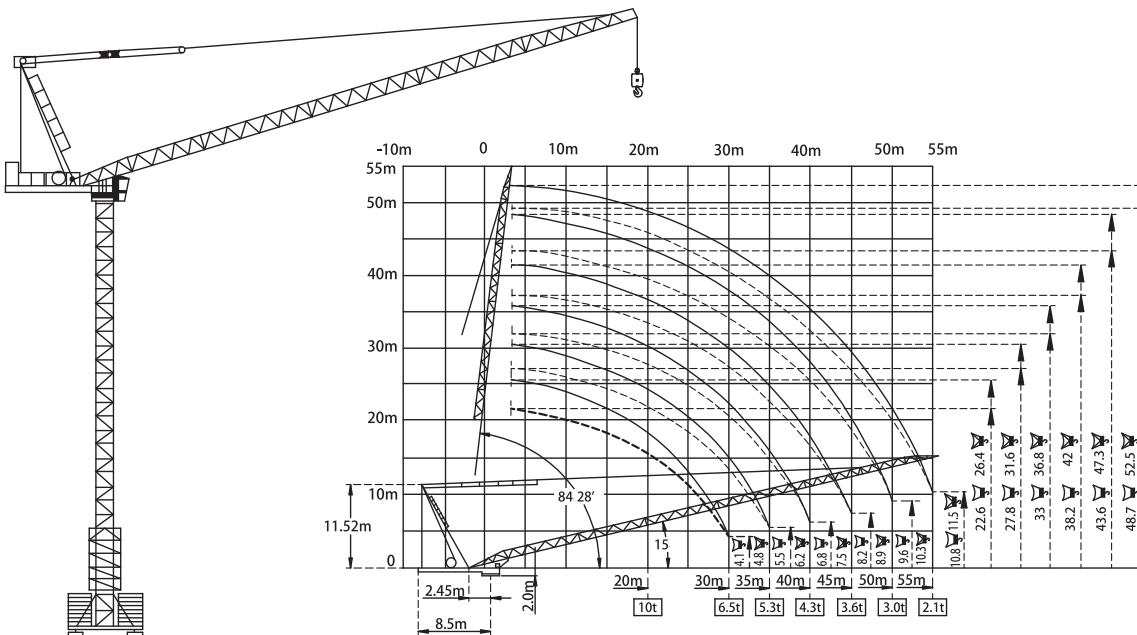
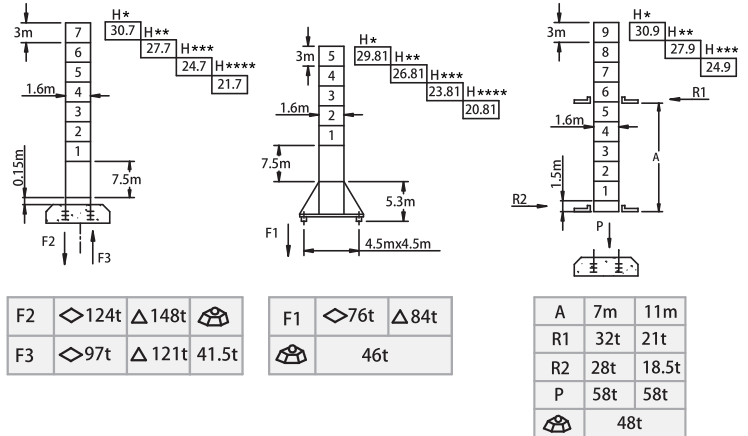
Load Capacity

Jib Length	Radius (m)	3.3~18.0	20	22	25	27	30	32	35	37	40	42	45	47	50	52	55
	55m	Hoisting Load (t)	10.0	8.6	7.6	6.5	5.8	5.0	4.6	4.1	3.8	3.5	3.2	2.9	2.7	2.5	2.3
		5.0						4.6	4.1	3.8	3.5	3.2	2.9	2.7	2.5	2.3	2.1
50m	Radius (m)	3.3~20.0	22	25	27	30	32	35	37	40	42	45	47	50			
	Hoisting Load (t)	10.0	8.7	7.5	6.8	6.0	5.5	5.0	4.7	4.2	3.8	3.5	3.2	3.0			
		5.0							4.7	4.2	3.8	3.5	3.2	3.0			
45m	Radius (m)	3.3~20.0	22	25	27	30	32	35	37	40	42	45					
	Hoisting Load (t)	10.0	9.0	7.7	7.0	6.2	5.7	5.1	4.7	4.2	4.0	3.6					
		5.0							4.7	4.2	4.0	3.6					
40m	Radius (m)	3.3~20.0	22	25	27	30	32	35	37	40							
	Hoisting Load (t)	10.0	9.1	7.8	7.1	6.2	5.7	5.1	4.8	4.3							
		5.0							4.8	4.3							
35m	Radius (m)	3.3~20.0	22	25	27	30	32	35									
	Hoisting Load (t)	10.0	9.2	8.0	7.2	6.4	5.9	5.3									
		5.0															



Specifications

Hoisting	No of Falls	☞			☞		
	Speed (m/min)	0 ~ 50	0 ~ 75	0 ~ 100	0 ~ 25	0 ~ 37.5	0 ~ 50
Hoisting Load (t)		5.0	3.0	2.0	10.0	6.0	4.0
Power (kw)		55	55	55	55	55	55
Slewing	Speed (rpm)	0 ~ 0.7					
	Power (kw)	2 x 9					
Travelling	Speed (m/min)	0 ~ 25					
	Power (kw)	4 x 3.4					
Luffing	Speed (m/min)	≤ 3.0					
	Power (kw)	37					
Main Supply		415V / 50Hz					
Electric Power		110kw (137.5 kVA)					



F Reaction ◇ In Service △ Out of Service ⊕ Dead weight without load and counter weights but with longest jib and free standing height.
 P Vertical Load H Free Standing Height Jib *30 - 35m *40 - 45m *50m *****55m