



AQUATHERM NORTH AMERICA PARTS GUIDE



aquatherm

we've got a pipe for that



THANKS FOR YOUR INTEREST IN AQUATHERM PARTS!

This is a companion piece to the **Aquatherm Design & Planning Guide (DPG)**. If you seek design information please see the **DPG**, and if you're looking to install Aquatherm, please see the **Aquatherm Installers Manual**. If it's parts you want, simply turn the page.

And if you have any questions whatsoever, simply contact your local Aquatherm Manufacturers Rep, call us at **801-805-6657** or visit **www.aquatherm.com** where you'll find all of the above literature and so much more. Thanks and we look forward to working with you.

The Aquatherm North America team

Please note: In keeping with the constant innovation of Aquatherm products, this guide is subject to periodic updates. The most current version of this guide can always be found at www.aquatherm.com and the information in the digital version always supersedes the print version.

TABLE OF CONTENTS

aquatherm blue pipe®

aquatherm green pipe®

aquatherm lilac pipe®

Fittings

Flanges

Couplings

PP-R to metal

Distributors

Valves

Tools

Note: Dimensional data for the fittings has been added to the Aquatherm Parts Guide. However, due to the ongoing expansion and improvement of the Aquatherm line, dimensions are occasionally modified to meet changing requirements or improve functionality. The online Parts Guide will provide the most current information. Please contact Aquatherm with any questions or discrepancies found between the Parts Guide and actual parts. Part numbers for configurations and fittings not shown here are available upon request.

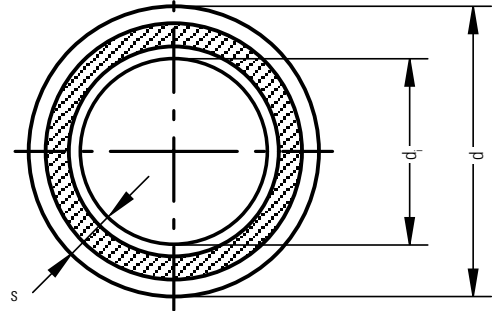
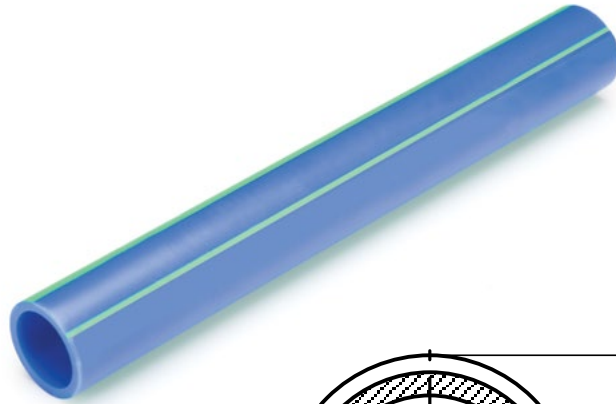
PRODUCT RANGE - PIPE

aquatherm blue pipe® SDR 7.4/11 MF

Material: fusiolen® PP-R faser-composite

In accordance with:

- NSF-14
- CSA-B137.11
- ICC AC 122
- ICC ESR 1613
- ASTM F 2389



Appearance: Blue with light green stripe.

NSF system certification: Including fittings, connection pieces, and connection techniques.

Fields of application: Heating and cooling applications, industrial applications, compressed air.

| Part no. | Pipe ^a Dimension (ND — OD) | Diameter ^b d (in) | Wall thickness s (in) | Internal diameter d _i (in) | Water capacity gal/ft | Weight ^c lb/ft | Weight w/ water lb/ft |
|--|--|---------------------------------|--------------------------|--|--------------------------|------------------------------|-----------------------------|
| 2670708 | ½" — 20 mm SDR 7.4 | 0.79 | 0.11 | 0.57 | 0.013 | 0.13 | 0.24 |
| 2670710 | ¾" — 25 mm SDR 7.4 | 0.98 | 0.13 | 0.71 | 0.021 | 0.20 | 0.37 |
| 2670112 | 1" — 32 mm SDR 11 | 1.26 | 0.11 | 1.03 | 0.043 | 0.19 | 0.55 |
| 2670114 | 1 ¼" — 40 mm SDR 11 | 1.57 | 0.14 | 1.29 | 0.068 | 0.29 | 0.85 |
| 2670116 | 1 ½" — 50 mm SDR 11 | 1.97 | 0.18 | 1.61 | 0.106 | 0.45 | 1.33 |
| 2670118 | 2" — 63 mm SDR 11 | 2.48 | 0.23 | 2.03 | 0.168 | 0.70 | 2.12 |
| 2670120 | 2 ½" — 75 mm SDR 11 | 2.95 | 0.27 | 2.42 | 0.238 | 1.00 | 2.98 |
| 2670122 | 3" — 90 mm SDR 11 | 3.54 | 0.32 | 2.90 | 0.343 | 1.44 | 4.29 |
| 2670124 | 3 ½" — 110 mm SDR 11 | 4.33 | 0.39 | 3.54 | 0.512 | 2.13 | 6.39 |
| 2670126 | 4" — 125 mm SDR 11 | 4.92 | 0.45 | 4.02 | 0.661 | 2.77 | 8.25 |
| 2670126x2 ^d | 4" — 125 mm SDR 11 (Double Length) | 4.92 | 0.45 | 4.02 | 0.661 | 2.77 | 8.25 |
| 2670126x3 ^e | 4" — 125 mm SDR 11 (Triple Length) | 4.92 | 0.45 | 4.02 | 0.661 | 2.77 | 8.25 |
| 2670130 | 6" — 160 mm SDR 11 | 6.30 | 0.57 | 5.16 | 1.084 | 4.52 | 13.6 |
| 2670130x2 ^f | 6" — 160 mm SDR 11 (Double Length) | 6.30 | 0.57 | 5.16 | 1.084 | 4.52 | 13.6 |
| 2670134 | 8" — 200 mm SDR 11 | 7.87 | 0.72 | 6.46 | 1.693 | 7.04 | 21.2 |
| 2670134x2 ^f | 8" — 200 mm SDR 11 (Double Length) | 7.87 | 0.72 | 6.46 | 1.693 | 7.04 | 21.2 |
| 2670138 | 10" — 250 mm SDR 11 | 9.84 | 0.89 | 8.07 | 2.646 | 11.0 | 33.1 |
| 2670138x2 ^f | 10" — 250 mm SDR 11 (Double Length) | 12.4 | 0.89 | 8.07 | 2.646 | 11.0 | 33.1 |
| 2070142 | 12" — 315 mm SDR 11 | 12.4 | 1.13 | 10.2 | 4.201 | 17.3 | 52.3 |
| 2070142x2 ^f | 12" — 315 mm SDR 11 (Double Length) | 14.0 | 1.13 | 10.2 | 4.201 | 17.3 | 52.3 |
| 2070144 | 14" — 355 mm SDR 11 | 14.0 | 1.27 | 11.4 | 5.335 | 22.2 | 66.5 |
| 2070144x2 ^f | 14" — 355 mm SDR 11 (Double Length) | 15.8 | 1.27 | 11.4 | 5.335 | 22.2 | 66.5 |
| 2070146 | 16" — 400 mm SDR 11 | 15.8 | 1.43 | 12.9 | 6.773 | 27.8 | 84.1 |
| 2070148 | 18" — 450 mm SDR 11 | 17.7 | 1.61 | 14.5 | 8.573 | 35.2 | 107 |
| The following items are supplied in coils: | | | | | | | |
| 2610308 | ½" — 20 mm SDR 11 (100 m or 328' length coils) | 0.79 | 0.07 | 0.65 | 0.017 | 0.07 | 0.21 |
| 2610310 | ¾" — 25 mm SDR 11 (100 m or 328' length coils) | 0.98 | 0.09 | 0.81 | 0.026 | 0.11 | 0.33 |
| 2610312 | 1" — 32 mm SDR 11 (50 m or 164' length coils) | 1.26 | 0.11 | 1.03 | 0.043 | 0.17 | 0.53 |

^a ½" - 4" pipes come in standard 13 ft lengths (4 m). Pipes 6" and larger come in standard 19 ft lengths (5.8 m).

^b To calculate dimensions of the pipe in millimeters, multiply the imperial inches measurement by 25.4.

^c To calculate the weight of the pipe in kg/m, multiply the measurement by 1.5.

^d Pipe comes in 26 ft lengths.

^e Pipe comes in 39 ft lengths.

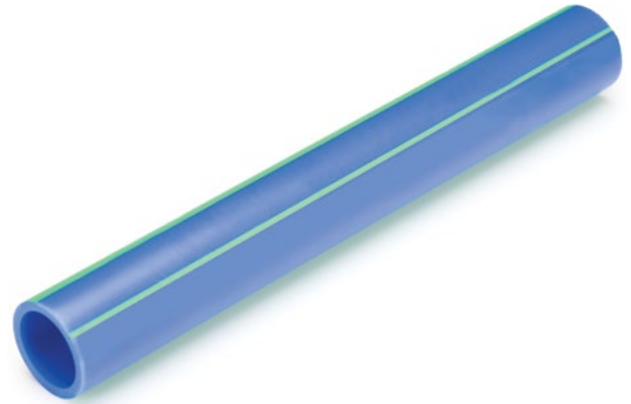
^f Pipe comes in 38 ft lengths.

aquatherm blue pipe® SDR 9 MF

Material: fusiolen® PP-RP (RCT) faser-composite

In accordance with:

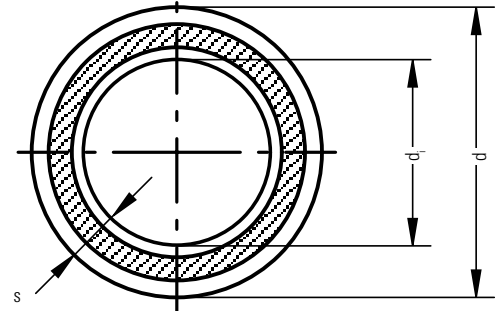
- NSF-14
- CSA-B137.11
- ICC AC 122
- ICC ESR 1613
- ASTM F 2389



Appearance: Blue with light green stripe.

NSF system certification: Including fittings, connection pieces, and connection techniques.

Fields of application: Heating and cooling applications, industrial applications, compressed air.



| Pipe ^a | | Diameter ^b | Wall thickness | | Internal diameter | Water capacity | Weight ^c | Weight w/ water |
|-------------------|---------------------|-----------------------|----------------|--|-------------------|----------------|---------------------|-----------------|
| Part no. | Dimension (ND — OD) | d (in) | s (in) | | d (in) | gal/ft | lb/ft | lb/ft |
| 1970712 | 1" — 32 mm SDR 9 | 1.26 | 0.14 | | 0.98 | 0.039 | 0.22 | 0.55 |
| 1970714 | 1 ¼" — 40 mm SDR 9 | 1.57 | 0.18 | | 1.22 | 0.061 | 0.35 | 0.85 |
| 1970716 | 1 ½" — 50 mm SDR 9 | 1.97 | 0.22 | | 1.53 | 0.095 | 0.54 | 1.33 |
| 1970718 | 2" — 63 mm SDR 9 | 2.48 | 0.28 | | 1.92 | 0.151 | 0.85 | 2.11 |
| 1970720 | 2 ½" — 75 mm SDR 9 | 2.95 | 0.33 | | 2.29 | 0.214 | 1.20 | 2.99 |
| 1970722 | 3" — 90 mm SDR 9 | 3.54 | 0.40 | | 2.75 | 0.308 | 1.73 | 4.30 |
| 1970724 | 3 ½" — 110 mm SDR 9 | 4.33 | 0.48 | | 3.36 | 0.461 | 2.56 | 6.41 |
| 1970726 | 4" — 125 mm SDR 9 | 4.92 | 0.55 | | 3.82 | 0.595 | 3.31 | 8.27 |
| 1970730 | 6" — 160 mm SDR 9 | 6.30 | 0.70 | | 4.89 | 0.975 | 5.41 | 13.5 |
| 1970734 | 8" — 200 mm SDR 9 | 7.87 | 0.88 | | 6.11 | 1.522 | 8.45 | 21.2 |
| 1970738 | 10" — 250 mm SDR 9 | 9.84 | 1.10 | | 7.65 | 2.384 | 13.2 | 33.0 |
| 1970742 | 12" — 315 mm SDR 9 | 12.4 | 1.39 | | 9.63 | 3.782 | 20.9 | 52.5 |
| 1970744 | 14" — 355 mm SDR 9 | 14.0 | 1.56 | | 10.9 | 4.801 | 26.5 | 66.6 |

^a ½" - 4" pipes come in standard 13 ft lengths (4 m). Pipes 6" and larger come in standard 19 ft lengths (5.8 m).

^b To calculate dimensions of the pipe in millimeters, multiply the imperial inches measurement by 25.4.

^c To calculate the weight of the pipe in kg/m, multiply the measurement by 1.5.

PRODUCT RANGE - PIPE

aquatherm blue pipe® SDR 17.6 MF

Material: fusiolen® PP-R faser-composite

In accordance with:

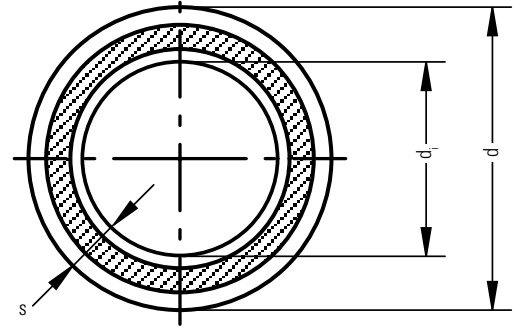
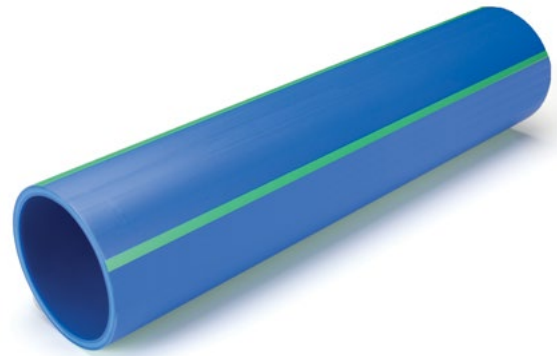
- NSF-14
- CSA-B137.11
- ICC AC 122
- ICC ESR 1613
- ASTM F 2389



Appearance: Blue with light green stripe.

NSF system certification: Including fittings, connection pieces, and connection techniques.

Fields of application: Cooling distribution, condenser water, industrial applications, compressed air, and limited heating applications.



| Pipe ^a | | Diameter ^b | Wall thickness | Internal diameter | Water capacity | Weight ^c | Weight w/ water |
|------------------------|------------------------------|-----------------------|----------------|---------------------|----------------|---------------------|-----------------|
| Part no. | Dimension (ND — OD) | d (in) | s (in) | d _i (in) | gal/ft | lb/ft | lb/ft |
| 2570126 | 4" — 125 mm | 4.92 | 0.28 | 4.37 | 0.776 | 1.92 | 8.41 |
| 2570126x2 ^d | 4" — 125 mm (Double Length) | 4.92 | 0.28 | 4.37 | 0.776 | 1.92 | 8.41 |
| 2570126x3 ^e | 4" — 125 mm (Triple Length) | 4.92 | 0.28 | 4.37 | 0.776 | 1.92 | 8.41 |
| 2570130 | 6" — 160 mm | 6.30 | 0.36 | 5.59 | 1.272 | 2.93 | 13.5 |
| 2570130x2 ^f | 6" — 160 mm (Double Length) | 6.30 | 0.36 | 5.59 | 1.272 | 2.93 | 13.5 |
| 2570134 | 8" — 200 mm | 7.87 | 0.45 | 6.97 | 1.987 | 4.57 | 22.0 |
| 2570134x2 ^f | 8" — 200 mm (Double Length) | 7.87 | 0.45 | 6.97 | 1.987 | 4.57 | 22.0 |
| 2570138 | 10" — 250 mm | 9.84 | 0.56 | 8.74 | 3.105 | 7.10 | 33.0 |
| 2570138x2 ^f | 10" — 250 mm (Double Length) | 9.84 | 0.56 | 8.74 | 3.105 | 7.10 | 33.0 |
| 2570142 | 12" — 315 mm | 12.4 | 0.70 | 11.0 | 4.930 | 11.3 | 52.3 |
| 2570142x2 ^f | 12" — 315 mm (Double Length) | 12.4 | 0.70 | 11.0 | 4.930 | 11.3 | 52.3 |
| 2570144 | 14" — 355 mm | 14.0 | 0.79 | 12.4 | 6.261 | 14.3 | 66.5 |
| 2570144x2 ^f | 14" — 355 mm (Double Length) | 14.0 | 0.79 | 12.4 | 6.261 | 14.3 | 66.5 |
| 2570146 | 16" — 400 mm | 15.8 | 0.89 | 14.0 | 7.949 | 18.1 | 84.4 |
| 2570146x2 ^f | 16" — 400 mm (Double Length) | 15.8 | 0.89 | 14.0 | 7.949 | 18.1 | 84.4 |
| 2570148 | 18" — 450 mm | 17.7 | 1.00 | 15.8 | 10.061 | 22.9 | 107 |
| 2570148x2 ^f | 18" — 450 mm (Double Length) | 17.7 | 1.00 | 15.8 | 10.061 | 22.9 | 107 |
| 2570150 | 20" — 500 mm | 19.7 | 1.12 | 17.4 | 12.421 | 28.3 | 132 |
| 2570150x2 ^f | 20" — 500 mm (Double Length) | 19.7 | 1.12 | 17.4 | 12.421 | 28.3 | 132 |
| 2570152 | 22" — 560 mm | 22.1 | 1.25 | 19.6 | 15.581 | 35.3 | 165 |
| 2570154 | 24" — 630 mm | 24.8 | 1.41 | 22.0 | 19.719 | 44.7 | 209 |
| 2570154x2 ^e | 24" — 630 mm (Double Length) | 24.8 | 1.41 | 22.0 | 19.719 | 44.7 | 209 |

^a ½" - 4" pipes come in standard 13 ft lengths (4 m). Pipes 6" and larger come in standard 19 ft lengths (5.8 m).

^b To calculate dimensions of the pipe in millimeters, multiply the imperial inches measurement by 25.4.

^c To calculate the weight of the pipe in kg/m, multiply the measurement by 1.5.

^d Pipe comes in 26 ft lengths.

^e Pipe comes in 39 ft lengths.

^f Pipe comes in 38 ft lengths.

aquatherm blue pipe® SDR 7.4/11 MF UV

Material: fusiolen® PP-R

In accordance with:

- NSF-14
- CSA-B137.11
- ICC AC 122
- ICC ESR 1613
- ASTM F 2389

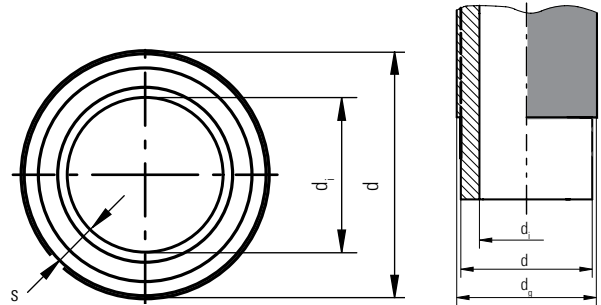


Appearance: Light blue with black exterior.

NSF system certification: Including fittings, connection pieces and connection techniques.

Fields of application: All the same applications as the standard aquatherm blue pipe® SDR 11 MF, but for installations where the pipe is exposed to UV radiation.

Note: Because these parts are not stocked in large numbers, please contact Aquatherm for details about your order. Pipe will not have NA listing marks on it, but can be special ordered with the marking.



| Part no. | Pipe ^a Dimension (ND — OD) | Diameter ^b d (in) | Wall thickness s (in) | Internal diameter d _i (in) | (d) total d _g (in) | Water capacity gal/ft | Weight ^c lb/ft | Weight w/ water lb/ft |
|----------|--|---------------------------------|--------------------------|--|----------------------------------|--------------------------|------------------------------|--------------------------|
| 2670758 | ½" — 20 mm SDR 7.4 | 0.79 | 0.11 | 0.57 | 0.87 | 0.013 | 0.14 | 0.25 |
| 2670760 | ¾" — 25 mm SDR 7.4 | 0.98 | 0.14 | 0.71 | 1.06 | 0.024 | 0.21 | 0.38 |
| 2670162 | 1" — 32 mm SDR 11 | 1.26 | 0.11 | 1.03 | 1.34 | 0.043 | 0.23 | 0.59 |
| 2670164 | 1 ¼" — 40 mm SDR 11 | 1.57 | 0.14 | 1.29 | 1.65 | 0.067 | 0.37 | 0.93 |
| 2670166 | 1 ½" — 50 mm SDR 11 | 1.97 | 0.18 | 1.61 | 2.05 | 0.105 | 0.55 | 1.43 |
| 2670168 | 2" — 63 mm SDR 11 | 2.48 | 0.23 | 2.03 | 2.56 | 0.167 | 0.84 | 2.24 |
| 2670170 | 2 ½" — 75 mm SDR 11 | 2.95 | 0.27 | 2.42 | 3.03 | 0.237 | 1.15 | 3.13 |
| 2670172 | 3" — 90 mm SDR 11 | 3.54 | 0.32 | 2.90 | 3.62 | 0.343 | 1.67 | 4.52 |
| 2670174 | 3 ½" — 110 mm SDR 11 | 4.33 | 0.39 | 3.54 | 4.41 | 0.512 | 2.48 | 6.74 |
| 2670176 | 4" — 125 mm SDR 11 | 4.92 | 0.45 | 4.02 | 5.00 | 0.661 | 3.14 | 8.62 |
| 2670180 | 6" — 160 mm SDR 11 | 6.30 | 0.57 | 5.16 | 6.38 | 1.082 | 5.05 | 14.1 |
| 2670184 | 8" — 200 mm SDR 11 | 7.87 | 0.72 | 6.46 | 7.95 | 1.692 | 7.67 | 21.8 |
| 2670188 | 10" — 250 mm SDR 11 | 9.84 | 0.89 | 8.07 | 9.92 | 2.646 | 11.9 | 34.0 |

^a ½" - 4" pipes come in standard 13 ft lengths (4 m). Pipes 6" and larger come in standard 19 ft lengths (5.8 m).

^b To calculate dimensions of the pipe in millimeters, multiply the imperial inches measurement by 25.4.

^c To calculate the weight of the pipe in kg/m, multiply the measurement by 1.5.

PRODUCT RANGE - PIPE

aquatherm blue pipe® SDR 17.6 MF UV

Material: fusiolen® PP-R

In accordance with:

- NSF-14
- CSA-B137.11
- ICC AC 122
- ICC ESR 1613
- ASTM F 2389

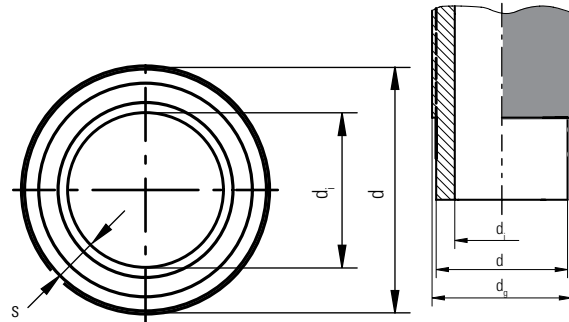


Appearance: Light blue with black exterior.

NSF system certification: Including fittings, connection pieces and connection techniques.

Fields of application: All the same applications as the standard aquatherm blue pipe® SDR 17.6 MF, but for installations where the pipe is exposed to UV radiation.

Note: Because these parts are not stocked in large numbers, please contact Aquatherm for details about your order. Pipe will not have NA listing marks on it, but can be special ordered with the marking.



| Pipe ^a | | Diameter ^b | Wall thickness | Internal diameter | (d) total | Water capacity | Weight ^c | Weight w/ water |
|-------------------|---------------------|-----------------------|----------------|-------------------|-----------|----------------|---------------------|-----------------|
| Part no. | Dimension (ND — OD) | d (in) | s (in) | di (in) | do (in) | gal/ft | lb/ft | lb/ft |
| 2570180 | 6" — 160 mm | 6.30 | 0.36 | 5.59 | 6.38 | 1.272 | 3.28 | 13.9 |
| 2570184 | 8" — 200 mm | 7.87 | 0.45 | 6.97 | 7.95 | 1.987 | 5.09 | 21.6 |
| 2570188 | 10" — 250 mm | 9.84 | 0.56 | 8.74 | 9.92 | 3.105 | 7.68 | 33.6 |
| 2570192 | 12" — 315 mm | 12.4 | 0.70 | 11.0 | 12.5 | 4.930 | 12.0 | 53.0 |
| 2570194 | 14" — 355 mm | 14.0 | 0.79 | 12.4 | 14.1 | 6.261 | 15.1 | 67.3 |
| 2570196 | 16" — 400 mm | 15.8 | 0.89 | 14.0 | 15.9 | 7.949 | 19.1 | 85.4 |
| 2570198 | 18" — 450 mm | 17.7 | 1.00 | 15.8 | 17.8 | 10.061 | 24.0 | 108 |
| 2570200 | 20" — 500 mm | 19.7 | 1.12 | 17.4 | 19.8 | 12.421 | 29.6 | 133 |
| 2570202 | 22" — 560 mm | 22.1 | 1.25 | 19.6 | 22.1 | 15.581 | 36.9 | 167 |
| 2570204 | 24" — 630 mm | 24.8 | 1.41 | 22.0 | 24.9 | 19.719 | 46.5 | 211 |

^a Pipes 6" and larger come in standard 19 ft lengths (5.8 m).

^b To calculate dimensions of the pipe in millimeters, multiply the imperial inches measurement by 25.4.

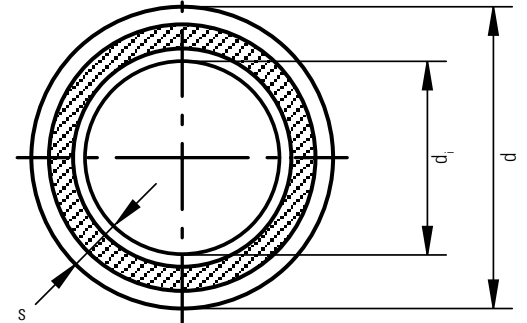
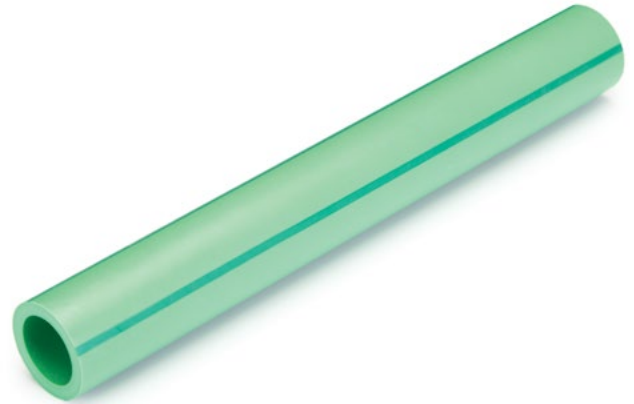
^c To calculate the weight of the pipe in kg/m, multiply the measurement by 1.5.

aquatherm green pipe® SDR 7.4 MF

Material: fusiolen® PP-R faser-composite

In accordance with:

- NSF 14, 51 & 61
- CSA-B137.11
- ICC AC 122
- ICC ESR 1613
- ASTM F2389
- CFIA #A508
- FM 1635
- NFPA 13D



Appearance: Light green with dark green stripe.

NSF system certification: Including fittings, connection pieces, and connection techniques.

Fields of application: For high temperature, moderate pressure systems, particularly domestic hot water systems.

| Pipe ^a | | Diameter ^b | Wall thickness | Internal diameter | Water capacity | Weight ^c | Weight w/ water |
|------------------------|------------------------------|-----------------------|----------------|---------------------|----------------|---------------------|-----------------|
| Part no. | Dimension (ND — OD) | d (in) | s (in) | d _i (in) | gal/ft | lb/ft | lb/ft |
| 0670708 | ½" — 20 mm | 0.79 | 0.11 | 0.57 | 0.013 | 0.11 | 0.22 |
| 0670710 | ¾" — 25 mm | 0.98 | 0.14 | 0.71 | 0.021 | 0.17 | 0.34 |
| 0670712 | 1" — 32 mm | 1.26 | 0.17 | 0.91 | 0.034 | 0.27 | 0.56 |
| 0670714 | 1 ¼" — 40 mm | 1.57 | 0.22 | 1.14 | 0.054 | 0.41 | 0.84 |
| 0670716 | 1 ½" — 50 mm | 1.97 | 0.27 | 1.43 | 0.084 | 0.64 | 1.31 |
| 0670718 | 2" — 63 mm | 2.48 | 0.34 | 1.80 | 0.134 | 1.00 | 2.11 |
| 0670720 | 2 ½" — 75 mm | 2.95 | 0.41 | 1.79 | 0.189 | 1.42 | 3.00 |
| 0670722 | 3" — 90 mm | 3.54 | 0.48 | 2.57 | 0.273 | 2.04 | 4.31 |
| 0670724 | 3 ½" — 110 mm | 4.33 | 0.59 | 3.14 | 0.407 | 3.04 | 7.33 |
| 0670726 | 4" — 125 mm | 4.92 | 0.67 | 3.57 | 0.526 | 4.17 | 8.55 |
| 0670730 | 6" — 160 mm | 6.30 | 0.86 | 4.57 | 0.862 | 6.55 | 13.8 |
| 0670730x2 ^d | 6" — 160 mm (Double Length) | 6.30 | 0.886 | 4.57 | 0.862 | 6.55 | 13.8 |
| 0670734 | 8" — 200 mm | 7.87 | 1.08 | 5.72 | 1.347 | 10.1 | 21.3 |
| 0670734x2 ^e | 8" — 200 mm (Double Length) | 7.87 | 1.08 | 5.72 | 1.347 | 10.1 | 21.3 |
| 0670738 | 10" — 250 mm | 9.84 | 1.35 | 7.15 | 2.105 | 15.8 | 33.2 |
| 0670738x2 ^e | 10" — 250 mm (Double Length) | 9.84 | 1.35 | 7.15 | 2.105 | 15.8 | 33.2 |

^a ½" - 4" pipes come in standard 13 ft lengths (4 m). Pipes 6" and larger come in standard 19 ft lengths (5.8 m).

^b To calculate dimensions of the pipe in millimeters, multiply the imperial inches measurement by 25.4.

^c To calculate the weight of the pipe in kg/m, multiply the measurement by 1.5.

^d Pipe comes in 26 ft lengths.

^e Pipe comes in 38 ft lengths.

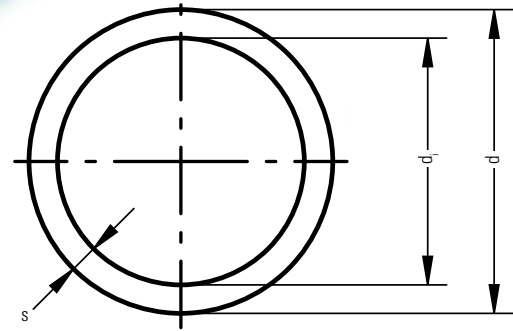
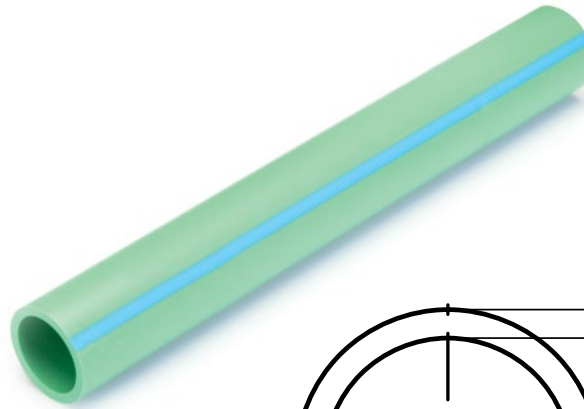
PRODUCT RANGE - PIPE

aquatherm green pipe® SDR 7.4/11 S

Material: fusiole® PP-R

In accordance with:

- NSF-14
- NSF-51
- NSF-61
- CSA-B137.11
- ICC AC 122
- ICC ESR 1613
- ASTM F 2389
- CFIA #A508



Appearance: Light green with light blue stripe.

NSF system certification: Including fittings, connection pieces, and connection techniques.

Fields of application: Potable water, preferably domestic cold. Low pressure installations, such as well casings, food processing, and more.

| Part no. | Pipe ^a Dimension (ND — OD) | Diameter ^b d (in) | Wall thickness s (in) | Internal diameter d _i (in) | Water capacity gal/ft | Weight ^c lb/ft | Weight w/ water lb/ft |
|--|---|---------------------------------|--------------------------|--|--------------------------|------------------------------|-----------------------------|
| 0610808 | ½" — 20 mm SDR 7.4 (non-MF) | 0.79 | 2.70 | 0.57 | 0.013 | 0.10 | 0.21 |
| 0610810 | ¾" — 25 mm SDR 7.4 (non-MF) | 0.98 | 3.38 | 0.72 | 0.021 | 0.16 | 0.33 |
| 0610212 | 1" — 32 mm SDR 11 | 1.26 | 2.90 | 1.03 | 0.043 | 0.18 | 0.54 |
| 0610214 | 1 ¼" — 40 mm SDR 11 | 1.57 | 3.70 | 1.28 | 0.068 | 0.28 | 0.84 |
| 0610216 | 1 ½" — 50 mm SDR 11 | 1.97 | 4.60 | 1.61 | 0.106 | 0.43 | 1.31 |
| 0610218 | 2" — 63 mm SDR 11 | 2.48 | 5.80 | 2.02 | 0.168 | 0.68 | 2.08 |
| 0610220 | 2 ½" — 75 mm SDR 11 | 2.95 | 6.80 | 2.42 | 0.238 | 0.95 | 2.93 |
| 0610222 | 3" — 90 mm SDR 11 | 3.54 | 8.20 | 2.90 | 0.343 | 1.37 | 4.22 |
| 0610224 | 3 ½" — 110 mm SDR 11 | 4.33 | 10.0 | 3.54 | 0.512 | 2.11 | 6.37 |
| 0610226 | 4" — 125 mm SDR 11 | 4.92 | 11.4 | 4.02 | 0.661 | 2.64 | 8.12 |
| 0610226x2 ^e | 4" — 125 mm SDR 11 (Double Length) | 4.92 | 11.4 | 4.02 | 0.661 | 2.64 | 8.12 |
| 0610226x3 ^f | 4" — 125 mm SDR 11 (Triple Length) | 4.92 | 11.4 | 4.02 | 0.661 | 2.64 | 8.12 |
| 0610230 | 6" — 160 mm SDR 11 | 6.30 | 14.6 | 5.15 | 1.084 | 4.31 | 13.3 |
| 0610230x2 ^g | 6" — 160 mm SDR 11 (Double Length) | 6.30 | 14.6 | 5.15 | 1.084 | 4.31 | 13.3 |
| 0610234 | 8" — 200 mm SDR 11 | 7.87 | 18.2 | 6.44 | 1.693 | 6.71 | 20.9 |
| 0610234x2 ^g | 8" — 200 mm SDR 11 (Double Length) | 7.87 | 18.2 | 6.44 | 1.693 | 6.70 | 20.9 |
| 0610238 | 10" — 250 mm SDR 11 | 9.84 | 22.7 | 8.06 | 2.646 | 10.4 | 32.5 |
| 0610238x2 ^g | 10" — 250 mm SDR 11 (Double Length) | 9.84 | 22.7 | 8.06 | 2.646 | 10.4 | 32.5 |
| 0010242 | 12" — 315 mm SDR 11 | 12.4 | 28.6 | 10.2 | 4.201 | 17.3 | 52.3 |
| 0010242x2 ^g | 12" — 315 mm SDR 11 (Double Length) | 12.4 | 28.6 | 10.2 | 4.201 | 17.3 | 52.3 |
| 0010244 | 14" — 355 mm SDR 11 | 14.0 | 32.2 | 11.4 | 5.335 | 21.0 | 65.3 |
| 0010246 ^d | 16" — 400 mm SDR 11 | 15.8 | 36.3 | 12.9 | 6.773 | 27.8 | 84.1 |
| 0010248 ^d | 18" — 450 mm SDR 11 | 17.7 | 40.9 | 14.5 | 8.573 | 35.2 | 107 |
| The following items are supplied in coils: | | | | | | | |
| 0610308 | ½" — 20 mm SDR 11 (100m or 328' length coils) | 0.79 | 1.90 | 0.64 | 0.017 | 0.07 | 0.21 |
| 0610310 | ¾" — 25 mm SDR 11 (100m or 328' length coils) | 0.98 | 2.30 | 0.80 | 0.026 | 0.11 | 0.33 |
| 0610312 | 1" — 32 mm SDR 11 (50 m or 164' length coils) | 1.26 | 2.90 | 1.03 | 0.043 | 0.17 | 0.53 |

^a ½" - 4" pipes come in standard 13 ft lengths (4 m). Pipes 6" and larger come in standard 19 ft lengths (5.8 m).

^b To calculate dimensions of the pipe in millimeters, multiply the imperial inches measurement by 25.4.

^c To calculate the weight of the pipe in kg/m, multiply the measurement by 1.5.

^d Mechanically stabilized with a fiber-composite layer in the center of the pipe.

^e Pipe comes in 26 ft lengths.

^f Pipe comes in 39 ft lengths.

^g Pipe comes in 38 ft lengths.

aquatherm green pipe® SDR 7.4 MF UV

Material: fusiole® PP-R faser-composite

In accordance with:

- NSF-14
- NSF-51
- NSF-61
- CSA-B137.11
- ICC AC 122
- ICC ESR 1613
- ASTM F 2389
- CFIA #A508

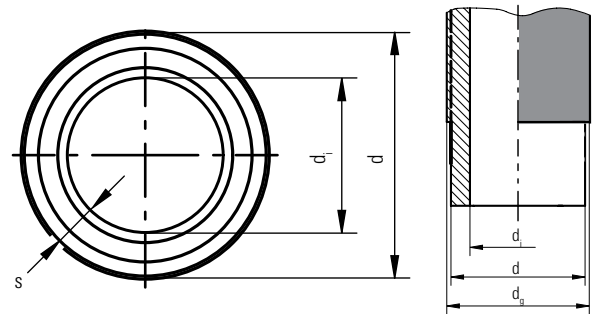


Appearance: Light green with black exterior.

NSF system certification: Including fittings, connection pieces and connection techniques.

Fields of application: All the same applications as the standard aquatherm green pipe® SDR 7.4 MF, but for installations where the pipe is exposed to UV radiation.

Note: Because these parts are not stocked in large numbers, please contact Aquatherm for details about your order. Pipe will not have NA listing marks on it, but can be special ordered with the marking.



| Pipe ^a | | Diameter ^b | Wall thickness | Internal diameter | (d) total | Water capacity | Weight ^c | Weight w/ water |
|-------------------|---------------------|-----------------------|----------------|---------------------|---------------------|----------------|---------------------|-----------------|
| Part no. | Dimension (ND — OD) | d (in) | s (in) | d _i (in) | d _o (in) | gal/ft | lb/ft | lb/ft |
| 0670758 | ½" — 20 mm | 0.79 | 0.11 | 14.4 | 0.87 | 0.013 | 0.14 | 0.25 |
| 0670760 | ¾" — 25 mm | 0.98 | 0.14 | 18.0 | 1.06 | 0.021 | 0.21 | 0.38 |
| 0670762 | 1" — 32 mm | 1.26 | 0.17 | 23.2 | 1.34 | 0.034 | 0.33 | 0.60 |
| 0670764 | 1 ¼" — 40 mm | 1.57 | 0.22 | 29.0 | 1.65 | 0.054 | 0.49 | 0.92 |
| 0670766 | 1 ½" — 50 mm | 1.97 | 0.27 | 36.2 | 2.05 | 0.084 | 0.74 | 1.41 |
| 0670768 | 2" — 63 mm | 2.48 | 0.34 | 45.8 | 2.56 | 0.134 | 1.14 | 2.20 |
| 0670770 | 2 ½" — 75 mm | 2.95 | 0.41 | 54.4 | 3.03 | 0.189 | 1.59 | 3.09 |
| 0670772 | 3" — 90 mm | 3.54 | 0.48 | 65.4 | 3.62 | 0.273 | 2.28 | 4.46 |
| 0670774 | 3 ½" — 110 mm | 4.33 | 0.59 | 79.8 | 4.45 | 0.407 | 3.42 | 6.66 |
| 0670776 | 4" — 125 mm | 4.92 | 0.67 | 90.8 | 5.00 | 0.526 | 4.33 | 8.53 |
| 0670780 | 6" — 160 mm | 6.30 | 0.86 | 116.2 | 6.38 | 0.826 | 7.00 | 13.9 |
| 0670784 | 8" — 200 mm | 7.87 | 1.08 | 145.2 | 7.95 | 1.347 | 10.8 | 21.7 |
| 0670788 | 10" — 250 mm | 9.84 | 1.35 | 181.6 | 9.92 | 2.105 | 16.8 | 34.0 |

^a ½" - 4" pipes come in standard 13 ft lengths (4 m). Pipes 6" and larger come in standard 19 ft lengths (5.8 m).

^b To calculate dimensions of the pipe in millimeters, multiply the imperial inches measurement by 25.4.

^c To calculate the weight of the pipe in kg/m, multiply the measurement by 1.5.

PRODUCT RANGE - PIPE

aquatherm lilac pipe[®] SDR 7.4/11 S

Material: fusiolen[®] PP-R

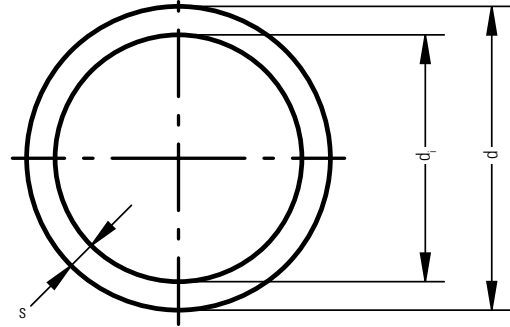
In accordance with:

- NSF-14 NSF-14
- CSA B 137.11



Appearance: Light purple.

Fields of application: For rainwater and reclaimed water systems, gray water supply.



| Part no. | Pipe ^a Dimension (ND — OD) | Diameter ^b d (in) | Wall thickness s (in) | Internal diameter d _i (in) | Water capacity gal/ft | Weight ^c lb/ft | Weight w/ water lb/ft |
|------------------------|--|---------------------------------|--------------------------|--|--------------------------|------------------------------|--------------------------|
| 9010808 | ½" — 20 mm SDR 7.4 | 0.79 | 0.11 | 0.57 | 0.013 | 0.10 | 0.21 |
| 9010810 | ¾" — 25 mm SDR 7.4 | 0.98 | 0.14 | 0.71 | 0.021 | 0.16 | 0.33 |
| 9010212 | 1" — 32 mm SDR 11 | 1.26 | 0.11 | 1.03 | 0.043 | 0.18 | 0.54 |
| 9010214 | 1 ¼" — 40 mm SDR 11 | 1.57 | 0.14 | 1.29 | 0.068 | 0.28 | 0.84 |
| 9010216 | 1 ½" — 50 mm SDR 11 | 1.97 | 0.18 | 1.61 | 0.106 | 0.43 | 1.31 |
| 9010218 | 2" — 63 mm SDR 11 | 2.48 | 0.23 | 2.03 | 0.168 | 0.68 | 2.08 |
| 9010220 | 2 ½" — 75 mm SDR 11 | 2.95 | 0.27 | 2.42 | 0.238 | 0.95 | 2.93 |
| 9010222 | 3" — 90 mm SDR 11 | 3.54 | 0.32 | 2.90 | 0.343 | 1.36 | 4.21 |
| 9010224 | 3 ½" — 110 mm SDR 11 | 4.33 | 0.9 | 3.54 | 0.512 | 2.02 | 6.28 |
| 9010226 | 4" — 125 mm SDR 11 | 4.92 | 0.45 | 4.02 | 0.661 | 2.63 | 8.11 |
| 9010226x2 ^d | 4" — 125 mm SDR 11 (Double Length) | 4.92 | 0.45 | 4.02 | 0.661 | 2.63 | 8.11 |
| 9010226x3 ^e | 4" — 125 mm SDR 11 (Double Length) | 4.92 | 0.45 | 4.02 | 0.661 | 2.63 | 8.11 |
| 9010230 | 6" — 160 mm SDR 11 | 6.30 | 0.57 | 5.16 | 1.084 | 4.31 | 13.3 |
| 9010230x2 ^f | 6" — 160 mm SDR 11 (Double Length) | 6.30 | 0.57 | 5.16 | 1.084 | 4.31 | 13.3 |

^a ½" - 4" pipes come in standard 13 ft lengths (4 m). Pipes 6" and larger come in standard 19 ft lengths (5.8 m).

^b To calculate dimensions of the pipe in millimeters, multiply the imperial inches measurement by 25.4.

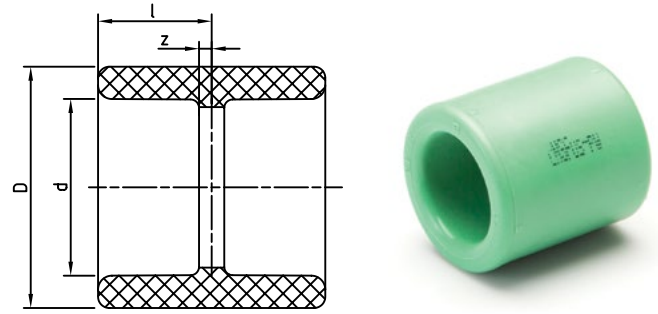
^c To calculate the weight of the pipe in kg/m, multiply the measurement by 1.5.

^d Pipe comes in 26 ft lengths.

^e Pipe comes in 39 ft lengths.

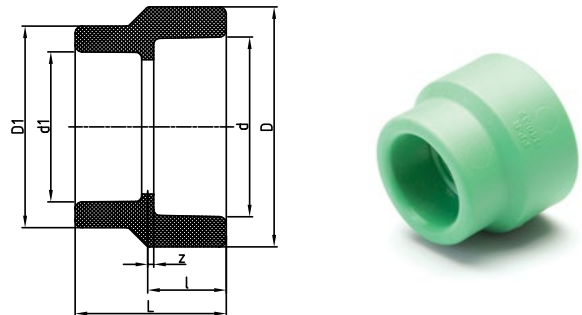
^f Pipe comes in 38 ft lengths.

aquatherm COUPLING



| Part no. | Dimension (ND — OD) | d | l | z | D | Weight |
|----------|------------------------|------|------|------|------|--------|
| | | [in] | [in] | [in] | [in] | [lb] |
| 0111008 | ½" — 20 mm | 0.79 | 0.63 | 0.06 | 1.16 | 0.02 |
| 0111010 | ¾" — 25 mm | 0.98 | 0.69 | 0.06 | 1.34 | 0.03 |
| 0111012 | 1" — 32 mm | 1.26 | 0.80 | 0.09 | 1.69 | 0.06 |
| 0111014 | 1¼" — 40 mm | 1.57 | 0.94 | 0.13 | 2.05 | 0.10 |
| 0111016 | 1½" — 50 mm | 1.97 | 1.04 | 0.12 | 2.68 | 0.19 |
| 0111018 | 2" — 63 mm | 2.48 | 1.19 | 0.11 | 3.31 | 0.31 |
| 0111020 | 2½" — 75 mm | 2.95 | 1.31 | 0.13 | 3.94 | 0.50 |
| 0111022 | 3" — 90 mm | 3.54 | 1.43 | 0.13 | 4.72 | 0.76 |
| 0111024 | 3½" — 110 mm | 4.33 | 1.61 | 0.16 | 5.79 | 1.28 |
| 0111026 | 4" — 125 mm | 4.92 | 1.77 | 0.20 | 6.57 | 1.86 |

aquatherm REDUCING COUPLING female/female



| Part no. | Dimension (ND — OD) | d | d1 | L | l | z | D | D1 | Weight |
|----------|-----------------------------|------|------|------|------|------|------|------|--------|
| | | [in] | [in] | [in] | [in] | [in] | [in] | [in] | [lb] |
| 0111222 | 1 ¼" to 1" — 40 to 32 mm | 1.57 | 1.26 | 1.73 | 0.94 | 0.14 | 2.05 | 1.69 | 0.08 |
| 0111228 | 1 ½" to 1" — 50 to 32 mm | 1.97 | 1.26 | 1.85 | 1.04 | 0.12 | 2.68 | 1.69 | 0.14 |
| 0111230 | 1 ½" to 1 ¼" — 50 to 40 mm | 1.97 | 1.57 | 1.99 | 1.04 | 0.12 | 2.68 | 2.05 | 0.15 |
| 0111236 | 2" to 1 ¼" — 63 to 40 mm | 2.48 | 1.57 | 2.13 | 1.20 | 0.12 | 3.31 | 2.05 | 0.25 |
| 0111238 | 2" to 1 ½" — 63 to 50 mm | 2.48 | 1.97 | 2.20 | 1.18 | 0.10 | 3.31 | 2.68 | 0.27 |
| 0111240 | 2 ½" to 1 ½" — 75 to 50 mm | 2.95 | 1.97 | 2.68 | 1.32 | 0.57 | 3.94 | 2.68 | 0.39 |
| 0111242 | 2 ½" to 2" — 75 to 63 mm | 2.95 | 2.48 | 2.46 | 1.28 | 0.10 | 3.94 | 3.31 | 0.41 |
| 0111252 | 3" to 2" — 90 to 63 mm | 3.54 | 2.48 | 2.62 | 1.44 | 0.14 | 4.72 | 3.31 | 0.61 |
| 0111253 | 3" to 2 ½" — 90 to 75 mm | 3.54 | 2.95 | 2.72 | 1.42 | 0.12 | 4.72 | 3.94 | 0.65 |
| 0111257 | 3 ½" to 2 ½" — 110 to 75 mm | 4.33 | 2.95 | 2.93 | 1.61 | 0.16 | 5.79 | 3.94 | 1.14 |
| 0111259 | 3 ½" to 3" — 110 to 90 mm | 4.33 | 3.54 | 3.05 | 1.61 | 0.16 | 5.79 | 4.72 | 1.15 |
| 0111263 | 4" to 3" — 125 to 90 mm | 4.92 | 3.54 | 3.27 | 1.81 | 0.24 | 6.57 | 4.72 | 1.65 |
| 0111265 | 4" to 3 ½" — 125 to 110 mm | 4.92 | 4.33 | 3.43 | 1.81 | 0.24 | 6.57 | 5.79 | 1.60 |

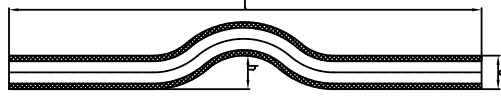
PRODUCT RANGE - FITTINGS

PIPE FASTENING STRAP SUITABLE FOR 3/8" - 1" (16 - 32 MM) PIPE

| Part no. | Dimension | [lb] |
|----------|-------------------------|------|
| 0060604 | Single — 1 3/8" (45 mm) | 0.01 |
| 0060606 | Single — 2 1/2" (75 mm) | 0.02 |
| 0060608 | Double — 1 3/8" (45 mm) | 0.02 |
| 0060610 | Double — 2 1/2" (75 mm) | 0.02 |

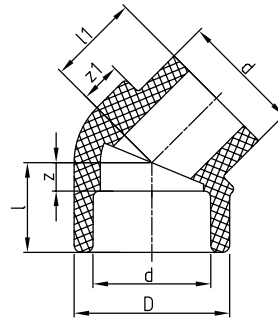


aquatherm CROSS-OVER



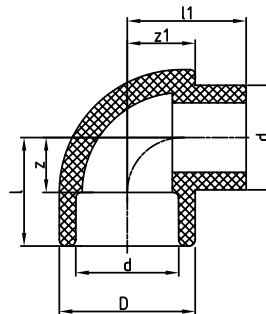
| Part no. | Dimension (ND — OD) | d | h | l | Weight |
|----------|------------------------|------|------|------|--------|
| | | [in] | [in] | [in] | [lb] |
| 0116108 | 1/2" — 20 mm | 0.79 | 0.87 | 13.9 | 0.13 |
| 0116110 | 3/4" — 25 mm | 0.98 | 0.98 | 13.9 | 0.20 |
| 0116112 | 1" — 32 mm | 1.26 | 1.26 | 13.9 | 0.34 |

aquatherm STREET 45° female/male



| Part no. | Dimension (ND — OD) | d | z | l | D | l1 | z1 | Weight |
|----------|------------------------|------|------|------|------|------|------|--------|
| | | [in] | [in] | [in] | [in] | [in] | [in] | [lb] |
| 0112708 | 1/2" — 20 mm | 0.79 | 0.20 | 0.77 | 1.16 | 0.77 | 0.35 | 0.03 |
| 0112710 | 3/4" — 25 mm | 0.98 | 0.24 | 0.87 | 1.34 | 0.87 | 0.33 | 0.04 |
| 0112712 | 1" — 32 mm | 1.26 | 0.30 | 1.00 | 1.69 | 1.12 | 0.45 | 0.08 |
| 0112714 | 1 1/4" — 40 mm | 1.57 | 0.37 | 1.18 | 2.05 | 1.20 | 0.53 | 0.13 |

aquatherm STREET 90° female/male



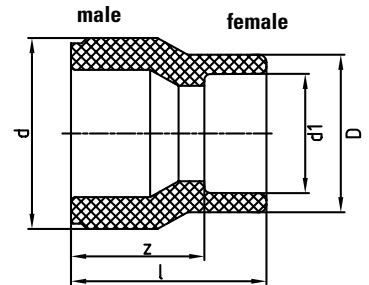
| Part no. | Dimension (ND — OD) | d | z | l | D | l1 | z1 | Weight |
|----------|------------------------|------|------|------|------|------|------|--------|
| | | [in] | [in] | [in] | [in] | [in] | [in] | [lb] |
| 0112308 | 1/2" — 20 mm | 0.79 | 0.43 | 1.00 | 1.16 | 1.00 | 0.59 | 0.04 |
| 0112310 | 3/4" — 25 mm | 0.98 | 0.53 | 1.16 | 1.34 | 1.16 | 0.67 | 0.05 |
| 0112312 | 1" — 32 mm | 1.26 | 0.67 | 1.38 | 1.69 | 1.54 | 0.85 | 0.10 |
| 0112314 | 1 1/4" — 40 mm | 1.57 | 0.83 | 1.63 | 2.05 | 1.79 | 1.02 | 0.18 |

aquatherm BUSHING

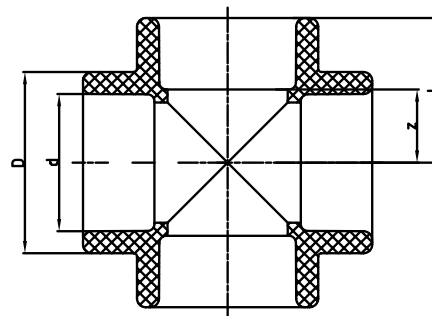
Female to male for use with standard fitting. Female side is identified by a socket-fitting structure, male side is identified with a beveled edge. Appearance of bushing will vary by dimension.



| Part no. | Dimension (ND — OD) (M-F) | d | d1 | l | z | D | Weight |
|----------|------------------------------|------|------|------|------|------|--------|
| | | [in] | [in] | [in] | [in] | [in] | [lb] |
| 0111112 | ¾ to ½" — 25 to 20 mm | 1.16 | 0.79 | 1.52 | 0.94 | 0.98 | 0.03 |
| 0111114 | 1" to ½" — 32 to 20 mm | 1.26 | 0.79 | 1.48 | 0.91 | 1.16 | 0.03 |
| 0111116 | 1" to ¾" — 32 to 25 mm | 1.34 | 0.98 | 1.50 | 0.87 | 1.26 | 0.03 |
| 0111118 | 1 ¼" to ½" — 40 to 20 mm | 1.57 | 0.79 | 1.77 | 1.20 | 1.16 | 0.05 |
| 0111120 | 1 ¼" to ¾" — 40 to 25 mm | 1.57 | 0.98 | 1.97 | 1.34 | 1.34 | 0.06 |
| 0111122 | 1 ¼" to 1" — 40 to 32 mm | 1.69 | 1.26 | 1.97 | 1.26 | 1.57 | 0.07 |
| 0111124 | 1 ½" to ½" — 50 to 20 mm | 1.97 | 0.79 | 2.17 | 1.59 | 1.16 | 0.10 |
| 0111126 | 1 ½" to ¾" — 50 to 25 mm | 1.97 | 0.98 | 2.17 | 1.54 | 1.34 | 0.10 |
| 0111128 | 1 ½" to 1" — 50 to 32 mm | 1.97 | 1.26 | 2.13 | 1.42 | 1.69 | 0.11 |
| 0111130 | 1 ½" to 1 ¼" — 50 to 40 mm | 2.05 | 1.57 | 2.07 | 1.26 | 1.97 | 0.12 |
| 0111131 | 2" to ½" — 63 to 20 mm | 2.48 | 0.79 | 2.56 | 1.99 | 1.16 | 0.16 |
| 0111132 | 2" to ¾" — 63 to 25 mm | 2.48 | 0.98 | 2.56 | 1.93 | 1.34 | 0.16 |
| 0111134 | 2" to 1" — 63 to 32 mm | 2.48 | 1.26 | 2.44 | 1.73 | 1.69 | 0.18 |
| 0111136 | 2" to 1 ¼" — 63 to 40 mm | 2.48 | 1.57 | 2.56 | 1.75 | 2.05 | 0.23 |
| 0111138 | 2" to 1 ½" — 63 to 50 mm | 2.68 | 1.97 | 2.50 | 1.57 | 2.48 | 0.25 |
| 0111143 | 2 ½" to ½" — 75 to 20 mm | 2.95 | 0.79 | 2.58 | 2.01 | 1.36 | 0.24 |
| 0111144 | 2 ½" to ¾" — 75 to 25 mm | 2.95 | 0.98 | 2.58 | 1.95 | 1.36 | 0.24 |
| 0111145 | 2 ½" to 1" — 75 to 32 mm | 2.95 | 1.26 | 2.74 | 2.03 | 2.05 | 0.31 |
| 0111139 | 2 ½" to 1 ¼" — 75 to 40 mm | 2.95 | 1.57 | 2.74 | 1.93 | 2.05 | 0.29 |
| 0111140 | 2 ½" to 1 ½" — 75 to 50 mm | 2.95 | 1.97 | 2.48 | 1.56 | 2.68 | 0.31 |
| 0111142 | 2 ½" to 2" — 75 to 63 mm | 3.31 | 2.48 | 2.80 | 1.71 | 2.95 | 0.38 |
| 0111151 | 3" to 1 ½" — 90 to 50 mm | 3.54 | 1.97 | 2.95 | 2.03 | 2.68 | 0.43 |
| 0111152 | 3" to 2" — 90 to 63 mm | 3.54 | 2.48 | 3.07 | 1.99 | 3.31 | 0.49 |
| 0111153 | 3" to 2 ½" — 90 to 75 mm | 3.94 | 2.95 | 3.21 | 2.03 | 3.54 | 0.60 |
| 0111155 | 3 ½" to 2" — 110 to 63 mm | 4.33 | 2.48 | 3.39 | 2.30 | 3.31 | 0.79 |
| 0111157 | 3 ½" to 2 ½" — 110 to 75 mm | 4.33 | 2.95 | 3.50 | 2.32 | 3.94 | 0.84 |
| 0111159 | 3 ½" to 3" — 110 to 90 mm | 4.72 | 3.54 | 3.90 | 2.60 | 4.33 | 1.10 |
| 0111161 | 4" to 2 ½" — 125 to 75 mm | 4.92 | 2.95 | 3.98 | 2.80 | 3.94 | 1.14 |
| 0111163 | 4" to 3" — 125 to 90 mm | 4.92 | 3.54 | 3.90 | 2.60 | 4.72 | 1.30 |
| 0111165 | 4" to 3 ½" — 125 to 110 mm | 5.79 | 4.33 | 4.41 | 2.95 | 4.92 | 1.83 |



aquatherm CROSS



| Part no. | Dimension (ND — OD) | d | z | l | D | Weight |
|----------|------------------------|------|------|------|------|--------|
| | | [in] | [in] | [in] | [in] | [lb] |
| 0113708 | ½" — 20 mm | 0.79 | 0.45 | 1.02 | 1.16 | 0.06 |
| 0113710 | ¾" — 25 mm | 0.98 | 0.53 | 1.16 | 1.34 | 0.08 |
| 0113712 | 1" — 32 mm | 1.26 | 0.67 | 1.38 | 1.69 | 0.14 |
| 0113714 | 1 ¼" — 40 mm | 1.57 | 0.83 | 1.63 | 2.05 | 0.22 |

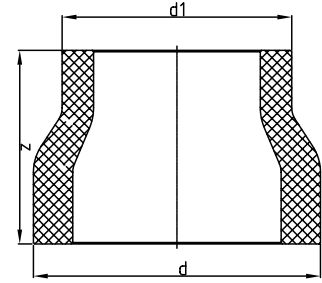
PRODUCT RANGE - FITTINGS

aquatherm BUTT-FUSION REDUCER

The butt fusion reducer can be used with either the **aquatherm green pipe**® or **aquatherm blue pipe**® systems, but are all molded from the green **fusiolen**® material. The SDR of the fittings must match the SDR of the pipe. The length of some fittings may not accommodate all butt-fusion equipment. Verify the equipment to be used is compatible with the fittings when ordering.

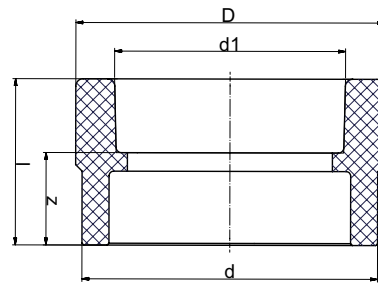


| SDR | Part no. | Dimension (ND — OD) | d | d1 | z | Weight |
|---------|----------------------------|----------------------------|------|------|------|--------|
| | | | [in] | [in] | [in] | [lb] |
| 7.4 | 0111184 | 8" to 6" — 200 to 160 mm | 7.87 | 6.30 | 5.31 | 3.46 |
| | 0111188 | 10" to 6" — 250 to 160 mm | 9.84 | 6.30 | 6.79 | 6.35 |
| | 0111190 | 10" to 8" — 250 to 200 mm | 9.84 | 7.87 | 6.79 | 7.17 |
| | 0111192 | 12" to 8" — 315 to 200 mm | 12.4 | 7.87 | 8.86 | 9.91 |
| | 0111194 | 12" to 10" — 315 to 250 mm | 12.4 | 9.84 | 8.86 | 8.96 |
| | 0111196 | 14" to 10" — 355 to 250 mm | 14.0 | 9.84 | 6.69 | 11.6 |
| | 0111198 | 14" to 12" — 355 to 315 mm | 14.0 | 12.4 | 6.30 | 10.9 |
| 9 | 0311184 | 8" to 6" — 200 to 160 mm | 7.87 | 6.30 | 5.31 | 3.50 |
| | 0311188 | 10" to 6" — 250 to 160 mm | 9.84 | 6.30 | 6.79 | 6.39 |
| | 0311190 | 10" to 8" — 250 to 200 mm | 9.84 | 7.87 | 6.79 | 7.07 |
| | 0311192 | 12" to 8" — 315 to 200 mm | 12.4 | 7.87 | 8.86 | 14.0 |
| | 0311194 | 12" to 10" — 315 to 250 mm | 12.4 | 9.84 | 8.86 | 15.5 |
| | 0311196 | 14" to 10" — 355 to 250 mm | 14.0 | 9.84 | 6.69 | 12.4 |
| | 0311198 | 14" to 12" — 355 to 315 mm | 14.0 | 12.4 | 6.30 | 10.9 |
| 11 | 0111185 | 8" to 6" — 200 to 160 mm | 7.87 | 6.30 | 5.31 | 2.66 |
| | 0111189 | 10" to 6" — 250 to 160 mm | 9.84 | 6.30 | 6.79 | 5.10 |
| | 0111191 | 10" to 8" — 250 to 200 mm | 9.84 | 7.87 | 6.79 | 5.27 |
| | 0111193 | 12" to 8" — 315 to 200 mm | 12.4 | 7.87 | 8.86 | 9.68 |
| | 0111195 | 12" to 10" — 315 to 250 mm | 12.4 | 9.84 | 9.17 | 10.6 |
| | 0111197 | 14" to 10" — 355 to 250 mm | 14.0 | 9.84 | 9.65 | 9.77 |
| | 0111199 | 14" to 12" — 355 to 315 mm | 14.0 | 12.4 | 6.30 | 9.99 |
| | 0111201 | 16" to 10" — 400 to 250 mm | 15.8 | 9.84 | 10.2 | 16.5 |
| | 0111203 | 16" to 12" — 400 to 315 mm | 15.8 | 12.4 | 10.2 | 13.4 |
| | 0111204 | 16" to 14" — 400 to 355 mm | 15.8 | 14.0 | 10.2 | 12.1 |
| | 0111206 | 18" to 12" — 450 to 315 mm | 17.7 | 12.4 | 9.06 | 20.2 |
| | 0111207 | 18" to 14" — 450 to 355 mm | 17.7 | 14.0 | 9.06 | 16.7 |
| | 0111208 | 18" to 16" — 450 to 400 mm | 17.7 | 15.8 | 9.06 | 16.7 |
| 17.6 | 2511184 | 8" to 6" — 200 to 160 mm | 7.87 | 6.30 | 5.31 | 2.23 |
| | 2511188 | 10" to 6" — 250 to 160 mm | 9.84 | 6.30 | 6.79 | 3.31 |
| | 2511190 | 10" to 8" — 250 to 200 mm | 9.84 | 7.87 | 6.79 | 2.95 |
| | 2511193 | 12" to 8" — 315 to 200 mm | 12.4 | 7.87 | 6.79 | 9.13 |
| | 2511195 | 12" to 10" — 315 to 250 mm | 12.4 | 9.84 | 8.86 | 7.54 |
| | 2511197 | 14" to 10" — 355 to 250 mm | 14.0 | 9.84 | 9.65 | 6.83 |
| | 2511199 | 14" to 12" — 355 to 315 mm | 14.0 | 12.4 | 6.30 | 6.85 |
| | 2511201 | 16" to 10" — 400 to 250 mm | 15.8 | 9.84 | 10.2 | 9.88 |
| | 2511203 | 16" to 12" — 400 to 315 mm | 15.8 | 12.4 | 10.2 | 7.42 |
| | 2511204 | 16" to 14" — 400 to 355 mm | 15.8 | 14.0 | 10.2 | 6.72 |
| | 2511206 | 18" to 12" — 450 to 315 mm | 17.7 | 12.4 | 9.06 | 10.8 |
| | 2511207 | 18" to 14" — 450 to 355 mm | 17.7 | 14.0 | 9.06 | 10.3 |
| | 2511208 | 18" to 16" — 450 to 400 mm | 17.7 | 15.8 | 9.06 | 9.45 |
| | 2511209 | 20" to 12" — 500 to 315 mm | 19.7 | 12.4 | 9.06 | 17.9 |
| | 2511210 | 20" to 14" — 500 to 355 mm | 19.7 | 14.0 | 9.06 | 14.3 |
| | 2511211 | 20" to 16" — 500 to 400 mm | 19.7 | 15.8 | 9.06 | 14.8 |
| | 2511212 | 20" to 18" — 500 to 450 mm | 19.7 | 17.7 | 9.06 | 12.1 |
| | 2511213 | 22" to 16" — 560 to 400 mm | 22.1 | 15.8 | 9.06 | 19.8 |
| | 2511214 | 22" to 18" — 560 to 450 mm | 22.1 | 17.7 | 7.87 | 19.0 |
| 2511215 | 22" to 20" — 560 to 500 mm | 22.1 | 19.7 | 7.87 | 16.8 | |
| 2511216 | 24" to 16" — 630 to 400 mm | 24.8 | 15.8 | 7.56 | 33.3 | |
| 2511217 | 24" to 18" — 630 to 450 mm | 24.8 | 17.7 | 7.87 | 30.2 | |
| 2511218 | 24" to 20" — 630 to 500 mm | 24.8 | 19.7 | 7.87 | 24.3 | |
| 2511219 | 24" to 22" — 630 to 560 mm | 24.8 | 22.0 | 7.87 | 19.8 | |



aquatherm REDUCING COUPLING

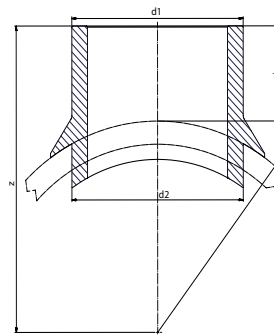
Socket-fused on one side, butt-fused on the other. These fittings can be used with either the **aquatherm green pipe**[®] or **aquatherm blue pipe**[®] systems, but are all molded from the green **fusiolen**[™] material. The SDR of the fittings must match the SDR of the pipe. The length of some fittings may not accommodate all butt-fusion equipment. Verify the equipment to be used is compatible with the fittings when ordering.



| SDR | Part no. | Dimension (ND — OD) | d | d1 | l | z | D | Weight |
|------|----------|------------------------------|------|------|------|------|------|--------|
| | | | [in] | [in] | [in] | [in] | [in] | [lb] |
| 7.4 | 0111174 | 6" to 3 1/2" — 160 to 110 mm | 6.30 | 4.33 | 3.43 | 1.97 | 5.79 | 1.61 |
| | 0111176 | 6" to 4" — 160 to 125 mm | 6.30 | 4.92 | 3.54 | 1.97 | 6.57 | 1.85 |
| | 0111182 | 8" to 4" — 200 to 125 mm | 7.87 | 4.92 | 5.31 | 3.74 | 6.57 | 3.62 |
| 9 | 0311174 | 6" to 3 1/2" — 160 to 110 mm | 6.30 | 4.33 | 3.43 | 1.97 | 5.79 | 1.61 |
| | 0311176 | 6" to 4" — 160 to 125 mm | 6.30 | 4.84 | 3.54 | 1.97 | 6.57 | 1.91 |
| | 0311182 | 8" to 4" — 200 to 125 mm | 7.87 | 4.84 | 5.31 | 3.74 | 6.57 | 3.53 |
| 11 | 0111175 | 6" to 3 1/2" — 160 to 110 mm | 6.30 | 4.33 | 3.54 | 2.09 | 5.79 | 1.44 |
| | 0111177 | 6" to 4" — 160 to 125 mm | 6.30 | 4.92 | 3.54 | 1.97 | 6.57 | 1.40 |
| | 0111183 | 8" to 4" — 200 to 125 mm | 7.87 | 4.92 | 5.31 | 3.74 | 6.57 | 2.96 |
| 17.6 | 2511174 | 6" to 3 1/2" — 160 to 110 mm | 6.30 | 4.33 | 3.54 | 2.09 | 5.79 | 1.36 |
| | 2511176 | 6" to 4" — 160 to 125 mm | 6.30 | 4.92 | 3.54 | 1.97 | 6.57 | 1.39 |
| | 2511182 | 8" to 4" — 200 to 125 mm | 7.87 | 4.92 | 5.31 | 3.74 | 6.57 | 2.33 |

aquatherm FUSION OUTLET (BUTT-FUSION)

The necessary welding heads are listed on page 5.51 (part no. 0050614 - 0050640). Fusion outlet fittings are rated at SDR 11. Allowances should be made for connection to other SDRs.



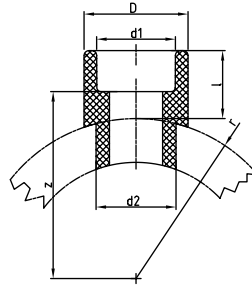
| SDR | Part no. | Dimension pipe x outlet (ND — OD) | r | d1 | d2 | l | z | Weight |
|-----|----------------------|---------------------------------------|------|------|------|------|------|--------|
| | | | [in] | [in] | [in] | [in] | [in] | [lb] |
| 9 | 0315265 | 12" x 6" — 315 x 160 mm | 6.20 | 6.30 | 6.30 | 2.51 | 9.35 | 1.83 |
| | 0315271 | 14" x 6" — 355 x 160 mm | 7.00 | 6.30 | 6.30 | 3.15 | 10.1 | 1.86 |
| 11 | 0115265 | 12" x 6" — 315 x 160 mm | 6.30 | 6.30 | 6.30 | 3.15 | 9.45 | 1.91 |
| | 0115271 | 14" x 6" — 355 x 160 mm | 7.00 | 6.30 | 6.30 | 3.15 | 10.2 | 1.91 |
| | 0115272 | 14" x 8" — 355 x 200 mm | 7.00 | 7.86 | 7.86 | 3.54 | 10.5 | 3.53 |
| | 0115280 ^a | 16" x 6" to 10" — 400 x 160 to 250 mm | 7.90 | 9.83 | 9.83 | 3.14 | 11.0 | 6.46 |
| | 0115292 ^a | 18" x 6" to 10" — 450 x 160 to 250 mm | 8.85 | 9.83 | 9.83 | 3.14 | 12.0 | 6.61 |
| | 0115298 | 18" x 12" — 450 x 315 mm | 8.85 | 12.4 | 12.4 | 3.54 | 12.4 | 8.52 |
| | 0115306 ^a | 20" x 6" to 10" — 500 x 160 to 250 mm | 9.85 | 9.83 | 9.83 | 3.14 | 13.0 | 6.34 |
| | 0115312 | 20" x 12" — 500 x 315 mm | 9.85 | 12.4 | 12.4 | 3.43 | 13.3 | 8.13 |
| | 0115334 ^a | 24" x 6" to 10" — 630 x 160 to 250 mm | 12.4 | 9.83 | 9.83 | 5.33 | 15.7 | 6.68 |
| | 0115340 | 24" x 12" — 630 x 315 mm | 12.4 | 12.4 | 12.4 | 2.66 | 16.1 | 8.53 |

^a Molded fitting designed to accommodate a range of branch sizes. If needed, the fitting can be cut and butt welded to the smaller diameters in the given range.

PRODUCT RANGE - FITTINGS

aquatherm FUSION OUTLET (SOCKET)

The necessary welding heads are listed on page 5.51 (part no. 0050614 - 0050640). Fusion outlet fittings are rated at SDR 7.4. Allowances should be made for connection to other SDRs. System piping should be de-rated to SDR 11 capacities.

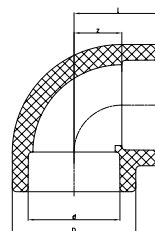


| Part no. | Dimension pipe x outlet (ND — OD) | r | d1 | d2 | l | z | D | Weight |
|----------|--------------------------------------|-----------|------|------|------|------|------|--------|
| | | [in] | [in] | [in] | [in] | [in] | [in] | [lb] |
| 0115156 | 1 ¼" x ½" — 40 x 20 mm | 0.79 | 0.79 | 0.98 | 1.06 | 1.28 | 1.16 | 0.03 |
| 0115158 | 1 ¼" x ¾" — 40 x 25 mm | 0.79 | 0.98 | 0.98 | 1.12 | 1.28 | 1.34 | 0.04 |
| 0115160 | 1 ½" x ½" — 50 x 20 mm | 0.99 | 0.79 | 0.98 | 1.08 | 1.50 | 1.16 | 0.04 |
| 0115162 | 1 ½" x ¾" — 50 x 25 mm | 0.99 | 0.98 | 0.98 | 1.12 | 1.48 | 1.34 | 0.04 |
| 0115164 | 2 x ½" — 63 x 20 mm | 1.24 | 0.79 | 0.98 | 1.08 | 1.75 | 1.16 | 0.04 |
| 0115166 | 2" x ¾" — 63 x 25 mm | 1.24 | 0.98 | 0.98 | 1.12 | 1.73 | 1.34 | 0.04 |
| 0115168 | 2" x 1" — 63 x 32 mm | 1.24 | 1.26 | 1.26 | 1.18 | 1.71 | 1.69 | 0.06 |
| 0115170 | 2 ½" x ½" — 75 x 20 mm | 1.48 | 0.79 | 0.98 | 1.08 | 1.99 | 1.16 | 0.04 |
| 0115172 | 2 ½" x ¾" — 75 x 25 mm | 1.48 | 0.98 | 0.98 | 1.12 | 1.97 | 1.34 | 0.04 |
| 0115174 | 2 ½" x 1" — 75 x 32 mm | 1.48 | 1.26 | 1.26 | 1.18 | 1.95 | 1.69 | 0.06 |
| 0115175 | 2 ½" x 1 ¼" — 75 x 40 mm | 1.48 | 1.57 | 1.57 | 1.34 | 2.01 | 2.05 | 0.11 |
| 0115176 | 3" x ½" — 90 x 20 mm | 1.77 | 0.79 | 0.98 | 1.08 | 2.28 | 1.16 | 0.04 |
| 0115178 | 3" x ¾" — 90 x 25 mm | 1.77 | 0.98 | 0.98 | 1.12 | 2.26 | 1.34 | 0.04 |
| 0115180 | 3" x 1" — 90 x 32 mm | 1.77 | 1.26 | 1.26 | 1.18 | 2.24 | 1.69 | 0.06 |
| 0115181 | 3" x 1 ¼" — 90 x 40 mm | 1.77 | 1.57 | 1.57 | 1.34 | 2.30 | 2.05 | 0.11 |
| 0115182 | 3 ½" x ½" — 110 x 20 mm | 2.17 | 0.79 | 0.98 | 1.08 | 2.68 | 1.16 | 0.04 |
| 0115184 | 3 ½" x ¾" — 110 x 25 mm | 2.17 | 0.98 | 0.98 | 1.12 | 2.70 | 1.34 | 0.04 |
| 0115186 | 3 ½" x 1" — 110 x 32 mm | 2.17 | 1.26 | 1.26 | 1.18 | 2.64 | 1.69 | 0.07 |
| 0115188 | 3 ½" x 1 ¼" — 110 x 40 mm | 2.17 | 1.57 | 1.57 | 1.34 | 2.70 | 2.05 | 0.11 |
| 0115189 | 3 ½" x 1 ½" — 110 x 50 mm | 2.17 | 1.97 | 1.97 | 1.34 | 2.58 | 2.68 | 0.20 |
| 0115190 | 4" x ½" — 125 x 20 mm | 2.46 | 0.79 | 0.98 | 1.08 | 2.93 | 1.16 | 0.04 |
| 0115192 | 4" x ¾" — 125 x 25 mm | 2.46 | 0.98 | 0.98 | 1.12 | 2.95 | 1.34 | 0.04 |
| 0115194 | 4" x 1" — 125 x 32 mm | 2.46 | 1.26 | 1.26 | 1.18 | 2.93 | 1.69 | 0.06 |
| 0115196 | 4" x 1 ¼" — 125 x 40 mm | 2.46 | 1.57 | 1.57 | 1.34 | 2.99 | 2.05 | 0.11 |
| 0115197 | 4" x 1 ½" — 125 x 50 mm | 2.46 | 1.97 | 1.97 | 1.34 | 2.87 | 2.68 | 0.20 |
| 0115198 | 4" x 2" — 125 x 63 mm | 2.46 | 2.48 | 2.48 | 1.50 | 2.87 | 3.31 | 0.33 |
| 0115206 | 6" x ½" — 160 x 20 mm | 3.15 | 0.79 | 0.98 | 2.44 | 3.66 | 1.16 | 0.05 |
| 0115208 | 6" x ¾" — 160 x 25 mm | 3.15 | 0.98 | 0.98 | 1.12 | 3.64 | 1.34 | 0.05 |
| 0115210 | 6" x 1" — 160 x 32 mm | 3.15 | 1.26 | 1.26 | 1.18 | 3.62 | 1.69 | 0.07 |
| 0115212 | 6" x 1 ¼" — 160 x 40 mm | 3.15 | 1.57 | 1.57 | 1.34 | 3.68 | 2.05 | 0.12 |
| 0115214 | 6" x 1 ½" — 160 x 50 mm | 3.15 | 1.97 | 1.97 | 1.34 | 3.56 | 2.70 | 0.21 |
| 0115216 | 6" x 2" — 160 x 63 mm | 3.15 | 2.48 | 2.48 | 1.50 | 3.56 | 3.31 | 0.34 |
| 0115218 | 6" x 2 ½" — 160 x 75 mm | 3.15 | 2.95 | 2.95 | 1.65 | 3.62 | 3.94 | 0.52 |
| 0115220 | 6" x 3" — 160 x 90 mm | 3.15 | 3.54 | 3.54 | 1.77 | 3.62 | 4.72 | 0.79 |
| 0115228 | 8" to 10" x ½" — 200 to 250 x 20 mm | 3.94/4.92 | 0.79 | 0.98 | 1.08 | 4.45 | 1.16 | 0.04 |
| 0115229 | 8" to 10" x ¾" — 200 to 250 x 25 mm | 3.94/4.92 | 0.98 | 0.98 | 1.12 | 4.43 | 1.34 | 0.05 |
| 0115230 | 8" to 10" x 1" — 200 to 250 x 32 mm | 3.94/4.92 | 1.26 | 1.26 | 1.18 | 4.41 | 1.69 | 0.07 |
| 0115231 | 8" x 1 ¼" — 200 x 40 mm | 3.94 | 1.57 | 1.57 | 1.34 | 4.47 | 2.05 | 0.11 |
| 0115232 | 8" x 1 ½" — 200 x 50 mm | 3.94 | 1.97 | 1.97 | 1.34 | 4.35 | 2.68 | 0.19 |
| 0115233 | 8" x 2" — 200 x 63 mm | 3.94 | 2.48 | 2.48 | 1.48 | 4.33 | 3.31 | 0.32 |

aquatherm green pipe® FUSION OUTLET (SOCKET) (continued)

| Part no. | Dimension pipe x outlet (ND — OD) | r | d1 | d2 | l | z | D | Weight |
|----------|---|-----------|------|------|------|------|------|--------|
| | | [in] | [in] | [in] | [in] | [in] | [in] | [lb] |
| 0115234 | 8" x 2 1/2" — 200 x 75 mm | 3.94 | 2.95 | 2.95 | 1.65 | 4.41 | 3.94 | 0.50 |
| 0115235 | 8" x 3" — 200 x 90 mm | 3.94 | 3.54 | 3.54 | 1.77 | 4.41 | 4.72 | 0.78 |
| 0115236 | 8" x 3 1/2" — 200 x 110 mm | 3.94 | 4.33 | 4.33 | 1.93 | 4.41 | 5.79 | 1.41 |
| 0115237 | 8" x 4" — 200 x 125 mm | 3.94 | 4.92 | 4.92 | 2.17 | 4.53 | 6.57 | 1.90 |
| 0115251 | 10" x 1 1/4" — 250 x 40 mm | 4.92 | 1.57 | 1.57 | 1.34 | 5.45 | 2.05 | 0.12 |
| 0115252 | 10" x 1 1/2" — 250 x 50 mm | 4.92 | 1.97 | 1.97 | 1.34 | 5.33 | 2.68 | 0.20 |
| 0115253 | 10" x 2" — 250 x 63 mm | 4.92 | 2.48 | 2.48 | 1.48 | 5.31 | 3.31 | 0.33 |
| 0115254 | 10" x 2 1/2" — 250 x 75 mm | 4.92 | 2.95 | 2.95 | 1.65 | 5.39 | 3.94 | 0.49 |
| 0115255 | 10" x 3" — 250 x 90 mm | 4.92 | 3.54 | 3.54 | 1.77 | 5.39 | 4.72 | 0.77 |
| 0115256 | 10" x 3 1/2" — 250 x 110 mm | 4.92 | 4.33 | 4.33 | 1.93 | 5.39 | 5.79 | 1.33 |
| 0115257 | 10" x 4" — 250 x 125 mm | 4.92 | 4.92 | 4.92 | 2.17 | 5.51 | 6.57 | 1.81 |
| 0115260 | 12" to 14" x 2" — 315 to 355 x 63 mm | 6.20/7.00 | 2.48 | 2.48 | 1.48 | 6.59 | 3.31 | 0.34 |
| 0115261 | 12" to 14" x 2 1/2" — 315 to 355 x 75 mm | 6.20/7.00 | 2.95 | 2.95 | 1.65 | 6.67 | 3.94 | 0.51 |
| 0115262 | 12" x 3" — 315 x 90 mm | 6.20 | 3.54 | 3.54 | 1.77 | 6.67 | 4.27 | 0.80 |
| 0115263 | 12" x 3 1/2" — 315 x 110 mm | 6.20 | 4.33 | 4.33 | 1.93 | 6.67 | 5.79 | 1.31 |
| 0115264 | 12" x 4" — 315 x 125 mm | 6.20 | 4.92 | 4.92 | 2.17 | 6.79 | 6.57 | 1.83 |
| 0115268 | 14" x 3" — 355 x 90 mm | 7.00 | 3.54 | 3.54 | 1.77 | 7.46 | 4.27 | 0.78 |
| 0115269 | 14" x 3 1/2" — 355 x 110 mm | 7.00 | 4.33 | 4.33 | 1.93 | 7.46 | 5.79 | 1.29 |
| 0115270 | 14" x 4" — 355 x 125 mm | 7.00 | 4.92 | 4.92 | 2.17 | 7.58 | 6.57 | 1.79 |
| 0115275 | 16" to 20" x 2 1/2" — 400 to 500 x 75 mm | 7.90/9.85 | 2.95 | 2.95 | 1.65 | 8.35 | 3.94 | 0.48 |
| 0115277 | 16" to 18" x 3 1/2" — 400 to 450 x 110 mm | 7.90/8.85 | 4.33 | 4.33 | 1.93 | 8.35 | 5.79 | 1.18 |
| 0115278 | 16" x 4" — 400 x 125 mm | 7.90 | 4.92 | 4.92 | 2.17 | 8.46 | 6.57 | 1.53 |
| 0115288 | 16" to 20" x 3" — 400 to 500 x 90 mm | 7.90/9.85 | 3.54 | 3.54 | 1.77 | 9.33 | 4.27 | 0.73 |
| 0115290 | 18" to 20" x 4" — 450 to 500 x 125 mm | 8.85/9.85 | 4.92 | 4.92 | 2.17 | 9.45 | 6.57 | 1.48 |
| 0115300 | 16" to 24" x 2" — 400 to 630 x 63 mm | 7.90/12.4 | 2.48 | 2.48 | 1.48 | 10.2 | 3.31 | 1.10 |
| 0115303 | 20" to 22" x 3 1/2" — 500 to 560 x 110 mm | 9.85/11.0 | 4.33 | 4.33 | 1.93 | 10.3 | 5.79 | 1.17 |
| 0115315 | 22" to 24" x 2 1/2" — 560 to 630 x 75 mm | 11.0/12.4 | 2.95 | 2.95 | 1.65 | 11.5 | 3.94 | 0.57 |
| 0115316 | 22" to 24" x 3" — 560 to 630 x 90 mm | 11.0/12.4 | 3.54 | 3.54 | 1.77 | 11.5 | 4.27 | 0.77 |
| 0115318 | 22" to 24" x 4" — 560 - 630 x 125 mm | 11.0/12.4 | 4.92 | 4.92 | 2.17 | 11.5 | 6.57 | 1.52 |
| 0115331 | 24" x 3 1/2" — 630 x 110 mm | 12.4 | 4.33 | 4.33 | 1.93 | 12.9 | 5.79 | 1.25 |

aquatherm ELBOW 90° (MOLDED, SOCKET)

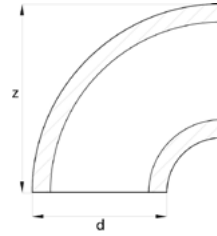


| Part no. | Dimension (ND — OD) | d | z | l | D | Weight |
|----------|------------------------|------|------|------|------|--------|
| | | [in] | [in] | [in] | [in] | [lb] |
| 0112108 | 1/2" — 20 mm | 0.79 | 0.43 | 1.00 | 1.16 | 0.04 |
| 0112110 | 3/4" — 25 mm | 0.98 | 0.53 | 1.16 | 1.34 | 0.05 |
| 0112112 | 1" — 32 mm | 1.26 | 0.67 | 1.38 | 1.69 | 0.09 |
| 0112114 | 1 1/4" — 40 mm | 1.57 | 0.83 | 1.63 | 2.05 | 0.17 |
| 0112116 | 1 1/2" — 50 mm | 1.97 | 1.02 | 1.95 | 2.68 | 0.36 |
| 0112118 | 2" — 63 mm | 2.48 | 1.28 | 2.36 | 3.31 | 0.65 |
| 0112120 | 2 1/2" — 75 mm | 2.95 | 1.52 | 2.70 | 3.94 | 0.98 |
| 0112122 | 3" — 90 mm | 3.54 | 1.81 | 3.11 | 4.72 | 1.61 |
| 0112124 | 3 1/2" — 110 mm | 4.33 | 2.20 | 3.66 | 5.79 | 2.85 |
| 0112126 | 4" — 125 mm | 4.92 | 3.01 | 4.59 | 6.57 | 4.42 |

PRODUCT RANGE - FITTINGS

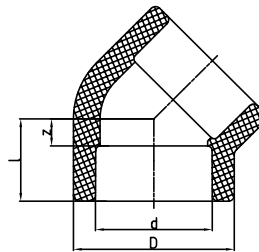
aquatherm ELBOW 90° (MOLDED, BUTT-FUSION)

The length of some fittings may not accommodate all butt-fusion equipment. Verify the equipment to be used is compatible with the fittings when ordering.



| SDR | Part No. | Dimension (ND — OD) | d | z | Weight |
|------|----------|------------------------|------|------|--------|
| | | | [in] | [in] | [lb] |
| 7.4 | 0112130 | 6" — 160 mm | 6.30 | 5.71 | 5.65 |
| 9 | 0312130 | 6" — 160 mm | 6.30 | 5.71 | 5.23 |
| | 0312134 | 8" — 200 mm | 7.87 | 8.23 | 10.9 |
| | 0312138 | 10" — 250 mm | 9.84 | 9.45 | 19.8 |
| 11 | 0112131 | 6" — 160 mm | 6.90 | 5.71 | 5.65 |
| | 8112135 | 8" — 200 mm | 7.87 | 8.23 | 9.26 |
| | 8112139 | 10" — 250 mm | 9.84 | 9.45 | 16.9 |
| 17.6 | 8412130 | 6" — 160 mm | 6.30 | 5.71 | 3.62 |
| | 8412134 | 8" — 200 mm | 7.87 | 8.23 | 6.45 |
| | 8412138 | 10" — 250 mm | 9.84 | 9.45 | 11.8 |

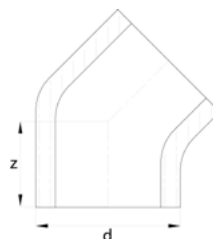
aquatherm ELBOW 45° (MOLDED, SOCKET)



| Part no. | Dimension (ND — OD) | d | z | l | D | Weight |
|----------|------------------------|------|------|------|------|--------|
| | | [in] | [in] | [in] | [in] | [lb] |
| 0112508 | ½" — 20 mm | 0.79 | 0.20 | 0.77 | 1.16 | 0.03 |
| 0112510 | ¾" — 25 mm | 0.98 | 0.24 | 0.87 | 1.34 | 0.04 |
| 0112512 | 1" — 32 mm | 1.26 | 0.30 | 1.00 | 1.69 | 0.08 |
| 0112514 | 1 ¼" — 40 mm | 1.57 | 0.37 | 1.18 | 2.05 | 0.12 |
| 0112516 | 1 ½" — 50 mm | 1.97 | 0.45 | 1.38 | 2.68 | 0.25 |
| 0112518 | 2" — 63 mm | 2.48 | 0.55 | 1.63 | 3.31 | 0.50 |
| 0112520 | 2 ½" — 75 mm | 2.95 | 0.65 | 1.83 | 3.94 | 0.77 |
| 0112522 | 3" — 90 mm | 3.54 | 0.77 | 2.07 | 4.72 | 1.25 |
| 0112524 | 3 ½" — 110 mm | 4.33 | 0.93 | 2.38 | 5.79 | 2.26 |
| 0112526 | 4" — 125 mm | 4.92 | 1.06 | 2.64 | 6.57 | 2.93 |

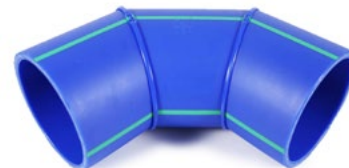
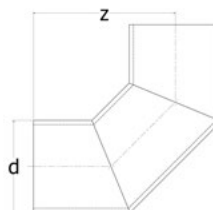
aquatherm ELBOW 45° (MOLDED, BUTT-FUSION)

The length of some fittings may not accommodate all butt-fusion equipment. Verify the equipment to be used is compatible with the fittings when ordering.



| SDR | Part No. | Dimension (ND — OD) | d | z | Weight [lb] |
|------|----------|------------------------|------|------|----------------|
| | | | [in] | [in] | |
| 7.4 | 0112530 | 6" — 160 mm | 6.30 | 3.74 | 4.20 |
| 9 | 0312530 | 6" — 160 mm | 6.30 | 3.74 | 3.36 |
| | 0312534 | 8" — 200 mm | 7.87 | 5.75 | 7.86 |
| | 0312538 | 10" — 250 mm | 9.84 | 7.17 | 15.3 |
| 11 | 0112531 | 6" — 160 mm | 6.90 | 3.74 | 3.07 |
| | 8112535 | 8" — 200 mm | 7.87 | 5.75 | 6.64 |
| | 8112539 | 10" — 250 mm | 9.84 | 7.17 | 13.0 |
| 17.6 | 8412530 | 6" — 160 mm | 6.30 | 3.74 | 2.38 |
| | 8412534 | 8" — 200 mm | 7.87 | 5.75 | 4.52 |
| | 8412538 | 10" — 250 mm | 9.84 | 7.17 | 8.82 |

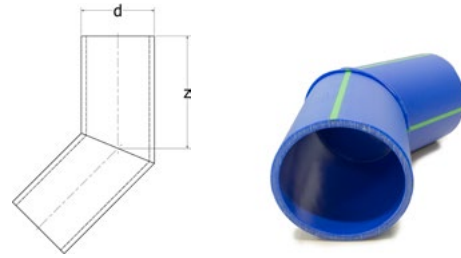
aquatherm blue pipe® ELBOW 90° SD (SEGMENTED, BUTT FUSION)



| SDR | Part no. | Dimension (ND — OD) | d | z | Weight [lb] |
|---------|--------------|------------------------|------|------------------|----------------|
| | | | [in] | [in, +0.25/-0.0] | |
| 9 | 7212130 | 6" — 160 mm | 6.30 | 9.00 | 11.4 |
| | 7212134 | 8" — 200 mm | 7.87 | 12.0 | 19.2 |
| | 7212138 | 10" — 250 mm | 9.84 | 15.0 | 45.5 |
| | 7212142 | 12" — 315 mm | 12.4 | 18.0 | 54.3 |
| | 7212144 | 14" — 355 mm | 14.0 | 21.0 | 80.4 |
| 11 | 7512126 | 4" — 125 mm | 4.92 | 8.25 | 3.97 |
| | 7512130 | 6" — 160 mm | 6.30 | 9.00 | 6.25 |
| | 7512134 | 8" — 200 mm | 7.87 | 12.0 | 12.5 |
| | 7512138 | 10" — 250 mm | 9.84 | 15.0 | 24.3 |
| | 7512142 | 12" — 315 mm | 12.4 | 18.0 | 46.0 |
| | 7512144 | 14" — 355 mm | 14.0 | 21.0 | 67.0 |
| | 7512146 | 16" — 400 mm | 15.8 | 24.0 | 97.0 |
| | 7512148 | 18" — 450 mm | 17.7 | 27.0 | 138 |
| 17.6 | 7412126 | 4" — 125 mm | 4.92 | 8.25 | 3.12 |
| | 7412130 | 6" — 160 mm | 6.30 | 9.00 | 4.25 |
| | 7412134 | 8" — 200 mm | 7.87 | 12.0 | 8.25 |
| | 7412138 | 10" — 250 mm | 9.84 | 15.0 | 15.8 |
| | 7412142 | 12" — 315 mm | 12.4 | 18.0 | 30.0 |
| | 7412144 | 14" — 355 mm | 14.0 | 21.0 | 44.0 |
| | 7412146 | 16" — 400 mm | 15.8 | 24.0 | 63.0 |
| | 7412148 | 18" — 450 mm | 17.8 | 27.0 | 90.0 |
| | 7412150 | 20" — 500 mm | 19.7 | 30.0 | 123 |
| | 7412152 | 22" — 560 mm | 22.1 | 33.0 | 154 |
| 7412154 | 24" — 630 mm | 24.8 | 36.0 | 233 | |

PRODUCT RANGE - FITTINGS

aquatherm blue pipe® ELBOW 45° SD (SEGMENTED, BUTT-FUSION)



| SDR | Part no. | Dimension (ND — OD) | d | z | Weight |
|---------|----------------------|------------------------|------|------------------|--------|
| | | | [in] | [in, +0.25/-0.0] | [lb] |
| 9 | 7212530 | 6" — 160 mm | 6.30 | 7.44 | 6.71 |
| | 7212534 | 8" — 200 mm | 7.87 | 9.94 | 14.0 |
| | 7212538 | 10" — 250 mm | 9.84 | 6.25 | 13.7 |
| | 7212542 | 12" — 315 mm | 12.4 | 7.50 | 26.1 |
| | 7212544 | 14" — 355 mm | 14.0 | 8.75 | 38.7 |
| 11 | 7512526 | 4" — 125 mm | 4.92 | 5.00 | 2.30 |
| | 7512530 ^a | 6" — 160 mm | 6.30 | 7.44 | 6.00 |
| | 7512534 ^a | 8" — 200 mm | 7.87 | 9.94 | 6.25 |
| | 7512538 | 10" — 250 mm | 9.84 | 6.25 | 12.0 |
| | 7512542 | 12" — 315 mm | 12.4 | 7.50 | 22.0 |
| | 7512544 | 14" — 355 mm | 14.0 | 8.75 | 33.0 |
| | 7512546 | 16" — 400 mm | 15.8 | 10.0 | 48.0 |
| | 7512548 | 18" — 450 mm | 17.7 | 11.3 | 67.0 |
| 17.6 | 7412526 | 4" — 125 mm | 4.92 | 5.00 | 1.59 |
| | 7412530 ^a | 6" — 160 mm | 6.30 | 7.44 | 4.00 |
| | 7412534 ^a | 8" — 200 mm | 7.87 | 9.94 | 4.25 |
| | 7412538 | 10" — 250 mm | 9.84 | 6.25 | 8.00 |
| | 7412542 | 12" — 315 mm | 12.4 | 7.50 | 15.0 |
| | 7412544 | 14" — 355 mm | 14.0 | 8.75 | 22.0 |
| | 7412546 | 16" — 400 mm | 15.8 | 10.0 | 31.0 |
| | 7412548 | 18" — 450 mm | 17.7 | 11.3 | 44.0 |
| | 7412550 | 20" — 500 mm | 19.7 | 12.5 | 60.0 |
| | 7412552 | 22" — 560 mm | 22.1 | 13.5 | 81.0 |
| 7412554 | 24" — 630 mm | 24.8 | 15.0 | 114 | |

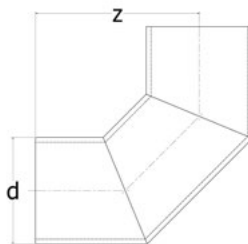
^aMade with the Z-value of the ANSI B16.9 3D fittings with a larger Z-value.

aquatherm green pipe® ELBOW 90° SD (SEGMENTED, BUTT-FUSION)



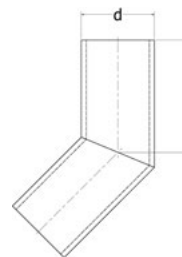
| SDR | Part no. | Dimension (ND — OD) | d | z | Weight |
|--------------|----------|------------------------|------|------------------|--------|
| | | | [in] | [in, +0.25/-0.0] | [lb] |
| 7.4 Faser | 7312130 | 6" — 160 mm | 6.30 | 9.00 | 8.75 |
| | 7312134 | 8" — 200 mm | 7.87 | 12.0 | 18.3 |
| | 7312138 | 10" — 250 mm | 9.84 | 15.0 | 35.0 |

aquatherm green pipe® ELBOW 90° SD (SEGMENTED, BUTT-FUSION)



| SDR | Part no. | Dimension (ND — OD) | d | z | Weight |
|---------------------|----------|------------------------|------|------------------|--------|
| | | | [in] | [in, +0.25/-0.0] | [lb] |
| 11 Non- Faser | 7112130 | 6" — 160 mm | 6.30 | 9.00 | 6.00 |
| | 7112134 | 8" — 200 mm | 7.87 | 12.0 | 12.3 |
| | 7112138 | 10" — 250 mm | 9.84 | 15.0 | 23.8 |
| | 7112142 | 12" — 315 mm | 12.4 | 18.0 | 44.0 |
| | 7112144 | 14" — 355 mm | 14.0 | 21.0 | 65.0 |
| | 7112146 | 16" — 400 mm | 15.8 | 24.0 | 94.0 |
| | 7112148 | 18" — 450 mm | 17.7 | 27.0 | 133 |

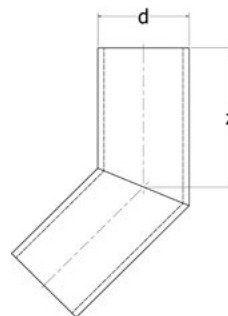
aquatherm green pipe® ELBOW 45° SD (SEGMENTED, BUTT-FUSION)



| SDR | Part no. | Dimension (ND — OD) | d | z | Weight |
|--------------|----------------------|------------------------|------|------------------|--------|
| | | | [in] | [in, +0.25/-0.0] | [lb] |
| 7.4 Faser | 7312530 ^a | 6" — 160 mm | 6.30 | 7.44 | 8.50 |
| | 7312534 ^a | 8" — 200 mm | 7.87 | 9.94 | 9.00 |
| | 7312538 | 10" — 250 mm | 9.84 | 6.25 | 17.0 |

^aMade with the Z-value of the ANSI B16.9 3D fittings with a larger Z-value.

aquatherm green pipe® ELBOW 45° SD (SEGMENTED, BUTT-FUSION)

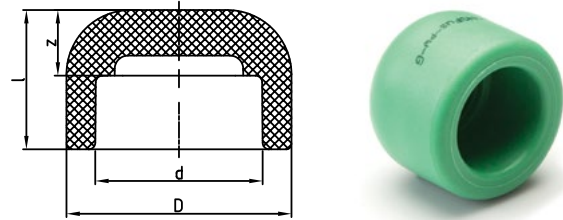


| SDR | Part no. | Dimension (ND — OD) | d | z | Weight |
|---------------------|----------------------|------------------------|------|------------------|--------|
| | | | [in] | [in, +0.25/-0.0] | [lb] |
| 11 Non- Faser | 7112530 ^a | 6" — 160 mm | 6.30 | 7.44 | 5.75 |
| | 7112534 ^a | 8" — 200 mm | 7.87 | 9.94 | 6.00 |
| | 7112538 | 10" — 250 mm | 9.84 | 6.25 | 11.3 |
| | 7112542 | 12" — 315 mm | 12.4 | 7.50 | 21.0 |
| | 7112544 | 14" — 355 mm | 14.0 | 8.75 | 32.0 |
| | 7112546 | 16" — 400 mm | 15.8 | 10.0 | 46.0 |
| | 7112548 | 18" — 450 mm | 17.7 | 11.3 | 65.0 |

^aMade with the Z-value of the ANSI B16.9 3D fittings with a larger Z-value.

PRODUCT RANGE - FITTINGS

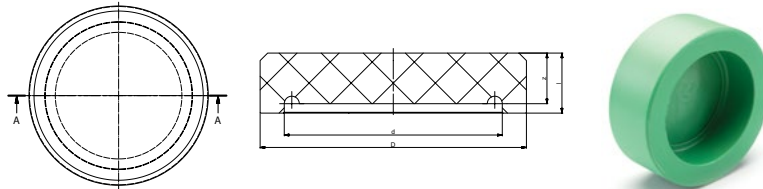
aquatherm END CAP (SOCKET)



| Part no. | Dimension (ND — OD) | d | z | L | D | Weight |
|----------|------------------------|------|------|------|------|--------|
| | | [in] | [in] | [in] | [in] | [lb] |
| 0114108 | ½" — 20 mm | 0.79 | 0.37 | 0.94 | 1.16 | 0.02 |
| 0114110 | ¾" — 25 mm | 0.98 | 0.31 | 0.94 | 1.34 | 0.02 |
| 0114112 | 1" — 32 mm | 1.26 | 0.53 | 1.24 | 1.69 | 0.05 |
| 0114114 | 1 ¼" — 40 mm | 1.57 | 0.69 | 1.50 | 2.05 | 0.09 |
| 0114116 | 1 ½" — 50 mm | 1.97 | 0.83 | 1.75 | 2.68 | 0.18 |
| 0114118 | 2" — 63 mm | 2.48 | 0.96 | 2.05 | 3.31 | 0.32 |
| 0114120 | 2 ½" — 75 mm | 2.95 | 1.12 | 2.30 | 3.94 | 0.54 |
| 0114122 | 3" — 90 mm | 3.54 | 1.36 | 2.26 | 4.72 | 0.80 |
| 0114124 | 3 ½" — 110 mm | 4.33 | 1.10 | 2.56 | 5.79 | 1.40 |
| 0114126 | 4" — 125 mm | 4.92 | 1.18 | 2.76 | 6.57 | 1.92 |

aquatherm END CAP (BUTT-FUSION)

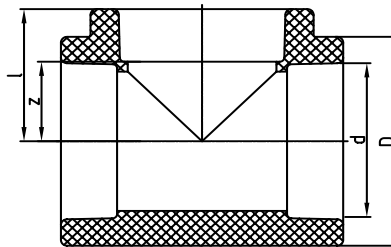
These fittings can be used with either the **aquatherm green pipe**® or **aquatherm blue pipe**® systems, but are all molded from the green **fusiole**® material. The SDR of the fittings must match the SDR of the pipe.



| SDR | Part no. | Dimension (ND — OD) | D | d | l | z | Weight |
|------|----------|------------------------|------|------|------|------|--------|
| | | | [in] | [in] | [in] | [in] | [lb] |
| 7.4 | 0114130 | 6" — 160 mm | 6.30 | 4.60 | 2.76 | 1.16 | 1.93 |
| | 0114134 | 8" — 200 mm | 7.87 | 5.75 | 3.15 | 1.08 | 3.08 |
| | 0114138 | 10" — 250 mm | 9.84 | 7.18 | 3.54 | 1.48 | 5.58 |
| | 0114142 | 12" — 315 mm | 12.4 | 9.05 | 1.97 | 1.57 | 9.70 |
| | 0114144 | 14" — 355 mm | 14.0 | 10.2 | - | - | 14.6 |
| 9 | 0314130 | 6" — 160 mm | 6.30 | 4.90 | 2.76 | 0.86 | 1.87 |
| | 0314134 | 8" — 200 mm | 7.87 | 6.11 | 3.15 | 1.18 | 3.03 |
| | 0314138 | 10" — 250 mm | 9.84 | 7.65 | 3.54 | 1.34 | 6.30 |
| | 0314142 | 12" — 315 mm | 12.4 | 9.63 | 2.76 | 2.07 | 11.2 |
| | 0314144 | 14" — 355 mm | 14.0 | 10.9 | 3.15 | 2.62 | 15.5 |
| 11 | 0114131 | 6" — 160 mm | 6.30 | 5.15 | 2.76 | 0.55 | 1.67 |
| | 0114135 | 8" — 200 mm | 7.87 | 6.44 | 3.15 | 0.72 | 2.36 |
| | 0114139 | 10" — 250 mm | 9.84 | 8.06 | 3.54 | 0.89 | 4.38 |
| | 0114143 | 12" — 315 mm | 12.4 | 10.1 | 2.76 | 2.07 | 13.7 |
| | 0114145 | 14" — 355 mm | 14.0 | 11.4 | 3.15 | 2.66 | 20.9 |
| | 0114147 | 16" — 400 mm | 15.8 | 12.9 | 2.76 | 2.36 | 18.8 |
| | 0114149 | 18" — 450 mm | 17.7 | 14.5 | 3.15 | 2.76 | 26.9 |
| 17.6 | 2514130 | 6" — 160 mm | 6.30 | 5.58 | 2.76 | 0.57 | 1.50 |
| | 2514134 | 8" — 200 mm | 7.87 | 6.98 | 3.15 | 0.72 | 2.04 |
| | 2514138 | 10" — 250 mm | 9.84 | 8.72 | 3.54 | 1.35 | 4.65 |
| | 2514142 | 12" — 315 mm | 12.4 | 11.0 | 2.76 | 2.36 | 6.53 |
| | 2514144 | 14" — 355 mm | 14.0 | 12.4 | 2.76 | 2.36 | 8.66 |
| | 2514146 | 16" — 400 mm | 15.8 | 14.0 | 2.95 | 2.56 | 13.6 |
| | 2514148 | 18" — 450 mm | 17.7 | 15.7 | 2.76 | 2.20 | 18.8 |
| | 2514150 | 20" — 500 mm | 19.7 | 17.5 | 2.95 | 2.44 | 27.6 |
| | 2514152 | 22" — 560 mm | 22.1 | 19.6 | 3.15 | 2.74 | 35.3 |
| | 2514154 | 24" — 630 mm | 24.8 | 22.0 | 3.54 | 3.07 | 51.8 |

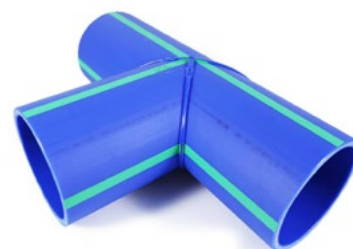
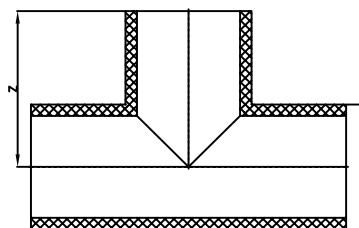
aquatherm TEE (MOLDED, SOCKET)

The length of some fittings may not accommodate all butt-fusion equipment. Verify the equipment to be used is compatible with the fittings when ordering.



| Part no. | Dimension (ND — OD) | d | z | l | D | Weight |
|----------|------------------------|------|------|------|------|--------|
| | | [in] | [in] | [in] | [in] | [lb] |
| 0113108 | ½" — 20 mm | 0.79 | 0.43 | 1.00 | 1.16 | 0.05 |
| 0113110 | ¾" — 25 mm | 0.98 | 0.59 | 1.22 | 1.34 | 0.07 |
| 0113112 | 1" — 32 mm | 1.26 | 0.67 | 1.38 | 1.69 | 0.12 |
| 0113114 | 1 ¼" — 40 mm | 1.57 | 0.79 | 1.59 | 2.05 | 0.22 |
| 0113116 | 1 ½" — 50 mm | 1.97 | 1.02 | 1.95 | 2.68 | 0.39 |
| 0113118 | 2" — 63 mm | 2.48 | 1.28 | 2.36 | 3.31 | 0.81 |
| 0113120 | 2 ½" — 75 mm | 2.95 | 1.52 | 2.70 | 3.94 | 1.19 |
| 0113122 | 3" — 90 mm | 3.54 | 1.81 | 3.11 | 4.72 | 2.03 |
| 0113124 | 3 ½" — 110 mm | 4.33 | 2.20 | 3.66 | 5.79 | 3.52 |
| 0113126 | 4" — 125 mm | 4.92 | 3.01 | 4.59 | 6.57 | 5.89 |

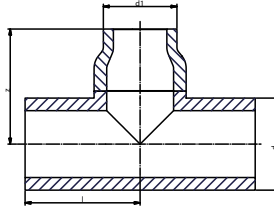
aquatherm blue pipe® TEE (SEGMENTED, BUTT-FUSION)



| SDR | Part No. | Dimension (ND — OD) | d | z | Weight |
|------|----------|------------------------|------|------------------|--------|
| | | | [in] | [in, +0.25/-0.0] | |
| 9 | 0813130 | 6" — 160 mm | 6.30 | 9.06 | 10.8 |
| | 0813134 | 8" — 200 mm | 7.87 | 11.8 | 24.9 |
| | 0813138 | 10" — 250 mm | 9.84 | 14.8 | 48.7 |
| | 0813142 | 12" — 315 mm | 12.4 | 18.1 | 94.6 |
| | 0813144 | 14" — 355 mm | 14.0 | 18.9 | 125.4 |
| 11 | 2613127 | 4" — 125 mm | 4.92 | 8.25 | 5.15 |
| | 2613131 | 6" — 160 mm | 6.30 | 9.06 | 9.05 |
| | 2613135 | 8" — 200 mm | 7.87 | 11.8 | 15.8 |
| | 2613139 | 10" — 250 mm | 9.84 | 14.8 | 38.5 |
| | 2013143 | 12" — 315 mm | 12.4 | 18.1 | 74.0 |
| | 2013145 | 14" — 355 mm | 14.0 | 18.9 | 97.0 |
| | 2013147 | 16" — 400 mm | 15.8 | 19.7 | 127 |
| | 2013149 | 18" — 450 mm | 17.7 | 20.7 | 166 |
| 17.6 | 2513126 | 4" — 125 mm | 4.92 | 8.25 | 3.57 |
| | 2513130 | 6" — 160 mm | 6.30 | 9.06 | 6.25 |
| | 2513134 | 8" — 200 mm | 7.87 | 11.8 | 10.3 |
| | 2513138 | 10" — 250 mm | 9.84 | 14.8 | 25.0 |
| | 2513142 | 12" — 315 mm | 12.4 | 18.1 | 48.0 |
| | 2513144 | 14" — 355 mm | 14.0 | 18.9 | 63.0 |
| | 2513146 | 16" — 400 mm | 15.8 | 19.7 | 82.0 |
| | 2513148 | 18" — 450 mm | 17.7 | 20.7 | 108 |
| | 2513150 | 20" — 500 mm | 19.7 | 23.6 | 152 |
| | 2513152 | 22" — 560 mm | 22.1 | 24.8 | 197 |
| | 2513154 | 24" — 630 mm | 24.1 | 26.2 | 265 |

PRODUCT RANGE - FITTINGS

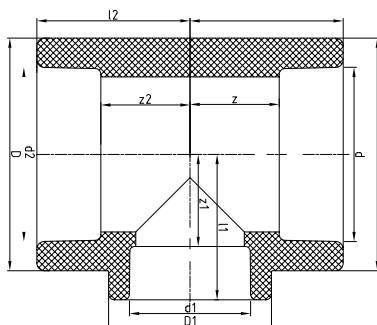
aquatherm blue pipe® REDUCING TEE (REDUCER) (inlet, outlet, branch)



| SDR | Part no. | Dimension (ND — OD) | d | d1 | l | z | Weight |
|---------|--------------------------------------|--------------------------------------|------|------|------|------------------|--------|
| | | | [in] | [in] | [in] | [in, +0.25/-0.0] | [lb] |
| 9 | 0813604 | 6" x 6" x 4" — 160 x 160 x 125 mm | 6.30 | 4.92 | 9.06 | 9.06 | 12.6 |
| | 0813618 | 8" x 8" x 6" — 200 x 200 x 160 mm | 7.87 | 6.30 | 11.8 | 11.8 | 24.7 |
| | 0813634 | 10" x 10" x 6" — 250 x 250 x 160 mm | 9.84 | 6.30 | 14.8 | 14.8 | 47.6 |
| | 0813640 | 10" x 10" x 8" — 250 x 250 x 200 mm | 9.84 | 7.87 | 14.8 | 14.8 | 48.3 |
| | 0813908 | 12" x 12" x 8" — 315 x 315 x 200 mm | 12.4 | 7.87 | 18.1 | 18.1 | 93.1 |
| | 0813910 | 12" x 12" x 10" — 315 x 315 x 250 mm | 12.4 | 9.84 | 18.1 | 18.1 | 94.6 |
| | 0813922 | 14" x 14" x 10" — 355 x 355 x 250 mm | 14.0 | 9.84 | 18.9 | 18.9 | 122.8 |
| | 0813924 | 14" x 14" x 12" — 355 x 355 x 315 mm | 14.0 | 12.4 | 18.9 | 18.9 | 122.2 |
| 11 | 2613605 ^a | 6" x 6" x 4" — 160 x 160 x 125 mm | 6.30 | 4.92 | 9.06 | 9.06 | 9.12 |
| | 2613619 | 8" x 8" x 6" — 200 x 200 x 160 mm | 7.87 | 6.30 | 11.8 | 12.0 | 18.0 |
| | 2613635 | 10" x 10" x 6" — 250 x 250 x 160 mm | 9.84 | 6.30 | 14.8 | 14.8 | 35.1 |
| | 2613641 | 10" x 10" x 8" — 250 x 250 x 200 mm | 9.84 | 7.87 | 14.8 | 14.8 | 35.2 |
| | 2013655 | 12" x 12" x 8" — 315 x 315 x 200 mm | 12.4 | 7.87 | 18.1 | 18.1 | 66.3 |
| | 2013657 | 12" x 12" x 10" — 315 x 315 x 250 mm | 12.4 | 9.84 | 18.1 | 18.1 | 66.7 |
| | 2013669 | 14" x 14" x 10" — 355 x 355 x 250 mm | 14.0 | 9.84 | 18.9 | 18.9 | 83.9 |
| | 2013671 | 14" x 14" x 12" — 355 x 355 x 315 mm | 14.0 | 12.4 | 18.9 | 18.9 | 90.3 |
| | 2013684 | 16" x 16" x 12" — 400 x 400 x 315 mm | 15.8 | 12.4 | 19.7 | 19.7 | 108 |
| | 2013685 | 16" x 16" x 14" — 400 x 400 x 355 mm | 15.8 | 14.0 | 19.7 | 19.7 | 107 |
| | 2013699 | 18" x 18" x 14" — 450 x 450 x 355 mm | 17.7 | 14.0 | 20.7 | 20.7 | 146 |
| | 2013700 | 18" x 18" x 16" — 450 x 450 x 400 mm | 17.7 | 15.8 | 20.7 | 20.7 | 146 |
| 17.6 | 2513604 ^a | 6" x 6" x 4" — 160 x 160 x 125 mm | 6.30 | 4.92 | 9.06 | 9.06 | 6.39 |
| | 2513618 | 8" x 8" x 6" — 200 x 200 x 160 mm | 7.87 | 6.30 | 11.8 | 12.0 | 12.2 |
| | 2513634 | 10" x 10" x 6" — 250 x 250 x 160 mm | 9.84 | 6.30 | 14.8 | 14.8 | 22.7 |
| | 2513640 | 10" x 10" x 8" — 250 x 250 x 200 mm | 9.84 | 7.87 | 14.8 | 14.8 | 22.3 |
| | 2513655 | 12" x 12" x 8" — 315 x 315 x 200 mm | 12.4 | 7.87 | 18.1 | 18.1 | 48.0 |
| | 2513657 | 12" x 12" x 10" — 315 x 315 x 250 mm | 12.4 | 9.84 | 18.1 | 18.1 | 44.5 |
| | 2513669 | 14" x 14" x 10" — 355 x 355 x 250 mm | 14.0 | 9.84 | 18.9 | 18.9 | 54.6 |
| | 2513671 | 14" x 14" x 12" — 355 x 355 x 315 mm | 14.0 | 12.4 | 18.9 | 18.9 | 58.6 |
| | 2513684 | 16" x 16" x 12" — 400 x 400 x 315 mm | 15.8 | 12.4 | 19.7 | 19.7 | 69.3 |
| | 2513685 | 16" x 16" x 14" — 400 x 400 x 355 mm | 15.8 | 14.0 | 19.7 | 19.7 | 68.6 |
| | 2513699 | 18" x 18" x 14" — 450 x 450 x 355 mm | 17.7 | 14.0 | 20.7 | 20.7 | 94.6 |
| | 2513700 | 18" x 18" x 16" — 450 x 450 x 400 mm | 17.7 | 15.8 | 20.7 | 20.7 | 93.8 |
| | 2513813 | 20" x 20" x 14" — 500 x 500 x 355 mm | 19.7 | 14.0 | 23.6 | 23.6 | 137 |
| | 2513814 | 20" x 20" x 16" — 500 x 500 x 400 mm | 19.7 | 15.8 | 23.6 | 23.6 | 137 |
| | 2513815 | 20" x 20" x 18" — 500 x 500 x 450 mm | 19.7 | 17.7 | 23.6 | 23.6 | 135 |
| | 2513831 | 22" x 22" x 16" — 560 x 560 x 400 mm | 22.1 | 15.8 | 24.8 | 24.8 | 180 |
| | 2513832 | 22" x 22" x 18" — 560 x 560 x 450 mm | 22.1 | 17.7 | 24.8 | 24.8 | 182 |
| | 2513833 | 22" x 22" x 20" — 560 x 560 x 500 mm | 22.1 | 19.7 | 24.8 | 24.8 | 180 |
| | 2513849 | 24" x 24" x 16" — 630 x 630 x 400 mm | 24.8 | 15.8 | 26.2 | 26.2 | 246 |
| | 2513850 | 24" x 24" x 18" — 630 x 630 x 450 mm | 24.8 | 17.7 | 26.2 | 26.2 | 247 |
| 2513851 | 24" x 24" x 20" — 630 x 630 x 500 mm | 24.8 | 19.7 | 26.2 | 26.2 | 242 | |
| 2513852 | 24" x 24" x 22" — 630 x 630 x 560 mm | 24.8 | 22.1 | 26.2 | 26.2 | 237 | |

^a 4" branch is socket fusion. If needed, branch can come with a 1ft extension to be used for butt-fusion.

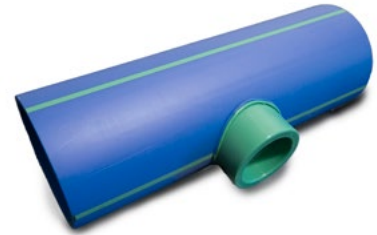
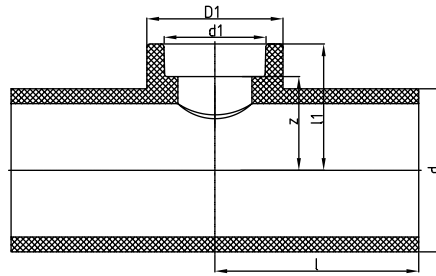
aquatherm REDUCING TEE (MOLDED, SOCKET) (inlet, outlet, branch)



| Part no. | Dimension (ND — OD) | d | d1 | d2 | l | l1 | l2 | z | z1 | z2 | D | D1 | Weight |
|----------|--|------|------|------|------|------|------|------|------|------|------|------|--------|
| | | [in] | [in] | [in] | [in] | [in] | [in] | [in] | [in] | [in] | [in] | [in] | [lb] |
| 0113511 | ½" x ½" x ¾" — 20 x 20 x 25 mm | 0.79 | 0.98 | 0.79 | 1.22 | 1.20 | 1.22 | 0.65 | 0.57 | 0.65 | 1.34 | 1.34 | 0.09 |
| 0113520 | ¾" x ½" x ½" — 25 x 20 x 20 mm | 0.98 | 0.79 | 0.79 | 1.22 | 1.20 | 1.22 | 0.65 | 0.63 | 0.65 | 1.34 | 1.34 | 0.08 |
| 0113522 | ¾" x ¾" x ½" — 25 x 25 x 20 mm | 0.98 | 0.79 | 0.98 | 1.22 | 1.20 | 1.22 | 0.65 | 0.63 | 0.65 | 1.34 | 1.34 | 0.08 |
| 0113532 | 1" x ½" x ½" — 32 x 20 x 20 mm | 1.26 | 0.79 | 0.79 | 1.44 | 1.46 | 1.44 | 0.74 | 0.89 | 0.74 | 1.69 | 1.69 | 0.17 |
| 0113534 | 1" x 1" x ½" — 32 x 32 x 20 mm | 1.26 | 0.79 | 1.26 | 1.38 | 1.22 | 1.38 | 0.67 | 0.65 | 0.67 | 1.69 | 1.16 | 0.12 |
| 0113538 | 1" x ¾" x ¾" — 32 x 25 x 25 mm | 1.26 | 0.98 | 0.98 | 1.38 | 1.36 | 1.38 | 0.67 | 0.73 | 0.67 | 1.69 | 1.69 | 0.15 |
| 0113540 | 1" x 1" x ¾" — 32 x 32 x 25 mm | 1.26 | 0.98 | 1.26 | 1.38 | 1.36 | 1.38 | 0.67 | 0.73 | 0.67 | 1.69 | 1.69 | 0.11 |
| 0113542 | 1 ¼" x 1 ¼" x ½" — 40 x 40 x 20 mm | 1.57 | 0.79 | 1.57 | 1.63 | 1.42 | 1.63 | 0.83 | 0.85 | 0.83 | 2.05 | 1.34 | 0.20 |
| 0113544 | 1 ¼" x 1 ¼" x ¾" — 40 x 40 x 25 mm | 1.57 | 0.98 | 1.57 | 1.63 | 1.42 | 1.63 | 0.83 | 0.79 | 0.83 | 2.05 | 1.34 | 0.20 |
| 0113546 | 1 ¼" x 1 ¼" x 1" — 40 x 40 x 32 mm | 1.57 | 1.26 | 1.57 | 1.65 | 1.59 | 1.65 | 0.85 | 0.89 | 0.85 | 2.05 | 2.05 | 0.20 |
| 0113547 | 1 ½" x 1 ½" x ½" — 50 x 50 x 20 mm | 1.97 | 0.79 | 1.97 | 1.95 | 1.59 | 1.95 | 1.02 | 1.02 | 1.02 | 2.68 | 1.16 | 0.36 |
| 0113548 | 1 ½" x 1 ½" x ¾" — 50 x 50 x 25 mm | 1.97 | 0.98 | 1.97 | 1.95 | 1.75 | 1.95 | 1.02 | 1.12 | 1.02 | 2.68 | 1.69 | 0.35 |
| 0113550 | 1 ½" x 1 ½" x 1" — 50 x 50 x 32 mm | 1.97 | 1.26 | 1.97 | 1.95 | 1.75 | 1.95 | 1.02 | 1.04 | 1.02 | 2.68 | 1.69 | 0.35 |
| 0113551 | 1 ½" x 1 ½" x 1 ¼" — 50 x 50 x 40 mm | 1.97 | 1.57 | 1.97 | 1.95 | 1.95 | 1.95 | 1.02 | 1.14 | 1.02 | 2.68 | 2.68 | 0.36 |
| 0113552 | 2" x 2" x ½" — 63 x 63 x 20 mm | 2.48 | 0.79 | 2.48 | 2.36 | 1.91 | 2.36 | 1.28 | 1.34 | 1.28 | 3.31 | 1.34 | 0.74 |
| 0113554 | 2" x 2" x ¾" — 63 x 63 x 25 mm | 2.48 | 0.98 | 2.48 | 2.36 | 1.91 | 2.36 | 1.28 | 1.28 | 1.28 | 3.31 | 1.34 | 0.73 |
| 0113556 | 2" x 2" x 1" — 63 x 63 x 32 mm | 2.48 | 1.26 | 2.48 | 2.36 | 2.11 | 2.36 | 1.28 | 1.40 | 1.28 | 3.31 | 2.05 | 0.75 |
| 0113558 | 2" x 2" x 1 ¼" — 63 x 63 x 40 mm | 2.48 | 1.57 | 2.48 | 2.36 | 2.11 | 2.36 | 1.28 | 1.30 | 1.28 | 3.31 | 2.05 | 0.73 |
| 0113560 | 2" x 2" x 1 ½" — 63 x 63 x 50 mm | 2.48 | 1.97 | 2.48 | 2.36 | 2.36 | 2.36 | 1.28 | 1.44 | 1.28 | 3.31 | 3.31 | 0.88 |
| 0113561 | 2 ½" x 2 ½" x ½" — 75 x 75 x 20 mm | 2.95 | 0.79 | 2.95 | 2.70 | 2.15 | 2.70 | 1.52 | 1.57 | 1.52 | 3.94 | 1.34 | 1.10 |
| 0113562 | 2 ½" x 2 ½" x ¾" — 75 x 75 x 25 mm | 2.95 | 0.98 | 2.95 | 2.70 | 2.15 | 2.70 | 1.52 | 1.52 | 1.52 | 3.94 | 1.34 | 1.10 |
| 0113564 | 2 ½" x 2 ½" x 1" — 75 x 75 x 32 mm | 2.95 | 1.26 | 2.95 | 2.70 | 2.32 | 2.70 | 1.52 | 1.61 | 1.52 | 3.94 | 2.05 | 1.11 |
| 0113566 | 2 ½" x 2 ½" x 1 ¼" — 75 x 75 x 40 mm | 2.95 | 1.57 | 2.95 | 2.70 | 2.32 | 2.70 | 1.52 | 1.52 | 1.52 | 3.94 | 2.05 | 1.10 |
| 0113568 | 2 ½" x 2 ½" x 1 ½" — 75 x 75 x 50 mm | 2.95 | 1.97 | 2.95 | 2.70 | 2.60 | 2.70 | 1.52 | 1.67 | 1.52 | 3.94 | 3.31 | 1.21 |
| 0113570 | 2 ½" x 2 ½" x 2" — 75 x 75 x 63 mm | 2.95 | 2.48 | 2.95 | 2.70 | 2.60 | 2.70 | 1.52 | 1.52 | 1.52 | 3.94 | 3.31 | 1.13 |
| 0113576 | 3" x 3" x 1" — 90 x 90 x 32 mm | 3.54 | 1.26 | 3.54 | 3.11 | 2.56 | 3.11 | 1.81 | 1.85 | 1.81 | 4.72 | 2.05 | 1.94 |
| 0113578 | 3" x 3" x 1 ¼" — 90 x 90 x 40 mm | 3.54 | 1.57 | 3.54 | 3.11 | 2.56 | 3.11 | 1.81 | 1.75 | 1.81 | 4.72 | 2.05 | 1.90 |
| 0113580 | 3" x 3" x 1 ½" — 90 x 90 x 50 mm | 3.54 | 1.97 | 3.54 | 3.11 | 2.95 | 3.11 | 1.81 | 2.03 | 1.81 | 4.72 | 3.31 | 2.00 |
| 0113582 | 3" x 3" x 2" — 90 x 90 x 63 mm | 3.54 | 2.48 | 3.54 | 3.11 | 2.95 | 3.11 | 1.81 | 1.87 | 1.81 | 4.72 | 3.31 | 1.93 |
| 0113584 | 3" x 3" x 2 ½" — 90 x 90 x 75 mm | 3.54 | 2.95 | 3.54 | 3.11 | 3.19 | 3.11 | 1.81 | 2.01 | 1.81 | 4.72 | 4.72 | 2.18 |
| 0113586 | 3 ½" x 3 ½" x 2" — 110 x 110 x 63 mm | 4.33 | 2.48 | 4.33 | 3.66 | 3.44 | 3.66 | 2.20 | 2.36 | 2.20 | 5.79 | 4.33 | 3.44 |
| 0113588 | 3 ½" x 3 ½" x 2 ½" — 110 x 110 x 75 mm | 4.33 | 2.95 | 4.33 | 3.66 | 3.44 | 3.66 | 2.20 | 2.26 | 2.20 | 5.79 | 4.33 | 3.33 |
| 0113590 | 3 ½" x 3 ½" x 3" — 110 x 110 x 90 mm | 4.33 | 3.54 | 4.33 | 3.66 | 3.50 | 3.66 | 2.20 | 2.20 | 2.20 | 5.79 | 4.72 | 3.41 |
| 0113592 | 4" x 4" x 2 ½" — 125 x 125 x 75 mm | 4.92 | 2.95 | 4.92 | 4.59 | 4.19 | 4.59 | 3.01 | 3.01 | 3.01 | 6.57 | 3.94 | 5.35 |
| 0113594 | 4" x 4" x 3" — 125 x 125 x 90 mm | 4.92 | 3.54 | 4.92 | 4.59 | 4.31 | 4.59 | 3.01 | 3.01 | 3.01 | 6.57 | 4.72 | 5.53 |
| 0113596 | 4" x 4" x 3 ½" — 125 x 125 x 110 mm | 4.92 | 4.33 | 4.92 | 4.59 | 4.47 | 4.59 | 3.01 | 3.01 | 3.01 | 6.57 | 5.79 | 5.65 |

PRODUCT RANGE - FITTINGS

aquatherm blue pipe® REDUCING TEE (OUTLET) (inlet, outlet, branch)



| SDR | Part no. | Dimension (ND — OD) | d | d1 | l | l1 | z | D1 | Weight |
|----------------------|--------------------------------------|---|------|------|------|------|------|------|--------|
| | | | [in] | [in] | [in] | [in] | [in] | [in] | [lb] |
| 9 | 0813600 | 6" x 6" x 2 1/2" — 160 x 160 x 75 mm | 6.30 | 2.95 | 9.06 | 4.80 | 3.62 | 3.94 | 8.69 |
| | 0813602 | 6" x 6" x 3" — 160 x 160 x 90 mm | 6.30 | 3.54 | 9.06 | 4.92 | 3.62 | 4.27 | 8.96 |
| | 0813608 | 8" x 8" x 2 1/2" — 200 x 200 x 75 mm | 7.87 | 2.95 | 11.8 | 5.59 | 4.41 | 3.94 | 17.1 |
| | 0813610 | 8" x 8" x 3" — 200 x 200 x 90 mm | 7.87 | 3.54 | 11.8 | 5.71 | 4.41 | 4.27 | 17.4 |
| | 0813612 | 8" x 8" x 3 1/2" — 200 x 200 x 110 mm | 7.87 | 4.33 | 11.8 | 5.87 | 4.41 | 5.79 | 18.0 |
| | 0813614 | 8" x 8" x 4" — 200 x 200 x 125 mm | 7.87 | 4.92 | 11.8 | 6.10 | 4.53 | 6.57 | 18.0 |
| | 0813624 | 10" x 10" x 2 1/2" — 250 x 250 x 75 mm | 9.84 | 2.95 | 14.8 | 6.57 | 5.39 | 3.94 | 32.9 |
| | 0813626 | 10" x 10" x 3" — 250 x 250 x 90 mm | 9.84 | 3.54 | 14.8 | 6.69 | 5.39 | 4.27 | 33.2 |
| | 0813628 | 10" x 10" x 3 1/2" — 250 x 250 x 110 mm | 9.84 | 4.33 | 14.8 | 6.85 | 5.39 | 5.79 | 33.8 |
| | 0813630 | 10" x 10" x 4" — 250 x 250 x 125 mm | 9.84 | 4.92 | 14.8 | 7.09 | 5.51 | 6.57 | 34.2 |
| | 0813904 | 12" x 12" x 4" — 315 x 315 x 125 mm | 12.4 | 4.92 | 18.1 | 8.39 | 6.81 | 6.57 | 63.4 |
| | 0813906 ^a | 12" x 12" x 6" — 315 x 315 x 160 mm | 12.4 | - | 18.1 | 9.37 | - | 6.30 | 65.0 |
| | 0813916 | 14" x 14" x 4" — 355 x 355 x 125 mm | 14.0 | 4.92 | 18.9 | 9.17 | 7.60 | 6.57 | 85.3 |
| | 0813918 ^a | 14" x 14" x 6" — 355 x 355 x 160 mm | 14.0 | - | 18.9 | 10.2 | - | 6.30 | 85.4 |
| 0813920 ^a | 14" x 14" x 8" — 355 x 355 x 200 mm | 14.0 | - | 18.9 | 10.5 | - | 7.87 | 85.5 | |
| 11 | 2613601 | 6" x 6" x 2 1/2" — 160 x 160 x 75 mm | 6.30 | 2.95 | 9.06 | 4.80 | 3.62 | 3.94 | 7.33 |
| | 2613603 | 6" x 6" x 3" — 160 x 160 x 90 mm | 6.30 | 3.54 | 9.06 | 4.92 | 3.62 | 4.72 | 11.4 |
| | 2613609 | 8" x 8" x 2 1/2" — 200 x 200 x 75 mm | 7.87 | 2.95 | 11.8 | 5.59 | 4.41 | 3.94 | 12.0 |
| | 2613611 | 8" x 8" x 3" — 200 x 200 x 90 mm | 7.87 | 3.54 | 11.8 | 5.71 | 4.41 | 4.72 | 12.3 |
| | 2613613 | 8" x 8" x 3 1/2" — 200 x 200 x 110 mm | 7.87 | 4.33 | 11.8 | 5.87 | 4.41 | 5.79 | 12.8 |
| | 2613615 | 8" x 8" x 4" — 200 x 200 x 125 mm | 7.87 | 4.92 | 11.8 | 6.10 | 4.53 | 6.57 | 13.5 |
| | 2613625 | 10" x 10" x 2 1/2" — 250 x 250 x 75 mm | 9.84 | 2.95 | 14.8 | 6.57 | 5.39 | 3.94 | 27.4 |
| | 2613627 | 10" x 10" x 3" — 250 x 250 x 90 mm | 9.84 | 3.54 | 14.8 | 6.69 | 5.39 | 4.72 | 27.4 |
| | 2613629 | 10" x 10" x 3 1/2" — 250 x 250 x 110 mm | 9.84 | 4.33 | 14.8 | 6.85 | 5.39 | 5.79 | 28.1 |
| | 2613631 | 10" x 10" x 4" — 250 x 250 x 125 mm | 9.84 | 4.92 | 14.8 | 7.09 | 5.51 | 6.57 | 28.7 |
| | 2013651 | 12" x 12" x 4" — 315 x 315 x 125 mm | 12.4 | 4.92 | 18.1 | 8.39 | 6.81 | 6.57 | 55.1 |
| | 2013653 ^a | 12" x 12" x 6" — 315 x 315 x 160 mm | 12.4 | - | 18.1 | 9.37 | - | 6.30 | 55.2 |
| | 2013663 | 14" x 14" x 4" — 355 x 355 x 125 mm | 14.0 | 4.92 | 18.9 | 9.17 | 7.60 | 6.57 | 71.7 |
| | 2013665 ^a | 14" x 14" x 6" — 355 x 355 x 160 mm | 14.0 | - | 18.9 | 10.2 | - | 6.30 | 71.7 |
| | 2013667 ^a | 14" x 14" x 8" — 355 x 355 x 200 mm | 14.0 | - | 18.9 | 10.5 | - | 7.87 | 66.6 |
| | 2013676 | 16" x 16" x 4" — 400 x 400 x 125 mm | 15.8 | 4.92 | 19.7 | 10.0 | 8.46 | 6.57 | 92.8 |
| | 2013678 ^a | 16" x 16" x 6" — 400 x 400 x 160 mm | 15.8 | - | 19.7 | 10.1 | - | 6.30 | 97.2 |
| | 2013680 ^a | 16" x 16" x 8" — 400 x 400 x 200 mm | 15.8 | - | 19.7 | 11.0 | - | 7.87 | 97.2 |
| | 2013682 ^a | 16" x 16" x 10" — 400 x 400 x 250 mm | 15.8 | - | 19.7 | 11.0 | - | 9.84 | 101 |
| | 2013690 | 18" x 18" x 4" — 450 x 450 x 125 mm | 17.7 | 4.92 | 20.7 | 11.0 | 9.45 | 6.57 | 123 |
| 2013692 ^a | 18" x 18" x 6" — 450 x 450 x 160 mm | 17.7 | - | 20.7 | 12.0 | - | 6.30 | 128 | |
| 2013694 ^a | 18" x 18" x 8" — 450 x 450 x 200 mm | 17.7 | - | 20.7 | 12.0 | - | 7.87 | 128 | |
| 2013696 ^a | 18" x 18" x 10" — 450 x 450 x 250 mm | 17.7 | - | 20.7 | 12.0 | - | 9.84 | 128 | |
| 2013698 ^a | 18" x 18" x 12" — 450 x 450 x 315 mm | 17.7 | - | 20.7 | 12.4 | - | 12.4 | 129 | |

^aBranch outlet has a butt-fusion connection.

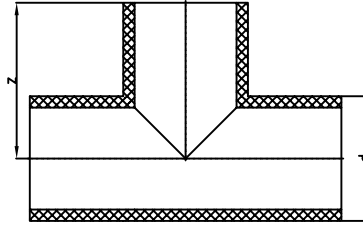
aquatherm blue pipe® REDUCING TEE (OUTLET) (continued)

| SDR | Part no. | Dimension (ND — OD) | d | d1 | l | l1 | z | D1 | Weight |
|----------------------|--------------------------------------|---|------|------|------|------|------|------|--------|
| | | | [in] | [in] | [in] | [in] | [in] | [in] | [lb] |
| 17.6 | 2513600 | 6" x 6" x 2 1/2" — 160 x 160 x 75 mm | 6.30 | 2.95 | 9.06 | 4.80 | 3.62 | 3.94 | 4.91 |
| | 2513602 | 6" x 6" x 3" — 160 x 160 x 90 mm | 6.30 | 3.54 | 9.06 | 4.92 | 3.62 | 4.27 | 5.21 |
| | 2513608 | 8" x 8" x 2 1/2" — 200 x 200 x 75 mm | 7.87 | 2.95 | 11.8 | 5.59 | 4.41 | 3.94 | 7.98 |
| | 2513610 | 8" x 8" x 3" — 200 x 200 x 90 mm | 7.87 | 3.54 | 11.8 | 5.71 | 4.41 | 4.27 | 8.25 |
| | 2513612 | 8" x 8" x 3 1/2" — 200 x 200 x 110 mm | 7.87 | 4.33 | 11.8 | 5.87 | 4.41 | 5.79 | 8.77 |
| | 2513614 | 8" x 8" x 4" — 200 x 200 x 125 mm | 7.87 | 4.92 | 11.8 | 6.10 | 4.53 | 6.57 | 9.41 |
| | 2513624 | 10" x 10" x 2 1/2" — 250 x 250 x 75 mm | 9.84 | 2.95 | 14.8 | 6.57 | 5.39 | 3.94 | 18.0 |
| | 2513626 | 10" x 10" x 3" — 250 x 250 x 90 mm | 9.84 | 3.54 | 14.8 | 6.69 | 5.39 | 4.27 | 18.3 |
| | 2513628 | 10" x 10" x 3 1/2" — 250 x 250 x 110 mm | 9.84 | 4.33 | 14.8 | 6.85 | 5.39 | 5.79 | 18.8 |
| | 2513630 | 10" x 10" x 4" — 250 x 250 x 125 mm | 9.84 | 4.92 | 14.8 | 7.09 | 5.51 | 6.57 | 19.8 |
| | 2513651 | 12" x 12" x 4" — 315 x 315 x 125 mm | 12.4 | 4.92 | 18.1 | 8.39 | 6.81 | 6.57 | 38.7 |
| | 2513653 ^a | 12" x 12" x 6" — 315 x 315 x 160 mm | 12.4 | - | 18.1 | 9.37 | - | 6.30 | 36.8 |
| | 2513663 | 14" x 14" x 4" — 355 x 355 x 125 mm | 14.0 | 4.92 | 18.9 | 9.17 | 7.60 | 6.57 | 47.4 |
| | 2513665 ^a | 14" x 14" x 6" — 355 x 355 x 160 mm | 14.0 | - | 18.9 | 10.2 | - | 6.30 | 47.4 |
| | 2513667 ^a | 14" x 14" x 8" — 355 x 355 x 200 mm | 14.0 | - | 18.9 | 10.5 | - | 7.87 | 48.3 |
| | 2513676 | 16" x 16" x 4" — 400 x 400 x 125 mm | 15.8 | 4.92 | 19.7 | 10.0 | 8.46 | 6.57 | 61.1 |
| | 2513678 ^a | 16" x 16" x 6" — 400 x 400 x 160 mm | 15.8 | - | 19.7 | 11.0 | - | 6.30 | 65.5 |
| | 2513680 ^a | 16" x 16" x 8" — 400 x 400 x 200 mm | 15.8 | - | 19.7 | 11.0 | - | 7.87 | 65.5 |
| | 2513682 ^a | 16" x 16" x 10" — 400 x 400 x 250 mm | 15.8 | - | 19.7 | 11.0 | - | 9.84 | 63.9 |
| | 2513690 | 18" x 18" x 4" — 450 x 450 x 125 mm | 17.7 | 4.92 | 20.7 | 11.0 | 9.45 | 6.57 | 80.4 |
| | 2513692 ^a | 18" x 18" x 6" — 450 x 450 x 160 mm | 17.7 | - | 20.7 | 12.0 | - | 6.30 | 81.6 |
| | 2513694 ^a | 18" x 18" x 8" — 450 x 450 x 200 mm | 17.7 | - | 20.7 | 12.0 | - | 7.87 | 81.6 |
| | 2513696 ^a | 18" x 18" x 10" — 450 x 450 x 250 mm | 17.7 | - | 20.7 | 12.0 | - | 9.84 | 81.6 |
| | 2513698 ^a | 18" x 18" x 12" — 450 x 450 x 315 mm | 17.7 | - | 20.7 | 12.4 | - | 12.4 | 81.6 |
| | 2513804 | 20" x 20" x 4" — 500 x 500 x 125 mm | 19.7 | 4.92 | 23.6 | 12.0 | 10.4 | 6.57 | 113 |
| | 2513806 ^a | 20" x 20" x 6" — 500 x 500 x 160 mm | 19.7 | - | 23.6 | 13.0 | - | 6.30 | 118 |
| | 2513808 ^a | 20" x 20" x 8" — 500 x 500 x 200 mm | 19.7 | - | 23.6 | 13.0 | - | 7.87 | 118 |
| | 2513810 ^a | 20" x 20" x 10" — 500 x 500 x 250 mm | 19.7 | - | 23.6 | 13.0 | - | 9.84 | 118 |
| | 2513812 ^a | 20" x 20" x 12" — 500 x 500 x 315 mm | 19.7 | - | 23.6 | 13.3 | - | 12.4 | 119 |
| | 2513821 | 22" x 22" x 4" — 560 x 560 x 125 mm | 22.1 | 4.92 | 24.8 | 13.2 | 11.6 | 6.57 | 119 |
| 2513839 | 24" x 24" x 4" — 630 x 630 x 125 mm | 24.8 | 4.92 | 26.2 | 14.6 | 13.0 | 6.57 | 197 | |
| 2513841 ^a | 24" x 24" x 6" — 630 x 630 x 160 mm | 24.8 | - | 26.2 | 15.7 | - | 6.30 | 202 | |
| 2513843 ^a | 24" x 24" x 8" — 630 x 630 x 200 mm | 24.8 | - | 26.2 | 15.7 | - | 7.87 | 202 | |
| 2513845 ^a | 24" x 24" x 10" — 630 x 630 x 250 mm | 24.8 | - | 26.2 | 15.7 | - | 9.84 | 202 | |
| 2513847 ^a | 24" x 24" x 12" — 630 x 630 x 315 mm | 24.8 | - | 26.2 | 16.1 | - | 12.4 | 204 | |

^aBranch outlet has a butt-fusion connection.

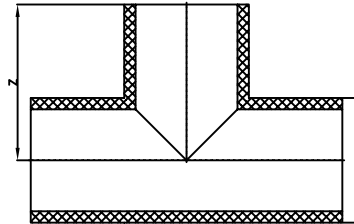
PRODUCT RANGE - FITTINGS

aquatherm green pipe® TEE (SEGMENTED, BUTT-FUSION)



| SDR | Part no. | Dimension (ND — OD) | d | z | Weight |
|--------------|-----------|------------------------|------|------------------|--------|
| | | | [in] | [in, +0.25/-0.0] | [lb] |
| 7.4 Faser | 0113130MF | 6" — 160 mm | 6.30 | 9.06 | 13.1 |
| | 0113134 | 8" — 200 mm | 7.87 | 11.8 | 22.5 |
| | 0113138 | 10" — 250 mm | 9.84 | 14.8 | 55.5 |

aquatherm green pipe® TEE (SEGMENTED, BUTT-FUSION)

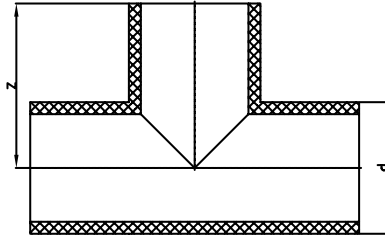


| SDR | Part no. | Dimension (ND — OD) | d | z | Weight |
|---------------------|----------------------|------------------------|------|------------------|--------|
| | | | [in] | [in, +0.25/-0.0] | [lb] |
| 11 Non- Faser | 0113131MF | 6" — 160 mm | 6.30 | 9.06 | 8.63 |
| | 0113135 | 8" — 200 mm | 7.87 | 11.8 | 15.0 |
| | 0113139 | 10" — 250 mm | 9.84 | 14.8 | 36.5 |
| | 0113143 | 12" — 315 mm | 12.4 | 18.1 | 71.0 |
| | 0113145 | 14" — 355 mm | 14.0 | 18.9 | 93.0 |
| | 0113147 ^a | 16" — 400 mm | 15.8 | 19.7 | 122 |
| | 0113149 ^a | 18" — 450 mm | 17.7 | 20.7 | 159 |

^a Mechanically stabilized with a faser-composite layer in the center of the pipe.

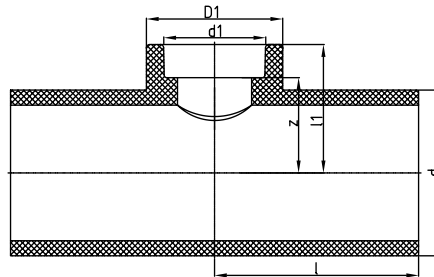
aquatherm TEE (MOLDED, BUTT-FUSION)

The length of some fittings may not accommodate all butt-fusion equipment. Verify the equipment to be used is compatible with the fittings when ordering.



| SDR | Part No. | Dimension (ND — OD) | d | z | Weight [lb] |
|------|----------|------------------------|------|------|----------------|
| | | | [in] | [in] | |
| 7.4 | 0113130 | 6" — 160 mm | 6.30 | 5.71 | 7.94 |
| 9 | 0313130 | 6" — 160 mm | 6.30 | 5.71 | 7.25 |
| | 0313134 | 8" — 200 mm | 7.87 | 8.07 | 14.8 |
| | 0313138 | 10" — 250 mm | 9.84 | 9.57 | 28.1 |
| 11 | 0113131 | 6" — 160 mm | 6.90 | 5.71 | 5.18 |
| | 8113135 | 8" — 200 mm | 7.87 | 8.07 | 12.6 |
| | 8113539 | 10" — 250 mm | 9.84 | 9.57 | 24.1 |
| 17.6 | 8513130 | 6" — 160 mm | 6.30 | 5.71 | 5.18 |
| | 8513134 | 8" — 200 mm | 7.87 | 8.07 | 8.87 |
| | 8513138 | 10" — 250 mm | 9.84 | 9.57 | 17.2 |

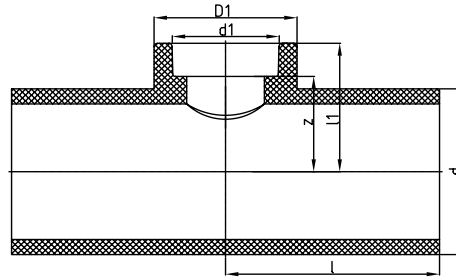
aquatherm green pipe® REDUCING TEE (OUTLET) (inlet, outlet, branch)



| SDR | Part no. | Dimension (ND — OD) | d | d1 | l | l1 | z | D1 | Weight [lb] |
|--------------|----------|---|------|------|------|------|------|------|----------------|
| | | | [in] | [in] | [in] | [in] | [in] | [in] | |
| 7.4 Faser | 0113600 | 6" x 6" x 2 1/2" — 160 x 160 x 75 mm | 6.30 | 2.95 | 9.06 | 4.80 | 3.62 | 3.94 | 9.73 |
| | 0113602 | 6" x 6" x 3" — 160 x 160 x 90 mm | 6.30 | 3.54 | 9.06 | 4.92 | 3.62 | 4.27 | 9.95 |
| | 0113608 | 8" x 8" x 2 1/2" — 200 x 200 x 75 mm | 7.87 | 2.95 | 11.8 | 5.59 | 4.41 | 3.94 | 15.7 |
| | 0113610 | 8" x 8" x 3" — 200 x 200 x 90 mm | 7.87 | 3.54 | 11.8 | 5.71 | 4.41 | 4.27 | 16.6 |
| | 0113612 | 8" x 8" x 3 1/2" — 200 x 200 x 110 mm | 7.87 | 4.33 | 11.8 | 5.87 | 4.41 | 5.79 | 16.2 |
| | 0113614 | 8" x 8" x 4" — 200 x 200 x 125 mm | 7.87 | 4.92 | 11.8 | 6.10 | 4.53 | 6.57 | 16.9 |
| | 0113624 | 10" x 10" x 2 1/2" — 250 x 250 x 75 mm | 9.84 | 2.95 | 14.8 | 6.57 | 5.39 | 3.94 | 36.6 |
| | 0113626 | 10" x 10" x 3" — 250 x 250 x 90 mm | 9.84 | 3.54 | 14.8 | 6.69 | 5.39 | 4.27 | 37.0 |
| | 0113628 | 10" x 10" x 3 1/2" — 250 x 250 x 110 mm | 9.84 | 4.33 | 14.8 | 6.85 | 5.39 | 5.79 | 37.0 |
| | 0113630 | 10" x 10" x 4" — 250 x 250 x 125 mm | 9.84 | 4.92 | 14.8 | 7.09 | 5.51 | 6.57 | 37.5 |

PRODUCT RANGE - FITTINGS

aquatherm green pipe® REDUCING TEE (OUTLET) (inlet, outlet, branch)

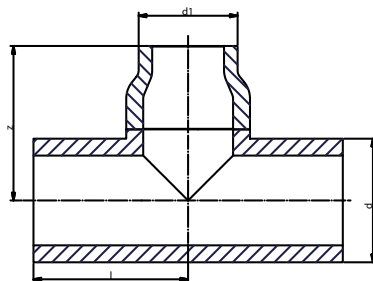


| SDR | Part no. | Dimension (ND — OD) | d | d1 | l | l1 | z | D1 | Weight |
|-----------------------|--------------------------------------|---|------|------|------|------|------|------|--------|
| | | | [in] | [in] | [in] | [in] | [in] | [in] | [lb] |
| 11 Non- Faser | 0113601 | 6" x 6" x 2 1/2" — 160 x 160 x 75 mm | 6.30 | 2.95 | 9.06 | 4.80 | 3.62 | 3.94 | 6.92 |
| | 0113603 | 6" x 6" x 3" — 160 x 160 x 90 mm | 6.30 | 3.54 | 9.06 | 4.92 | 3.62 | 4.27 | 7.00 |
| | 0113609 | 8" x 8" x 2 1/2" — 200 x 200 x 75 mm | 7.87 | 2.95 | 11.8 | 5.59 | 4.41 | 3.94 | 11.7 |
| | 0113611 | 8" x 8" x 3" — 200 x 200 x 90 mm | 7.87 | 3.54 | 11.8 | 5.71 | 4.41 | 4.27 | 11.4 |
| | 0113613 | 8" x 8" x 3 1/2" — 200 x 200 x 110 mm | 7.87 | 4.33 | 11.8 | 5.87 | 4.41 | 5.79 | 12.5 |
| | 0113615 | 8" x 8" x 4" — 200 x 200 x 125 mm | 7.87 | 4.92 | 11.8 | 6.10 | 4.53 | 6.57 | 12.8 |
| | 0113625 | 10" x 10" x 2 1/2" — 250 x 250 x 75 mm | 9.84 | 2.95 | 14.8 | 6.57 | 5.39 | 3.94 | 26.5 |
| | 0113627 | 10" x 10" x 3" — 250 x 250 x 90 mm | 9.84 | 3.54 | 14.8 | 6.69 | 5.39 | 4.27 | 26.5 |
| | 0113629 | 10" x 10" x 3 1/2" — 250 x 250 x 110 mm | 9.84 | 4.33 | 14.8 | 6.85 | 5.39 | 5.79 | 28.7 |
| | 0113631 | 10" x 10" x 4" — 250 x 250 x 125 mm | 9.84 | 4.92 | 14.8 | 7.09 | 5.51 | 6.57 | 26.5 |
| | 0113651 | 12" x 12" x 4" — 315 x 315 x 125 mm | 12.4 | 4.92 | 18.1 | 8.39 | 6.81 | 6.57 | 55.5 |
| | 0113653 ^a | 12" x 12" x 6" — 315 x 315 x 160 mm | 12.4 | - | 18.1 | 9.37 | - | 6.30 | 54.8 |
| | 0113663 | 14" x 14" x 4" — 355 x 355 x 125 mm | 14.0 | 4.92 | 18.9 | 9.17 | 7.60 | 6.57 | 68.0 |
| | 0113665 ^{ab} | 14" x 14" x 6" — 355 x 355 x 160 mm | 14.0 | - | 18.9 | 10.2 | - | 6.30 | 68.1 |
| | 0113667 ^a | 14" x 14" x 8" — 355 x 355 x 200 mm | 14.0 | - | 18.9 | 10.5 | - | 7.87 | 69.8 |
| | 0113676 ^b | 16" x 16" x 4" — 400 x 400 x 125 mm | 15.8 | 4.92 | 19.7 | 10.0 | 8.46 | 6.57 | 93.0 |
| | 0113678 ^{ab} | 16" x 16" x 6" — 400 x 400 x 160 mm | 15.8 | - | 19.7 | 11.0 | - | 6.30 | 97.3 |
| | 0113680 ^{ab} | 16" x 16" x 8" — 400 x 400 x 200 mm | 15.8 | - | 19.7 | 11.0 | - | 7.87 | 97.3 |
| | 0113682 ^{ab} | 16" x 16" x 10" — 400 x 400 x 250 mm | 15.8 | - | 19.7 | 11.0 | - | 9.84 | 97.3 |
| | 0113690 | 18" x 18" x 4" — 450 x 450 x 125 mm | 17.7 | 4.92 | 20.7 | 11.0 | 9.45 | 6.57 | 123 |
| 0113692 ^{ab} | 18" x 18" x 6" — 450 x 450 x 160 mm | 17.7 | - | 20.7 | 12.0 | - | 6.30 | 128 | |
| 0113694 ^{ab} | 18" x 18" x 8" — 450 x 450 x 200 mm | 17.7 | - | 20.7 | 12.0 | - | 7.87 | 128 | |
| 0113696 ^{ab} | 18" x 18" x 10" — 450 x 450 x 250 mm | 17.7 | - | 20.7 | 12.0 | - | 9.84 | 128 | |
| 0113698 ^{ab} | 18" x 18" x 12" — 450 x 450 x 315 mm | 17.7 | - | 20.7 | 12.4 | - | 12.4 | 130 | |

^aBranch outlet has a butt-fusion connection.

^bMechanically stabilized with a faser-composite layer in the center of the pipe.

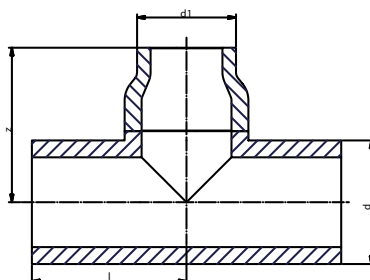
aquatherm green pipe® REDUCING TEE (REDUCER) (inlet, outlet, branch)



| SDR | Part no. | Dimension (ND — OD) | d | d1 | l | z | Weight [lb] |
|--------------|----------------------|-------------------------------------|------|------|------|------------------|----------------|
| | | | [in] | [in] | [in] | [in, +0.25/-0.0] | |
| 7.4 Faser | 0113604 ^a | 6" x 6" x 4" — 160 x 160 x 125 mm | 6.30 | 4.92 | 9.06 | 9.06 | 13.0 |
| | 0113618 | 8" x 8" x 6" — 200 x 200 x 160 mm | 7.87 | 6.30 | 11.8 | 11.8 | 25.5 |
| | 0113634 | 10" x 10" x 6" — 250 x 250 x 160 mm | 9.84 | 6.30 | 14.8 | 14.8 | 49.4 |
| | 0113640 | 10" x 10" x 8" — 250 x 250 x 200 mm | 9.84 | 7.87 | 14.8 | 14.8 | 50.4 |

^a 4" branch is socket fusion. If needed, branch can come with 1 ft extension to be used for butt-fusion.

aquatherm green pipe® REDUCING TEE (REDUCER) (inlet, outlet, branch)



| SDR | Part no. | Dimension (ND — OD) | d | d1 | l | z | Weight [lb] |
|---------------------|----------------------|--------------------------------------|------|------|------|------------------|----------------|
| | | | [in] | [in] | [in] | [in, +0.25/-0.0] | |
| 11 Non- Faser | 0113605 ^a | 6" x 6" x 4" — 160 x 160 x 125 mm | 6.30 | 4.92 | 9.06 | 9.06 | 8.76 |
| | 0113619 | 8" x 8" x 6" — 200 x 200 x 160 mm | 7.87 | 6.30 | 11.8 | 11.8 | 17.3 |
| | 0113635 | 10" x 10" x 6" — 250 x 250 x 160 mm | 9.84 | 6.30 | 14.8 | 14.8 | 33.4 |
| | 0113641 | 10" x 10" x 8" — 250 x 250 x 200 mm | 9.84 | 7.87 | 14.8 | 14.8 | 33.6 |
| | 0113655 | 12" x 12" x 8" — 315 x 315 x 200 mm | 12.4 | 7.87 | 18.1 | 18.1 | 66.3 |
| | 0113657 | 12" x 12" x 10" — 315 x 315 x 250 mm | 12.4 | 9.84 | 18.1 | 18.1 | 66.7 |
| | 0113669 | 14" x 14" x 10" — 355 x 355 x 250 mm | 14.0 | 9.84 | 18.9 | 18.9 | 79.9 |
| | 0113671 | 14" x 14" x 12" — 355 x 355 x 315 mm | 14.0 | 12.4 | 18.9 | 18.9 | 85.9 |
| | 0113684 ^b | 16" x 16" x 12" — 400 x 400 x 315 mm | 15.8 | 12.4 | 19.7 | 19.7 | 108 |
| | 0113685 ^b | 16" x 16" x 14" — 400 x 400 x 355 mm | 15.8 | 14.0 | 19.7 | 19.7 | 107 |
| | 0113699 ^b | 18" x 18" x 14" — 450 x 450 x 355 mm | 17.7 | 14.0 | 20.7 | 20.7 | 146 |
| | 0113700 ^b | 18" x 18" x 16" — 450 x 450 x 400 mm | 17.7 | 15.8 | 20.7 | 20.7 | 146 |

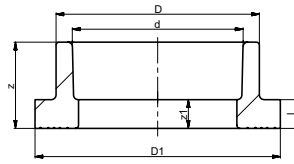
^a 4" branch is socket fusion. If needed, branch can come with 1 ft extension to be used for butt-fusion.

^b Mechanically stabilized with a faser-composite layer in the center of the pipe.

PRODUCT RANGE - FLANGES

aquatherm FLANGE ADAPTER (SOCKET)

Socket fused. Gasket not included. All sizes are compatible with butterfly valves. Minimum 1/8" thickness gasket recommended.

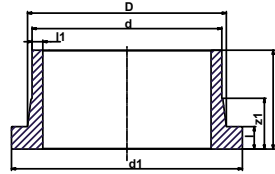


| Part no. | Dimension (ND — OD) | d | z | z1 | D | D1 | l | Weight |
|----------------------|------------------------|------|------|------|------|------|------|--------|
| | | [in] | [in] | [in] | [in] | [in] | [in] | [lb] |
| 0115512 | 1" — 32 mm | 1.26 | 1.34 | 0.63 | 1.61 | 2.68 | 0.39 | 0.12 |
| 0115514 | 1 ¼" — 40 mm | 1.57 | 1.40 | 0.59 | 1.97 | 3.07 | 0.43 | 0.16 |
| 0115516 | 1 ½" — 50 mm | 1.97 | 1.56 | 0.63 | 2.40 | 3.46 | 0.47 | 0.16 |
| 0115518 | 2" — 63 mm | 2.48 | 1.71 | 0.63 | 2.99 | 4.02 | 0.55 | 0.25 |
| 0115520 | 2 ½" — 75 mm | 2.95 | 1.81 | 0.63 | 3.54 | 4.80 | 0.63 | 0.37 |
| 0115522 | 3" — 90 mm | 3.54 | 1.97 | 0.67 | 4.25 | 5.43 | 0.67 | 0.58 |
| 0115524 | 3 ½" — 110 mm | 4.32 | 2.19 | 0.73 | 5.16 | 6.22 | 0.73 | 0.73 |
| 0115526 ^a | 4" — 125 mm | 3.54 | 7.95 | 0.73 | 5.16 | 6.22 | 0.53 | 2.78 |

^aPart no. 0115526 may be butt-fused or paired with a coupling (part no. 0111026, sold separately).

aquatherm FLANGE ADAPTER (BUTT-FUSION)

Butt fused. Gasket not included. Minimum 1/8" thickness gasket recommended. The length of some fittings may not accommodate all butt-fusion equipment. Verify the equipment to be used is compatible with the fittings when ordering.



| SDR | Part no. for butterfly valve | Dimension (ND — OD) | d | l | z | D | d1 | l1 | z1 | Weight |
|-----------|------------------------------|------------------------|------|------|------|------|------|------|------|--------|
| | | | [in] | [in] | [in] | [in] | [in] | [in] | [in] | [in] |
| 7.4 | 0115530BV | 6" — 160 mm | 6.30 | 1.00 | 3.63 | 6.89 | 8.38 | 0.86 | 2.09 | 2.56 |
| | 0115530LBV ^a | 6" — 160 mm | 6.30 | 1.00 | 15.6 | 6.89 | 8.38 | 0.86 | 2.09 | 9.11 |
| | 0115534BV | 8" — 200 mm | 7.87 | 1.26 | 5.12 | 9.13 | 10.6 | 1.08 | 2.83 | 5.05 |
| | 0115538BV | 10" — 250 mm | 9.84 | 1.38 | 5.12 | 11.2 | 12.6 | 1.35 | 2.95 | 7.27 |
| 9 | 0315530BV | 6" — 160 mm | 6.30 | 0.98 | 3.66 | 6.89 | 8.35 | 0.70 | 2.09 | 2.53 |
| | 0315534BV | 8" — 200 mm | 7.87 | 1.26 | 5.12 | 9.13 | 10.6 | 0.88 | 2.83 | 5.05 |
| | 0315538BV | 10" — 250 mm | 9.84 | 1.38 | 5.12 | 11.2 | 12.6 | 1.10 | 2.95 | 7.30 |
| | 0315542BV | 12" — 315 mm | 12.4 | 2.05 | 6.79 | 13.3 | 14.6 | 3.35 | 3.35 | 12.4 |
| | 0315544BV | 14" — 355 mm | 14.0 | 3.03 | 8.54 | 14.8 | 17.0 | 1.56 | 5.00 | 31.6 |
| 11 | 0115531BV | 6" — 160 mm | 6.30 | 0.98 | 3.66 | 6.89 | 8.35 | 0.57 | 2.09 | 2.10 |
| | 0115531LBBV ^b | 6" — 160 mm | 6.30 | 0.98 | 15.6 | 6.89 | 8.35 | 0.57 | 2.09 | 6.41 |
| | 0115531LGBV ^b | 6" — 160 mm | 6.30 | 0.98 | 15.6 | 6.89 | 8.35 | 0.57 | 2.09 | 6.62 |
| | 0115535BV | 8" — 200 mm | 7.87 | 1.26 | 5.12 | 9.13 | 10.6 | 0.72 | 2.83 | 4.31 |
| | 0115539BV | 10" — 250 mm | 9.84 | 1.38 | 5.12 | 11.2 | 12.6 | 0.89 | 2.83 | 5.99 |
| | 0115543BV | 12" — 315 mm | 12.4 | 1.38 | 6.61 | 13.3 | 14.6 | 1.13 | 3.46 | 12.5 |
| | 0115445BV | 14" — 355 mm | 14.0 | 1.65 | 7.09 | 14.6 | 17.0 | 1.27 | 3.94 | 19.8 |
| | 0115447BV | 16" — 400 mm | 15.8 | 1.97 | 7.68 | 16.7 | 19.1 | 1.43 | 3.86 | 26.5 |
| 0115549BV | 18" — 450 mm | 17.7 | 1.30 | 5.47 | 20.2 | 23.1 | 1.61 | 3.11 | 36.4 | |
| 17.6 | 2915530BV | 6" — 160 mm | 6.30 | 0.98 | 3.66 | 6.89 | 8.35 | 0.36 | 2.09 | 1.81 |
| | 2915534BV | 8" — 200 mm | 7.87 | 1.26 | 5.12 | 9.13 | 10.6 | 0.45 | 2.83 | 4.08 |
| | 2915538BV | 10" — 250 mm | 9.84 | 1.38 | 5.12 | 11.2 | 12.6 | 0.56 | 2.95 | 6.03 |
| | 2915542BV | 12" — 315 mm | 12.4 | 1.38 | 6.61 | 13.1 | 14.6 | 0.70 | 3.46 | 9.92 |
| | 2915544BV | 14" — 355 mm | 14.0 | 1.65 | 7.09 | 14.6 | 17.0 | 0.79 | 3.94 | 14.3 |
| | 2915546BV | 16" — 400 mm | 15.8 | 1.73 | 7.68 | 16.7 | 19.1 | 0.90 | 3.94 | 18.7 |
| | 2915548BV | 18" — 450 mm | 17.7 | 1.81 | 5.47 | 20.2 | 23.1 | 1.00 | 2.36 | 26.5 |
| | 2915550BV | 20" — 500 mm | 19.7 | 2.28 | 5.43 | 19.7 | 23.0 | 1.12 | - | 21.6 |
| | 2915552 ^c | 22" — 560 mm | 22.0 | 1.97 | 5.47 | 24.1 | 27.0 | 1.25 | 2.95 | 30.4 |
| | 2915554BV | 24" — 630 mm | 24.8 | 2.05 | 5.51 | 24.8 | 27.1 | 1.41 | - | 27.8 |

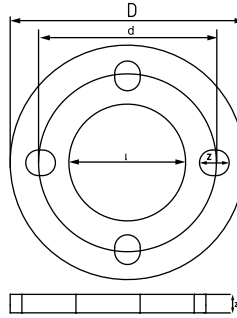
^a Includes 1-ft extension of **aquatherm green pipe**[®].

^c Not butterfly valve compatible.

^b Includes 1-ft extension of **aquatherm blue pipe**[®].

AQUATHERM FLANGE RING

Carbon steel with green epoxy powder coating, American bolt pattern. ASME B16.5, Class 150 bolt pattern. Class 300 rings available on special request. Made in China. If ordering for a U.S. government/military project, please contact your Regional Sales Manager.



| Part no. | Dimension (ND — OD) | No. of bolt holes | D | d | l | z | z1 | Weight |
|----------------------|------------------------|----------------------|------|------|------|------|------|--------|
| | | | [in] | [in] | [in] | [in] | [in] | [lb] |
| 3315712 | 1" — 32 mm | 4 | 4.63 | 3.50 | 1.63 | 0.63 | 0.63 | 2.38 |
| 3315714 | 1 ¼" — 40 mm | 4 | 4.63 | 3.50 | 2.00 | 0.63 | 0.63 | 2.20 |
| 3315716 | 1 ½" — 50 mm | 4 | 5.00 | 3.88 | 2.44 | 0.63 | 0.63 | 2.47 |
| 3315718 | 2" — 63 mm | 4 | 6.00 | 4.75 | 3.06 | 0.75 | 0.63 | 3.37 |
| 3315720 | 2 ½" — 75 mm | 4 | 7.00 | 5.50 | 3.63 | 0.75 | 0.63 | 4.96 |
| 3315722 ^a | 3" — 90 mm | 8 | 7.50 | 6.00 | 4.34 | 0.75 | 0.63 | 4.70 |
| 3315724 ^a | 3 ½" — 110 mm | 8 | 8.50 | 7.00 | 5.25 | 0.75 | 0.63 | 5.73 |
| 3315726 | 4" — 125 mm | 8 | 9.00 | 7.50 | 5.25 | 0.75 | 0.63 | 6.94 |
| 3315730 | 6" — 160 mm | 8 | 11.0 | 9.50 | 7.00 | 0.88 | 0.69 | 10.5 |
| 3315734 | 8" — 200 mm | 8 | 13.5 | 11.8 | 9.31 | 0.88 | 0.69 | 14.2 |
| 3315738 | 10" — 250 mm | 12 | 16.0 | 14.3 | 11.3 | 1.00 | 0.75 | 19.7 |
| 3315742 | 12" — 315 mm | 12 | 19.0 | 17.0 | 13.4 | 1.00 | 0.88 | 34.2 |
| 3315744 | 14" — 355 mm | 12 | 21.0 | 18.8 | 15.0 | 1.13 | 0.88 | 40.1 |
| 3315746 | 16" — 400 mm | 16 | 23.5 | 21.3 | 16.9 | 1.13 | 0.88 | 48.1 |
| 3315748 | 18" — 450 mm | 16 | 25.0 | 22.8 | 18.8 | 1.25 | 0.88 | 48.5 |
| 3315750 | 20" — 500 mm | 20 | 27.0 | 25.0 | 20.8 | 1.25 | 1.00 | 65.7 |
| 3315752 | 22" — 560 mm | 20 | 29.5 | 27.3 | 27.8 | 1.38 | 1.13 | - |
| 3315754 | 24" — 630 mm | 20 | 32.0 | 29.5 | 25.4 | 1.38 | 1.13 | 87.1 |

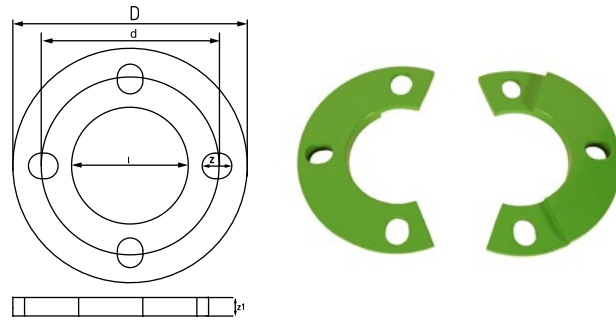
^a Flange ring will have 8 holes, but only 4 holes will be used when mating up to steel flanges in the same size.

Flange rings are supplied from China. If purchasing requirements mandate materials from a Designated Country per the Trade Agreements Act (FAR 52.225-5), please contact your Aquatherm Regional Sales Manager for pricing and availability.

PRODUCT RANGE - FLANGES

AQUATHERM SPLIT FLANGE RING

Carbon steel with green epoxy powder coating, American bolt pattern. ASME B16.5, Class 150 bolt pattern. Made in China. If ordering for a U.S. government/military project, please contact your Regional Sales Manager.



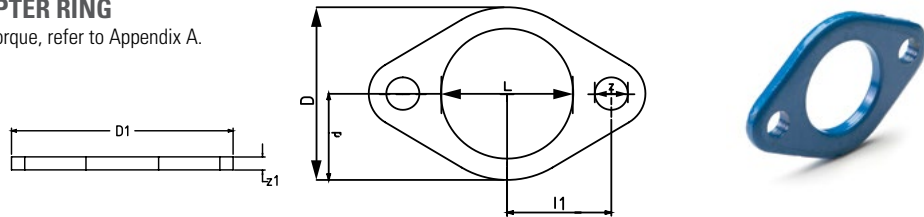
| Part no. | Dimension (ND — OD) | No. of bolt holes | D | d | l | z | z1 | Weight [lb] |
|----------------------|---------------------|-------------------|------|------|------|------|------|-------------|
| | | | [in] | [in] | [in] | [in] | [in] | |
| 0615712 | 1" — 32 mm | 4 | 4.25 | 3.12 | 1.63 | 0.62 | 0.63 | 2.38 |
| 0615714 | 1 ¼" — 40 mm | 4 | 4.62 | 3.50 | 2.00 | 0.62 | 0.63 | 2.20 |
| 0615716 | 1 ½" — 50 mm | 4 | 5.00 | 3.88 | 2.44 | 0.62 | 0.63 | 2.47 |
| 0615718 | 2" — 63 mm | 4 | 6.00 | 4.75 | 3.06 | 0.75 | 0.63 | 3.37 |
| 0615720 | 2 ½" — 75 mm | 4 | 7.00 | 5.50 | 3.63 | 0.75 | 0.63 | 4.96 |
| 0615722 ^a | 3" — 90 mm | 8 | 7.50 | 6.00 | 4.34 | 0.75 | 0.63 | 4.70 |
| 0615724 ^a | 3 ½" — 110 mm | 8 | 8.50 | 7.00 | 5.25 | 0.75 | 0.63 | 5.73 |
| 0615726 | 4" — 125 mm | 8 | 9.00 | 7.50 | 5.25 | 0.75 | 0.63 | 6.94 |
| 0615730 | 6" — 160 mm | 8 | 11.0 | 9.50 | 7.00 | 0.88 | 0.69 | 10.5 |
| 0615734 | 8" — 200 mm | 8 | 13.5 | 11.8 | 9.31 | 0.88 | 0.69 | 14.2 |
| 0615738 | 10" — 250 mm | 12 | 16.0 | 14.3 | 11.3 | 0.88 | 0.75 | 19.7 |
| 0615742 | 12" — 315 mm | 12 | 19.0 | 17.0 | 13.4 | 1.00 | 0.88 | 34.2 |
| 0615744 | 14" — 355 mm | 12 | 21.0 | 18.8 | 15.0 | 1.00 | 0.88 | 40.1 |
| 0615746 | 16" — 400 mm | 16 | 23.5 | 21.3 | 16.9 | 1.12 | 0.88 | 48.1 |
| 0615748 | 18" — 450 mm | 16 | 25.0 | 22.8 | 18.8 | 1.12 | 0.88 | 48.5 |
| 0615750 | 20" — 500 mm | 20 | 27.5 | 25.0 | 20.8 | 1.25 | 1.00 | 65.7 |
| 0615754 | 24" — 630 mm | 20 | 31.8 | 29.5 | 25.4 | 1.38 | 1.13 | 87.1 |

^a Flange ring will have 8 holes, but only 4 holes will be used when mating up to steel flanges in the same size.

Flange rings are supplied from China. If purchasing requirements mandate materials from a Designated Country per the Trade Agreements Act (FAR 52.225-5), please contact your Aquatherm Regional Sales Manager for pricing and availability.

AQUATHERM PUMP FLANGE ADAPTER RING

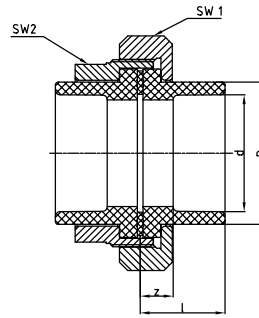
American bolt pattern. For flange bolt size and torque, refer to Appendix A.



| Part no. | Dimension (ND — OD) | d | L | z | D | l1 | D1 | z1 | Weight [lb] |
|----------|--|------|------|------|------|------|------|------|-------------|
| | | [in] | [in] | [in] | [in] | [in] | [in] | [in] | |
| 5515712 | 1" — 32 mm pump flange ring - blue (used with part no. 0115512) | 1.33 | 1.75 | 0.50 | 2.66 | 1.58 | 4.18 | 0.25 | 0.36 |
| 5515713 | 1 ¼" — 40 mm pump flange ring (used with part no. 0115514) | 1.33 | 2.00 | 0.50 | 2.66 | 1.58 | 4.18 | 0.25 | 0.30 |
| 5515714 | 1 ¼" — 40 mm pump flange ring (used with part no. 0115514, fitted Grundfos model UP4375) | 1.50 | 2.00 | 0.50 | 3.00 | 1.75 | 4.80 | 0.25 | 0.43 |

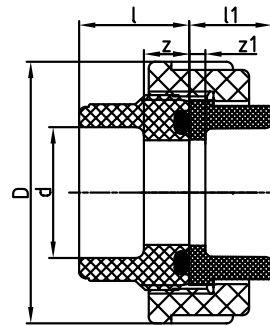
Flange rings are supplied from China. If purchasing requirements mandate materials from a Designated Country per the Trade Agreements Act (FAR 52.225-5), please contact your Aquatherm Regional Sales Manager for pricing and availability.

aquatherm UNION WITH BRASS NUT



| Part no. | Dimension (ND — OD) | d | l | z | D | SW1 | SW2 | Weight |
|----------|------------------------|------|------|------|------|------|------|--------|
| | | [in] | [in] | [in] | [in] | [in] | [in] | [lb] |
| 0115812 | 1" — 32 mm | 1.26 | 1.44 | 0.73 | 1.61 | 2.52 | 1.97 | 1.06 |
| 0115814 | 1 ¼" — 40 mm | 1.57 | 1.50 | 0.69 | 1.97 | 3.15 | 2.36 | 1.85 |
| 0115816 | 1 ½" — 50 mm | 1.97 | 1.61 | 0.69 | 2.40 | 3.39 | 2.76 | 1.81 |
| 0115818 | 2" — 63 mm | 2.48 | 1.77 | 0.69 | 2.99 | 4.25 | 3.54 | 3.30 |
| 0115820 | 2 ½" — 75 mm | 2.95 | 1.22 | 0.69 | 3.54 | 5.04 | 4.09 | 4.40 |

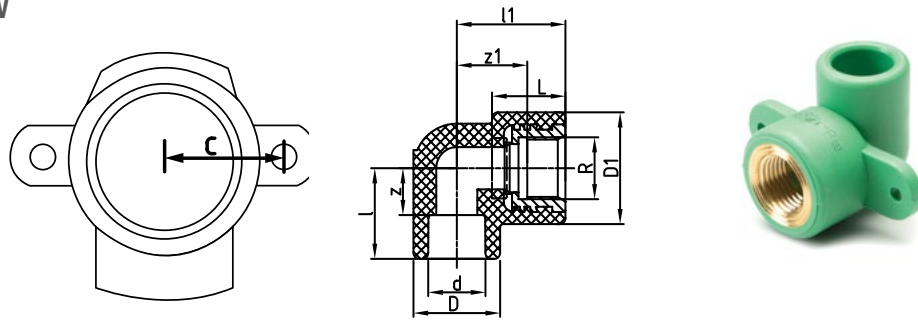
aquatherm UNION WITH PP-R NUT



| Part no. | Dimension (ND — OD) | d | l | z | l1 | z1 | D | Weight |
|----------|------------------------|------|------|------|------|------|------|--------|
| | | [in] | [in] | [in] | [in] | [in] | [in] | [lb] |
| 0115838 | ½" — 20 mm | 0.79 | 1.02 | 0.47 | 0.79 | 0.22 | 1.81 | 0.08 |
| 0115840 | ¾" — 25 mm | 0.98 | 1.10 | 0.47 | 0.83 | 0.20 | 2.20 | 0.13 |
| 0115842 | 1" — 32 mm | 1.26 | 1.26 | 0.47 | 0.91 | 0.20 | 2.60 | 0.20 |
| 0115844 | 1 ¼" — 40 mm | 1.57 | 1.50 | 0.55 | 1.00 | 0.20 | 3.11 | 0.30 |
| 0115846 | 1 ½" — 50 mm | 1.97 | 1.77 | 0.63 | 1.12 | 0.20 | 3.43 | 0.37 |
| 0115848 | 2" — 63 mm | 2.48 | 2.19 | 0.79 | 1.28 | 0.20 | 4.21 | 0.53 |
| 0115850 | 2 ½" — 75 mm | 2.95 | 1.97 | 0.79 | 1.42 | 0.24 | 5.04 | 1.20 |

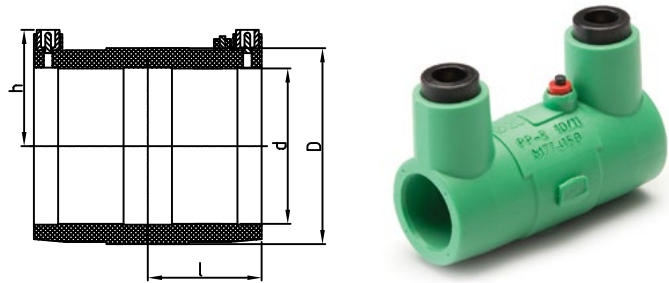
PRODUCT RANGE - COUPLINGS

aquatherm WING BACK 90° ELBOW



| Stainless steel part no. (ISO) | Lead-free (potable) brass part no. (NPT) | Dimension | d | R | l | z | D | l1 | z1 | D1 | L | c | Weight |
|--------------------------------|--|--------------|------|------|------|------|------|------|------|------|------|------|--------|
| | | | [in] | [in] | [in] | [in] | [in] | [in] | [in] | [in] | [in] | [in] | [in] |
| 0920158 | 0620158 | 20 mm x ½" F | 0.79 | 0.50 | 1.18 | 0.61 | 1.16 | 1.46 | 0.94 | 1.46 | 0.98 | 2.32 | 0.17 |

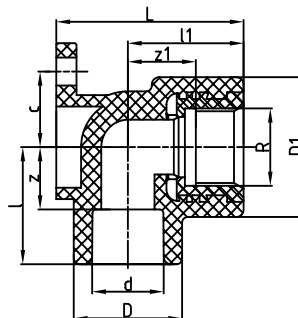
aquatherm ELECTROFUSION COUPLING



| Part no. | Dimension (ND — OD) | d | l | h | D | Weight |
|----------------------|---------------------|------|------|------|------|--------|
| | | [in] | [in] | [in] | [in] | [lb] |
| 0117208 | ½" — 20 mm | 0.79 | 1.38 | 1.42 | 1.24 | 0.11 |
| 0117210 | ¾" — 25 mm | 0.98 | 1.54 | 1.52 | 1.44 | 0.13 |
| 0117212 | 1" — 32 mm | 1.26 | 1.57 | 1.67 | 1.77 | 0.17 |
| 0117214 | 1 ¼" — 40 mm | 1.57 | 1.81 | 1.85 | 2.13 | 0.23 |
| 0117216 | 1 ½" — 50 mm | 1.97 | 2.03 | 2.05 | 2.56 | 0.31 |
| 0117218 | 2" — 63 mm | 2.48 | 2.32 | 2.28 | 3.21 | 0.53 |
| 0117220 | 2 ½" — 75 mm | 2.95 | 2.56 | 2.54 | 3.78 | 0.77 |
| 0117222 | 3" — 90 mm | 3.54 | 2.85 | 2.83 | 4.47 | 1.10 |
| 0117224 | 3 ½" — 110 mm | 4.33 | 3.15 | 3.25 | 5.47 | 1.81 |
| 0117226 | 4" — 125 mm | 4.92 | 3.39 | 3.54 | 6.14 | 2.42 |
| 0117230 ^a | 6" — 160 mm | 6.30 | 3.66 | 4.31 | 7.76 | 3.87 |
| 0117234 ^a | 8" — 200 mm | 7.87 | 4.13 | 5.28 | 9.57 | 7.99 |
| 0117238 ^a | 10" — 250 mm | 9.84 | 4.92 | 6.69 | 12.4 | 15.8 |

^a Cannot be used in conjunction with UV pipe.

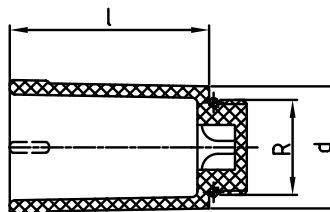
aquatherm BACK PLATE ELBOW threaded



| Stainless steel part no. (ISO) | Lead-free (potable) brass part no. (NPT) | Dimension PP-R (ND — OD) x thread | d | R | l | z | D | l1 | z1 | D1 | L | c | Weight |
|--------------------------------|--|-----------------------------------|------|------|------|------|------|------|------|------|------|------|--------|
| | | | [in] | [in] | [in] | [in] | [in] | [in] | [in] | [in] | [in] | [in] | [in] |
| 0920108 | 0620108 | (½" — 20 mm) x ½" F | 0.79 | 0.50 | 1.22 | 0.65 | 1.16 | 1.24 | 0.61 | 1.46 | 2.01 | 0.79 | 0.17 |
| 0920110 | 0620110 | (½" — 20 mm) x ¾" F | 0.79 | 0.75 | 1.46 | 0.89 | 1.34 | 1.46 | 0.94 | 1.73 | 2.13 | 0.98 | 0.23 |
| 0920112 | 0620112 | (¾" — 25 mm) x ¾" F | 0.98 | 0.75 | 1.46 | 0.83 | 1.34 | 1.46 | 0.94 | 1.73 | 2.13 | 0.98 | 0.23 |
| 0920113 | 0620113 | (¾" — 25 mm) x ½" F | 0.98 | 0.50 | 1.32 | 0.69 | 1.34 | 1.22 | 0.59 | 1.46 | 2.09 | 0.79 | 0.18 |

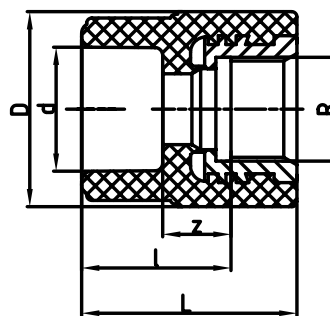
aquatherm ISO PLUG FOR PRESSURE TESTS

Includes gasket.



| Part no. | Dimension | d | R | l | Weight |
|----------|-----------|------|------|------|--------|
| | | [in] | [in] | [in] | [lb] |
| 0050708 | ½" M | 1.10 | 0.50 | 2.19 | 0.05 |
| 0050710 | ¾" M | 1.34 | 0.75 | 2.19 | 0.06 |

aquatherm TRANSITION PIECE round (female)

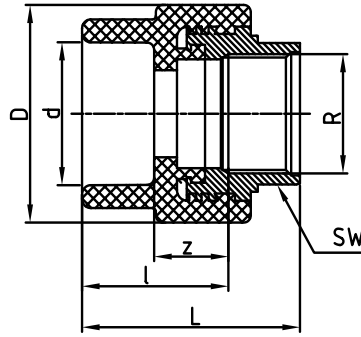


| Stainless steel part no. (ISO) | Lead-free (potable) brass part no. (NPT) | Dimension PP-R (ND — OD) x thread | d | R | l | z | D | L | Weight |
|--------------------------------|--|-----------------------------------|------|------|------|------|------|------|--------|
| | | | [in] | [in] | [in] | [in] | [in] | [in] | [lb] |
| 0921008 | 0621008 | (½" — 20 mm) x ½" F | 0.79 | 0.50 | 1.08 | 0.51 | 1.48 | 1.59 | 0.14 |
| 0921010 | 0621010 | (½" — 20 mm) x ¾" F | 0.79 | 0.75 | 1.08 | 0.51 | 1.71 | 1.59 | 0.20 |
| 0921011 | 0621011 | (¾" — 25 mm) x ½" F | 0.98 | 0.50 | 1.59 | 0.51 | 1.48 | 1.65 | 0.14 |
| 0921012 | 0621012 | (¾" — 25 mm) x ¾" F | 0.98 | 0.75 | 1.08 | 0.45 | 1.71 | 1.59 | 0.19 |
| 0921013 | 0621013 | (1" — 32 mm) x ¾" F | 1.26 | 0.75 | 1.20 | 0.49 | 1.71 | 1.71 | 0.20 |

PRODUCT RANGE - PP-R TO METAL

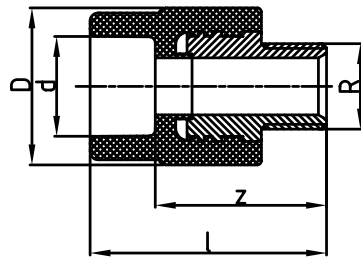
aquatherm NPT TRANSITION PIECE (female)

With hex-shaped threaded transition



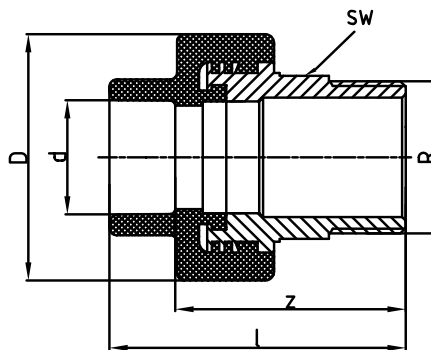
| Stainless steel part no. (ISO) | Lead-free (potable) brass part no. (NPT) | Dimension PP-R (ND — OD) x thread | d | R | l | z | D | L | SW | Weight |
|--------------------------------|--|-----------------------------------|------|------|------|------|------|------|------|--------|
| | | | [in] | [in] | [in] | [in] | [in] | [in] | [in] | [in] |
| - | 0621108 | (½" — 20 mm) x ½" F | 0.79 | 0.50 | 1.36 | 0.79 | 1.48 | 1.99 | 0.94 | 0.17 |
| - | 0621110 | (½" — 20 mm) x ¾" F | 0.79 | 0.75 | 1.14 | 0.57 | 1.71 | 1.97 | 1.22 | 0.25 |
| - | 0621111 | (¾" — 25 mm) x ½" F | 0.98 | 0.50 | 1.42 | 0.79 | 1.48 | 2.05 | 0.94 | 0.20 |
| - | 0621112 | (¾" — 25 mm) x ¾" F | 0.98 | 0.75 | 1.14 | 0.51 | 1.71 | 1.97 | 1.22 | 0.24 |
| - | 0621113 | (1" — 32 mm) x ¾" F | 1.26 | 0.75 | 1.26 | 0.55 | 1.71 | 2.09 | 1.22 | 0.25 |
| (NPT) | | | | | | | | | | |
| 1121114 | 0621114 | (1" — 32 mm) x 1" F | 1.26 | 1.00 | 1.48 | 0.77 | 2.36 | 2.34 | 1.54 | 0.53 |
| 1121115 | 0621115 | (1 ¼" — 40 mm) x 1" F | 1.57 | 1.00 | 1.57 | 0.77 | 2.36 | 2.44 | 1.54 | 0.50 |
| 1121116 | 0621116 | (1 ¼" — 40 mm) x 1 ¼" F | 1.57 | 1.25 | 1.57 | 0.77 | 2.91 | 2.48 | 1.97 | 0.85 |
| 1121117 | 0621117 | (1 ½" — 50 mm) x 1 ¼" F | 1.97 | 1.25 | 1.69 | 0.77 | 2.91 | 2.60 | 1.97 | 0.89 |
| 1121118 | 0621118 | (1 ½" — 50 mm) x 1 ½" F | 1.97 | 1.50 | 1.77 | 0.85 | 3.37 | 2.64 | 2.17 | 0.92 |
| 1121119 | 0621119 | (2" — 63 mm) x 1 ½" F | 2.48 | 1.50 | 2.03 | 0.94 | 3.31 | 2.89 | 2.17 | 0.97 |
| 1121120 | 0621120 | (2" — 63 mm) x 2" F | 2.48 | 2.00 | 2.01 | 0.93 | 3.98 | 3.03 | 2.64 | 1.32 |
| - | 0621122 | (2 ½" — 75 mm) x 2" F | 2.95 | 2.00 | 2.01 | 0.83 | 3.94 | 3.03 | 2.64 | 1.34 |

aquatherm TRANSITION PIECE round (male)



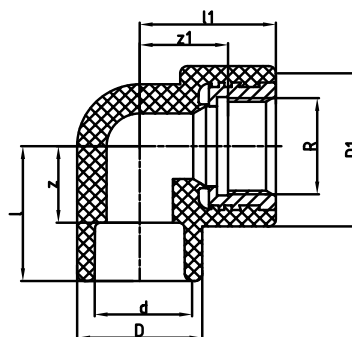
| Stainless steel part no. (ISO) | Lead-free (potable) brass part no. (NPT) | Dimension PP-R (ND — OD) x thread | d | R | l | z | D | Weight |
|--------------------------------|--|-----------------------------------|------|------|------|------|------|--------|
| | | | [in] | [in] | [in] | [in] | [in] | [lb] |
| 0921208 | 0621208 | (½" — 20 mm) x ½" M | 0.79 | 0.50 | 2.22 | 1.65 | 1.52 | 0.19 |
| 0921210 | 0621210 | (½" — 20 mm) x ¾" M | 0.79 | 0.75 | 2.26 | 1.69 | 1.52 | 0.24 |
| 0921211 | 0621211 | (¾" — 25 mm) x ½" M | 0.98 | 0.50 | 2.28 | 1.65 | 1.52 | 0.22 |
| 0921212 | 0621212 | (¾" — 25 mm) x ¾" M | 0.98 | 0.75 | 2.26 | 1.63 | 1.52 | 0.20 |
| 0921213 | 0621213 | (1" — 32 mm) x ¾" M | 1.26 | 0.75 | 2.34 | 1.63 | 1.69 | 0.25 |

aquatherm NPT TRANSITION PIECE (male)
With hex-shaped threaded transition



| Lead-free (potable) brass part no. (NPT) | Dimension PP-R (ND — OD) x thread | d | R | l | z | D | SW | Weight |
|--|-----------------------------------|------|------|------|------|------|------|--------|
| | | [in] | [in] | [in] | [in] | [in] | [in] | [lb] |
| 0621308 | (½" — 20 mm) x ½" M | 0.79 | 0.50 | 2.62 | 2.05 | 1.52 | 0.87 | 0.23 |
| 0621310 | (½" — 20 mm) x ¾" M | 0.79 | 0.75 | 2.66 | 2.09 | 1.52 | 0.94 | 0.28 |
| 0621312 | (¾" — 25 mm) x ¾" M | 0.98 | 0.75 | 2.66 | 2.03 | 1.52 | 0.94 | 0.23 |
| 0621314 | (1" — 32 mm) x 1" M | 1.26 | 1.00 | 3.09 | 2.38 | 2.09 | 1.18 | 0.48 |
| 0621316 | (1" — 32 mm) x 1 ¼" M | 1.26 | 1.25 | 3.19 | 2.48 | 2.68 | 1.61 | 0.70 |
| 0621317 | (1 ¼" — 40 mm) x 1" M | 1.57 | 1.00 | 3.19 | 2.38 | 2.05 | 1.18 | 0.49 |
| 0621318 | (1 ¼" — 40 mm) x 1 ¼" M | 1.57 | 1.25 | 3.33 | 2.52 | 2.68 | 1.61 | 0.71 |
| 0621319 | (1 ½" — 50 mm) x 1 ¼" M | 1.97 | 1.25 | 3.37 | 2.44 | 2.68 | 1.61 | 0.77 |
| 0621320 | (1 ½" — 50 mm) x 1 ½" M | 1.97 | 1.50 | 3.48 | 2.56 | 2.91 | 1.81 | 0.94 |
| 0621321 | (2" — 63 mm) x 1 ½" M | 2.48 | 1.50 | 3.72 | 2.64 | 2.85 | 1.81 | 1.03 |
| 0621322 | (2" — 63 mm) x 2" M | 2.48 | 2.00 | 4.04 | 2.95 | 3.31 | 1.97 | 1.51 |
| 0621323 | (2 ½" — 75 mm) x 2" M | 2.95 | 2.00 | 4.02 | 2.83 | 3.31 | 1.97 | 1.61 |
| 0621324 | (2 ½" — 75 mm) x 2 ½" M | 2.95 | 2.50 | 4.13 | 2.95 | 3.94 | 2.56 | 2.14 |
| 0621325 | (3" — 90 mm) x 3" M | 3.54 | 3.00 | 4.76 | 3.46 | 4.72 | 3.35 | 2.92 |
| 0621327 | (3 ½" — 110 mm) x 4" M | 4.33 | 4.00 | 5.83 | 4.37 | 5.79 | 4.13 | 6.02 |

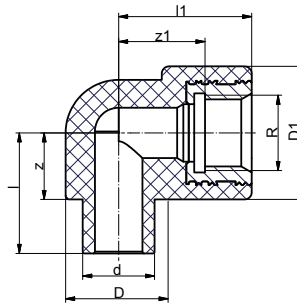
aquatherm TRANSITION ELBOW (female)



| Stainless steel part no. (ISO) | Lead-free (potable) brass part no. (NPT) | Dimension PP-R (ND — OD) x thread | d | R | l | z | D | l1 | z1 | D1 | Weight |
|--------------------------------|--|-----------------------------------|------|------|------|------|------|------|------|------|--------|
| | | | [in] | [in] | [in] | [in] | [in] | [in] | [in] | [in] | [in] |
| 0923008 | 0623008 | (½" — 20 mm) x ¾" F | 0.79 | 0.75 | 1.46 | 0.89 | 1.34 | 1.46 | 0.94 | 1.73 | 0.22 |
| 0923010 | 0623010 | (½" — 20 mm) x ½" F | 0.79 | 0.50 | 1.24 | 0.67 | 1.16 | 1.24 | 0.73 | 1.46 | 0.17 |
| 0923012 | 0623012 | (¾" — 25 mm) x ¾" F | 0.98 | 0.75 | 1.46 | 0.83 | 1.34 | 1.46 | 0.94 | 1.73 | 0.22 |
| 0923014 | 0623014 | (¾" — 25 mm) x ½" F | 0.98 | 0.50 | 1.34 | 0.71 | 1.34 | 1.46 | 0.94 | 1.46 | 0.17 |
| 0923016 | 0623016 | (1" — 32 mm) x ¾" F | 1.26 | 0.75 | 1.08 | 0.37 | 1.69 | 2.01 | 1.50 | 1.73 | 0.23 |
| (NPT) | | | | | | | | | | | |
| 1123018 | 0623018 | (1" — 32 mm) x 1" F | 1.26 | 1.00 | 1.34 | 0.63 | 1.69 | 2.62 | 1.75 | 2.37 | 0.55 |

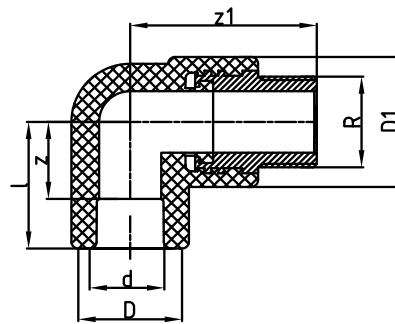
PRODUCT RANGE - PP-R TO METAL

aquatherm NPT TRANSITION STREET ELBOW (male/female)



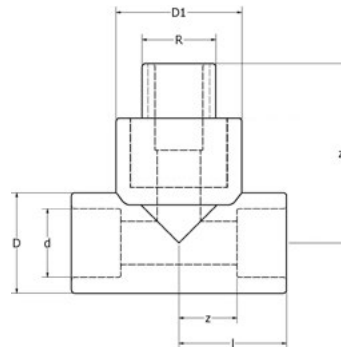
| Lead-free (potable) brass part no. (NPT) | Dimension PP-R (ND — OD) x thread | d | R | l | z | D | l1 | z1 | D1 | Weight | Price |
|--|-----------------------------------|------|------|------|------|------|------|------|------|--------|-------|
| | | [in] | [in] | [in] | [in] | [in] | [in] | [in] | [in] | [in] | [lb] |
| 0623208 | (½" — 20 mm) x ½" F | 0.79 | 0.50 | 1.32 | 0.73 | 1.16 | 1.46 | 0.94 | 1.46 | 0.17 | 7.03 |

aquatherm TRANSITION ELBOW (male)



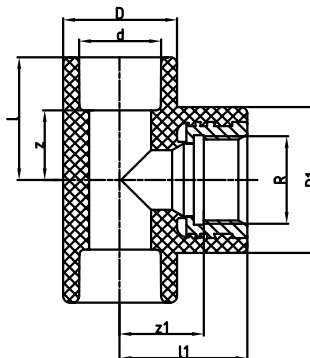
| Stainless steel part no. (ISO) | Lead-free (potable) brass part no. (NPT) | Dimension PP-R (ND — OD) x thread | d | R | l | z | D | z1 | D1 | Weight |
|--------------------------------|--|-----------------------------------|------|------|------|------|------|------|------|--------|
| | | | [in] | [in] | [in] | [in] | [in] | [in] | [in] | [in] |
| 0923506 | 0623506 | (½" — 20 mm) x ½" M | 0.79 | 0.50 | 1.24 | 0.67 | 1.16 | 2.09 | 1.46 | 0.24 |
| 0923508 | 0623508 | (½" — 20 mm) x ¾" M | 0.79 | 0.75 | 1.46 | 0.89 | 1.34 | 2.13 | 1.50 | 0.28 |
| 0923510 | 0623510 | (¾" — 25 mm) x ¾" M | 0.98 | 0.75 | 1.46 | 0.83 | 1.34 | 2.13 | 1.50 | 0.23 |
| 0923512 | 0623512 | (1" — 32 mm) x ¾" M | 1.26 | 0.75 | 1.08 | 0.37 | 1.69 | 2.68 | 1.50 | 0.25 |
| - | 0623514 | (1" — 32 mm) x 1" M | 1.26 | 1.00 | 1.22 | 0.51 | 1.69 | 3.37 | 2.05 | 0.51 |

aquatherm NPT TRANSITION TEE (male)



| Lead-free (potable) brass part no. (NPT) | Dimension (ND — OD) | d | R | l | z | D | z1 | D1 | Weight |
|--|------------------------------------|------|------|------|------|------|------|------|--------|
| | | [in] | [in] | [in] | [in] | [in] | [in] | [in] | [in] |
| 0625506 | (½" — 20 mm) x ½" M x (½" — 20 mm) | 0.79 | 0.50 | 1.24 | 0.67 | 1.16 | 2.09 | 1.46 | 0.23 |

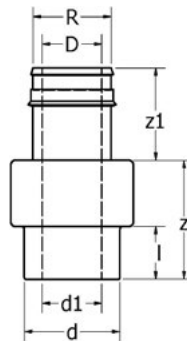
aquatherm TRANSITION TEE (female)



| Stainless steel part no. (ISO) | Lead-free (potable) brass part no. (NPT) | Dimension PP-R (ND — OD) x thread | d | R | l | z | D | l1 | z1 | D1 | Weight |
|--------------------------------|--|--|------|------|------|------|------|------|------|------|--------|
| | | | [in] | [in] | [in] | [in] | [in] | [in] | [in] | [in] | [in] |
| 0925006 | 0625006 | (½" — 20 mm) x (½" — 20 mm) x ½" F | 0.79 | 0.50 | 1.24 | 0.67 | 1.16 | 1.46 | 0.94 | 1.46 | 0.19 |
| 0925008 | 0625008 | (½" — 20 mm) x (½" — 20 mm) x ¾" F | 0.79 | 0.75 | 1.46 | 0.89 | 1.34 | 1.50 | 0.98 | 1.73 | 0.27 |
| 0925010 | 0625010 | (¾" — 25 mm) x (¾" — 25 mm) x ½" F | 0.98 | 0.50 | 1.34 | 0.71 | 1.34 | 1.50 | 0.98 | 1.46 | 0.20 |
| 0925012 | 0625012 | (¾" — 25 mm) x (¾" — 25 mm) x ¾" F | 0.98 | 0.75 | 1.46 | 0.83 | 1.34 | 1.50 | 0.98 | 1.73 | 0.24 |
| 0925014 | 0625014 | (1" — 32 mm) x (1" — 32 mm) x ¾" F | 1.26 | 0.75 | 1.08 | 0.37 | 1.69 | 2.01 | 1.50 | 1.73 | 0.24 |
| (NPT) | | | | | | | | | | | |
| 1125016 | 0625016 | (1" — 32 mm) x (1" — 32 mm) x 1" F | 1.26 | 1.00 | 1.22 | 0.53 | 1.69 | 2.64 | 1.93 | 2.36 | 0.56 |
| - | 0625022 | (1 ½" — 50 mm) x (1 ½" — 50 mm) x 1" F | 1.97 | 1.00 | 1.95 | 1.02 | 2.68 | 2.50 | 1.71 | 2.68 | 0.85 |

aquatherm PEX ADAPTER (EXPANSION)

Built to ASTM F1960 standard with PP-R street connection. The brass in this fitting meets the lead-free (<0.25%) potable water requirement.

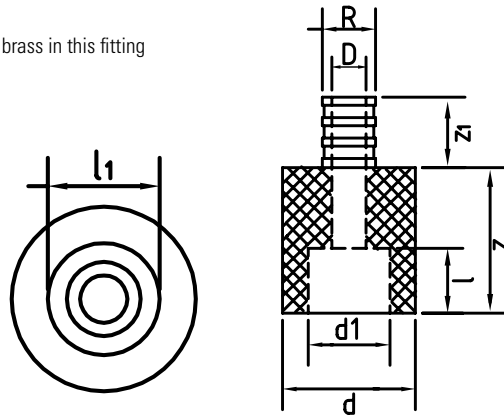


| Lead-free (potable) brass part no. (NPT) | Dimension (ND — OD) | d | R | l | z | D | z1 | d1 | Weight |
|--|---------------------------|------|------|------|------|------|------|------|--------|
| | | [in] | [in] | [in] | [in] | [in] | [in] | [in] | [lb] |
| 0098840 | ½" (20 mm) PP-R to ½" PEX | 0.79 | 0.61 | 0.42 | 1.15 | 0.38 | 0.73 | 0.52 | 0.09 |
| 0098841 | ¾" (25 mm) PP-R to ¾" PEX | 0.98 | 0.87 | 0.49 | 1.20 | 0.60 | 0.96 | 0.65 | 0.13 |
| 0098842 | 1" (32 mm) PP-R to 1" PEX | 1.26 | 1.00 | 0.69 | 1.56 | 0.80 | 1.20 | 0.83 | 0.21 |

PRODUCT RANGE - PP-R TO METAL

aquatherm PEX ADAPTER (CRIMP)

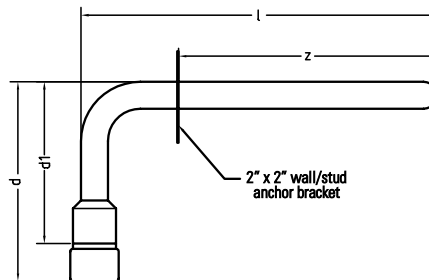
Built to ASTM F1807 standard with PP-R socket connection. The brass in this fitting meets the lead-free (<0.25%) potable water requirement.



| Lead-free (potable) brass part no. (NPT) | Dimension (ND — OD) | d | R | l | z | D | l1 | z1 | d1 | Weight |
|--|---------------------------|------|------|------|------|------|------|------|------|--------|
| | | [in] | [in] | [in] | [in] | [in] | [in] | [in] | [in] | [lb] |
| 0099840 | ½" (20 mm) PP-R to ½" PEX | 1.13 | 0.47 | 0.63 | 1.25 | 0.35 | 0.75 | 0.63 | 0.75 | 0.09 |
| 0099841 | ¾" (25 mm) PP-R to ¾" PEX | 1.38 | 0.67 | 0.63 | 1.38 | 0.53 | 1.00 | 0.63 | 0.88 | 0.13 |
| 0099842 | 1" (32 mm) PP-R to 1" PEX | 1.75 | 0.86 | 0.88 | 1.63 | 0.71 | 1.25 | 0.80 | 1.25 | 0.21 |

aquatherm STUB OUT (PP-R TO COPPER)

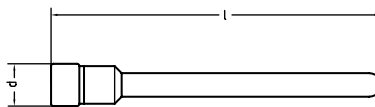
These fittings are combination of a custom Aquatherm PP-R socket with a gasket and copper stub added by Sioux Chief Manufacturing. The fused PP-R portion is covered under Aquatherm's warranty. The copper portion and gasket are covered under a warranty from Sioux Chief.



| Part no. | Dimension (ND — OD) | d | d1 | l | z | Weight |
|-------------|---------------------|------|------|------|------|--------|
| | | [in] | [in] | [in] | [in] | [lb] |
| AQ630P248E | ½" — 20 mm | 4.63 | 3.75 | 8.25 | 6.00 | 0.30 |
| AQ630P368E | ¾" — 25 mm | 7.50 | 6.63 | 8.50 | 6.00 | 0.55 |
| AQ630P41110 | 1" — 32 mm | 12.3 | 11.3 | 10.5 | 7.50 | 1.10 |

aquatherm STRAIGHT STUB OUT (PP-R TO COPPER)

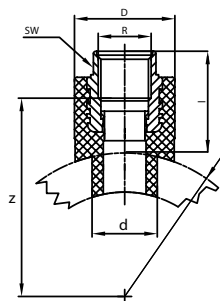
These fittings are a combination of a custom Aquatherm PP-R socket with a gasket and copper stub added by Sioux Chief Manufacturing. The fused PP-R portion is covered under Aquatherm's warranty. The copper portion and gasket are covered under a warranty from Sioux Chief.



| Part no. | Dimension (ND — OD) | d | | l | | Weight | |
|-----------|---------------------|------|------|------|------|--------|------|
| | | [in] | [mm] | [in] | [mm] | [lb] | [kg] |
| AQ638P211 | ½" — 20 mm | 0.79 | 20 | 11.0 | 280 | 0.41 | 0.18 |
| AQ638P311 | ¾" — 25 mm | 0.98 | 25 | 11.0 | 280 | 0.68 | 0.31 |
| AQ638P418 | 1" — 32 mm | 1.26 | 32 | 18.0 | 457 | 0.94 | 0.43 |

aquatherm NPT FUSION OUTLET (female)

Includes hex-shaped female thread, weld-in surface and weld-in socket for fusion with the inner wall of the pipe. The necessary welding heads are listed on page 5.57 (part no. 0050614 - 0050640).

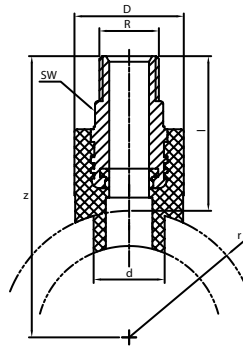


| Stainless steel part no. (ISO) | Lead-free (potable) brass part no. (NPT) | Dimension pipe x outlet (ND — OD) x thread | r | d | R | l | z | D | SW | Weight |
|--------------------------------|--|--|------|------|------|------|------|------|------|--------|
| | | | [in] | [in] | [in] | [in] | [in] | [in] | [in] | [in] |
| 0928214 | 0628214 | 1 ¼" x ½" — 40 x 25 mm x ½" F | 0.79 | 0.98 | 0.50 | 1.54 | 1.69 | 1.52 | 0.94 | 0.19 |
| 0928216 | 0628216 | 1 ½" x ½" — 50 x 25 mm x ½" F | 0.99 | 0.98 | 0.50 | 1.54 | 1.89 | 1.52 | 0.94 | 0.20 |
| 0928218 | 0628218 | 2" x ½" — 63 x 25 mm x ½" F | 1.24 | 0.98 | 0.50 | 1.54 | 2.15 | 1.52 | 0.94 | 0.20 |
| 0928220 | 0628220 | 2 ½" x ½" — 75 x 25 mm x ½" F | 1.48 | 0.98 | 0.50 | 1.54 | 2.11 | 1.52 | 0.94 | 0.18 |
| 0928222 | 0628222 | 3" x ½" — 90 x 25 mm x ½" F | 1.77 | 0.98 | 0.50 | 1.54 | 2.17 | 1.52 | 0.94 | 0.20 |
| 0928224 | 0628224 | 3 ½" x ½" — 110 x 25 mm x ½" F | 2.17 | 0.98 | 0.50 | 1.54 | 3.07 | 1.52 | 0.94 | 0.20 |
| 0928226 | 0628226 | 4" x ½" — 125 x 25 mm x ½" F | 2.46 | 0.98 | 0.50 | 1.54 | 3.37 | 1.52 | 0.94 | 0.20 |
| 0928230 | 0628230 | 6" x ½" — 160 x 25 mm x ½" F | 3.15 | 0.98 | 0.50 | 1.54 | 4.06 | 1.52 | 0.94 | 0.20 |
| 0928232 | 0628232 | 8 to 10" x ½" — 200 to 250 x 25 mm x ½" F | 3.94 | 0.98 | 0.50 | 1.54 | 1.50 | 1.52 | 0.94 | 0.20 |
| 0928234 | 0628234 | 1 ¼" x ¾" — 40 x 25 mm x ¾" F | 0.79 | 0.98 | 0.75 | 1.54 | 1.69 | 1.71 | 1.22 | 0.24 |
| 0928236 | 0628236 | 1 ½" x ¾" — 50 x 25 mm x ¾" F | 0.99 | 0.98 | 0.75 | 1.54 | 1.95 | 1.71 | 1.22 | 0.24 |
| 0928238 | 0628238 | 2" x ¾" — 63 x 25 mm x ¾" F | 1.24 | 0.98 | 0.75 | 1.54 | 2.19 | 1.71 | 1.22 | 0.24 |
| 0928240 | 0628240 | 2 ½" x ¾" — 75 x 25 mm x ¾" F | 1.48 | 0.98 | 0.75 | 1.54 | 2.48 | 1.71 | 1.22 | 0.24 |
| 0928242 | 0628242 | 3" x ¾" — 90 x 25 mm x ¾" F | 1.77 | 0.98 | 0.75 | 1.54 | 2.87 | 1.71 | 1.22 | 0.24 |
| 0928244 | 0628244 | 3 ½" x ¾" — 110 x 25 mm x ¾" F | 2.17 | 0.98 | 0.75 | 1.54 | 3.17 | 1.71 | 1.22 | 0.24 |
| 0928246 | 0628246 | 4" x ¾" — 125 x 25 mm x ¾" F | 2.46 | 0.98 | 0.75 | 1.54 | 3.78 | 1.71 | 1.22 | 0.25 |
| 0928250 | 0628250 | 6" x ¾" — 160 x 25 mm x ¾" F | 3.15 | 0.98 | 0.75 | 1.54 | 2.30 | 1.71 | 1.22 | 0.25 |
| 0928254 | 0628254 | 8 to 10" x ¾" — 200 to 250 x 25 mm x ¾" F | 3.94 | 0.98 | 0.75 | 1.54 | 2.60 | 1.71 | 1.22 | 0.25 |
| (NPT) | | | | | | | | | | |
| 1128260 | 0628260 | 2 ½" x 1" — 75 x 32 mm x 1" F | 1.48 | 1.26 | 1.00 | 1.69 | 2.99 | 2.36 | 1.54 | 0.49 |
| 1128262 | 0628262 | 3" x 1" — 90 x 32 mm x 1" F | 1.77 | 1.26 | 1.00 | 1.69 | 3.29 | 2.36 | 1.54 | 0.49 |
| 1128264 | 0628264 | 3 ½" x 1" — 110 x 32 mm x 1" F | 2.17 | 1.26 | 1.00 | 1.69 | 3.98 | 2.36 | 1.54 | 0.49 |
| 1128266 | 0628266 | 4" x 1" — 125 x 32 mm x 1" F | 2.46 | 1.26 | 1.00 | 1.69 | 4.84 | 2.36 | 1.54 | 0.49 |
| 1128270 | 0628270 | 6" x 1" — 160 x 32 mm x 1" F | 3.15 | 1.26 | 1.00 | 1.69 | 4.65 | 2.36 | 1.54 | 0.50 |
| 1128274 | 0628274 | 8 to 10" x 1" — 200 to 250 x 32 mm x 1" F | 3.94 | 1.26 | 1.00 | 1.69 | 4.76 | 2.36 | 1.54 | 0.54 |

PRODUCT RANGE - PP-R TO METAL

aquatherm NPT FUSION OUTLET (male)

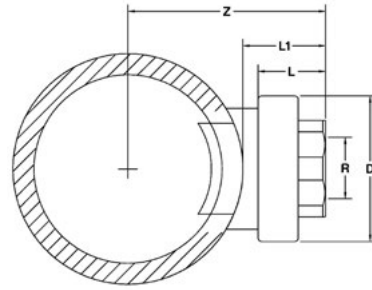
Includes hex-shaped male thread, weld-in surface and weld-in socket for fusion with the inner wall of the pipe. The necessary welding heads are listed on page 5.57 (part no. 0050614 - 0050640).



| Lead-free (potable) brass part no. (NPT) | Dimension pipe x outlet (ND — OD) x thread | r | d | l | z | D | R | SW | Weight |
|---|---|------|------|------|------|------|------|------|--------|
| | | [in] | [in] | [in] | [in] | [in] | [in] | [in] | [lb] |
| 0628314 | 1 ¼" x ¾" — 40 x 25 mm x ½" M | 0.79 | 0.98 | 2.17 | 2.95 | 1.52 | 0.50 | 0.83 | 0.19 |
| 0628316 | 1 ½" x ¾" — 50 x 25 mm x ½" M | 0.99 | 0.98 | 2.17 | 3.15 | 1.52 | 0.50 | 0.83 | 0.20 |
| 0628318 | 2" x ¾" — 63 x 25 mm x ½" M | 1.24 | 0.98 | 2.17 | 3.41 | 1.52 | 0.50 | 0.83 | 0.20 |
| 0628320 | 2 ½" x ¾" — 75 x 25 mm x ½" M | 1.48 | 0.98 | 2.17 | 3.64 | 1.52 | 0.50 | 0.83 | 0.21 |
| 0628322 | 3" x ¾" — 90 x 25 mm x ½" M | 1.77 | 0.98 | 2.17 | 3.94 | 1.52 | 0.50 | 0.83 | 0.20 |
| 0628324 | 3 ½" x ¾" — 110 x 25 mm x ½" M | 2.17 | 0.98 | 2.17 | 4.33 | 1.52 | 0.50 | 0.83 | 0.20 |
| 0628326 | 4" x ¾" — 125 x 25 mm x ½" M | 2.46 | 0.98 | 2.17 | 4.63 | 1.52 | 0.50 | 0.83 | 0.20 |
| 0628330 | 6" x ¾" — 160 x 25 mm x ½" M | 3.15 | 0.98 | 2.17 | 5.31 | 1.52 | 0.50 | 0.83 | 0.20 |
| 0628334 | 1 ¼" x ¾" — 40 x 25 mm x ¾" M | 0.79 | 0.98 | 2.20 | 2.99 | 1.71 | 0.75 | 0.94 | 0.24 |
| 0628336 | 1 ½" x ¾" — 50 x 25 mm x ¾" M | 0.99 | 0.98 | 2.20 | 3.19 | 1.71 | 0.75 | 0.94 | 0.24 |
| 0628338 | 2" x ¾" — 63 x 25 mm x ¾" M | 1.24 | 0.98 | 2.20 | 3.44 | 1.71 | 0.75 | 0.94 | 0.24 |
| 0628340 | 2 ½" x ¾" — 75 x 25 mm x ¾" M | 1.48 | 0.98 | 2.20 | 3.68 | 1.71 | 0.75 | 0.94 | 0.24 |
| 0628342 | 3" x ¾" — 90 x 25 mm x ¾" M | 1.77 | 0.98 | 2.20 | 3.98 | 1.71 | 0.75 | 0.94 | 0.24 |
| 0628344 | 3 ½" x ¾" — 110 x 25 mm x ¾" M | 2.17 | 0.98 | 2.20 | 4.37 | 1.71 | 0.75 | 0.94 | 0.24 |
| 0628346 | 4" x ¾" — 125 x 25 mm x ¾" M | 2.46 | 0.98 | 2.20 | 4.67 | 1.71 | 0.75 | 0.94 | 0.25 |
| 0628350 | 6" x ¾" — 160 x 25 mm x ¾" M | 3.15 | 0.98 | 2.20 | 5.35 | 1.71 | 0.75 | 0.94 | 0.25 |

aquatherm FLOW METER WELL

May also be used for thermometer well. Other sizes are readily available upon request. The brass in this fitting may or may not meet potable water standards depending on the brass fitting chosen to make up the fitting. Additional sizes and combinations are available. Contact Aquatherm for availability and cost.

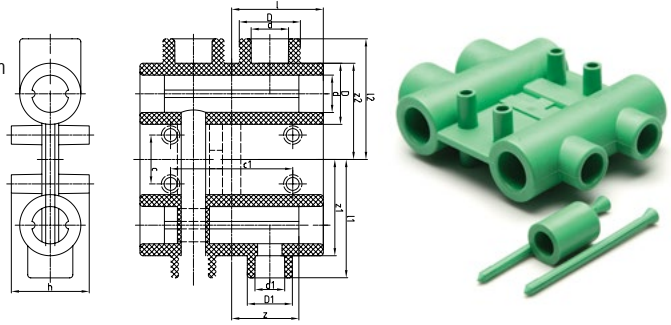


| Part no. | Dimension pipe x outlet x thread x ID | L | L1 | R | D | Z | Weight |
|----------|--|------|------|------|------|------|--------|
| | | [in] | [in] | [in] | [in] | [in] | [lb] |
| 0628480 | 2" x 1 1/4" x 1 1/4" F x 1" | 1.68 | 2.21 | 1.25 | 2.91 | 3.69 | 0.81 |
| 0628481 | 2 1/2" x 1 1/4" x 1 1/4" F x 1" | 1.68 | 2.21 | 1.25 | 2.91 | 3.69 | - |
| 0628482 | 3" x 1 1/4" x 1 1/4" F x 1" | 1.68 | 2.21 | 1.25 | 2.91 | 3.98 | - |
| 0628483 | 3 1/2" x 1 1/4" x 1 1/4" F x 1" | 1.68 | 2.21 | 1.25 | 2.91 | 4.38 | - |
| 0628484 | 4" x 1 1/4" x 1 1/4" F x 1" | 1.68 | 2.21 | 1.25 | 2.91 | 4.67 | - |
| 0628485 | 6" x 1 1/4" x 1 1/4" F x 1" | 1.68 | 2.21 | 1.25 | 2.91 | 5.36 | - |
| 0628486 | 8" x 1 1/4" x 1 1/4" F x 1" | 1.68 | 2.21 | 1.25 | 2.91 | 6.15 | - |
| 0628487 | 10" x 1 1/4" x 1 1/4" F x 1" | 1.68 | 2.21 | 1.25 | 2.91 | 7.13 | - |
| 0628500 | 4" x 1 1/2" x 1 1/2" F x 1 1/4" | 1.72 | 2.13 | 1.50 | 3.38 | 4.59 | 0.89 |
| 0628501 | 6" x 1 1/2" x 1 1/2" F x 1 1/4" | 1.72 | 2.13 | 1.50 | 3.38 | 5.28 | - |
| 0628502 | 8" x 1 1/2" x 1 1/2" F x 1 1/4" | 1.72 | 2.13 | 1.50 | 3.38 | 6.07 | - |
| 0628503 | 10" x 1 1/2" x 1 1/2" F x 1 1/4" | 1.72 | 2.13 | 1.50 | 3.38 | 7.05 | - |
| 0628520 | 4" x 2" x 2" F x 1 5/8" | 1.88 | 2.36 | 2.00 | 3.88 | 4.82 | 1.21 |
| 0628521 | 6" x 2" x 2" F x 1 5/8" | 1.88 | 2.36 | 2.00 | 3.88 | 5.51 | - |
| 0628522 | 8" x 2" x 2" F x 1 5/8" | 1.88 | 2.34 | 2.00 | 3.88 | 6.28 | - |
| 0628523 | 10" x 2" x 2" F x 1 5/8" | 1.88 | 2.34 | 2.00 | 3.88 | 7.26 | - |
| 0628524 | 12" to 14" x 2" x 2" F x 1 5/8" | 1.88 | 2.34 | 2.00 | 3.88 | 8.54 | - |
| 0628525 | 16" to 24" x 2" x 2" F x 1 5/8" | 1.88 | 4.24 | 2.00 | 3.88 | 12.2 | - |

PRODUCT RANGE - DISTRIBUTORS

aquatherm DISTRIBUTION BLOCK PLUMBING

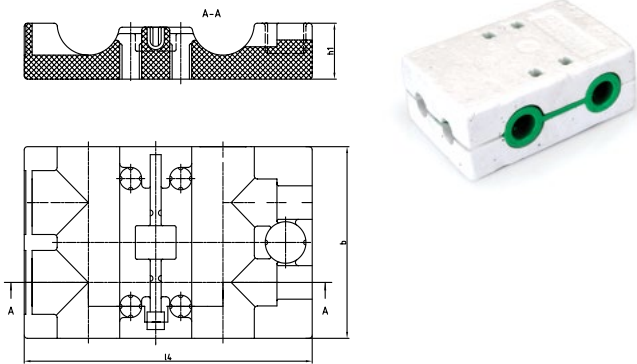
Made from **fusiole®** PP-R. Passages are 25 mm socket connections with two 20 mm socket branches. Includes 1 plug and 2 fasteners.



| Part no. | Dimension (ND — OD) | d | l | z | D | d1 | l1 | z1 | D1 | l2 | z2 | c | c1 | h | Weight |
|----------|------------------------|------|------|------|------|------|------|------|------|------|------|------|------|------|--------|
| | | [in] | [in] | [in] | [in] | [in] | [in] | [in] | [in] | [in] | [in] | [in] | [in] | [in] | [in] |
| 0130115 | ¾" x ½" — 25 x 20 mm | 0.98 | 2.36 | 1.73 | 1.57 | 0.79 | 3.05 | 2.48 | 1.16 | 3.11 | 2.48 | 1.26 | 3.15 | 2.01 | 0.60 |

aquatherm DISTRIBUTION BLOCK WITH INSULATION

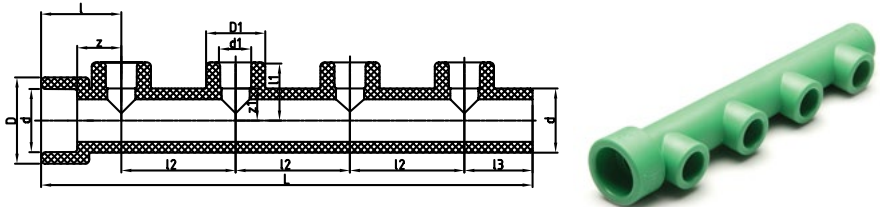
Identical to part no. 0130115, with added insulation block (3" x 3" — 70 x 70 mm).



| Part no. | Dimension (ND — OD) | l4 | b | h1 | Weight |
|----------|------------------------|------|------|------|--------|
| | | [in] | [in] | [in] | [lb] |
| 0130130 | ¾" x ½" — 25 x 20 mm | 7.24 | 4.72 | 2.01 | 0.70 |

aquatherm DISTRIBUTION PIPE

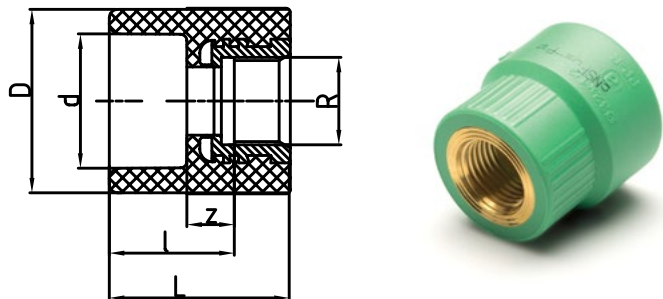
246 mm long, with four branch connections. This distribution pipe can be cut short or supplemented by fusion with additional distribution pipes as needed. The brass in this fitting meets potable water requirements.



| Part no. | Dimension (ND — OD) | d | d1 | l | z | D | l1 | z1 | D1 | l2 | l3 | L | Weight |
|----------|------------------------|------|------|------|------|------|------|------|------|------|------|------|--------|
| | | [in] | [in] | [in] | [in] | [in] | [in] | [in] | [in] | [in] | [in] | [in] | [lb] |
| 0130604 | 1" x ½" — 32 x 20 mm | 1.26 | 0.79 | 1.57 | 0.87 | 1.69 | 1.14 | 0.57 | 1.16 | 2.24 | 1.42 | 9.65 | 0.30 |

aquatherm DISTRIBUTOR END PIECE

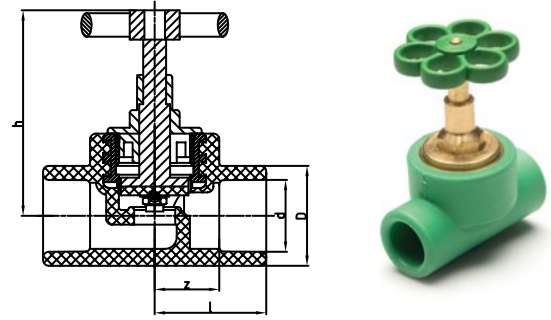
PP-R socket with female thread NPT for emptying or aerating a distribution pipe. The brass in this fitting meets potable water requirements.



| Lead-free (potable) brass part no. (NPT) | Dimension (ND — OD) x thread | d | l | z | D | L | R | Weight |
|---|---------------------------------|------|------|------|------|------|------|--------|
| | | [in] | [in] | [in] | [in] | [in] | [in] | [lb] |
| 0630804 | (1" — 32 mm) x ½" F | 1.26 | 1.18 | 0.47 | 1.69 | 1.69 | 0.50 | 0.10 |

aquatherm SCREW-DOWN STOP GLOBE VALVE

For surface installation.

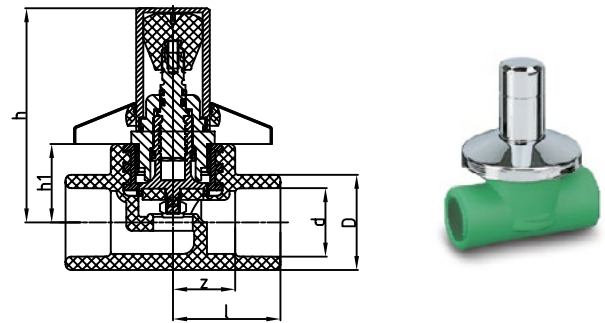


| Part no. | Dimension (ND — OD) | d | l | z | D | h | Weight [lb] |
|----------|------------------------|------|------|------|------|------|----------------|
| | | [in] | [in] | [in] | [in] | [in] | |
| 0140808 | ½" — 20 mm | 0.79 | 1.38 | 0.81 | 1.16 | 2.76 | 0.36 |
| 0140810 | ¾" — 25 mm | 0.98 | 1.50 | 0.87 | 1.34 | 2.76 | 0.38 |
| 0140812 | 1" — 32 mm | 1.26 | 1.93 | 1.22 | 1.69 | 3.41 | 0.69 |
| 0140814 | 1 ¼" — 40 mm | 1.57 | 2.36 | 1.56 | 2.05 | 3.96 | 1.29 |

*Brass components in these valves do not comply with the 2015 lead-free requirements for potable water systems.

aquatherm CONCEALED VALVE (short)

Chromium-plated and tamper-proof.



| Industrial brass part no. | Dimension (ND — OD) | d | l | z | D | h | h1 | Weight [lb] |
|---------------------------------|------------------------|------|------|------|------|------|------|----------------|
| | | [in] | [in] | [in] | [in] | [in] | [in] | |
| 0140868 | ½" — 20 mm | 0.79 | 1.38 | 0.81 | 1.16 | 2.81 | 1.10 | 0.57 |
| 0140870 | ¾" — 25 mm | 0.98 | 1.50 | 0.87 | 1.34 | 2.81 | 1.10 | 0.63 |
| 0140872 | 1" — 32 mm | 1.26 | 1.93 | 1.22 | 1.69 | 3.25 | 1.34 | 0.83 |

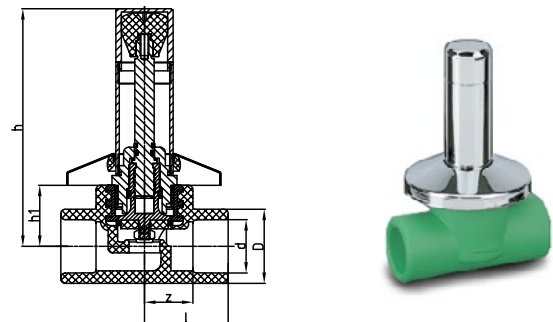
Part no. 0140868 - 0140870 suitable for construction depths up to 1".

Part no. 0140872 suitable for construction depths up to 1 ½".

*Brass components in these valves do not comply with the 2015 lead-free requirements for potable water systems.

aquatherm CONCEALED VALVE (standard length)

Chromium-plated and tamper proof. Suitable for construction depths up to 1-½".



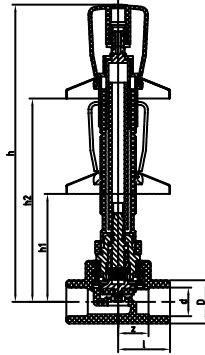
| Industrial brass part no. | Dimension (ND — OD) | d | l | z | D | h | h1 | Weight [lb] |
|---------------------------------|------------------------|------|------|------|------|------|------|----------------|
| | | [in] | [in] | [in] | [in] | [in] | [in] | |
| 0140888 | ½" — 20 mm | 0.79 | 1.38 | 0.81 | 1.16 | 4.29 | 1.10 | 0.75 |
| 0140890 | ¾" — 25 mm | 0.98 | 1.50 | 0.87 | 1.34 | 4.29 | 1.10 | 0.77 |
| 0140892 | 1" — 32 mm | 1.26 | 1.93 | 1.22 | 1.69 | 4.53 | 1.34 | 0.95 |

*Brass components in these valves do not comply with the 2015 lead-free requirements for potable water systems.

PRODUCT RANGE - VALVES

aquatherm CONCEALED VALVE (extended)

Chromium-plated. Includes hot/cold water indicator. Suitable for construction depths from 2 1/8" - 4".

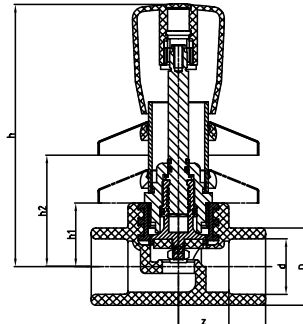


| Industrial brass part no. | Dimension (ND — OD) | d | l | z | D | h | h1 | h2 | Weight |
|---------------------------|---------------------|------|------|------|------|------|------|------|--------|
| | | [in] | [in] | [in] | [in] | [in] | [in] | [in] | [lb] |
| 0140878 | 1/2" — 20 mm | 0.79 | 1.38 | 0.81 | 1.16 | 8.39 | 2.32 | 5.79 | 0.79 |
| 0140880 | 3/4" — 25 mm | 0.98 | 1.50 | 0.87 | 1.34 | 8.39 | 2.32 | 5.79 | 0.81 |
| 0140882 | 1" — 32 mm | 1.26 | 1.93 | 1.22 | 1.69 | 8.62 | 2.56 | 6.02 | 1.00 |

*Brass components in these valves do not comply with the 2015 lead-free requirements for potable water systems.

aquatherm CONCEALED VALVE (standard)

Chromium-plated. Includes hot/cold water indicator.

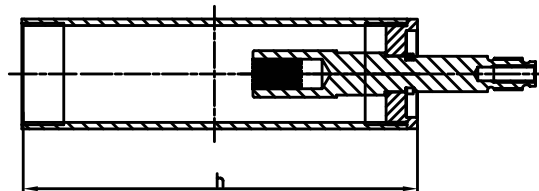


| Industrial brass part no. | Dimension (ND — OD) | d | l | z | D | h | h1 | h2 | Weight |
|---------------------------|---------------------|------|------|------|------|------|------|------|--------|
| | | [in] | [in] | [in] | [in] | [in] | [in] | [in] | [lb] |
| 0140858 | 1/2" — 20 mm | 0.79 | 1.38 | 0.81 | 1.16 | 4.57 | 1.10 | 2.32 | 0.70 |
| 0140860 | 3/4" — 25 mm | 0.98 | 1.50 | 0.87 | 1.34 | 4.57 | 1.10 | 2.32 | 0.73 |
| 0140862 | 1" — 32 mm | 1.26 | 1.93 | 1.22 | 1.69 | 4.76 | 1.34 | 2.32 | 0.92 |

*Brass components in these valves do not comply with the 2015 lead-free requirements for potable water systems.

Extension for aquatherm CONCEALED VALVE

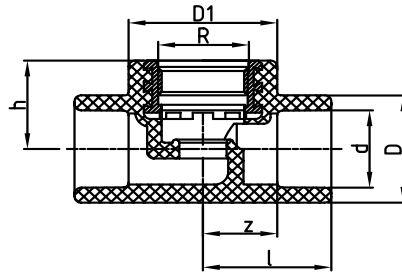
Chromium-plated. Use with part no. 0040858 - 0040862.



| Industrial brass part no. | Dimension | h | Weight |
|---------------------------|--------------------------|------|--------|
| | | [in] | [lb] |
| 0040900 | 3.2" extension (92 mm) | 3.62 | 0.33 |
| 0040902 | 4.25" extension (132 mm) | 5.20 | 0.46 |

*Brass components in these valves do not comply with the 2015 lead-free requirements for potable water systems.

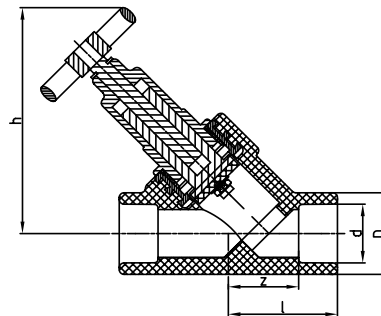
aquatherm STOP VALVE BODY ISO



| Industrial brass part no. (ISO) | Dimension PP-R (ND — OD) x thread | d | l | z | D | h | D1 | R | Weight |
|---------------------------------|-----------------------------------|------|------|------|------|------|------|------|--------|
| | | [in] | [in] | [in] | [in] | [in] | [in] | [in] | [lb] |
| 0040908 | (½" — 20 mm) x ¾" F | 0.79 | 1.38 | 0.79 | 1.16 | 1.10 | 1.73 | 0.75 | 0.21 |
| 0040910 | (¾" — 25 mm) x ¾" F | 0.98 | 1.50 | 0.87 | 1.34 | 1.10 | 1.73 | 0.75 | 0.22 |
| 0040912 | (1" — 32 mm) x 1" F | 1.26 | 1.93 | 1.22 | 1.69 | 1.34 | 2.05 | 1.00 | 0.32 |
| 0040914 | (1 ¼" — 40 mm) x 1 ¼" F | 1.57 | 2.36 | 1.56 | 2.05 | 1.61 | - | 1.25 | 0.69 |

*Brass components in these valves do not comply with the 2015 lead-free requirements for potable water systems.

aquatherm INCLINED VALVE without drain

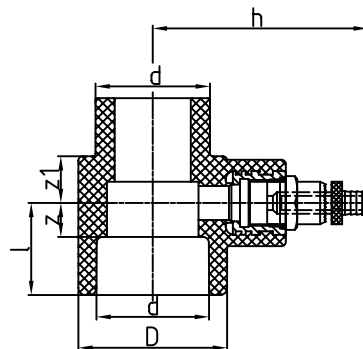


| Industrial brass part no. | Dimension (ND — OD) | d | l | z | D | h | Weight |
|---------------------------|---------------------|------|------|------|------|------|--------|
| | | [in] | [in] | [in] | [in] | [in] | [lb] |
| 0141108 | ½" — 20 mm | 0.79 | 1.77 | 1.20 | 1.34 | 3.76 | 0.65 |
| 0141110 | ¾" — 25 mm | 0.98 | 1.77 | 1.14 | 1.34 | 3.76 | 0.62 |
| 0141112 | 1" — 32 mm | 1.26 | 2.20 | 1.50 | 1.69 | 4.39 | 0.93 |
| 0141114 | 1 ¼" — 40 mm | 1.57 | 2.56 | 1.75 | 2.05 | 5.31 | 1.84 |

*Brass components in these valves do not comply with the 2015 lead-free requirements for potable water systems.

aquatherm DRAINING BRANCH

Fused in-line for use with **aquatherm green pipe** valves or other cases where draining is needed.



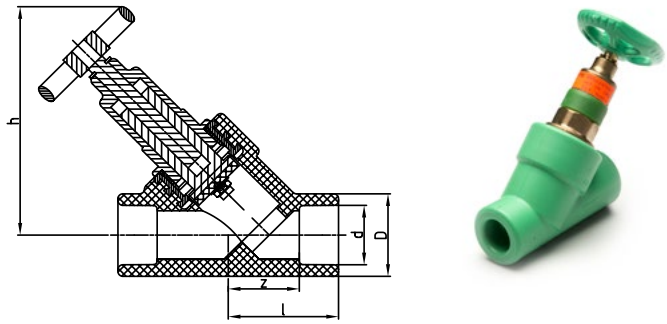
| Industrial brass part no. (NPT) | Dimension (ND — OD) | d | l | z | D | z1 | h | Weight |
|---------------------------------|---------------------|------|------|------|------|------|------|--------|
| | | [in] | [in] | [in] | [in] | [in] | [in] | [lb] |
| 0041408 | ½" — 20 mm | 0.79 | 0.45 | 1.02 | 1.34 | 0.65 | 2.64 | 0.22 |
| 0041410 | ¾" — 25 mm | 0.98 | 0.39 | 1.02 | 1.34 | 0.65 | 2.64 | 0.21 |
| 0041412 | 1" — 32 mm | 1.26 | 0.55 | 1.26 | 1.69 | 0.67 | 2.78 | 0.26 |
| 0041414 | 1 ¼" — 40 mm | 1.57 | 0.47 | 1.28 | 2.05 | 0.65 | 3.01 | 0.31 |
| 0041416 | 1 ½" — 50 mm | 1.97 | 0.61 | 1.54 | 2.68 | 0.67 | 3.30 | 0.45 |
| 0041418 | 2" — 63 mm | 2.48 | 0.65 | 1.73 | 3.31 | 0.65 | 3.66 | 0.64 |

*Brass components in these valves do not comply with the 2015 lead-free requirements for potable water systems.

PRODUCT RANGE - VALVES

aquatherm INCLINED CHECK VALVE without drain

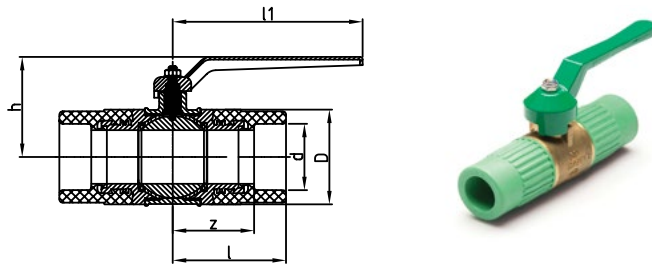
Adjustable pressure check valve.



| Industrial brass part no. | Dimension (ND — OD) | d | l | z | D | h | Weight |
|---------------------------|---------------------|------|------|------|------|------|--------|
| | | [in] | [in] | [in] | [in] | [in] | [lb] |
| 0141208 | ½" — 20 mm | 0.79 | 1.77 | 1.20 | 1.34 | 3.76 | 0.65 |
| 0141210 | ¾" — 25 mm | 0.98 | 1.77 | 1.14 | 1.34 | 3.76 | 0.64 |
| 0141212 | 1" — 32 mm | 1.26 | 2.20 | 1.50 | 1.69 | 4.39 | 0.95 |
| 0141214 | 1 ¼" — 40 mm | 1.57 | 2.56 | 1.75 | 2.05 | 5.31 | 1.85 |

*Brass components in these valves do not comply with the 2015 lead-free requirements for potable water systems.

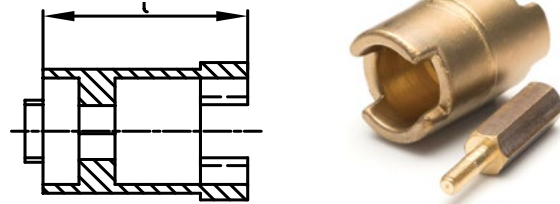
aquatherm POLYPROPYLENE/BRASS BALL VALVE without drain



| Industrial brass part no. | Dimension (ND — OD) | d | l | z | D | h | l1 | Weight |
|---------------------------|---------------------|------|------|------|------|------|------|--------|
| | | [in] | [in] | [in] | [in] | [in] | [in] | [lb] |
| 0041308 | ½" — 20 mm | 0.79 | 2.17 | 1.59 | 1.26 | 2.60 | 3.35 | 0.62 |
| 0041310 | ¾" — 25 mm | 0.98 | 2.17 | 1.54 | 1.61 | 2.87 | 3.35 | 0.83 |
| 0041312 | 1" — 32 mm | 1.26 | 2.50 | 1.79 | 1.85 | 3.23 | 4.25 | 1.31 |
| 0041314 | 1 ¼" — 40 mm | 1.57 | 2.85 | 2.05 | 2.28 | 3.66 | 4.25 | 2.24 |
| 0041316 | 1 ½" — 50 mm | 1.97 | 3.29 | 2.36 | 2.78 | 4.49 | 5.51 | 3.72 |
| 0041318 | 2" — 63 mm | 2.48 | 4.04 | 2.95 | 3.43 | 5.20 | 5.51 | 6.34 |

*Brass components in these valves do not comply with the 2015 lead-free requirements for potable water systems.

aquatherm BALL VALVE HANDLE EXTENSION



| Part no. | Dimension (ND — OD) x length | l | Weight |
|----------|---|------|--------|
| | | [in] | [lb] |
| 0041378 | ½" to ¾" x 1 ⅓" — 20 to 25 mm x 35 mm | 1.38 | 0.26 |
| 0041382 | 1" to 1 ¼" x 1 ⅓" — 32 to 40 mm x 35 mm | 1.38 | 0.26 |
| 0041386 | 1 ½" to 2" x 1 ⅘" — 50 - 63 mm x 46 mm | 1.81 | 0.60 |

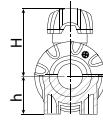
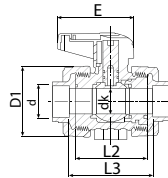
Part no. 0041378 suitable for part no. 0041308 / 0041310.

Part no. 0041382 suitable for part no. 0041312 / 0041314.

Part no. 0041386 suitable for part no. 0041316 / 0041318.

aquatherm POLYPROPYLENE BALL VALVE

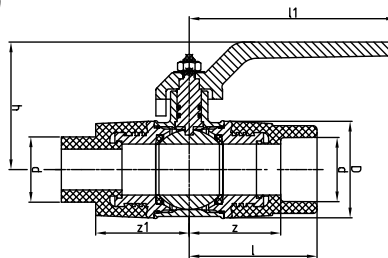
Replacement parts can be ordered for O-rings, handles, end connectors, and socket inserts for pipe connection.



| Part no. | Dimension (ND — OD) | E | D1 | d | dk | L2 | L3 | H | h | Weight |
|----------------------|------------------------|------|------|------|------|------|------|------|------|--------|
| | | [in] | [in] | [in] | [in] | [in] | [in] | [in] | [in] | [lb] |
| 0041488 | ½" — 20 mm | 2.60 | 1.98 | 0.79 | 0.53 | 2.22 | 2.68 | 2.01 | 1.06 | 0.26 |
| 0041588 ^a | ½" — 20 mm | 2.60 | 1.98 | 0.79 | 0.53 | 2.22 | 2.68 | 2.01 | 1.06 | 0.26 |
| 0041490 | ¾" — 25 mm | 3.19 | 2.32 | 0.98 | 0.73 | 2.58 | 3.09 | 2.40 | 1.18 | 0.40 |
| 0041590 ^a | ¾" — 25 mm | 3.19 | 2.32 | 0.98 | 0.73 | 2.58 | 3.09 | 2.40 | 1.18 | 0.40 |
| 0041492 | 1" — 32 mm | 3.21 | 2.77 | 1.26 | 0.94 | 2.83 | 3.33 | 2.40 | 1.57 | 0.60 |
| 0041592 ^a | 1" — 32 mm | 3.21 | 2.77 | 1.26 | 0.94 | 2.83 | 3.33 | 2.40 | 1.57 | 0.60 |
| 0041494 | 1 ¼" — 40 mm | 3.60 | 3.38 | 1.57 | 1.22 | 3.35 | 3.94 | 3.19 | 1.81 | 1.07 |
| 0041594 ^a | 1 ¼" — 40 mm | 3.60 | 3.38 | 1.57 | 1.22 | 3.35 | 3.94 | 3.19 | 1.81 | 1.07 |
| 0041496 | 1 ½" — 50 mm | 3.60 | 3.92 | 1.97 | 1.52 | 3.50 | 4.21 | 3.54 | 2.17 | 1.43 |
| 0041596 ^a | 1 ½" — 50 mm | 3.60 | 3.92 | 1.97 | 1.52 | 3.50 | 4.21 | 3.54 | 2.17 | 1.43 |
| 0041498 | 2" — 63 mm | 5.57 | 4.94 | 2.48 | 1.97 | 3.98 | 4.65 | 4.50 | 2.76 | 2.66 |
| 0041598 ^a | 2" — 63 mm | 5.57 | 4.94 | 2.48 | 1.97 | 3.98 | 4.65 | 4.50 | 2.76 | 2.66 |
| 0041400 | 2 ½" — 75 mm | 7.31 | 5.06 | 3.62 | 2.53 | 8.13 | 9.00 | 5.50 | 2.90 | 5.35 |

^aPart comes with FKM/FPM O-ring and in the color gray.

aquatherm POLYPROPYLENE/BRASS BALL VALVE (male/female)



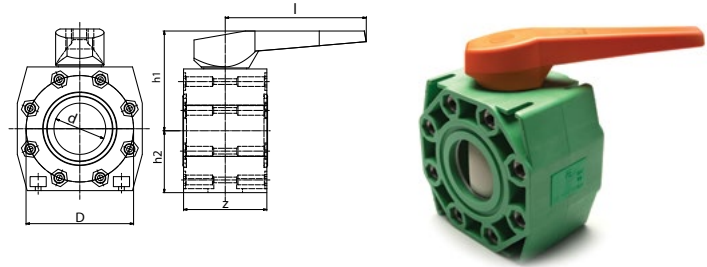
| Industrial brass part no. | Dimension (ND — OD) | d | l | z | D | z1 | h | l1 | Weight |
|---------------------------------|------------------------|------|------|------|------|------|------|------|--------|
| | | [in] | [in] | [in] | [in] | [in] | [in] | [in] | [lb] |
| 0078000 | (1" — 32 mm) M/F | 1.26 | 2.48 | 1.77 | 1.87 | 1.83 | 3.07 | 4.25 | 1.27 |

*Brass components in these valves do not comply with the 2015 lead-free requirements for potable water systems.

PRODUCT RANGE - VALVES

aquatherm BALL VALVE

Polypropylene construction with ISO bolt pattern.



| Part no. | Dimension (ND — OD) | d | l | z | D | h1 | h2 | Weight |
|-----------------------|----------------------------|------|------|------|------|------|------|--------|
| | | [in] | [in] | [in] | [in] | [in] | [in] | [lb] |
| 0041602 | 3" — 90 mm | 3.03 | 8.27 | 4.88 | 6.30 | 5.91 | 3.66 | 9.25 |
| 0041702 ^a | 3" — 90 mm | 3.03 | 8.27 | 4.88 | 6.30 | 5.91 | 3.66 | 9.25 |
| 0041604 ^b | 3 ½" to 4" — 110 to 125 mm | 3.70 | 10.2 | 5.71 | 7.09 | 6.50 | 4.06 | 12.4 |
| 0041704 ^{ab} | 3 ½" to 4" — 110 to 125 mm | 3.70 | 10.2 | 5.71 | 7.09 | 6.50 | 4.06 | 12.4 |
| 0041607 | 6" — 160 mm | 5.31 | 12.2 | 8.07 | 9.45 | 8.27 | 5.37 | 29.6 |
| 0041707 ^a | 6" — 160 mm | 5.31 | 12.2 | 8.07 | 9.45 | 8.27 | 5.37 | 29.6 |

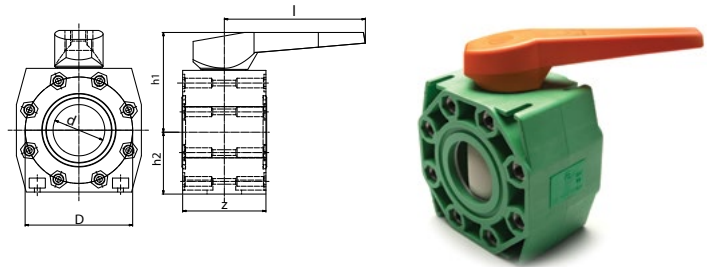
^a Part comes with FKM/FPM O-ring and in the color gray.

^b For a 4" connection, use part no. 0115526 and part no. 3315726. For a 3 ½" connection, use part no. 0115524 and part no. 3315724.

Note: A full-faced flange gasket should be used with these valves. Do not use an O-ring with or without the flange gasket or leakage may occur. Discard any O-ring that may come with the valve.

aquatherm BALL VALVE WITH BOLT/GASKET KIT

Polypropylene construction with ISO bolt pattern. Comes with 2 gaskets, 16 bolts, and 16 washers. Contact Aquatherm to order parts individually.



| Part no. | Dimension (ND — OD) | d | l | z | D | h1 | h2 | Weight |
|----------------------|----------------------------|------|------|------|------|------|------|--------|
| | | [in] | [in] | [in] | [in] | [in] | [in] | [lb] |
| 0041802 | 3" — 90 mm | 3.03 | 8.27 | 4.88 | 6.30 | 5.91 | 3.66 | 9.25 |
| 0041804 ^a | 3 ½" to 4" — 110 to 125 mm | 3.70 | 10.2 | 5.71 | 7.09 | 6.50 | 4.06 | 12.4 |
| 0041807 | 6" — 160 mm | 5.31 | 12.2 | 8.07 | 9.45 | 8.27 | 5.37 | 29.6 |

^a For a 4" connection, use part no. 0115526 and part no. 3315726. For a 3 ½" connection, use part no. 0115524 and part no. 3315724.

Note: A full-faced flange gasket should be used with these valves. Do not use an O-ring with or without the flange gasket or leakage may occur. Discard any O-ring that may come with the valve.

AQUATHERM REPLACEMENT BOLT/GASKET KIT FOR BALL VALVES

Kit includes the following replacement parts for the polypropylene Aquatherm ball valves: 2 gaskets, 16 bolts, and 16 washers.

| Part no. | Dimension (ND — OD) |
|------------------------|----------------------------|
| 4160218-S ^a | 3" — 90 mm |
| 4160418-S ^b | 3 ½" to 4" — 110 to 125 mm |
| 4160718-S ^c | 6" — 160 mm |

^a Replacement kit for part no. 0041602 and 0041702.

^b Replacement kit for part no. 0041604 and 0041704.

^c Replacement kit for part no. 0041607 and 0041707.

AQUATHERM PIPE CUTTER

For use with Aquatherm PP-R only.

| Part no. | Dimension | Weight [lb] |
|----------|--|-------------|
| 0050104 | ($\frac{3}{8}$ " - 1 $\frac{1}{4}$ ") — (16 - 40 mm) | 1.30 |



AQUATHERM TEMPERATURE PROTECTIVE GLOVES (PAIR)

For use during fusion and changing welding heads.

| Part no. | Dimension |
|----------|------------------------|
| 0050195 | 20 mm x 1/2"IG x 20 mm |



AQUATHERM REPAIR SET

For closing pipe holes up to 0.4 in. Use with repair plug (part no. 0060600).

| Part no. | Dimension | Weight [lb] |
|----------|--------------------------|-------------|
| 0050307 | $\frac{1}{4}$ " — 7 mm | 0.32 |
| 0050311 | $\frac{7}{16}$ " — 11 mm | 0.39 |



aquatherm REPAIR PLUG

PP-R plug for closing pipe holes up to 0.4 in. Use with Aquatherm repair set (part no. 0050307 & 0050311).

| Part no. | Dimension OD for each end | Weight [lb] |
|----------|--|-------------|
| 0060600 | $\frac{7}{16}$ " x $\frac{1}{4}$ " — 11 x 7 mm | 0.02 |



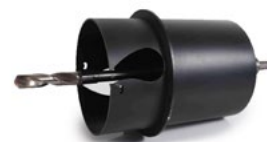
AQUATHERM DRILL BIT

| Part no. | Dimension | Weight [lb] |
|----------|--|-------------|
| 0050940 | $\frac{1}{2}$ " & $\frac{3}{4}$ " — 20 & 25 mm (for pipes 1 $\frac{1}{4}$ " - 6" — 40 - 160 mm) | 0.30 |
| 0050941 | $\frac{1}{2}$ " & $\frac{3}{4}$ " — 20 & 25 mm (for pipes 6" - 10" — 160 - 250 mm) | 0.35 |
| 0050942 | 1" — 32 mm | 0.46 |
| 0050944 | 1 $\frac{1}{4}$ " — 40 mm | 0.63 |
| 0050946 | 1 $\frac{1}{2}$ " — 50 mm | 0.70 |
| 0050948 | 2" — 63 mm | 1.00 |



AQUATHERM HOLE SAWS AND COMPONENTS

| Part no. | Dimension |
|----------------------|---|
| 0050987 ^a | 2 $\frac{1}{2}$ " — 75 mm |
| 0050988 ^a | 3" — 90 mm |
| 0050989 ^b | 3 $\frac{1}{2}$ " — 110 mm |
| 0050990 ^b | 4" — 125 mm |
| 0050991 ^b | 6" — 160 mm |
| 0050973 | Small hole saw Pilot Bit/Arbor Quick Change Adapter (75 mm - 90 mm) |
| 0050975 | Hole Saw Pilot Bit |
| 0050976 | 1/2" Hole Saw Arbor/Drill Chuck Adapter (110 mm - 160 mm) |



^aRequires part 0050973.

^bRequires parts 0050975 & 0050976.

PRODUCT RANGE - TOOLS

AQUATHERM FUSION HEADS

| Part no. | Dimension | Weight |
|----------|---------------|--------|
| | | [lb] |
| 0050206 | ¾" — 16 mm | 0.24 |
| 0050208 | ½" — 20 mm | 0.25 |
| 0050210 | ¾" — 25 mm | 0.31 |
| 0050212 | 1" — 32 mm | 0.46 |
| 0050214 | 1 ¼" — 40 mm | 0.68 |
| 0050216 | 1 ½" — 50 mm | 1.00 |
| 0050218 | 2" — 63 mm | 1.50 |
| 0050220 | 2 ½" — 75 mm | 2.02 |
| 0050222 | 3" — 90 mm | 3.12 |
| 0050224 | 3 ½" — 110 mm | 5.41 |
| 0050226 | 4" — 125 mm | 7.33 |



AQUATHERM FUSION OUTLET HEADS

| Part no. | Dimension | Weight |
|----------|-----------------------------------|--------|
| | | [lb] |
| 0050614 | 1 ¼" x ½" & ¾" — 40 x 20 & 25 mm | 0.41 |
| 0050616 | 1 ½" x ½" & ¾" — 50 x 20 & 25 mm | 0.49 |
| 0050619 | 2" x ½" & ¾" — 63 x 20 & 25 mm | 0.53 |
| 0050620 | 2" x 1" — 63 x 32 mm | 0.54 |
| 0050623 | 2 ½" x ½" & ¾" — 75 x 20 & 25 mm | 0.56 |
| 0050624 | 2 ½" x 1" — 75 x 32 mm | 0.57 |
| 0050625 | 2 ½" x 1 ¼" — 75 x 40 mm | 0.99 |
| 0050627 | 3" x ½" & ¾" — 90 x 20 & 25 mm | 0.59 |
| 0050628 | 3" x 1" — 90 x 32 mm | 0.61 |
| 0050629 | 3" x 1 ¼" — 90 x 40 mm | 1.02 |
| 0050631 | 3 ½" x ½" & ¾" — 110 x 20 & 25 mm | 0.61 |
| 0050632 | 3 ½" x 1" — 110 x 32 mm | 0.63 |
| 0050634 | 3 ½" x 1 ¼" — 110 x 40 mm | 1.06 |
| 0050635 | 3 ½" x 1 ½" — 110 x 50 mm | 1.71 |
| 0050636 | 4" x ½" & ¾" — 125 x 20 & 25 mm | 0.64 |
| 0050638 | 4" x 1" — 125 x 32 mm | 0.66 |
| 0050640 | 4" x 1 ¼" — 125 x 40 mm | 1.12 |
| 0050642 | 4" x 1 ½" — 125 x 50 mm | 1.74 |
| 0050644 | 4" x 2" — 125 x 63 mm | 2.71 |
| 0050648 | 6" x ½" & ¾" — 160 x 20 & 25 mm | 0.71 |
| 0050650 | 6" x 1" — 160 x 32 mm | 0.74 |
| 0050652 | 6" x 1 ¼" — 160 x 40 mm | 1.20 |
| 0050654 | 6" x 1 ½" — 160 x 50 mm | 1.85 |
| 0050656 | 6" x 2" — 160 x 63 mm | 2.84 |
| 0050657 | 6" x 2 ½" — 160 x 75 mm | 3.90 |
| 0050658 | 6" x 3" — 160 x 90 mm | 6.71 |
| 0050660 | 8" x ½" & ¾" — 200 x 20 & 25 mm | 0.44 |
| 0050662 | 8" x 1" — 200 x 32 mm | 0.51 |
| 0050664 | 8" x 1 ¼" — 200 x 40 mm | 0.89 |
| 0050666 | 8" x 1 ½" — 200 x 50 mm | 1.42 |
| 0050667 | 8" x 2 ½" — 200 x 75 mm | 3.94 |
| 0050668 | 8" x 2" — 200 x 63 mm | 2.30 |



AQUATHERM FUSION OUTLET HEADS (continued)

| Part no. | Dimension | Weight |
|----------|-------------------------------------|--------|
| | | [lb] |
| 0050669 | 8" x 3" — 200 x 90 mm | 6.77 |
| 0050670 | 8" x 3 ½" — 200 x 110 mm | 10.5 |
| 0050671 | 8" x 4" — 200 x 125 mm | 13.6 |
| 0050672 | 10" x ½" & ¾" — 250 x 20 & 25 mm | 0.44 |
| 0050674 | 10" x 1" — 250 x 32 mm | 0.51 |
| 0050676 | 10" x 1 ¼" — 250 x 40 mm | 0.89 |
| 0050678 | 10" x 1 ½" — 250 x 50 mm | 1.46 |
| 0050680 | 10" x 2" — 250 x 63 mm | 2.35 |
| 0050682 | 10" x 2 ½" — 250 x 75 mm | 3.95 |
| 0050684 | 10" x 3" — 250 x 90 mm | 6.77 |
| 0050686 | 10" x 3 ½" — 250 x 110 mm | 10.6 |
| 0050688 | 10" x 4" — 250 x 125 mm | 13.2 |
| 0050690 | 12" x 2" — 315 x 63 mm | 2.41 |
| 0050692 | 12" x 2 ½" — 315 x 75 mm | 4.22 |
| 0050694 | 12" x 3" — 315 x 90 mm | 7.11 |
| 0050696 | 12" x 3 ½" — 315 x 110 mm | 10.6 |
| 0050698 | 12" x 4" — 315 x 125 mm | 13.2 |
| 0050699 | 12" x 6" — 315 x 160 mm | 20.6 |
| 0050712 | 14" x 2" — 355 x 63 mm | 2.43 |
| 0050714 | 14" x 2 ½" — 355 x 75 mm | 4.40 |
| 0050716 | 14" x 3" — 355 x 90 mm | 7.22 |
| 0050718 | 14" x 3 ½" — 355 x 110 mm | 10.7 |
| 0050720 | 14" x 4" — 355 x 125 mm | 13.3 |
| 0050722 | 14" x 6" — 355 x 160 mm | 19.5 |
| 0050724 | 14" x 8" — 355 x 200 mm | 31.5 |
| 0050726 | 16" - 24" x 2" — 400-630 x 63 mm | 2.34 |
| 0050728 | 16" - 20" x 2 ½" — 400-500 x 75 mm | 3.41 |
| 0050730 | 22" - 24" x 2 ½" — 560-630 x 75 mm | 3.66 |
| 0050732 | 16" - 20" x 3" — 400-500 x 90 mm | 5.21 |
| 0050734 | 22" - 24" x 3" — 560-630 x 90 mm | 5.43 |
| 0050736 | 16" - 18" x 3 ½" — 400-450 x 110 mm | 6.46 |
| 0050738 | 20" - 22" x 3 ½" — 500-560 x 110 mm | 8.81 |
| 0050740 | 24" x 3 ½" — 630 x 110 mm | 9.11 |
| 0050742 | 16" x 4" — 400 x 125 mm | 11.8 |
| 0050744 | 18" - 20" x 4" — 450-500 x 125 mm | 11.9 |
| 0050746 | 22" - 24" x 4" — 560-630 x 125 mm | 12.1 |



AQUATHERM REPLACEMENT PILOT BITS

| Part no. | Dimension (ND — OD) |
|----------|--------------------------|
| 0099910 | ½" to 1" — 20 to 32 mm |
| 0099911 | 1 ¼" to 2" — 40 to 63 mm |



aquatherm

we've got a pipe for that

aquatherm

825 West 600 North
Lindon, UT 84042
USA
Phone: +1 801-805-6657

support@aquatherm.com
www.aquatherm.com

aquatherm GmbH

Headquarters
Biggen 5
57439 Attendorn
Germany
Phone: +49 (0) 2722 950-0
www.aquatherm.de



aquatherm
state of the pipe

