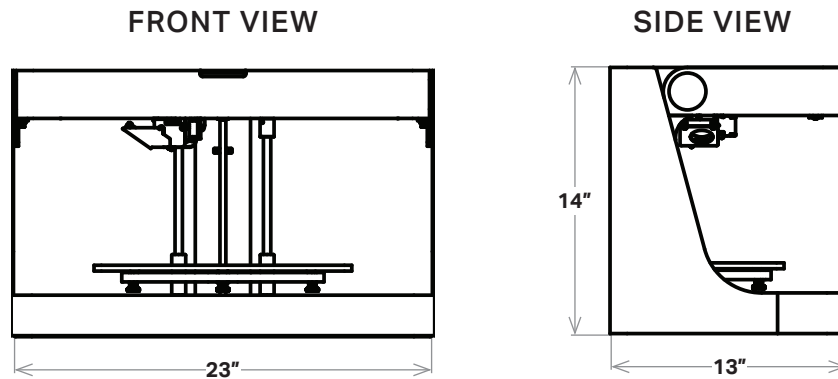


PRODUCT SPECIFICATIONS

Onyx Pro (Gen 2)

The Onyx Pro features our unique continuous fiber reinforcement at an affordable price. Built on a durable chassis with precision components, the Onyx Pro prints fiberglass-reinforced thermoplastic parts that are 10x as strong as traditional printing plastics.

| | | |
|---------------------------|---------------------------|---|
| Printer Properties | Process | Fused filament fabrication, Continuous Filament Fabrication |
| | Build Volume | 320 x 132 x 154 mm (12.6 x 5.2 x 6 in) |
| | Weight | 16 kg (35 lbs) |
| | Machine Footprint | 584 x 330 x 355 mm (23 x 13 x 14 in) |
| | Print Bed | Kinematic coupling — flat to within 160 µm |
| | Extrusion System | Second-generation extruder, out-of-plastic detection |
| | Power | 100–240 VAC, 150 W (2 A peak) |
| | RF Module | Operating Band 2.4 GHz Wi-Fi Standards 802.11 b/g/n |
| Materials | Plastics Available | Onyx |
| | Fibers Available | Fiberglass |
| | Tensile Strength | 590 MPa (19.0x ABS, 1.9x 6061-T6 Aluminum) * |
| | Tensile Modulus | 21 GPa (9.4x ABS, 0.3x 6061-T6 Aluminum) * |
| Part Properties | Layer Height | 100 µm default, 200 µm maximum |
| | Infill | Closed cell infill: multiple geometries available |
| Software | Supplied Software | Eiger Cloud (Other options available at cost) |
| | Security | Two-factor authentication, org admin access, single sign-on |



* Continuous fiberglass data. **Note:** All specifications are approximate and subject to change without notice.