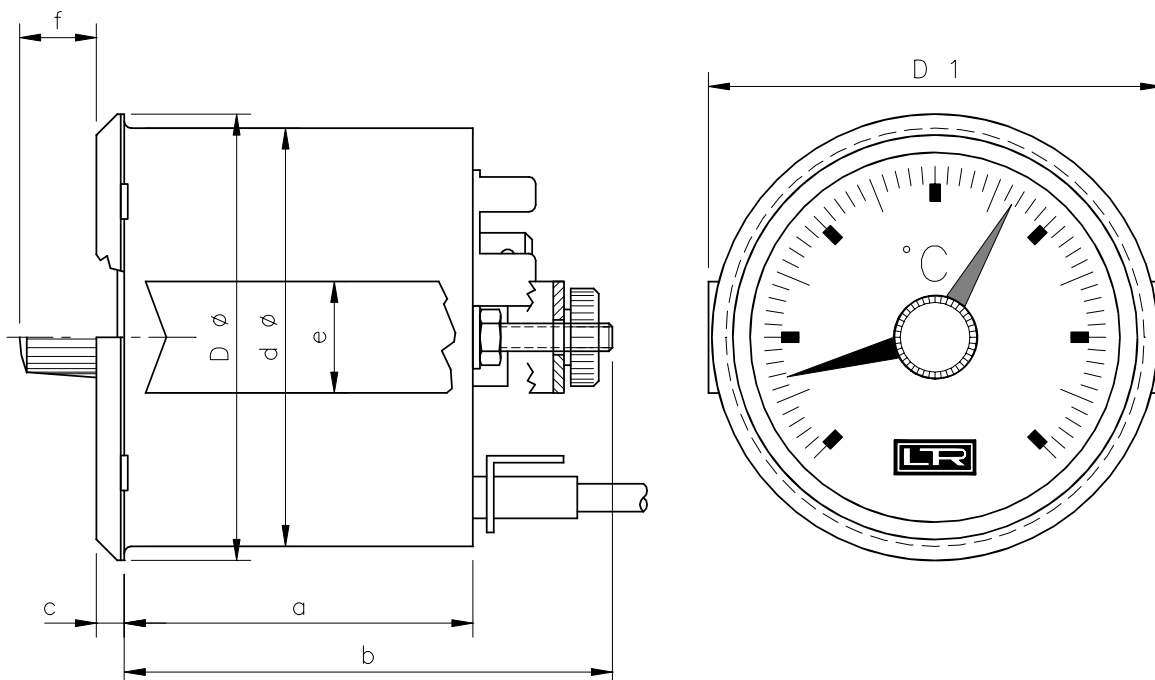


04.12

Telethermostat with u-clamp fixing



Type	a	b	c	d	e	f	D
3060.1 KB/K(D)	50	70	2(4)	60	16	13	63
3060.1 KB/M	50	70	4	60	16	13	63

case:	ABS black 3060.1 KB/K(D) or steel sheet anti-corrosive 3060.1 KB/M
mounting:	bracket mounting
window:	THERMOPLAST, clear, resistant up to +65°C
measuring system:	single bourdon spring system, without compensation
dial:	white with black prints
scalenlength:	approx..240 <°
graduation:	1°, 2°, 5°, 10° depending on range
range:	-80°C... +380°C
accuracy:	class 2 acc.to DIN 16203
pointer:	actual value black - set value red
capillary:	copper - single copper braided, 1.500 mm
bulb:	3c, plain , EL 20...33 mm x 8.5 mm
contact:	1 singlepole micro switch, adjustable by frontside knob
switching power:	5 A 250 V AC 40-60 Hz, non inductive
switching differential:	approx. ± 2% of range
electrical terminals:	AMP terminals, size 6.3 acc.to EN 60730
electrical classification:	I
protection:	case IP 53, terminals IP 00 acc. to DIN 40 050
approvals:	CE acc.to EN 60730-1 + EN 60730-2-9,
QMS:	DIN EN ISO 90001