



PYBOM ELEVATOR PARTS



Ningbo Beilun Elevator Technology Co., Ltd.

Address: Beilun Economic Development Zone Ningbo China
Tel: 86-574 87739770 / Fax: 86-574 87210301
E-mail: sales@pybom.com / sales@elevator-part.com

www.elevator-part.com

Ningbo Beilun Elevator Technology Co., Ltd.



We located in Ningbo City, Zhejiang Province China. Ningbo Beilun Elevator Technology Co., Ltd. is a professional elevator parts supplier and trader. Our products range is from push button, touch button, car operation panel, elevator door detector, door operator system, elevator traveling cable, cabin decoration, safety components, and many related parts.

With an advantageous geographical location, our company can ensure a very convenient transportation to ship goods and for you to visit us. We are close to both Shanghai Sea Port and Ningbo Sea Port, about 2 hours driving to both Hangzhou Airport and Shanghai Airport.

We are specialized in designing, researching and collecting elevator parts and escalator components. Our company owns technology department, production department, quality inspection department and other departments that can ensure product quality, and we have won the trust from both domestic and overseas customers. As well we have many good relations factories who can supply many different elevator parts, we can follow up the products, supervise the production, collect all of them, and load container. We will supply you excellent service and perfect quality.

We believe, on the basis of a good and mutual cooperation, we can let you grow stronger than other competitors, and you will help us develop faster. Finally we will achieve win-win situation.



Why Choose Us?

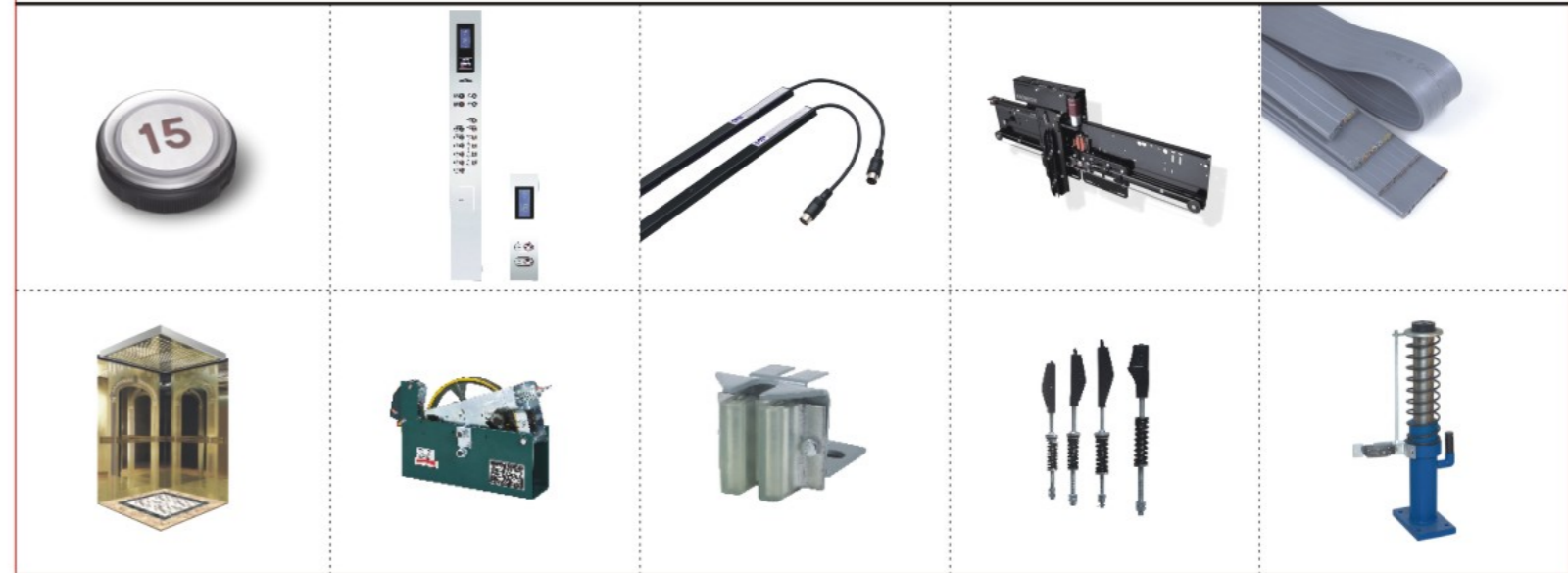
- Proven Experience
- Quality
- Competitive Rates
- Quick Response
- Quick Delivery

企业简介

Company introduction



We purchase from Pybom!



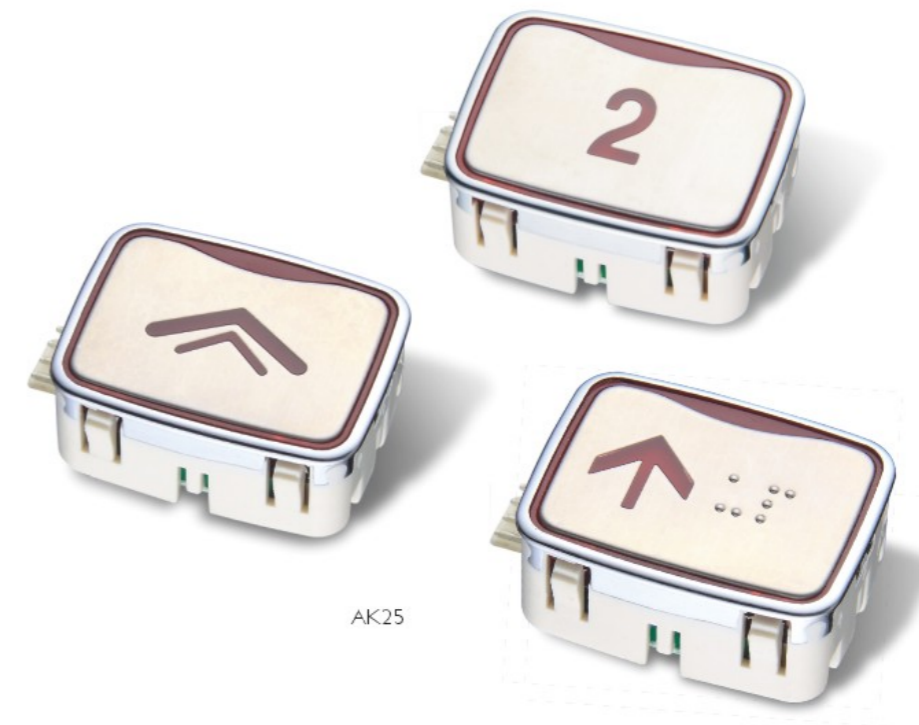
Contents

- 01-04 > ELEVATOR BUTTON
- 05-06 > CAR OPERATION PANEL
- 07-10 > ELEVATOR DOOR DETECTOR
- 11-15 > DOOR OPERATOR SYSTEM
- 17-18 > ELEVATOR CABLE
- 19-20 > ELEVATOR CABIN DECORATION
- 21-24 > OVERSPEED GOVERNOR
 - 25 > ROPE FASTENING
 - 26 > GUIDE SHOE
 - 27 > OIL BUFFER
 - 28 > MORE ELEVATOR SPARE PARTS

Hyundai Elevator Button



LG Elevator Button



AK01



AK02



AK04



AK09



AK13



AK20



AK06



AK07



AK08



AK22



AK23



AK24



AK26



AK28



AK27



AK29



AK30

KEY SWITCH



AK01

AK04

AK16



AK34



AK35



AK36

TOUCH BUTTON



3504



3503

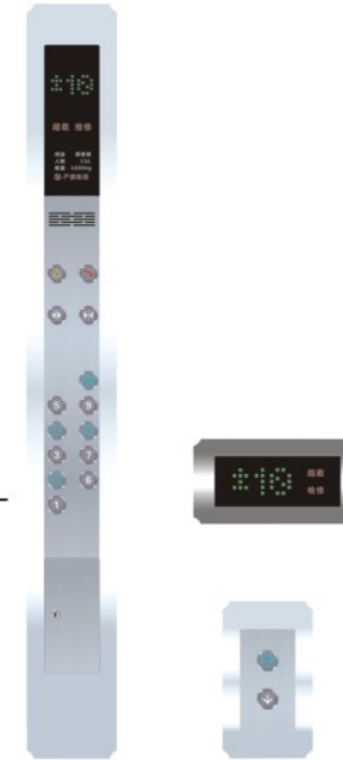
COP-207A
HOP-207B



COP-210A
HOP-210B



COP-250A
HOP-250B



COP-260A
HOP-260B



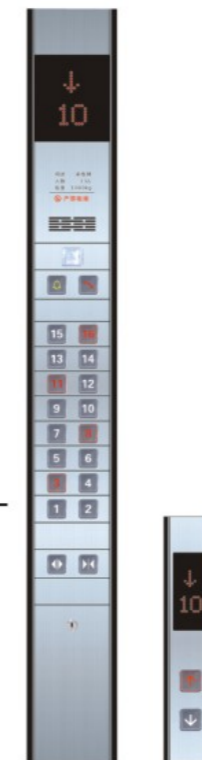
COP-211A
HOP-211B



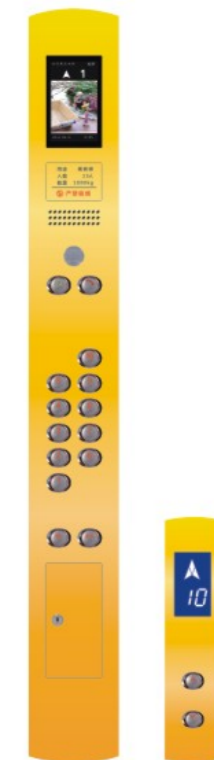
COP-231A
HOP-231B



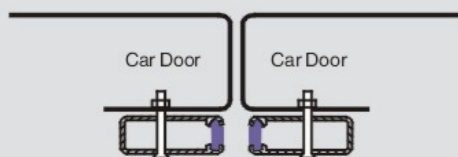
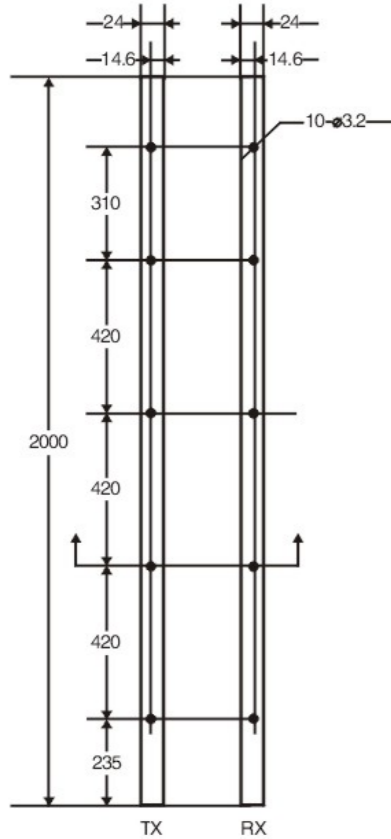
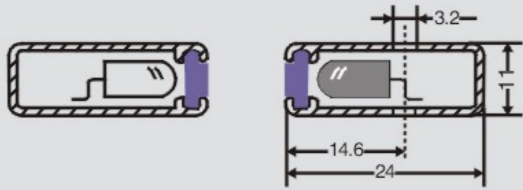
COP-271A
HOP-271B



COP-290A
HOP-290B



A

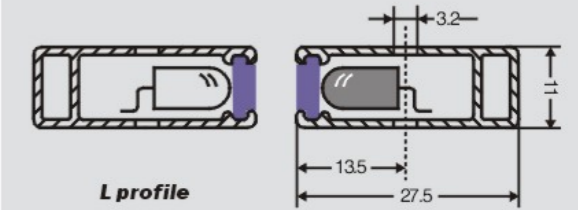


A: 94 Beams

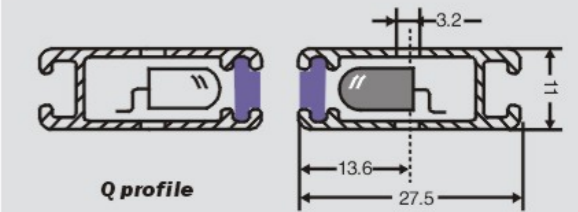
Technical data:

| | |
|----------------------------------|------------------------------------|
| Number of beams(Max.) | 94 |
| Operating environment | -20°C+65°C |
| Light Immunity | 100000Lux |
| Vertical tolerance | +/- 10mm,7° |
| Horizontal tolerance | +/- 3mm,5° |
| Dimensions | H2000mm*W24mm*D11mm |
| Detecting height | 20mm-1841mm |
| Detecting range | 0-4m |
| Quality warranty | 12months after shipping |
| Response time | 36.5ms |
| Power consumption | ≤4W or 100Ma @ DC24V |
| Signal output | Relay output (AC220V,AC110V,DC24V) |
| LED power Indicator in receiver | Green LED when it is detecting |
| LED status Indicator in receiver | Red LED when it is detecting |
| Number of diodes | 17pairs |
| Infra red diodes range | 117.5mm |
| EMC | EN12015,EN12016 |
| Protection level | IP54(TX,RX),IP31(Power box) |
| Certificate | CE |

LIQ



L profile



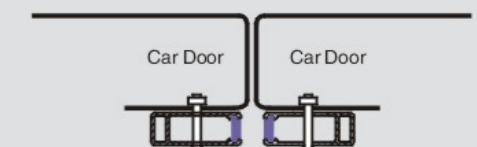
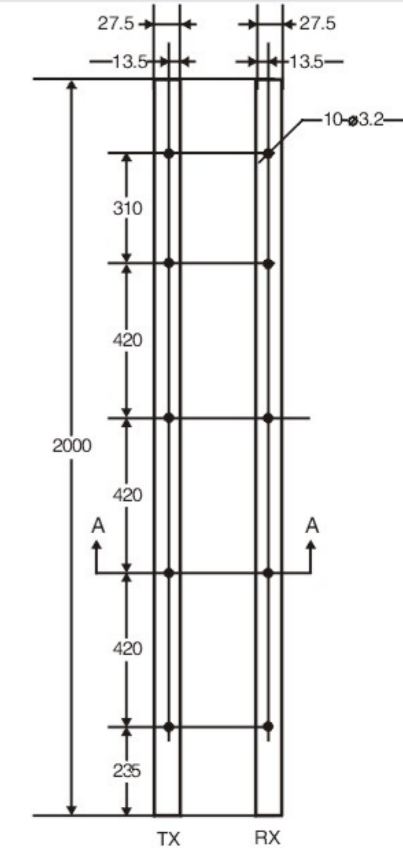
Q profile



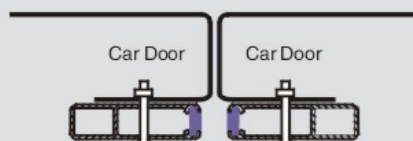
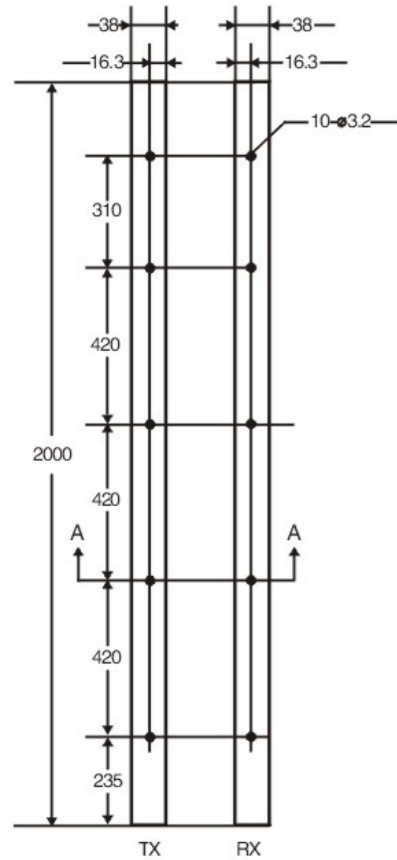
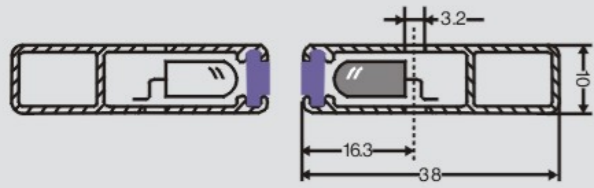
**L: 128 Beams
Q: 154 Beams**

Technical data:

| | |
|----------------------------------|---|
| Number of beams(Max.) | 128(L) 154(Q) |
| Operating environment | -20°C+65°C |
| Light Immunity | 100000Lux |
| Vertical tolerance | +/- 10mm,7° |
| Horizontal tolerance | +/- 3mm,5° |
| Dimensions | H2000mm*W27.5mm*D11mm |
| Detecting height | 20mm-1841mm |
| Detecting range | 0-3m |
| Response time | 57.5ms |
| Quality warranty | 12months after shipping |
| Power consumption | ≤4W or 100Ma @ DC24V |
| Signal output | Relay output (AC220V,AC110V,DC24V) |
| LED power Indicator in receiver | Green LED when it is detecting |
| LED status Indicator in receiver | Red LED when it is detecting |
| Number of diodes | 32pairs |
| Infra red diodes range | 58.8mm |
| Redundancy | One transmitter shielded after 120s detected absent |
| EMC | EN12015,EN12016 |
| Protection level | IP54(TX,RX),IP31(Power box) |
| Certificate | CE |



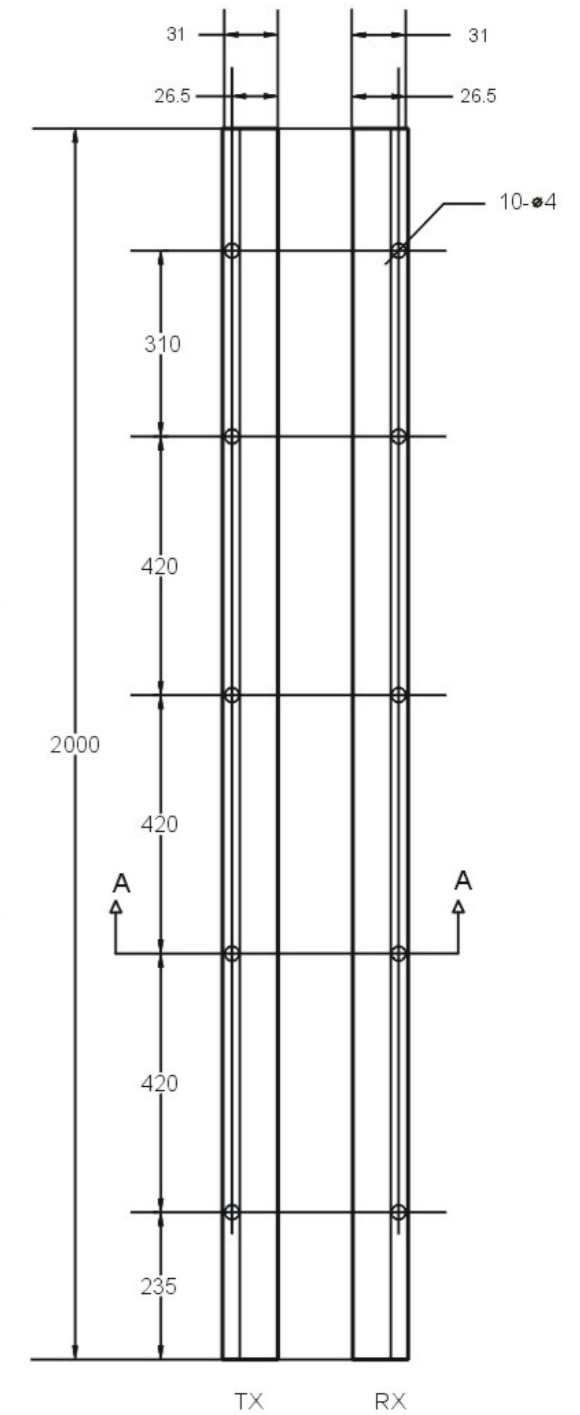
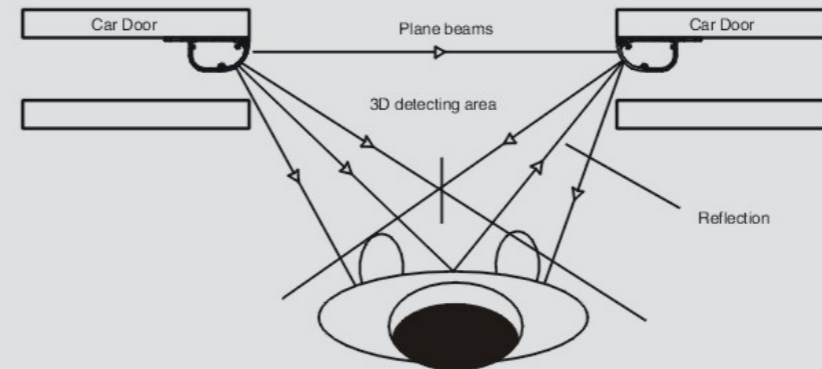
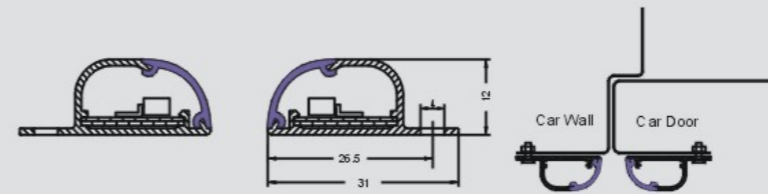
B



Technical date:

| | |
|----------------------------------|---|
| Number of beams(Max.) | 128 |
| Operating environment | -20°C+65°C |
| Light Immunity | 100000Lux |
| Vertical tolerance | +/- 10mm,7° |
| Horizontal tolerance | +/- 3mm,5° |
| Dimensions | H2000mm*W38mm*D10mm |
| Detecting height | 20mm-1841mm |
| Detecting range | 0-3m |
| Response time | 57.5ms |
| Quality warranty | 12months after shipping |
| Power consumption | ≤4W or 100Ma @ DC24V |
| Signal output | Relay output (AC220V,AC110V,DC24V) |
| LED power Indicator in receiver | Green LED when it is detecting |
| LED status Indicator in receiver | Red LED when it is detecting |
| Number of diodes | 32pairs |
| Infra red diodes range | 58.8mm |
| Redundancy | One transmitter shielded after 120s detected absent |
| EMC | EN12015,EN12016 |
| Protection level | IP54(TX,RX),IP31(Power box) |
| Certificate | CE |

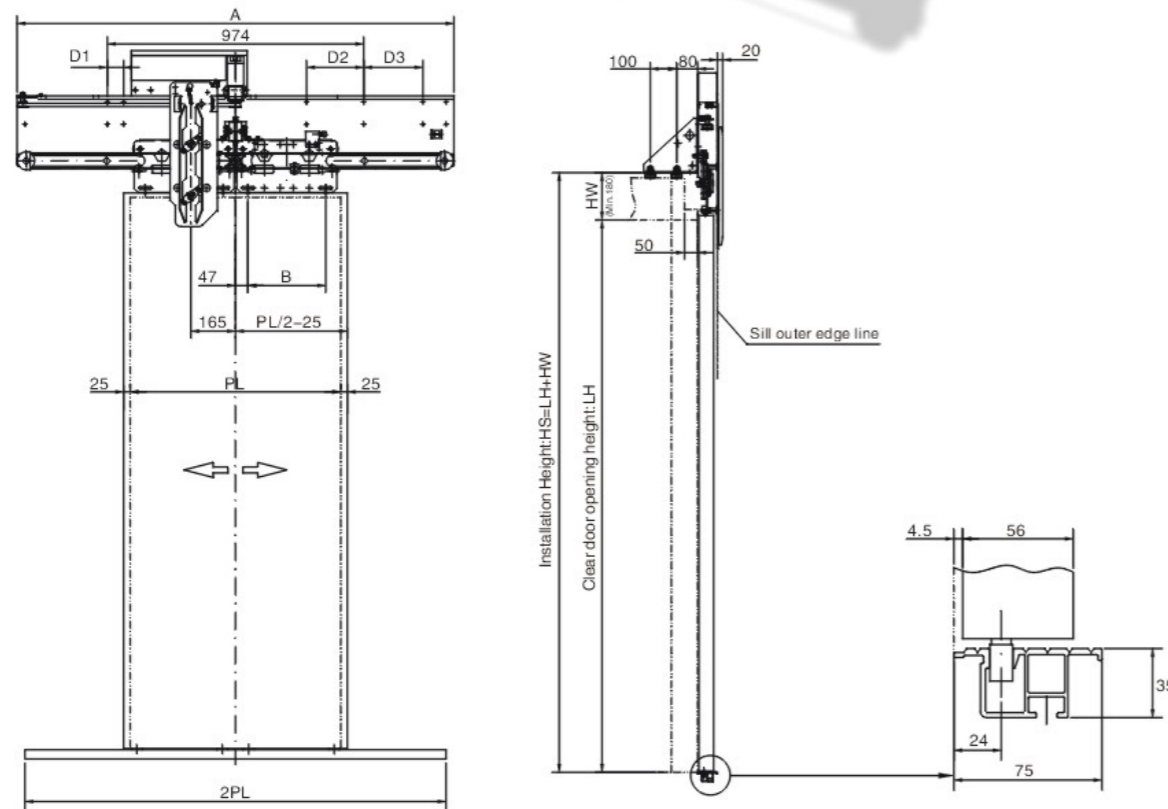
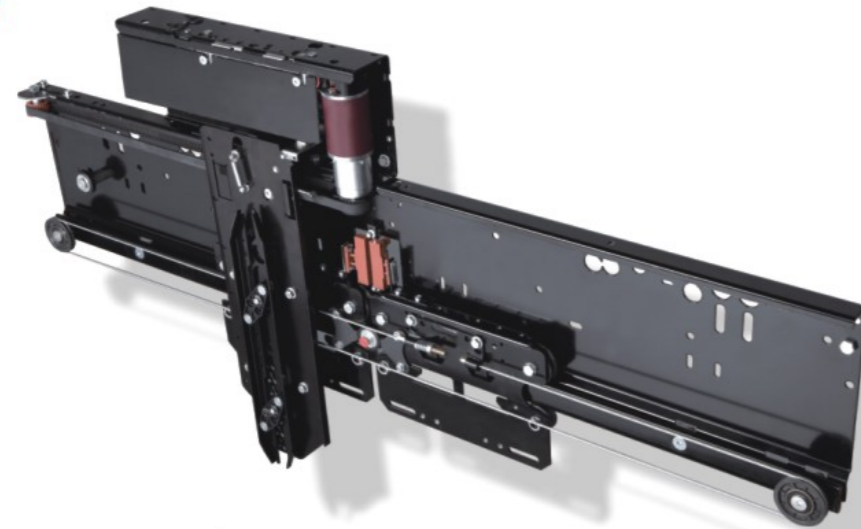
NEW 3D



Integrated 3D model, applied to high level elevator

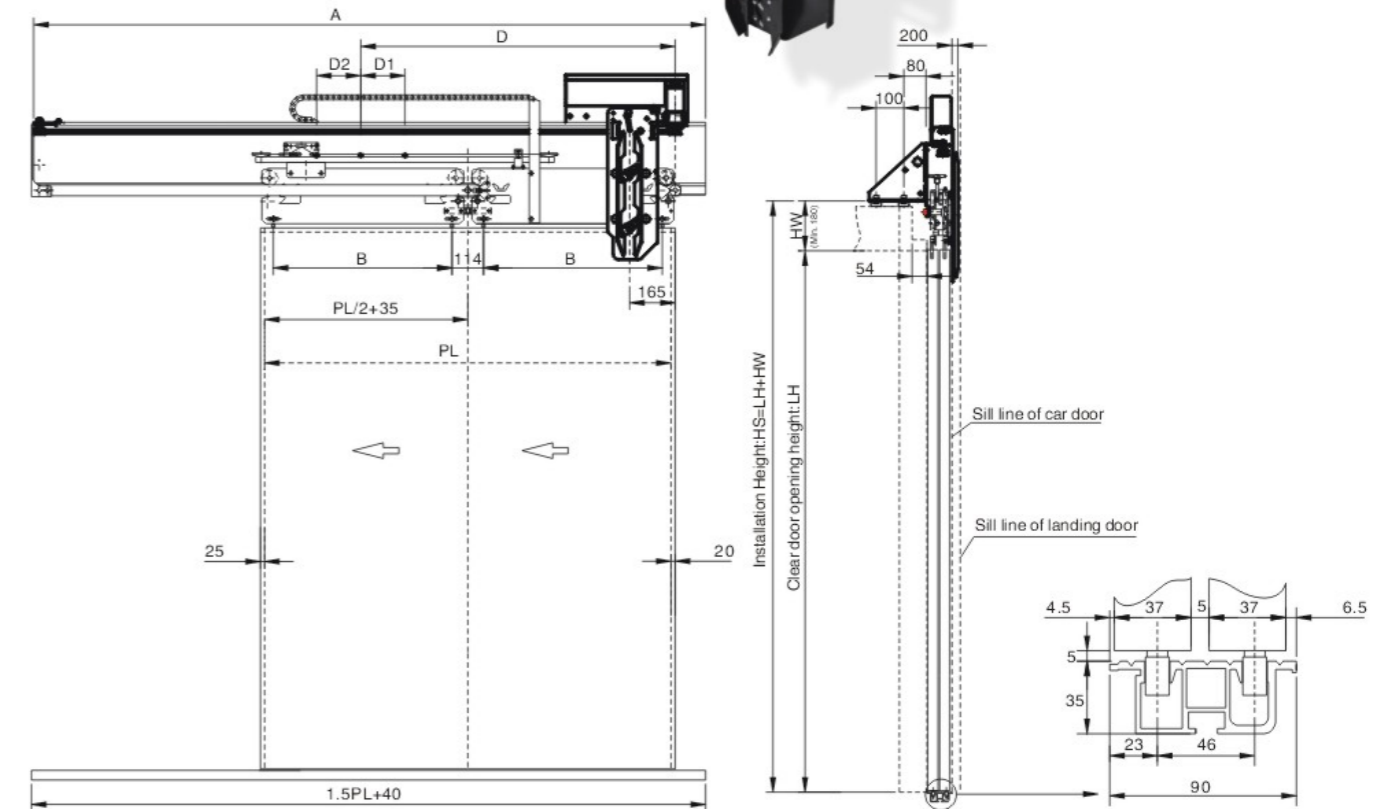
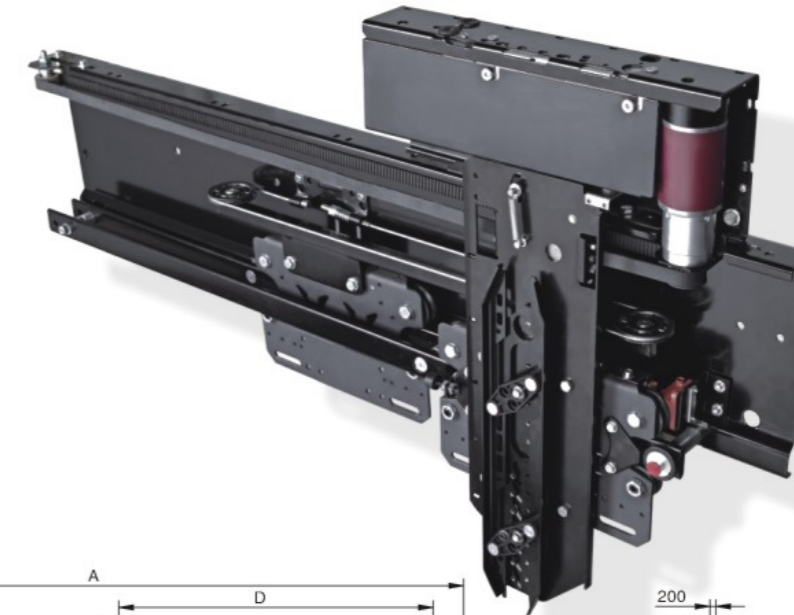
- > 3D protection, detected to the stereoscopic area
- > Easy installation, the same as common light curtain

DCI02C

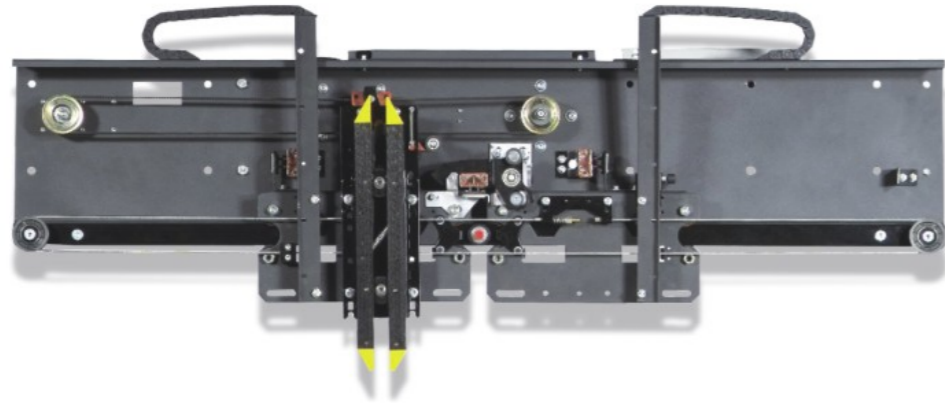


| | | | | | | | | | | | | |
|-----------|---|------|------|------|-------|------|------|------|------|------|------|-------|
| PL | ● | 600 | 650 | 700 | 750 | 800 | 850 | 900 | 950 | 1000 | 1050 | 1100 |
| D1 | ● | | | | 62 | | | | | | | |
| D2 | ● | | | | 217 | | | | | | | |
| D3 | ● | | | | | | | | | | | 225 |
| A | ● | 1290 | 1340 | 1390 | 1560 | 1660 | 1710 | 1890 | 1940 | 1990 | 2190 | 2240 |
| B | ● | | 217 | | 271 | 296 | | | 361 | | | 436 |

DCI12L-R



| | | | | | | | | | | | | |
|-----------|---|------|------|------|-------|------|------|------|------|------|------|-------|
| PL | ● | 600 | 650 | 700 | 750 | 800 | 850 | 900 | 950 | 1000 | 1050 | 1100 |
| D | ● | | | | 912 | | | | | | | 1137 |
| D1 | ● | | | | 217 | | | | | | | |
| D2 | ● | | | | | | | | | | | 225 |
| A | ● | 1095 | 1145 | 1190 | 1305 | 1380 | 1430 | 1540 | 1595 | 1645 | 1770 | 1820 |
| B | ● | | 211 | | 271 | 296 | | | 361 | | | 436 |



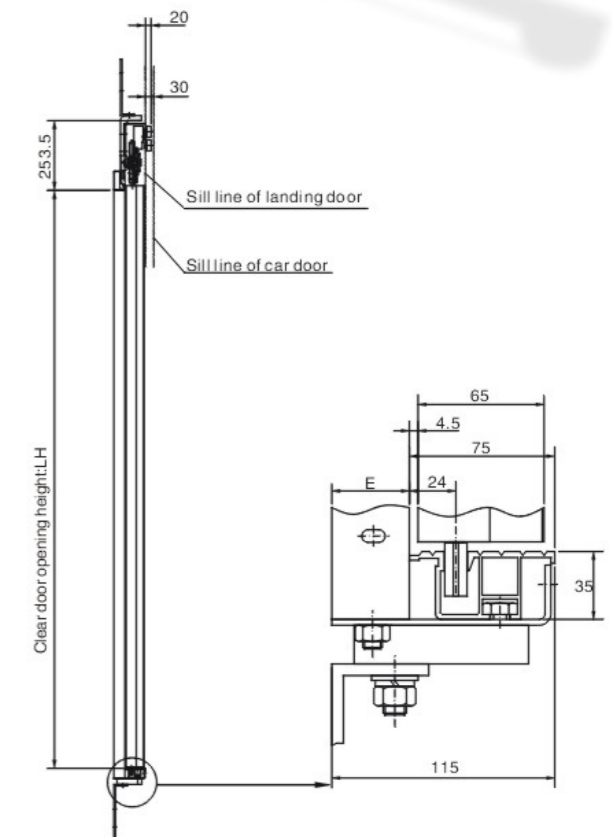
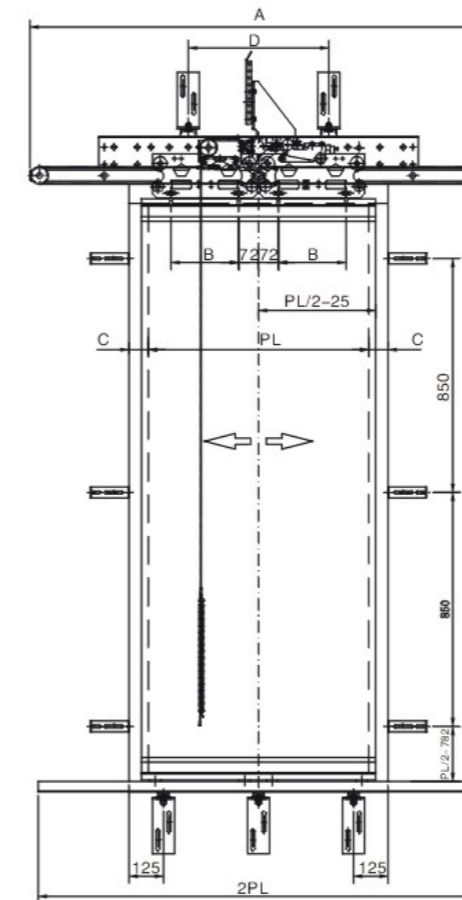
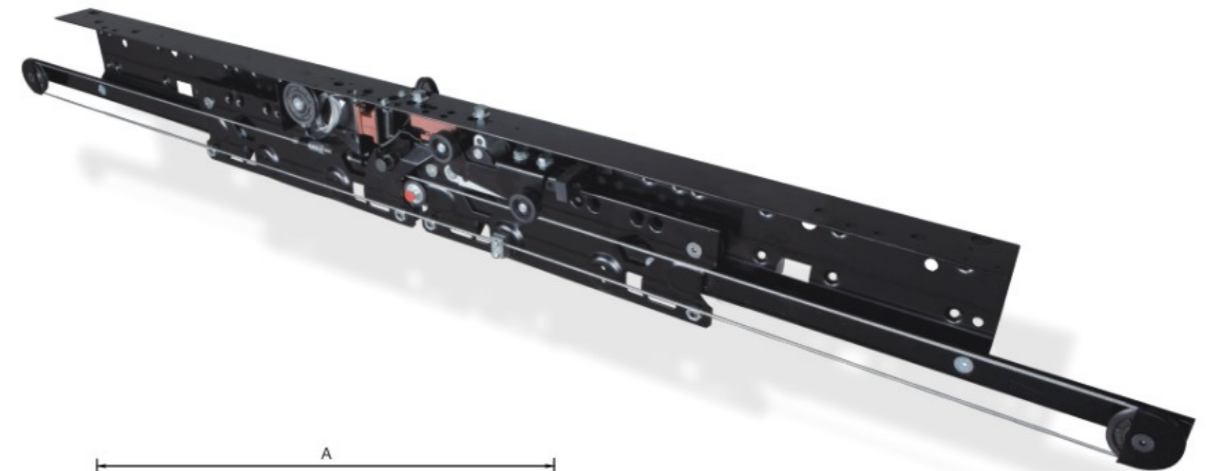
Two-panel centre opening car door VVVF102C



Two-panel side opening car door VVVF112L-R

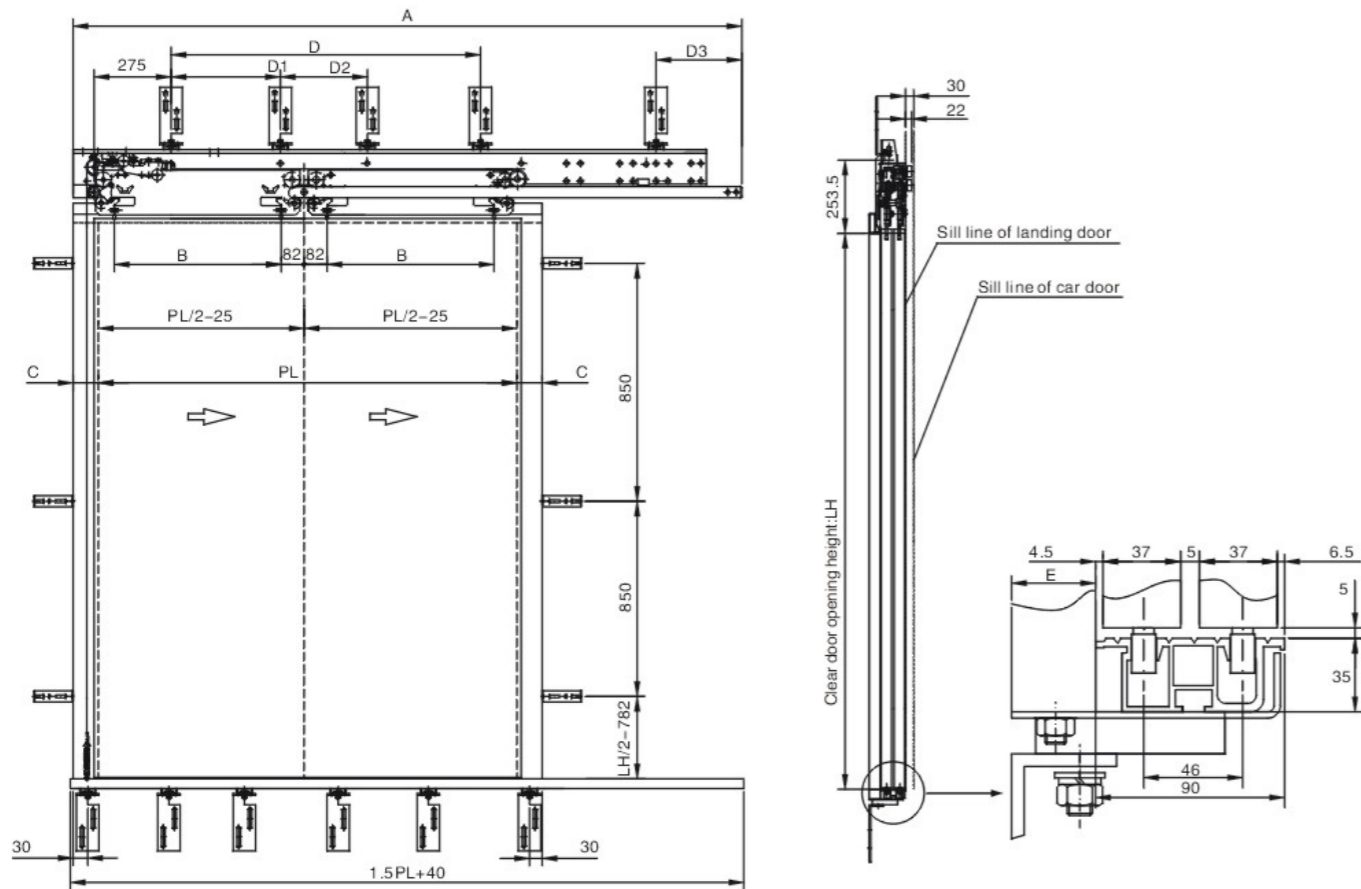
1. In fulfillment with GB7588-2003,En81
2. VVVF door operators controlled by specialized door inverter
3. Door opening way: center opening and side opening
4. Door opening width: 600-1200 mm
5. We can supply the door panels and sill along with the door operator. A full set door will help save energy and time.
6. Very fluent sliding and can keep work for long time
7. It utilizes the synchronous belt drive, low noise
8. Secure both people and the cars
9. An optimized curve is automatically generated according to the setting of door speed and acceleration system
10. Simple structure, convenient installation and adjustment and low running noise

01C

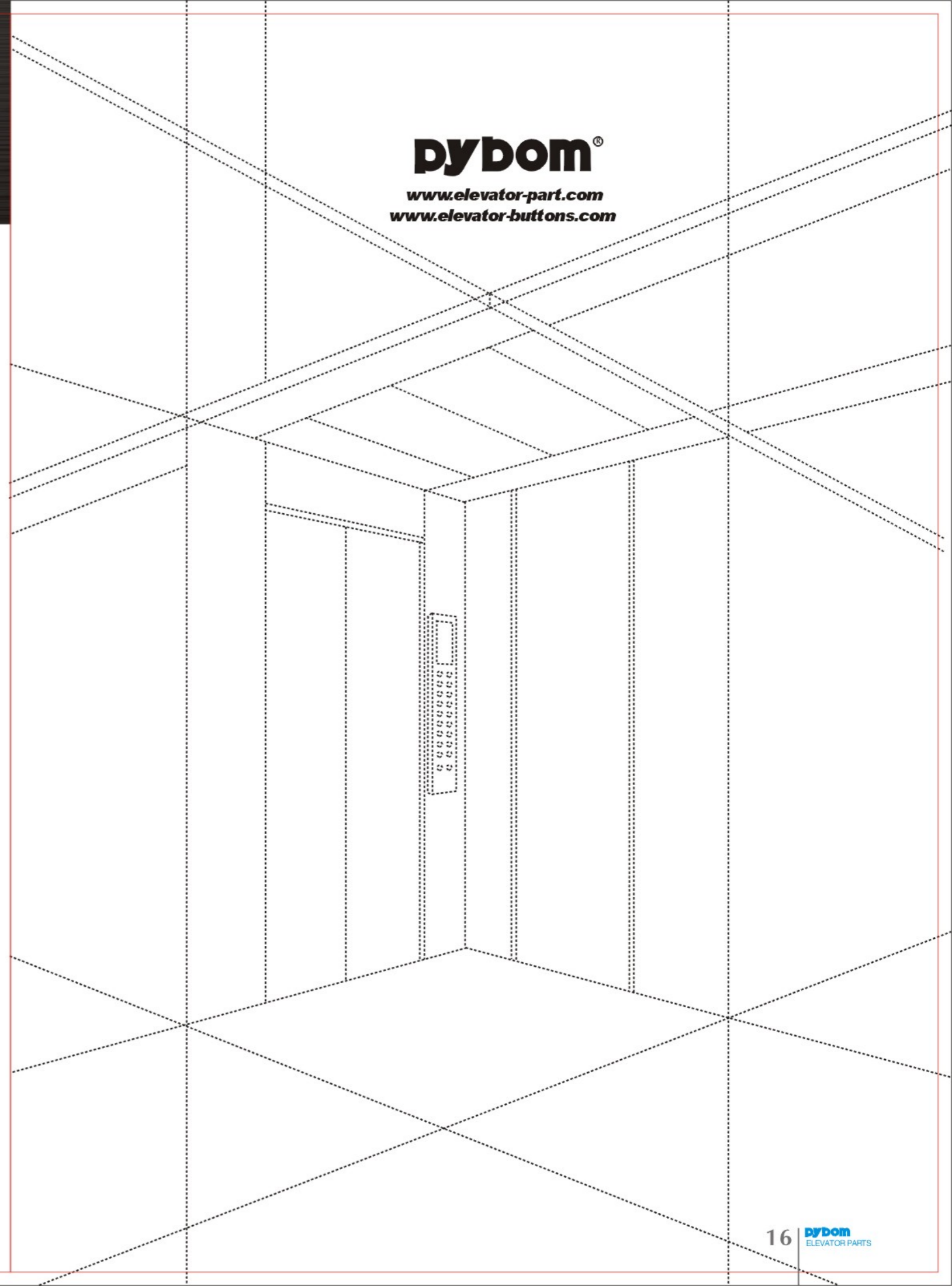


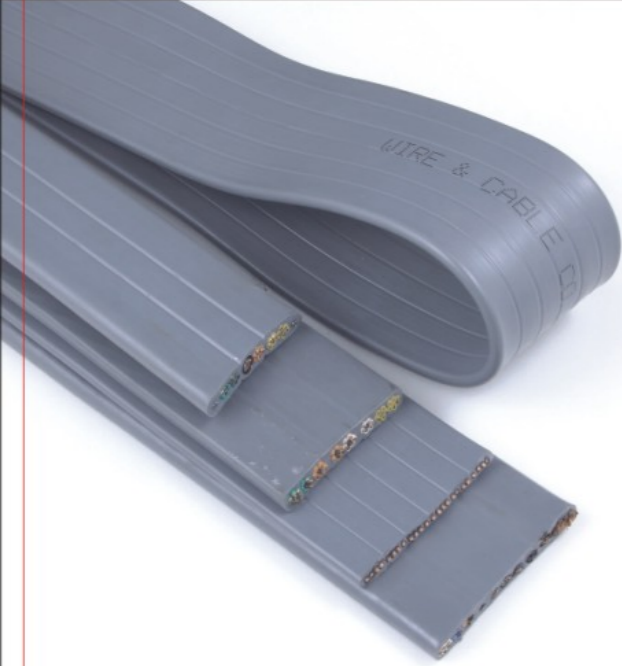
| | | | | | | | | | | | | |
|-----------|---|------|------|------|------|------|------|------|------|------|------|------|
| PL | ● | 600 | 650 | 700 | 750 | 800 | 850 | 900 | 950 | 1000 | 1050 | 1100 |
| A | ● | 1290 | 1340 | 1390 | 1560 | 1660 | 1710 | 1890 | 1940 | 1990 | 2190 | 2240 |
| B | ● | | 161 | | 221 | 246 | | 311 | | | 386 | |
| D | ● | | | | | 510 | | | 680 | | | 885 |

11L-R



| | | | | | | | | | | | | |
|-----------|---|------|-------|------|-------|------|------|------|------|------|------|------|
| PL | ● | 600 | 650 | 700 | 750 | 800 | 850 | 900 | 950 | 1000 | 1050 | 1100 |
| A | ● | 1060 | 1110 | 1160 | 1270 | 1345 | 1395 | 1510 | 1560 | 1610 | 1735 | 1785 |
| B | ● | | 161 | | 221 | 246 | | | 311 | | 386 | |
| D | ● | 300 | 350 | 400 | 450 | 500 | 550 | 600 | 650 | 700 | 750 | 800 |
| D1 | ● | | | | | | | | 325 | 350 | 350 | 400 |
| D3 | ● | | | 140 | | 325 | | 180 | | 275 | | 180 |





Standards:

GB5023.6, IEC60227-6, EN50214

Technical data:

Rated voltage: 300/500V

Test voltage: 2500V

Minimum bending radius: 0.3m=L=0.6M

Burning vertically test: GB/T1 8380.1-2001, IEC60332-1:1993 test passed

Used under the normal conditions. the temperature of conductor is lower than 70

Temperature range:-15 to +70

| Part-No. | Type | No of cores | Specification | Width(MM) | Thickness (MM) | Density Kg/Km | Shape | |
|------------|-------|-------------|---------------|-----------|----------------|---------------|-------|----------|
| EKM 800 00 | 54 02 | TVVB | 2 | 0.75 | 8.0 | 4.6 | 69 | Parallel |
| EKM 800 00 | 54 03 | TVVB | 3 | 0.75 | 10.4 | 4.6 | 91 | Parallel |
| EKM 800 00 | 54 04 | TVVB | 4 | 0.75 | 13.7 | 4.6 | 119 | Parallel |
| EKM 800 00 | 54 05 | TVVB | 5 | 0.75 | 17.1 | 4.6 | 146 | Parallel |
| EKM 800 00 | 54 06 | TVVB | 6 | 0.75 | 19.4 | 4.6 | 168 | Parallel |
| EKM 800 00 | 54 07 | TVVB | 7 | 0.75 | 21.8 | 4.6 | 190 | Parallel |
| EKM 800 00 | 54 08 | TVVB | 8 | 0.75 | 24.1 | 4.6 | 212 | Parallel |
| EKM 800 00 | 54 09 | TVVB | 9 | 0.75 | 26.5 | 4.6 | 233 | Parallel |
| EKM 800 00 | 54 10 | TVVB | 10 | 0.75 | 28.8 | 4.6 | 255 | Parallel |
| EKM 800 00 | 54 11 | TVVB | 11 | 0.75 | 31.2 | 4.6 | 277 | Parallel |
| EKM 800 00 | 54 12 | TVVB | 12 | 0.75 | 33.5 | 4.6 | 299 | Parallel |
| EKM 800 00 | 54 13 | TVVB | 13 | 0.75 | 35.9 | 4.6 | 320 | Parallel |
| EKM 800 00 | 54 14 | TVVB | 14 | 0.75 | 39.2 | 4.6 | 348 | Parallel |
| EKM 800 00 | 54 15 | TVVB | 15 | 0.75 | 41.6 | 4.6 | 370 | Parallel |
| EKM 800 00 | 54 16 | TVVB | 16 | 0.75 | 43.9 | 4.6 | 392 | Parallel |
| EKM 800 00 | 54 17 | TVVB | 17 | 0.75 | 46.3 | 4.6 | 413 | Parallel |
| EKM 800 00 | 54 18 | TVVB | 18 | 0.75 | 49.6 | 4.6 | 441 | Parallel |
| EKM 800 00 | 54 19 | TVVB | 19 | 0.75 | 52.0 | 4.6 | 463 | Parallel |
| EKM 800 00 | 54 20 | TVVB | 20 | 0.75 | 54.3 | 4.6 | 485 | Parallel |
| EKM 800 00 | 54 21 | TVVB | 21 | 0.75 | 56.7 | 4.6 | 506 | Parallel |
| EKM 800 00 | 54 22 | TVVB | 22 | 0.75 | 59.0 | 4.6 | 528 | Parallel |
| EKM 800 00 | 54 23 | TVVB | 23 | 0.75 | 61.4 | 4.6 | 550 | Parallel |
| EKM 800 00 | 54 24 | TVVB | 24 | 0.75 | 64.7 | 4.6 | 578 | Parallel |
| EKM 800 00 | 54 30 | TVVB | 30 | 0.75 | 40.7 | 8.3 | 627 | Twist |
| EKM 800 00 | 54 36 | TVVB | 36 | 0.75 | 44.4 | 9.0 | 743 | Twist |
| EKM 800 00 | 54 40 | TVVB | 40 | 0.75 | 51.8 | 8.3 | 805 | Twist |
| EKM 800 00 | 54 42 | TVVB | 42 | 0.75 | 50.6 | 9.0 | 850 | Twist |
| EKM 800 00 | 54 48 | TVVB | 48 | 0.75 | 56.7 | 9.0 | 957 | Twist |
| EKM 800 00 | 54 54 | TVVB | 54 | 0.75 | 62.9 | 9.0 | 1065 | Twist |
| EKM 800 00 | 54 60 | TVVB | 60 | 0.75 | 69.0 | 9.0 | 1172 | Twist |
| EKM 800 00 | 54 66 | TVVB | 66 | 0.75 | 75.2 | 9.0 | 1279 | Twist |

| Part-No. | Type | No of cores | Specification | Width(MM) | Thickness (MM) | Density Kg/Km | Shape | |
|------------|-------|-------------|---------------|-----------|----------------|---------------|-------|----------|
| EKM 801 00 | 54 02 | TVVBG | 2 | 0.75 | 13.5 | 4.6 | 112 | Parallel |
| EKM 801 00 | 54 03 | TVVBG | 3 | 0.75 | 15.9 | 4.6 | 132 | Parallel |
| EKM 801 00 | 54 04 | TVVBG | 4 | 0.75 | 19.2 | 4.6 | 158 | Parallel |
| EKM 801 00 | 54 05 | TVVBG | 5 | 0.75 | 22.6 | 4.6 | 184 | Parallel |
| EKM 801 00 | 54 06 | TVVBG | 6 | 0.75 | 23.9 | 4.6 | 198 | Parallel |
| EKM 801 00 | 54 07 | TVVBG | 7 | 0.75 | 27.3 | 4.6 | 224 | Parallel |
| EKM 801 00 | 54 08 | TVVBG | 8 | 0.75 | 29.6 | 4.6 | 244 | Parallel |
| EKM 801 00 | 54 09 | TVVBG | 9 | 0.75 | 32.0 | 4.6 | 264 | Parallel |
| EKM 801 00 | 54 10 | TVVBG | 10 | 0.75 | 34.3 | 4.6 | 284 | Parallel |
| EKM 801 00 | 54 11 | TVVBG | 11 | 0.75 | 36.7 | 4.6 | 304 | Parallel |
| EKM 801 00 | 54 12 | TVVBG | 12 | 0.75 | 39.0 | 4.6 | 324 | Parallel |
| EKM 801 00 | 54 13 | TVVBG | 13 | 0.75 | 42.0 | 4.6 | 353 | Parallel |
| EKM 801 00 | 54 14 | TVVBG | 14 | 0.75 | 45.4 | 4.6 | 378 | Parallel |
| EKM 801 00 | 54 15 | TVVBG | 15 | 0.75 | 47.7 | 4.6 | 398 | Parallel |
| EKM 801 00 | 54 16 | TVVBG | 16 | 0.75 | 50.1 | 4.6 | 418 | Parallel |
| EKM 801 00 | 54 17 | TVVBG | 17 | 0.75 | 52.4 | 4.6 | 438 | Parallel |
| EKM 801 00 | 54 18 | TVVBG | 18 | 0.75 | 55.8 | 4.6 | 464 | Parallel |
| EKM 801 00 | 54 19 | TVVBG | 19 | 0.75 | 58.1 | 4.6 | 484 | Parallel |
| EKM 801 00 | 54 20 | TVVBG | 20 | 0.75 | 60.5 | 4.6 | 504 | Parallel |
| EKM 801 00 | 54 21 | TVVBG | 21 | 0.75 | 62.8 | 4.6 | 524 | Parallel |
| EKM 801 00 | 54 22 | TVVBG | 22 | 0.75 | 65.2 | 4.6 | 544 | Parallel |
| EKM 801 00 | 54 23 | TVVBG | 23 | 0.75 | 67.5 | 4.6 | 564 | Parallel |
| EKM 801 00 | 54 24 | TVVBG | 24 | 0.75 | 70.9 | 4.6 | 591 | Parallel |
| EKM 801 00 | 54 30 | TVVBG | 30 | 0.75 | 48.9 | 8.3 | 756 | Twist |
| EKM 801 00 | 54 36 | TVVBG | 36 | 0.75 | 52.6 | 9.0 | 878 | Twist |
| EKM 801 00 | 54 40 | TVVBG | 40 | 0.75 | 60.0 | 8.3 | 994 | Twist |
| EKM 801 00 | 54 42 | TVVBG | 42 | 0.75 | 59.8 | 9.0 | 1018 | Twist |
| EKM 801 00 | 54 48 | TVVBG | 48 | 0.75 | 65.9 | 9.0 | 1125 | Twist |
| EKM 801 00 | 54 54 | TVVBG | 54 | 0.75 | 72.1 | 9.0 | 1233 | Twist |
| EKM 801 00 | 54 60 | TVVBG | 60 | 0.75 | 78.2 | 9.0 | 1340 | Twist |
| EKM 801 00 | 54 66 | TVVBG | 66 | 0.75 | 84.4 | 9.0 | 1447 | Twist |

| Part-No. | Type | Specification | Width(MM) | Thickness (MM) | Density Kg/Km | Shape | |
|------------|-------|---------------|-------------------|----------------|---------------|-------|-------|
| EKM 804 00 | 54 24 | TVVBP | 24*0.75+2*2P*0.75 | 44.3 | 9.0 | 879 | Twist |
| EKM 804 00 | 54 30 | TVVBP | 30*0.75+2*2P*0.75 | 53.1 | 8.3 | 990 | Twist |
| EKM 804 00 | 54 36 | TVVBP | 36*0.75+2*2P*0.75 | 56.8 | 9.0 | 1116 | Twist |
| EKM 804 00 | 54 40 | TVVBP | 40*0.75+2*2P*0.75 | 64.2 | 8.3 | 1169 | Twist |
| EKM 804 00 | 54 42 | TVVBP | 42*0.75+2*2P*0.75 | 63.0 | 9.0 | 1224 | Twist |
| EKM 804 00 | 54 48 | TVVBP | 48*0.75+2*2P*0.75 | 69.1 | 9.0 | 1331 | Twist |
| EKM 804 00 | 54 54 | TVVBP | 54*0.75+2*2P*0.75 | 75.3 | 9.0 | 1438 | Twist |
| EKM 804 00 | 54 60 | TVVBP | 60*0.75+2*2P*0.75 | 81.4 | 9.0 | 1546 | Twist |
| EKM 804 00 | 54 66 | TVVBP | 66*0.75+2*2P*0.75 | 87.6 | 9.0 | 1653 | Twist |
| EKM 805 00 | 54 24 | TVVBPG | 24*0.75+2*2P*0.75 | 53.3 | 9.0 | 1024 | Twist |
| EKM 805 00 | 54 30 | TVVBPG | 30*0.75+2*2P*0.75 | 61.3 | 8.3 | 1119 | Twist |
| EKM 805 00 | 54 36 | TVVBPG | 36*0.75+2*2P*0.75 | 65.0 | 9.0 | 1252 | Twist |
| EKM 805 00 | 54 40 | TVVBPG | 40*0.75+2*2P*0.75 | 72.4 | 8.3 | 1298 | Twist |
| EKM 805 00 | 54 42 | TVVBPG | 42*0.75+2*2P*0.75 | 72.2 | 9.0 | 1392 | Twist |
| EKM 805 00 | 54 48 | TVVBPG | 48*0.75+2*2P*0.75 | 78.3 | 9.0 | 1499 | Twist |
| EKM 805 00 | 54 54 | TVVBPG | 54*0.75+2*2P*0.75 | 84.5 | 9.0 | 1606 | Twist |
| EKM 805 00 | 54 60 | TVVBPG | 60*0.75+2*2P*0.75 | 90.6 | 9.0 | 1714 | Twist |
| EKM 805 00 | 54 66 | TVVBPG | 66*0.75+2*2P*0.75 | 96.8 | 9.0 | 1821 | Twist |





HM-982



HM-2005-1



HM-E-2012-71



HM-637



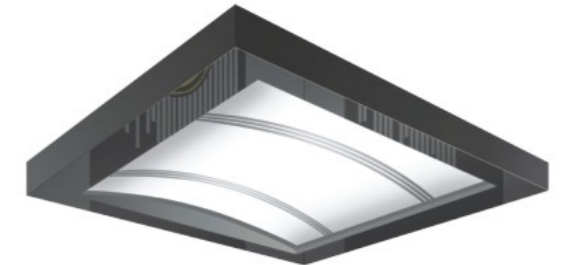
HM-661



HM-662



HM-408



HM-455



HM-456



HM-485



HM-502A



HM-525



HM-539A

OX-240 Unidirectional room

| | |
|----------------------------|-------------|
| Rated speed | ≤2.5m/s |
| Wire rope diameter (mm) | Φ6,Φ6.3, Φ8 |
| Sheave diameter (mm) | Φ240 |
| Tension force (n) | ≥1000N |
| Super switch voltage grade | AC220V |



OX-240A Unidirectional MRL

| | |
|-----------------------------|--------------|
| Rated speed | ≤1.75m/s |
| Wire rope diameter (mm) | Φ6,Φ6.3, Φ8 |
| Sheave diameter (mm) | Φ240 |
| Tension force | ≥1000N |
| Super switch voltage grade | AC220V/DC24V |
| Switch voltage grade | AC220V/DC24V |
| Action magnet voltage grade | AC220V/DC24V |



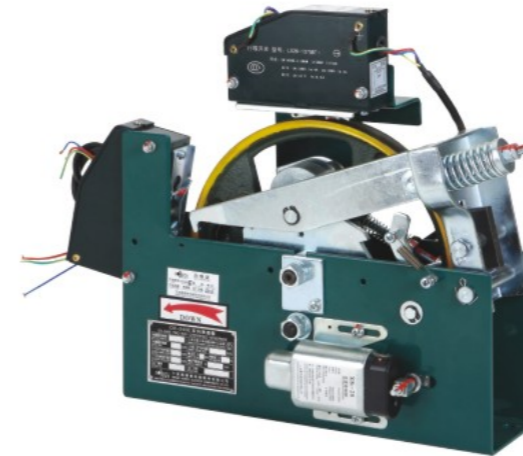
OX-240B Bidirectional room

| | |
|----------------------------|-------------|
| Rated speed | ≤2.5m/s |
| Wire rope diameter (mm) | Φ6,Φ6.3, Φ8 |
| Sheave diameter (mm) | Φ240 |
| Tension force (n) | ≥1000N |
| Super switch voltage grade | AC220V |



OX-240E Bidirectional MRL

| | |
|-----------------------------|--------------|
| Rated speed | ≤0.63m/s |
| Wire rope diameter (mm) | Φ6,Φ6.3, Φ8 |
| Sheave diameter (mm) | Φ240 |
| Tension force | ≥1000N |
| Super switch voltage grade | AC220V/DC24V |
| Switch voltage grade | AC220V/DC24V |
| Action magnet voltage grade | AC220V/DC24V |



OX-240F Bidirectional room

| | |
|----------------------------|-------------|
| Rated speed | ≤2.5m/s |
| Wire rope diameter (mm) | Φ6,Φ6.3, Φ8 |
| Sheave diameter (mm) | Φ240 |
| Tension force (n) | ≥1000N |
| Super switch voltage grade | AC220V |



OX-186 Bidirectional MRL

| | |
|-----------------------------|--------------|
| Rated speed | ≤0.63m/s |
| Wire rope diameter (mm) | Φ6 |
| Sheave diameter (mm) | Φ200 |
| Tension force | ≥500N |
| Super switch voltage grade | AC220V/DC24V |
| Switch voltage grade | AC220V/DC24V |
| Action magnet voltage grade | AC220V/DC24V |





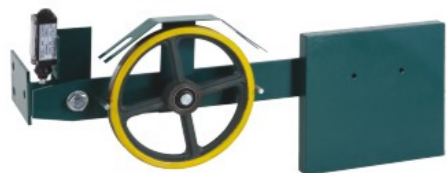
OX-187 Bidirectional MRL

| Super switch voltage grade | | AC220V/DC24V | | |
|-----------------------------|----------------------|-------------------------|-------------|---------------|
| Switch voltage grade | | AC220V/DC24V | | |
| Action magnet voltage grade | | AC220V/DC24V | | |
| G | Sheave diameter (mm) | Wire rope diameter (mm) | Rated speed | Tension force |
| G01 | Φ200 | Φ6, Φ6.3 | V≤1.0 m/s | ≥500N |
| G02 | Φ240 | Φ6, Φ6.3, Φ8 | V≤1.75m/s | ≥500N |



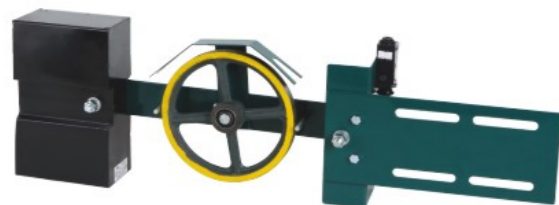
OX-208 Unidirectional MRL

| | |
|----------------------------|----------|
| Rated speed | ≤1.75m/s |
| Wire rope diameter (mm) | Φ6 |
| Sheave diameter (mm) | Φ200 |
| Tension force (n) | ≥500N |
| Super switch voltage grade | AC220V |



OX-100 Tension Device

| | | |
|---------------------------------|----------------|-------------------------|
| Balance weight | Lifting height | Wire rope diameter (mm) |
| 10kgs | H≤50m | Φ6 |
| Inspection switch voltage grade | | DC110V or AC220V |

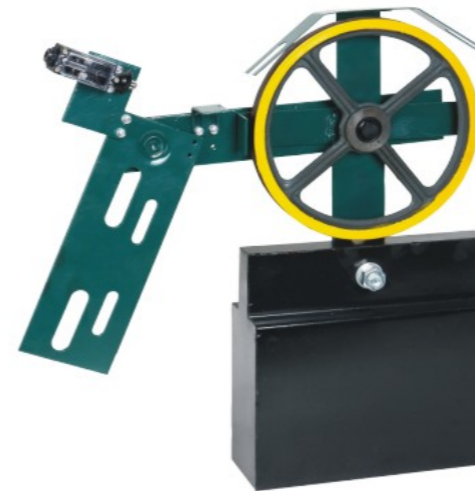
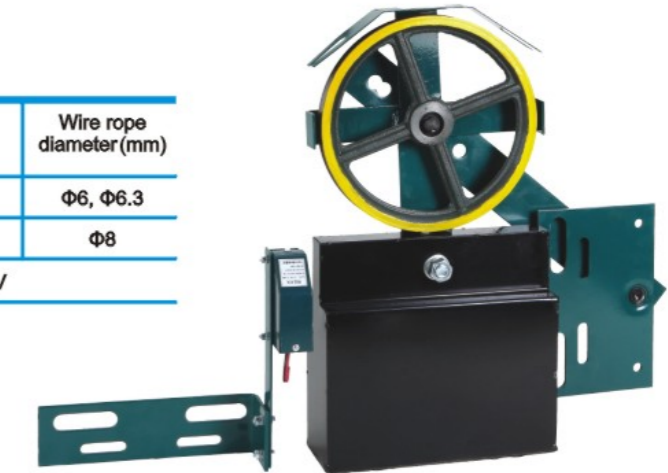


OX-200 Tension Device

| G | Pitch diameter (mm) | Balance weight | Lifting height | Wire rope diameter (mm) |
|---------------------------------|---------------------|----------------|----------------|-------------------------|
| G01 | Φ200 | 12kgs | H≤50m | Φ6, Φ6.3 |
| G02 | Φ200 | 16kgs | 50m<H<100m | Φ6, Φ6.3 |
| G03 | Φ240 | 12kgs | H≤50m | Φ6, Φ6.3, Φ8 |
| G04 | Φ240 | 16kgs | 50m<H<100m | Φ8 |
| Inspection switch voltage grade | | | DC110V/AC220V | |

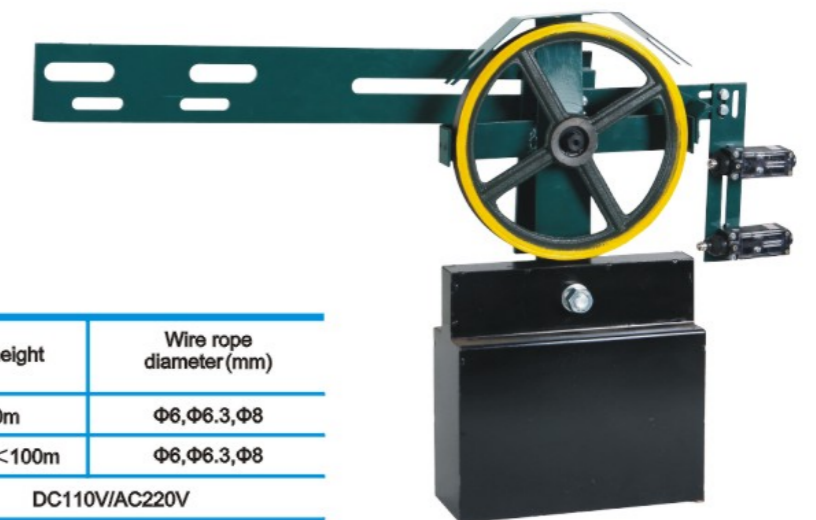
OX-300 Tension Device

| G | Balance weight | Lifting height | Wire rope diameter (mm) |
|---------------------------------|----------------|----------------|-------------------------|
| G01 | 18kgs | H≤50m | Φ6, Φ6.3 |
| G02 | 30kgs | 50m<H<100m | Φ8 |
| Inspection switch voltage grade | | DC110V/AC220V | |



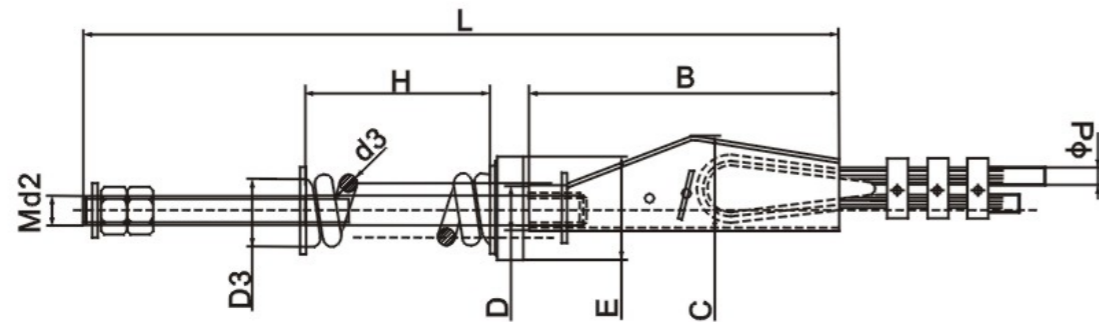
OX-300A Tension Device

| G | Balance weight | Lifting height | Wire rope diameter (mm) |
|---------------------------------|----------------|----------------|-------------------------|
| G01 | 18kgs | H≤50m | Φ6, Φ6.3, Φ8 |
| G02 | 30kgs | 50m<H<100m | Φ6, Φ6.3, Φ8 |
| Inspection switch voltage grade | | DC110V/AC220V | |



OX-300B Tension Device

| G | Balance weight | Lifting height | Wire rope diameter (mm) |
|---------------------------------|----------------|----------------|-------------------------|
| G01 | 18kgs | H≤50m | Φ6, Φ6.3, Φ8 |
| G02 | 30kgs | 50m<H<100m | Φ6, Φ6.3, Φ8 |
| Inspection switch voltage grade | | DC110V/AC220V | |



SPRING ROPE FASTENING

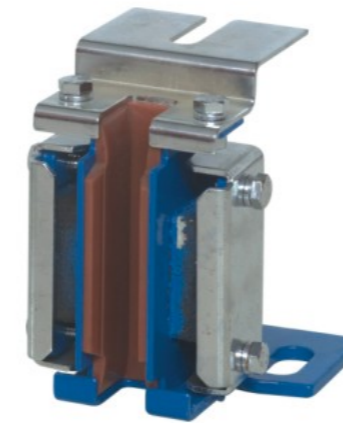
| Model Number | (mm) Specification Of Wire Rope | L(mm) Length | B(mm) Length Of Taper Bushes | C(mm) Width Of Taper Bushes | D(mm) Installation | Md2(mm) Screw nut |
|--------------|---------------------------------|--------------|------------------------------|-----------------------------|--------------------|-------------------|
| QSD8W | Φ8 | 375 | 160 | 48 | Φ26 | M14 |
| QSD9.3W | Φ9.3 | 395 | 180 | 54 | Φ26 | M14 |
| QSD10W | Φ10 | 490 | 180 | 54 | Φ26 | M16 |
| QSD11W | Φ11 | 490 | 180 | 54 | Φ26 | M16 |
| QSD12W | Φ12 | 510 | 200 | 60 | Φ26 | M16 |
| QSD13W | Φ13 | 580 | 218 | 62 | Φ30 | M18 |
| QSD16W | Φ16 | 620 | 190 | 76 | Φ22 | M20 |

RUBBER ROPE FASTENING

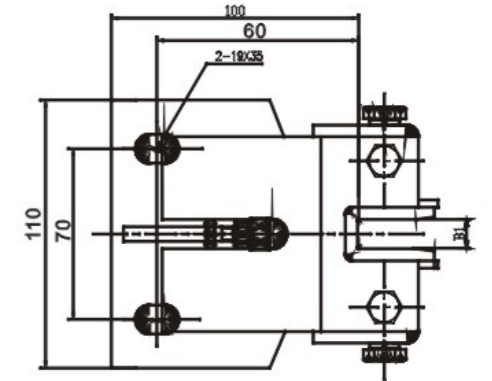
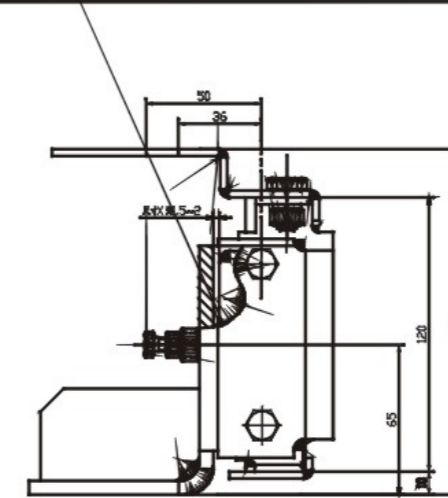
| Model Number | (mm) Specification Of Wire Rope | L(mm) Length | B(mm) Length Of Taper Bushes | C(mm) Width Of Taper Bushes | D(mm) Installation | Md2(mm) Screw nut |
|--------------|---------------------------------|--------------|------------------------------|-----------------------------|--------------------|-------------------|
| QSD8X | Φ8 | 372 | 160 | 48 | Φ22 | M14 |
| QSD10X | Φ10 | 495 | 180 | 55 | Φ30 | M16 |
| QSD13X | Φ13 | 578 | 218 | 62 | Φ40 | M20 |

FLEXIBLE ROPE FASTENING

| Model Number | (mm) Specification Of Wire Rope | L(mm) Length | B(mm) Length Of Taper Bushes | C(mm) Width Of Taper Bushes | D(mm) Installation | Md2(mm) Screw nut |
|--------------|---------------------------------|--------------|------------------------------|-----------------------------|--------------------|-------------------|
| HD8W | Φ6-8 | 435 | 150 | 45 | Φ26 | M14 |
| HD10W | Φ9-11 | 510 | 180 | 57 | Φ26 | M16 |
| HD13W | Φ12-13 | 595 | 230 | 74 | Φ30 | M20 |



HDX01
Rated speed: ≤2.00m/s
Width of guide rail: 9mm, 10mm, 16mm



HDX18
Rated speed: ≤2.50m/s
Width of guide rail: 10mm, 16mm



KDX01
Rated speed: ≤2.00m/s
Width of guide rail: 10mm, 18mm



KDX02
Rated speed: ≤2.00m/s
Width of guide rail: 18mm



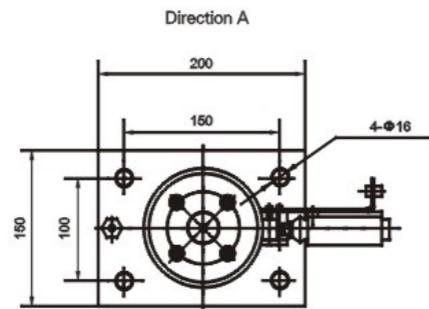
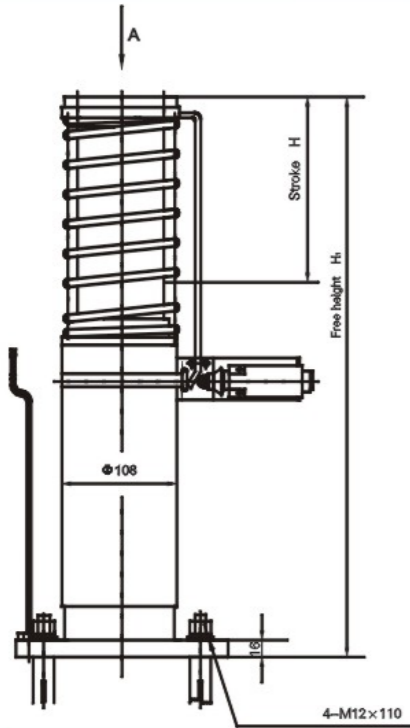
KDX04
Rated speed: ≤1.75m/s
Width of guide rail: 10mm, 18mm



GDX01
Rated speed: ≤3.50m/s
Width of guide rail: 10mm, 16mm



GDX02
Rated speed: ≤3.50m/s
Width of guide rail: 10mm, 16mm



| Model Number | H(mm) Stroke | H1(mm) Free Height | V(m/s) Rated Speed | (P+Q)1 (kg) Allowable Gross Mass |
|--------------|--------------|--------------------|--------------------|----------------------------------|
| YHC175/A | 175 | 580 | ≤1.6 | 900-3000 |
| YHC275/A | 275 | 810 | ≤2.0 | 900-3000 |
| YHC206 | 206 | 673 | ≤1.75 | 900-3000 |



| Model Number | (P+Q) (kg) Max Load | (P+Q) (kg) Min Load | (m/s) Max Striking speed | (mm) Stroke | (mm) Free Height | Oil Model | (L) Oil Volume | (V1) (m/s) Rated speed |
|--------------|---------------------|---------------------|--------------------------|-------------|------------------|-----------|----------------|------------------------|
| YHC80 | 3000 | 700 | 1.15 | 80 | 315 | L-HL-32 | 0.35 | 1.00 |
| YHC175 | 3000 | 700 | 2.01 | 206 | 612 | L-HL-32 | 1.50 | 1.75 |
| YHC275 | 3500 | 700 | 2.30 | 275 | 780 | L-HL-32 | 1.50 | 2.00 |
| YHC425 | 3500 | 700 | 2.88 | 435 | 1128 | L-HL-32 | 2.20 | 2.50 |

| | | | | | | |
|--|--|--|---|--|---|---|
|  1370 |  Door Lock |  Door Switch |  Bistable Switch |  Bistable Switch |  Door lock |  Wheel |
|  Oil Can 100 |  Oil Can 140 |  Oil Can 150 |  Oil Can 110 |  Door Slider H4 |  Door Slider H3 |  Door Slider H8 |
|  Door Slider H55 |  Triangular Key |  Door Lock |  Cable Clamp |  Fire Switch |  Inspection Box 08 |  Inspection Box 04 |
|  Chain |  Switch 23 |  Switch 25 |  9B Fan |  330 Fan |  Clock |  Voice Announcer |
|  Close switch |  Door knife |  Shock Pad |  Door Controller |  Red Display |  LED Indicator |  LCD Display |
|  Semi-Automatic Door |  Safety Gear |  Load Sensor |  Load Weighing Device |  Overload |  Shaft Cable |  Traction Machine |