

Duravit UK Limited
Unit 7, Stratus Park · Brudenell Drive
Brinklow, Milton Keynes · MK10 0DE
Phone +44 845 500 7787
Fax +44 845 500 7786
info@uk.duravit.com
www.duravit.co.uk

Duravit Bathrooms Australia Pty Ltd
U3 19-21 Bourke Road
Alexandria 2015 · Sydney NSW
Phone +61 2 8070 1889
Fax +61 2 8070 1898
info@au.duravit.com
www.duravit.com.au

Leben im Bad
Living bathrooms



badmagazin

Duravit Showrooms: Hornberg and Meißen (Germany), Paris (France), New York (USA), Cairo (Egypt), Bizerte (Tunisia) and Shanghai (China). More Information? www.duravit.com/showrooms

If you have any questions, need help with planning or simply want to find out more about Duravit, please contact your local specialist dealer. You will find a list of dealers who stock Duravit products on our website, however, we're also happy to send you a copy of the list. For any further information please contact us.

UK: Phone +44 845 500 7787, Fax +44 845 500 7786, info@uk.duravit.com, www.duravit.co.uk

Australia: Phone +61 2 8070 1889, Fax +61 2 8070 1898, info@au.duravit.com, www.duravit.com.au

COMPLETE BATHROOM SOLUTIONS,
WASHING AREAS, BATHROOM FURNITURE,
BATHTUBS, SHOWER TRAYS, ACCESSORIES,
WELLNESS PRODUCTS.



Best-Nr. 001273/82.05.12.55.1 - Printed in Germany - We reserve the right to make technical improvements and enhance the appearance of the products shown.



HOW ABOUT
A NEW
BATHROOM?



www.badmagazin.com

Why do people wish each other health and happiness? Perhaps because, despite prosperity, success and other promises, there is nothing more valuable. However, feeling good is essential for health and happiness.

Andrej Trelkovsky

HOW ABOUT
A NEW BATHROOM
FROM DURAVIT?

BADMAGAZIN Edition 1

SANITARY CERAMICS

EVERYTHING FOR THE WASHING AREA & CO: WASHBASINS, HANDRINSE BASINS, TOILETS AND BIDETS

1930 Series	146
2nd floor	36
Architec	110
Bacino	118
Bagnella	117
Bathroom Foster	156
Caro	158
Darling New	132
Esplanade	150
Happy D.	72
Onto	106
PuraVida	24
Scola	116
SensoWash®	232
Starck 1	80
Starck 2	90
Starck 3	98
Vero	58



sensowash®
A pioneering innovation in the world of shower-toilet seats.

BATHROOM FURNITURE

CABINETS, VANITY UNITS, MOBILE STORAGE UNITS, LIGHTING PERFECTLY ADJUSTED FOR THE DURAVIT SERIES

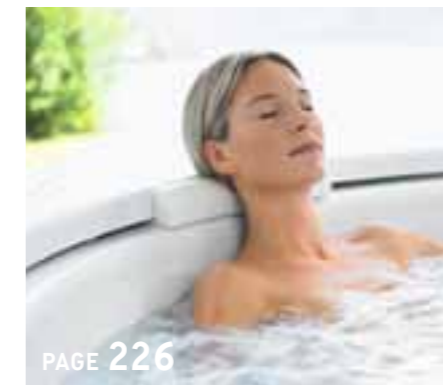
2nd floor	36
Darling New	132
Onto	106
Esplanade	150
Fogo	48
Happy D.	72
Ketho	12
Mirrorwall	68
PuraVida	24
Starck	80
X-Large	120



WELLNESS

POOLS, SAUNAS, LIGHTING SYSTEMS: ALL THAT MAKES LIVING BATHROOMS EVEN MORE COMFORTABLE

Blue Moon Pools	222
Inipi Sauna	252
Nahho	200
OpenSpace	244
St.Trop	248
Sundeck Pools	212
Pool systems	226
Coloured light and whirl technology	190



BATHTUBS + SHOWER TRAYS

FOR ALL ROOM LAYOUTS: BATHTUBS FOR CORNER, BACK-TO-WALL, BUILT-IN AND FREE-STANDING

Free-standing bathtubs	168
Back-to-wall bathtubs	174
Built-in bathtubs	180
Corner baths	184
2x3	185
2nd floor	179, 182
Blue Moon	192, 216
Darling New	179, 193
Daro	182
Esplanade	170, 176
Happy D.	174, 185, 191
Paiova Monolith	178
Paiova	186, 187
PuraVida	173, 177, 183
Starck	171, 172, 179, 181, 194, 195
Sundeck	206
Vero	175, 179
Shower trays	238
Bathtub covers	188



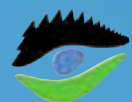
TOPICS

142 GUEST BATHROOM	COMPACT SOLUTIONS AND SOPHISTICATED DESIGNS FOR GUEST BATHROOMS AND WCs
228 LUXURY DREAM BATHROOMS	LUXURY BATHROOMS WITH WELL THOUGHT-OUT FUNCTIONS FOR GREATER QUALITY OF LIFE FROM 50+
160 SETTING THE TONE	BATHROOM RANGES AND DECO IDEAS IN WHITE, NATURAL, ANTHRACITE AND BLACK
260 LIGHT IN THE BATHROOM	PRESENTING THE BATHROOM IN ITS BEST LIGHT
104 CUCINA	CERAMIC KITCHEN SINKS. THE WORK OF HIGH-PROFILE DESIGNERS.

Features	264
Furniture finishes	270
All dimensions	276



LIFE IS AN
ADVENTURE.
OURS
STARTED
IN 1817.



We are a sponsor of the Black Forest Nature Park Central/North.



TRADITION AND THE REGION BEHIND THE DURAVIT BRAND.

The tradition of the Duravit brand. Even a company that has set great precedents with its centuries-old tradition once “started small.”

It all began in Hornberg, Germany in 1817 when Georg Friedrich Horn built an earthenware factory initially focused solely on the manufacture of crockery. In 1956, production evolved from earthenware to porcelain, extending the product range to include sanitary ceramics. This provided a platform for future success and also introduced the sanitary world to a new name: Duravit. Today, Duravit AG operates at an international level and boasts 10 production plants with a workforce of more than 5,000 employees worldwide – an indication of Duravit’s tremendous evolution, which has always been rooted in a “tradition of innovation.” And Duravit continues to demonstrate its eagerness to charter new territory with its innovative technology, extraordinary design and the development of new product segments.

The region behind the Duravit brand. One source of Duravit’s tremendous strength, which it continues to cultivate, is its deep connection to the Black Forest. For Duravit, living in harmony with nature is the most natural thing in the world. This is why Duravit is, for example, a partner and sponsor of the Black Forest natural park, a large nature reserve that is also Germany’s largest

“Hand made” quality assurance. Even though we’re living in an age of high-tech and automation, when it comes to products with such a high claim to design and function, quality is often still down to human skill. Duravit continues to maintain a great deal of craftsmanship wherever it’s important to ensure this high standard. This applies both to ceramic manufacture and to all other production areas at Duravit.



natural park. Additionally, Duravit does everything possible to protect natural elements like water, air and soil – a process that starts with resource-saving manufacturing methods, which employ technologies such as water treatment and heat recovery. The logical continuation of this is manifested in the products themselves, which are water-saving. Even with new products, Duravit takes into impact on the environment and ensures that, whatever it manufactures, it uses natural resources responsibly.

And these efforts have certainly been recognized: Duravit AG as officially been certified for its commitment to the environment in accordance with ISO 14001.



DESIGN AND SUSTAINABILITY. THE DURAVIT BRAND.

(from left to right)
Matteo Thun, Philippe Starck, Herbert Schultes, Lord Norman Foster, Phoenix Design, Prof. Frank Huster, E00S, Andreas Struppler, Christian Werner, Sergei Tchoban, Sieger Design.



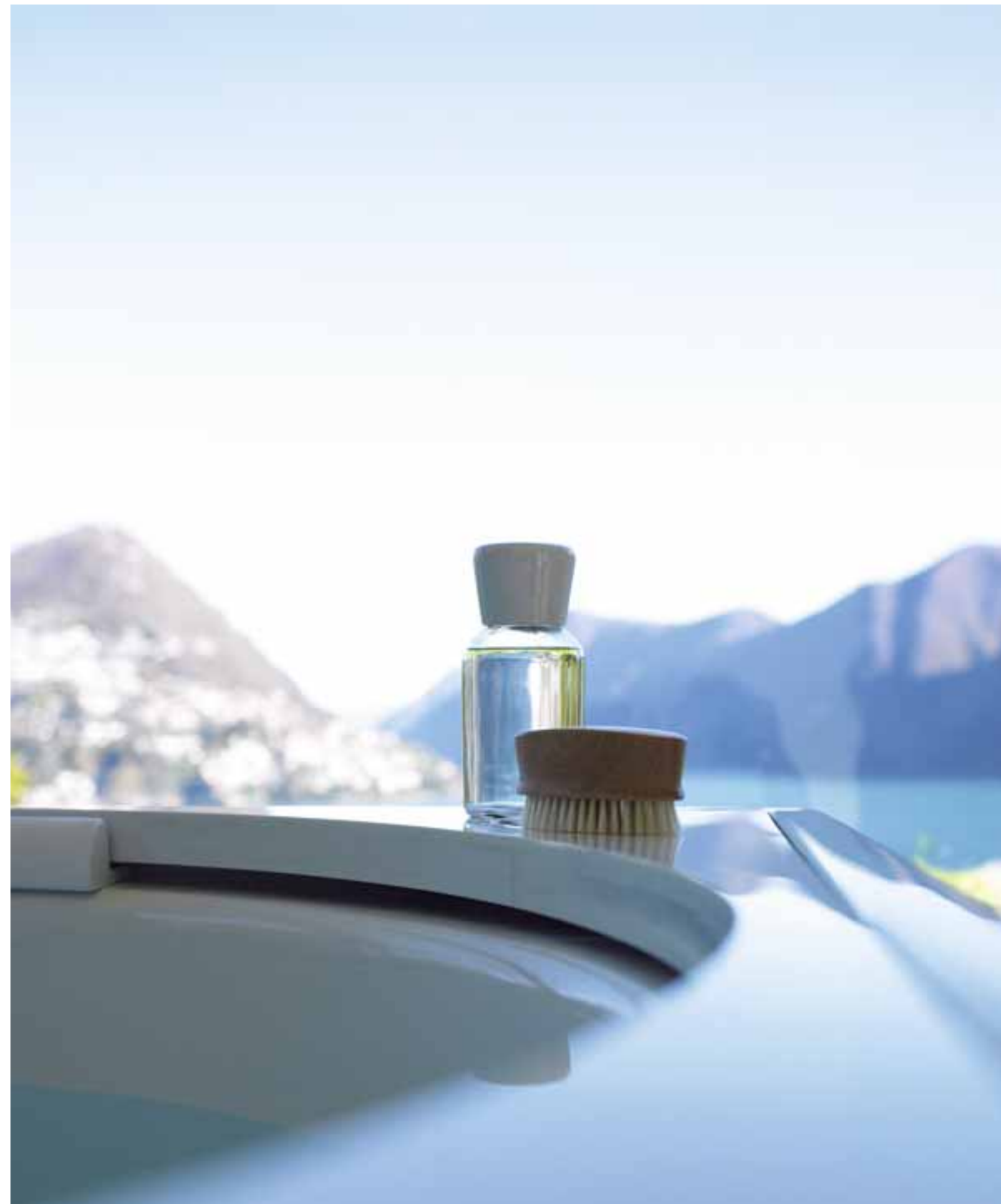
The Duravit design brand. How do we actually recognize good design? After all, individual tastes can be so very different. Nevertheless, certain attributes serve as benchmarks and qualifiers for innovation.

First, Duravit has been the proud recipient of numerous international design awards. These awards celebrate bold design, which has become Duravit's hallmark over the years. Second, there are the designers themselves. Each designer is a specialist in his field – a prominent global innovator with an inherent sense for good design. Good design, as Duravit and its designers see it, is never at the expense of practicality – neither is interested in “design for design's sake.”

And third? That's you, the bathroom user, and your own set of needs and requirements. Thanks to an ongoing dialogue with its trade partners and sanitaryware dealers, Duravit is best able to address these needs and requirements in the brand's designs. Simply put, Duravit recognizes good bathroom design by the fact that it seems specially-created to suit all individual tastes.

Duravit and sustainability. Today, everyone's talking about environmental responsibility – a practice that Duravit has championed for years in its selection of materials, technological applications and production methods. Sustainability is the very reason Duravit continues to work with sanitary ceramic, a material that dates back to 8,000 BC. Today, the manufacture of Duravit sanitaryware ceramic continues to employ the same basic materials – clay, kaolin, feldspar and quartz – a set of natural, regenerative substances. This fusion of Duravit's environmentally-friendly production technologies with the company's meticulous quality control results in products that are highly functional and long-lasting.

At Duravit, sustainable materials, modern expertise and the foresight to recognize what will be important tomorrow comprise the essential ingredients for beautiful – and responsible – living bathrooms.



Ketho

Today's bathroom not only has to look good, it also has to be inviting and functional. Ketho has timed its arrival on the bathroom scene to perfection: comfortable, modern, versatile and good value for money, Ketho becomes the ideal range for first-time buyers.



These demands also extend to the bathroom, which we expect to be attractive, inviting and also functional. **Ketho** takes this development into account: designed by Christian Werner, the new range of bathroom furniture is characterised by clear forms, well thought-out functionality and comfortable quality. The characteristic, ergonomic handles feature throughout the range and give Ketho its true originality. The reduced look of the range is flexible enough to suit any modern bathroom ambience. Combined with good value for money, Ketho becomes the ideal range for first-time buyers.

Design by Christian Werner

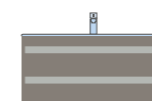


49 Graphite Matt

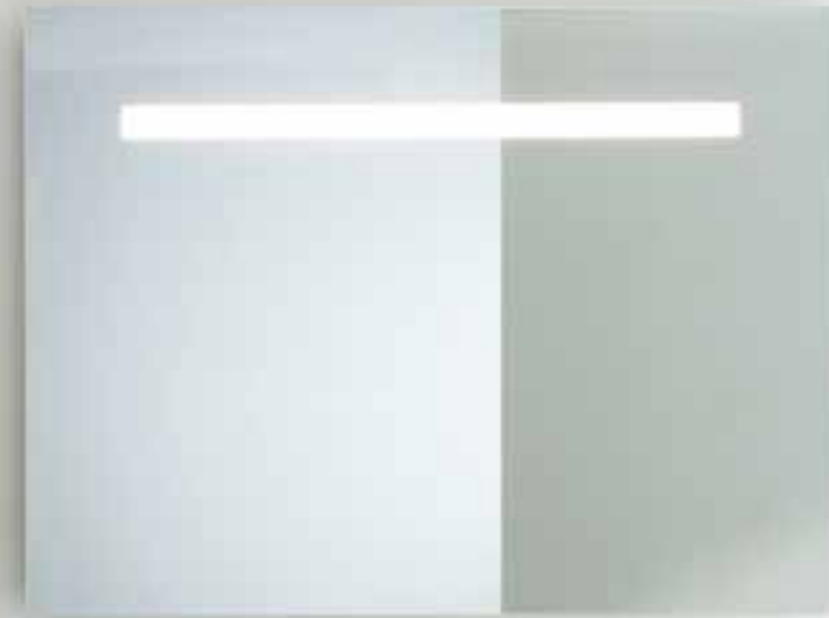
50 Garnet Red Matt

18 White Matt

43 Basalt Matt



Matching furniture washbasins for the D-Code, Darling New, Starck 3 and Vero range.



A horizontal strip light is integrated into the Ketho mirrors for optimum, non-glare lighting. Available in five widths, one of these without light.





The integrated handles of Ketho highlight the slim motif while adding a casual elegance to the body structure. Ketho is ideal for combination with the furniture washbasins in the Starck 3 (left), Darling New (1) and Vero (2) ranges. The tall cabinet – here shown in graphite matt (3) – is available in three different heights (80, 132, 180 cm).



1



2



3

Everything in its place: the Ketho mirror cabinet (1) offers a generous interior for bathroom utensils. The lights are positioned vertically along the sides. It is available in four widths (65, 80, 100 and 120 cm) with one, two or three doors and with optional handles. Additional practical storage space is provided by the vanity units, shown here with the D-Code (2) furniture washbasin and the mobile storage unit (3), all with the basalt matt surface finish.





1



2

Inviting and comfortable, in the cloakroom, too: the Ketho vanity units – here in white matt – can be combined with washbasins from the Darling New (1), Vero (2) and Starck 3 (large image) ranges.



* More information about Ketho

- All dimensions and order numbers >page 298
- Overview of furniture finishes >page 270
- Bathtubs and shower trays >page 166/238
- Leading innovations >page 160



1



2



3

One furniture type, lots of possibilities: the console washbasin (p. 12-13) and countertop washbasins that can be fitted in the vanity unit from above (1+2) allow various combinations with lots of storage space. If the washbasin is inserted into the furniture from below (in matt garnet red) (3), the transition from the ceramic to the wooden surface both looks and feels seamless, which makes it particularly easy-care.



PuraVida

Contemporary, because timeless: with its rounded corners and characteristic curve, the PuraVida complete range creates a new lightness in the bathroom.

The more complex and advanced our world becomes, the more we desire an escape to a new more “emotional” way of seeing things. The brainchild of Phoenix Design, the design of this extraordinary complete range makes minimalism approachable by giving it a new feminine touch. All lines are gently softened giving the range a poetic lightness. PuraVida’s graceful appearance, inviting surfaces and subtle luxury make the collection ideal for people who are not interested in prestige but in contemporary forms, enjoyment and joie de vivre.

Design by Phoenix Design



PuraVida features ceramics with eye-catching rounded corners that create smooth aesthetics. In terms of basin depth, you have the choice between PuraVida and PuraVida+ – in the latter, the washbasin (60 and 70 cm wide) and console basin boast a new double depth – a practical feature for the bathroom user.





The matching mirrors and mirror cabinets are available in various widths.



1



2

A special feature of the PuraVida range is the high-gloss furniture finish – dignified but not flashy. The possible colour combinations are white/white (**left**), white/aluminium (**small image**), white/red (**next page**), white/black (**1**) and white/ebony (**2**). White/red and white/black are available in two different tones and combinations. In addition to the consoles shown, the entire furniture range from the vanity unit to the mobile storage unit is available in all variants. The console vanity unit comes in three widths.



The recessed grip on the PuraVida tall cabinet opens both the upper and the lower element. Inside, the furniture sports many attractive and practical details, such as the rails on the inside of the doors. The cabinets themselves are available with glass shelves; a narrow drawer is also integrated into the centre shelf.



1



2



3



4

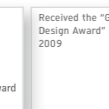
The proverbial lightness of the range is apparent in the PuraVida bathroom furniture: the semi-high cabinet (4) appears to float freely in front of the wall. This weightlessness is underlined by the soft curve of the recessed handles with their "flash" of colour that is the same colour as the respective surface combination, as in the vanity unit for the console basin (3) or furniture washbasin (2). The new furniture handrinse basin with vanity unit is a smaller solution (1).

A confident statement: The free-standing PuraVida bath (**large illustration**) features simple, uninterrupted lines. Alternatively, it is also available with rectangular acrylic panelling and integrated strip light, which offers a discreet flash of the respective furniture colour, or with a soft shimmering LED light – a subtle and contemporary luxury (**small illustration below**). The collection of PuraVida baths comprises one free-standing, one console and three built-in versions, plus a shower tray in two sizes, both with and without apron (**right**).



* More information about PuraVida

All dimensions and order numbers >page 301/339
 WonderGliss >page 265
 Bathtubs and shower trays >page 166/238



The rounded corners and unmistakable PuraVida lines also feature in the WC area. The WC and bidet are available both in the 36 x 54 cm wall-mounted version (**left**) and in the 36 x 63 cm floor-standing version with visible cistern (**above**). Once again, the parts appear to float and communicate the typical PuraVida lightness. All WC seats feature the silent SoftClose lowering mechanism.



2nd floor

Bathroom and home enhancement: with flat forms and warm wood finishes, the entire 2nd floor range ensures an elegantly furnished bathroom.



We no longer consider the bathroom a separate, isolated room, but instead an open, cozy seamless space. With **2nd floor**, Sieger Design and Duravit pay tribute to this idea. A combined high-quality design collection and comfortable furniture range, 2nd floor uses simple means to design an elegant, inviting room. Its many warm wood elements provide an engaging contrast to the white of the ceramic and sanitary acrylic. Thanks to a variety of available dimensions and options, it is possible to create an attractive washing area in every architectural situation, including smaller rooms, such as guest bathrooms and powder rooms.

Design by Sieger Design



(left) The 2nd floor mirrors and mirror cabinets feature light strips on each side that ensure optimum illumination. (1) The console basin with console. (2) The drawers with soft-close function are easy to use and are a feature of the mobile storage unit and all other furniture. (3) Fresh perspectives in room design: The 2nd floor vanity unit features an illuminated shelf unit at the back and is positioned at a 90° angle. (4) The built-in basin with console and additional towel rail, 50 cm or 100 cm. Practical: The towel can be removed from the front. Wood finish: Ebony (real wood veneer).

(below) The 2nd floor furniture range embodies sheer elegance. The tall cabinet, which provides ample storage space behind its mirrored cabinet doors, is shown here in the Rosewood (décor) finish. Light strips at each side ensure optimum lighting. The modular dimensions of the furniture in widths of 40, 60, 80 and 120 cm are carefully thought-out. **(top right)** Each detail of the bathtub is simultaneously chic and practical. The "invisible" outlet, which can be lifted, is concealed beneath an acrylic cover, thus making cleaning incredibly easy. The necessary tool is included. The bathtub is also available with optional water-fall tap.



The 120 cm-wide washbasin vanity unit offers lots of storage space within its two fully extendable drawers. The matching washbasin is available for one tap fitting or as a double washing area.



(left) The "classical" washbasin with ceramic pedestal. The surround at the edge of the basin functions as a convenient storage surface. (1) Floor-standing bidet and WC in the Vario version, with visible cistern and connection that fits flush with the wall. (2) Wall-mounted bidet and WC. (3) Floor-standing bidet and WC. (4) Floor-standing bidet and WC for in-wall cistern. The SoftClose mechanism comes standard on all WC seats and lids (small image).

* More information about 2nd floor

All dimensions and order numbers >page 277/324
 WonderGliss >page 265
 Overview of furniture finishes >page 270
 Bathtubs and shower trays >page 166/238



The room is beautifully furnished; a high gloss white vanity unit with an integrated washbasin and a rotating mirror that hangs from the ceiling. To match the width of the vanity unit, the ceiling panel is available for one or two mirrors (page 41) or in a 35 x 35 cm square format for one mirror.



Available in myriad dimensions and versions, 2nd floor offers unique solutions, ranging from pure ceramic to vanity unit, large master baths to small powder rooms. **(left)** The vanity unit that acts as room divider in White High gloss (lacquer) and fully glazed built-in washbasin. **(1)** Handrinse basin plus all-around wooden panel in the Anthracite Oak finish (real wood veneer). **(2)** Washbasin with wall-mounted vanity unit. **(3)** Handrinse basin with floor-standing vanity unit. **(4)** Washbasin with ceramic semi-pedestal.

Fogo

Real wood: with its pure, engaging design and beautiful real-wood finishes, the Fogo bathroom furniture range perfectly combines aesthetics and comfort.





Real wood in the bathroom – something that is increasingly in demand by people who want a warm, inviting and comfortable home. The **Fogo** bathroom furniture range sets precedents in good design. It brings comfort to your fingertips with five real-wood finish options. The consoles, vanity units, tall cabinets, mirror cabinets and mobile storage units not only share their natural real-wood look, but also their sleek, clean lines. Meticulous craftsmanship down to the very last detail ensures enduring beauty.

Design by Duravit



Matching furniture washbasins for the Vero range

(right) The Fogo mirror cabinet with surface-mounted light, socket and sensor switch, available in widths 60, 80, 100 and 120 cm. The mirror cabinet features a translucent shelf with an integrated indirect light source that illuminates both the inside of the cabinet and the washbasin beneath. A special feature: the distinctive look of the Fogo front is echoed in the mirrored doors. The mobile container with large handle and smooth-closing pull-out compartment and interior drawer. Finish: Bleached Oak (real wood veneer).



Vanity units to match the Vero washbasins are available in widths 45 cm to 120 cm.





(left) The vanity units and all Fogo furniture match the consoles and feature distinctive chrome handles. **(1)** Semi-high cabinets, closed, 80 x 50 x 25 cm. **(2)** Thanks to the glass shelves with rim, the inside of the 8 cm thick cabinet door offers space for all smaller bathroom toiletries. The robust hinges are easy to adjust. **(3)** With dimensions of 176 x 50 x 42 or 23 cm, the tall cabinet proves to be a particularly spacious storage miracle.

The Fogo console just 360 mm deep is available with either one or two drawers.

* More information about Fogo

All dimensions and order numbers
Overview of furniture finishes
Bathtubs and shower trays

>page 292
>page 270
>page 166/238



13 American Walnut

24 Macassar

26 American Cherry Tree

65 Bleached Oak

Variations in real wood: Whether it's warm and inviting American Cherry Tree, dark and sophisticated American Walnut and Macassar or understated Bleached Oak, the four different Fogo finishes offer something for every taste.

Vero

Consistently rectangular, consistently successful: the Vero range of ceramics is the archetype of minimalist form and a modern classic.

Cinema screen or computer monitor, fridge or milk carton, a room, a table, this brochure: our world is inconceivable without the rectangle. Perhaps this is why we are so attracted to **Vero**: the forms of this ceramic range are entirely restricted to the rectangle. It's a restriction that gives rise to new possibilities: this is because Vero is one of the most versatile ceramic ranges of all time. With minimalist design at its core and the strong support of Duravit's ceramic tradition and expertise, Vero is impressive in terms of its form, function and quality.

Design by Duravit





(left) Minimalist and chic: the rectangular Vero washbasin marks the beginning of a complete range of ceramics, shown here with chrome support frame and designer siphon. **(top)** Washbasins and handrinse basins are supplemented by an extensive range of WCs. Shown here is the Vero floor-standing bidet and WC with convenient cistern and automatic SoftClose seat.

(below) Attractive alternative to the "classical" washbasin: the Vero semi-recessed washbasin with the Fogo console is the perfect synthesis of compact dimensions and usable space. **(right)** Bidet and WC in wall-mounted versions. The toilet seat with automatic SoftClose system fits flush with the ceramic, creating a harmonious ensemble. The entire collection features the same design lines, just as **(below right)** the washbasin with vanity unit, the back-to-wall bathtub and the back-to-wall bathtub and the fully glazed console basin with tap area.



* More information about Vero

All dimensions and order numbers >page 317/350
 WonderGliss >page 265
 Bathtubs and shower trays >page 166/238



The Vero handrinse basin is available in a variety of options and is the perfect problem-solver wherever space is particularly tight.



(left) Vero handrinse basin and WC. The handrinse basin is available in widths 25 to 50 cm and in various options, such as (2) along the wall, with tap fitting at the side and (3) with larger inside basin and a larger storage area. This looks simply fantastic with the Duravit designer siphon and the matching corner valves. When combined with consoles or countertops, things really start to look welcoming: (1) The Vero built-in basin with tap area is fitted from above. (4) Alternative: The Vero built-in washbasin can be inserted from below into panels made of any conceivable material. (small image) The classic wall-mounted washbasin with extra-large inner basin, raised ceramic wall and three-hole tap fitting.

Mirrorwall



The bathroom is the place we go to rejuvenate, relax, and prepare for a new day – daily rituals we couldn't achieve without bathroom essentials like the washbasin, mirror and light. Duravit's **Mirrorwall** combines all of these elements to create an ideal all-encompassing lightweight wall system for the bathroom. In creating Mirrorwall, designer Herbert Schultes combined his signature minimalism with graceful elegance through an unusual mix of materials such as glass, wood and ceramic fused with an intelligent touch LED light system.

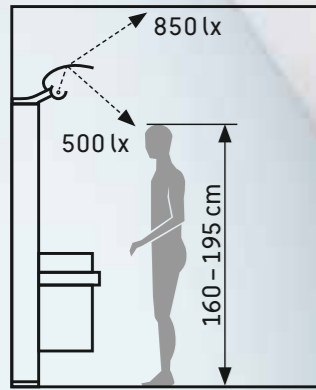
Design by Herbert Schultes



(1) A continuous mirror surface is revealed at eye level behind the mirrored door. The doors feature removable wooden compartments. (2) For all types of toiletries. The drawers (3) and base units (4) underneath the furniture console provide additional space for towel storage. (5) Practical option: the towel holder on the side of the console.

* More information about Mirrorwall

- All dimensions and order numbers >page 300
- WonderGliss >page 265
- Overview of furniture finishes >page 270
- Bathtubs and shower trays >page 166/238



Optimum bright and non-glare 500 lux lighting.



(left) A 500 lux clip-on lamp with specially-developed reflecting "sail" provides perfect illumination for those from 160 to 195 cm in height. Alternatively, two rotatable light columns (3) light up the mirror perfectly and in the right intensity while also illuminating the room. The indirect lighting of the optional side-mounted LED strip with changing colour sequences (1, 4) provides additional atmospheric effects. The system is operated by touch LED (2) or optional wireless switch.



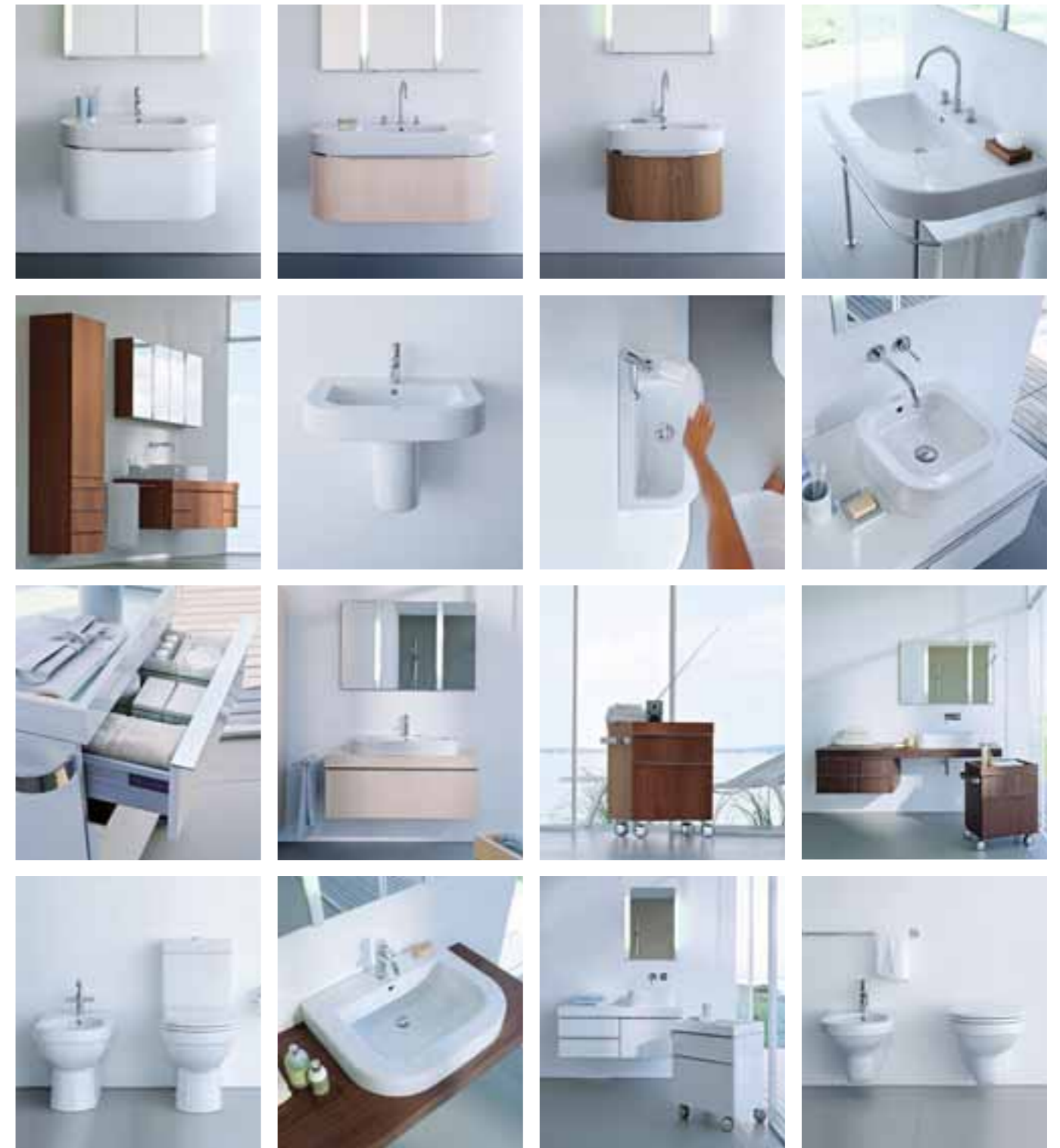
Happy D.

Archetypical bathroom design in the shape of a "D": a complete range of products with great value — to make everyone happy.

Why is **Happy D.** so successful? Perhaps because the range is reasonably priced in spite of its high design quality. Perhaps because Happy D. is such a versatile bathroom range. Perhaps because the D-shaped washbasin is unmistakable. Happy D. is to bathroom design what Bauhaus is to architecture: simple, elegant and timelessly modern — a veritable icon that has gained many friends and numerous design prizes since it was introduced.

Design by Sieger Design

D for design
Sieger Design used one letter
to create an entire collection:
the Happy D. washbasin.



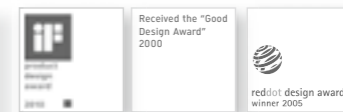
The varied selection of products in the Happy D. range shows how an entire design universe can be created from a single letter: washbasins, console basins, handrinse basins, WCs, bidets, bathtubs and wellness products in all sizes and variations, supported by an extensive furniture range. Despite its extensive options, the Happy D. range allows for simple planning. Its distinctive language also makes it possible not only to design for different room layouts but also for different furnishing styles.



Clear and uncluttered: the Happy D. bathroom is streamlined and sleek. This consistency in design is reflected in the bidet, WC and washbasin with design siphon and chrome towel rail underneath. The freestanding bathtub with acrylic panelling - also available with a whirlpool system - makes for a perfect centerpiece.

* More information about Happy D.

All dimensions and order numbers >page 295/330
 WonderGliss >page 265
 Overview of furniture finishes >page 270
 Bathtubs and shower trays >page 166/238



(below) The Happy D. bathtub is a true eye-catcher. It can be adapted to any room layout thanks to its various applications: built-in, back-to-wall, corner, undermount, and freestanding. Shown here with elegant panelling – available in four wood finishes or sanitary acrylic. **(right)** There are five finishes in real wood veneer, wood décor or white high gloss.



22 White High gloss

24 Macassar

26 American Cherry Tree

13 American Walnut

65 Bleached Oak

Starck 1

Philippe Starck's design searches for the origin of things – the simple, natural, fundamental elements of life. With his Starck 1 range, he achieved just that... and almost immediately wrote bathroom history.

With **Starck 1**, Philippe Starck and Duravit have returned to the beginnings of hygiene, body care and wellness in addition to the evolution of the bathroom. The Starck 1 toilet, bathtub and washbasin are unmistakable descendents of their historic predecessors – the bucket, tub and washbowl – even though they have been completely reinterpreted. It's great to know that something good doesn't have to be "optimized": since their market launch in 1994, all products in the range – ceramic, furniture, tubs, accessories – have been meticulously crafted by hand using the same methods. This quality is nothing less than you would expect from a modern classic like Starck 1.

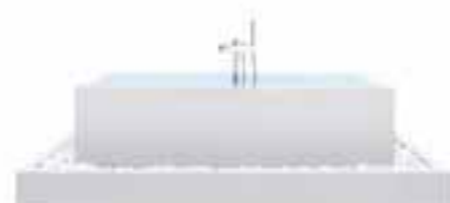
Design by Philippe Starck



The Starck barrel is available in two paint finishes (85 White High gloss and 40 Black High gloss) and in three warm real wood veneers (05 Oak, 13 American Walnut, 24 Macassar)





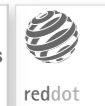


The combination of Starck 1 with the Starck bathroom furniture, here shown in the high-gloss white finish, demonstrate that design-orientated elegance and warm comfort are not mutually exclusive. The Starck 1 washbasins are available in circular (**top**), square (**p. 88 + 89**) or tri-oval design, here shown as console basin (**right**). Matching Starck vanity units make the washing area an elegant centrepiece. Two wooden trays inside the furniture keep the bathroom tidy. (**small image**) The spacious Starck acrylic bathtub. The all-round water channel can be individually designed with stones or teak inserts. Purists will choose the simple, free-standing bathtub version.

A striking feature of all pieces of furniture is the high-quality aluminium edge with integrated lettering. The conveniently large, handle-free drawers of the vanity units offer lots of storage space. A light tap is all it takes to open the drawer. It is closed with a gentle nudge.

* More information about Starck 1/Starck

All dimensions and order numbers >page 305/311/323/341
 WonderGliss >page 265
 Overview of furniture finishes >page 270
 Bathtubs and shower trays >page 168/238



The washbasin and vanity unit also cut a fine figure as a simple square. The unusual feature is that the tap fitting sits directly in the basin. The chic mirror boasts a characteristic light square – it is available in three widths (**top**). The beautifully shaped urinal with cover (**left**) or without cover is a practical and hygienic option that is also suitable for the private bathroom.



This variant offers lots of room for two and has two square console basins (47 x 47 cm) on one vanity unit. The generous surrounds around the basins hold all kinds of bathroom utensils. The oak real wood surface offers an attractive contrast to the brilliant white of the ceramic. The 170-cm high tall cabinet and a rectangular panelled bathtub complete the ensemble (**small image**).



Starck 2

Reduced forms, attractive price.
Or vice-versa. With the Starck 2 bathroom
range, Duravit offers high-quality design
in the mid-range price category.



The handrinse basin with semi-pedestal, 50 cm wide. For guest bathrooms and cloakrooms.

A true Starck, but less elaborate: this was the inspiration behind the second Duravit – Philippe Starck collaboration. The result: **Starck 2**, a range of ceramics that is the ultimate successor to its famous predecessor, Starck 1. Starck 2 also derives its inspiration from the origins of bathroom design: the ceramic forms embody the flowing movement of water and allow us to see the bathroom through a new set of eyes. Starck 2 – the bathroom as a source.



Design by Philippe Starck



For every taste and location: the Starck 2 washbasins are available in many different sizes, widths and variants, and also as a console basin or handrinse basin for small bathrooms or cloakrooms.



The Starck-2 console basin combined with a Starck vanity unit in high-gloss white is as elegant as it is practical (right). The doors of the mirror cabinet (small image on the right) open at the outer edge by 180°. The doors conceal a spacious interior. The freestanding Starck bathtub (top) has long been a design classic and is the perfect complement to the Starck 2 range.

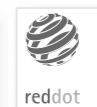




Sophisticated in form, diverse in the application: thanks to different dimensions and variants, Starck 2 offers lots of attractive washing area solutions. The circular undercounter washbasin (top) is an attractive alternative to the washbasin. With a diameter of 47.5 cm and an installation depth of just 18.5 cm, it is ideal for smaller bathrooms in particular. The 38 cm wide handrinse basin (small image) is ideal for cloakrooms.

* More information about Starck 2/Starck

All dimensions and order numbers >page 308/311/323/341
 WonderGliss >page 265
 Bathtubs and shower trays >page 166/238



The sides of the Starck 2 toilet are completely closed, with no fastenings – seamless perfection, a feast for design lovers. The toilet is available as a wall-mounted version (1), a floor-standing version with visible cistern (2) a floor-standing version with in-wall-cistern and matching bidet (3) and with the SensoWash® C Starck shower-toilet seat (4).



Even more top-quality Starck at a great value: there's no doubt that, with the **Starck 3** range of ceramics, Duravit has revolutionized the sanitary world. Starck 3 brings design to a segment where it was once an untouched concept with a vast array of products that meet all needs and tastes. And – the range provides better value for money than ever before. With more than 50 models and 64 variants, Starck 3 is one of Duravit's most extensive bathroom ranges. So, it only seems right that a range that offers so much requires its own brochure to illustrate its numerous applications, examples, and references.

Design by Philippe Starck



You will find detailed information in the latest Starck 3 brochure, which can be ordered free of charge and is also available to download from www.duravit.com



Starck 3

Frequently copied but never matched. The Starck 3 range is and remains the measure of all things when it comes to design, variety and price.



Thanks to the diverse Starck 3 range, designing an attractive washing area to meet individual needs and requirements couldn't be easier. **(left)** The washbasin with practical and easy-care, attractive low back panel and ceramic semi-pedestal. **(1)** The extra wide furniture basin offers lots of storage space and is available in sizes 70, 85 and 105 cm – here with floor-standing pedestal. **(2)** A clean and tidy solution: Starck 3 as built-in washbasin (not shown: also available as variant for installation from below). **(3)** The semi-recessed washbasin with a striking shape and deep inside bowl. **(4)** Slims down for small bathrooms or cloakrooms: the handrinse basin with semi-pedestal.

* More information about Starck 3/Starck

All dimensions and order numbers >page 311/323/341
 WonderGliss >page 265
 Bathtubs and shower trays >page 166/238



There is also an extensive range of Starck 3 WCs with numerous variants: **(left)** The Vario floor-standing WC offers various connection possibilities and fits flush against the wall. **(small image)** The Big Toilet, which sets new standards in terms of comfort. The Starck 3 urinals and the ceramic partitions are a hygienic addition, not only in public areas **(small images left)**. **(1)** WC and bidet in the wall-mounted version or **(2)** in the compact version with short projection. **(3)** Floor-standing bidet and WC for in-wall cistern. **(4)** Floor-standing bidet and WC with ceramic cistern.

Cucina

Duravit kitchen sinks.
Outstanding. Multifunctional.



Duravit Cucina. Ceramics for the kitchen. The kitchen is familiar territory for Duravit. It started to manufacture crockery as early as 1817. With the Cucina range of ceramic kitchen sinks, Duravit has come full circle and is introducing an accomplished combination of form, function and durability to the kitchen. The work of high-profile designers. Carefully manufactured with the new, patented and highly robust DuraCeram® ceramic mass. Boasting lots of useful attributes. And featuring the high quality customers have come to expect from Duravit. Would you like to find out more? Further information is available from the high-quality kitchen retail trade or at www.duravit.com/cucina



Cassia



Starck K



Vero



Kiora



Vero



For more information about our kitchen sinks, please refer to the Cucina brochure that can be ordered free of charge and is also available to download from the Service area at www.duravit.com/cucina



Onto

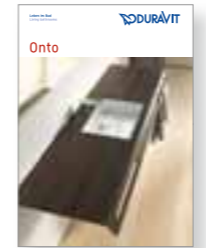
First the ceramic, then the console: the Onto programme charts new territory. A new form of bathroom design, easy to plan, easy to install and easy to clean.



The Onto programme introduces a completely new console principle: with this range, the ceramic is not placed on the console but, instead, the washbasin is mounted first so that the console can be placed onto the ceramic afterwards.

Designed & selected by Matteo Thun

* More information about Onto
 All dimensions and order numbers >page 300/334
 WonderGliss >page 265
 Bathtubs >page 166



The floor-standing, pillar-shaped vanity units with round washbasin are ideal for use in public and semi-public areas. Like the furniture and consoles, they are available in four different wood shades (**very top**). The tall cabinet (1) offers lots of practical storage space. The consoles can also be combined with console basins from other ceramic ranges, here shown with Vero (2). They can be optionally fitted with openings for towels (3, 4). For more information, see the Onto brochure at www.duravit.com or at onto.duravit.com

Architec

The basic architectural elements – the circle and the square – were the inspiration behind the Architec sanitaryware range, which is ideal for a wide variety of applications.

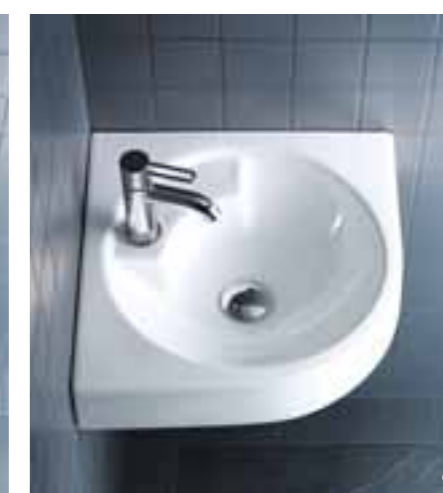


Washroom hygiene is the result of visual appeal and practicality. Developed by Prof. Frank Huster, the Architec ceramic range is compliant with philosophy. The circle and square: two basic architectural elements that sufficed in creating a straight-lined, modern, abundant product range for almost any intended use, whether private, public or barrier-free.



The unusual diagonal cut of the Architec washbasin allows not only a generous storage surface but also more space in a smaller area.

Design by Prof. Frank Huster



A design idea that has a tremendous impact in a wide variety of different forms: **(1)** Built-in washbasin with overflow. **(2)** Built-in washbasin with integrated tap panel. **(3)** Built-in washbasin without overflow. **(4)** Console basin 45 cm. **(5)** Console basin with integrated soap dispenser. **(6)** Console basin 50 cm. **(7)** Handrinse basin 36 cm wide. **(8)** Washbasin, diagonal. **(9)** Corner washbasin. **(small image top)** Built-in washbasin fitted into the countertop from above. **(small image left)** The washbasin is wheelchair-friendly.

* More information about Architec

All dimensions and order numbers
WonderGliss

>page 282
>page 265



Version with classic rim



1. Hygienic flushing jet
2. Easy installation
3. Ceramic covered slotted waste
4. Sensor for flushing and cleaning programmes
5. Solenoid valve controls water flow
6. Intelligent sensor
7. Programmable electronic control unit
8. Waterproof battery compartment
9. Easy-clean urinal siphon



Originally developed for public areas, Architec shows what it's made of: the "intelligent" urinal is available with classic flushing rim **(1)** or with flushing jet and easy-to-clean rim **(2)**, with water inlet either from above or behind, or in a programmable electronic version. The form of the urinal proves particularly easy to clean. Extra practical for the operator: the interior siphon cartridge can be replaced quickly and easily from the front without dismantling the urinal. For all Architec urinals: District surveyor approval required.



Scola

Scola began its career in the classroom. Today, the washbasin is at home with people who value icons. In fact, Scola is the washbasin that has remained unchanged and included in the Duravit programme the longest. It is popular, for example, in the private bathroom or utility room: the circular, deep inside basin offers lots of space to wash one's hands and the ceramic surrounds offer lots of storage space. The version with chrome support frame (**small image**) is a chic alternative to the wall-mounted washbasin.



Bagnella

And now for something completely different: taking the traditional washbowl as its starting point, Sieger Design created this Bagnella basin – circular, simple and already a timeless classic. The form of the console basin remains completely unadorned, while a broad, all-round rim serves as its striking feature. Bagnella can be combined with all types of consoles and counter-tops. The small chrome ring (**small image**) that accompanies the basin provides an elegant connection and also facilitates cleaning.

* More information about Scola and Bagnella

All dimensions and order numbers
WonderGliss

>page 303/286
>page 265

With the **Bacino** console washbasin, Duravit set a trend that continues unabated today. A small but attractive range, Bacino enables both modern and distinctive washing area solutions for private bathrooms, powder rooms and hotels. Bacino can be combined with the Fogo furniture range, as well as with other console materials, such as stone, concrete or glass mosaic.

Bacino

* More information about Bacino

All dimensions and order numbers
WonderGliss

>page 286
>page 265



Design by Duravit

With the Bacino console washbasin, Duravit set a trend that continues unabated today. Now, a small but attractive range, Bacino enables both modern and individual washing area solutions for private bathrooms, cloakrooms and hotels. **(small image)** The console basin in the "rectangular" variant with softened corners, also with furniture console. **(top)** Bacino as attractive double washing area solution.



The name says it all: X-Large offers a tremendous amount of storage space and endless possibilities for bathroom design without appearing weighty. And despite its name, XL furniture offers great solutions for XS bathrooms too.

X-Large



X-Large in White High gloss (lacquer). To achieve the typical gloss effect, the furniture is painted several times. This process also applies to the new Cappuccino High gloss finish (lacquer) (p.120/121). The handles that extend along the entire width of the drawers and pull-out elements are a characteristic feature of the range.



Matching furniture washbasins are available in the D-Code, Darling New, Starck 3 and Vero ranges.



Every bathroom needs storage space. X-Large provides it in abundance while preserving the bathroom's spaciousness. X-Large's ingenious shape and special design features ensure that the furniture will always appear solid and durable while emanating a sense of buoyancy. This is thanks to its chic finishes, narrow consoles and furniture fronts made of translucent glass – all of which embody Duravit's top-quality craftsmanship. A diverse product range consisting of a wide variety of dimensions and combinations, X-Large has just the right storage solution for every room and every style, from the large private bathroom to the small powder room.

Design by Sieger Design



The X-Large tall cabinet appears modern and lightweight thanks to its frosted glass door. X-Large looks particularly elegant in the Wenge (decor) wood finish, which creates a distinctive contrast to the aluminium handles.



(left) A unified whole: The undercounter washbasin is inserted into the X-Large wooden console from below. An innovative technology allows ceramic and wood to be bonded without jointing – a transition that both looks and feels seamless and is thus easy to clean. **(above)** A floating effect is created thanks to an invisible attachment: the practical wall board in widths 60, 80 and 120 cm. The vanity units, crafted for consoles and panel tops, feature a compartment with glass shelf; the siphon remains concealed behind a rear wall but is still easily accessible.



X-Large features a host of big ideas for small bathrooms. For example: **(left)** The 30-cm wide side cabinet with removable chrome basket for towels is ideal for the powder room. Shown here in Oak Anthracite (real wood veneer). **(top)** The handrinse basin vanity unit configurations with door or drawer with chrome basket make the guest bathroom or powder room even cozier; shown here in Teak (decor). The handrinse basins shown in both images are from the Vero range.

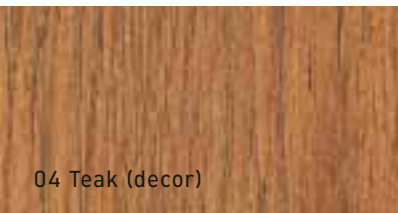


Light, friendly, natural: this is the effect of X-Large in Natural Oak (real wood veneer). **(left)** The vanity unit with long extending drawer offers enough space for two. To match: the mirror cabinet in 120 cm width. **(1)** Vanity unit with Darling New furniture washbasin. **(2)** Vanity unit with Starck 3 washbasin (80 cm width) and mirror cabinet. The integrated light strips ensure optimum illumination. **(3)** Vanity unit with two spacious drawers in beach matt (décor). **(4)** In combination with the Vero furniture basin. **(small image)** The inside of the drawer – with self-closing function and SoftClose technology – can be individually designed with glass dividers and containers.

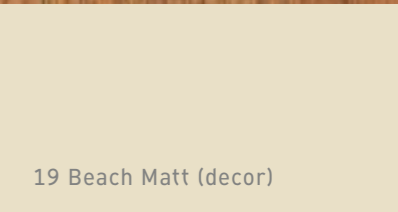
X-Large is undoubtedly eye-catching in the new Teak (decor) finish. The tall cabinet – available in widths 30, 40 and 50 cm – is tall and deep, yet compact. It creates plenty of modern-looking storage space for both larger and smaller bathrooms. When paired with wall boards, a side cabinet, washbasin vanity unit and mirror, X-Large creates an incredibly versatile and inviting bathroom.

* More information about X-Large

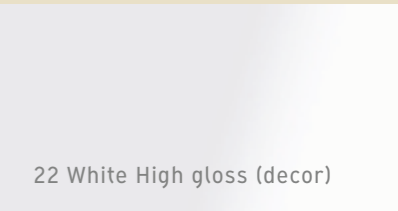
All dimensions and order numbers >page 320
 Overview of furniture finishes >page 270
 Bathtubs and shower trays >page 166/238



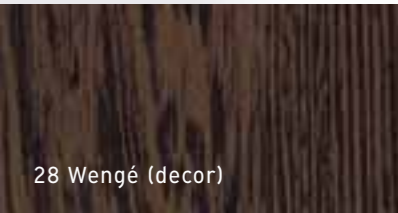
04 Teak (decor)



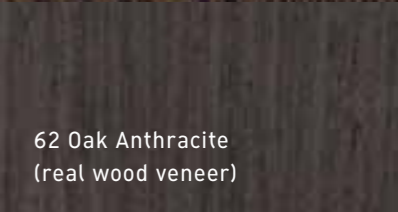
19 Beach Matt (decor)



22 White High gloss (decor)



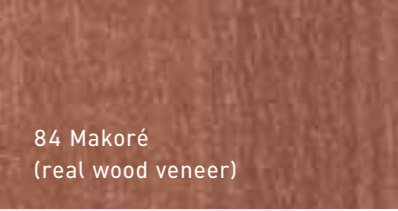
28 Wengé (decor)



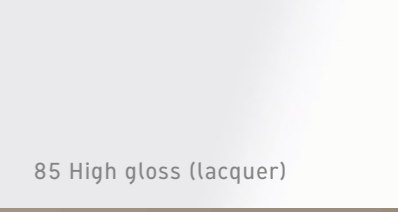
62 Oak Anthracite
(real wood veneer)



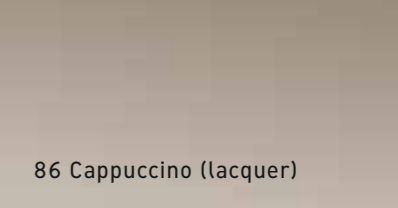
83 Oak Natural
(real wood veneer)



84 Makoré
(real wood veneer)



85 High gloss (lacquer)



86 Cappuccino (lacquer)



darling[®]

new

Now this is what I call modern! A success story is back – in style. Darling New is the evolution of a Duravit classic – and a good idea: lots of design for little money.



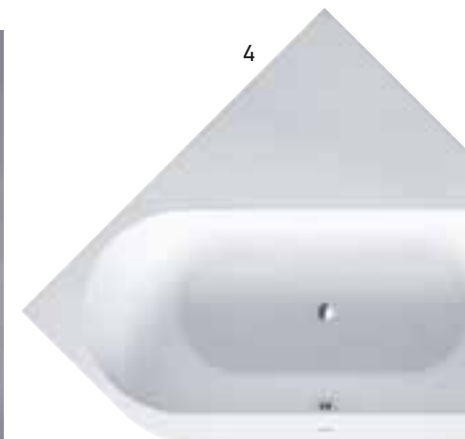
Round, delicate and extremely chic: this is how **Darling New** defines timeless modernity. The new range – sanitary ceramics, bathroom furniture, bathtubs – offers harmonious circular forms, fresh furniture fronts, individual washing area solutions and a wide choice throughout the range. The characteristic, exquisite rim features on all the ceramics. Darling New's individual washing area solutions cater for all bathroom tastes (below). The furniture washbasin (left) offers impressively generous surrounds and a delicate design, even in the smallest size. Stylish and versatile, Darling New is establishing itself as a contemporary variant of a bathroom classic – and remains pleasingly affordable.

Design by Sieger Design



Duravit New puts the spotlight on design freedom: simply combine your own favourite bathroom using the Style Finder. The brochure and even more information on the range are available to download at www.mynewdarling.com





Endearingly individual! As people today want to be able to make their own decisions, Darling New comes in numerous different sizes and variants. The washbasin is available in four different sizes, with pedestal or semi-pedestal (4). Attractive alternatives are the console basin (1) and the furniture washbasin (3) that, together with the vanity unit (5), create an attractive ensemble. The furniture fronts in Pine Terra are also available as bathtub panelling (2).

The delicate edge and the harmonious circle-within-a-circle of the basin are demonstrated to optimum effect in the washbasin (1). The six different furniture fronts (2) are fresh and modern. The tall cabinet with shelves (3) is resplendent with its integrated mirror and plenty of practical storage space, just as the mobile storage unit (5), closed tall cabinet (6) and vanity unit for two console basins (7). Installing the Darling New bathtub diagonal to the corner of the room creates lots of storage space (4).



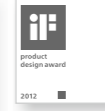
This Darling New bathroom with bath-tub, toilet, bidet and two washbasins offers fun for two and more. Just one model in the diverse range of bathtubs that adapts to all personal preferences for wellness and ambience (top left). Darling New offers 14 practical mirror and mirror cabinet variants (top right).





* More information about Darling New

- All dimensions and order numbers >page 287/327
- Overview of furniture finishes >page 270
- Bathtubs and shower trays >page 166/238
- Leading Innovations >page 160



The delicate edge is the visual leitmotif of the range and is to be found on both the washbasin (left) and the toilet. Darling New has lots of forms and functions for toilets and bidets: whether wall-hanging (1) or floorstanding, with ceramic cistern (2) or in-wall cistern (3). The Darling New toilet with matching SensoWash® C Starck shower toilet seat (4) communicates a new feeling for design, comfort and purity.

Big little bathrooms

What comes to mind when you hear the term "guest bathroom"? Cramped, functional, austere? At Duravit, we aim to correct these misconceptions by offering an array of flexible products for compact room layouts and innovative solutions for guest bathrooms and powder rooms, which come complete with properties such as: spacious, inviting, creative, cozy... and simply beautiful. See for yourself!

From the small room layout to a cozy place to unwind.

Because of their inherent space limitations, many guest bathrooms and powder rooms face unavoidable design challenges that leave them looking cramped or sparsely furnished. Duravit offers the ultimate solution to these constraints through its wide offering of flexible, design-conscious products. Depending on the available space, budget and personal preferences, Duravit can transform even the smallest powder room into a comfortable place to unwind.

Washing areas for every room layout. The washing area is at the epicenter of the bathroom, and Duravit offers an extensive repertoire – everything from handrinse and built-in washbasins with vanity units to countertop basins and matching consoles in various dimensions and styles – to address the design of the washing area. The Starck 1 range offers great ideas for exclusive guest bathrooms. The barrel-shaped washbasin (left) and furniture unit is already a classic and is available with five attractive surfaces.



You can find solutions for small bathrooms here:

Ketho	> page 12
2nd floor	> page 36
Fogo	> page 48
Vero	> page 58
Happy D.	> page 72
Starck 1, Starck 2, Starck 3	> page 80 ff.
Architec	> page 110
Bacino	> page 118
X-Large	> page 120
Darling New	> page 132

Ideal for the exclusive guest bathroom or for the holiday-home-style bathroom: the Starck 1 range, with washbasin and barrel-shaped vanity unit in American Walnut and the floor-standing WC with ceramic cistern and bidet. Practical: a glass shelf with rail provides lots of storage space, and all is concealed behind the vanity's two curved doors.



Great design in a small amount of space: the Starck 3 range also masters limited space with consummate ease by offering an attractive and petite handrinse basin and a compact wall-mounted WC and bidet. Designing an appealing powder room couldn't be easier! For more information, please go to the Duravit website or refer to our Starck 3 brochure.



Bathroom furniture creates storage space and ambiance: with compact dimensions, ingenious solutions and warm wood finishes, Duravit vanity units, tall cabinets, shelves and wall cabinets create a cozy guest bathroom.

The cozy guest bathroom. The guest bathroom and powder room achieve maximum comfort thanks to furniture elements such as shelves, storage surfaces and cabinets available in a wide variety of dimensions and designs to enable maximum flexibility. For smaller room layouts in particular, Duravit's creative bathroom furniture ideas are often the only way to create storage space or useful surfaces. Thanks to the large selection of different real wood veneers, décors and paint finishes, each bathroom can be customized to meet the user's individual taste. An entire range of matching mirrors and mirror cabinets, either with or without lighting, add the finishing touch to the perfect mini bathroom furnishings.



From the powder room to the second bathroom. With the addition of a shower tray, the powder room becomes a fully functional and comfortable bathroom that, if necessary, can also be used as second bathroom for overnight guests. With clever planning and the right products, it is often possible to transform a few square metres into a truly amazing bathroom. The Starck 1, Starck 2, Starck 3, Darling New, Happy D. and 2nd floor ranges offer particularly suitable solutions.



Duravit also offers both functional and attractive solutions wherever space is at a premium with versatile ceramic options and bathroom furniture that offers lots of storage space.

Shorter projection, more space. Wherever space is particularly tight, WCs with a shorter projection are great problem-solvers. At Duravit, these are known as compact designs. A urinal is both a practical and hygienic addition to a bathroom, and, if installed in more private areas, is even available with a cover. The Starck model (previous page), for example, is simple, attractive and incredibly practical.



Narrow dimensions, masses of storage space. Duravit offers bathroom furniture with economical outer dimensions and a spacious interior in a wide variety of different sizes, variants and forms. The Fogo, X-Large, Happy D. and Darling New furniture ranges are just a few examples of what is available. Discreet: the bidet and toilet from the Vero range are separated from the rest of the room by a glass screen (right). With Darling New, the azure accent colour brings freshness into the cloakroom (far right).

What you have to watch out for in the cloakroom...

- * **Hospitality:** your guests will be more than happy with a few small accessories, such as soap dispensers, towel rails, etc., which are all included in the Duravit range of products.
- * **Creativity:** it's entirely up to you: many Duravit ceramic and bathroom furniture ranges can be combined to optimum effect.
- * **Color:** small bathrooms appear larger if you incorporate light colors, large surfaces or tile formats into your design.
- * **Cleaning:** Guest bathrooms can be easy to clean. All Duravit ceramics are also available with the easy-care WonderGliss coating.
- * **Climate:** a guest bathroom with shower can sometimes get a little damp. Duravit bathroom furniture finishes are more than a match for tough climate requirements.
- * **Dimensions:** however small the room, there's always space for a handrinse basin, WC or for a piece of Duravit bathroom furniture. Ask your local sanitaryware specialist for details.





1930 Series

Unashamedly nostalgic and yet timelessly modern: its octagonal design makes the 1930 Series a bathroom classic.

Design by Duravit



The Duravit product range would be incomplete without this classic, which was designed in the Golden Era and presented to the public for the first time in 1930. Over time, many charming pieces were added to 1930 Series to create the complete collection as we know it today.

* More information about 1930 Series

All dimensions and order numbers
WonderGliss

>page 276
>page 265



(1) And yet, however consistently classic its look, 1930 Series epitomizes cutting-edge technology—as exemplified by its wall-mounted bidet and WC. **(left)** The washbasin shape is the archetypical octagon, with sides that taper downwards. **(2)** Bidet and WC in the floor-standing version with ceramic cistern, available with 6-liter and dual-flush system.

The new opulence in the bathroom: like a chaise longue, the bathtub from the Esplanade range invites the user to lie back and relax. With tremendously generous dimensions of 1910 x 1045 mm, it promises a truly regal bathing experience.



Esplanade

As an architect, he is internationally successful. He designed the Federation Tower in Moscow, which is the highest skyscraper in Europe and the Aqua-Dom in Berlin, the largest free-standing aquarium in the world. Sergei Tchoban has now designed a bathroom range for Duravit: **Esplanade** – luxurious, spacious, visually impressive and modern. Tchoban deliberately plays with the splendour of times past but not forgotten. So it's no coincidence that the floor-standing toilet resembles an ancient chair, the washbasin a chest of drawers and the bathtub a chaise longue. The Esplanade furniture is available in two completely different looks, either in exquisite silk or the comfortable oak wood panelling.

Design by Sergei Tchoban



Thanks to the oak panelling, the entire bathroom seems to become part of the living area. An attractive detail on the tall cabinet and vanity units is the high-quality leather handle for opening the doors and/or drawers **(top)**. Generous dimensions: the washbasins are 600 or 850 mm wide, and the floor-mounted toilet and bidet have a projection of 650 mm. The mirror that is illuminated on all four sides offers optimum lighting **(right)**.



* More information about Esplanade

- All dimensions and order numbers >page 291/329
- Overview of furniture finishes >page 270
- Bathtubs >page 166
- Leading Innovations >page 160



In the silk surface finish, Esplanade is stylish, refined and timeless. However, practicality is just as important as looks: with a dark brown leather handle, the tall cabinet and vanity units offer lots of storage space that, in the drawers, is divided into practical compartments. Modern opulence that makes living bathrooms considerably more comfortable.



Bathroom_Foster

When a top architect and designer like Norman Foster designs a bathroom range, it's normal to expect something really special – like Bathroom_Foster.

* More information about Bathroom_Foster

All dimensions and order numbers

>page 294

WonderGliss

>page 265

Bathtubs and shower trays

>page 166/238



The oval is predominant in the Bathroom_Foster range, demonstrating consistency fused with flexibility. **(left)** The basin is enthroned upon a console, the built-in washbasin, inserted from below, creates storage space **(small image)**. **(1)** Floor-standing bidet and WC with visible cistern. **(2)** Washbasin with ceramic semi-pedestal. **(3)** Floor-standing bidet and WC for in-wall cistern. **(4)** Wall-mounted bidet and WC.

Caro

When purity becomes an experience: reduced forms and a distinguishing sweeping movement make the Caro ceramic range ideal for elegant bathrooms.

Design by Phoenix Design

* More information about Caro

All dimensions and order numbers

WonderGliss

Bathtubs and shower trays

>page 286

>page 265

>page 166/238

DESIGN PLUS



reddot



(left) Reduction yields profusion: thanks to the gentle sweeping movement of its generous basin form, the Caro range appears as elegant as it is modern. **(1)** The washbasin is available in widths of 60cm, 70cm and 90cm, with a ceramic pedestal or semi-pedestal. **(2)** Wall-mounted bidet and WC, the latter of which features water-saving 6-liter technology. **(3)** Consistency with the built-in washbasin, too: small basin with lots of surrounding space. **(4)** Ideal for the guest bathroom and powder room: thanks to the slim-line dimensions of the handrinse basin with semi-pedestal, all available space is used, regardless of its compact size. **(previous page)** The floor-standing WC with ceramic cistern and inner plastic tank is particularly quiet and creates almost no condensation. It is a particularly ideal solution for warmer climatic regions.

Anyone can paint, but to create art is to create a tasteful yet diverse whole out of a few related colour tones. The next page is an example of the many variations that are possible with „non-colourful“ tones like white, natural, anthracite and black. Maybe they will help to inspire the design of your new bathroom?

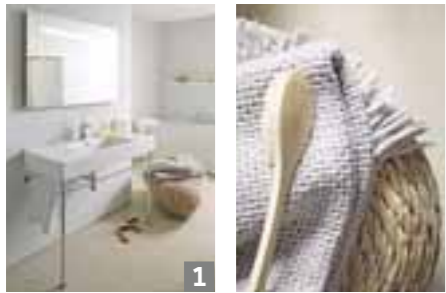
YOU
SET
THE
TONE

All White

And not a chill in the air: the Vero bathroom showcases the purest of all colours. The light flooded room creates a friendly and inviting atmosphere. The bathroom furniture creates a truly glamorous appearance with a white, high-gloss finish, while soft accents solidify the combination with matt furniture surfaces.



1 A combination of high-gloss and matt: the new Ketho bathroom furniture series in white matt, combined with the Vero ceramic series. Light grey walls, finished white board. Find out more about the new Ketho bathroom furniture series on page 12. 2 Vero wall toilet and wall bidet, more information on the series starting on page 58. 3 Vero furniture washstand with high-gloss white X-Large furniture base. Find out more about the X-Large series starting on page 120. 4 Consoles with Happy D. floor cupboard in high-gloss white and Vero series washstand. Walls are a light shade of white, tile stonework is light grey, 20 x 20 cm.



NATURALLY PURE

Anything but dull: This Vero bathroom skillfully combines white and light grey tones into a coherent whole. Especially warm and cosy, the surfaces of the furniture are limed oak. Choose a basalt matt surface if you would like to give the room a cooler touch. Either way, you will have a chic and modern bathroom to enjoy.



1 Vero furniture washstand with chrome console. 2 Wash space solution with Fogo in limed oak and two Vero washstands. Find more about Fogo starting on page 48. 3 Vero wall toilet and wall bidet, in white (alpine). 4 Washstand assembly and mirror Ketho in basalt matt, both 1000 mm, combined with a Vero washstand installation. Beautiful contrast: medium grey walls.

GREY ZONE

Highly aesthetic grey zone: Anthracite tones are as elegant as they are inconspicuous - and probably why they are so timelessly fashionable. Anthracite bathroom furniture is an optical upgrade for your bathroom and is enhanced even further by matt aluminium grip rails. White ceramic and light grey surfaces make for an effectively proven combination.

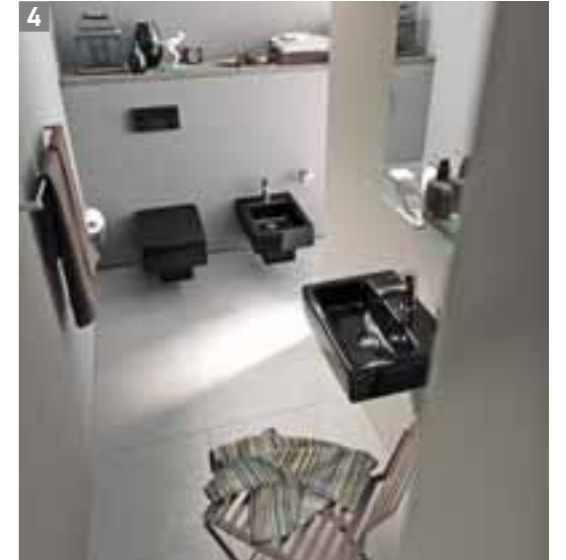


1 Asymmetric wash space with Ketho in graphite matt. Beautiful contrast: Vero washstand in white (alpine) with medium grey walls, floor in smoked oak. 2 Vero mobile washstand with furniture assembly X-Large in cappuccino (finish). 3 Vero furniture washstand in 3 sizes, 1250 mm, 1050 mm and 850 mm.

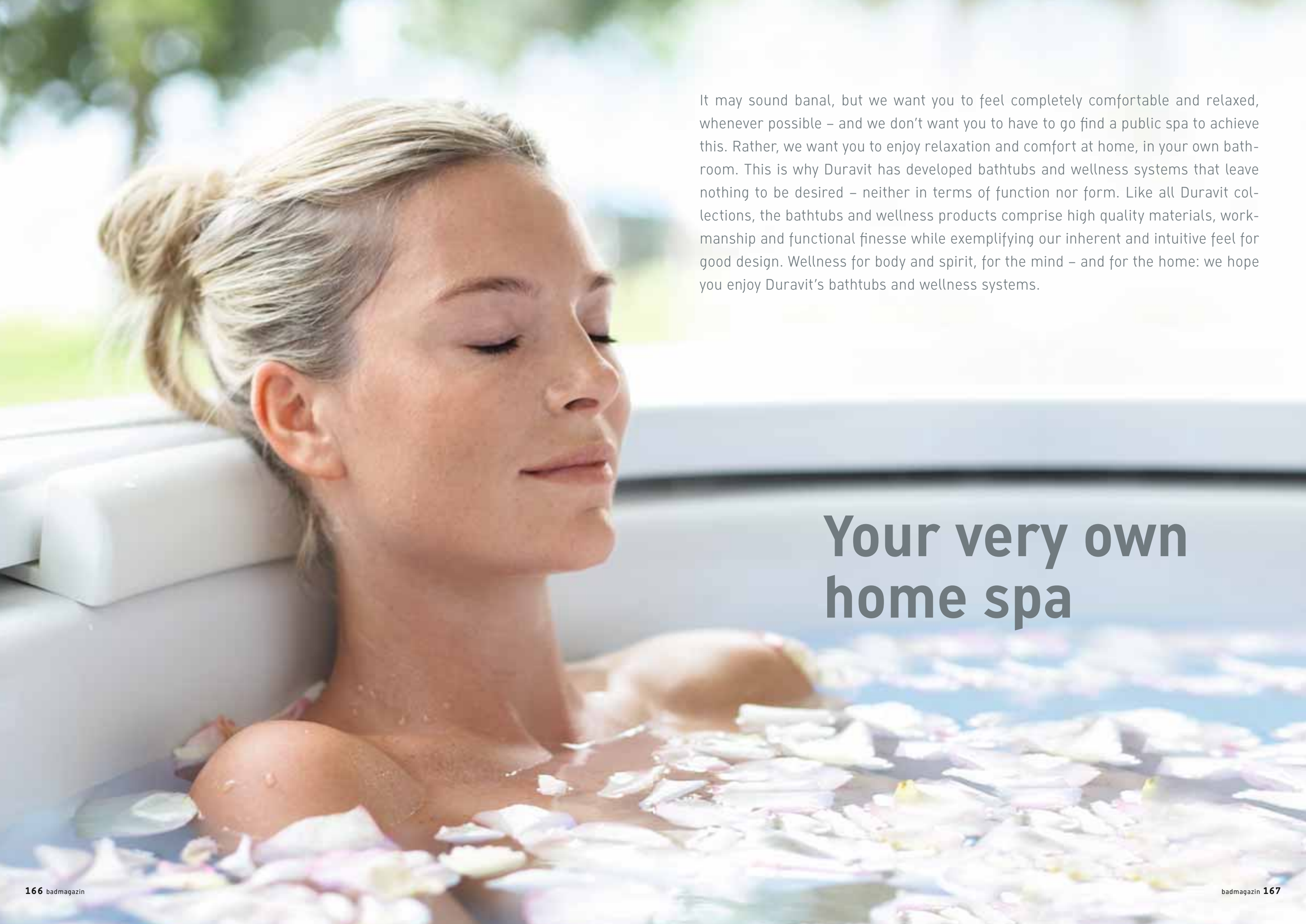


BLACK IS BACK

White is not always the answer. Trend researchers foresee black as the colour of the decade. No wonder: Vero in black high-gloss has a noble, charming and highly modern appeal - and it superbly unites with oak anthracite bases or chrome consoles. All of this creates an exclusive - and timeless yet contemporary - bathroom.




1 Vero washstand with new dimensions: 1200 mm wide and chrome console. 2 Bathroom furniture series X-Large in oak anthracite. 3 Vero washstand for one or two wash spaces. 4 Original guest toilet: material mix with medium grey, a warm oak tone and Vero in high-gloss black. 5 Ketho in graphite matt with black, high-gloss Vero ceramic. 6 Different toilet and bidet combinations from the Vero series.

A woman with blonde hair tied in a bun is relaxing in a white bathtub. She has her eyes closed and a peaceful expression. The water is filled with many white and pink flower petals. The background is a bright, out-of-focus window showing greenery outside.

It may sound banal, but we want you to feel completely comfortable and relaxed, whenever possible – and we don't want you to have to go find a public spa to achieve this. Rather, we want you to enjoy relaxation and comfort at home, in your own bathroom. This is why Duravit has developed bathtubs and wellness systems that leave nothing to be desired – neither in terms of function nor form. Like all Duravit collections, the bathtubs and wellness products comprise high quality materials, workmanship and functional finesse while exemplifying our inherent and intuitive feel for good design. Wellness for body and spirit, for the mind – and for the home: we hope you enjoy Duravit's bathtubs and wellness systems.

Your very own home spa



The free-standing Onto bathtub promises lots of bathing pleasure despite the compact external dimensions (140 x 80 cm).

Free-standing bathtubs

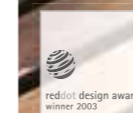
The eye-catcher at the centre of the room: a free-standing bathtub from Duravit really comes into its own wherever there is plenty of space.



The new opulence in the bathroom: like a chaise longue, the bathtub from the Esplanade range invites the user to lie back and relax. With tremendously generous dimensions of 1910 x 1045 mm, it promises a truly regal bathing experience. Shown here with the welcoming panelling in oak (real-wood veneer).



Philippe Starck bathtub with apron, 180 x 80 cm



(top) Not just pleasing to the eye: the minimalist Starck bathtub with apron, 180 x 80cm, introduces new purity to the bathroom. Like all Duravit bathtubs made of high-quality sanitary acrylic, its warm surface feels pleasant to the touch, creating a feeling of relaxation right from the start.



The free-standing Starck bathtub makes a clear statement about design, luxury and wellness. Available in three versions: as one- or two-seater, with or without all-around water channel. With this version, the bathtub can be filled with water right up to the rim – a wonderful feeling for bathers, since the entire body becomes surrounded by water and warmth. The water channel is available with teak inserts (**top**) or with specially-treated stones and optimum coloured lighting. Of course, the Starck bathtub is also available without water channel as free-standing bathtub with overflow. **(small image)**



A confident statement: the free-standing PuraVida bathtub (200 x 100 cm) with acrylic panelling features simple, uninterrupted lines and soft rounded corners.

Back-to-wall bathtubs

Perhaps the most beautiful thing to be paired with a wall: a Duravit back-to-wall bathtub, available in many different forms, finishes and versions.



Happy D. bath 180 x 80 cm
with integrated panel.



White, an enduring fashion favourite: Duravit is now offering bathtub models with panelling made of sanitary acrylic – glossy snow white, elegant and attractive. Available for Vero (**top**), 2nd floor, the rectangular Starck bathtub, Paiova, Darling New and Onto.



Esplanade – luxurious, spacious, visually impressive and modern. Here as a back-to-wall version with apron made of white sanitary acrylic. The Esplanade range of bathtubs comprises a free-standing, back-to-wall and two corner versions, either with furniture or acrylic panelling.



The characteristic recess of the PuraVida bathtub (180 x 80 cm) is available with acrylic panelling in aluminium or with soft shimmering LED lighting.



Coordinated luxury. With Paiova Monolith, the striking inside basin is part of an overall rectangular form that creates additional storage space with minimum water consumption and maximum bathing pleasure. It is extra comfortable thanks to the optional, soft neck cushion.



(1) As with the rest of the range, the rectangle of the Vero back-to-wall bathtubs is an eye-catching design feature. They are available in four sizes, from 170 x 70 cm to 190 x 90 cm. (2) The invisible outlet of the 2nd floor bathtub, concealed by a sanitary acrylic cover, is opened and closed simply by tapping on it. (3) The Darling New bathtubs offer attractive and effective wellness: shown here with welcoming wood panelling in silver pine. (4) Taking a bath together can be fun, and also really comfortable. The Starck bathtub, 200 x 100 cm, with two sloping backrests. The optional neck supports are fixed to the bathtub with suction pads.



Built-in bathtubs

We design the bathtub, you choose the trimmings: an attractive built-in bathtub from Duravit is the logical choice for all creative interior design ideas.



Starck built-in bathtub, rectangular, 180 x 80 cm

The built-in bathtubs from the Starck range in the rectangular variant. Straight-lined, minimalist, reduced to the essentials – all to give maximum pleasure to the bather. **(small image)** The one-seater with ergonomically sloping backrest at a 30° angle, here with optional neckrest. **(top)** The Starck two-seater with dimensions 180 x 80 cm offers great comfort and, thanks to the two sloping backrests, requires surprisingly little water.



Daro built-in bathtub, here as two-seater with 180 x 80 cm.

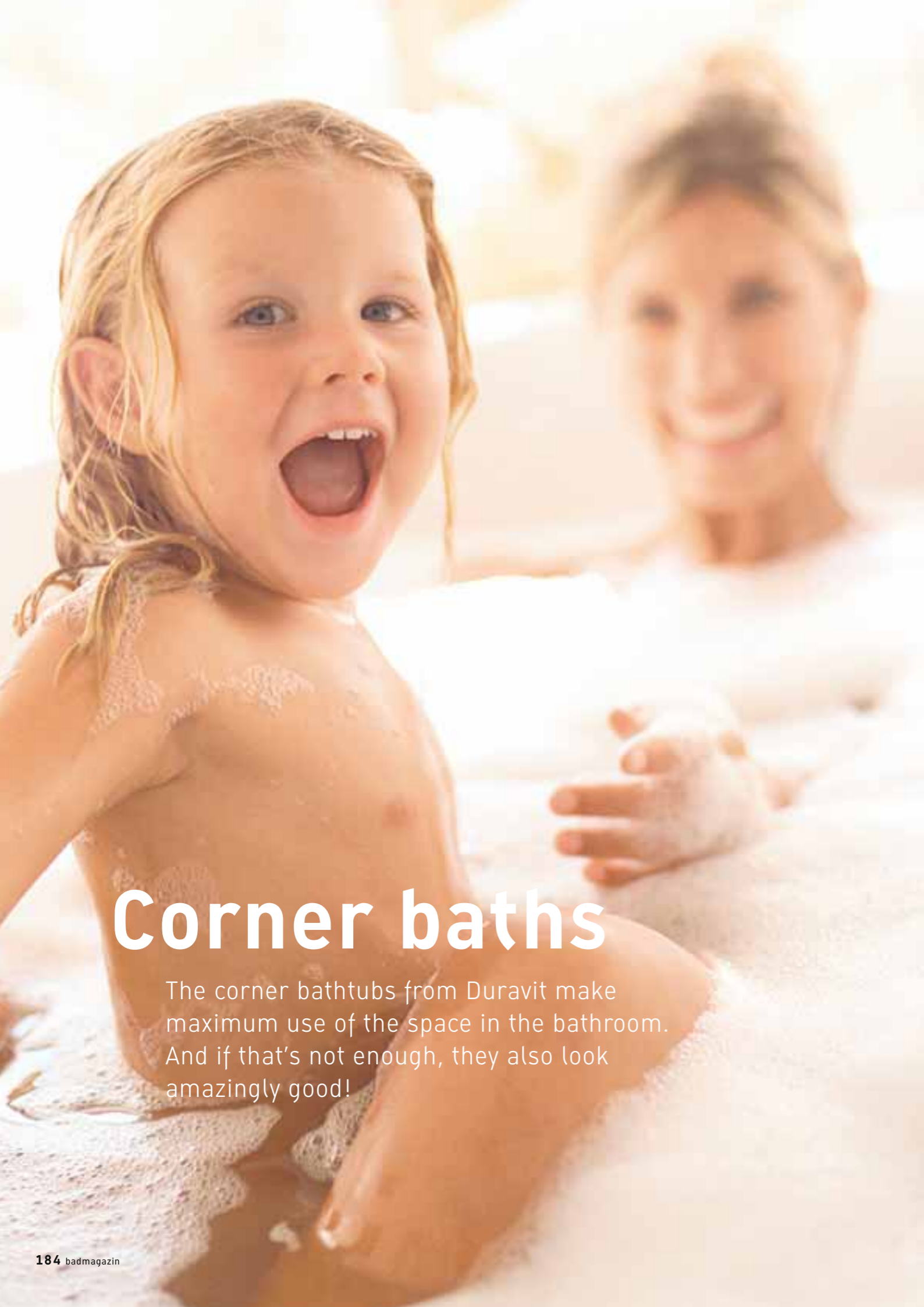


Not without reason, 2nd floor is regarded as an extensive and diverse range. There are also various built-in baths to choose from, shown here in dimensions 170 x 75 cm and combined with a tiled plinth. Like all Duravit built-in bathtubs, it is also available with integrated whirl system.



The PuraVida bathtub 200 x 100 cm in the surface-mounted version with high rim.





Corner baths

The corner bathtubs from Duravit make maximum use of the space in the bathroom. And if that's not enough, they also look amazingly good!



Thanks to the optimum use of space – minimal bathtub rim, maximum interior – the 2x3 corner bath offers lots of space



With the Happy D. corner bath with integrated apron, the design is, once again, unmistakable and harmonious. With variants for left and right-handed corner baths, the Happy D. tub is suitable for all architectural conditions. Its ergonomic backrest, which is angled at 30° creates soothing comfort while an optional, integrated whirlsystem promises an extra-relaxing bathing experience. The Happy D. corner baths are also available with furniture panelling and as built-in tubs.



Paiova is available as a one- or two-person bathtub. Design by E00S.

Paiova Whirlpool, 170 x 130 cm

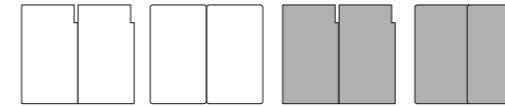


Paiova, 170 x 100 cm

The reason behind the trapezoidal form of the Paiova bathtub is comfort: it simply offers more space for taking an enjoyable bath. Whether as a one-person bathtub (**right**), here with the American walnut (real wood veneer) bathtub panelling, or as a comfortable two-seater for lying side by side (**top**). The step makes it easier to get in and out. It's even more comfortable with the optional neckrest. The bathtub with integral apron is made from a single piece without any annoying joints (**small image**).

Bathtub covers

Added value for the bathtub.



The covers are available in a set of two in white or anthracite and with or without side opening for the shower hose.



Duravit originally developed this design highlight for the Sundeck and Blue Moon bathtubs: with the ingenious covers, the bathtub can be transformed into a comfortable relaxation deck in no time at all. Reason enough to now also offer them separately. With the elements that can be individually combined, it is now possible to transform almost any bathtub into a practical storage area or seat, changing mat or relaxation deck.



Coloured light and whirl technology

There's one thing that you want to experience in the bath more than anything else: relaxation. An effect that can be maximised with whirlpool and lighting systems from Duravit.



Mobile, easy to use, uncomplicated: the remote control can be used to operate all coloured lights in a Duravit bathtub. With a graphic, comprehensible design, operation is as easy as with a television. The difference is that the programmes are much better, more relaxing and have a more beneficial effect on the body. Waterproof and easy-care, the remote control withstands all bathing activities.



The Blue Moon bathtub, designed by Jochen Schmiedem.



The positive effect of colour on the human psyche has been medically proven, while light is successfully used for therapy. Coloured light can also be used at home, in one's own bathroom, for relaxation and to boost wellbeing. Duravit bathtubs with integrated coloured light and LED lights set into the sides of the bathtub create a tranquil, soothing atmosphere. Individual colour shades can be selected or they can be set to change subtly at regular intervals. Select from five different programmes.



The Darling New bathtubs offer attractive and effective wellness: a soft, white, atmospheric LED light shimmers below the all-round rim. The optional neck cushion also promises optimum relaxation. A total of 12 different variants are available, as well as panelling, a bathtub support frame and a neck cushion.



The Starck whirlpool in action, remote controlled from the rim of the bathtub. A Duravit bathtub can be fitted with five different whirlpool systems, ranging from the "simple" air system with air jets on the base of the bath to the Combi-System L, which combines the individual air and jet systems (water jets installed on the side), jets for back, foot massage and a halogen spot-light. Unlike the LED lights that are also available, the halogen light only truly comes into its own in combination with water.



The comfortable neck cushion is available in either white or blue.

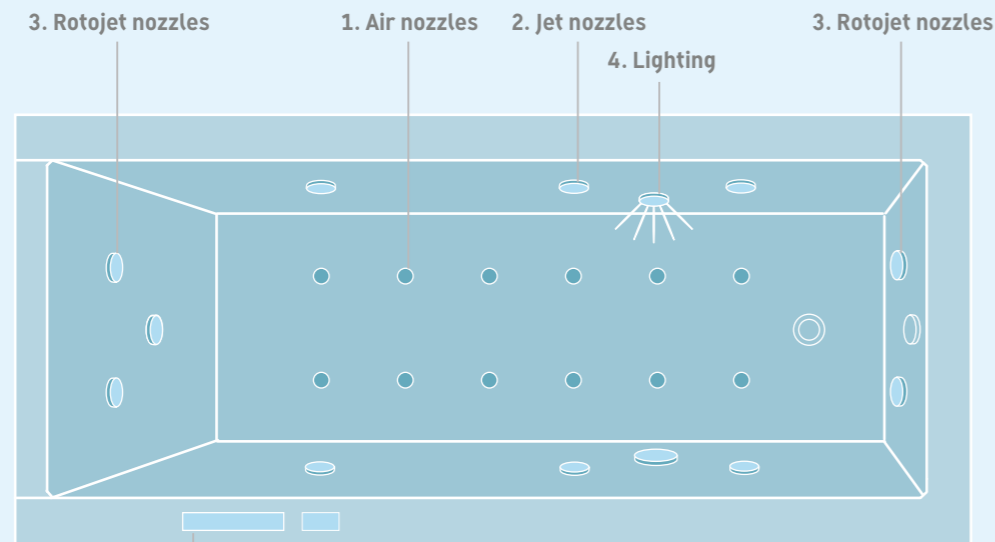


Starck whirltub with Combi-System E, 170 x 80 cm

In the Duravit whirltubs, you not only experience bubbling bathing pleasure but also beneficial after-effects: the air bubbles stimulate the circulation and the water massage stimulates the blood flow. You feel lighter and carefree, muscular pain and tension simply disappear.



(1) Air nozzles: pre-heated air bubbles surround the entire body to stimulate the circulation and relaxation of the nervous system. **(2) Jet nozzles:** a mixture of water and air gently massages the back, thighs and calves. The bubbles stimulate the tissue under the skin, providing relief for muscular pain and tension. **(3) Rotojet nozzles:** rotating water-and-air massage nozzles gently massage shoulders, lumbar regions and feet to stimulate circulation, increase muscular function and strengthen the organism. **(4) Halogen spotlight:** this creates an even more pleasant bathroom atmosphere. **(5) LED spotlight:** White light, specific colours and light programmes can be both selected and dimmed via remote control. Unlike the halogen spotlight, the LED spotlight can also be used without water as additional atmospheric lighting.



Control unit



Combi L control unit

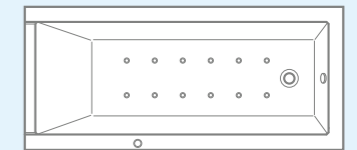


Combi E control unit

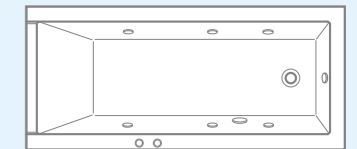


Combi P control unit

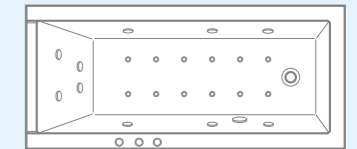
Air system. Pre-heated air from 12 air nozzles set into the base of the tub bubbles gently around the entire body. The Air System can be optionally extended to include the additional sound and/or LED coloured light module: it uses Bluetooth to establish a connection with an MP3 player, mobile phone, etc. and also to select the track and volume.



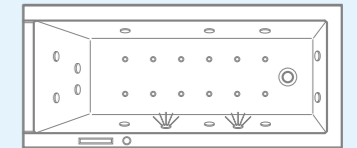
Jet system. Six water-air nozzles arranged in the side wall create a beneficial massage effect. The intensity of the massage jet is regulated via an air controller on the rim of the bathtub. The Jet System can be individually extended to include the additional LED coloured light and sound module.



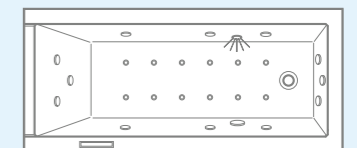
Combi-System P. The positive action of the air-and-jet system is combined in the Combi-System P. In addition, the Combi-System P is fitted with four rotating back massage jets. It is operated via two pneumatic switches and one air controller fitted onto the rim of the bathtub. The Combi-System P can be individually extended to include the additional LED coloured light and sound module.



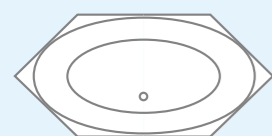
Combi-System E. The electronic control of the Combi-System E offers particular comfort. The air and jet systems, which are included as standard, as well as white light and the back and foot massage jets, are all easy and convenient to operate from a compact panel. The Combi-System E can be individually extended to include the additional modules for temperature, LED coloured light, sound and UV hygiene management.



Combi-System L. When touched, the control unit lights up in blue. The air and jet systems, which are included, halogen spotlights (with Blue Moon, two spots) and the back and foot massage jets are all easy and convenient to operate from the compact panel. The standard equipment also includes an electronic dry run protection. The Combi-System L can be individually extended to include the additional coloured light as LED spotlight (previous page), temperature L and automatic UV hygiene management modules.



◻ for 1 person ◻◻ for 2 people L/R Corner left/Corner right



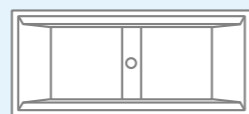
2 x 3 ◻◻

1900 x 900 mm
2000 x 1000 mm
More information from p. 324



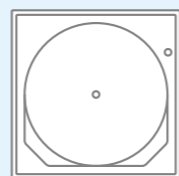
2nd floor ◻

1600 x 700 mm
1700 x 700 mm
1700 x 750 mm
More information from p. 324



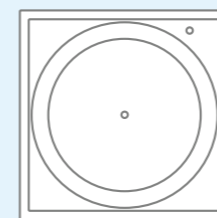
2nd floor ◻◻

1800 x 800 mm
1900 x 900 mm
2000 x 1000 mm
More information from p. 324



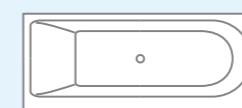
Blue Moon ◻

1400 x 1400 mm
More information from p. 326



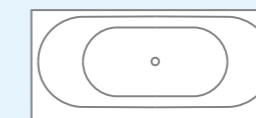
Blue Moon ◻◻

1800 x 1800 mm
More information from p. 326



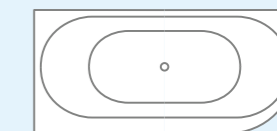
Darling New ◻

1600 x 700 mm L/R
1700 x 700 mm L/R
1700 x 750 mm L/R
More information from p. 327



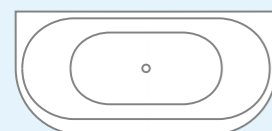
Darling New ◻◻

1800 x 800 mm
1900 x 900 mm
More information from p. 327



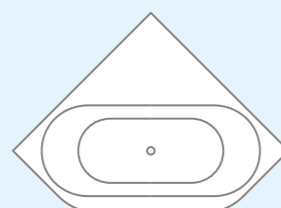
Darling New ◻◻

1900 x 900 mm L/R
More information from p. 327



Darling New ◻◻

1900 x 900 mm
More information from p. 328



Darling New ◻◻

1415 x 1415 mm
More information from p. 328



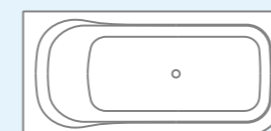
Daro ◻

1700 x 700 mm
1700 x 750 mm
More information from p. 328



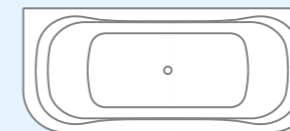
Daro ◻◻

1800 x 800 mm
More information from p. 328



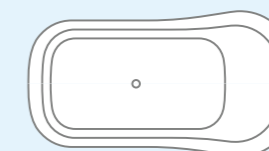
Esplanade ◻

1900 x 900 mm L/R
More information from p. 329



Esplanade ◻◻

2100 x 900 mm
More information from p. 330



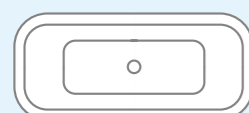
Esplanade ◻

1910 x 1045 mm
More information from p. 330



Happy D. ◻◻

1800 x 800 mm
More information from p. 330



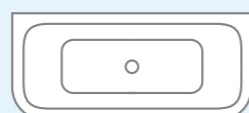
Happy D. ◻◻

1800 x 800 mm
More information from p. 323



Happy D. ◻

1800 x 800 mm L/R
More information from p. 331



Happy D. ◻◻

1800 x 800 mm
More information from p. 331



Onto ◻

1700 x 750 mm (depth 340 mm)
More information from p. 334



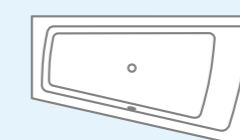
Onto ◻

1700 x 750 mm
1800 x 800 mm
More information from p. 334



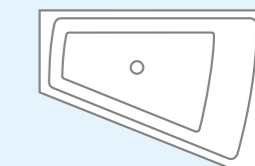
Onto ◻

1400 x 800 mm
More information from p. 334



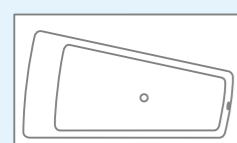
Paiova ◻

1700 x 1000 mm L/R
More information from p. 336



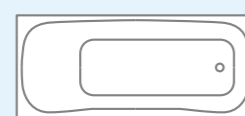
Paiova ◻◻

1700 x 1300 mm L/R
1800 x 1400 mm L/R
More information from p. 338



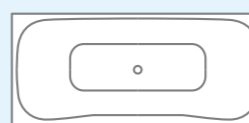
Paiova Monolith ◻

1700 x 1000 mm L/R
More information from p. 338



PuraVida ◻

1700 x 750 mm L/R
More information from p. 339



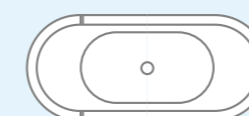
PuraVida ◻◻

1800 x 800 mm
1900 x 900 mm
More information from p. 339



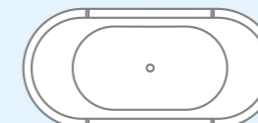
PuraVida ◻◻

2000 x 1000 mm
More information from p. 340



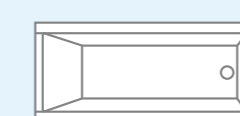
Starck ◻

1800 x 800 mm
More information from p. 341



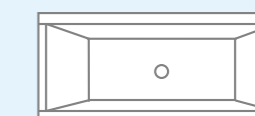
Starck ◻◻

1900 x 900 mm
More information from p. 342



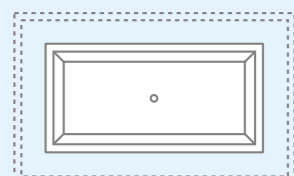
Starck ◻

1500 x 700 mm
1500 x 750 mm
1600 x 700 mm
1700 x 700 mm
1700 x 750 mm
1700 x 800 mm
1700 x 900 mm
More information from p. 341



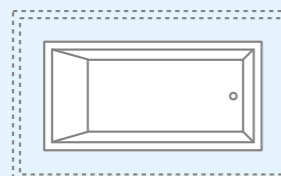
Starck ◻◻

1800 x 800 mm
1800 x 900 mm
1900 x 900 mm
2000 x 1000 mm
More information from p. 341



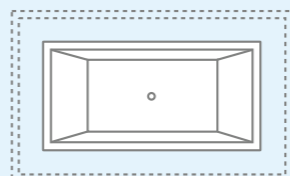
Starck ◻◻

1800 x 900 mm
2320 x 1420 mm*
More information from p. 342



Starck ◻

1800 x 900 mm
2320 x 1420 mm*
More information from p. 342



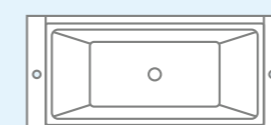
Starck ◻◻

1800 x 900 mm
2320 x 1420 mm*
More information from p. 342



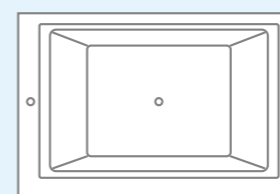
Sundeck ◻

1900 x 900/1000 mm
2000 x 1000 mm **
2105 x 1200 mm ***
More information from p. 348



Sundeck ◻◻

1900 x 900/1000 mm
2100 x 900/1000 mm
2000 x 1000 mm **
2105 x 1200 mm ***
2200 x 1000 mm **
2305 x 1200 mm ***
More information from p. 347



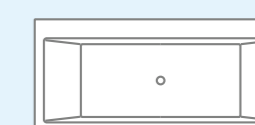
Sundeck ◻◻

2100 x 1400 mm
2200 x 1400 mm **
More information from p. 350



Vero ◻

1700 x 700 mm L/R
1700 x 750 mm L/R
More information from p. 350



Vero ◻◻

1800 x 800 mm
1900 x 900 mm
More information from p. 351

* With water channel and specially treated stones or wooden inserts, 2320 x 1420 mm

** Built-in version incl. support frame, *** Built-in version incl. rail-mount system



Nahho

Not bathing but floating. The Nahho flotation tub enables the bather to enjoy the feeling of weightlessness and complete relaxation.

Design by E00S



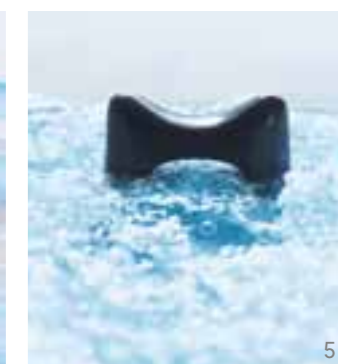


Visual relaxation: all technical elements such as tap fittings, waterfall tap or the optional indirect lighting are concealed behind a furniture flap in white matt or graphite matt finish.

* More information about Nahho

All dimensions and order numbers
Coloured light and whirl technology

>page 333
>page 190



With Nahho, Duravit introduces a new form of bathing culture – floating. Nahho is the name of the original canoe, the dugout canoe and floating is that wonderful feeling of stretching out and drifting in water, almost weightlessly. The optional, height-adjustable “bushman” neck rest (5), designed according to a classic Ethiopian model, further enhances the feeling of relaxation. Nahho is available as built-in (2) and as back-to-wall version (1), optionally also with the Durapearl system (3) and sound module (4).

Sundeck

An all-in-one bathtub, lounge and wellness source:
Sundeck for twice the amount of relaxation – both
indoors and outdoors.



In the bathroom, in the living room or on the terrace... designed by E00S, **Sundeck** can be set up wherever there is a hot water connection. The practical cover keeps the bathwater at a desirable temperature. But there's more: it folds together to become a comfortable headrest and can be closed to create a relaxing lounger.

Design by E00S



(1) For those who prefer to install the tub in their own unique way, Sundeck is available as a built-in tub, shown here as a two-seater with two sloping backrests, 190 x 90 cm. A single-seater, 190 x 90 cm, and an XL two-seater, 210 x 90 cm, are also available as built-in versions. And for those who would like to experience something more when bathing, the optional Duravit whirlpool systems and LED coloured lights are available for all versions. **(2)** Sundeck as a lounger with closed cover. **(3)** The free-standing version of Sundeck (190 x 90 cm) provides the ultimate vacation-like retreat.



The free-standing version of Sundeck is available as a single-seater (190 x 90 cm) and two-seater with two sloping backrests (210 x 90 cm). Tub panelling is available in a choice of eight real wood or wood decor veneers.



* More information about Sundeck

- All dimensions and order numbers >page 347
- Overview of furniture finishes >page 270
- Coloured light and whirl technology >page 190
- Bathtub features >page 268



(1) The upholstered cover folded together to form a headrest. (2) When Sundeck is installed outdoors, a tarpaulin keeps the tub and the water clean. (3) The hand-sewn white cushions and neck rolls make for additional comfort. (4) An upholstered white fabric step (109 x 28 x 14 cm) makes it easier to get into the bath.



Simply spacious: Sundeck as pool. With dimensions 210 x 140 cm, it offers lots of space for enjoying bathing with friends.

* More information about Sundeck Pool

All dimensions and order numbers
 Overview of furniture finishes
 Pool systems

>page 350
 >page 270
 >page 226



(1) The Sundeck pool has three whirl cycles for perfect wellness: Power, Relax and Emotion, the latter with the new Durapearl nozzles – only water, only air or a mixture of water and air that creates a gently bubbling surface. **(2)** A control panel is concealed beneath a flap at the side. The settings for the whirl and underwater coloured light programmes can be set here. **(3)** The pool enjoyment can be controlled via a waterproof remote control. **(4)** So all you have to do is lie back and relax...

(1) In spite of its size (2100x1400 mm), the Sundeck Pool remains true to Duravit design standards. The bathtub panelling is available either in real wood or a wood veneer finish. The pool is available as a corner, wall or free-standing version. Without the pool system it can be supplied as a built-in version with variable tub support. **(2)** When the pool is not being used it can be covered over to create a comfortable flat sundeck with hinged headrest.

Blue Moon

Blue Moon is the ultimate in feel-good bathing — and a high-quality design object.



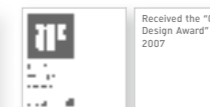
The more water, the more room, the more depth...the better. With its square body and circular tub and an immersion depth of 510 mm, the elegant **Blue Moon** tub embodies design in its purest form. Immerse yourself completely in water coloured with light. Because only the user's back touches the tub, a feeling of pleasant floating weightlessness takes over – and this becomes even more pronounced in the larger version of Blue Moon.

Design by Jochen Schmiedem



* More information about Blue Moon

All dimensions and order numbers	>page 326
Overview of furniture finishes	>page 270
Coloured light and whirl technology	>page 190
Bathtub features	>page 268



(left) Blue Moon with acrylic panelling with Teak shelf and optional Teak bench with stainless steel clothing rail. In addition to the free-standing version there are also corner and back-to-wall versions. (1) Convenient accessory: the comfortable neck support. (2) For purists: Blue Moon as a bathtub without whirlpool system. (3) The whirlpool tub in action, shown here with Teak panelling. (4) The optional Teak bench with practical support and clothing rail.



Blue Moon Pool, 180 x 180 cm. Shown here with bathtub panelling in Teak decor. Comfort can be individually controlled via the waterproof remote control with functions such as underwater coloured light and the Power, Relax and Emotion cycles, which operate either separately or in parallel.



Practical and tidy – the weather-resistant outdoor tarpaulin offers optimum protection.



1



2



3



4

(1) The upholstered cover serves a dual function as a shelf, seat or lounger. **(2)** It doesn't always have to be in the bathroom: the free-standing Blue Moon pool is also suitable for installation in conservatories or on the terrace. Either way, it is also available in all variants as bathtub without pool functions. **(3)** Instead of wood, the Blue Moon pool is also available with acrylic panelling. A foot rest, the wooden inserts and separate bench are all practical options. **(4)** When the cover is no longer required, it can be stored away in the compact, pull-out holder at the side.

* More information about Blue Moon Pool

All dimensions and order numbers >page 326
 Overview of furniture finishes >page 270
 Pool systems >page 226



The Blue Moon pool is available in sizes 140 x 140 cm or 180 x 180 cm. The generous depth of 50 cm enhances the "floating" effect - allow yourself to be carried away.

The Duravit (1) Blue Moon and (2) Sundeck pools leave nothing to be desired. Neither in terms of design: the water nozzles are available in two colours or quite simply in white. Nor in terms of function: three whirl cycles ensure bubbling bathing pleasure and can also be combined with coloured underwater lights. All programmes are operated via a waterproof remote control.

Blue Moon Pool

- Control panel**
- Power cycle**
2 powerful nozzles in the side panel
2 powerful nozzles to massage the back
- Relax cycle**
6 adjustable back massage nozzles
4 rotating foot massage nozzles
- Emotion cycle**
24 Durapearl nozzles arranged in a radial pattern
- Coloured light**
10 LED spotlights with 6 fixed colours and 5 colour programmes

1

Sundeck Pool

- Power cycle**
2 powerful nozzles to massage the back
3 nozzles in the side panel
4 rotating foot massage nozzles
- Relax cycle**
4 rotating foot massage nozzles
3 nozzles in the side panel
6 adjustable back massage nozzles
- Emotion cycle**
24 Durapearl nozzles
- Coloured light**
5 LED spotlights with 6 fixed colours and 5 colour programmes
- Control panel**

2

Duravit pool cycles

Emotion cycle. Combines 3 functions and offers just the right combination or whirl function to suit every mood. The bubbling, foaming bath with a mixture of water and air is relaxing. The system that just uses air is invigorating and revitalising. The fine water jets create a gentle tingling sensation.

Relax cycle. Depending on the shape of the tub, nozzles arranged in different layouts provide a mild, gentle massage for the muscles on either side of the spine and are combined with the whirling jets from the rotojets for an effective foot massage. This cycle is all about lying back, relaxing and leaving worries and cares behind.

Power cycle. Muscular tension is common in the upper back and shoulder area. The large power jets ensure a powerful massage of the shoulder blades and the shoulder itself. Depending on the shape of the tub, the shoulder massage is combined with massage nozzles in the lumbar area or with a powerful foot and side massage.



Pool colour programmes

Energy. In combination with the "Colour Splash" programme 1, users can look forward to a lively experience. With this programme, the invigorating effect of the pure air bubbles released by the Emotion cycle is particularly beneficial.

Balance. Combined with the "Rainbow" colour programme 2, the Relax cycle and the bubbling air-and-water mix of the Emotion cycle help to restore your equilibrium.

Awakening. This programme is particularly recommended in the mornings because, in combination with the "Sunrise" colour programme 3, it gradually increases the massage intensity to prepare your body for the day ahead.

Revival. Select this whirl programme at the end of a busy day, after work or simply to relax; it is ideal in combination with the "Sunset" colour programme 4. It starts with an energetic Power cycle massage and ends with the pure water jet of the Emotion cycle.

Fitness. The "Light pulse" colour programme 5 offers a colourful mix of the different cycles. This programme reflects the diversity of the different cycles.



The comfort bath is like a holiday at home



The anti-aging effect: Mirrorwall, Multibox New, X-Large, Sundeck, SensoWash® & Co., to name just a few examples from the Duravit "Wellness Pampering Program".

The way in which the "golden years" are experienced has changed considerably: Today we are more active, vital, and above all, more relaxed. We draw the power for this from many different sources: healthy nutrition, exercise, wellness options - and not only at the beauty spa, but also in the comfort of our own homes. It's no wonder that so much comfort can await you in your bathroom.

What's it like being 50? You've accomplished a lot in your career and now you can enjoy your free time in a completely different way. You're active, love travel and exercise, and you take advantage of cultural activities. You've also learned to enjoy your precious free time - to kick back, check out and find your center. You now have the time and means to fulfill your dreams and desires. At the top of your wish list: a new, comfortable bath.

Duravit - the comfort brand. There are so many possibilities for improving the comfort of your private bath. Whether a special design upgrade or a small but effective extra, nearly all Duravit products will bring you added value that improves living quality. Just three examples: **(1)** The indoor/outdoor bath sundeck that doubles as a comfortable lounger. **(2)** A practical night light function. **(3)** Comfortable sensor technology instead of a light switch - a feature included with all Duravit bathroom furniture.



You'll find comfortable solutions for your bath here:

- 2nd floor > page 36
- Starck > page 80
- Architec > page 110
- X-Large > page 120
- Paiova > page 186
- Coloured light and whirl technology > page 190
- Sundeck > page 206
- SensoWash® > page 232
- Shower Trays > page 238

"Comfort" is only a word. Its meaning is experienced with increasing age. The bath is a shining example of how well-considered functionality can really help when it comes to physical limitations.



What makes life more comfortable in the bath? This is the question that Duravit is constantly pursuing and constantly answering in new and improved ways. For example: spacious bathtubs with ergonomic 30°-inclined backrests. Practical steps and hand rails. Floor-level bathtubs for seamless transition to a tiled floor. Bathtubs with wooden extensions or anti-slip lamination for a secure grip even when wet. Wheelchair accessible washstands. Toilets with a higher sitting position. Padded containers on wheels are also small, mobile seating options. Mirror and mirror cabinets with integrated lighting and night light function to prevent blinding. And, and, and....

(1) A stunning example of a Duravit brand comfort bath: Wall toilet Comfort, floor-level shower tub with flat drain cover for optimal standing comfort, mirror with integrated lighting, wash stand with foundation, wheeled container. Ceramic: Starck 3, furniture: X-Large. **(2)** The X-Large container on wheels serves not only as a practical storage cabinet, but also as a padded seat - both completely mobile. **(3)** The Starck 3 Comfort wall toilet offers a 5-cm raised seat for extra comfort.



For a long, youthful spa lifestyle. A bath is only comfortable as long as it "lasts". Therefore, a bath from Duravit is possibly the best investment you can make. The "made in Germany" quality of our bathroom furniture is proverbial - our ceramic work is made to last nearly two hundred years. And our designers focus on lasting beauty, not just fashionable gimmicks. The bath stays young, fit and attractive like its user.



Questions about your new comfort bath...

- * **No space?** You wouldn't believe how quickly and easily a spare room or old office can be converted into a wellness bathroom.
- * **Shower, bathtub or both?** Duravit has a wide range of products to suit all tastes, even options for smaller spaces.
- * **Extras?** We admit that extras cost a little more than the standard design. The important questions are: What level of comfort do I need? What kind of life quality would I like to attain? What other kinds of support or help and comfort do I want?
- * **Planning?** You'll want to perfectly plan out your new bath. Our spa specialists are here to help.
- * **Costs?** Your spa specialist will be able to tell you how much your new bath will cost. An initial orientation of the different pricing levels can be found in the index.



Barrier-free showering. Special consultation is particularly important with barrier-free bathrooms in order to ensure that the products used meet the relevant standards and guarantee both practicality and flexibility. DuraPlan is a comfortable shower that fits flush with the floor and is thus the ideal solution for barrier-free bathrooms. With elderly people, many dangerous falls can be prevented simply by eliminating the step into the shower. A fixed shower seat that is tailored to the user's body size can be retrofitted, as can the necessary handles and supports.



Showering safely. All shower trays are also available with the anti-slip coating. Thanks to the transparent but effective coating, the feet gain a more secure hold and, in accordance with the DIN 51097 standard, ensure greater safety when showering. The outlet cover itself is very flat and also ensures a secure footing. The anti-slip coating, which can be optionally applied ex-factory, is durable, easy-care and environmentally friendly.

Lots of extras. **(1)** The Blue Moon range ensures comfort with a bench as entry aid and additional handle. **(2)** The white, upholstered Sundeck steps make it easier to get in and out. **(3)** If you're lying comfortably, you can enjoy a bath even more: the optional neckrest is simply attached to the bathtub with suction pads and is available for the Paiova, Blue Moon and Starck bathtubs.





SensoWash® Starck C + Starck 3

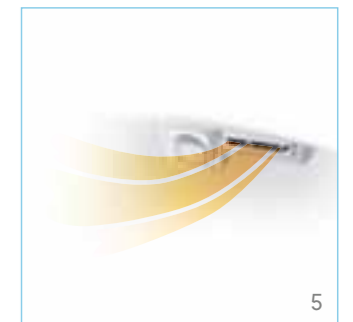
Nothing is as thorough, as hygienic, as natural and as refreshing as cleaning with water. After using the toilet too: this is why Philippe Starck and Duravit developed SensoWash® Starck C, a pioneering innovation in the world of shower-toilet-seats that redefines comfort, quality of life and modern toilet hygiene, from gentle cleaning to pleasant drying, all operated by a remote control. Available for the toilets in the Starck 2, Starck 3 and Darling New ranges. **Would you like to find out more?** www.sensowash.com

sensoWASH®



A new feeling for design, comfort and purity.





When developing SensoWash® Starck C, the focus was very firmly on design: Its designer credentials are evident in the timelessly modern character of its elegant, slimline aesthetics. Ceramic and seat merge to form a harmonious, elegant unit. Irrespective of whether SensoWash® Starck C is combined with the toilets from the Starck 2, Darling New or Starck 3 ranges.

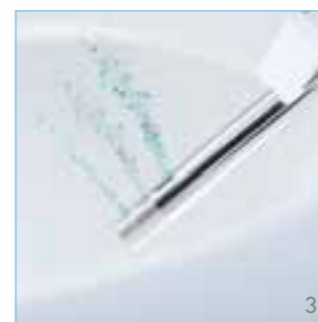
From the comfortable, heated seat to the (1) wireless, intuitive remote control, SensoWash® Starck feels every bit as good as it looks. The functions themselves – (2) Rearwash, (3) Comfortwash, (4) Ladywash, (5) hot-air dryer, seat heating, memory keys for two users – offer maximum comfort and ultimate user-friendliness.



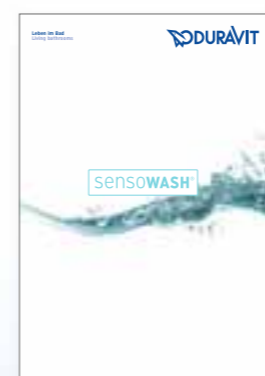
* More information about Sensowash

All dimensions and order numbers

>page 304

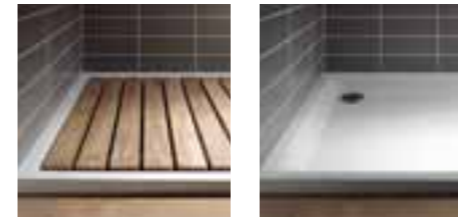


(1) The SensoWash® D-Code functions are operated via the control unit at the side of the toilet seat. **(5)** The ergonomic seat is particularly comfortable. The desired function is selected via the remote control: **(2)** Rearwash, **(3)** Comfortwash or **(4)** Ladywash – pleasantly warm, pleasantly gentle. Water temperature, jet intensity and nozzle position can be individually controlled.



You will find detailed information in the SensoWash brochure. It is available to order or to download from the Service area at www.duravit.com





Shower trays



The models from the Starck range show just how a shower tray can become a design object. Clear and minimalist lines that are aesthetically refreshing and meet all practical requirements. The Starck shower trays are available as built-in models in sizes ranging from 80 x 80 cm to 180 x 90 cm and are suitable for showering together in comfort but also for use with just one shower unit (**left**). The inserts made of solid Teak are an attractive option (**top**).

All Duravit shower trays are also available with the special, transparent, anti-slip coating.



Contemporary forms for contemporary needs: the PuraVida shower tray is available in two different dimensions, in 90 x 90 cm or 120 x 80 cm (small images), both with and without apron (1, 2). It offers customised showering fun for all needs and all architectures.



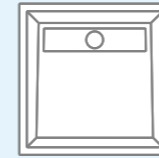
Zero height, zero problem.
The Flush fitting shower tray DuraPlan.

Flush fitting shower trays are appreciated by design-conscious bathroom users. In the past, such shower trays had a tendency to pose installation challenges. Now, Duravit has introduced its solution – which allows for installation after floor tiles have been set. A height-adjustable frame makes it possible to achieve a perfectly-suited space for the tray, while its outlet can be precisely positioned by means of a template. A new and completely watertight drain system prevents the possibility of water damage and if need be, the tray can be removed later to provide access for servicing.

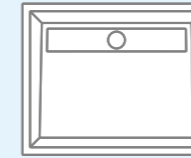
The 2nd floor shower trays, designed by Sieger Design, are available as built-in versions or, on request, with wood panelling in 4 different finishes. All variants are available in sizes from 80 x 80 cm to 180 cm x 90 cm.

* More information about shower trays

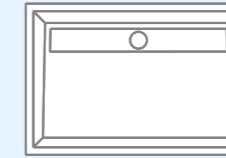
All dimensions and order numbers >page 325/329/340/344
 2nd floor >page 36
 PuraVida >page 24
 Starck 1, Starck 2, Starck 3 >page 80/90/98



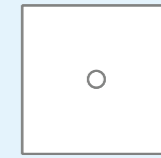
2nd floor*
 800 x 800 mm
 900 x 900 mm
 1000 x 1000 mm



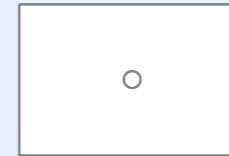
2nd floor*
 1000 x 800 mm
 1000 x 900 mm
 1200 x 1000 mm



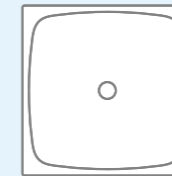
2nd floor*
 1200 x 800 mm
 1400 x 900 mm
 1800 x 900 mm



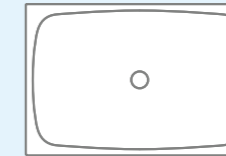
DuraPlan
 800 x 800 mm
 900 x 900 mm
 1000 x 1000 mm
 1200 x 1200 mm



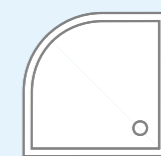
DuraPlan
 900 x 750 mm
 900 x 800 mm
 1000 x 800 mm
 1000 x 900 mm
 1200 x 800 mm
 1200 x 900 mm
 1200 x 1000 mm
 1400 x 750 mm
 1400 x 900 mm
 1600 x 900 mm



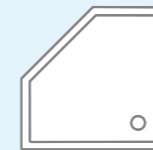
PuraVida
 900 x 900 mm



PuraVida
 1200 x 800 mm



Starck
 900 x 900 mm
 1000 x 1000 mm**



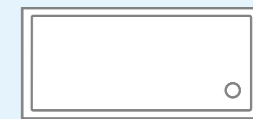
Starck
 900 x 900 mm
 1000 x 1000 mm



Starck**
 800 x 800 mm
 900 x 900 mm
 1000 x 1000 mm



Starck**
 900 x 750 mm
 900 x 800 mm
 800 x 1000 mm
 900 x 1000 mm
 800 x 1200 mm
 900 x 1200 mm
 1000 x 1200 mm



Starck**
 1400 x 700 mm
 1400 x 750 mm
 1400 x 900 mm
 1500 x 700 mm
 1500 x 750 mm
 1600 x 700 mm
 1600 x 750 mm
 1600 x 900 mm
 1700 x 750 mm
 1700 x 900 mm
 1800 x 900 mm

* Also available with furniture panelling

** Starck wooden inserts are available for these shower trays

OpenSpace

The shower partition that enlarges the bathroom.



Design by E00S



A shower enclosure takes up a lot of valuable space in the bathroom – but does it really have to? The E00S group of designers thinks not and therefore developed the innovative OpenSpace shower enclosure that makes the bathroom bigger.



The integrated U-profile compensates for a wall unevenness of up to 18 mm. This is a great advantage when walls are not completely flat, as is commonly the case in older buildings.

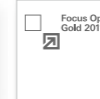


A brilliant chrome frame creates a visual accent that conforms to the contour of the wall. Two large self-locking glass doors are fitted in the frame, in a translucent design or with a mirror on one side. After showering, these doors can simply be "folded" against the wall. This avoids a rail protruding into the room, the tap fittings and shower hose are concealed and the bathroom appears much larger, particularly with mirrored glass.

* More information about OpenSpace

All dimensions and order numbers

>page 335



OpenSpace can be perfectly combined with the flush-fitting DuraPlan shower trays (left), but also with other shower trays and bathtubs. This transparent OpenSpace variant in combination with the Nahho flotation tub can also be folded against the wall after showering – thereby creating more space for the bather.

St.Trop

The steam shower
by Philippe Starck:
wellness in top form.



There are lots of steam showers on the market. But only one designed by Philippe Starck – St.Trop. The steam shower is reduced to the essentials; it is presented as a simple rectangle. The door forms a frame, as with a painting. The inside thus becomes the canvas depicting all kinds of action: showering with a hand-held or overhead shower, steam showers, taking a Kneipp cure or simply relaxing in soft, pleasant light...

* More information about St.Trop

All dimensions and order numbers
Overview of furniture finishes

>page 346
>page 270



The standard stool also adopts the artistic motif and resembles a modern sculpture. The cabin itself is available in high-gloss white and the aluminium door frame can feature any of 27 different Duravit finishes. The 1000 x 1000 mm large steam shower is available as back-to-wall and as corner version, left or right.



Inipi

The sauna for the bathroom and the living area: thanks to its ingenious layout and lots of transparency, the Inipi sauna module harmonises with the atmosphere of both the bathroom and the living area.

The idea of healthy sweating first emerged in Asia as many as 5000 years ago. From there, it spread to Europe and the New World, where the original inhabitants of North America developed their own take on it: "Inipi", a sweat lodge in which hot stones were used to generate the necessary heat. Inspired by this ancient form of sauna, the E00S design team developed an innovative sauna concept for Duravit – compact, transparent and inviting. Inipi's fully glazed front is incredibly chic and particularly effective in the bathroom and living area.

Design by E00S





1 2
3 4



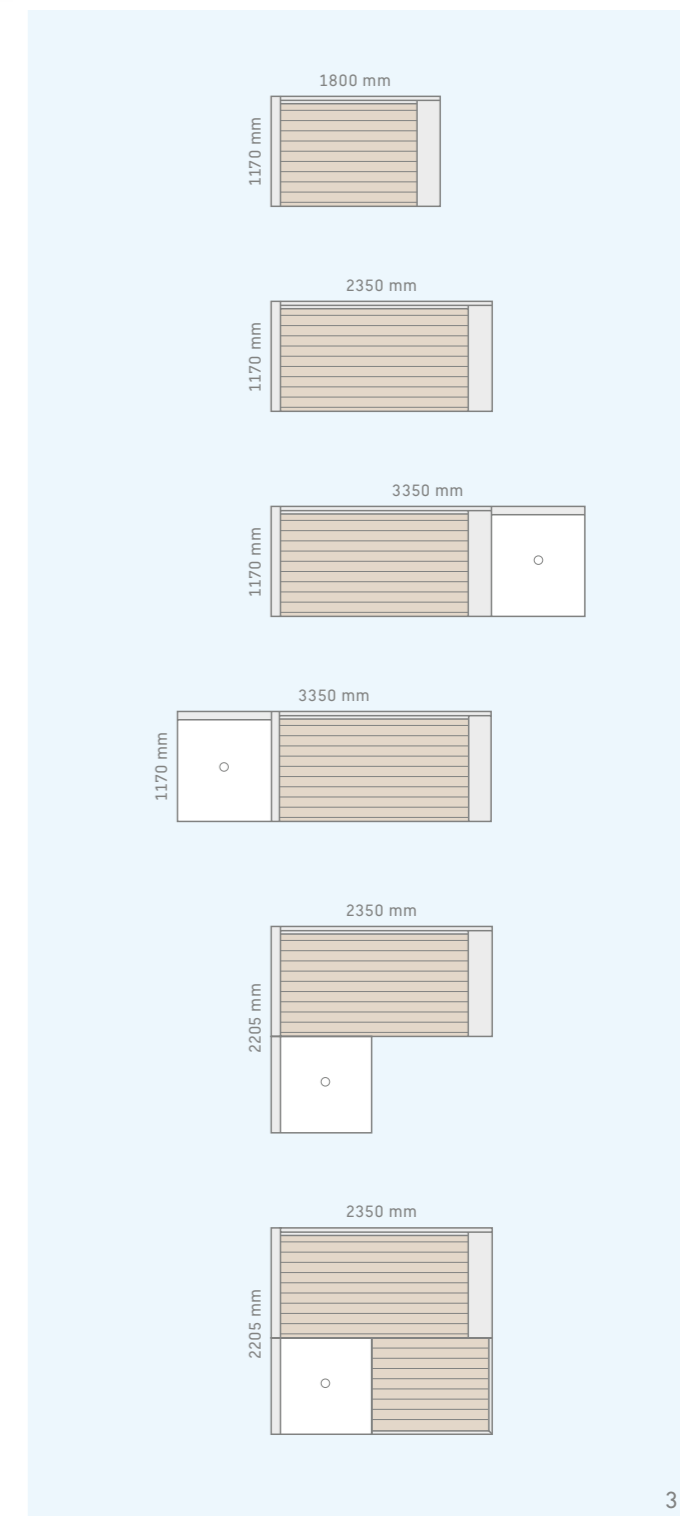
Thanks to its ingenious layout, the compact cubicle, here shown in a width of 1800 mm, offers sauna users plenty of space (1). The 2350 mm wide version (2-4). The large glass front creates a light, airy atmosphere and further enhances the sense of space. The sitting and lying areas, as well as the floor, wall and ceiling covering are made of natural wood. The feeling of calm, clarity and relaxation is supported by the LED coloured light, the "invisible" loudspeaker with radio and the AUX connection together with pre-programmed light-sound-climate scenarios.



* More information about Inipi

All dimensions and order numbers
Overview of furniture finishes

>page 352
>page 270



A remote control unit that looks and feels like a stone – an ode to the traditional Inipi – is available. **(2)** The sauna's functions can also be controlled using a display fitted behind a flap on the outside of the unit. The heater and water pouring container are integrated into the sauna module but remain concealed behind a panel **(1)**. The Inipi sauna is available in two different widths with the addition of the Inipi Ama shower module as a truly refreshing option. **(left + 3)**.

The bathroom in its best light

Bathroom lighting has to meet different requirements: practical light is needed for cosmetic purposes and emotional light to create atmosphere. Ranging from the illuminated mirror cabinet and integrated coloured light programmes to complete lighting concepts, Duravit introduces good ideas for presenting the bathroom in the best light – not only after sunset.

Light has an impact on our psyche. A fact that we can also take into account with interior design. Light not only makes the flowers bloom. The skilled use of light sources can also have a positive and sustained effect on a room's atmosphere – especially in the bathroom, a place for calm and relaxation. By the way, the use of light as design feature is certainly nothing new: as early as in Antiquity, ancient builders incorporated natural sunlight into their designs in order to create certain moods. Today, thanks to modern technology and new materials, the possibilities of light design are more versatile than ever.

The "highlight" in the bathroom - in the truest sense of the word. With a customised lighting concept, 2nd floor meets the different requirements of bathroom users. The illuminated shelf on the reverse of the vanity unit, the tall cabinet with sliding mirror door and interior lighting, and the two-sided revolving mirror are all operated via touch LED (**bottom left and right**). Mirrors also have a nightlight function – as does the Multibox New mirror cabinets (**top right**).

You will find lighting systems here:

2nd floor	> from page 36
Fogo	> from page 48
Starck	> from page 80
Inipi	> from page 252
Sundeck	> from page 206
Blue Moon	> from page 216



From mirror cabinets to saunas: with good ideas in all manner of product areas, Duravit brings functional and pleasant light into the bathroom.



Useful light for everyday bathroom life. The topic of "light in the bathroom" is a common feature of all Duravit product areas. Starting with the extensive range of mirrors and mirror cabinets featuring intelligently integrated lighting elements that prove extremely helpful on an everyday basis, also with cosmetic tasks. The translucent glass shelf in the Fogo mirror cabinet (image bottom left) illuminates the content and area around the cabinet with an indirect, pleasant light. The clip-on light is a practical feature during facial-care routines.

(1) Mirror from the Starck programme with softly illuminated light square. (2) The clip-on light of the Fogo mirror cabinet emits a no-glare light. (3) A one-off – the Starck mirror with four illuminated edges.



Illuminating, showing the way, creating atmosphere: light has a variety of different functions in the bathroom. Functional lighting ensures the right visibility for everyday activities, for example, when shaving or applying make-up. When it comes to lighting, the innovative Mirrorwall ensemble comprising mirror, light, bathroom furniture and washing area ensemble proves the perfect solution to all requirements (see also p. 70): a 500 lux clip-on lamp with specially developed reflecting "sail" provides perfect illumination of the face for those from 160 to 195 cm in height. In addition, two rotatable LED light columns light up the mirror perfectly and illuminate the room; the light shines exactly where it is needed. The columns can also be used for changing coloured light programmes. With Mirrorwall, the practical and energy-saving night-light mode is ideal for lighting the way to the bathroom during the night without waking you up completely.

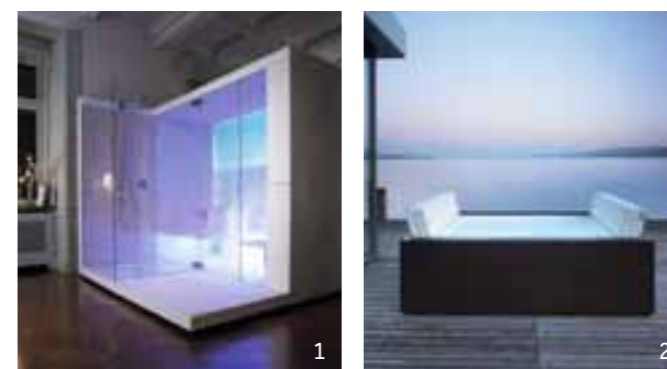


Atmospheric extra: the LED strip at the side creates indirect light for changing coloured-light programmes.



The Blue Moon pool with integrated underwater LEDs.

Atmospheric light promotes wellness. When used correctly, light and coloured light can contribute to relaxation and well-being and it is not without reason that they are a valuable part of some therapies. What could be more natural than to combine these beneficial properties with relaxing Duravit products? Underwater LEDs in bathtubs, whirltubs and pools are used to create a special atmosphere, and also as part of sophisticated coloured-light programmes. The Inipi sauna also basks in wonderful light, flooded in complete coloured-light scenarios.



(1) With the Inipi sauna module, the cubicle is immersed in coloured light generated by lights on the rear wall. (2) The Sundeck pool with integrated underwater LEDs.

Tips for optimum bathroom lighting...

- * **Function and emotion:** The lighting should meet two different requirements. 1. Give the eyes sufficient support for difficult visual tasks, for example during facial care. 2. Create a positive mood and atmosphere, for example so that the bathroom user has a pleasant start to the day or can de-stress whilst taking a relaxing bath in the evening.
- * **Optimum illumination:** White functional light should illuminate the whole face – uniformly and without casting shadows or dazzling. Lights with approx. 500 lux are ideal; this also corresponds to optimum workplace illumination.
- * **Why night light?** With a light brighter than 200 lux, the body enters waking mode. It is better to use a special LED night light that provides sufficient orientation and safety when it is dark without waking the body fully from sleep. Duravit's SensoWash® (left), Mirrorwall, Multibox New, PuraVida and 2nd floor are all fitted with a night light.



A wealth of ideas



Washbasins, WCs, bidets and urinals treated with **WonderGliss** stay clean and attractive longer. After the initial firing, WonderGliss is baked into the ceramic by means of a special method.



The floor-standing washout WC with Cascade flushing technology and Vario outlet were designed for a wide variety of different connection types and dimensions. Whether vertical or horizontal outlet, almost all connections are easy to install.



Glazed flushing rim. All Duravit WCs are fitted with a glazed and easy-care flushing rim, which prevents the accumulation of dirt and residue and guarantees the optimum flow of water over the entire flushing surface.



Holds and holds and holds... Duravit's patented Durafix attachment system is particularly quick and easy to install and also completely invisible. It is used with many wall-mounted WCs and bidets, including the Starck 1, Architec and PuraVida ranges. The system was further enhanced for the Starck 3 wall-mounted toilet and is now completely invisible. This system is also available for DarlingNew, Starck 2 and Esplanade. The result is a completely smooth ceramic surface without visible assembly holes.



Semi-pedestal attachment. Thanks to the quick-fitting system, almost all Duravit semi-pedestals can be easily fitted to their matching washbasins and handrinse basins. And, thanks to the simple and sensible attachment technology, the semi-pedestal fits flush against the washbasin and wall.



Washdown technology is the flushing technology associated with the lowest amount of unpleasant odors.



When space is at a premium. The Duraplus compact wall-mounted toilet with a minimum projection of 46 cm, the compact wall-mounted toilet from the Starck 3 range with a projection of 48.5 cm and the new D-Code wall-mounted toilet with a projection of 48 cm.



The Comfort wall-mounted WC **with raised seating position** offers real progress in terms of comfort. At 50 mm higher than standard WCs, it can be installed without modifying the inlet and outlet and offers both the tall and the elderly greater comfort when sitting and standing up.



Dual Flush. With the two-volume technology (3 or 6 liters), a household of four can save more than 40,000 liters of water/year. Press the small button for the small flush volume. A minimum flushing volume washes away liquid waste in a clean and hygienic manner. If you wish to use the full water volume, simply press the large button.

The **target fly** positioned in the urinal encourages a more accurate aim.



A gentle tap is all it takes and the WC seat lowers automatically and closes gently and quietly. **SoftClose** is available as standard with the 2nd floor, Vero and Starck 1 WCs, as well as with many other ranges.

What fantastic furniture!



Three cheers for craftsmanship. Technologically-advanced features are certainly coveted when it comes to new bathroom furniture. What makes Duravit products unique, though, is the fact that all finishing touches on these pieces are performed by hand. The care that Duravit applies to the manufacture of its products is also reflected in the ongoing, meticulous quality controls that are carried out both during and after completion of all manufacturing stages, including: inspection of incoming goods, production, final inspection, functional testing.



Precision work. It's important that furniture subjected to great wear and tear is made with the highest precision. In a damp environment like the bathroom, every millimeter counts. Duravit bathroom furniture is characterized by high precision and careful craftsmanship. A defined miter joint (the right-angled connection between two parts) significantly increases the stability of the furniture. The use of a special adhesive protects against water.



A unified whole. The undercounter washbasins from the Architec, Santosa, Starck 3 and Vero ranges are inserted into the Duravit wooden console from below. An innovative technology allows ceramic and wood to be bonded without jointing – a transition that both looks and feels seamless. As there are no joints it is easy to clean.



It's like magic! Everyone knows what it feels like when your hands are wet – or even worse, dirty – and you have to switch on the light. This is no longer an issue thanks to the Duravit mirror with integrated lighting. Specially-developed for use in the bathroom, the mirror with integrated lighting features a sensor control that activates the light when it detects hand movement. A fantastic idea: light controlled like magic – and no more dirty light switches. Mirrors/mirror cabinets with sensor control are available for the 2nd floor and Fogo ranges.



Please handle with care. We think that life is loud enough. This is why Duravit uses an automatic closure system with end damper for its drawers, which ensures that drawers close particularly smoothly and soundlessly. The drawers are braked to the last 10 cm and then close automatically. And that's not all: even if you inadvertently use a little too much force when opening or closing the drawer, it comes to a slow and gentle stop.



Don't be dazzled! For Duravit, optimum light management also includes non-glare lighting. Mirrorwall features special reflectors that allow the light to shine at the most comfortable angle and that ensure optimum lighting without glare. Inside the cabinets, illuminated glass shelves (e.g. with Fogo) or fluorescent tubes also ensure good, non-glare lighting.



Everything in its place! Fully extendible and removable without tools, the drawers in Duravit bathroom furniture not only enable the user to make maximum use of their interiors, they also facilitate cleaning. Many pieces of furniture from the 2nd floor, Fogo, Happy D. and X-Large ranges come standard with interior drawers that feature clever plastic box compartments and individually adjustable glass divisions. This creates more space, provides added practicality and allows for easy maintenance.



As if asleep. There's no getting around the fact that some of us have to get out of bed during the night to answer the call of nature. However, one thing we can control during those wee small hours is the amount of light we use to illuminate our path to the bathroom. "Night mode," a practical feature integrated into many of Duravit's illuminated mirrors and mirror cabinets, allows users to do just that: it lights the way to the bathroom during the night without being overly-bright or imposing. And, a key benefit: this feature saves valuable energy.

Bathtubs in detail



Two bathtubs with generous depth. Anyone who enjoys taking a bath knows it's most enjoyable when you're deeply – and comfortably – submerged in the water. This is why Duravit offers very deep bathtubs. Blue Moon is 510 mm deep. Onto is an amazing 560 mm deep and – and each guarantee that the entire body is deeply submerged during a bath. The Blue Moon bathtub overflow is covered by a clever wood or acrylic insert.



Let there be coloured light! Colour has a considerable impact on our sense of wellbeing. As such, there are even more benefits to enjoying coloured underwater light in Duravit bathtubs and whirlpools fitted with LED spotlights. White light, six colours and five light programmes can be both selected and dimmed via remote control. With the Combi-L whirlpool system, it is possible to select either a continuous colour or a combination of all colours via the control panel on the bathtub's rim.



Natural beauty. The Duravit universal bathtub panelling with wood finish is a particularly attractive idea. Held in place via the innovative EasyClick (small illustration) connection system, it can be easily removed at any time, e.g. for maintenance or repair work. Offered in different wood finishes, the panelling is available for installation in corners, niches and in front of the wall for bathtubs from the Starck, Vero and 2nd floor ranges.



Modelled after nature. The waterfall tap for the 2nd floor range is a good example of how wellness and nature are related – and also an example of how attractive functionality can look. A simple right angle, harmoniously integrated into the bevel, allows the water to flow in a broad, flat surge into the bathtub. And it's no coincidence that it evokes images of a waterfall in untouched nature.

All Duravit shower trays are also available with the special, transparent, anti-slip coating.



Plugs. The old bath plug is an element of the past. Thanks to the push-open technology from Duravit, the drain outlet is opened and closed via a simple tap of the foot. Duravit offers baths with push-open technology for Sundeck, Starck, Blue Moon and 2nd floor ranges, the latter of which features an "invisible" outlet since it is covered with a sanitary acrylic insert.



Multi-functional. The cover is what makes the free-standing, mobile Sundeck bathtub so special. Sundeck is covered in high-quality marine-like fabric (customary in yacht-building) that serves several functions, including keeping the bathwater warm until you climb in. Folded back, the cover provides the bather with a comfortable headrest. Folded out, it becomes a relaxation deck and storage shelf. And—all this comes complete in an elegant, maritime look. Welcome aboard!!



Overflows are allowed. The all-around overflow rim on the Sundeck and Starck bathtubs offers a particularly pleasant and carefree bathing experience. Like a moat running around its perimeter, the overflow channel allows for water to be filled to the very top of the bathtub. Completely immersed in wonderfully warm water, the bather only has to switch off, dream and enjoy the bath...because after all, it doesn't matter if it overflows!



The tub is filled almost silently from below **via the base inlet**. The minimalist design is at home in any bathroom architecture, the water inlet can be controlled by any standard tap fitting.

Authentic design

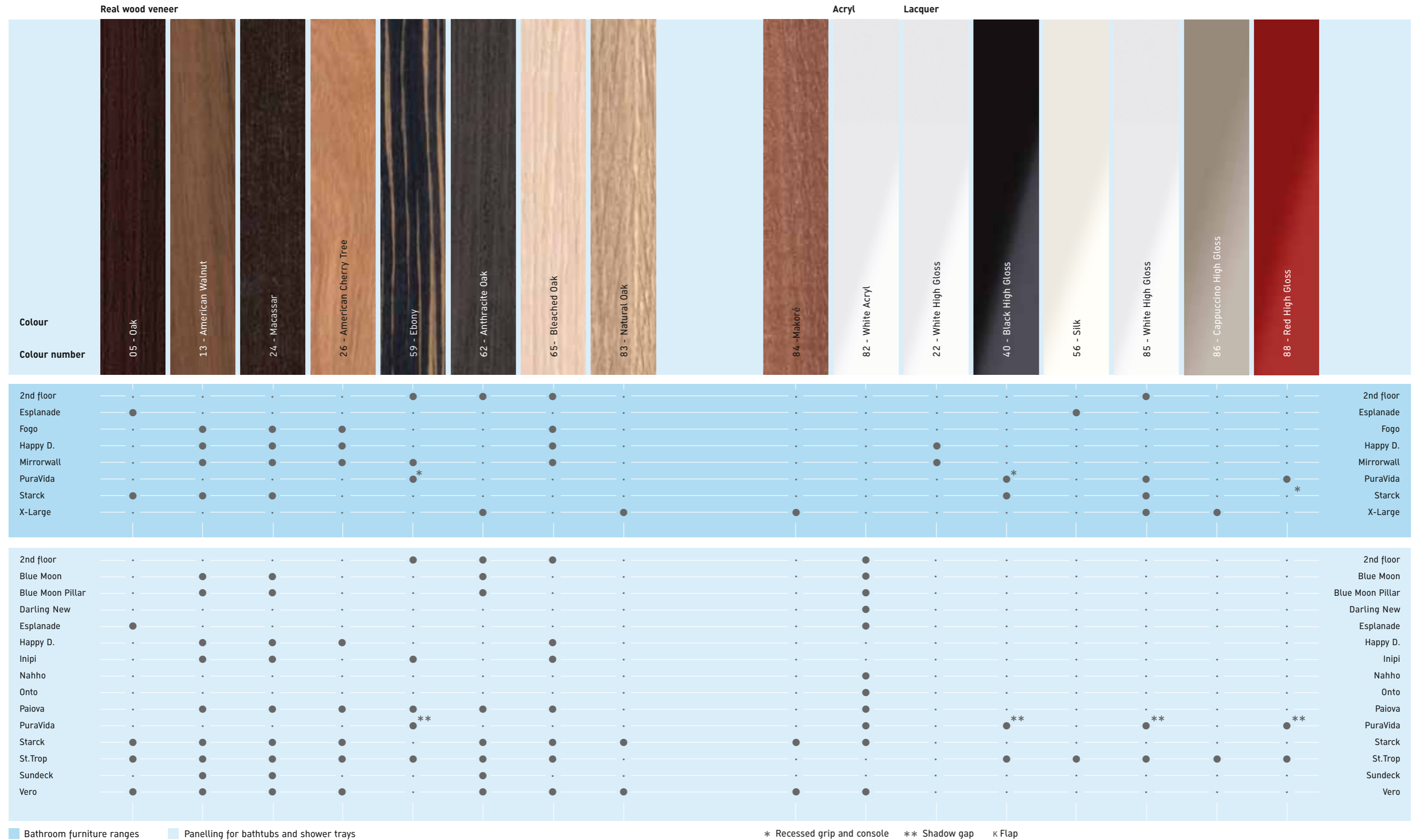
Wood decor consists of a natural-looking decor layer soaked in melamine resin and several support layers. These are compressed to form a robust surface that is light and UV-resistant, as well as easy to clean. The ABS profile is attached to protect the edges; it is scratch- and impact-resistant. The wood decor is machine-made to guarantee that it will retain its look for years to come.

	Outdoor (Decor)										Indoor (Decor)										
Colour	Outdoor (Decor)										Indoor (Decor)										
Colour number	01 - Cherry Tree	02 - Wengé	04 - Teak	14 - Terra	15 - Spring	18 - White Matt	19 - Beach Matt	22 - White High Gloss	28 - Wengé	29 - Azur	31 - Pine Silver	37 - Aluminium White	43 - Basalt Matt	49 - Graphite Matt	50 - Garnet Red Matt	51 - Pine Terra	52 - European Oak	53 - Chestnut Dark	67 - Rosewood	70 - Aluminium	
2nd floor																					
Darling New				●	●	●				●											
Happy D.																					
Mirrorwall																				●	
Ketho													●	●	●						
Onto													●				●	●			
PuraVida																					●*
X-Large			●																		
2nd floor																					●
Blue Moon	●	●	●																		
Blue Moon Pillar			●																		
Darling New				●													●				
Inipi																					
Nahho									κ												
Onto																	●	●			
Paiova			●																		●
PuraVida																					●**
Starck			●										●	●	●						
St.Trop			●	●									●	●	●	●	●	●	●		
Sundeck	●	●	●																		
Vero			●											●	●	●					

 Bathroom furniture ranges
 Panelling for bathtubs and shower trays
 * Recessed grip and console
 ** Shadow gap
 κ Flap

The natural feel-good factor

A veneer comprises thin slices of wood that are produced either by sawing, cutting or peeling the trunk of a tree. They are then adhered to a substrate. As with every tree, each real wood veneer is a unique piece of nature. Every piece of veneered furniture is thus unique and the differences in structure and colour indicate the distinctiveness of the materials used. With their great aesthetic appeal, real wood veneers give our bathroom furniture a high-quality look and are also warm and pleasant to the touch. To ensure that this remains so for a long time to come, the surface of the wood is also protected with a layer of melamine resin. Painted surfaces have several layers of paint to guarantee a particularly high-quality look and finish.



It is not without reason that the name Duravit is derived from the word 'durability'.

However, durability and high product quality can only be achieved when certain standards are met with regard to the responsible choice of material, careful workmanship and attention to detail. All with one aim: we want you to enjoy our products for a very long time. All technical details – sizes, variants and dimensions – are listed on the following pages.

More information?

www.duravit.co.uk

www.duravit.com.au

Sanitary ceramic – extremely high-performance and resilient

The basic ceramic mass consists of the natural raw materials clay, kaolin, quartz and feldspar. Quartz, chalk, feldspar and the mineral stone dolomite are mixed to make the glaze. The extreme high temperature resistance allows a firing temperature of approx. 1280°C. This results in a very high level of hardness, which is particularly advantageous in public sanitary facilities. The hygienically smooth surface glaze is wear and scratch-resistant, easy-care and thus ideal for use in the health sector. Sanitary ceramic is kind to the skin, heat resistant and lightfast. The WonderGliss surface finish keeps washbasins, toilets and bidets attractive and clean for a long time and is made exclusively from raw materials that are not harmful to health.

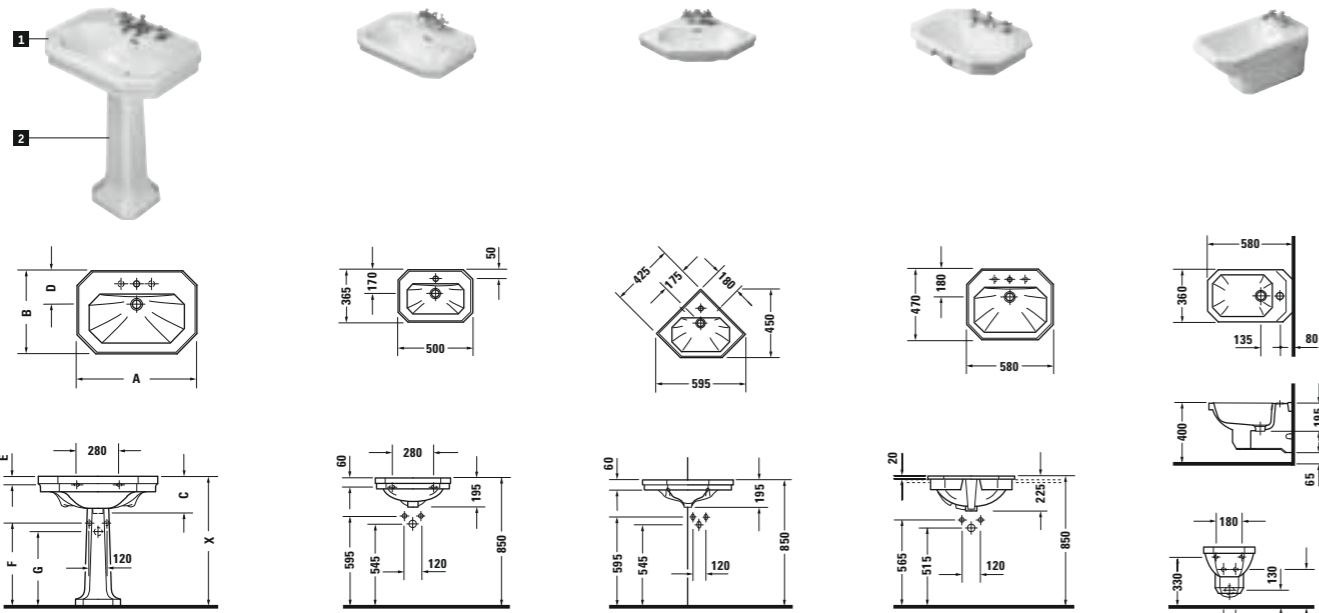
Acrylic – a material with attractive properties

The advantage of acrylic is its warm, pore-free and smooth surface. It is pleasant to the touch and the user immediately feels at ease. With its white shimmering gleam, the material harmonises with all of the other ceramic objects in the bathroom and ensures continuity of design. The bathtubs can be elegantly combined with furniture panelling thus forming a link with the bathroom furniture. The user can rest assured knowing that the acrylic bathtub will retain its colour throughout its lifetime. The material is coloured throughout, UV-stable and colourfast. A bathtub made from sanitary ceramic is not only easy to install, it is also resistant to almost all conventional cleaning agents.

Wood – brings the bathroom together

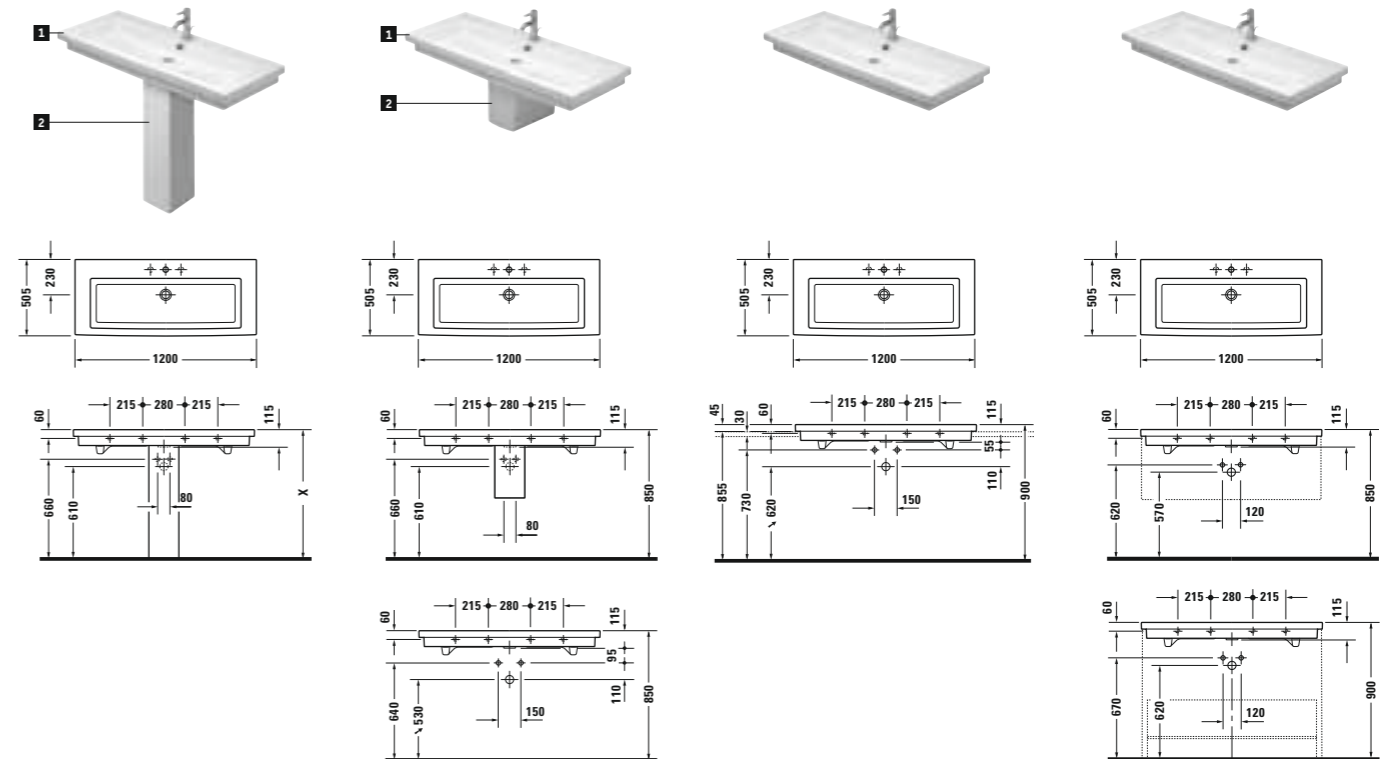
Wood is comfortable, elegant and boasts particularly easy-care properties. This is why warm wood tones are increasingly making their way into the bathroom. With vanity units and wooden panelling, the washbasin and bathtub themselves become pieces of furniture. They are complemented by wall cabinets, wall-mounted shelves and mobile storage units. This creates an integral concept that includes and brings together all conceivable aspects of the bathroom. To underscore the welcoming aspect in the bathroom, Duravit invests in a range of different real-wood veneers, as well as a variety of painted and décor surfaces. Bathroom furniture is manufactured specifically for use in this application area and is resistant to splashwater and increased humidity. The edges are PVC-free and water resistant. The surfaces are sealed with extreme care to make them water-repellent.

The Bathroom magazine is printed on paper from sustainably managed forests. Another contribution to environmental protection.

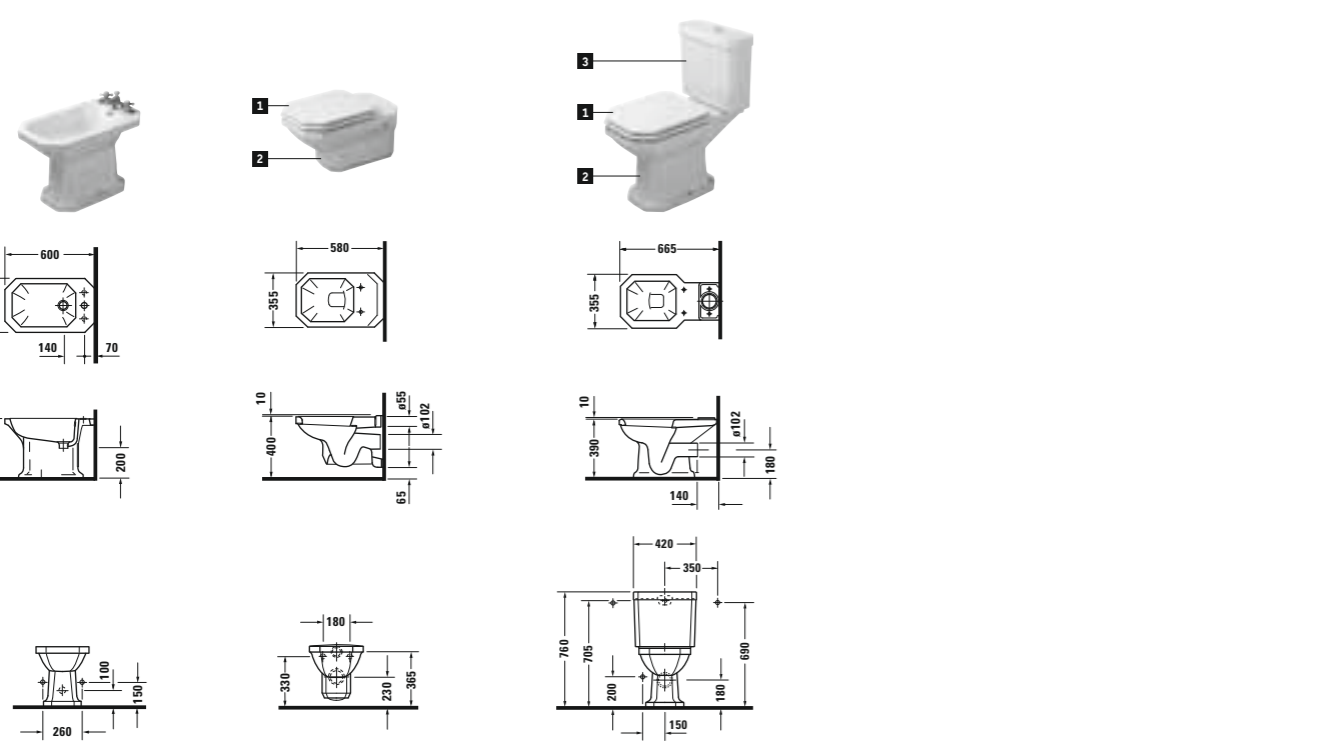


	A	B	C	D	E	F	G
800	800	550	245	225	55	545	495
700	700	500	245	210	50	545	495
600	600	410	200	175	50	590	540

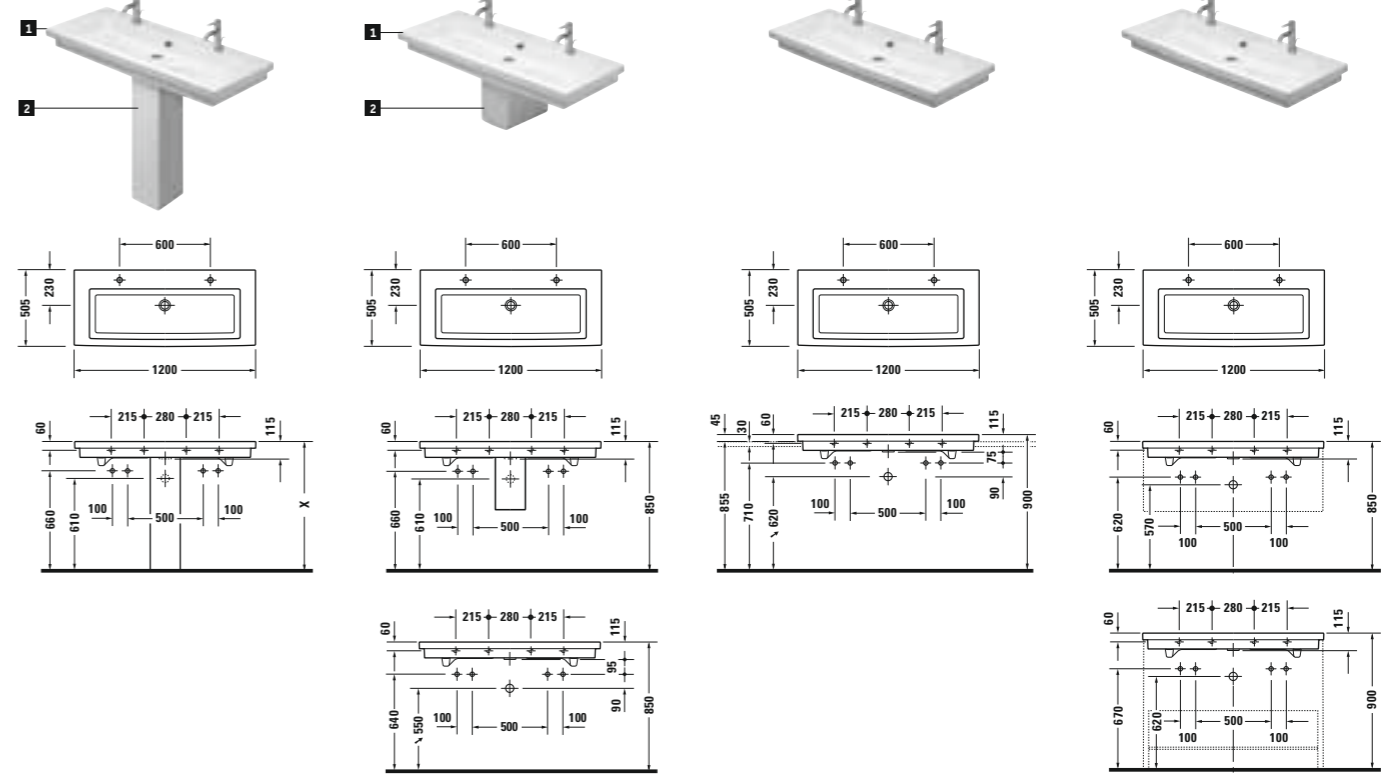
- 1** # 043880000 ● ● ● ●
 - # 043880030 ● ● ● ● ●
 - # 043870000 ● ● ● ● ●
 - # 043870030 ● ● ● ● ●
 - 2** # 085790000 ● ● ● ● ●
 - # 043860000 ● ● ● ● ●
 - # 043860030 ● ● ● ● ●
 - 2** # 085791000 ● ● ● ● ●
- # 078550000 ● ● ● ● ●
 - # 079342000 ● ● ● ● ●
 - # 047658000 ● ● ● ● ●
 - # 047658030 ● ● ● ● ●
 - # 026610000 ● ● ● ● ●



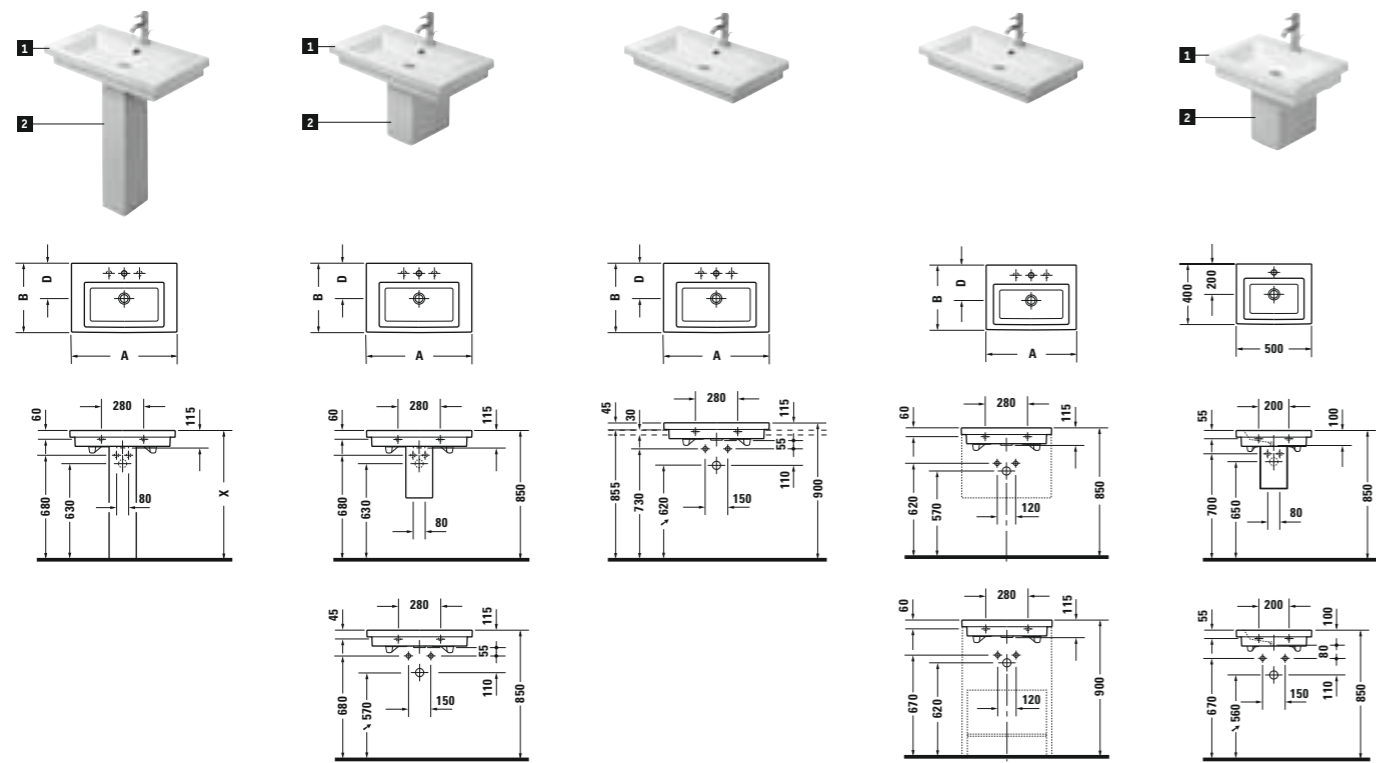
- 1** # 049112000 ● ● ● ● ●
- # 0491120030 ● ● ● ● ●
- # 0491120060 ☒ ● ● ● ● ●
- 2** # 0863190000 ● ● ● ● ●
- # 0491120000 ● ● ● ● ●
- # 0491120030 ● ● ● ● ●
- # 0491120060 ☒ ● ● ● ● ●
- # 0857140000 ● ● ● ● ●
- # 0491120027* ● ● ● ● ●
- # 0491120025* ● ● ● ● ●
- # 0491120028* ☒ ● ● ● ● ●



- # 026710000 ● ● ● ● ●
- 1** # 0064810000 ● ● ● ● ●
- # 0066610000 ● ● ● ● ●
- # 0062210000 ● ● ● ● ●
- 2** # 0182090000 ● ● ● ● ●
- 1** # 0064810000 ● ● ● ● ●
- # 0066610000 ● ● ● ● ●
- # 0062210000 ● ● ● ● ●
- 2** # 0227090000 ● ● ● ● ●
- 3** # 0872210005 ● ● ● ● ●

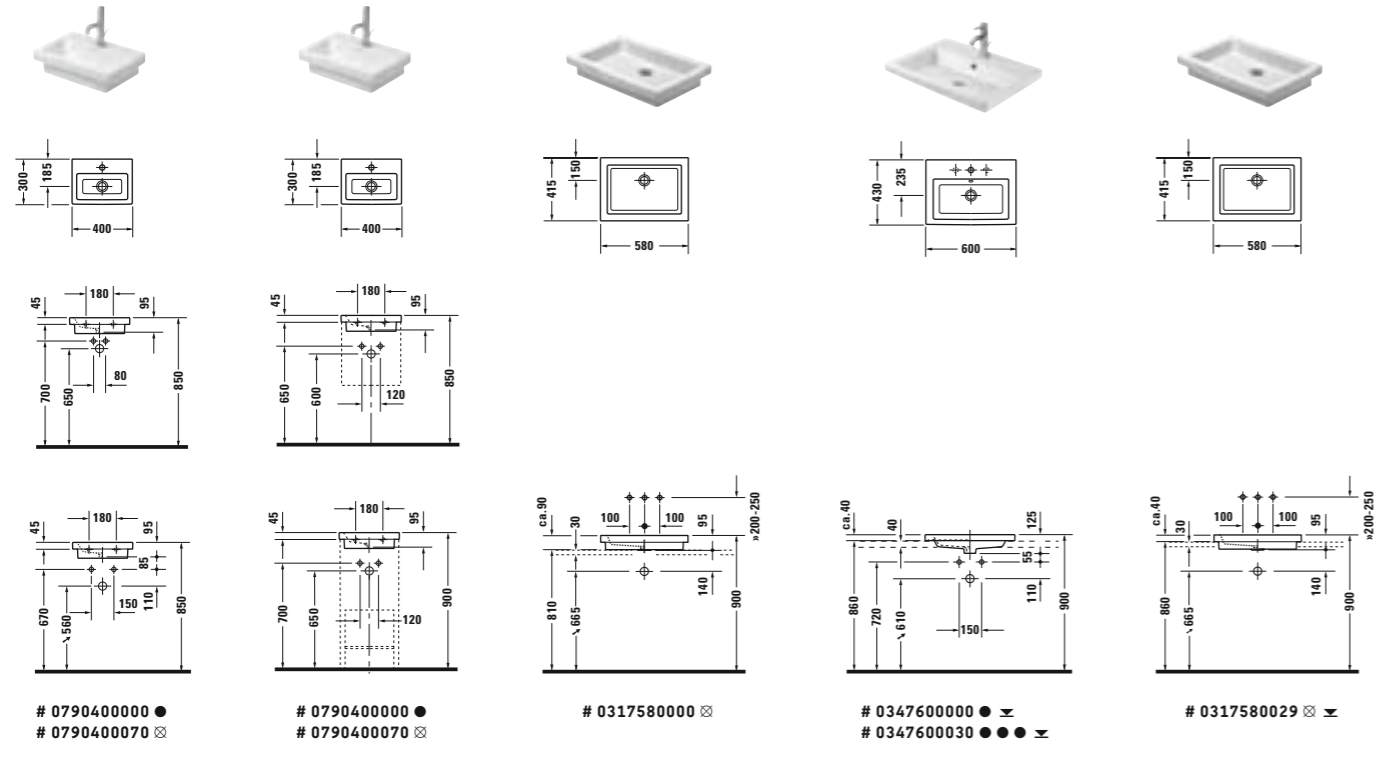


- 1** # 0491120024 ● ● ● ● ●
- 2** # 0863190000 ● ● ● ● ●
- # 0491120024 ● ● ● ● ●
- 2** # 0857140000 ● ● ● ● ●
- # 0491120026* ● ● ● ● ●
- # 0491120024 ● ● ● ● ●

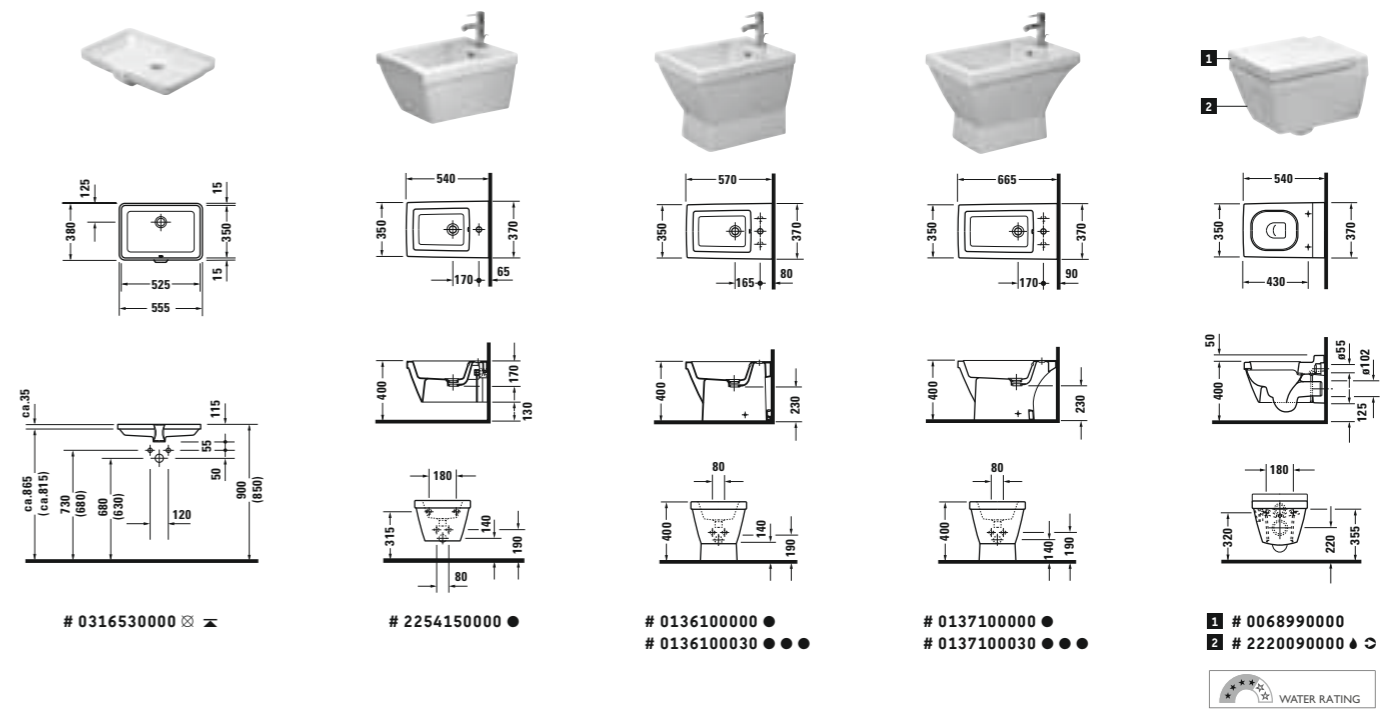


A	B	D
800	800	500
700	700	460
600	600	430

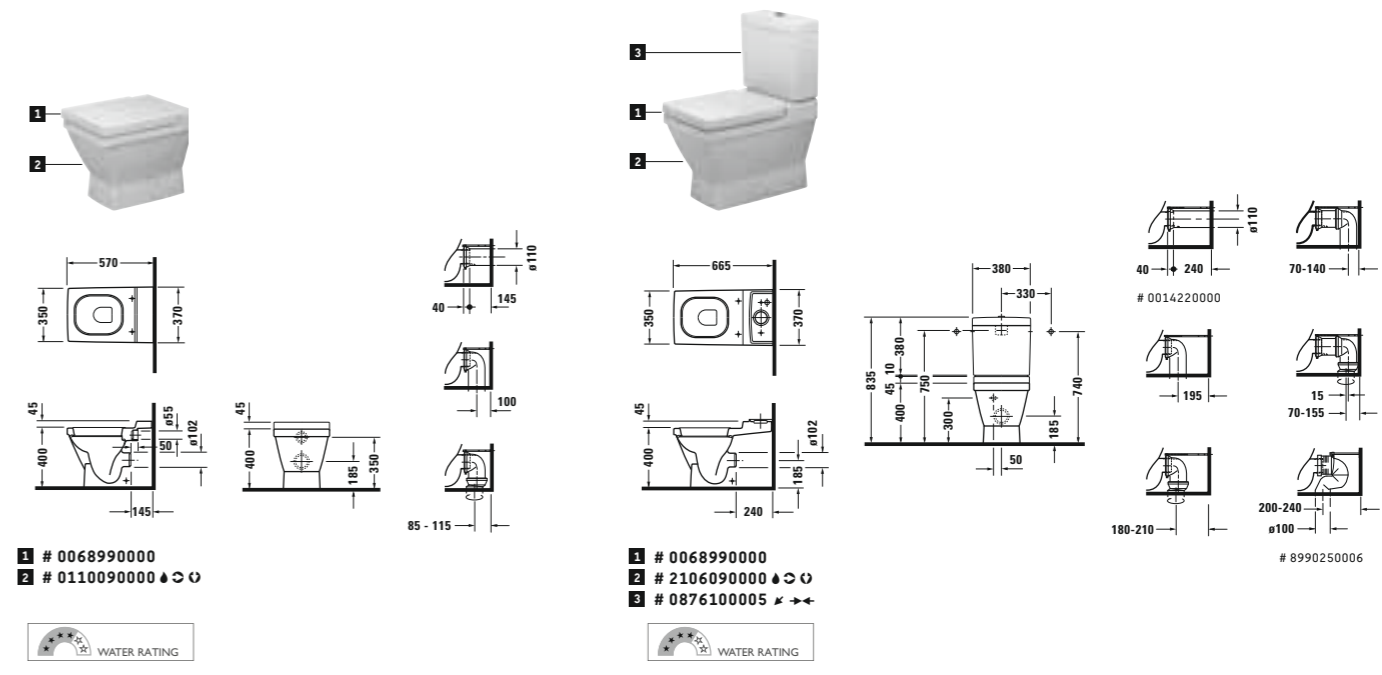
- # 0491800000 ●
 - # 0491800030 ●●
 - # 0491800060 ☒
 - # 0863190000
 - # 0491700000 ●
 - # 0491700030 ●●
 - # 0491700060 ☒
 - # 0491600000 ●
 - # 0491600030 ●●
 - # 0491600060 ☒
 - # 0863180000
- # 0491800000 ●
 - # 0491800030 ●●
 - # 0491800060 ☒
 - # 0857140000
 - # 0491700000 ●
 - # 0491700030 ●●
 - # 0491700060 ☒
 - # 0491600000 ●
 - # 0491600030 ●●
 - # 0491600060 ☒
 - # 0857160000
- # 0491800027* ●
 - # 0491800025* ●●
 - # 0491800028* ☒
 - # 0491700027* ●
 - # 0491700025* ●●
 - # 0491700028* ☒
- # 0491800000 ●
 - # 0491800030 ●●
 - # 0491800060 ☒
 - # 0491600000 ●
 - # 0491600030 ●●
 - # 0491600060 ☒
- # 0790500000 ●
 - # 0790500070 ☒
 - # 0857130000



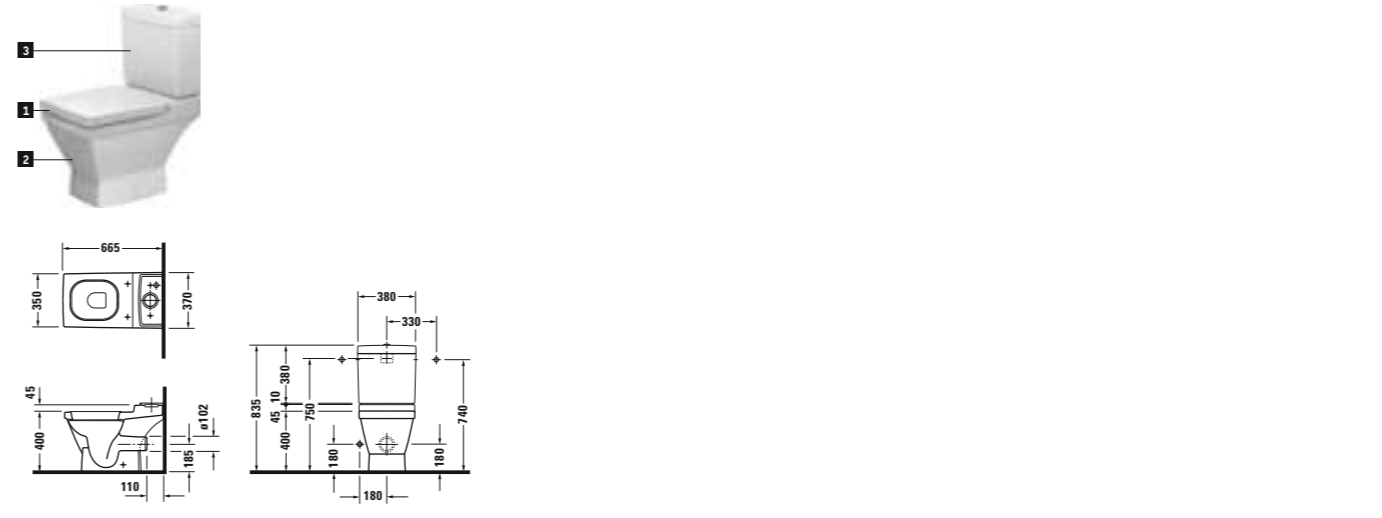
- # 0790400000 ●
 - # 0790400070 ☒
- # 0790400000 ●
 - # 0790400070 ☒
- # 0317580000 ☒
- # 0347600000 ●☒
 - # 0347600030 ●●●☒
- # 0317580029 ☒☒



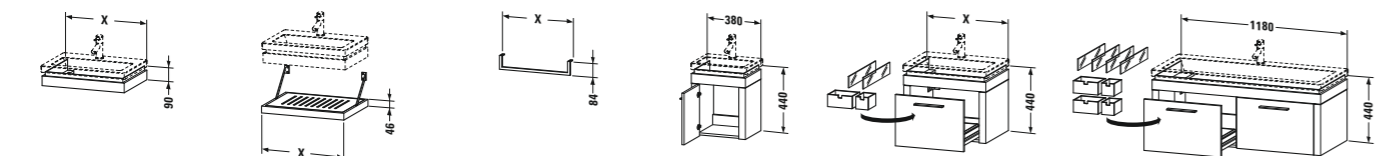
- # 0316530000 ☒☒
- # 2254150000 ●
- # 0136100000 ●
- # 0136100030 ●●●
- # 0137100000 ●
- # 0137100030 ●●●
- # 0068990000
- # 2220090000 ●☒☒



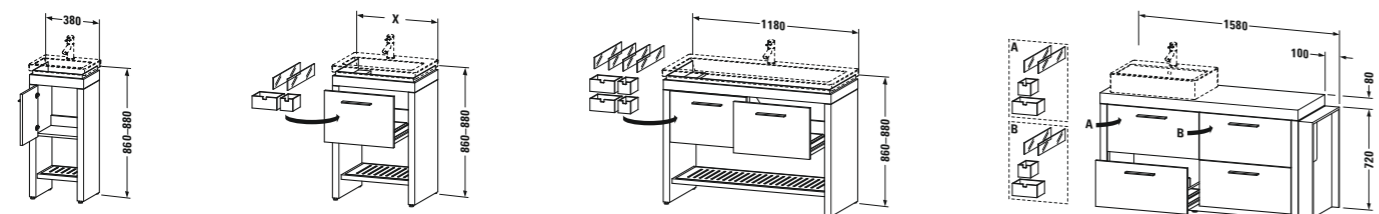
- # 0068990000
 - # 0110090000 ●☒☒
- # 0068990000
 - # 2106090000 ●☒☒
 - # 0876100005 ☒☒☒



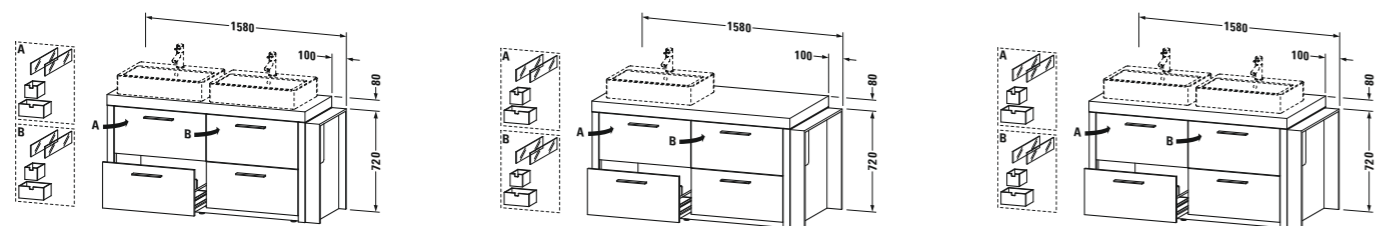
- # 0068990000
 - # 2107090000 ●☒☒
 - # 0876100005 ☒☒☒
- not available in Australia and New Zealand



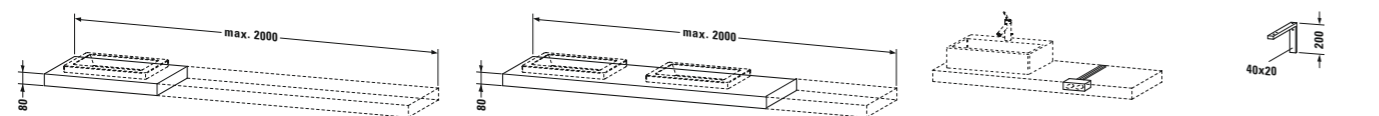
- # 2F 6405
↔ 380 mm, ↗ 290 mm
→ # 079040
- # 2F 6406
↔ 580 mm, ↗ 420 mm
→ # 049160
- # 2F 6407
↔ 780 mm, ↗ 490 mm
→ # 049180
- # 2F 6408
↔ 1180 mm, ↗ 490 mm
→ # 049112
- # 2F 6440
↔ 380 mm, ↗ 270 mm
→ # 6405
- # 2F 6441
↔ 580 mm, ↗ 400 mm
→ # 6406
- # 2F 6442
↔ 780 mm, ↗ 440 mm
→ # 6407
- # 2F 6443
↔ 1184 mm, ↗ 440 mm
→ # 6408
- # 2F 9985, ↔ 500 mm
2F 9986, ↔ 1000 mm
Towel rail
- # 2F 6445 L/R
↗ 290 mm
→ # 079040
- # 2F 6446
↔ 580 mm, ↗ 420 mm
→ # 049160
- # 2F 6447
↔ 780 mm, ↗ 490 mm
→ # 049180
- # 2F 6448
↗ 490 mm
→ # 049112



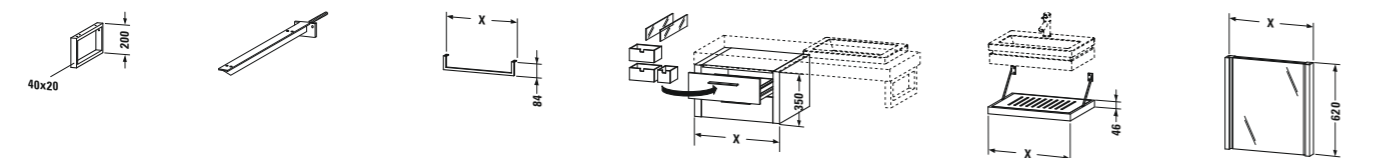
- # 2F 6455 L/R
↗ 290 mm
→ # 079040
- # 2F 6456
↔ 580 mm, ↗ 420 mm
→ # 049160
- # 2F 6457
↔ 780 mm, ↗ 490 mm
→ # 049180
- # 2F 6458
↗ 490 mm
→ # 049112
- # 2F 6424 L/R*
↗ 580 mm
→ 2nd floor # 034760
Vero # 031555, 045250, 045260



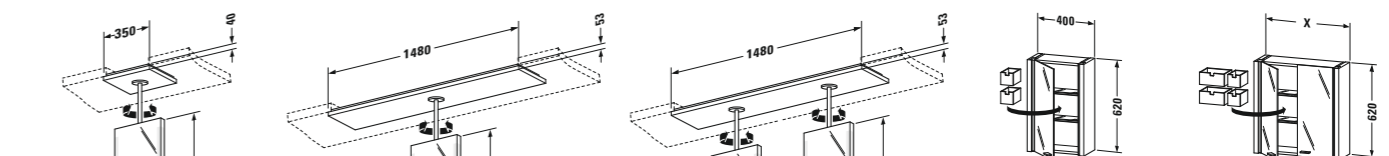
- # 2F 6425 L/R*
↗ 580 mm
→ 2nd floor # 034760
Vero # 031555, 045250, 045260
- # 2F 6426 L/R* ⊕ 2 x 21 W
↗ 810 mm
→ 2nd floor # 034760
Vero # 031555, 045250, 045260
- # 2F 6427 L/R* ⊕ 2 x 21 W
↗ 810 mm
→ 2nd floor # 034760
Vero # 031555, 045250, 045260



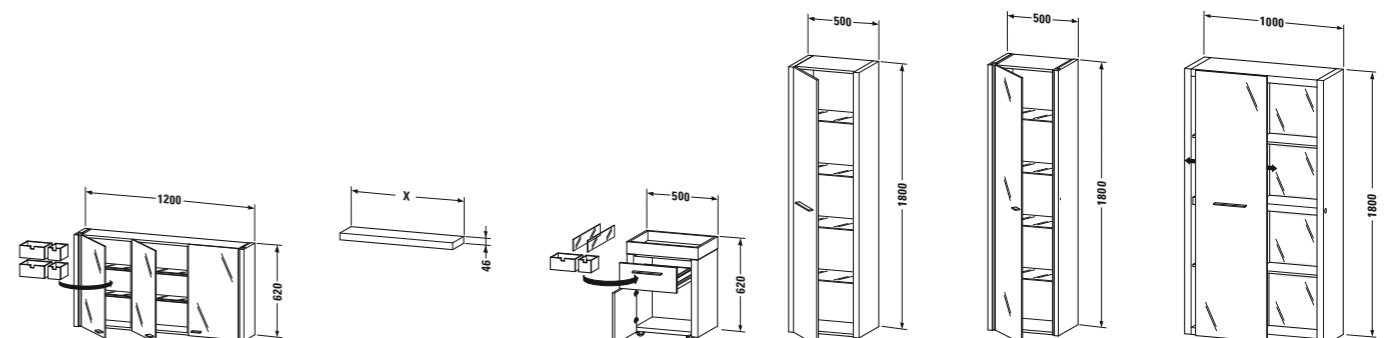
- # 2F 856C
↗ 550 mm
Variable console
- # 2F 858C
↗ 550 mm
Variable console
- # 2F 9907
Double socket
- # 2F 9902
↗ 425 mm
Console support-bracket



- # 2F 9903
↗ 480 mm
Console support-towel rail
- # 2F 9926
↗ 420 mm
Console support hidden
- # 2F 9983, ↔ 500 mm
2F 9984, ↔ 1000 mm
↗ 14 mm
Towel rail
- # 2F 9275, ↔ 400 mm
2F 9276, ↔ 600 mm
↗ 550 mm
- # 2F 6439, ↔ 580 mm
2F 6442, ↔ 780 mm
2F 6443, ↔ 1180 mm
↗ 440 mm
- # 2F 9645, ↔ 400 mm
2F 9646, ↔ 600 mm
2F 9647, ↔ 800 mm
2F 9648, ↔ 1200 mm
⊕ 2 x 14 W
↗ 72 mm
IP 44



- # 2F 9642 ⊕ 2 x 21 W
↗ 36 mm
IP 44
- # 2F 9638 ⊕ 2 x 21 W
↗ 36 mm
IP 44
- # 2F 9639 ⊕ 4 x 21 W
↗ 36 mm
IP 44
- # 2F 9650 L/R ⊕ 2 x 14 W
↗ 200 mm
IP 44
- # 2F 9651, ↔ 600 mm
2F 9652, ↔ 800 mm
⊕ 2 x 14 W
↗ 200 mm
IP 44



- # 2F 9653 ⊕ 2 x 14 W
↗ 200 mm
IP 44
- # 2F 9405, ↔ 600 mm
2F 9406, ↔ 800 mm
2F 9407, ↔ 1200 mm
↗ 200 mm
- # 2F 9272 L/R
↗ 360 mm
- # 2F 9156 L/R
↗ 360 mm
- # 2F 9157 L/R ⊕ 4 x 21 W
↗ 360 mm
- # 2F 9158 L/R ⊕ 3 x 21 W
↗ 360 mm

Technical drawings of five different sink models. Each model includes a perspective view, a top view with dimensions, and a side view with dimensions. Product codes are listed below each drawing.

- Model 1: # 0449580000 ● ● ●
0449580009 ● ● ●
0449580023 ● ● ●
- Model 2: # 0450580000 ● ● ●
0450580009 ● ● ●
0450580023 ● ● ●
- Model 3: # 0443580000 ● ● ●
0443580009 ● ● ●
0443580023 ● ● ●
- Model 4: # 0448450000 ● ● ●
0448450023 ● ● ●

Technical drawings of five different sink models. Each model includes a perspective view, a top view with dimensions, and a side view with dimensions. Product codes are listed below each drawing.

- Model 1: # 0319420000 ☒ ☒ ☒
0319370000 ☒ ☒ ☒
- Model 2: # 0319320000 ☒ ☒ ☒
- Model 3: # 0319270000 ☒ ☒ ☒
- Model 4: # 0320500000 ☒
0320500008 ● (r)
0320500009 ● (l)
- Model 5: # 0320450000 ☒
0320450008 ● (r)
0320450009 ● (l)

Technical drawings of five different sink models. Each model includes a perspective view, a top view with dimensions, and a side view with dimensions. Product codes are listed below each drawing.

- Model 1: # 0766350000 ● ● ●
0766350008 ● (right)
0766350009 ● (left)
0766350023 ● ● ●
- Model 2: # 0764650000 ● ● ●
- Model 3: # 0765650000 ● ● ●
- Model 4: # 0468470000 ☒ ☒ ☒
- Model 5: # 0318500000 ☒ ☒ ☒
0318450000 ☒ ☒ ☒

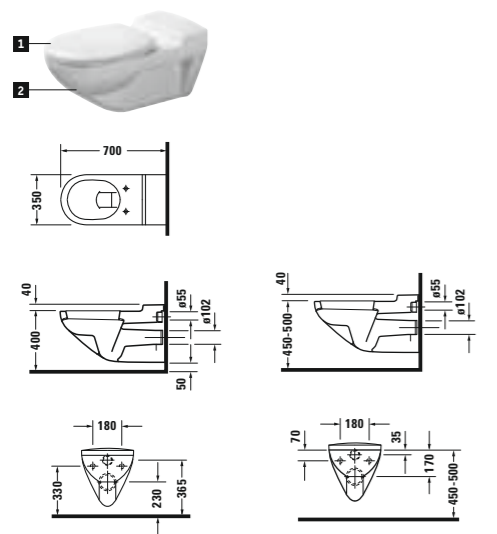
Technical drawings of five different sink models. Each model includes a perspective view, a top view with dimensions, and a side view with dimensions. Product codes are listed below each drawing.

- Model 1: # 0320420000 ☒
0320420008 ● (r)
0320420009 ● (l)
- Model 2: # 0320400000 ☒
0320400008 ● (r)
0320400009 ● (l)
- Model 3: # 2531150000 ● ● ●
- Model 4: # 0069610000
0069690000
SoftClose
2546090000 ● ● ●
(only for Australia and New Zealand)

Technical drawings of five different sink models. Each model includes a perspective view, a top view with dimensions, and a side view with dimensions. Product codes are listed below each drawing.

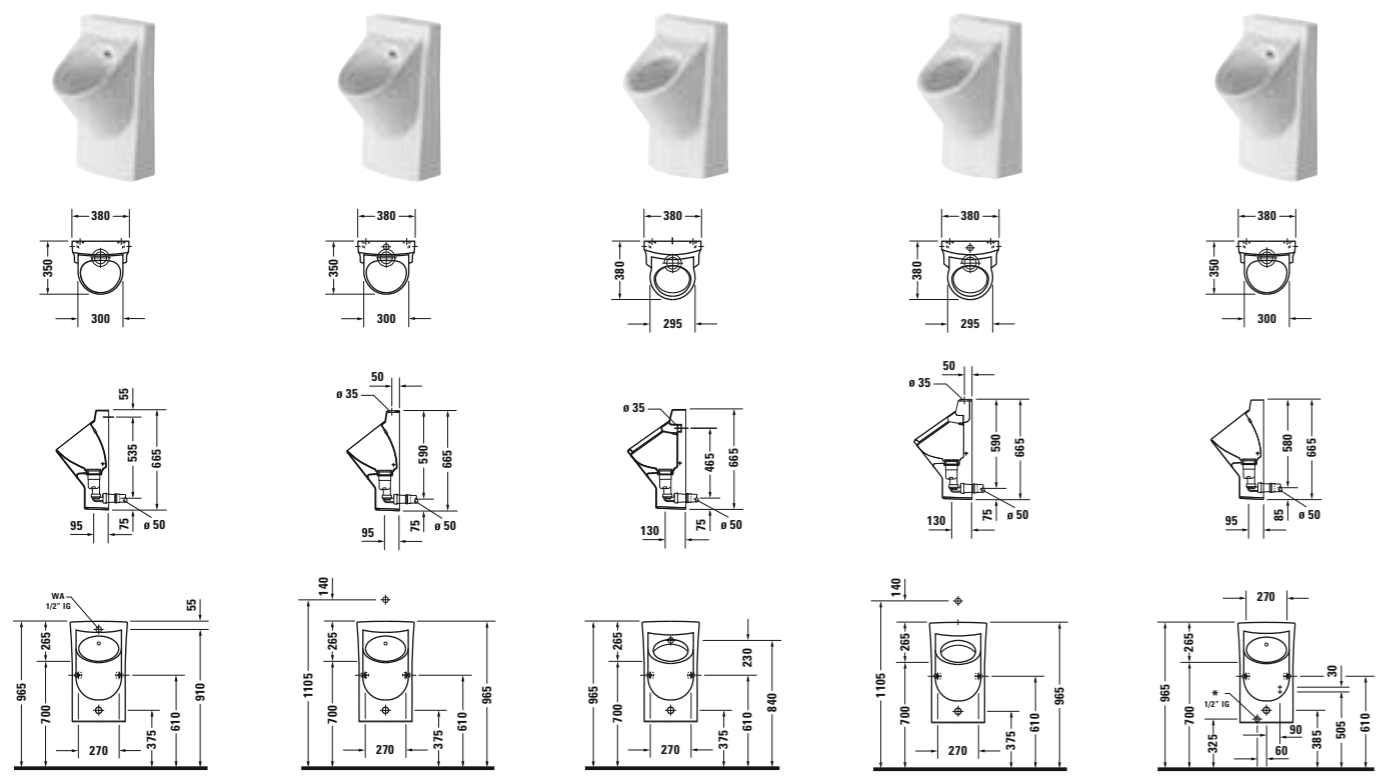
- Model 1: # 0318400000 ☒ ☒ ☒
- Model 2: # 0473340031 ☒ ☒ ☒
- Model 3: # 0462400000 ● ● ●
0462400023 ● ● ●
- Model 4: # 0463400000 ☒ ☒ ☒
- Model 5: # 0468400000 ☒ ☒ ☒





1 # 0062810000
0062910000
2 # 0190090000 ♣
Not available in Australia
and New Zealand

1 # 0062810000
0062910000
2 # 0190090000 ♣
Not available in Australia
and New Zealand



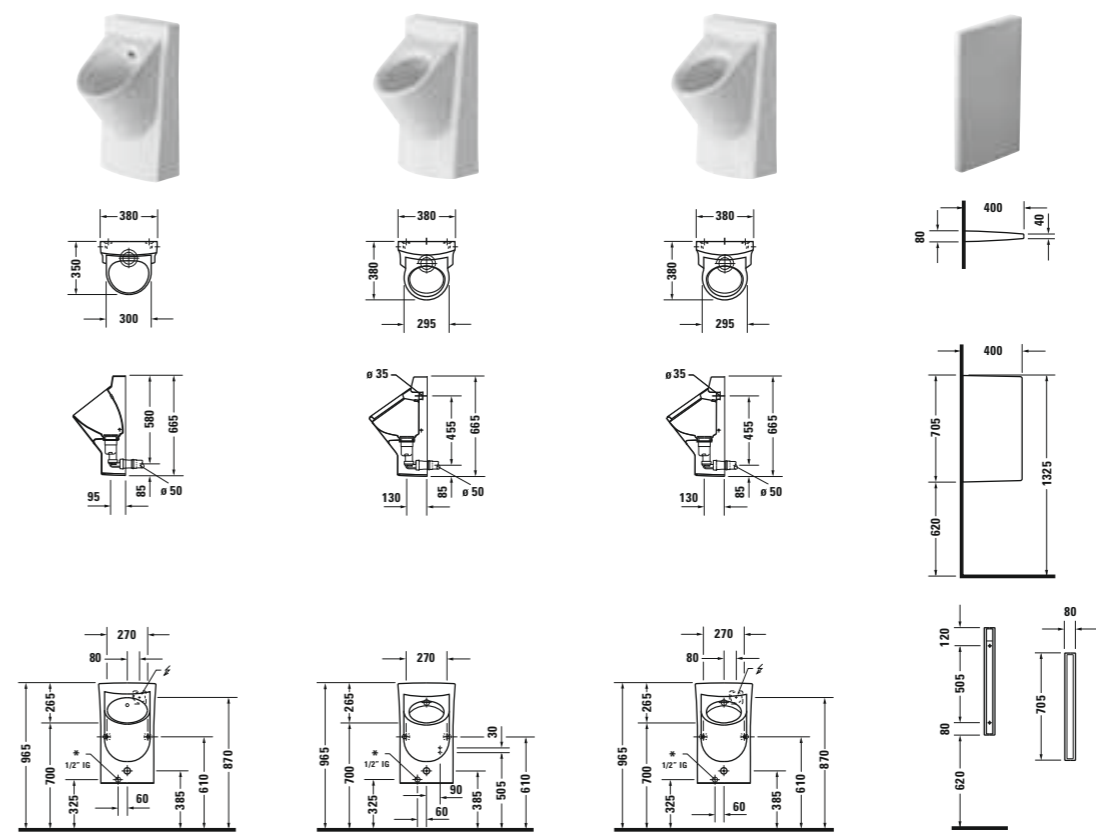
0818370000
0818370007 ♣
*

0817370000
0817370007 ♣
*

0820370000
0820370007 ♣
*

0819370000
0819370007 ♣
*

0818360000
0818360007 ♣
For power supply □
* Water supply

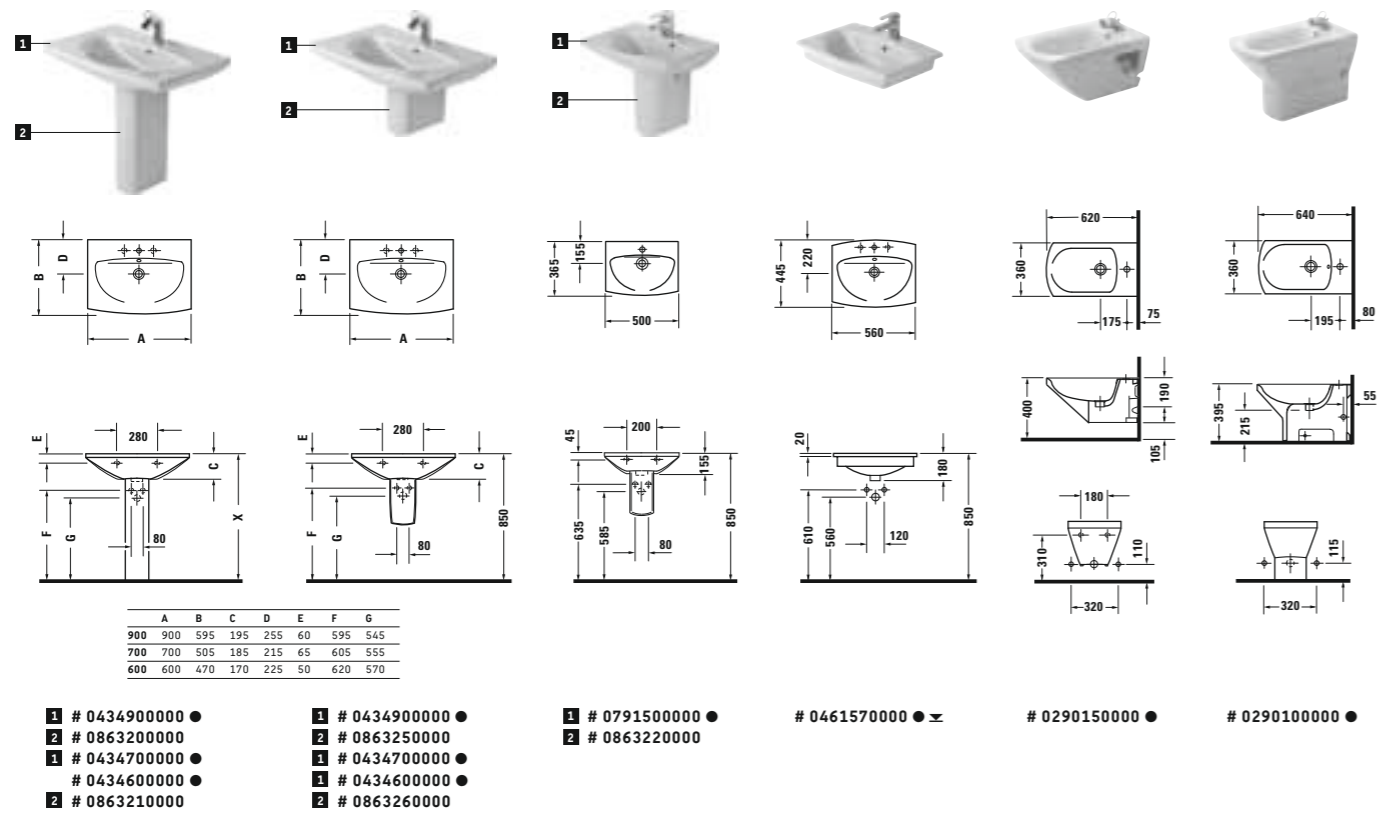
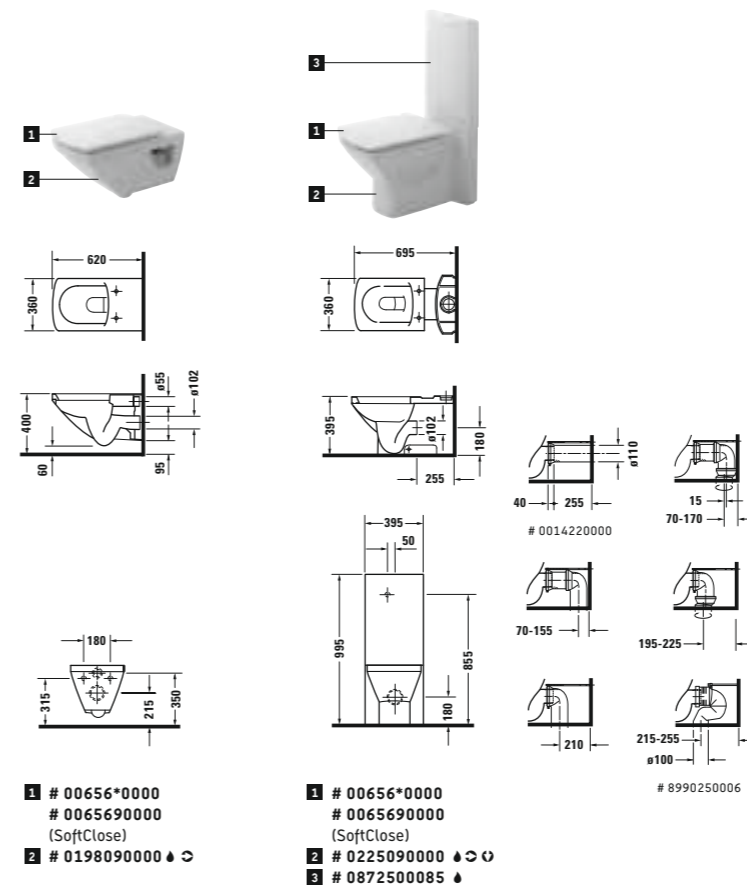
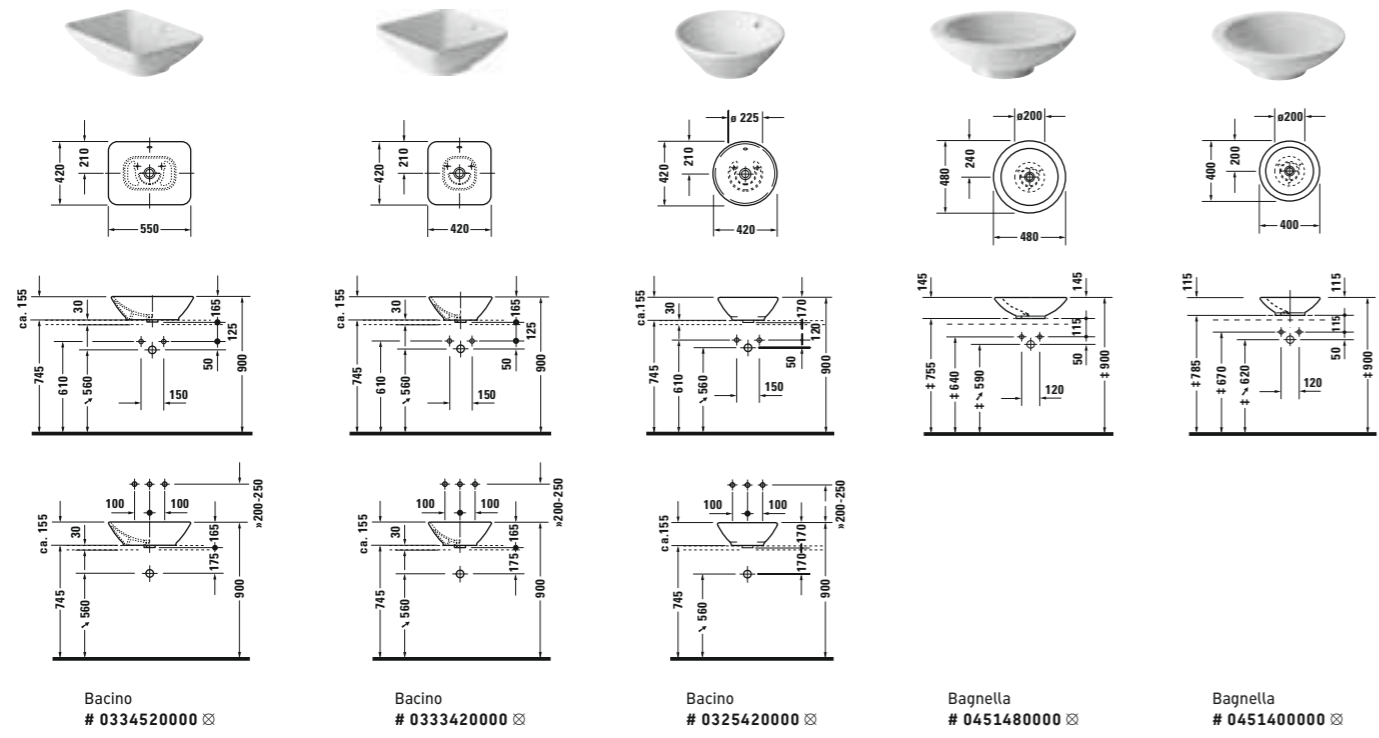


0818360093
0818360097 ♣
For electrical supply ♣
* Water supply
*

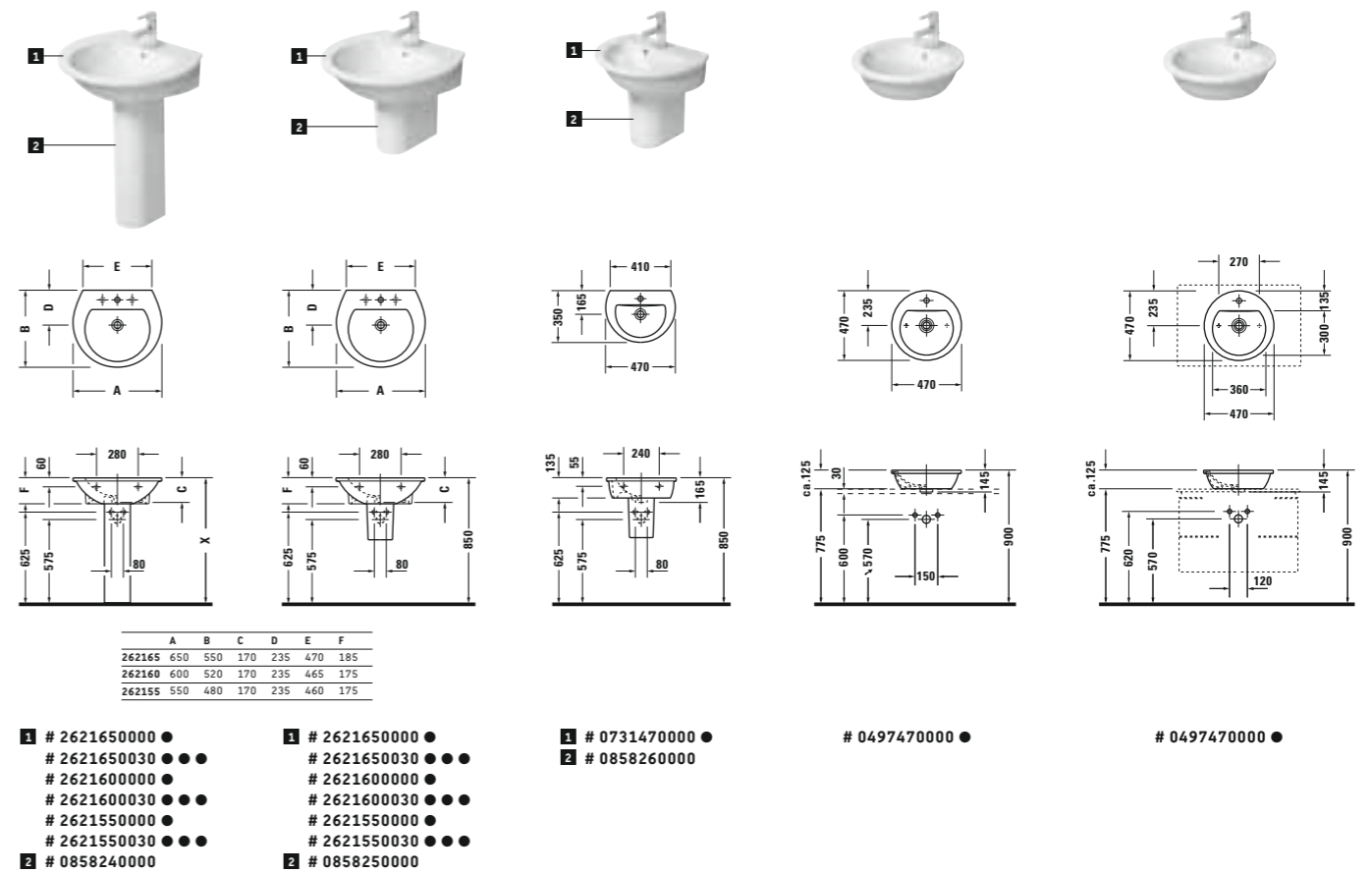
0820360000
0820360007 ♣
For power supply □
* Water supply
*

0820360093
0820360097 ♣
For electrical supply ♣
* Water supply
*

8500000000



* 0 - white, 1 - stainless steel



→ DN 6462
→ DN 6461
→ DN 6472
→ DN 6471

0499100000 ●
0499100030 ●●●●

0499830000 ●
0499830030 ●●●●

0499630000 ●
0499630030 ●●●●

0499530000 ●

2249150000 ●

2250100000 ●

2251100000 ●

1 # 0068610000
0068690000
(SoftClose)
2 # 2545090000 ◊ ◊ ◊

1 # 0063320000
0063390000
(SoftClose)
2 # 2544090000 ◊ ◊ ◊

WATER RATING

WATER RATING

1 # 0068610000
0068690000
(SoftClose)
2 # 2139090000 ◊ ◊ ◊ ◊

1 # 0068610000
0068690000
(SoftClose)
2 # 2138090000 ◊ ◊ ◊ ◊
3 # 0931100005 ♣ ♣ ♣ ♣
0931100085 ♣ ♣ ♣ ♣
only for Australia and
New Zealand

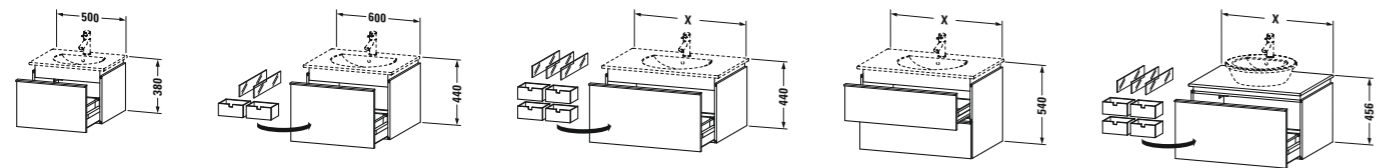
WATER RATING

WATER RATING

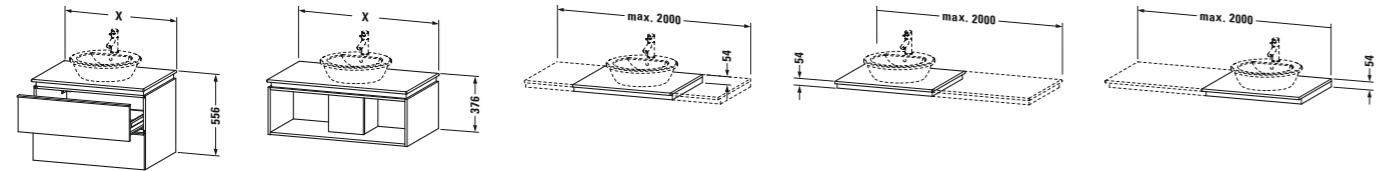
1 # 0061310000
2 # 0823350000
0823350007 *

0823360000
0823360007 *

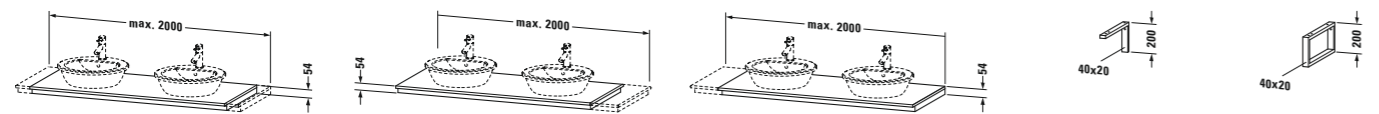
* Australia / New Zealand: Wels rating pending
UK: District Surveyor Approval Required



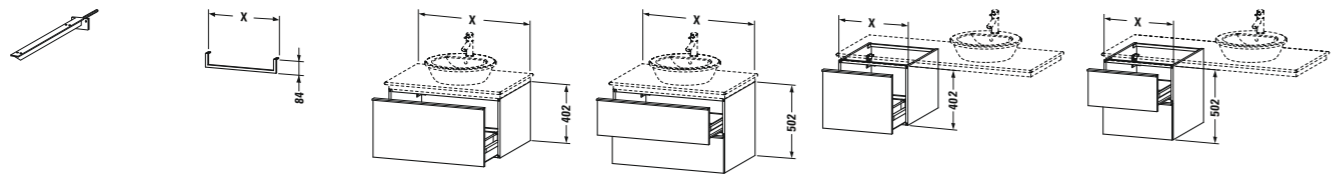
- # DN 6454
→ 049953
↗ 430 mm
- # DN 6460
→ 049963
↗ 545 mm
- # DN 6461, ↔ 800 mm
→ 049983
DN 6462, ↔ 1000 mm
→ 049910
↗ 545 mm
- # DN 6470, ↔ 600 mm
→ 049963
DN 6471, ↔ 800 mm
→ 049983
DN 6472, ↔ 1000 mm
→ 049910
↗ 545 mm
- # DN 6463*, ↔ 600 mm
DN 6464*, ↔ 800 mm
DN 6465*, ↔ 1000 mm
DN 6863**, ↔ 600 mm
DN 6864**, ↔ 800 mm
DN 6865**, ↔ 1000 mm
↗ 545 mm



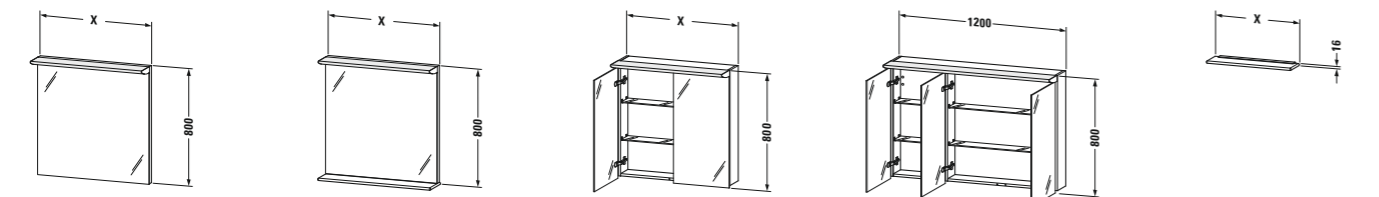
- # DN 6473*, ↔ 600 mm
DN 6474*, ↔ 800 mm
DN 6475*, ↔ 1000 mm
DN 6873**, ↔ 600 mm
DN 6874**, ↔ 800 mm
DN 6875**, ↔ 1000 mm
↗ 545 mm
- # DN 6450, ↔ 1000 mm
DN 6451, ↔ 1200 mm
→ 049747
↗ 545 mm
- # DN 803C
DN 802C
↗ 545 mm
- # DN 800C
↗ 545 mm
- # DN 801C
↗ 545 mm



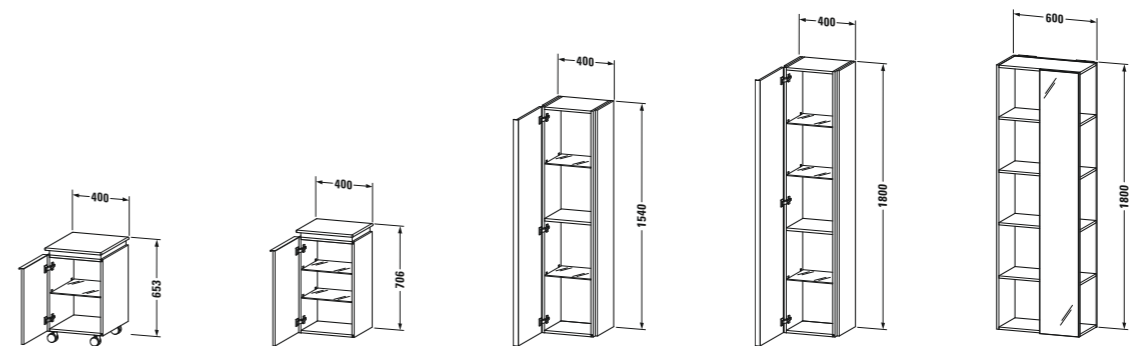
- # DN 813C
DN 812C
↗ 545 mm
- # DN 810C
↗ 545 mm
- # DN 811C
↗ 545 mm
- # DN 9902
↗ 425 mm
Console support-bracket
- # DN 9908
↗ 480 mm
Console support-towel rail



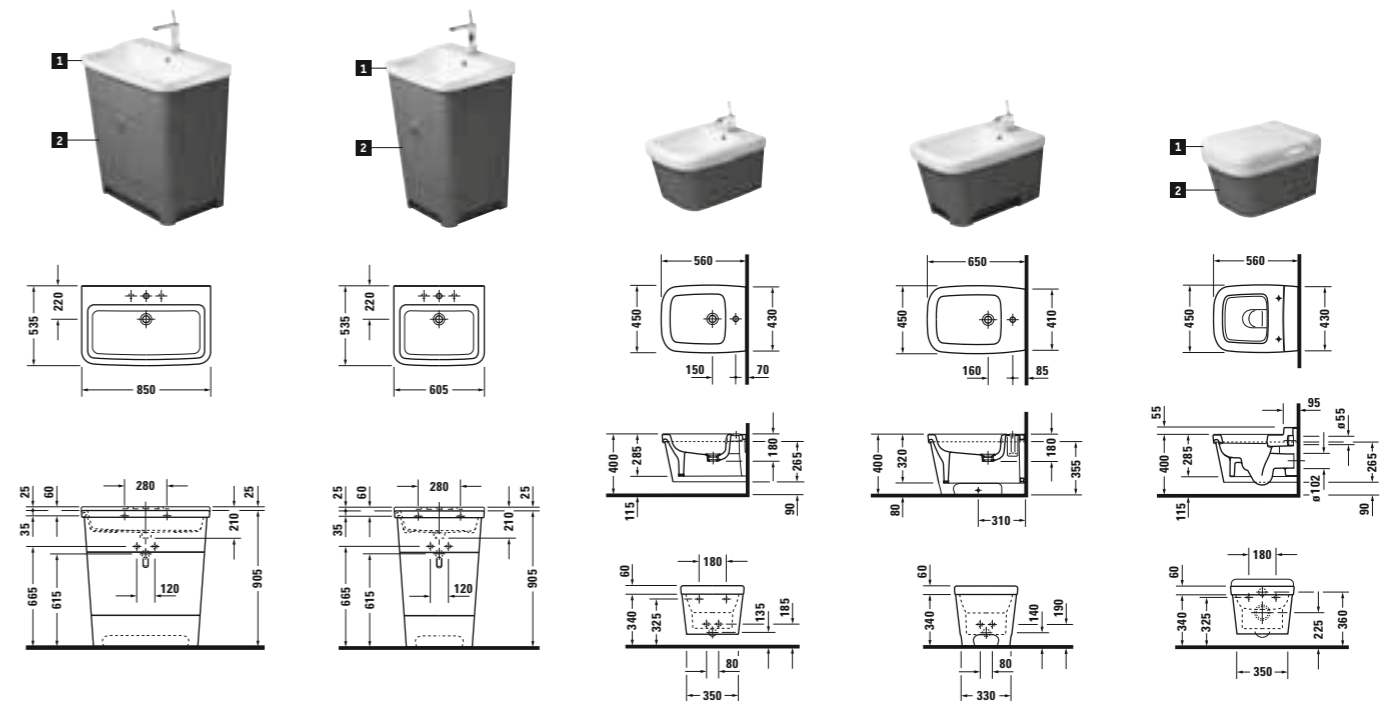
- # DN 9926
↗ 420 mm
Console support hidden
- # DN 9985, ↔ 500 mm
DN 9986, ↔ 1000 mm
↗ 14 mm
Towel rail
- # DN 6466, ↔ 600 mm
DN 6467, ↔ 800 mm
DN 6468, ↔ 1000 mm
↗ 545 mm
- # DN 6476, ↔ 600 mm
DN 6477, ↔ 800 mm
DN 6478, ↔ 1000 mm
↗ 545 mm
- # DN 6770, ↔ 400 mm
DN 6771, ↔ 500 mm
DN 6772, ↔ 600 mm
↗ 545 mm
- # DN 6780, ↔ 400 mm
DN 6781, ↔ 500 mm
DN 6782, ↔ 600 mm
↗ 545 mm



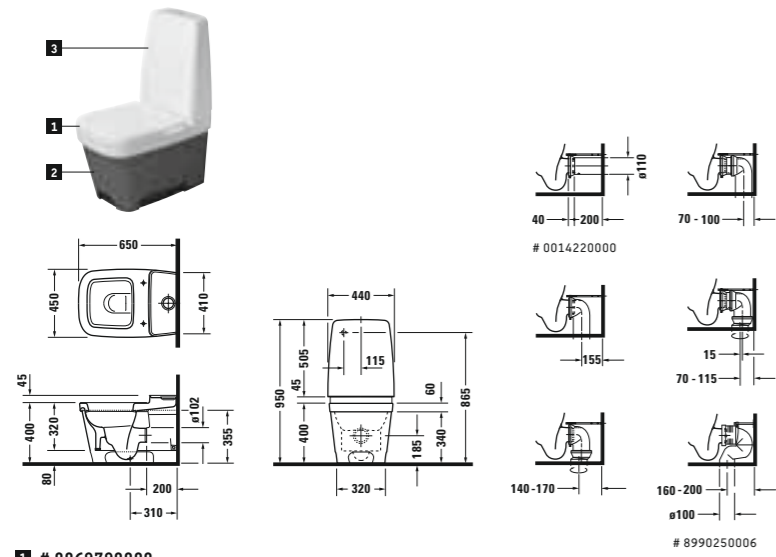
- # DN 7255, ↔ 600 mm
DN 7256, ↔ 800 mm
⊙ 1 x 14 W
- # DN 7257, ↔ 1000 mm
⊙ 1 x 21 W
- # DN 7258, ↔ 1200 mm
⊙ 1 x 28 W
- # DN 7265, ↔ 1500 mm
⊙ 1 x 35 W
↗ 170 mm
IP 44
- # DN 7275, ↔ 600 mm
DN 7276, ↔ 800 mm
⊙ 1 x 14 W
- # DN 7277, ↔ 1000 mm
⊙ 1 x 21 W
- # DN 7278, ↔ 1200 mm
⊙ 1 x 28 W
- # DN 7275, ↔ 1500 mm
⊙ 1 x 35 W
↗ 170 mm
IP 44
- # DN 7535, ↔ 600 mm
DN 7536, ↔ 800 mm
⊙ 1 x 14 W
- # DN 7537, ↔ 1000 mm
⊙ 1 x 21 W
↗ 270 mm
IP 44
- # DN 7538
⊙ 1 x 28 W
↗ 270 mm
IP 44
- # DN 7905, ↔ 600 mm
DN 7906, ↔ 800 mm
↗ 160 mm



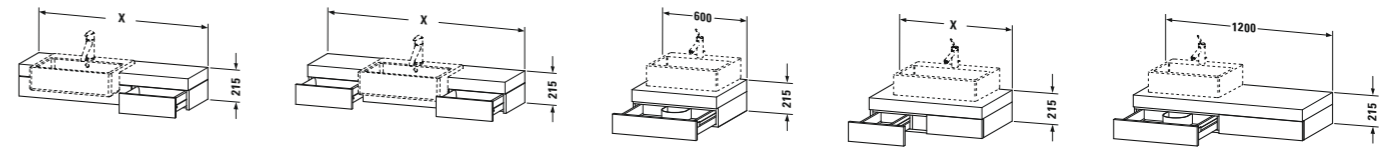
- # DN 2525 L/R
↗ 460 mm
- # DN 1270 L/R
↗ 340 mm
- # DN 1272 L/R
↗ 340 mm
- # DN 1274 L/R
↗ 340 mm
- # DN 1276 L/R
↗ 340 mm



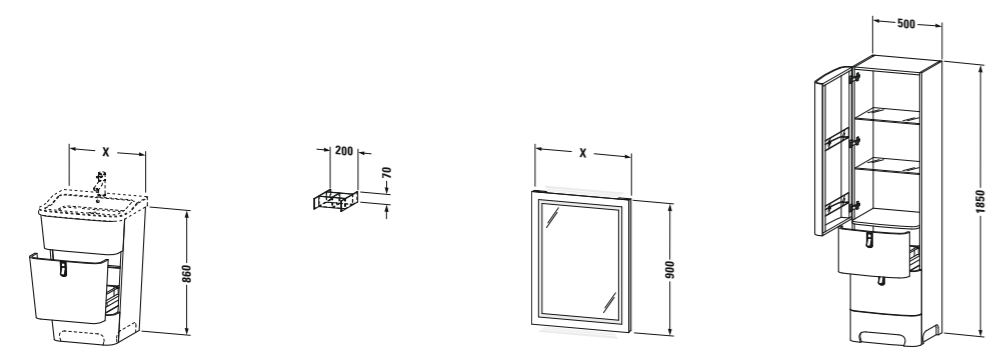
- 1 # 2622850000 ●
2622850030 ●●●
- 2 # ES 9051
- 1 # 2622600000 ●
2622600030 ●●●
- 2 # ES 9050
- # 2265100000 ● Silk
2266100000 ● Oak
- # 2261100000 ● Silk
2262100000 ● Oak
- 1 # 0069790000
(SoftClose)
- 2 # 2553090000 ♂ ○ Silk
2554090000 ♂ ○ Oak
not available in Australia
and New Zealand



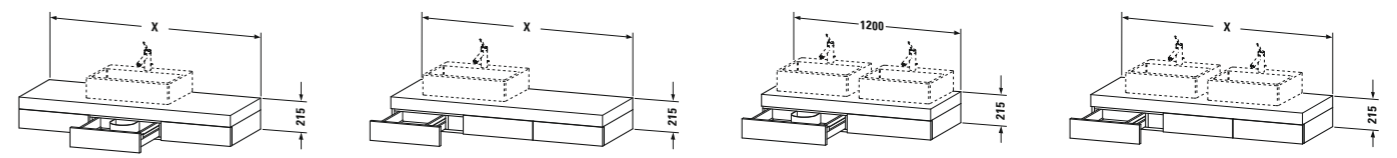
- 1 # 0069790000 (SoftClose)
- 2 # 2146090000 ◊ ◊ ◊ Silk
- # 2147090000 ◊ ◊ ◊ Oak
- # 0872800005 not available in Australia and New Zealand



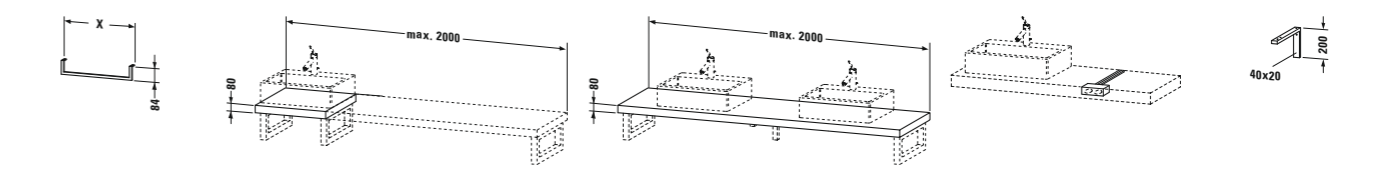
- # FO 8377, ↔ 1200 mm (l)
- # FO 8378, ↔ 1200 mm (r)
- # FO 8380, ↔ 1300 mm (l)
- # FO 8381, ↔ 1300 mm (r)
- # FO 8383, ↔ 1400 mm (l)
- # FO 8384, ↔ 1400 mm (r)
- ↗ 360 mm
- # FO 8382, ↔ 1400 mm (m)
- # FO 8385, ↔ 1600 mm (m)
- # FO 8388, ↔ 1800 mm (m)
- ↗ 360 mm
- # FO 8520 (m)
- ↗ 550 mm
- # FO 8521, ↔ 800 mm (m)
- # FO 8522, ↔ 1000 mm (m)
- # FO 8523, ↔ 1200 mm (m)
- ↗ 550 mm
- # FO 8524 (l)
- # FO 8525 (r)
- ↗ 550 mm



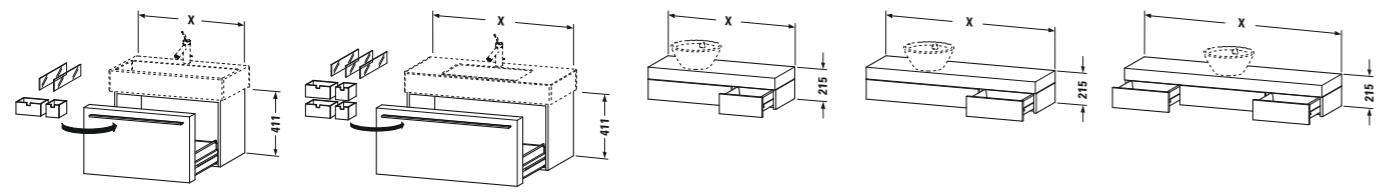
- # ES 9050, ↔ 560 mm → 262260
- # ES 9051, ↔ 810 mm → 262285
- ↗ 510 mm
- # ES 9922
- ↗ 373 mm
- # ES 9090 ◊, ↔ 700 mm
- # ES 9091 ◊, ↔ 1000 mm
- ↗ 42 mm
- # ES 9055 L/R
- ↗ 430 mm



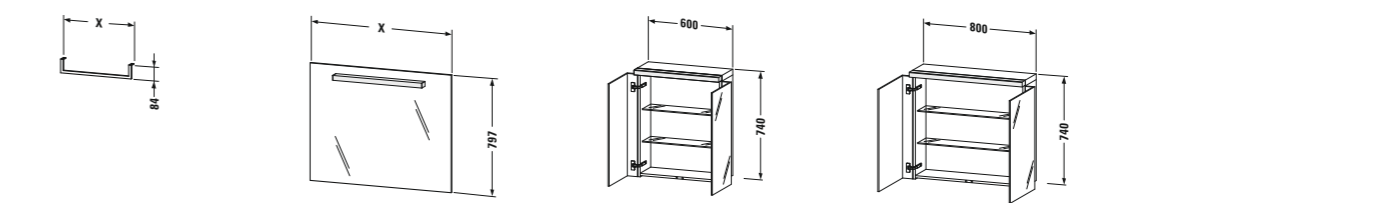
- # FO 8527, ↔ 1500 mm (m)
- # FO 8531, ↔ 1800 mm (m)
- ↗ 550 mm
- # FO 8528, ↔ 1500 mm (l)
- # FO 8529, ↔ 1500 mm (r)
- # FO 8532, ↔ 1800 mm (l)
- # FO 8533, ↔ 1800 mm (r)
- ↗ 550 mm
- # FO 8526 (b)
- ↗ 550 mm
- # FO 8530, ↔ 1500 mm (b)
- # FO 8534, ↔ 1800 mm (b)
- ↗ 550 mm



- # FO 9985, ↔ 500 mm
- # FO 9986, ↔ 1000 mm
- ↗ 14 mm
- Towel rail
- # FO 089C
- ↗ 550 mm
- Variable console
- # FO 079C
- ↗ 550 mm
- Variable console
- # FO 9907
- Double socket
- # FO 9902
- ↗ 425 mm
- Console support-bracket



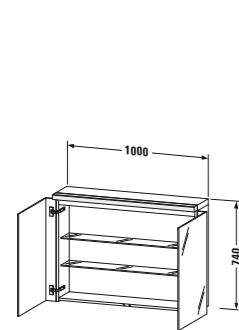
- # FO 9553, ↔ 450 mm
- Vero # 045450
- # FO 9554, ↔ 550 mm
- Vero # 045460
- # FO 9555, ↔ 750 mm
- Vero # 045480
- # FO 9556, ↔ 950 mm
- Vero # 045410
- # FO 9557, ↔ 1150 mm
- Vero # 045412
- ↗ 445/363 mm
- # FO 9572, ↔ 800 mm
- Vero # 032985
- # FO 9573, ↔ 1000 mm
- Vero # 032910
- # FO 9574, ↔ 1200 mm
- Vero # 032912
- ↗ 462/380 mm
- # FO 8370, ↔ 900 mm (l)
- # FO 8371, ↔ 900 mm (r)
- # FO 8372, ↔ 1000 mm (l)
- # FO 8373, ↔ 1000 mm (r)
- # FO 8374, ↔ 1100 mm (l)
- # FO 8375, ↔ 1100 mm (r)
- ↗ 360 mm
- # FO 8377, ↔ 1200 mm (l)
- # FO 8378, ↔ 1200 mm (r)
- # FO 8380, ↔ 1300 mm (l)
- # FO 8381, ↔ 1300 mm (r)
- # FO 8383, ↔ 1400 mm (l)
- # FO 8384, ↔ 1400 mm (r)
- ↗ 360 mm
- # FO 8382, ↔ 1400 mm (m)
- # FO 8385, ↔ 1600 mm (m)
- # FO 8388, ↔ 1800 mm (m)
- ↗ 360 mm



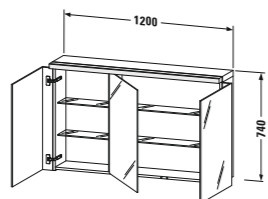
- # FO 9983, ↔ 500 mm
- # FO 9984, ↔ 1000 mm
- ↗ 14 mm
- Towel rail
- # FO 9614, ↔ 597 mm
- ◊ 1 x 8 W
- # FO 9615, ↔ 797 mm
- # FO 9616, ↔ 997 mm
- ◊ 1 x 13 W
- # FO 9680, ↔ 1200 mm
- ◊ 1 x 21 W
- # FO 9681, ↔ 1500 mm
- # FO 9682, ↔ 1800 mm
- ◊ 1 x 28 W
- ↗ 23/76 mm
- IP 44
- # FO 9672
- Wooden underfloor
- # FO 9673
- Illuminated glass floor
- ◊ 1 x 13 W
- ↗ 210/263 mm
- IP 44
- # FO 9674
- Wooden underfloor
- # FO 9675
- Illuminated glass floor
- ◊ 1 x 13 W
- ↗ 210/263 mm
- IP 44

(l) Cut-out left side (m) Cut-out central (r) Cut-out right side (b) 2 cut-outs Suitable ceramic see current pricelist.

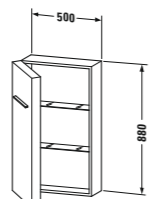
(l) Cut-out left side (m) Cut-out central (r) Cut-out right side (b) 2 cut-outs Suitable ceramic see current pricelist.



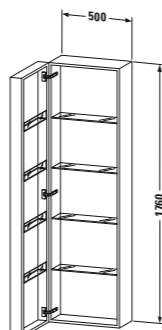
FO 9676
Wooden underfloor
FO 9677
Illuminated glass floor
Ø 1 x 21 W
↗ 210/263 mm
IP 44



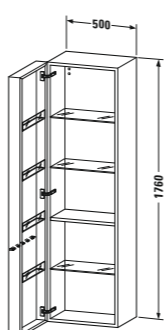
FO 9678
Wooden underfloor
FO 9679
Illuminated glass floor
Ø 2 x 13 W
↗ 210/263 mm
IP 44



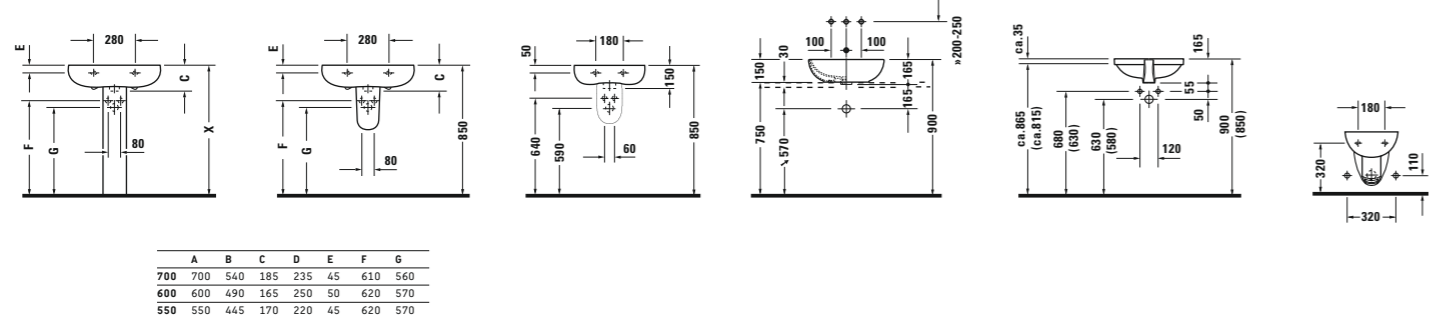
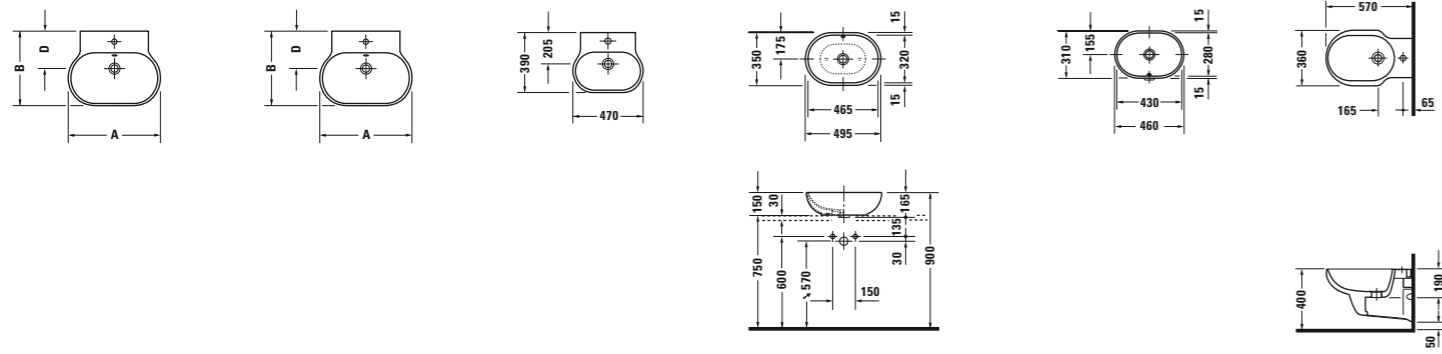
FO 9550 L/R
↗ 250 mm



FO 9546 L/R
↗ 230 mm

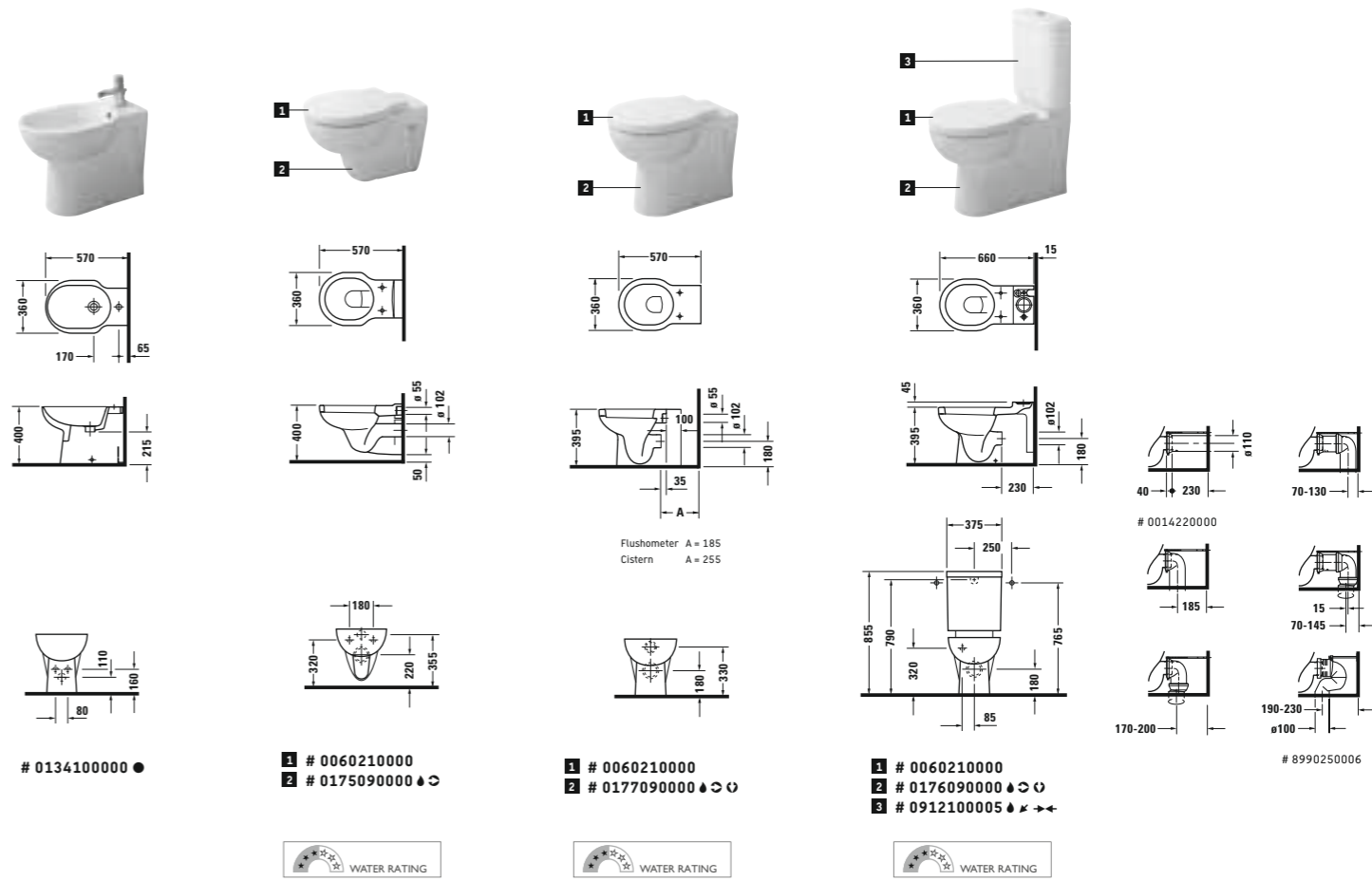


FO 9547 L/R
↗ 420 mm

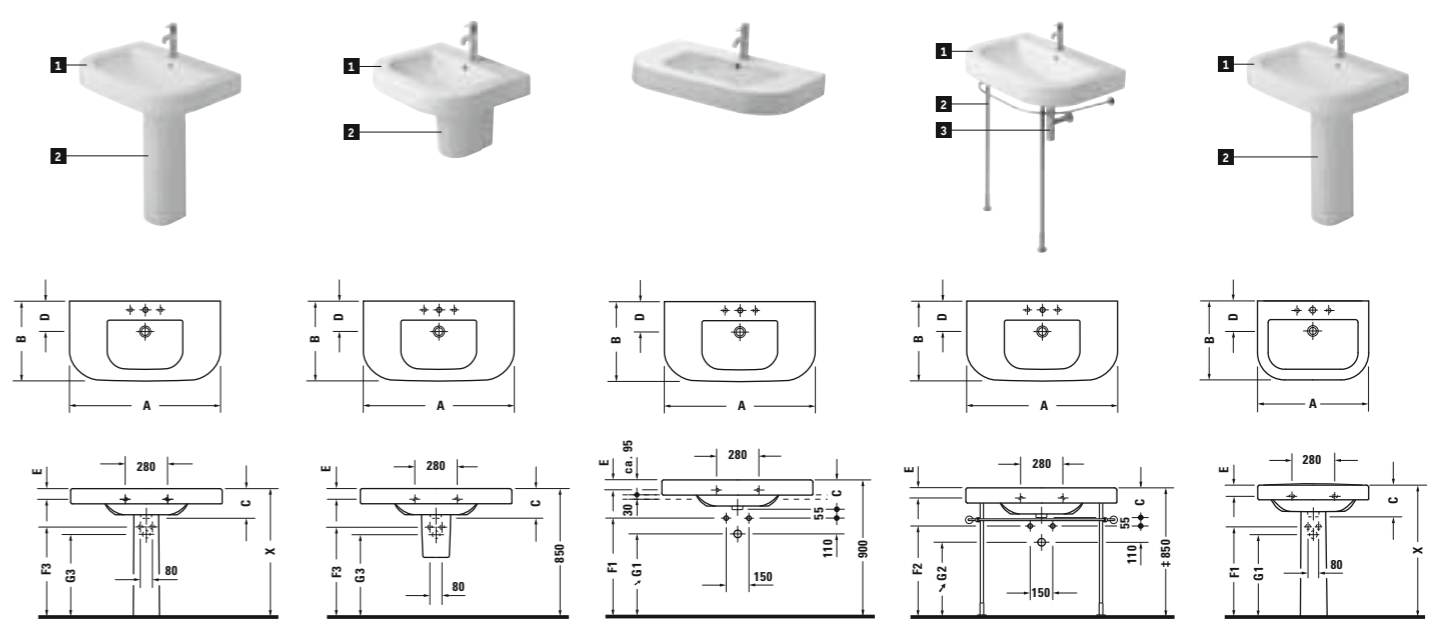


	A	B	C	D	E	F	G
700	700	540	185	235	45	610	560
600	600	490	165	250	50	620	570
550	550	445	170	220	45	620	570

- 1** # 0419700000 ●
- 1** # 0419700000 ●
- 1** # 0419470000 ●
- # 0335500000 ☒
- # 0336430000 ☒ ✕
- # 0134150000 ●
- 2** # 0419600000 ●
- 2** # 0419600000 ●
- 2** # 0863990000
- # 0419550000 ●
- # 0419550000 ●
- # 0863980000
- # 0863970000



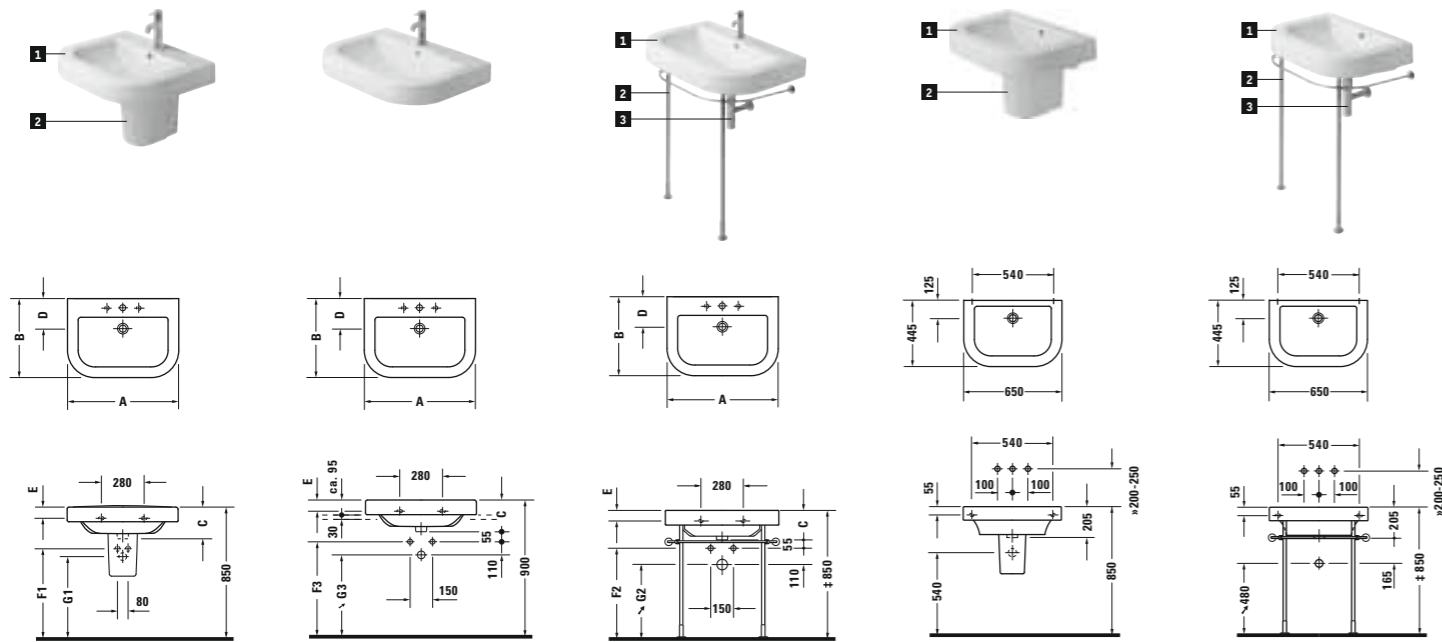
- # 0134100000 ●
- 1** # 0060210000
- 2** # 0175090000 ◀ ▶
- 1** # 0060210000
- 2** # 0177090000 ◀ ▶ ◂ ◃
- 1** # 0060210000
- 2** # 0176090000 ◀ ▶ ◂ ◃
- 3** # 0912100005 ◀ ✕ ▶ ✕



	A	B	C	D	E	F1	G1	F2	G2	F3	G3
1000	1000	525	195	200	70	650	540	600	490	595	545
800	800	525	200	200	70	645	535	595	485	495	545

- 1** # 0417100000 ●
- 1** # 0417100000 ●
- # 0417100027* ●
- 1** # 0417100000 ●
- 1** # 0417100030 ●●●
- 1** # 0417100025 ●●●*
- 1** # 0417100000 ●
- 1** # 0417100060 ☒
- 1** # 0417800000 ●
- 1** # 0417800027* ●
- 1** # 0417800000 ●
- 1** # 0417800025 ●●●*
- 1** # 0417800030 ●●●
- 1** # 0417800060 ☒
- 1** # 0417800000 ●
- 1** # 0417800030 ●●●
- 1** # 0417800060 ☒
- 1** # 0417800000 ●
- 2** # 0863860000
- 2** # 0863850000
- 2** # 0417100000 ●
- 2** # 0417100030 ●●●
- 2** # 0030701000**
- 2** # 0417750000 ●
- 2** # 0417750030 ●●●
- 2** # 0417650000 ●
- 2** # 0417650030 ●●●
- 2** # 0417650060 ☒
- 2** # 0417600000 ●
- 2** # 0417600030 ●●●
- 2** # 0417600060 ☒
- 2** # 0030691000**
- 2** # 0863860000
- 2** # 0050361000

* Washbasin grinded in combination with consoles. ** Height-adjustable



	A	B	C	D	E	F1	G1	F2	G2	F3	G3
750	750	525	195	200	70	600	550	600	490	650	540
650	650	520	205	200	65	590	540	595	485	640	530
600	600	480	205	200	65	585	535	/	/	640	530

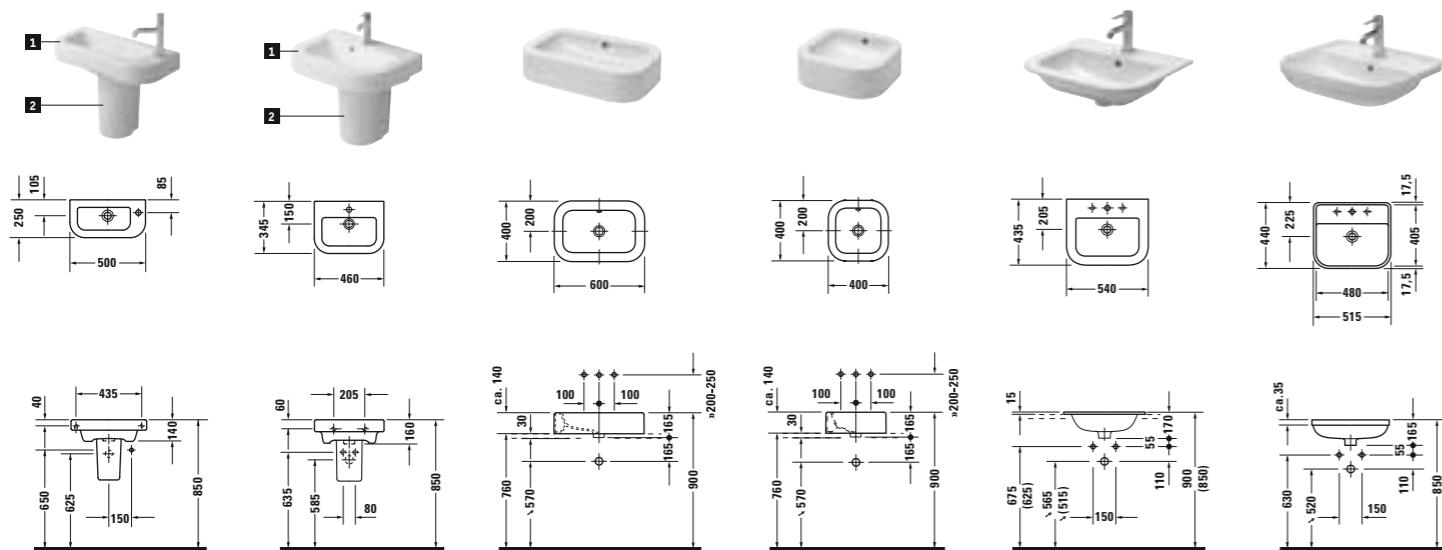
- # 0417750000 ●
- # 0417750030 ●●●
- # 0417650000 ●●●●
- # 0417650030 ●●●●●
- # 0417650060 ☒
- # 0417600000 ●●●●●
- # 0417600030 ●●●●●
- # 0863850000

- # 0417750027 ●*
- # 0417750025 ●●*
- # 0417650027 ●●*
- # 0417650025 ●●●*
- # 0417600027 ●*
- # 0417600025 ●●●*

- # 0417750000 ●
- # 0417750030 ●●●
- # 0030601000**
- # 0417650000 ●
- # 0417650030 ●●●
- # 0417650060 ☒
- # 0030611000**
- # 0050361000

- # 0418650000 ☒
- # 0863870000

- # 0418650000 ☒
- # 0030621000**
- # 0050361000



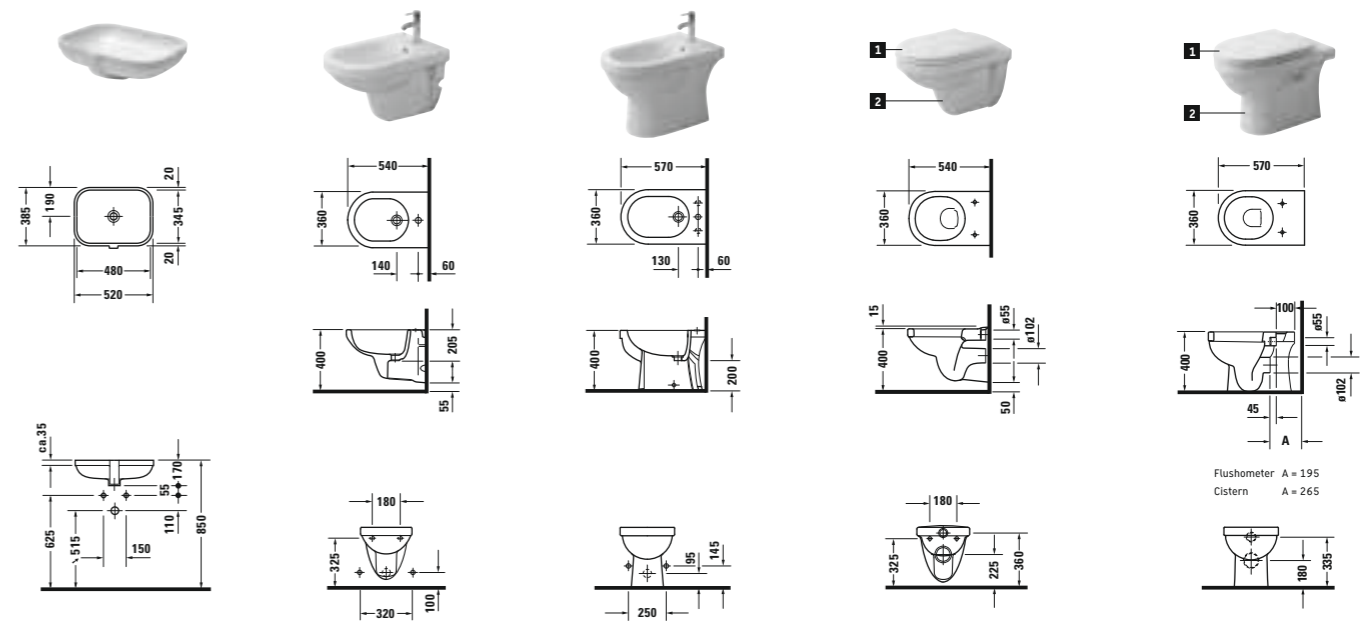
- # 0418500000 ●
- # 0863880000

- # 0417460000 ●
- # 0417460060 ☒
- # 0863870000

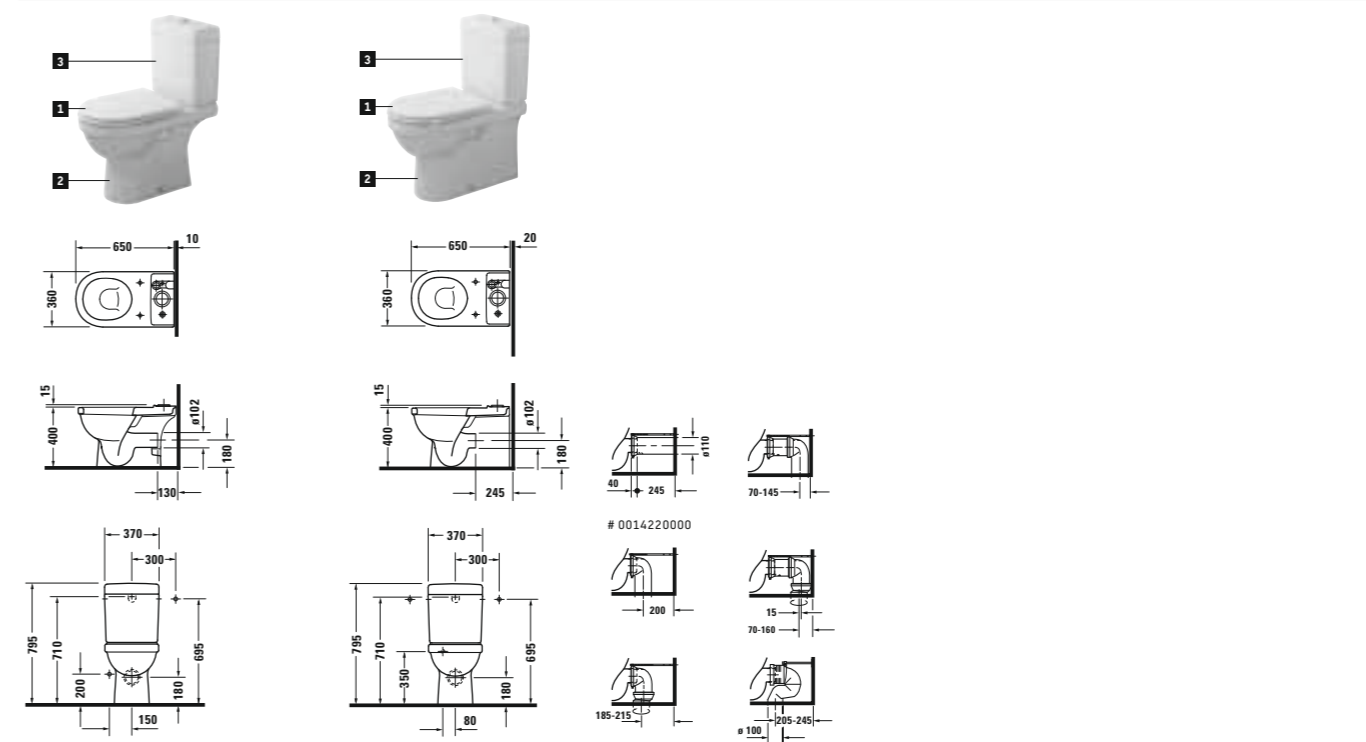
- # 0458600028 ☒*
- # 0458400028 ☒*

- # 0423540000 ●●●
- # 0423540030 ●●●●●

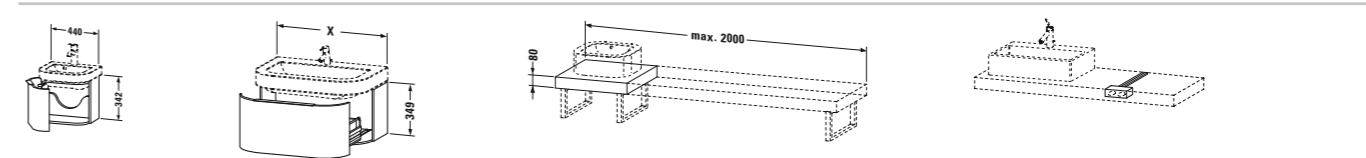
- # 0441480000 ●●●●
- # 0441480030 ●●●●●



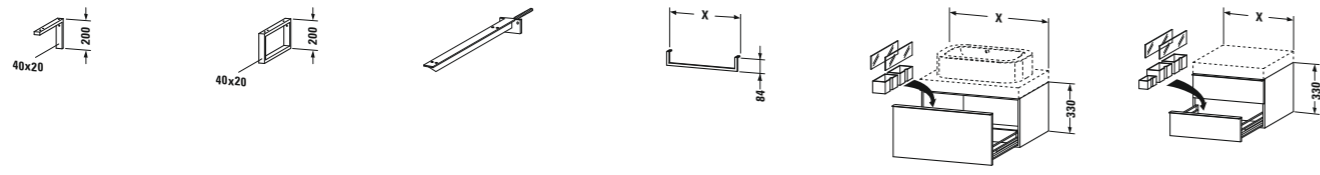
- # 0457480000 ☒
- # 0256150000 ●
- # 0257100000 ○●○
- # 0066910000
- # 0066990000 (SoftClose)
- # 0174090000 ♠♣
- # 0066910000
- # 0066990000 (SoftClose)
- # 0174090000 ♠♣



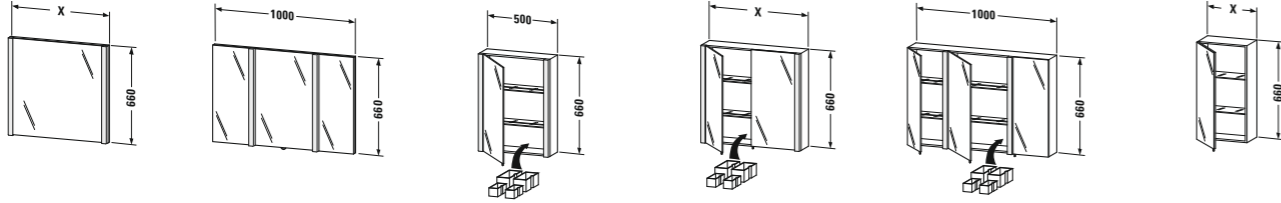
- # 0066910000
- # 0066990000 (SoftClose)
- # 0172090000 ♠♣
- # 0910100005 ♠♣
- not available in Australia and New Zealand
- # 0066910000
- # 0066990000 (SoftClose)
- # 0170090000 ♠♣
- # 0910100005 ♠♣



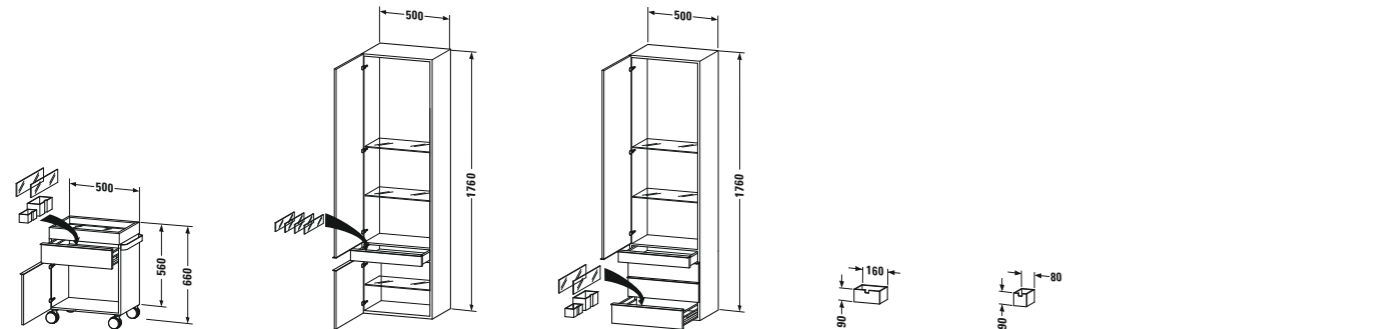
- # HD 6283 L/R
↗ 335 mm
→ # 041746
- # HD 6276, ↔ 630 mm
→ # 041765
- # HD 6277, ↔ 780 mm
→ # 041780
- # HD 6278, ↔ 980 mm
→ # 041710
↗ 511 mm
- # HD 831C
↗ 550 mm
Variable console
- # HD 9907
Double socket



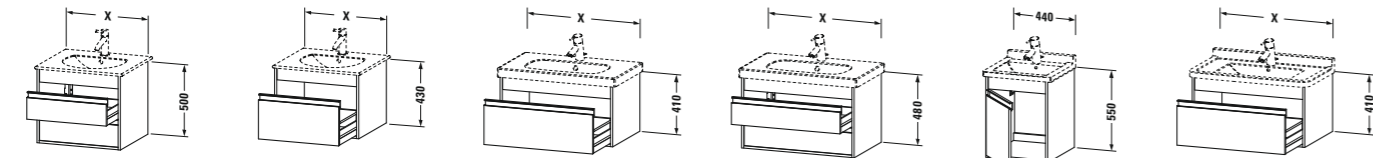
- # HD 9902 → 425 mm
Console support-bracket
- # HD 9903 → 480 mm
Console support-towel rail
- # HD 9926 → 420 mm
Console support hidden
- # HD 9983, ↔ 500 mm
HD 9984, ↔ 1000 mm
→ 14 mm
Towel rail
- # HD 6290, ↔ 500 mm
HD 6291, ↔ 700 mm
HD 6293, ↔ 800 mm
HD 6292, ↔ 1000 mm
→ 550 mm
- # HD 9392, ↔ 350 mm
HD 9393, ↔ 500 mm
HD 9394, ↔ 700 mm
→ 550 mm



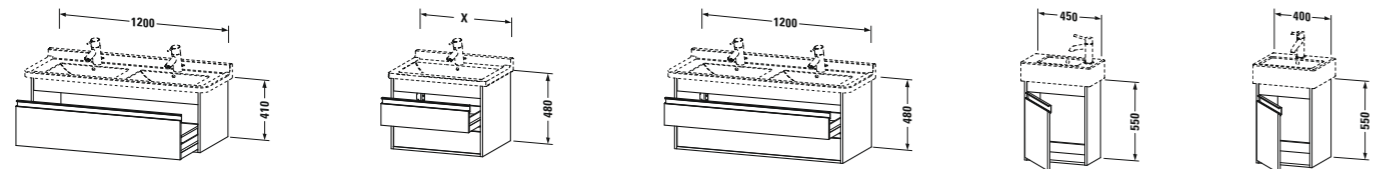
- # HD 9630, ↔ 500 mm
HD 9631, ↔ 700 mm
HD 9632, ↔ 800 mm
↻ 2 x 18 W
→ 52 mm
IP 44
- # HD 9633 ↻ 2 x 18 W
IP 44
- # HD 9634 L/R ↻ 2 x 14 W
→ 180 mm
IP 44
- # HD 9635, ↔ 700 mm
HD 9636, ↔ 800 mm
↻ 2 x 14 W
→ 180 mm
IP 44
- # HD 9637 ↻ 2 x 14 W
IP 44
- # HD 9474 L/R, ↔ 350 mm
HD 9475 L/R, ↔ 500 mm
→ 180 mm



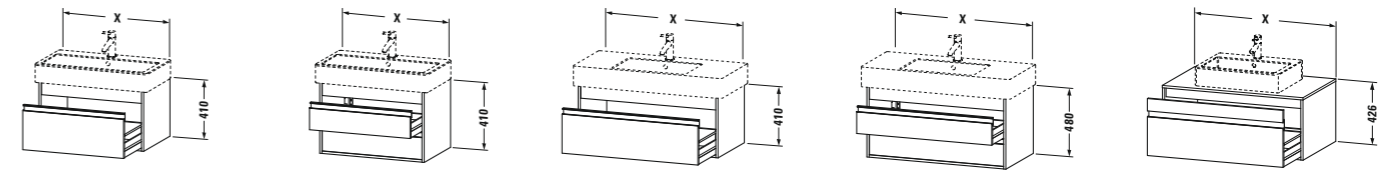
- # HD 9396 L/R
→ 360 mm
- # HD 9245 L/R
→ 360 mm
- # HD 9246 L/R
→ 360 mm
- # HD 9913
→ 120 mm
- # HD 9914
→ 120 mm



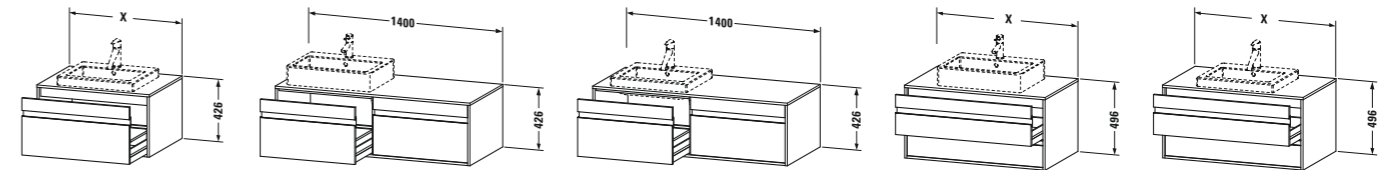
- # KT 6675, ↔ 500 mm
→ Darling New # 049953
→ 412 mm
- # KT 6676, ↔ 600 mm
→ Darling New # 049963
→ 502 mm
- # KT 6677, ↔ 800 mm
→ Darling New # 049983
- # KT 6678, ↔ 1000 mm
→ Darling New # 049910
→ 527 mm
- # KT 6631, ↔ 500 mm
→ Darling New # 049953
→ 412 mm
- # KT 6632, ↔ 600 mm
→ Darling New # 049963
→ 502 mm
- # KT 6633, ↔ 800 mm
→ Darling New # 049983
- # KT 6634, ↔ 1000 mm
→ Darling New # 049910
→ 527 mm
- # KT 6667, ↔ 800 mm
→ D-Code # 034285
- # KT 6668, ↔ 1000 mm
→ D-Code # 034210
→ 465 mm
- # KT 6647, ↔ 800 mm
→ D-Code # 034285
- # KT 6648, ↔ 1000 mm
→ D-Code # 034210
→ 465 mm
- # KT 6662 L/R
→ Starck 3 # 030348
→ 465 mm
- # KT 6663, ↔ 650 mm
→ Starck 3 # 030470
- # KT 6664, ↔ 800 mm
→ Starck 3 # 030480
- # KT 6665, ↔ 1000 mm
→ Starck 3 # 030410
→ 465 mm



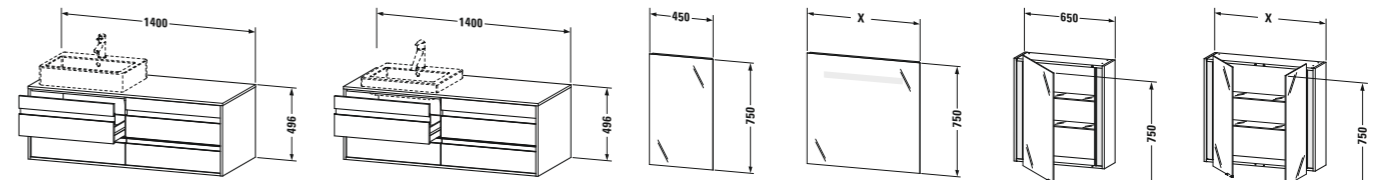
- # KT 6666
→ Starck 3 # 033213
→ 465 mm
- # KT 6643, ↔ 650 mm
→ Starck 3 # 030470
- # KT 6644, ↔ 800 mm
→ Starck 3 # 030480
- # KT 6645, ↔ 1000 mm
→ Starck 3 # 030410
→ 465 mm
- # KT 6646
→ Starck 3 # 033213
→ 465 mm
- # KT 6629 L/R
→ Vero # 070350
→ 225 mm
- # KT 6630
→ Vero # 070445
→ 320 mm



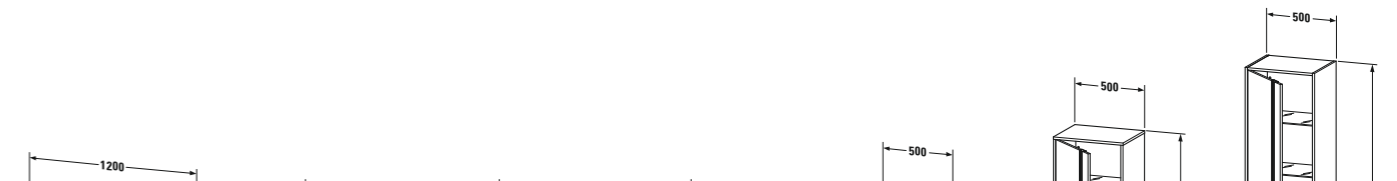
- # KT 6685, ↔ 450 mm
→ Vero # 045450
- # KT 6686, ↔ 550 mm
→ Vero # 045460
- # KT 6687, ↔ 750 mm
→ Vero # 045480
- # KT 6688, ↔ 950 mm
→ Vero # 045410
- # KT 6689, ↔ 1150 mm
→ Vero # 045412
→ 440 mm
- # KT 6635, ↔ 450 mm
→ Vero # 045450
- # KT 6636, ↔ 550 mm
→ Vero # 045460
- # KT 6637, ↔ 750 mm
→ Vero # 045480
- # KT 6638, ↔ 950 mm
→ Vero # 045410
- # KT 6639, ↔ 1150 mm
→ Vero # 045412
→ 440 mm
- # KT 6690, ↔ 800 mm
→ Vero # 032985
- # KT 6691, ↔ 1000 mm
→ Vero # 032910
- # KT 6692, ↔ 1200 mm
→ Vero # 032912
→ 455 mm
- # KT 6640, ↔ 800 mm
→ Vero # 032985
- # KT 6641, ↔ 1000 mm
→ Vero # 032910
- # KT 6642, ↔ 1200 mm
→ Vero # 032912
→ 455 mm
- # KT 6694*, ↔ 800 mm
KT 6695*, ↔ 1000 mm
KT 6696*, ↔ 1200 mm
→ 550 mm



- # KT 6794**, ↔ 800 mm
- # KT 6894***, ↔ 800 mm
- # KT 6795**, ↔ 1000 mm
- # KT 6895***, ↔ 1000 mm
- # KT 6796**, ↔ 1200 mm
- # KT 6896***, ↔ 1200 mm
→ 550 mm
- # KT 6697 L/R/B*
→ 550 mm
- # KT 6797 L/R/B**
KT 6897 L/R/B***
→ 550 mm
- # KT 6654*, ↔ 800 mm
- # KT 6555*, ↔ 1000 mm
- # KT 6656*, ↔ 1200 mm
→ 550 mm
- # KT 6754**, ↔ 800 mm
- # KT 6854***, ↔ 800 mm
- # KT 6755**, ↔ 1000 mm
- # KT 6855***, ↔ 1000 mm
- # KT 6756**, ↔ 1200 mm
- # KT 6856***, ↔ 1200 mm
→ 550 mm

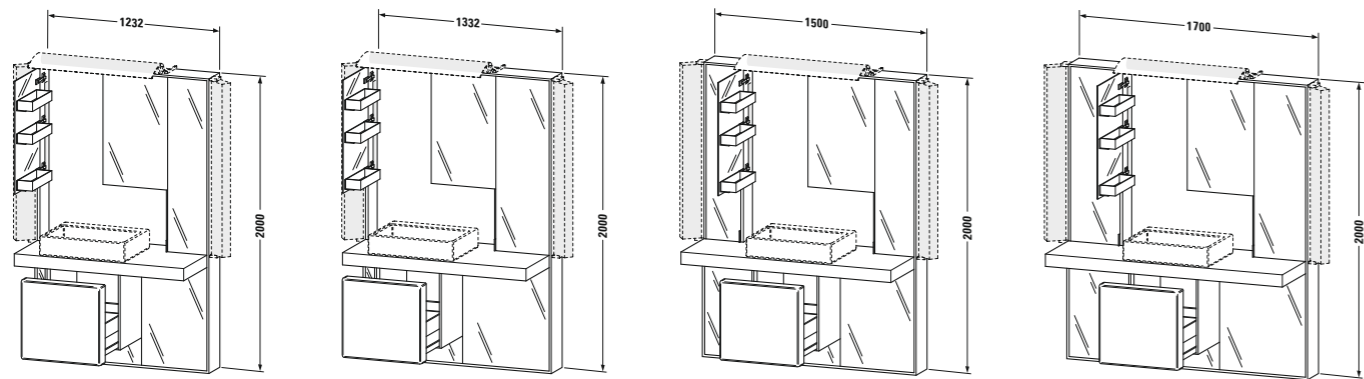


- # KT 6657 L/R/B*
→ 550 mm
- # KT 6757 L/R/B**
KT 6857 L/R/B***
→ 550 mm
- # KT 7229
→ 41 mm
- # KT 7230, ↔ 650 mm
↻ 1 x 13 W
- # KT 7231, ↔ 800 mm
↻ 1 x 14 W
- # KT 7232, ↔ 1000 mm
KT 7233, ↔ 1200 mm
↻ 1 x 21 W
→ 41 mm
- # KT 7530 L/R
↻ 2 x 14 W
→ 180 mm
- # KT 7531, ↔ 800 mm
- # KT 7532, ↔ 1000 mm
↻ 2 x 14 W
→ 180 mm

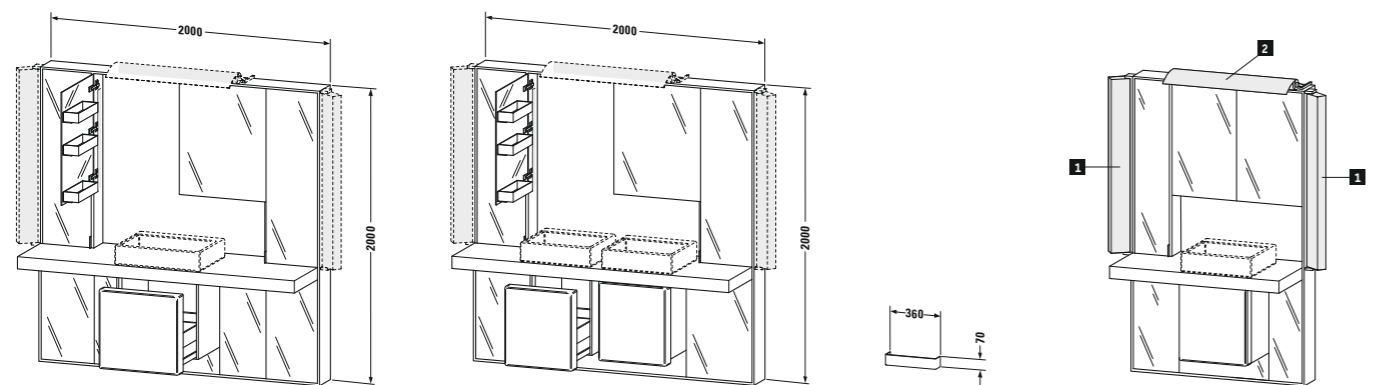


- # KT 7533 ↻ 2 x 14 W
→ 180 mm
- # KT 2537 L/R
→ 135 mm
- # KT 2530 L/R
→ 360 mm
- # KT 2528 L/R
→ 360 mm
- # KT 1266 L/R
→ 360 mm
- # KT 1267 L/R
→ 360 mm
- # KT 1265 L/R
→ 360 mm

* → Above counter basin
** → Vanity basin
*** → Vanity basin



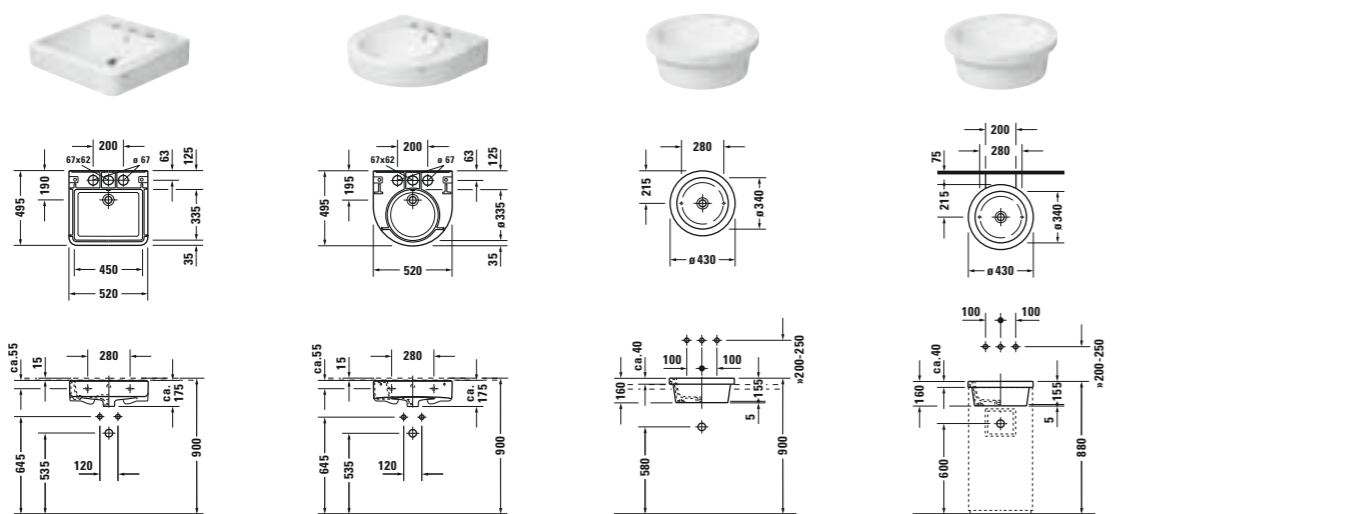
- # MW 9820 ☉, → Vero # 045250 (l)
 - # MW 9822 ☉, → Vero # 045260 (l)
 - # MW 9821 ☉, → Vero # 045250 (r)
 - # MW 9823 ☉, → Vero # 045260 (r)
 - 2 x 28 W (a) 1
 - 1 x 24 W (a) 2
 - 3 x 14 W (i)
 - ↗ 632 mm
- # MW 9824 ☉, → Vero # 045250 (l)
 - # MW 9826 ☉, → Vero # 045260 (l)
 - # MW 9825 ☉, → Vero # 045250 (r)
 - # MW 9827 ☉, → Vero # 045260 (r)
 - 2 x 28 W (a) 1
 - 1 x 24 W (a) 2
 - 3 x 14 W (i)
 - ↗ 632 mm
- # MW 9828 ☉, → Vero # 045250 (m)
 - # MW 9829 ☉, → Vero # 045260 (m)
 - 2 x 28 W (a) 1
 - 1 x 24 W (a) 2
 - 3 x 14 W (i)
 - ↗ 632 mm
- # MW 9830 ☉, → Vero # 045250 (m)
 - # MW 9831 ☉, → Vero # 045260 (m)
 - 2 x 28 W (a) 1
 - 1 x 24 W (a) 2
 - 3 x 14 W (i)
 - ↗ 632 mm



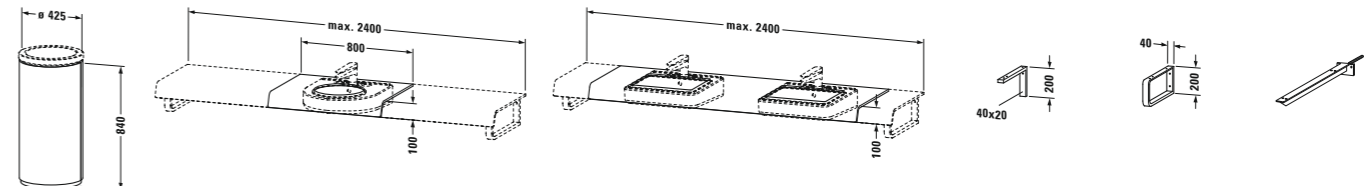
- # MW 9832 ☉, → Vero # 045250 (m)
 - # MW 9833 ☉, → Vero # 045260 (m)
 - 2 x 28 W (a) 1
 - 1 x 39 W (a) 2
 - 3 x 14 W (i)
 - ↗ 632 mm
- # MW 9834 ☉, → Vero # 045250 (2x)
 - 2 x 28 W (a) 1
 - 1 x 39 W (a) 2
 - 3 x 14 W (i)
 - ↗ 632 mm
- # MW 9998 ↗ 90 mm

(a) Exterior lighting optional
 1 2 lamps on the side
 2 1 top light from above
 (i) Interior lighting: 3 fluorescent tubes

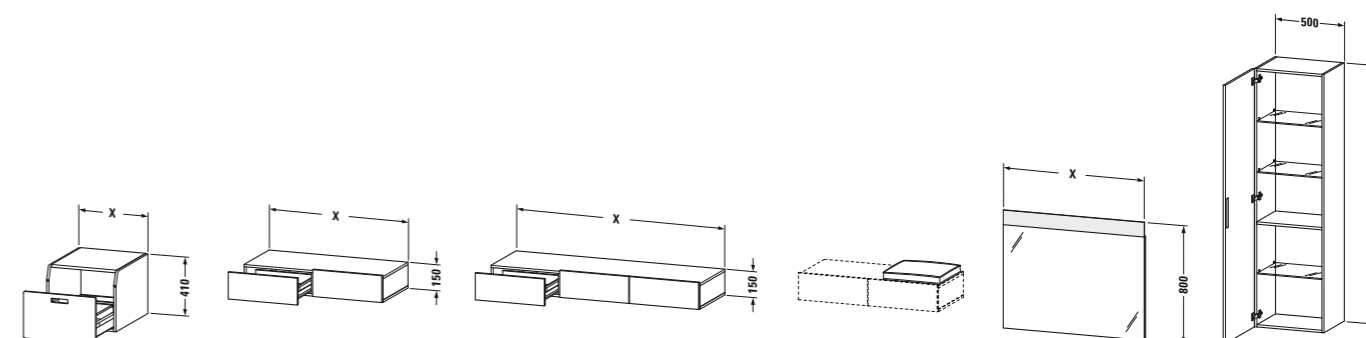
(l) Basin left (r) Basin right (m) Basin centred



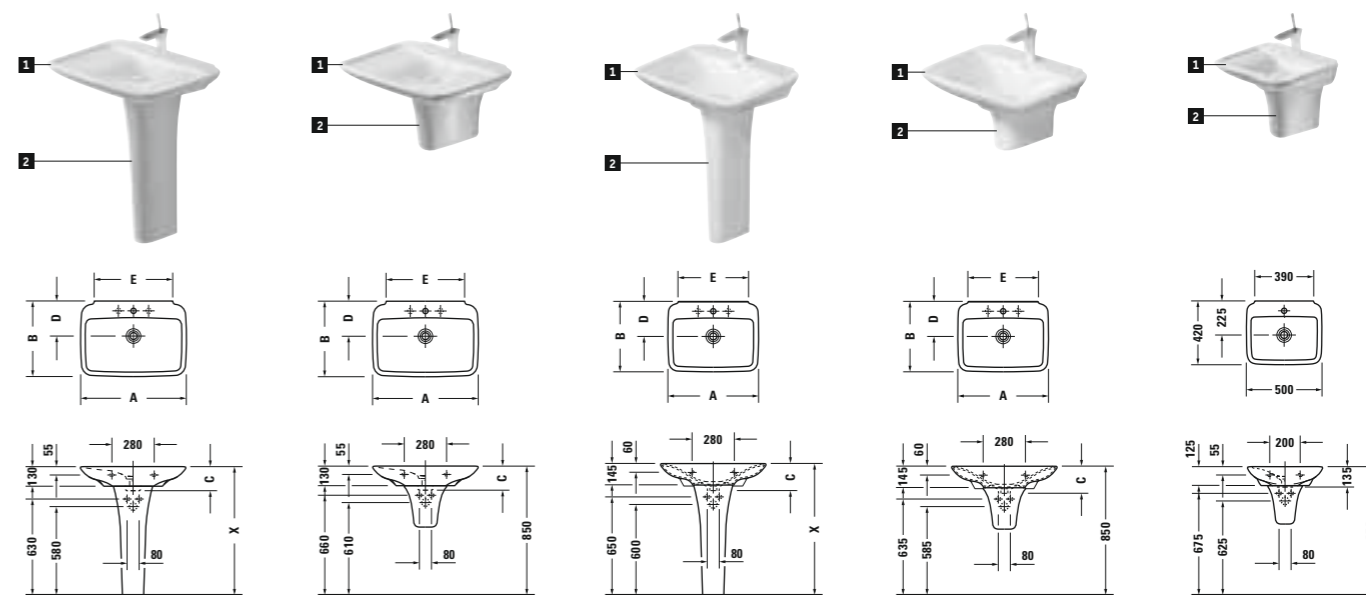
- # 2631520030 ●●●
- # 2630520030 ●●●
- # 2629430028 ☒
- # 2629430000 ☒



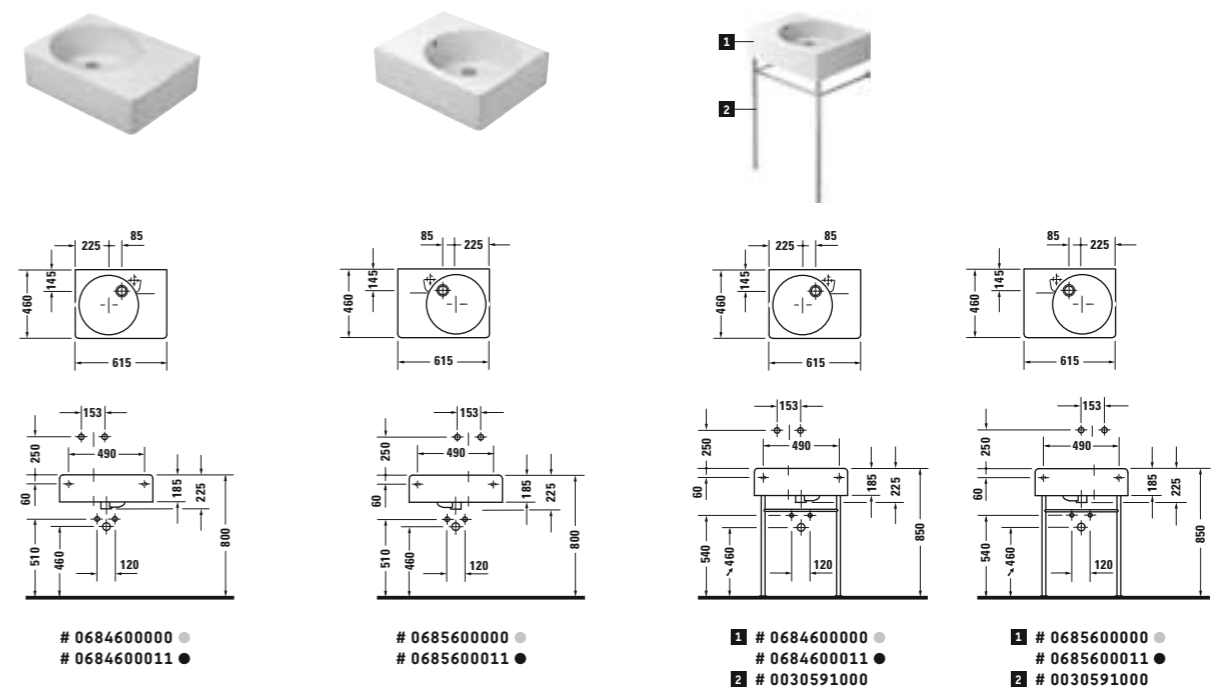
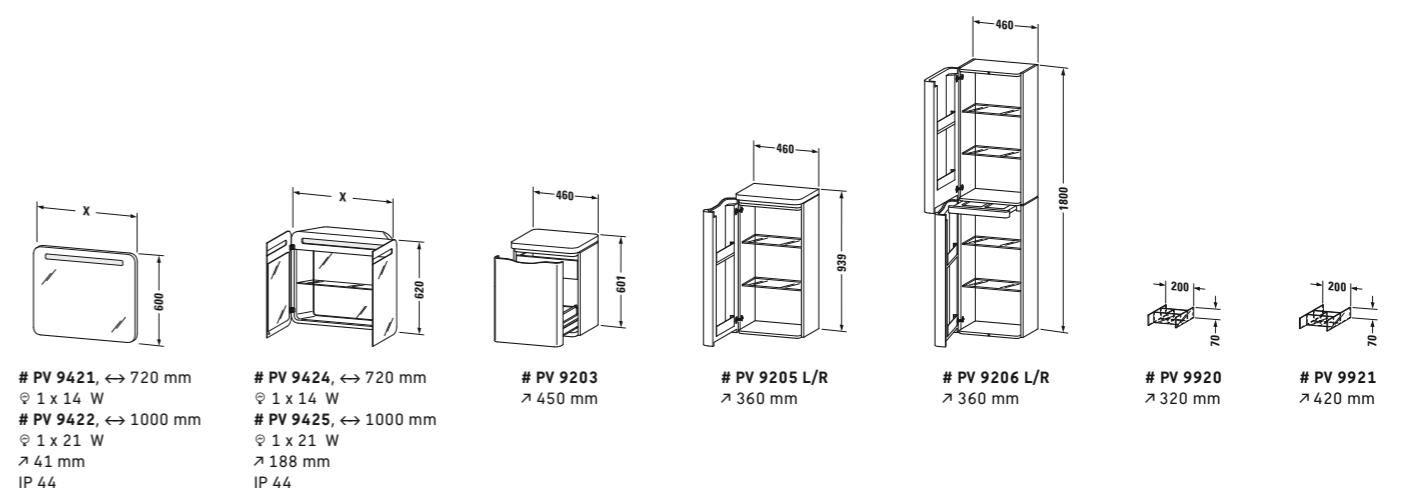
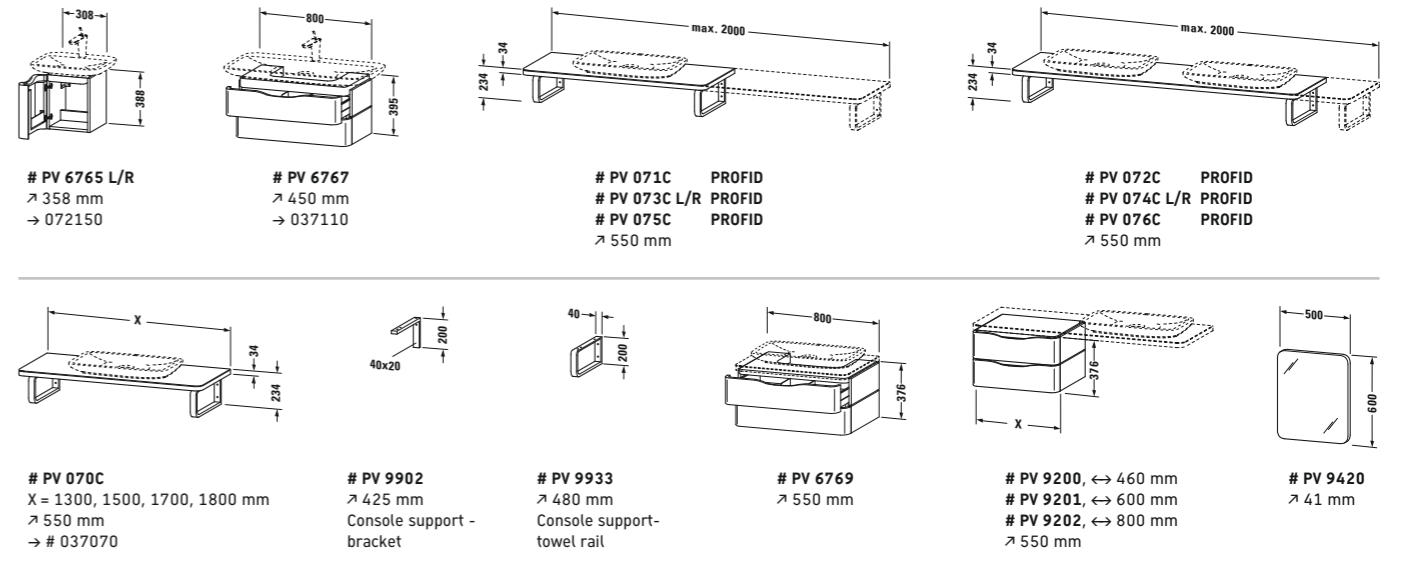
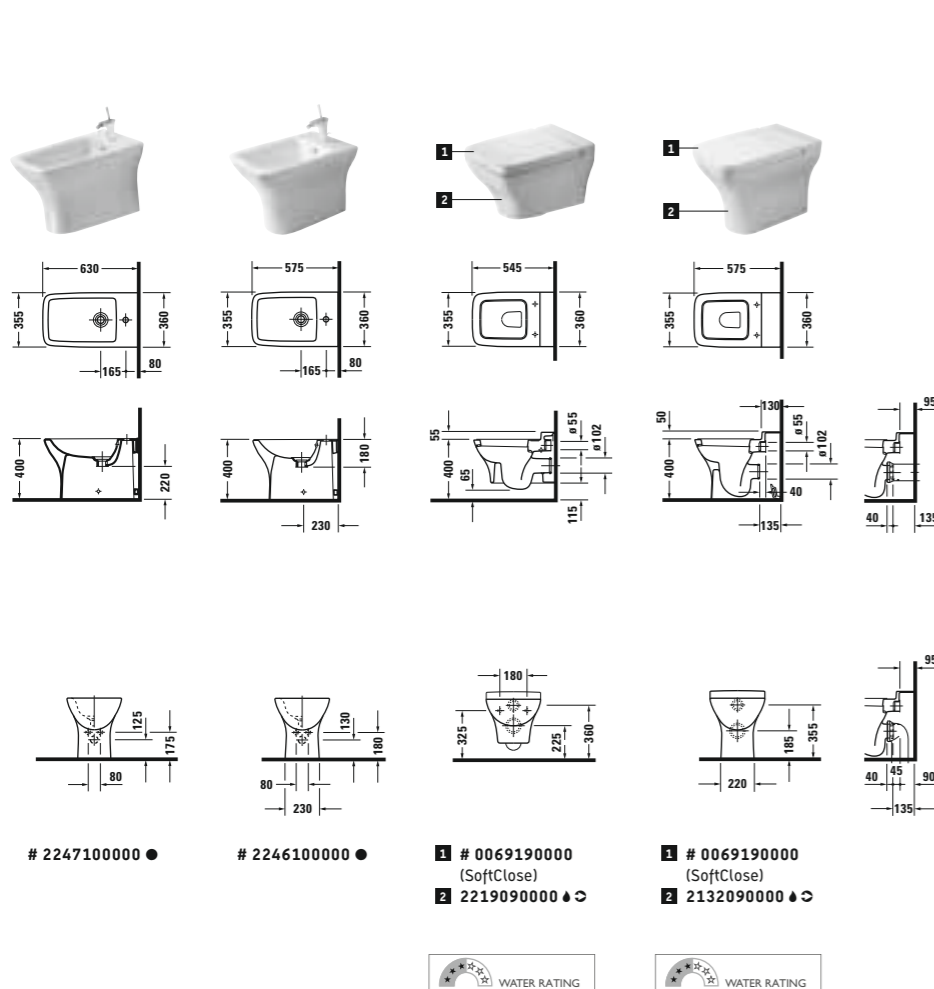
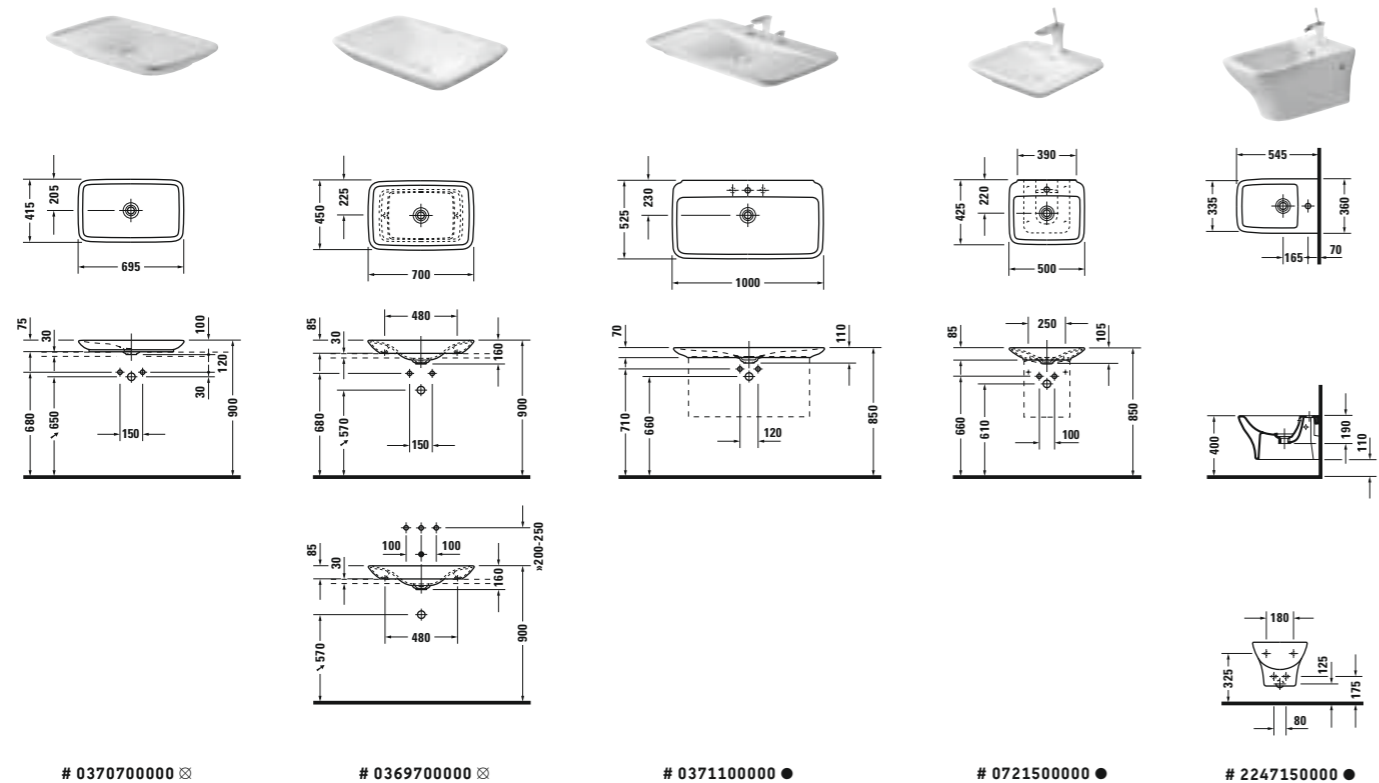
- # OT 6672 ↗ 506 mm
- # OT 828C ↗ 550 mm
- # OT 829C ↗ 550 mm
- # OT 9902 ↗ 425 mm Console support - bracket
- # OT 9933 ↗ 480 mm Console support - towel rail
- # OT 9926 ↗ 420 mm Console support hidden

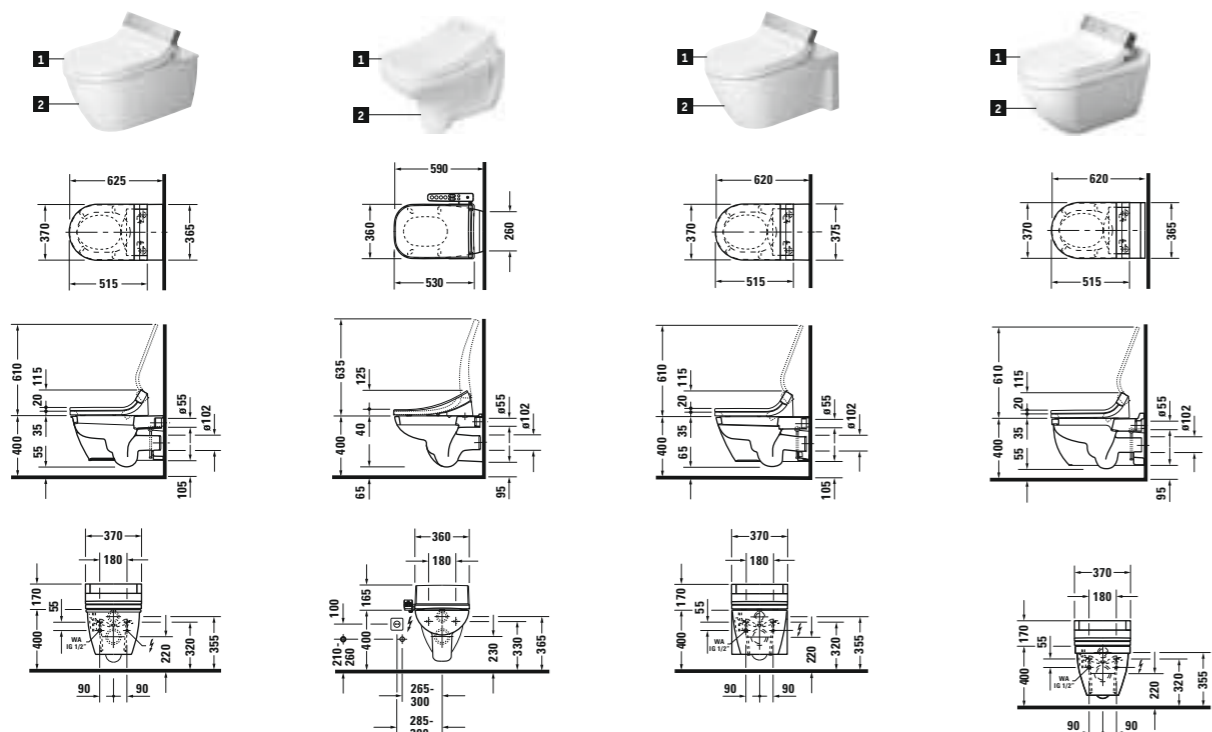


- # OT 2540, ↔ 400 mm
- # OT 2541, ↔ 500 mm
- # OT 2542, ↔ 600 mm
- ↗ 550 mm
- # OT 8270, ↔ 1000 mm
- # OT 8271, ↔ 1200 mm
- ↗ 440 mm
- # OT 8272, ↔ 1500 mm
- # OT 8273, ↔ 1800 mm
- ↗ 440 mm
- # OT 9938, ↔ 400 mm
- ↗ 400 mm
- # OT 7279, ↔ 440 mm
- ☉ 1 x 8 W
- # OT 7280, ↔ 1000 mm
- ☉ 1 x 21 W
- # OT 7281, ↔ 1200 mm
- ☉ 1 x 28 W
- ↗ 40 mm
- IP 44
- # OT 1280 L/R ↗ 360 mm



- | | | | | |
|-------------------|-------------------|-------------------|-------------------|----------------|
| # 2700700000 ● | # 2700700000 ● | # 2701700000 ● | # 2701700000 ● | # 0720500000 ● |
| # 2700700030 ●● | # 2700700030 ●● | # 2701700030 ●● | # 2701700030 ●● | # 0858130000 |
| # 2700600000 ●●● | # 2700600000 ●●● | # 2701600000 ●●● | # 2701600000 ●●● | |
| # 2700600030 ●●●● | # 2700600030 ●●●● | # 2701600030 ●●●● | # 2701600030 ●●●● | |
| # 0858100000 | # 0858120000 | # 0858100000 | # 0858120000 | |



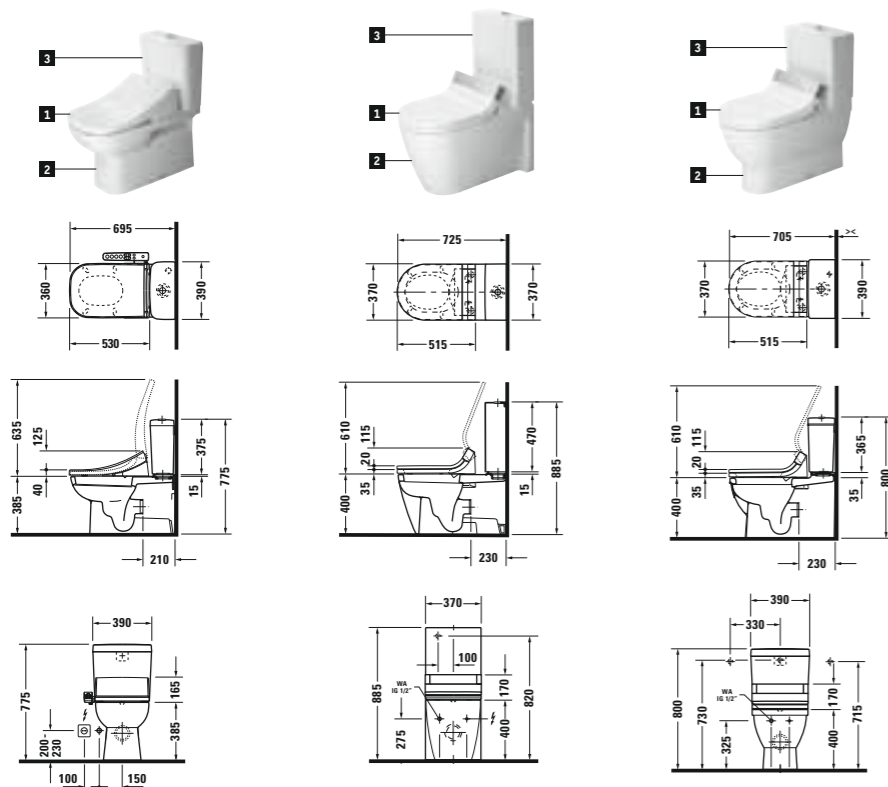


Dartling New
610001 00 00*
2544590000

D-Code
610100 00 00*
2223090000
not available in Australia and New Zealand

Starck 2
610001 00 00*
2533590000

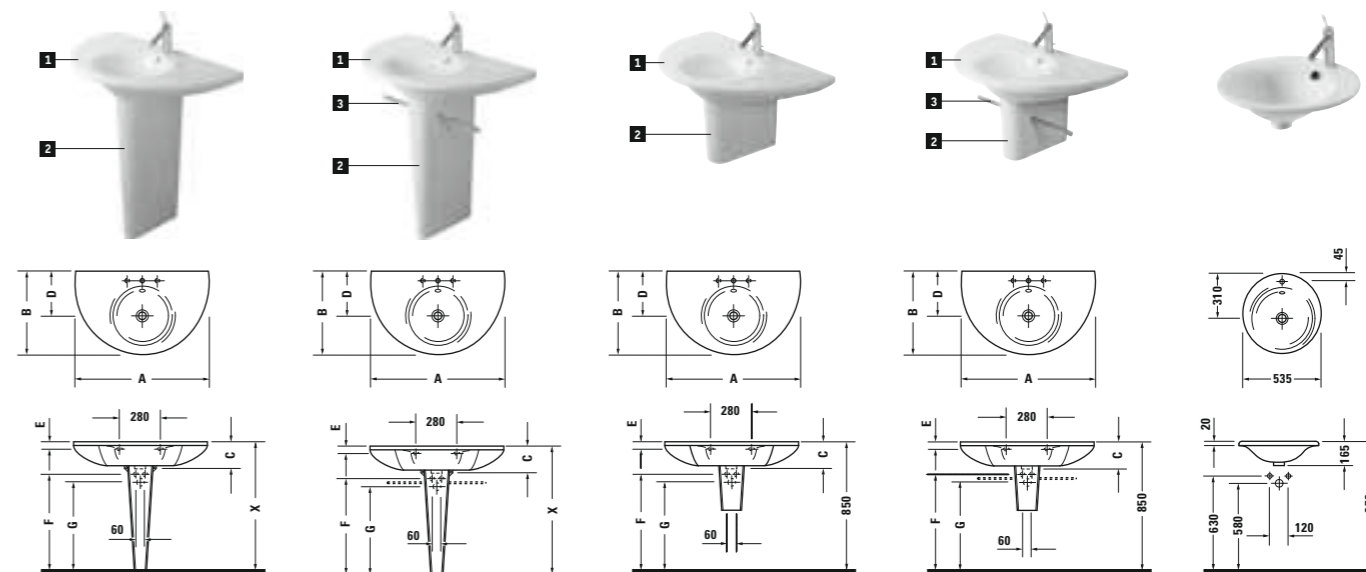
Starck 3
610001 00 00*
2226590000



D-Code
610100 00 00*
2142090000
0927300005
0927300004
not available in Australia and New Zealand

Starck 2
610001 00 00*
2129590000
0933000005

Starck 3
610001 00 00*
2141590000
0921000005



0405900000
0405900030
0405750000
0405750030
0863500000

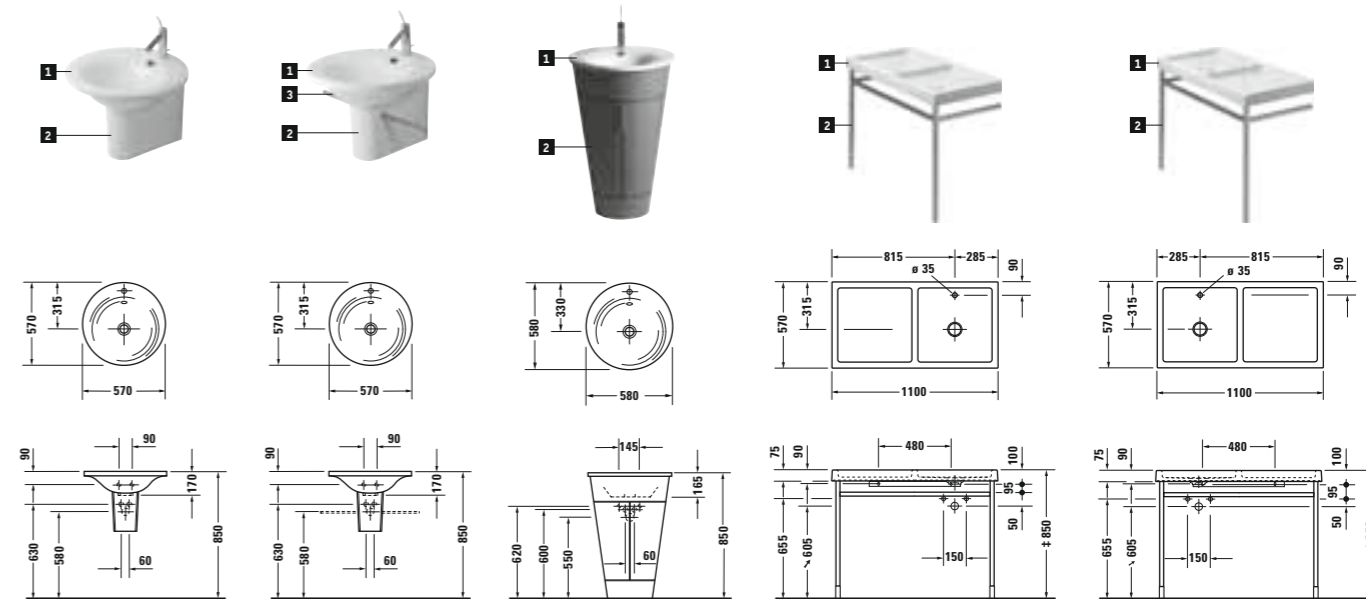
0405900000
0405900030
0405750000
0405750030
0863510000
0030501000

0405900000
0405900030
0405750000
0405750030
0863550000

0405900000
0405900030
0405750000
0405750030
0863560000
0030501000

0407530000

Table with 7 columns (A, B, C, D, E, F, G) and 2 rows of dimensions.



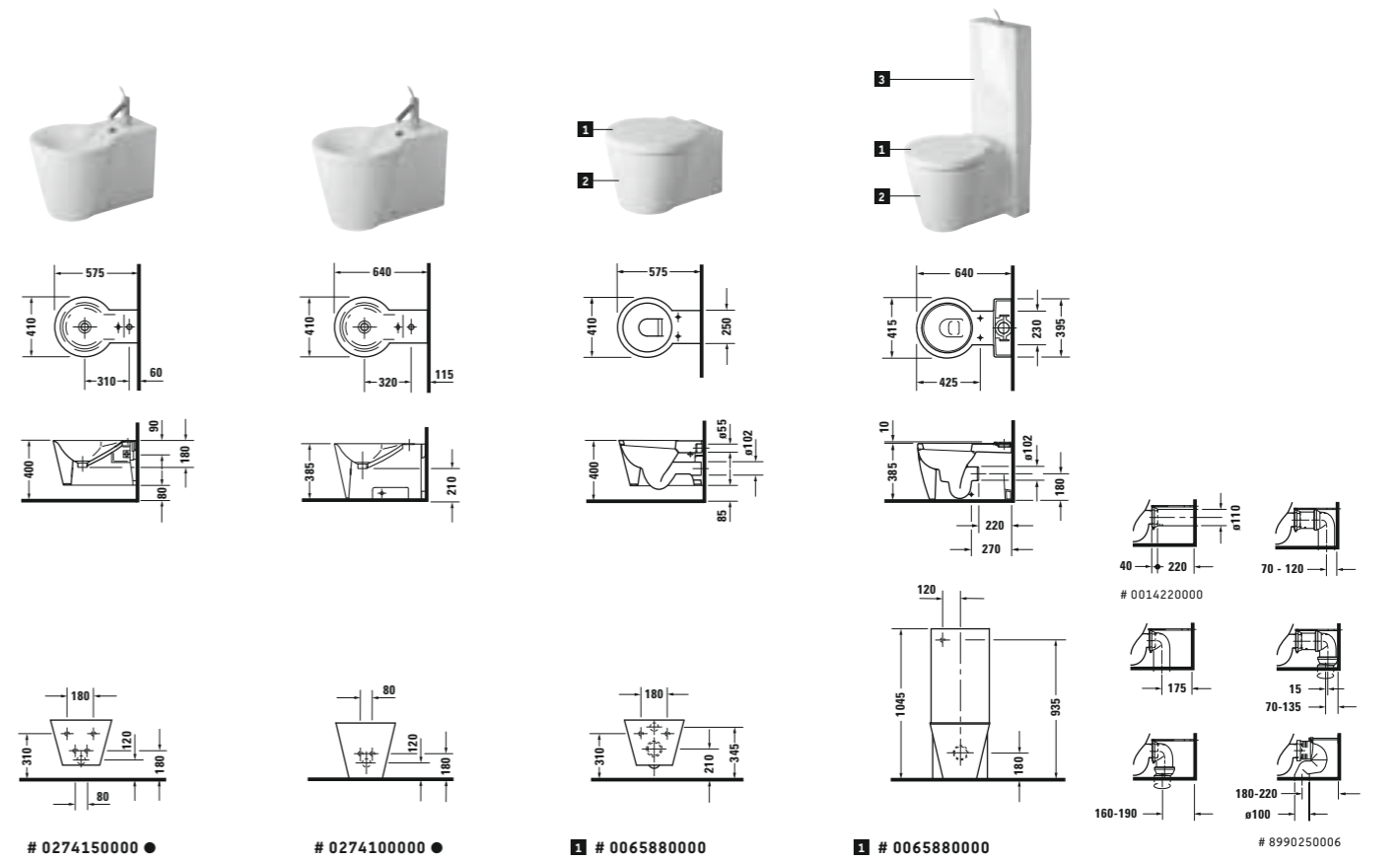
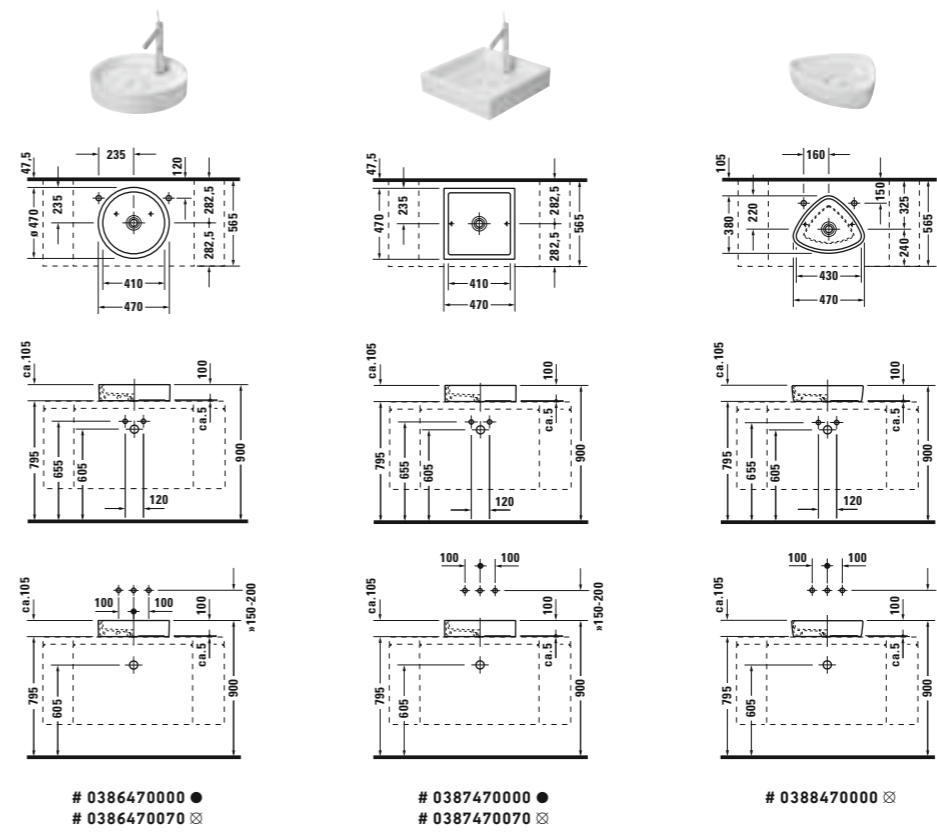
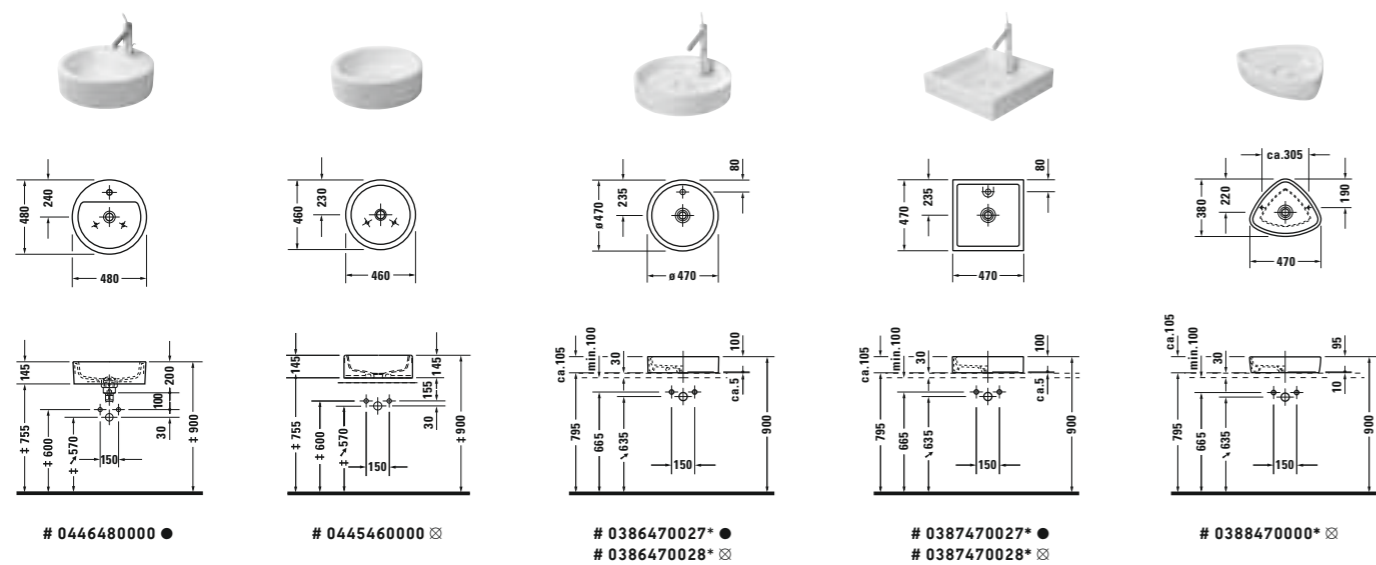
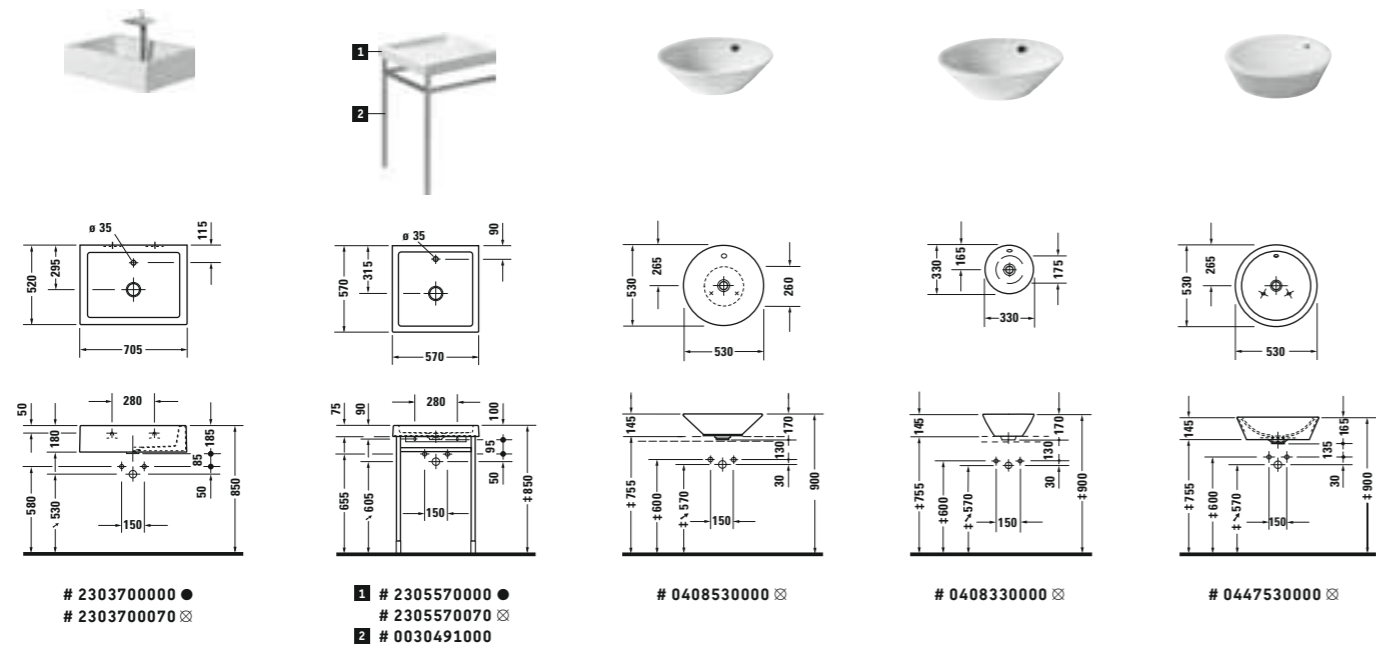
0405570000
0863520000

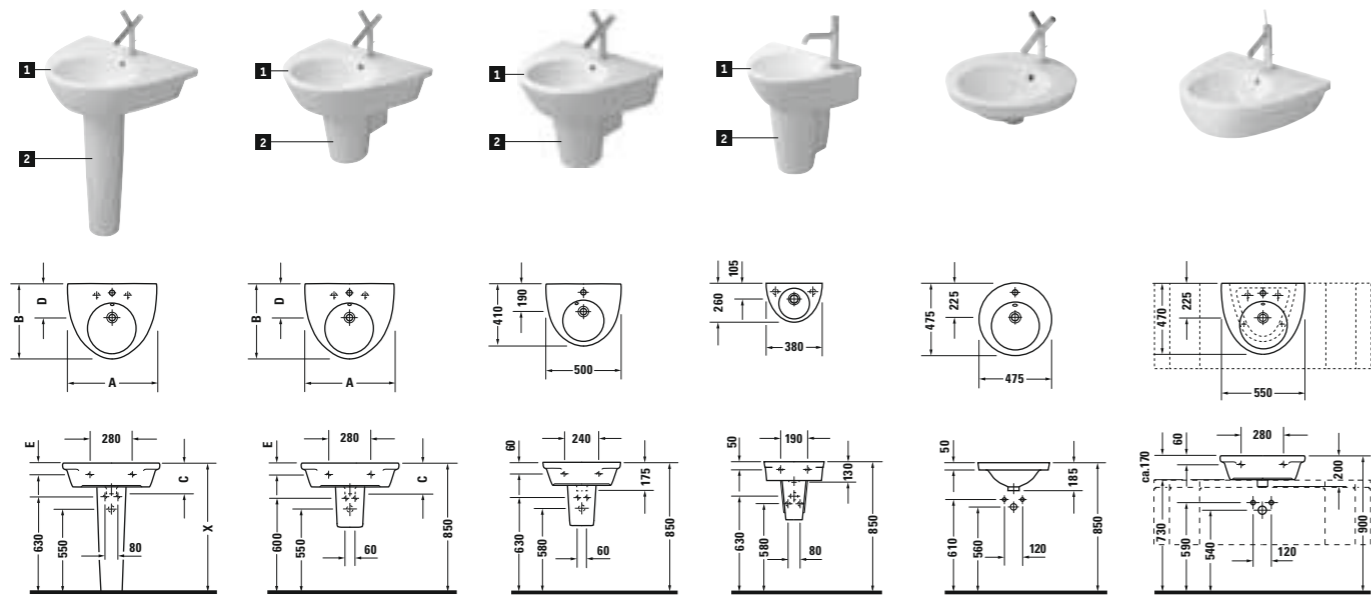
0405570000
0863530000
0030501000

0406580000
S1 9520

2309100000
2309100070
0030481000

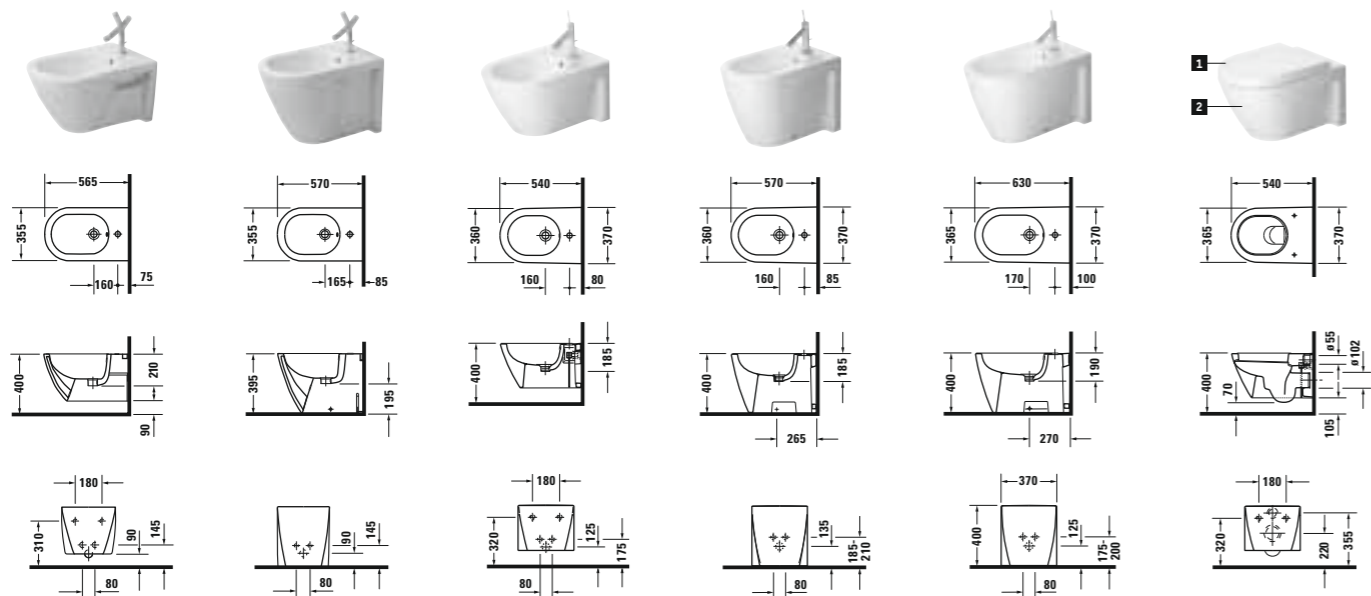
2307100000
2307100070
0030481000



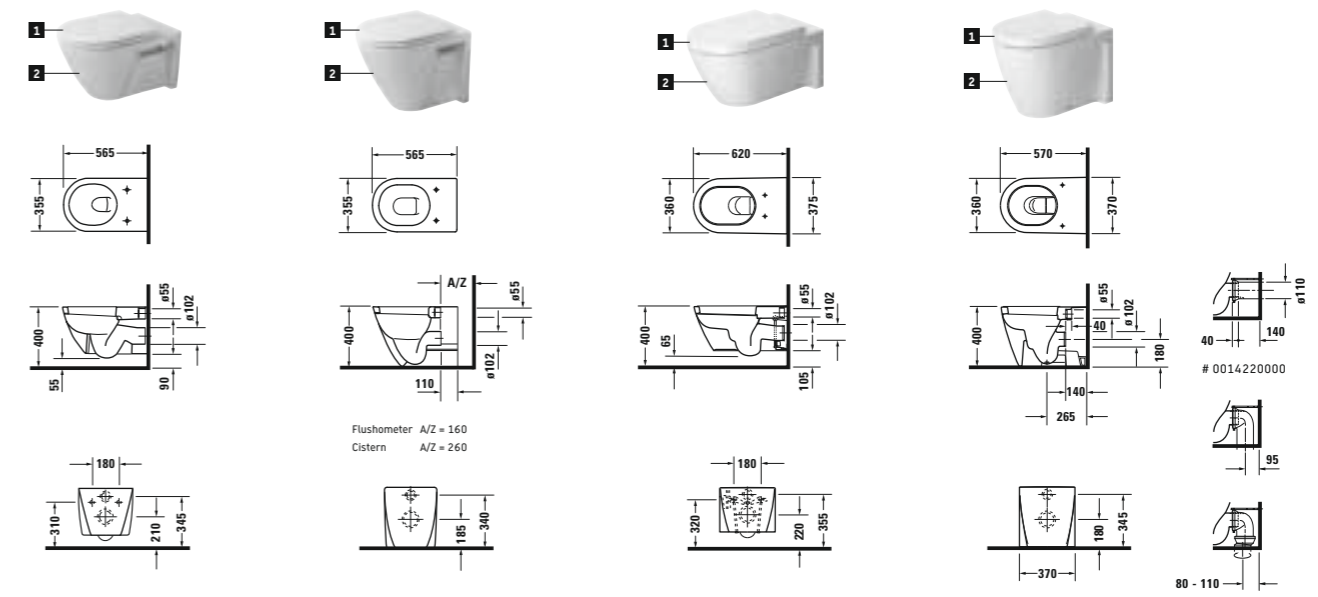


- # 0411650000 ●
 - # 0411650030 ●●●
 - # 0411600000 ●●
 - # 0411600030 ●●●
 - # 0411550000 ●●
 - # 0411550030 ●●●
 - # 0863800000
- # 0411650000 ●
 - # 0411650030 ●●●
 - # 0411600000 ●●
 - # 0411600030 ●●●
 - # 0411550000 ●●
 - # 0411550030 ●●●
 - # 0863810000
- # 0761500000 ●
 - # 0863820000
- # 0761380000 ●●
 - # 0761380008 ●●(r)
 - # 0761380009 ●●(l)
 - # 0863830000
- # 0478470000 ●●
- # 0411550027 ●●
 - # 0411550025 ●●●●

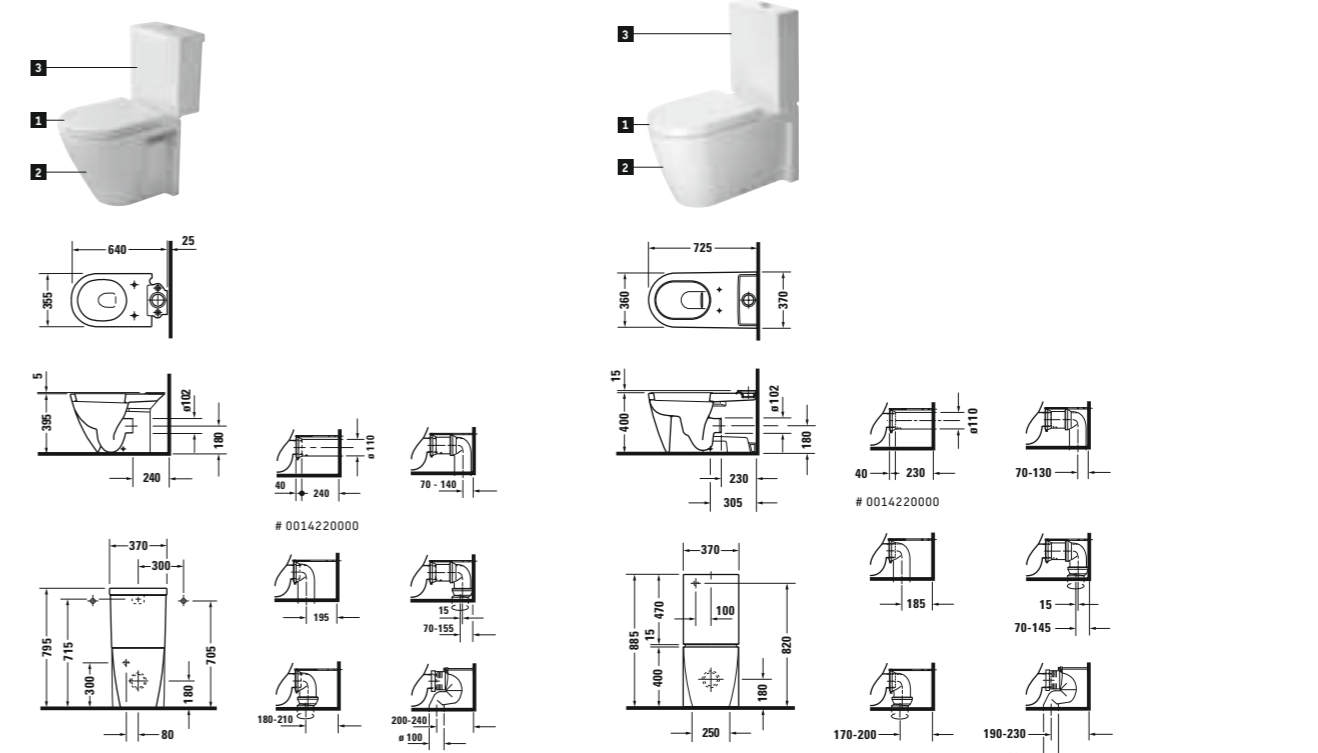
	A	B	C	D	E
650	650	510	205	220	75
600	600	500	200	225	70
550	550	470	200	225	60



- # 0263150000 ●
- # 0263100000 ●
- # 2271150000 ●
- # 2255100000 ●
- # 2272100000 ●
- # 0069810000
- # 0069890000 (SoftClose)
- # 2534090000 ●●

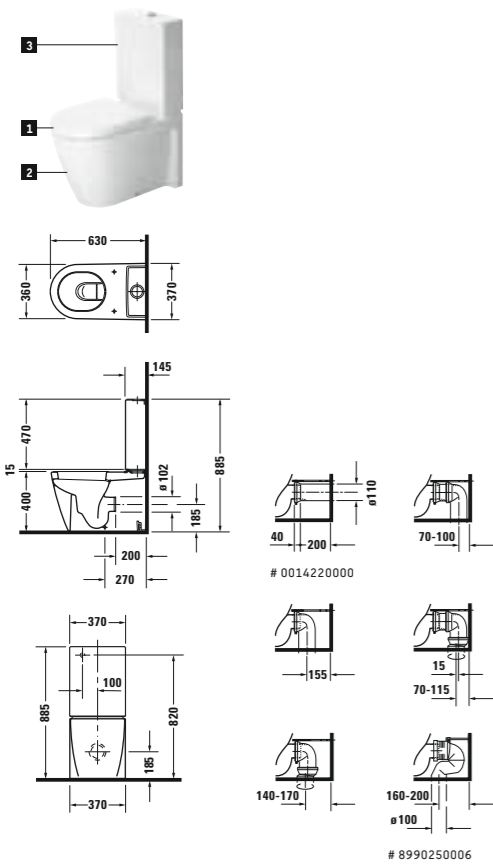


- # 0066910000
 - # 0066990000 (SoftClose)
 - # 0160090000 ●●
- # 0066910000
 - # 0066990000 (SoftClose)
 - # 0162090000 ●●
- # 0063320000
 - # 0063390000 (Automatic closure)
 - # 2533090000 ●●
- # 0069890000 (SoftClose)
 - # 2128090000 ●●



- # 0066910000
 - # 0066990000 (SoftClose)
 - # 0238090000 ●●
 - # 8729100005 ●●
- # 0063320000
 - # 0063390000 (Automatic closure)
 - # 2129090000 ●●
 - # 0933000005 (only for United Kingdom) ●
 - # 0933000085 (only for Australia and New Zealand) ●

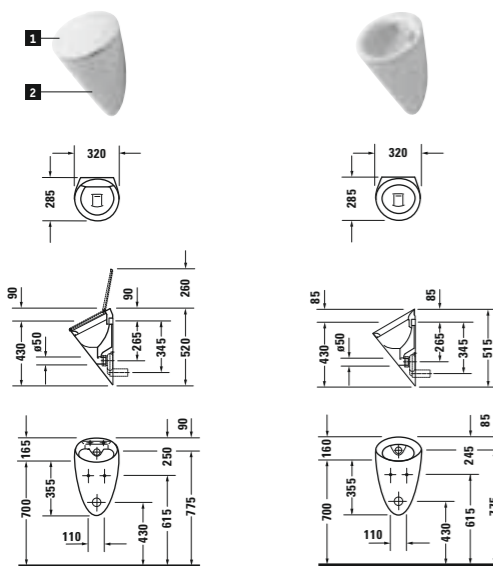




- 1 # 0069890000 (SoftClose)
- 2 # 2145090000
- 3 # 0933000005 (only for United Kingdom)
- # 0933000085 (only for Australia and New Zealand)

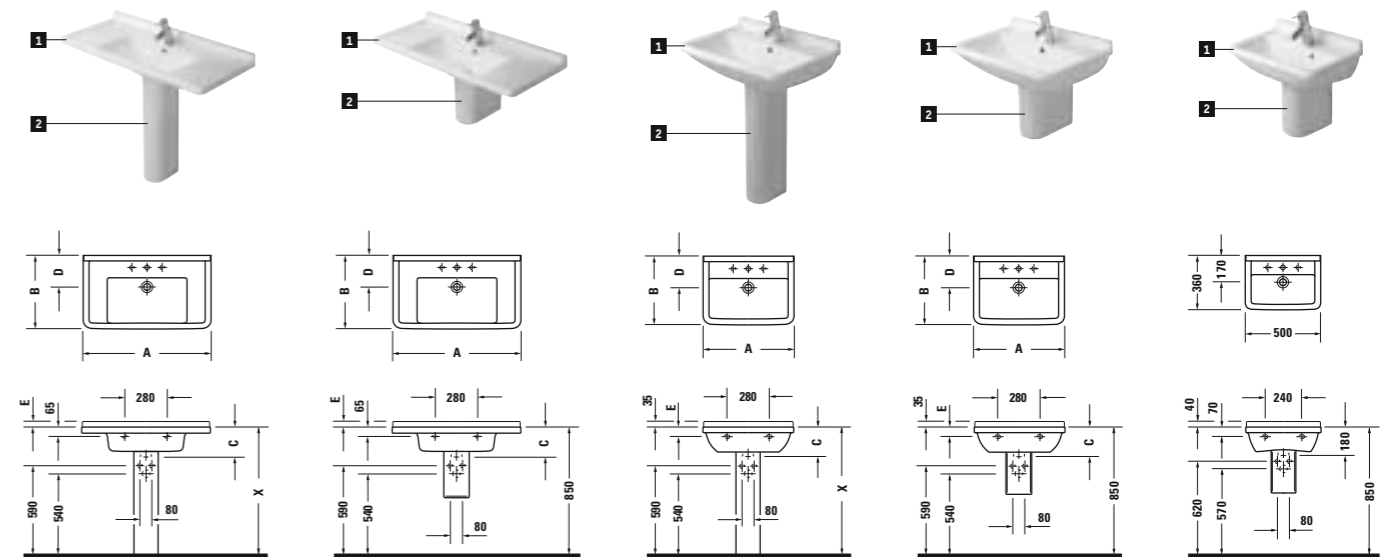
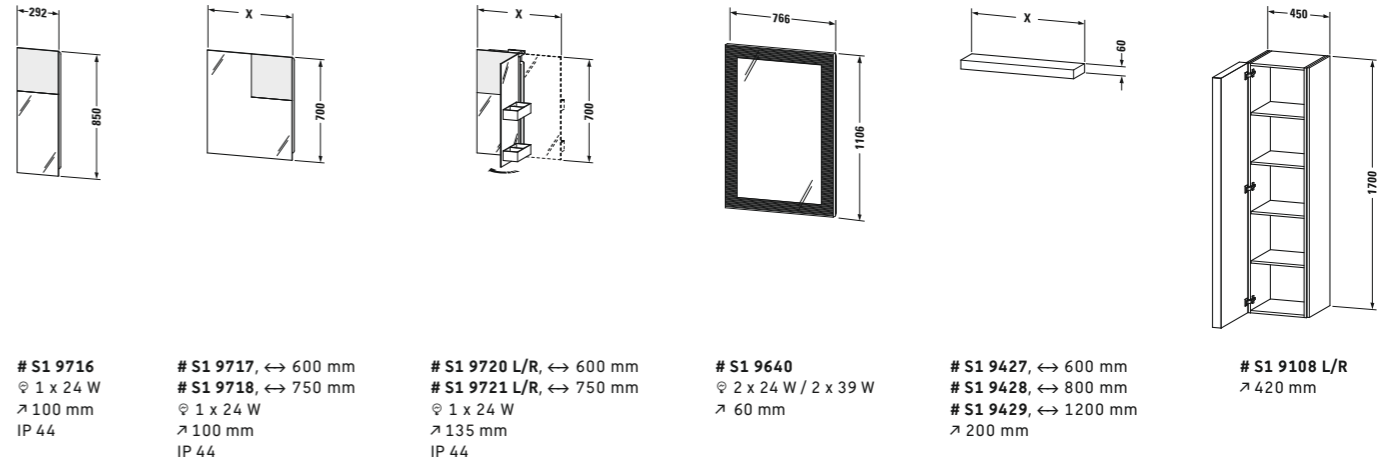
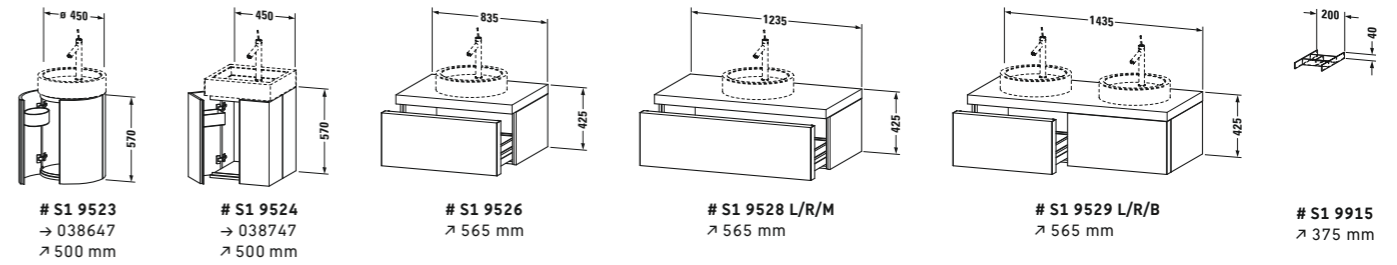


Starck 1 / Starck 2

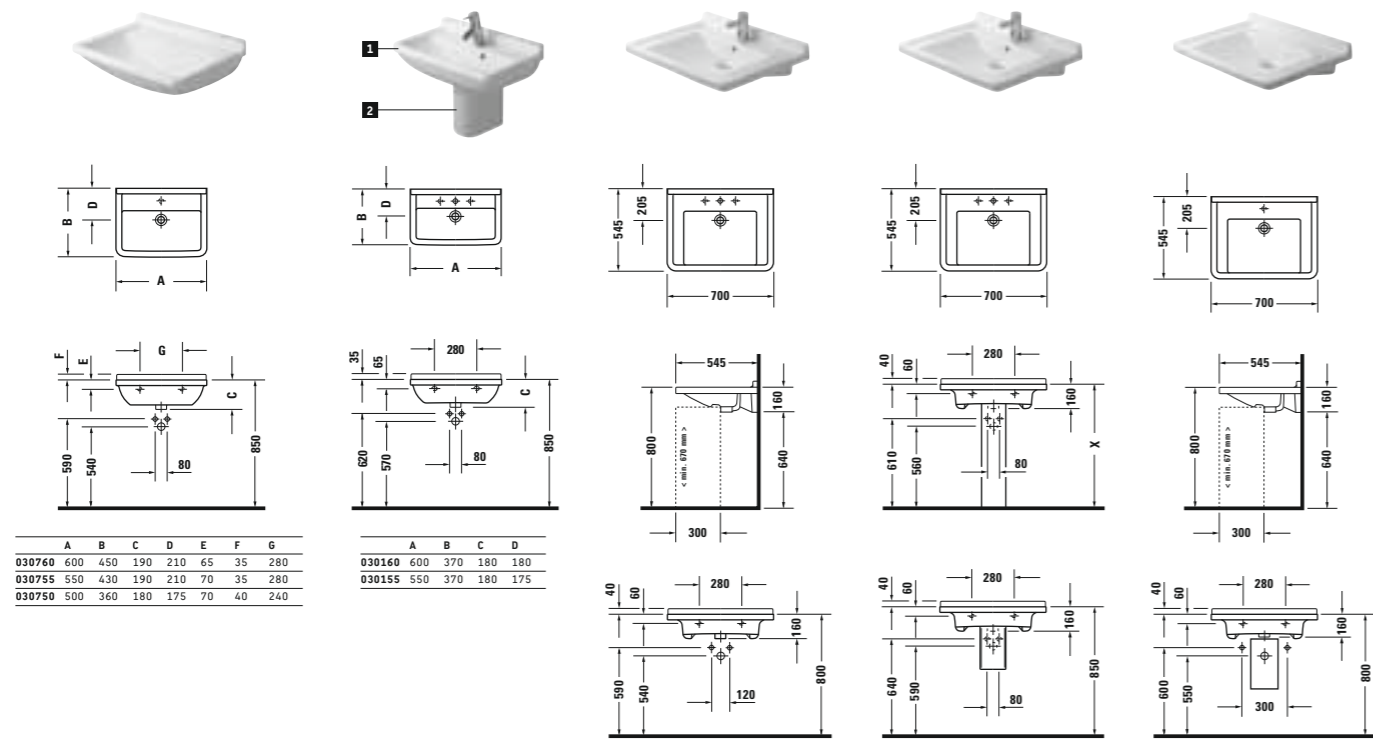


- 1 # 0065910000
- 2 # 0835320000
- # 0835320007
- # 0050411000 Urinal screen
- # 0834320000
- # 0834320007
- # 0050411000 Urinal screen
- *

* Australia / New Zealand: Wels rating pending
United Kingdom: District Surveyor Approval Required



- | | A | B | C | D | E |
|--------------|------|-----|-----|-----|----|
| # 0304100030 | 1050 | 485 | 190 | 210 | 35 |
| # 0304800000 | 850 | 485 | 190 | 210 | 35 |
| # 0304700000 | 700 | 490 | 195 | 210 | 40 |
-
- | | A | B | C | D | E |
|--------------|-----|-----|-----|-----|----|
| # 0300650000 | 650 | 485 | 200 | 210 | 65 |
| # 0300650030 | 600 | 450 | 190 | 210 | 65 |
| # 0300600000 | 550 | 430 | 190 | 210 | 70 |



	A	B	C	D	E	F	G
030740	600	450	190	210	65	35	280
030755	550	430	190	210	70	35	280
030750	500	360	180	175	70	40	240

	A	B	C	D
030140	600	370	180	180
030155	550	370	180	175

	A	B	C	D
030970	600	370	180	180
030970	550	370	180	175

	A	B	C	D
030970	600	370	180	180
030970	550	370	180	175

	A	B	C	D
031270	600	370	180	180
031270	550	370	180	175

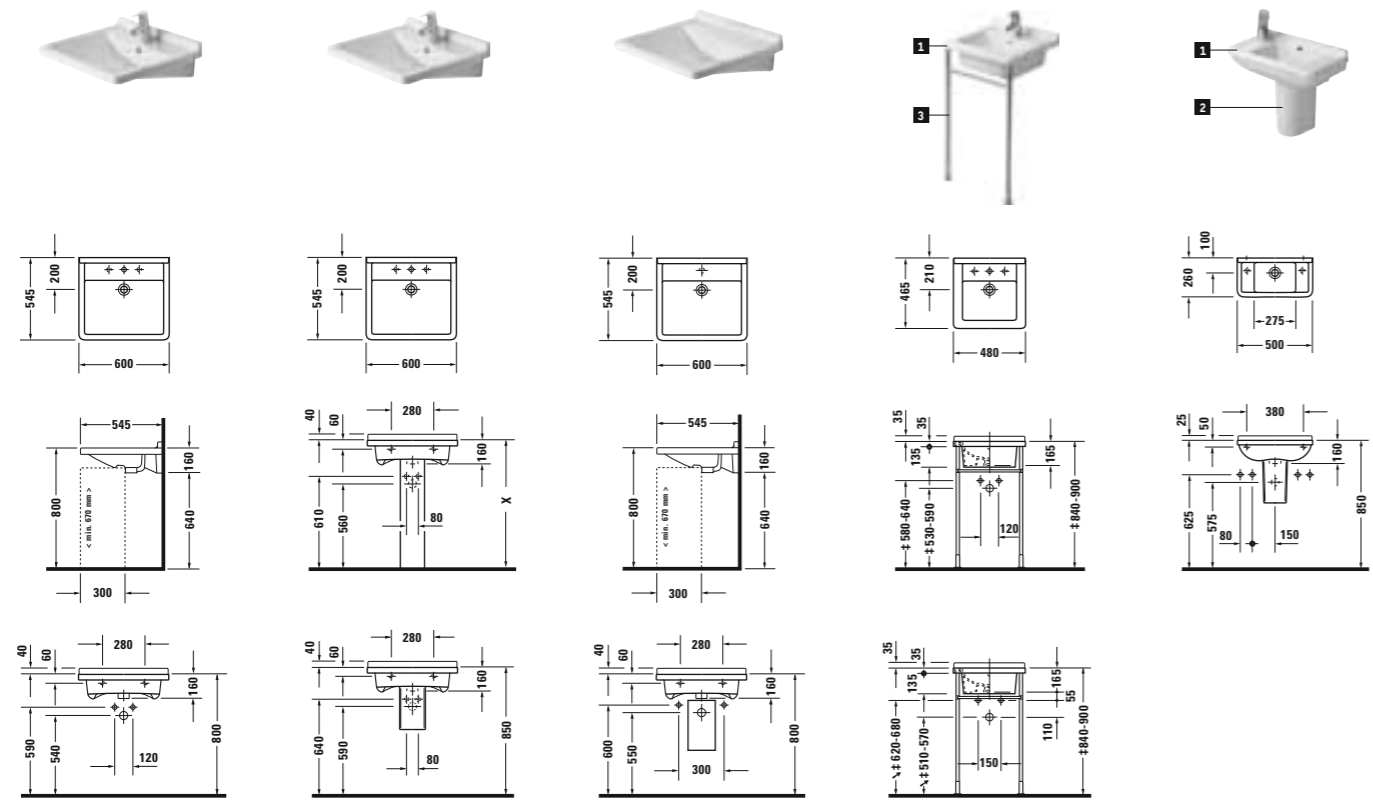
- # 0307600000 ●
- # 0307550000 ●
- # 0307500000 ●

- 1 # 0301600000 ●
- # 0301600030 ●●●
- # 0301550000 ●●●
- # 0301550030 ●●●
- 2 # 0865170000 ●

- # 0309700000 ●
- # 0309700030 ●●●

- # 0309700000 ●
- # 0309700030 ●●●
- # 0865160000 ●
- # 0865150000 ●

- # 0312700000 ●



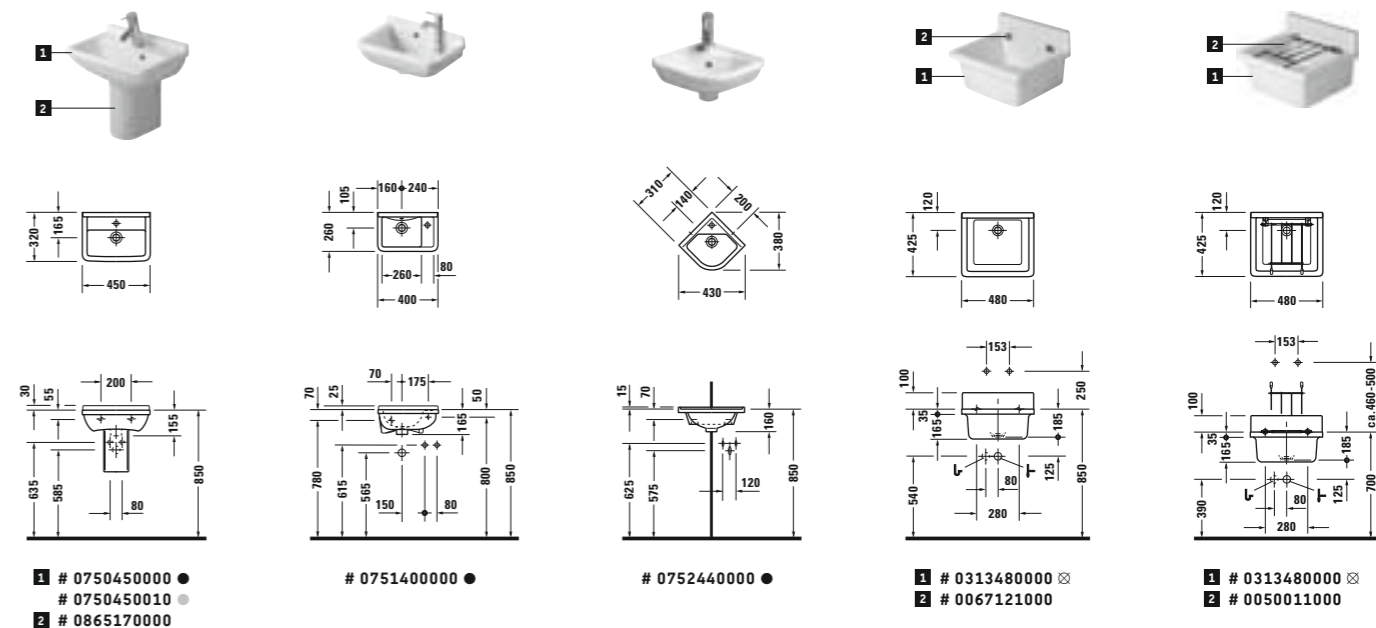
- # 0309600000 ●○●

- # 0309600000 ●○●
- # 0865160000 ●●●
- # 0865150000 ●●●

- # 0312600000 ●

- 1 # 0303480000 ●○●
- # 0303480030 ●●●
- 3 # 0030641000 ●●●

- 1 # 0751500000 ☒
- # 0751500008 ● (right)
- # 0751500009 ● (left)
- 2 # 0865180000 ●



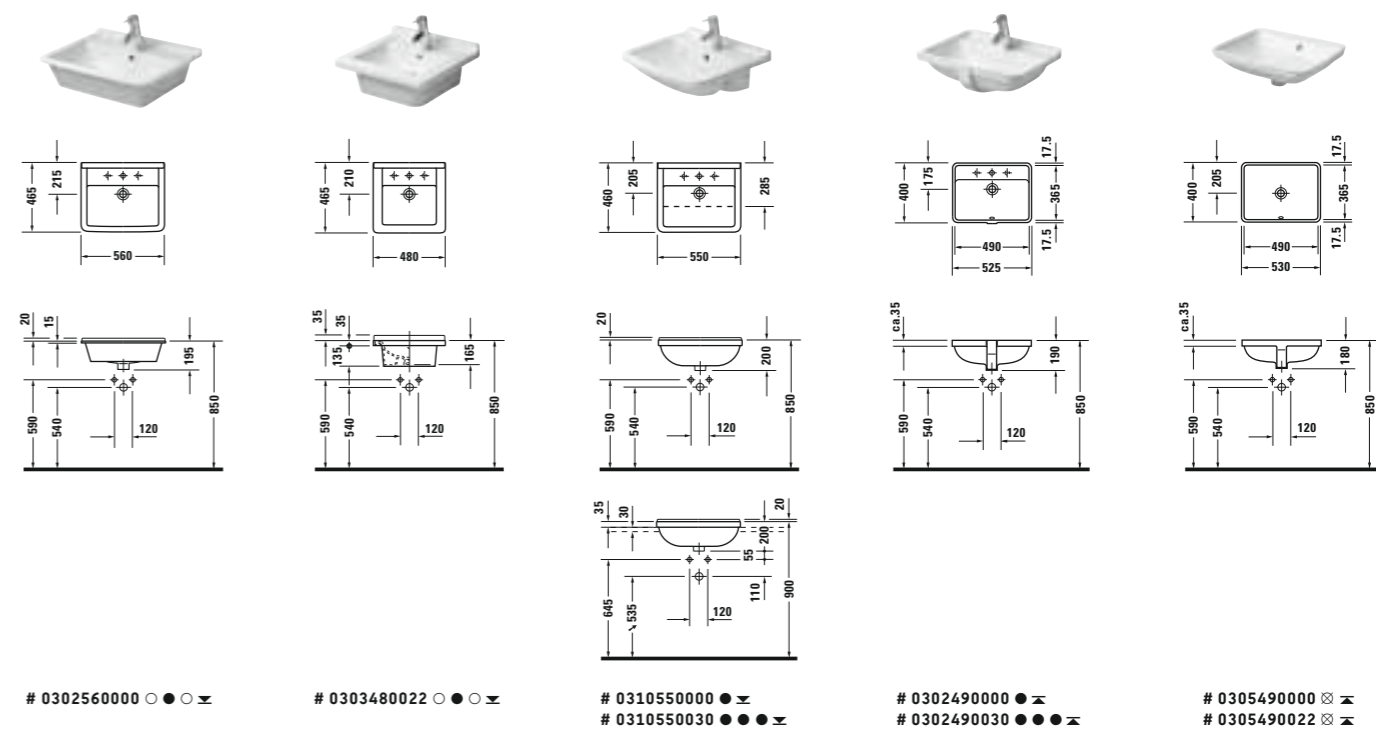
- 1 # 0750450000 ●
- # 0750450010 ●
- 2 # 0865170000 ●

- # 0751400000 ●

- # 0752440000 ●

- 1 # 0313480000 ☒
- 2 # 0067121000 ●

- 1 # 0313480000 ☒
- 2 # 0050011000 ●



- # 0302560000 ○●○

- # 0303480022 ○●○

- # 0310550000 ●☒
- # 0310550030 ●●●☒

- # 0302490000 ●☒
- # 0302490030 ●●●☒

- # 0305490000 ☒☒
- # 0305490022 ☒☒



- # 0305430000 ☒☒

1 # 0332130000 ●
2 # 0332130030 ● ● ● ●
2 # 0865160000

1 # 0332130000 ●
2 # 0332130030 ● ● ● ●
2 # 0865150000

1 # 0303480000 ○ ○ ○ ○
2 # 0303480030 ● ● ● ●

1 # 2230150000 ●
2 # 2280150000 ●

→ KT 6662 L/R

→ XL 6525 L/R

1 # 2231150000 ●
2 # 2281150000 ●

1 # 2230100000 ●
2 # 2234100000 ●

1 # 0063810000
2 # 0063890000 (SoftClose)
2 # 2200090000 ▲ ◻

1 # 0063810000
2 # 0063890000 (SoftClose)
2 # 2225090000 ▲ ◻

1 # 0063810000
2 # 0063890000 (SoftClose)
2 # 2202090000 ▲ ◻

1 # 0062410000
2 # 0062610000
2 # 2203090000 ▲ ◻

Not available in Australia and New Zealand

1 # 0063810000
2 # 0063890000 (SoftClose)
2 # 2206090000 ▲ ◻

1 # 2231150000 ●
2 # 2281150000 ●

1 # 2230100000 ●
2 # 2234100000 ●

1 # 0063810000
2 # 0063890000 (SoftClose)
2 # 2200090000 ▲ ◻

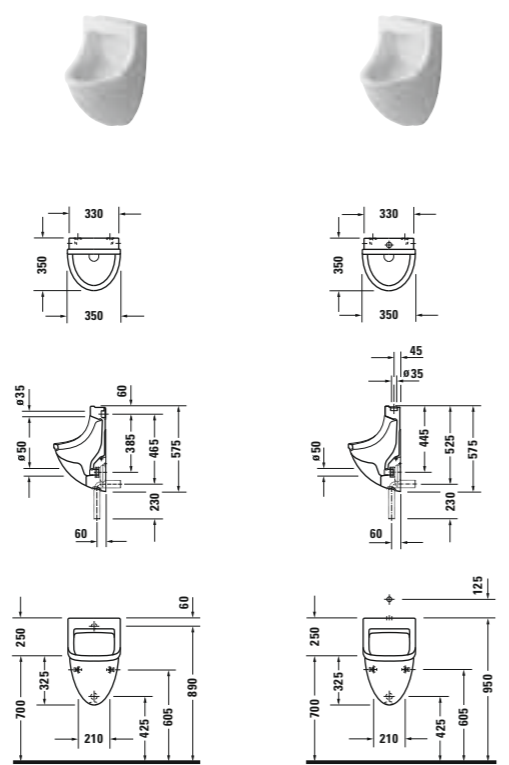
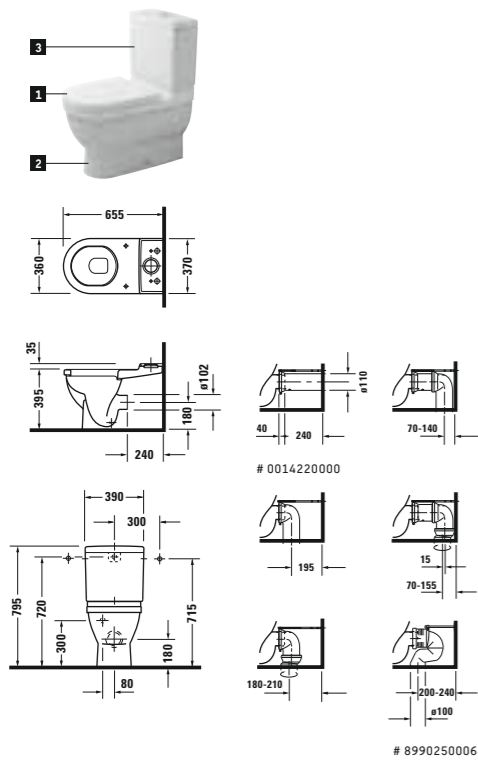
1 # 0063810000
2 # 0063890000 (SoftClose)
2 # 2225090000 ▲ ◻

1 # 0063810000
2 # 0064390000 (Automatic closure)
2 # 0063320000
2 # 0063390000 (Automatic closure)
2 # 2226090000 ▲ ◻

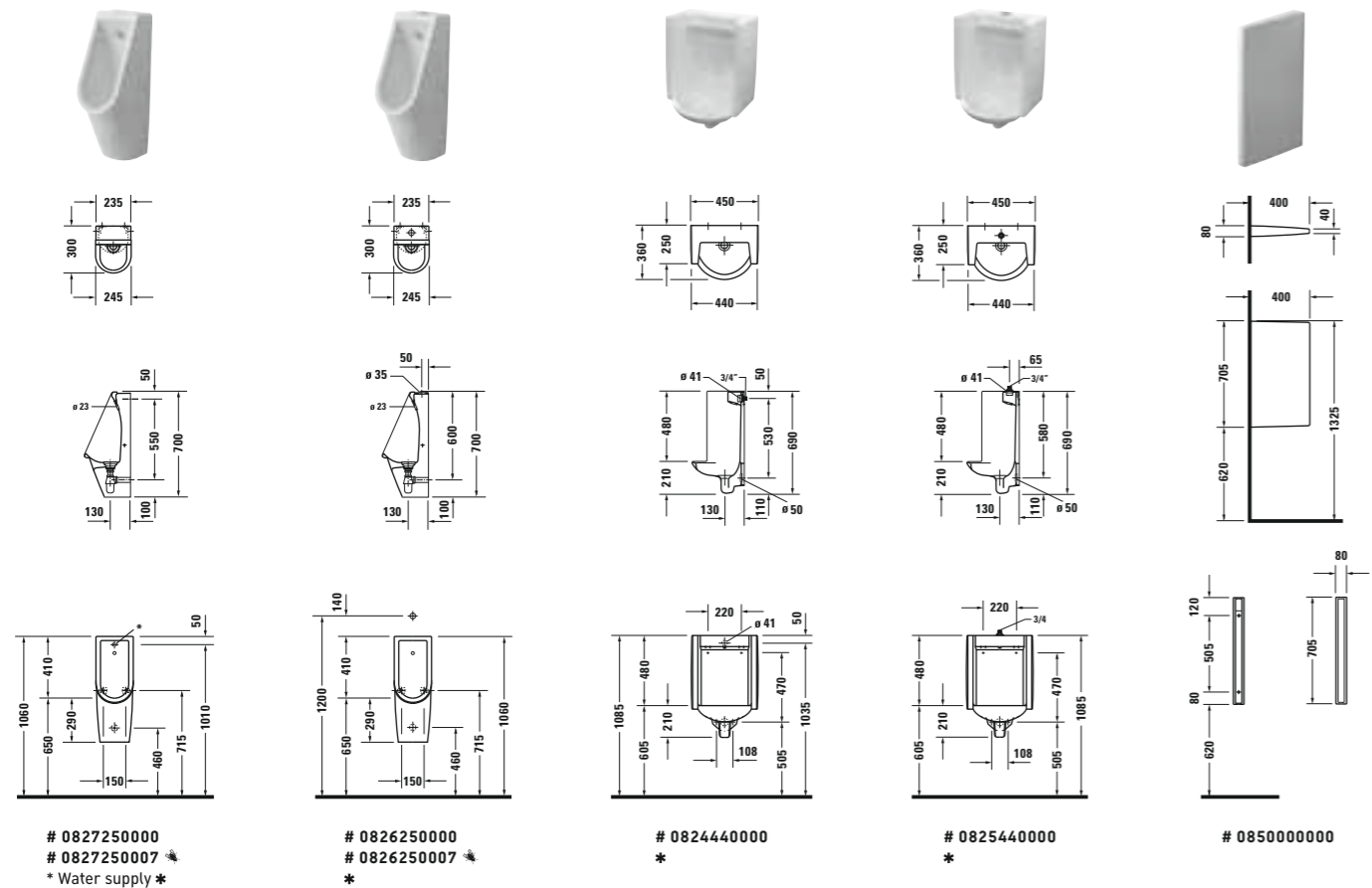
Not available in Australia and New Zealand

1 # 0063810000
2 # 0063890000 (SoftClose)
2 # 0124090000 ▲ ◻ ◻ ◻

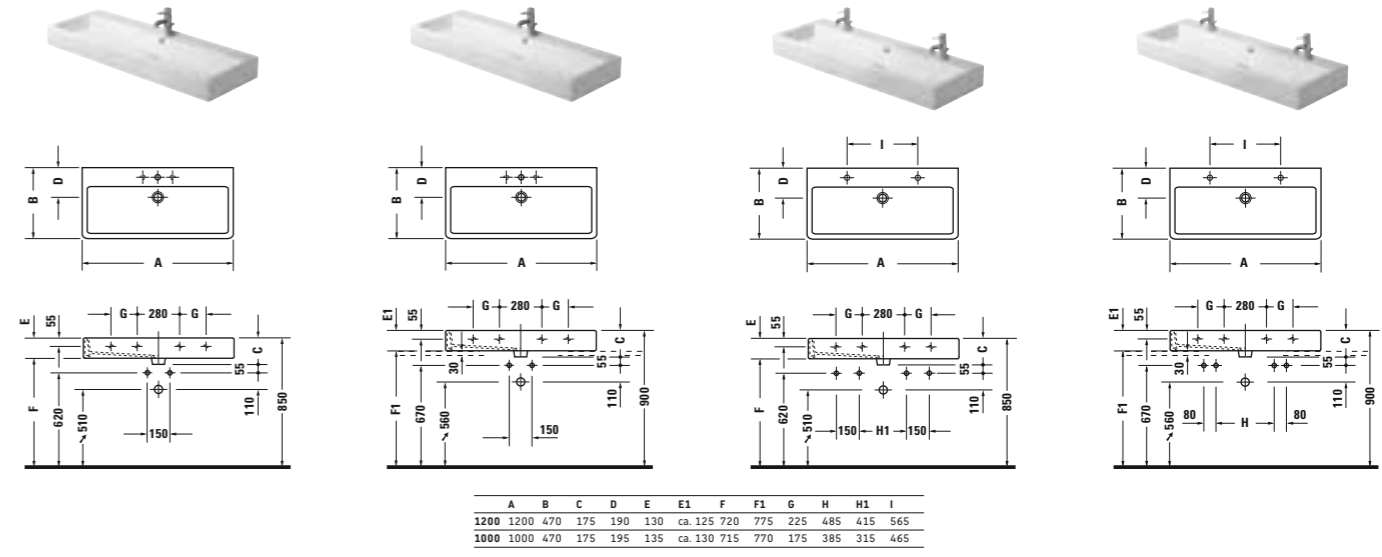
1 # 0063810000
2 # 0063890000 (SoftClose)
3 # 0126090000 ▲ ◻ ◻ ◻
3 # 0920100005 ▲ ◻ ◻ ◻
3 # 0920500005 ▲ ◻ ◻ ◻ (only for Australia/New Zealand)



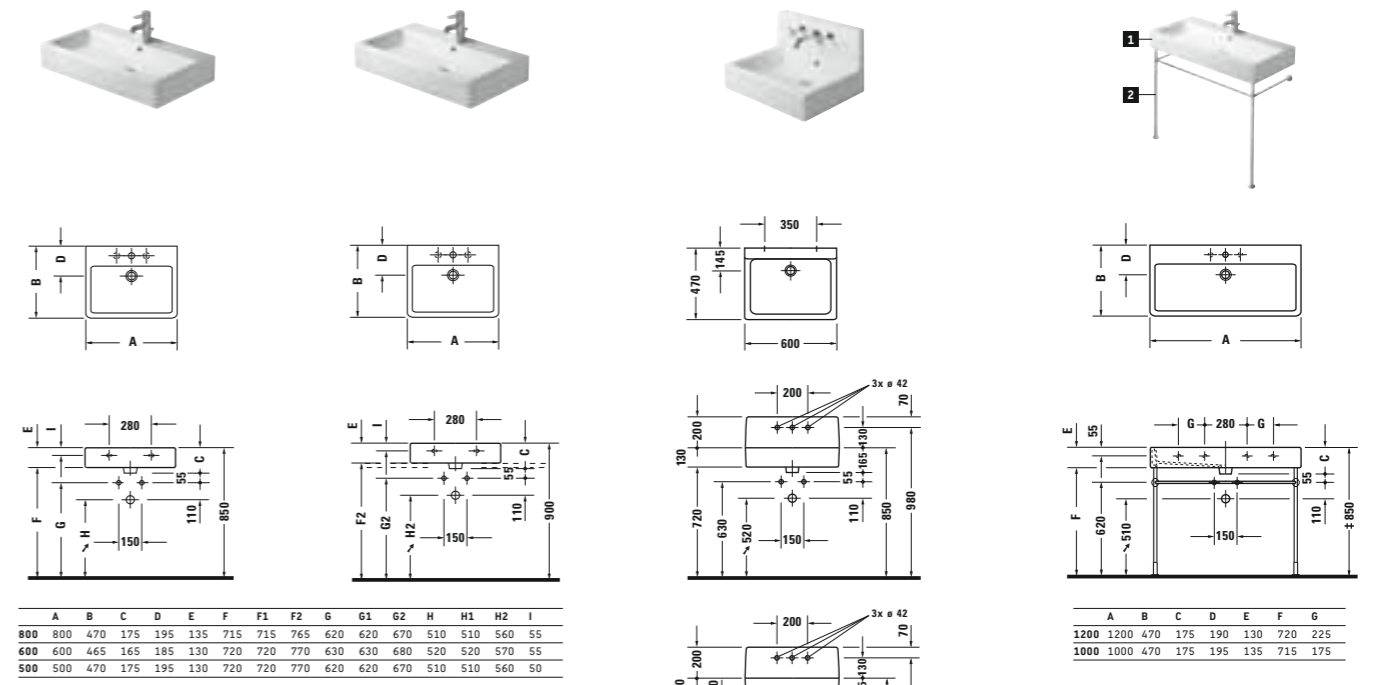
- 1 # 0063810000
0063890000
(SoftClose)
- 2 # 0128090000 ♣ ♣ ♣
0128090064 ♣ ♣ ♣
(only for Australia/New Zealand)
- 3 # 0920100005 ♣ ♣ ♣
0920500005 ♣ ♣ ♣
(only for Australia/New Zealand)



* Australia / New Zealand: Wels rating pending
United Kingdom: District Surveyor Approval Required

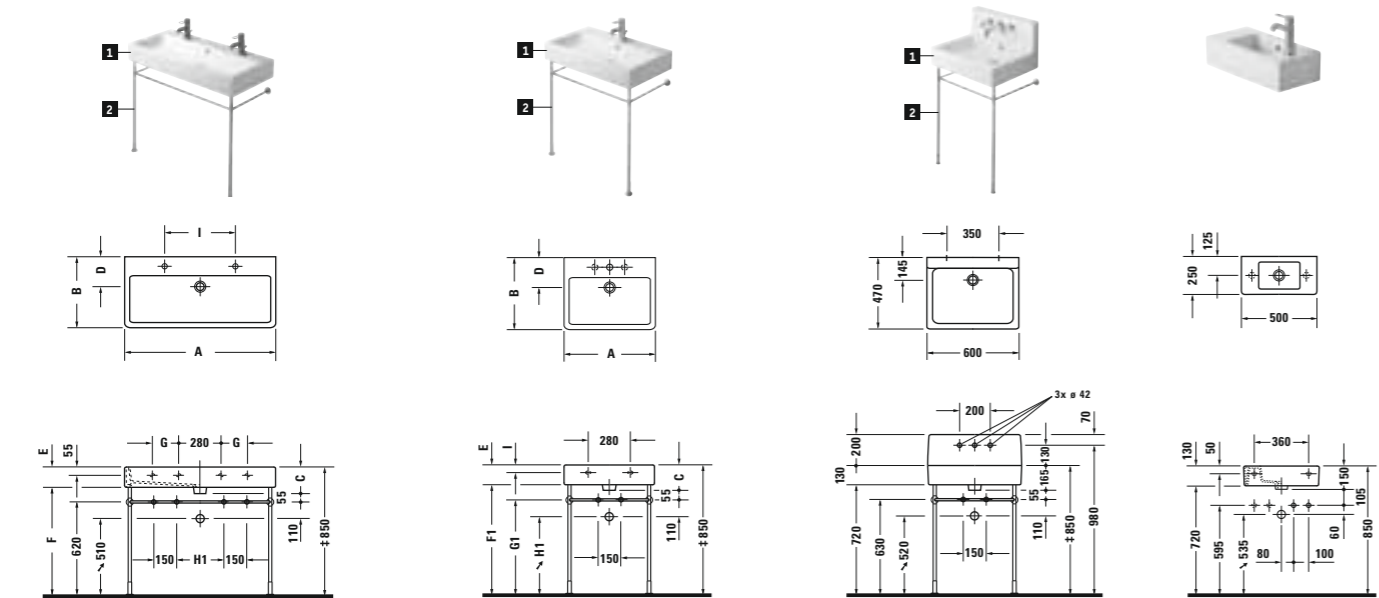


- # 045412..00 ●
- # 045412..30 ●●
- # 045412..60 ⊗
- # 045410..00 ●
- # 045410..30 ●●
- # 045410..60 ⊗
- # 045412..27* ●
- # 045412..25* ●●
- # 045412..28* ⊗
- # 045410..27* ●
- # 045410..25* ●●
- # 045410..28* ⊗
- # 045412..24 ● ●
- # 045410..24 ● ●
- # 045412..26* ● ●
- # 045410..26* ● ●



- # 045480..00 ●
- # 045480..30 ●●
- # 045480..60 ⊗
- # 045460..00 ●
- # 045460..30 ●●
- # 045460..60 ⊗
- # 045450..00 ●
- # 045450..30 ●●
- # 045450..60 ⊗
- # 045480..25* ●
- # 045480..27* ●●
- # 045480..28* ⊗
- # 045460..25* ●
- # 045460..27* ●●
- # 045460..28* ⊗
- # 045450..25* ●
- # 045450..27* ●●
- # 045450..28* ⊗
- # 0453600000 ●●●
- # 0453600025* ●●●
- 1 # 045412..00 ●
- # 045412..30 ●●
- # 045412..60 ⊗
- 2 # 0030741000**
- 1 # 045410..00 ●
- # 045410..30 ●●
- # 045410..60 ⊗
- 2 # 0030671000**

* Washbasin grinded in combination with consoles. ** Height-adjustable



A	B	C	D	E	F	G	H1	I	
1200	1200	470	175	190	130	720	225	415	565
1000	1000	470	175	195	135	715	175	315	465

A	B	C	D	E	F1	G1	H1	I	
800	800	470	175	195	135	715	620	510	55
600	600	465	165	185	130	720	630	520	55
500	500	470	175	195	130	720	620	510	50

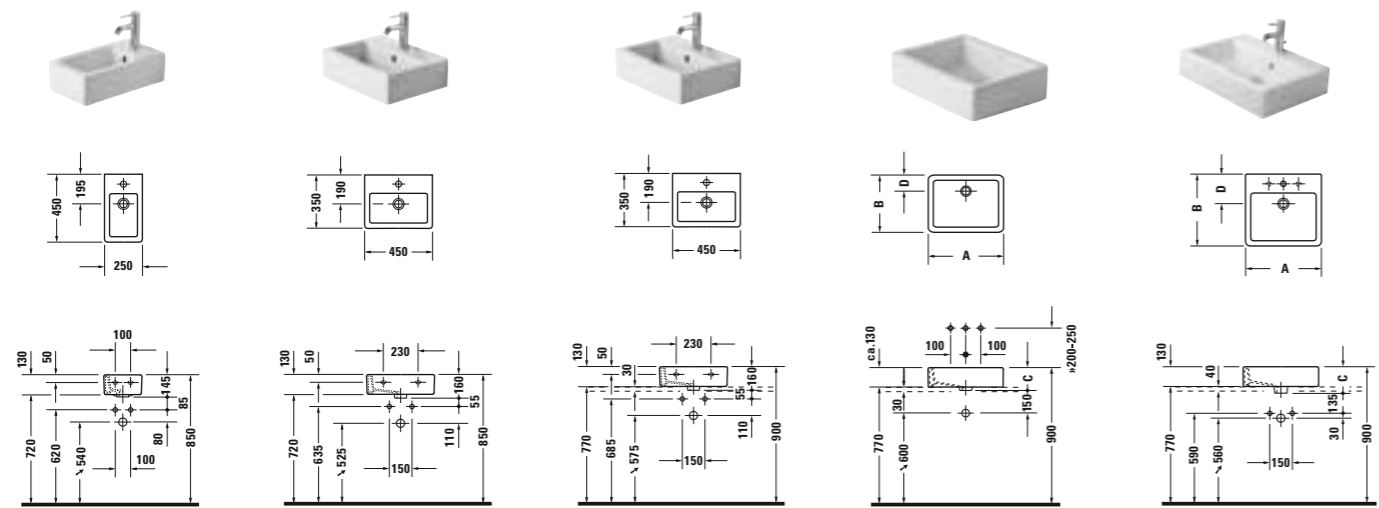
A	B	C	D	E	F	G	H1	I	
600	600	465	165	185	130	720	630	520	55
500	500	470	175	195	130	720	620	510	50

- 1 # 045412..24 ● ●
- 2 # 0030741000**
- 1 # 045410..24 ● ●
- 2 # 0030671000**

- 1 # 045480..00 ● ●
- # 045480..30 ● ● ● ●
- # 045480..60 ☒
- 2 # 0030661000**
- 1 # 045460..00 ● ●
- # 045460..30 ● ● ● ●
- # 045460..60 ☒
- 2 # 0030631000**
- 1 # 045450..00 ● ●
- # 045450..30 ● ● ● ●
- # 045450..60 ☒
- 2 # 0030651000**

- 1 # 0453600000 ● ●
- 2 # 0030631000**

- # 0703500000 ● ●
- # 0703500008 ● (r)
- # 0703500009 ● (l)



A	B	C	D	
600	600	380	150	100
500	500	380	150	105

A	B	C	D	
600	595	465	165	185
500	500	470	175	195

A	B	C	D	
600	600	380	150	100
500	500	380	150	105

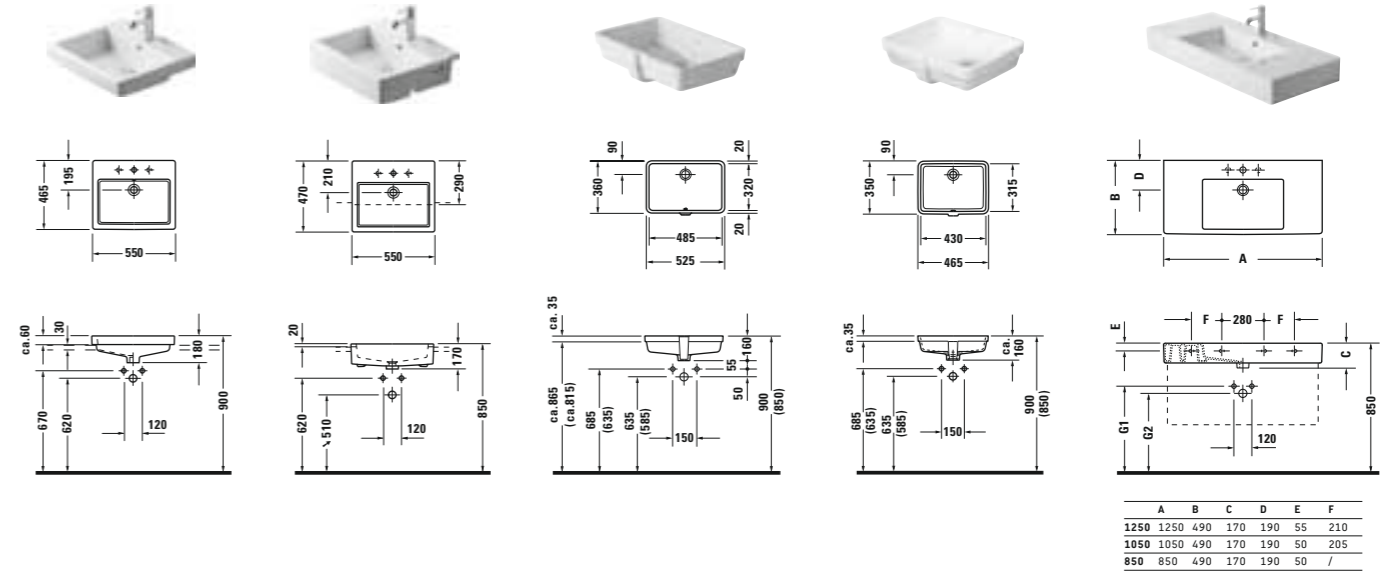
0702250000 ●

070445..00 ●
070445..60 ☒

070445..27* ●

0455600000 ☒
045550..00 ☒

045260..00 ● ●
045260..30 ● ● ● ●
0452500000 ● ●
0452500030 ● ● ● ●
0452500060 ☒
Rear panel glazed



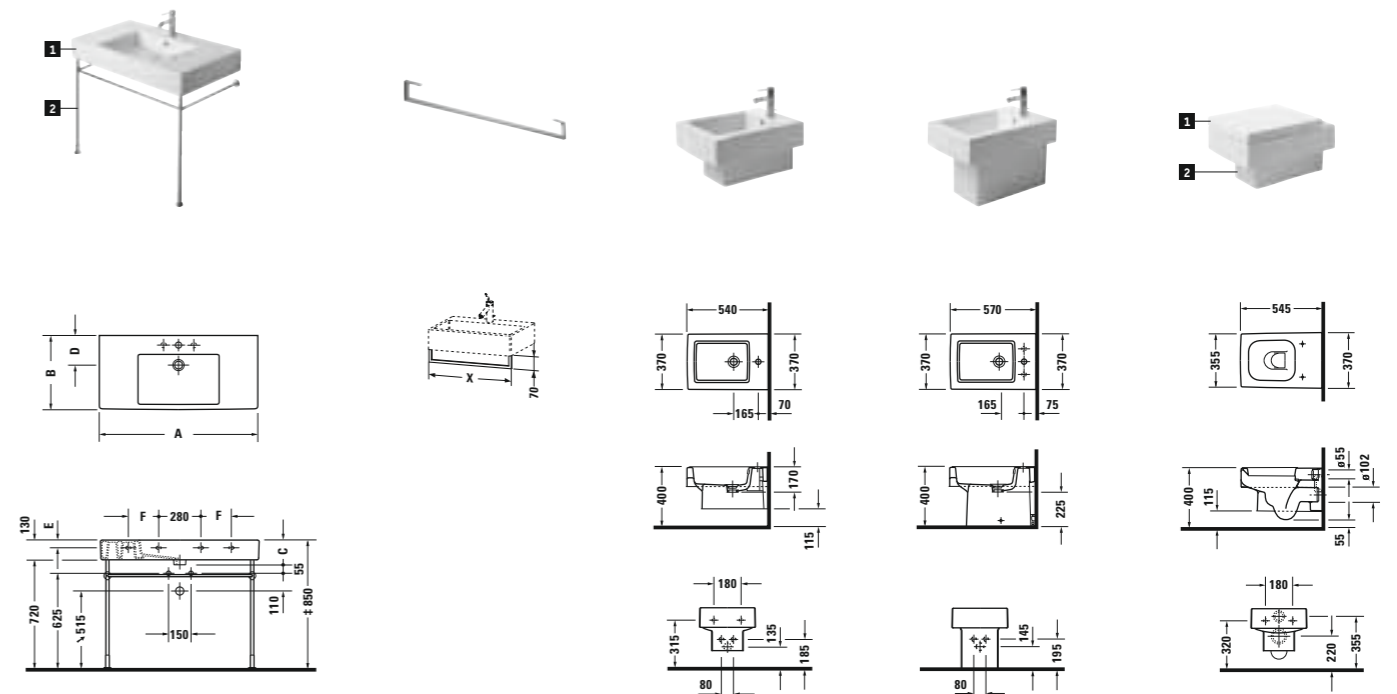
0315550000 ● ●
0315550030 ● ● ● ● ● ●

0314550000 ● ●
0314550030 ● ● ● ● ● ●
0314550060 ☒

0330480000 ☒ ☒

0330430000 ☒ ☒

0329120000 ● ●
0329120030 ● ● ● ● ● ●
0329120060 ☒
0329100000 ● ●
0329100030 ● ● ● ● ● ●
0329100060 ☒
0329850000 ● ●
0329850030 ● ● ● ● ● ●
0329850060 ☒



A	B	C	D	E	F	
1250	1250	490	170	190	55	210
1050	1050	490	170	190	50	205
850	850	490	170	190	50	/

- 1 # 0329120000 ● ●
- # 0329120030 ● ● ● ● ● ●
- # 0329120060 ☒
- 2 # 030731000**
- 1 # 0329100000 ● ●
- # 0329100030 ● ● ● ● ● ●
- # 0329100060 ☒
- 2 # 0030721000**
- 1 # 0329850000 ● ●
- # 0329850030 ● ● ● ● ● ●
- # 0329850060 ☒
- 2 # 0030711000**

0030371000
X = 550 mm
→ # 045460
0030381000
X = 755 mm
→ # 045480
0030391000
X = 955 mm
→ # 045410
0030341000
X = 1205 mm
→ # 032912
0030351000
X = 1009 mm
→ # 032910
0030361000
X = 808 mm
→ # 032985
Towel rail

223915..00 ●

224010..00 ● ●
224010..30 ● ● ● ● ● ●

1 # 006769..00 (SoftClose)
2 # 221709..64 ☐ ☐



006769 . . 00
 (SoftClose)
2117090000

006769 . . 00
 (SoftClose)
211609 . . 00
090910 . . 05

0061510000
2801320000
2801320007

280032 . . 00
2800320007

0014220000
8990250006

WATER RATING

XL 6059
 → Starck 3 # 033213
 ↗ 470 mm

XL 6208 L/R
 ↗ 230 mm
 → Vero # 070350

XL 6209 L/R
 ↗ 330 mm
 → Vero # 070445

XL 6043, ↔ 450 mm
 → Vero # 045450
XL 6044, ↔ 550 mm
 → Vero # 045460, 045460
XL 6045, ↔ 750 mm
 → Vero # 045480
XL 6046, ↔ 950 mm
 → Vero # 045410
XL 6047, ↔ 1150 mm
 → Vero # 045412
 ↗ 445 (425) mm

XL 6052, ↔ 800 mm
 → Vero # 032985
XL 6053, ↔ 1000 mm
 → Vero # 032910
XL 6054, ↔ 1200 mm
 → Vero # 032912
 ↗ 470 (450) mm

XL 6343, ↔ 450 mm
 → Vero # 045450
XL 6344, ↔ 550 mm
 → Vero # 045460, 045460
XL 6345, ↔ 750 mm
 → Vero # 045480
XL 6346, ↔ 950 mm
 → Vero # 045410
XL 6347, ↔ 1150 mm
 → Vero # 045412
 ↗ 445 mm

XL 6352, ↔ 800 mm
 → Vero # 032985
XL 6353, ↔ 1000 mm
 → Vero # 032910
XL 6354, ↔ 1200 mm
 → Vero # 032912
 ↗ 470

XL 065C
 ↗ 365 mm

XL 6216, ↔ 500 mm
XL 6017, ↔ 600 mm
 ↗ 360 mm

XL 6016, ↔ 500 mm
XL 6217, ↔ 600 mm
 ↗ 360 mm

XL 2202 L/R, ↔ 300 mm
XL 2203 L/R, ↔ 400 mm
 ↗ 360 mm

XL 6048, ↔ 800 mm
 → D-Code # 034285
XL 6049, ↔ 1000 mm
 → D-Code # 034210
 ↗ 470 mm

XL 6060
 → Darling New # 049953
 ↗ 413 mm

XL 6061, ↔ 600 mm
 → Darling New # 049963
 ↗ 503 mm
XL 6062, ↔ 800 mm
 → Darling New # 049983
XL 6063, ↔ 1000 mm
 → Darling New # 049910
 ↗ 528 mm

XL 6360, ↔ 500 mm
 → Darling New # 049953
 ↗ 413 mm
XL 6361, ↔ 600 mm
 → Darling New # 049963
 ↗ 503 mm
XL 6362, ↔ 800 mm
 → Darling New # 049983
XL 6363, ↔ 1000 mm
 → Darling New # 049910
 ↗ 528 mm

XL 6525 L/R, ↔ 440 mm
 → Starck 3 # 030348
 ↗ 445 mm

XL 6088, ↔ 600 mm
 → Starck 3 # 030480, 030470
XL 6086, ↔ 800 mm
 → Starck 3 # 030410, 030480
 ↗ 470 mm

XL 6084
 → Starck 3 # 030410
 ↗ 470 mm

XL 6068
 → Starck 3 # 033213
 ↗ 470 mm

XL 6056, ↔ 600 mm
 → Starck 3 # 030480, 030470
XL 6057, ↔ 800 mm
 → Starck 3 # 030410, 030480
XL 6058, ↔ 1000 mm
 → Starck 3 # 030410
 ↗ 470 mm

XL 2224, ↔ 300 mm
XL 2225, ↔ 400 mm
XL 2226, ↔ 500 mm
XL 2227, ↔ 600 mm
 ↗ 360 mm

XL 2204, ↔ 300 mm
XL 2205, ↔ 400 mm
XL 2206, ↔ 500 mm
XL 2207, ↔ 600 mm
 ↗ 360 mm

XL 2216
 ↗ 360 mm

XL 2564
 ↗ 240 mm

XL 063C
 ↗ 550 mm
 Variable console

XL 9902
 ↗ 425 mm
 Console support-bracket

XL 9903
 ↗ 480 mm
 Console support-towel rail

XL 9985, ↔ 500 mm
XL 9986, ↔ 1000 mm
 ↗ 14 mm
 Towel rail

XL 6719, ↔ 600 mm
XL 6713, ↔ 800 mm
XL 6715, ↔ 1000 mm
 ↗ 545 mm

XL 6717, ↔ 600 mm
XL 6714, ↔ 800 mm
XL 6716, ↔ 1000 mm
 ↗ 545 mm

XL 6725 L/R, ↔ 300 mm
XL 6726 L/R, ↔ 400 mm
 ↗ 545 mm

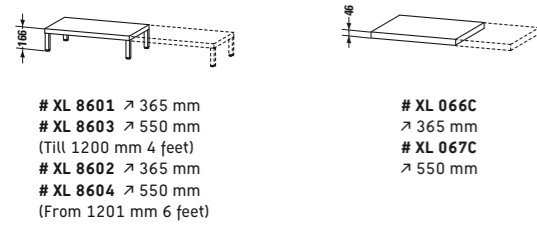
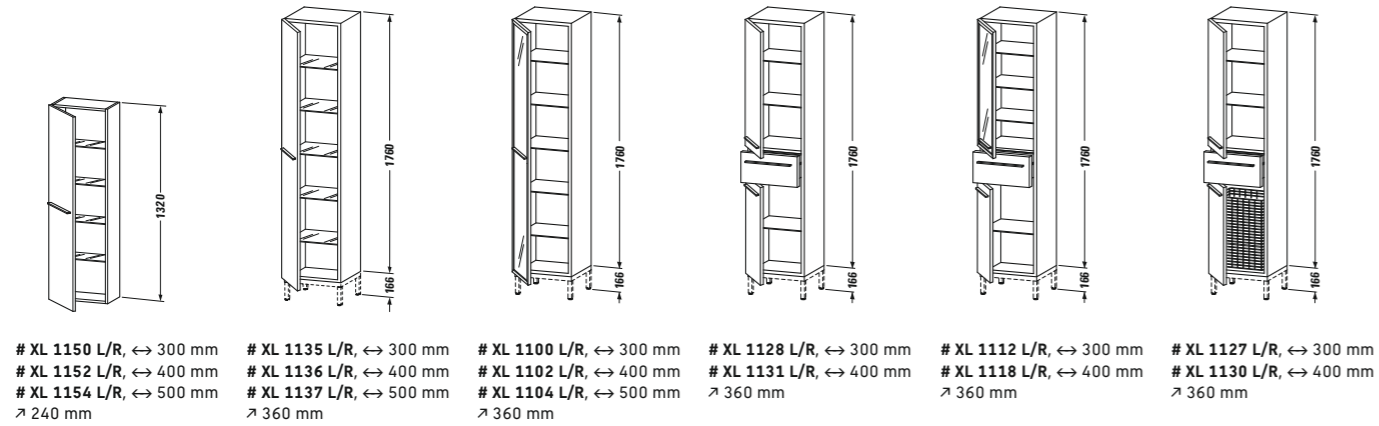
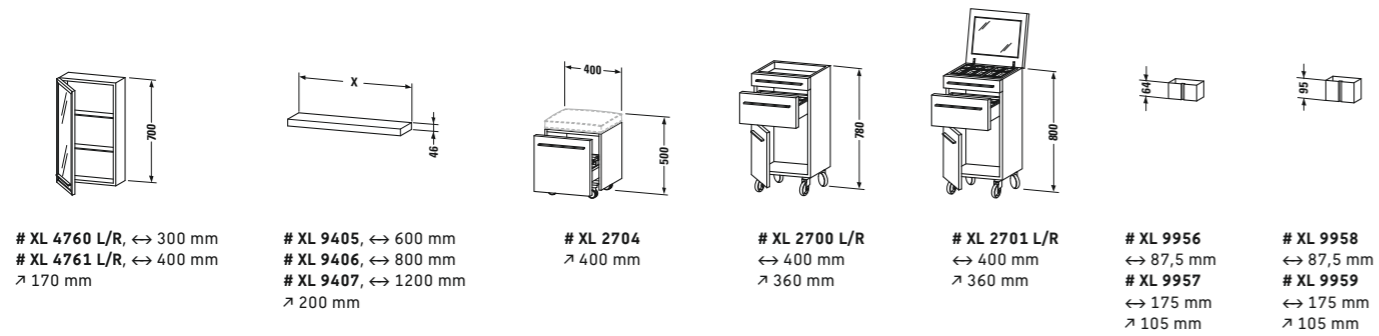
XL 6731, ↔ 300 mm
XL 6732, ↔ 400 mm
XL 6733, ↔ 500 mm
XL 6734, ↔ 600 mm
 ↗ 545 mm

XL 6721, ↔ 300 mm
XL 6722, ↔ 400 mm
XL 6723, ↔ 500 mm
XL 6724, ↔ 600 mm
 ↗ 545 mm

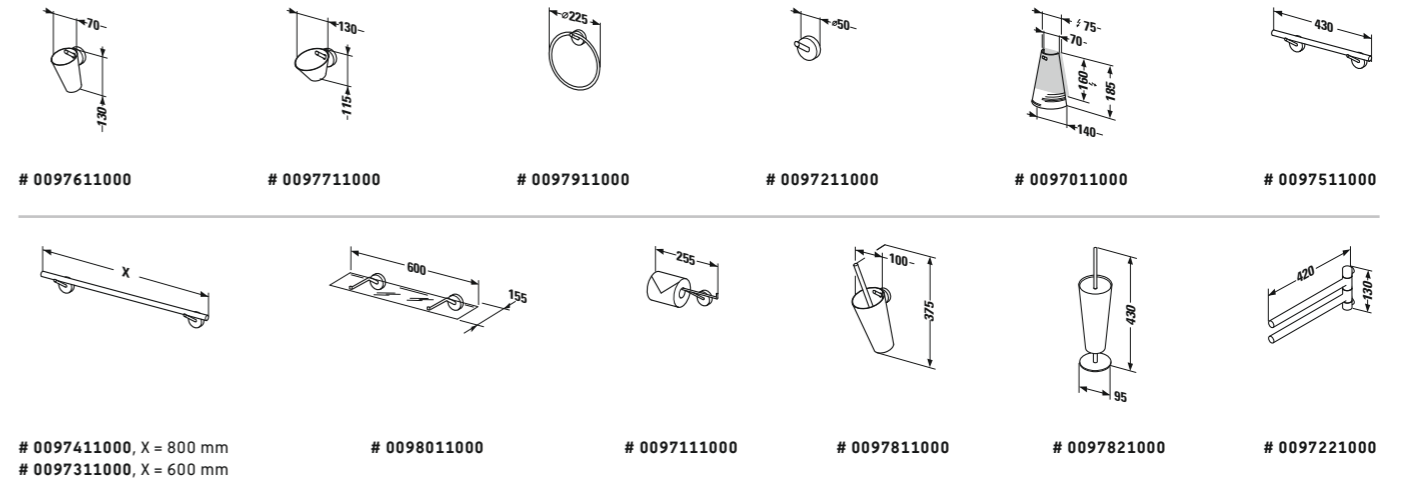
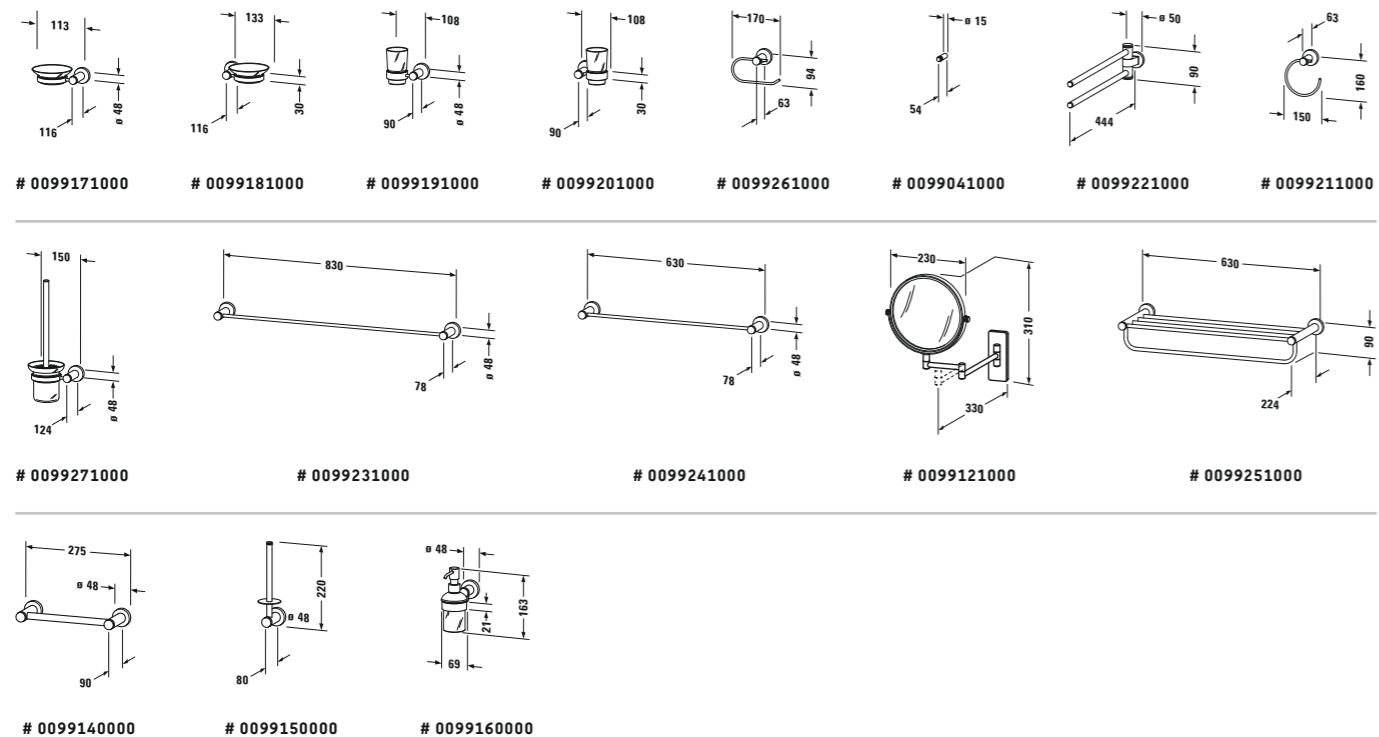
XL 7210, ↔ 460 mm
XL 7211, ↔ 600 mm
 ∅ 1 x 8 W
XL 7212, ↔ 800 mm
XL 7213, ↔ 1000 mm
 ∅ 1 x 13 W
XL 7214, ↔ 1200 mm
 ∅ 1 x 21 W
 ↗ 155 mm
 IP 44

XL 7092, ↔ 600 mm
XL 7094, ↔ 800 mm
 ∅ 2 x 14 W
 ↗ 180 mm
 IP 44

XL 7095, ↔ 1000 mm
XL 7096, ↔ 1200 mm
 ∅ 2 x 18 W
 ↗ 180 mm
 IP 44



D-Code Accessoires



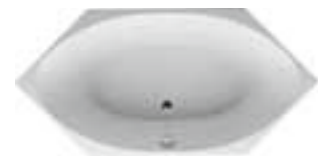
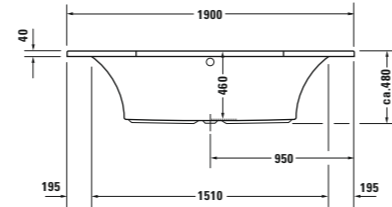
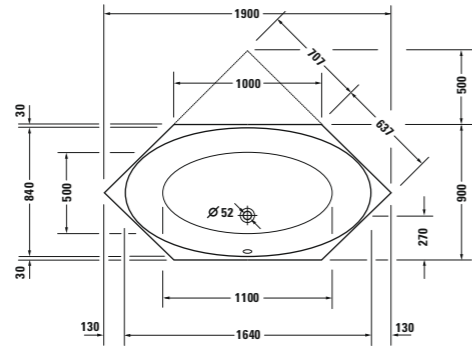
Symbols

- X To determine height please set washbasin on pedestal
- ~ With usage of design siphon
- ± Size depending on vanity unit
- >> Depending on outlet
- P-trap siphon
- Bottle trap siphon
- ☒ Without tap hole
- 1 tap hole pre-punched
- 1 tap hole punched
- 2 tap holes pre-punched, left and right
- 1 tap hole pre-punched, left, 1 pre-punched tap hole for soap dispenser, right
- 1 tap hole punched, left, 1 punched tap hole for soap dispenser, right
- 2 tap holes pre-punched, left and right for 2 taps
- 2 tap holes punched, left and right for 2 taps
- Tap hole punched (2 extra tap holes are possible, please indicate when ordering)
- 1 tap hole punched, 2 tap holes pre-punched
- 3 tap holes punched
- ⌵ Installation from above
- ⌵ Installation from below
- Vertical outlet
- Horizontal outlet
- Economical 6-liter flush
- Water saving 4,8-liter flush
- Water saving 4,5-liter flush
- Side supply, left
- ← Side supply, right
- ↔ Back supply
- ↙ Bottom left supply
- >< Dependent on mounting
- ⚡ With fly
- ↗ Depth
- ↔ Width
- L/R Left/Right
- ⊕ With lighting
- 1/2" FL wall connection required

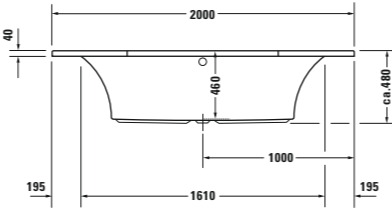
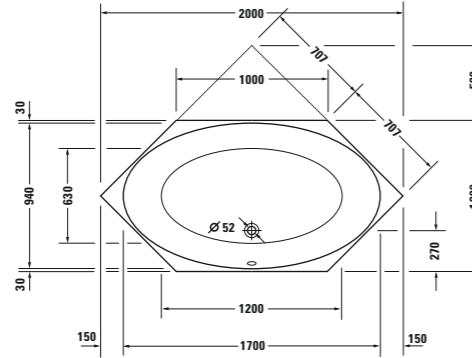
For further information about our whirlsystems Air-System, Jet-System, Combi-System P, Combi-System E, Combi-System L see current price list.



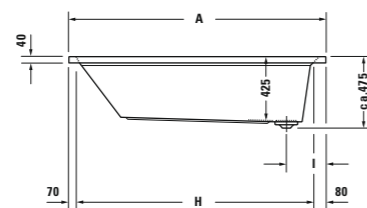
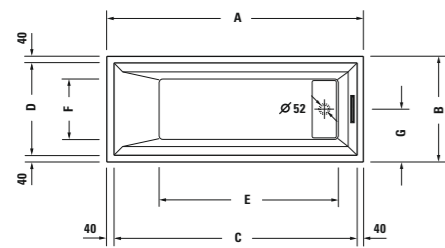
700025 00 0 00 0000, 1900 x 900 mm
Built-in



700026 00 0 00 0000, 2000 x 1000 mm
Built-in

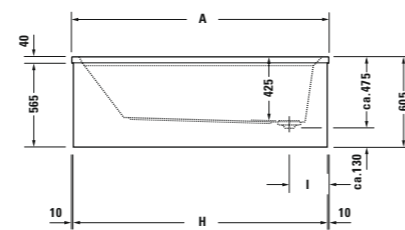


700083 00 0 00 0000, 1600 x 700 mm
700084 00 0 00 0000, 1700 x 700 mm
700085 00 0 00 0000, 1700 x 750 mm
Built-in



	A	B	C	D	E	F	G	H	I
700073	1600	700	1520	620	1080	400	350	1450	280
700074	1700	700	1620	620	1190	400	350	1550	260
700075	1700	750	1620	670	1190	450	375	1550	280

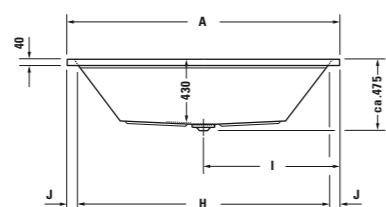
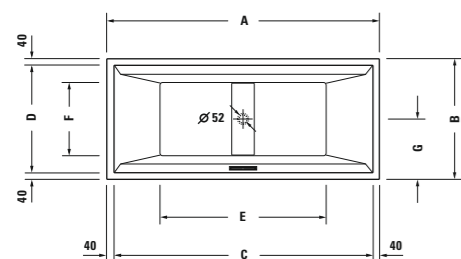
700078 00 0 00 0000, 1600 x 700 mm
700079 00 0 00 0000, 1700 x 700 mm
700080 00 0 00 0000, 1700 x 750 mm
With support frame for furniture panel *



	A	B	C	D	E	F	G	H	I
700078	1600	700	1520	620	1080	400	350	1580	280
700079	1700	700	1620	620	1190	400	350	1680	260
700080	1700	750	1620	670	1190	450	375	1680	280

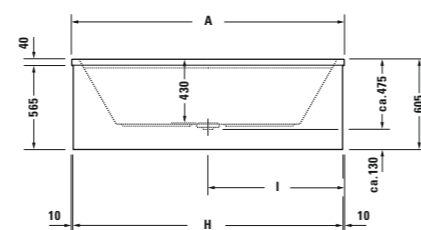


700086 00 0 00 0000, 1800 x 800 mm
700164 00 0 00 0000, 1900 x 900 mm
700165 00 0 00 0000, 2000 x 1000 mm
Built-in



	A	B	C	D	E	F	G	H	I	J
700076	1800	800	1720	720	1100	485	400	1660	900	70
700160	1900	900	1820	820	1205	610	450	1790	950	55
700161	2000	1000	1920	970	1305	710	500	1890	1000	55

700081 00 0 00 0000, 1800 x 800 mm
700162 00 0 00 0000, 1900 x 900 mm
700163 00 0 00 0000, 2000 x 1000 mm
With support frame for furniture panel *

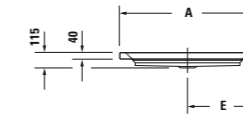
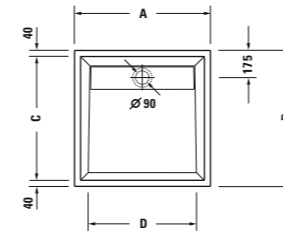


	A	B	C	D	E	F	G	H	I
700081	1800	800	1720	720	1100	485	400	1780	900
700162	1900	900	1820	820	1205	610	450	1880	950
700163	2000	1000	1920	970	1305	710	500	1980	1000

* Suitable furniture panels/accessories see current pricelist.

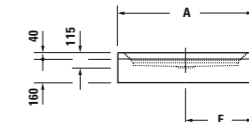


7200043 00 0 00 0000, 800 x 800 mm
7200046 00 0 00 0000, 900 x 900 mm
7200050 00 0 00 0000, 1000 x 1000 mm
Without panel

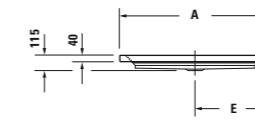
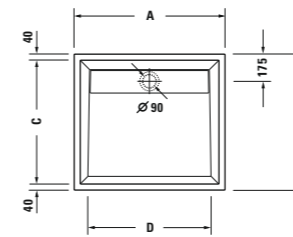


	A	B	C	D	E
7200043	800	800	720	600	400
7200046	900	900	820	700	450
7200050	1000	1000	920	800	500

720043 00 0 00 0000, 800 x 800 mm
720046 00 0 00 0000, 900 x 900 mm
720050 00 0 00 0000, 1000 x 1000 mm
With furniture panel *

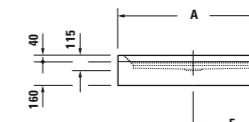


720044 00 0 00 0000, 800 x 1000 mm
720047 00 0 00 0000, 900 x 1000 mm
720051 00 0 00 0000, 1000 x 1200 mm
Without panel

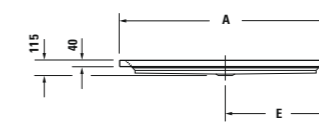
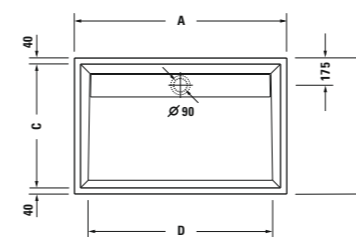


	A	B	C	D	E
720044	1000	800	720	800	500
720047	1000	900	820	800	500
720051	1200	1000	920	1000	600

720044 00 0 00 0000, 800 x 1000 mm
720047 00 0 00 0000, 900 x 1000 mm
720051 00 0 00 0000, 1000 x 1200 mm
With furniture panel *

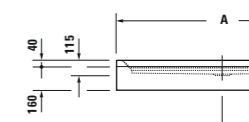


720045 00 0 00 0000, 800 x 1200 mm
720048 00 0 00 0000, 900 x 1400 mm
720049 00 0 00 0000, 900 x 1800 mm
Without panel

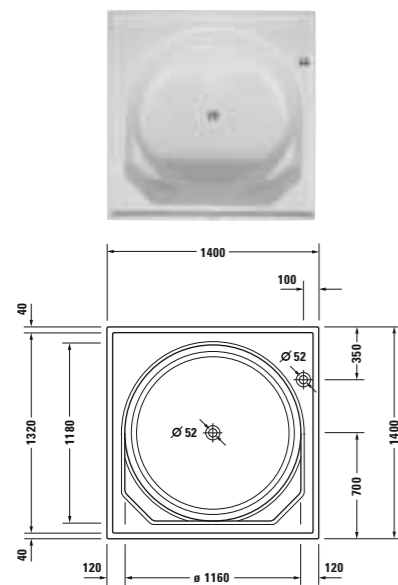


	A	B	C	D	E
720045	1200	800	720	1000	600
720048	1400	900	820	1200	700
720049	1800	900	820	1600	900

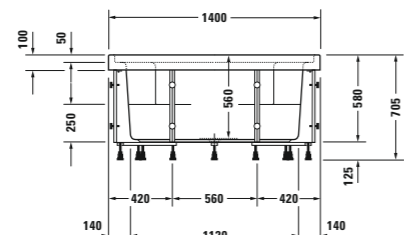
720045 00 0 00 0000, 800 x 1200 mm
720048 00 0 00 0000, 900 x 1400 mm
720049 00 0 00 0000, 900 x 1800 mm
With furniture panel *



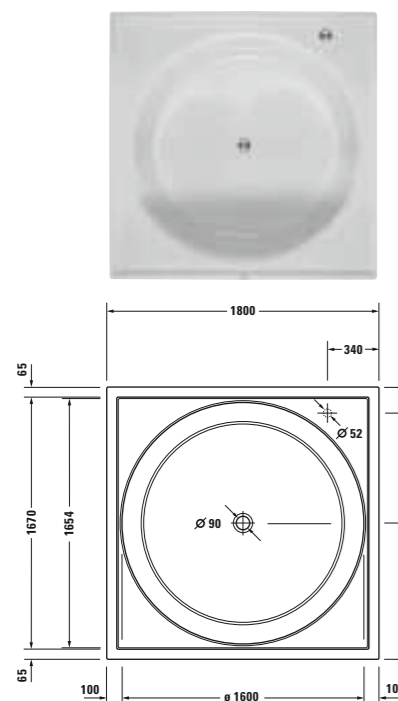
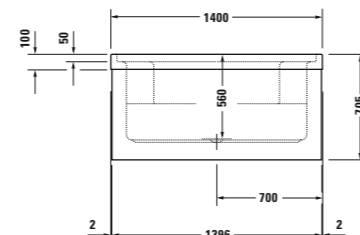
* Suitable furniture panels/accessories see current pricelist.



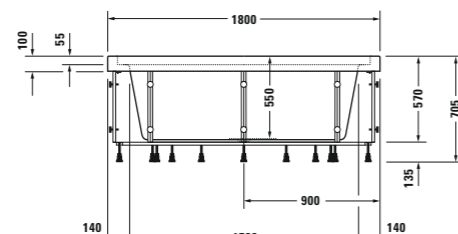
700143 00 0 00 0000, 1400 x 1400 mm
Built-in



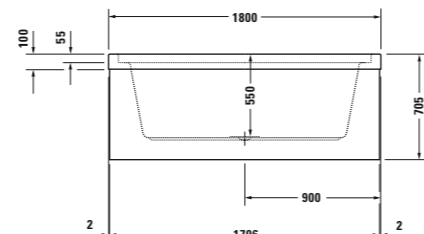
700143 00 0 00 0000, 1400 x 1400 mm
With support frame for panel. *
Also available with whirlsystem and poolsystem.



700169 00 0 00 0000, 1800 x 1800 mm
Built-in

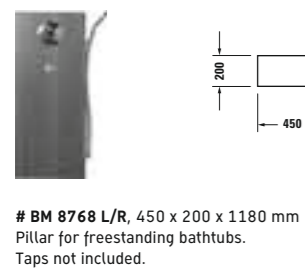


700169 00 0 00 0000, 1800 x 1800 mm
With support frame for panel. *
Also available with poolsystem.

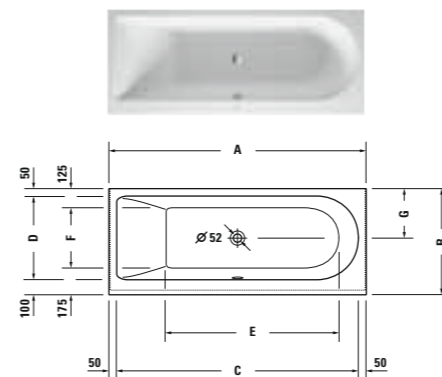
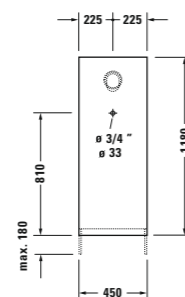
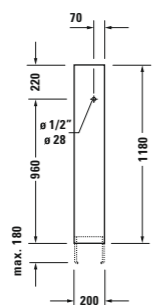


- # 790852 00 0 00 0000, 1400 x 1400 mm
→ Bath- and whirltubs
- # 790867 00 0 00 0000, 1800 x 1800 mm
→ Bath-tub
- # 790852 00 0 01 0000, 1400 x 1400 mm
→ Bath- and whirltubs with waste and overflow with base inlet.
- Pool
- # 790867 00 0 01 0000, 1800 x 1800 mm
→ Bath-tub with waste and overflow with base inlet.
- Pool
- Acrylic inlay

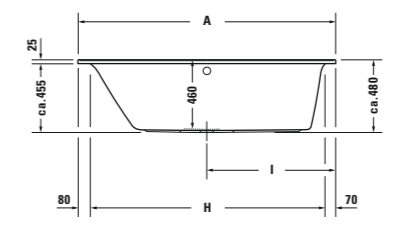
- # 790851 00 0 00 0000, 1400 x 1400 mm
→ Bath-and whirltubs
- # 790866 00 0 00 0000, 1800 x 1800 mm
→ Bath-tub
- # 790851 00 0 01 0000, 1400 x 1400 mm
→ Bath- and whirltubs with waste and overflow with base inlet.
- # 790866 00 0 01 0000, 1800 x 1800 mm
→ Bath-tub with waste and overflow with base inlet
- Wooden inlay Teak (real wood)
- # 790879 00 0 01 0000, 1400 x 1400 mm
→ Pool
- # 790880 00 0 01 0000, 1800 x 1800 mm
→ Pool
- Wooden inlay Teak (decor)



BM 8768 L/R, 450 x 200 x 1180 mm
Pillar for freestanding bathtubs.
Taps not included.

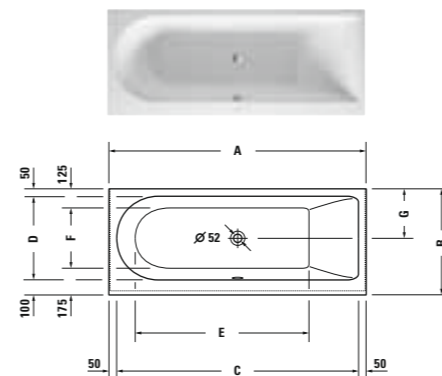
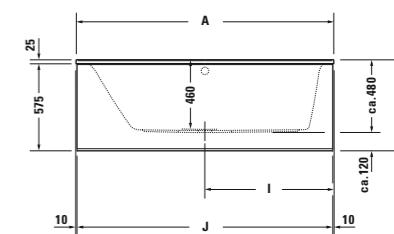


700250 00 0 00 0000, 1600 x 700 mm
700252 00 0 00 0000, 1700 x 700 mm
700254 00 0 00 0000, 1700 x 750 mm
Built-in

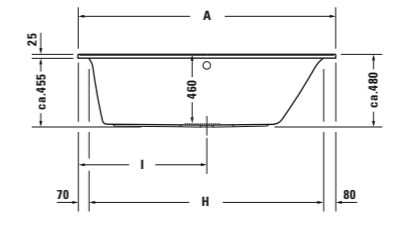


	A	B	C	D	E	F	G	H	I	J
700250	1600	700	1500	550	1050	400	325	1450	800	1580
700252	1700	700	1600	550	1150	400	325	1550	850	1680
700254	1700	750	1600	600	1150	450	350	1550	850	1680

700250 00 0 00 0000, 1600 x 700 mm
700252 00 0 00 0000, 1700 x 700 mm
700254 00 0 00 0000, 1700 x 750 mm
With optional furniture panel. *

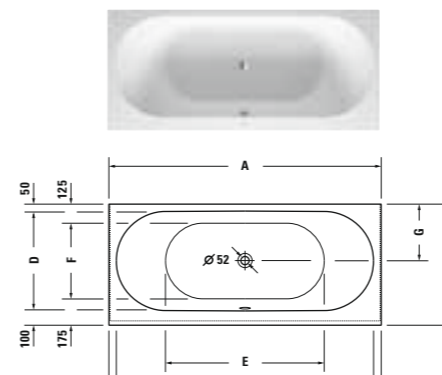
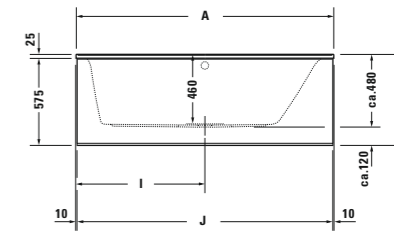


700251 00 0 00 0000, 1600 x 700 mm
700253 00 0 00 0000, 1700 x 700 mm
700255 00 0 00 0000, 1700 x 750 mm
Built-in

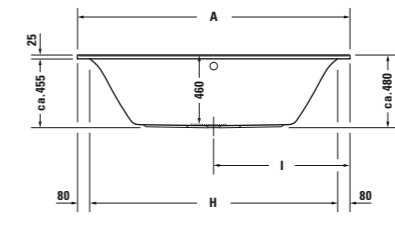


	A	B	C	D	E	F	G	H	I	J
700251	1600	700	1500	550	1050	400	325	1450	800	1580
700253	1700	700	1600	550	1150	400	325	1550	850	1680
700255	1700	750	1600	600	1150	450	350	1550	850	1680

700251 00 0 00 0000, 1600 x 700 mm
700253 00 0 00 0000, 1700 x 700 mm
700255 00 0 00 0000, 1700 x 750 mm
With optional furniture panel. *

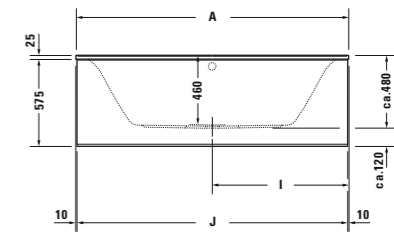


700256 00 0 00 0000, 1800 x 800 mm
700257 00 0 00 0000, 1900 x 900 mm
Built-in

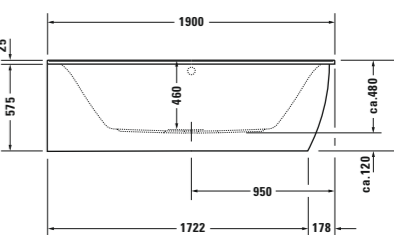
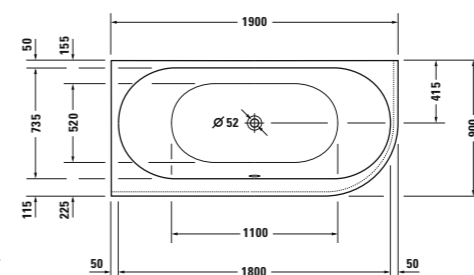


	A	B	C	D	E	F	G	H	I	J
700256	1800	800	1700	650	1050	500	375	1640	900	1780
700257	1900	900	1800	750	1150	600	425	1740	950	1880

700256 00 0 00 0000, 1800 x 800 mm
700257 00 0 00 0000, 1900 x 900 mm
With optional furniture panel. *

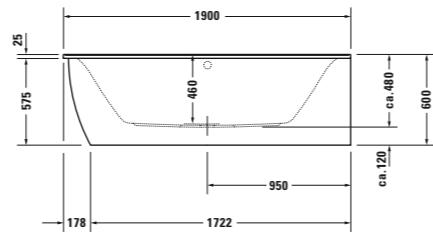
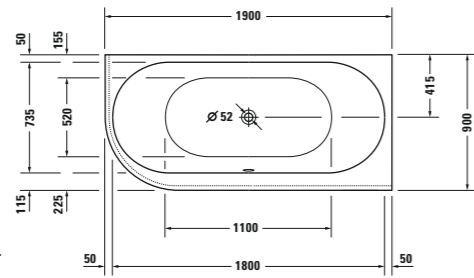


700246 00 0 00 0000, 1900 x 900 mm
Corner left with acrylic panel and support frame.

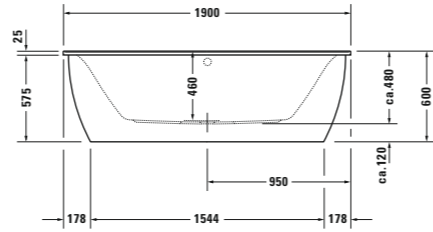
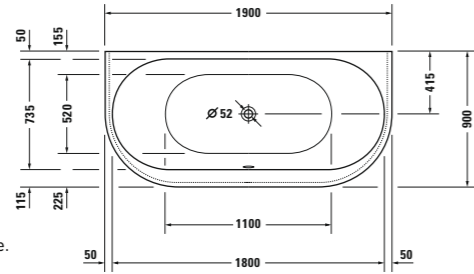




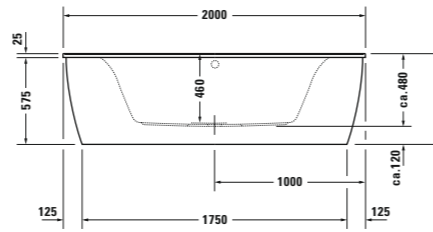
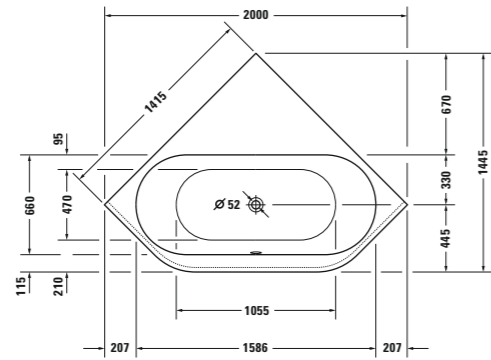
700247 00 0 00 0000, 1900 x 900 mm
Corner right with acrylic panel and support frame.



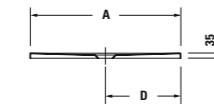
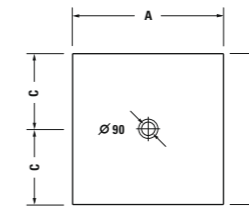
700248 00 0 00 0000, 1900 x 900 mm
Back-to-wall with acrylic panel and support frame.



700249 00 0 00 0000, 1415 x 1415 mm
Corner with acrylic panel and support frame.



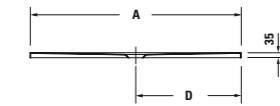
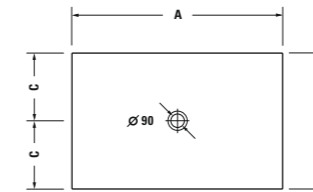
720079 00 0 00 0000, 800 x 800 mm
720082 00 0 00 0000, 900 x 900 mm
720085 00 0 00 0000, 1000 x 1000 mm
720089 00 0 00 0000, 1200 x 1200 mm



	A	B	C	D
720079	793	793	396,5	396,5
720082	893	893	446,5	446,5
720085	993	993	496,5	496,5
720089	1193	1193	596,5	596,5



720080 00 0 00 0000, 900 x 750 mm
720081 00 0 00 0000, 900 x 800 mm
720083 00 0 00 0000, 1000 x 800 mm
720084 00 0 00 0000, 1000 x 900 mm
720086 00 0 00 0000, 1200 x 800 mm
720087 00 0 00 0000, 1200 x 900 mm
720088 00 0 00 0000, 1200 x 1000 mm
720090 00 0 00 0000, 1400 x 750 mm
720091 00 0 00 0000, 1400 x 900 mm
720092 00 0 00 0000, 1600 x 900 mm

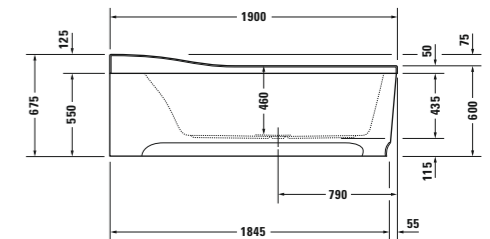
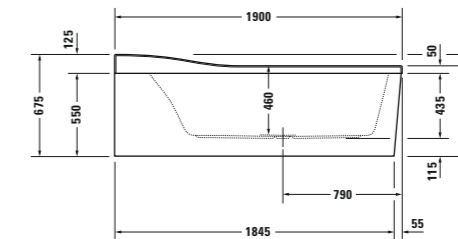
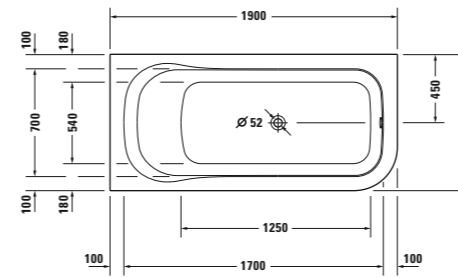


	A	B	C	D
720080	893	743	371,5	446,5
720081	893	793	396,5	446,5
720083	993	793	396,5	496,5
720084	993	893	446,5	496,5
720086	1193	793	396,5	596,5
720087	1193	893	446,5	596,5
720088	1193	993	496,5	596,5
720090	1393	743	371,5	696,5
720091	1393	893	446,5	696,5
720092	1593	893	446,5	796,5

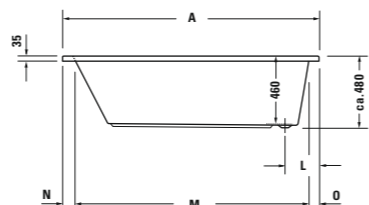
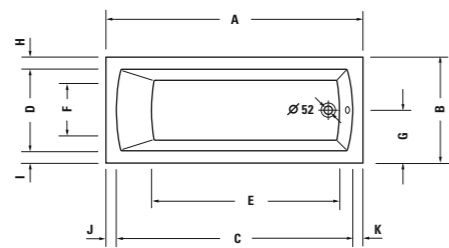


700281 00 0 00 0000, 1900 x 900 mm
Corner left with acrylic panel

700288 05 0 00 0000, 1900 x 900 mm
Corner left with furniture panel



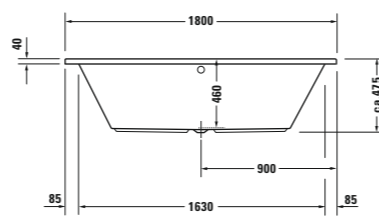
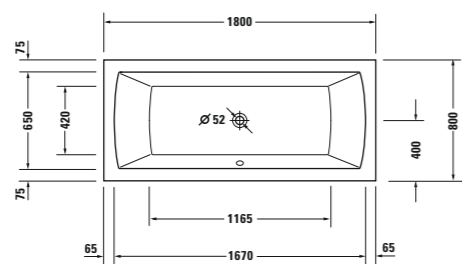
700142 00 0 00 0000, 1700 x 700 mm
700029 00 0 00 0000, 1700 x 750 mm
Built-in



	A	B	C	D	E	F	G	H	I	J	K	L	M	N	O
700141	1700	700	1570	550	1245	400	350	75	75	65	65	240	1540	85	75
700027	1700	750	1570	600	1240	400	375	75	75	65	65	240	1540	85	75

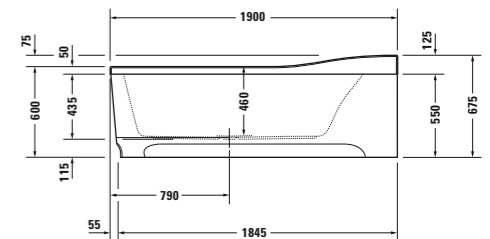
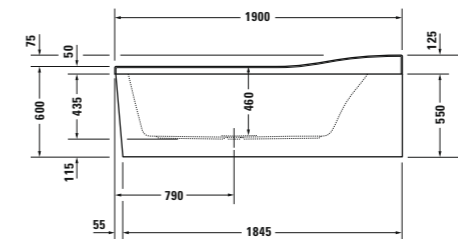
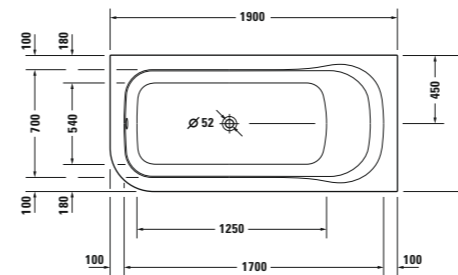


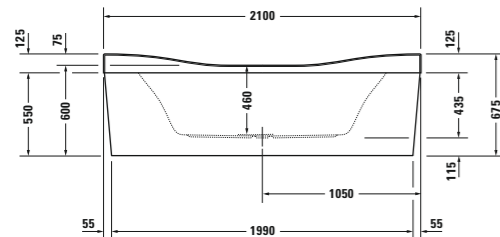
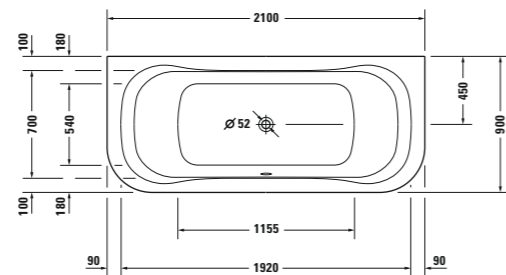
700030 00 0 00 0000, 1800 x 800 mm
Built-in



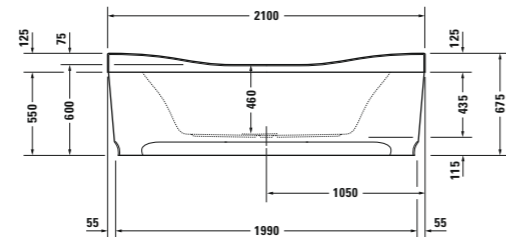
700282 00 0 00 0000, 1900 x 900 mm
Corner right with acrylic panel

700289 05 0 00 0000, 1900 x 900 mm
Corner right with furniture panel

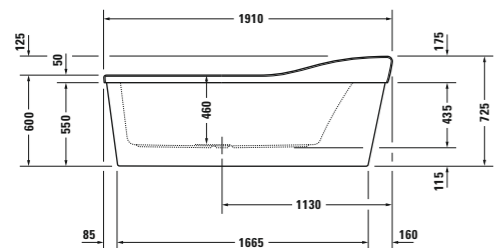
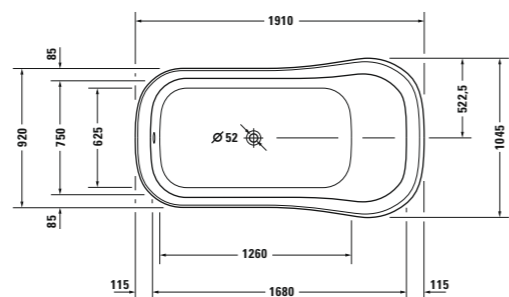




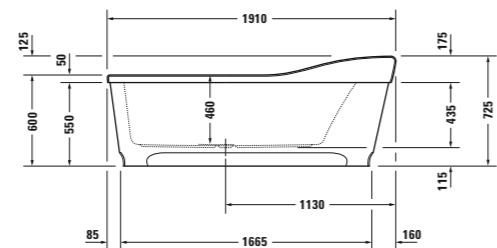
700283 00 0 00 0000, 2100 x 900 mm
Back-to-wall with acrylic panel



700290 05 0 00 0000, 2100 x 900 mm
Back-to-wall with furniture panel.



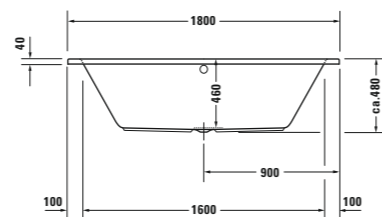
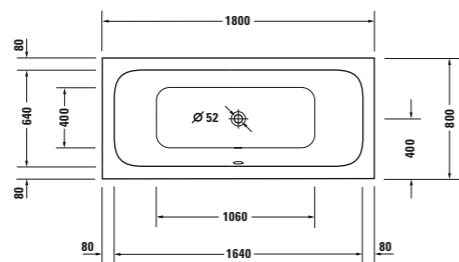
700284 00 0 00 0000, 1910 x 1045 mm
Freestanding with acrylic panel



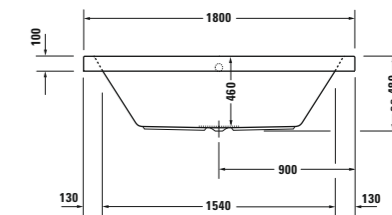
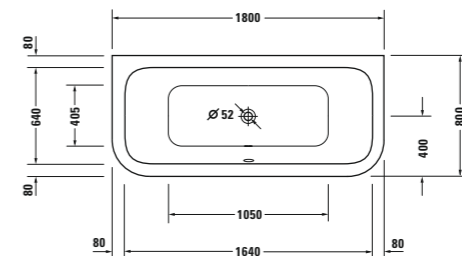
700291 05 0 00 0000, 1910 x 1045 mm
Freestanding with furniture panel.



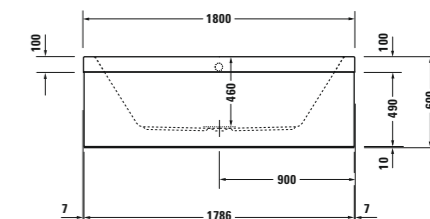
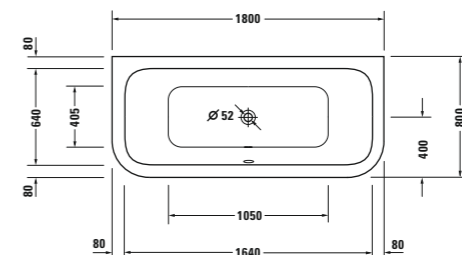
700021 00 0 00 0000, 1800 x 800 mm
Built-in



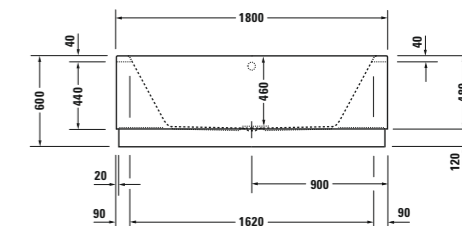
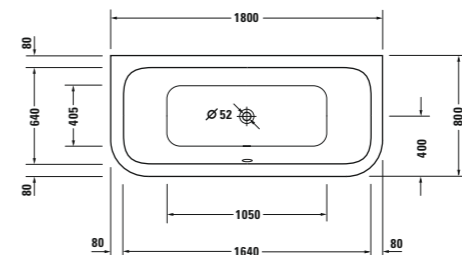
700175 00 0 00 0000, 1800 x 800 mm
Back-to-wall, built-in



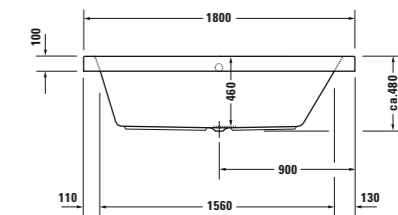
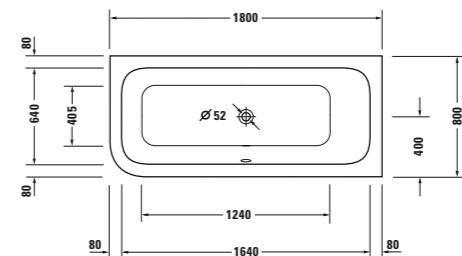
700178 00 0 00 0000, 1800 x 800 mm
Back-to-wall with support frame for furniture panel



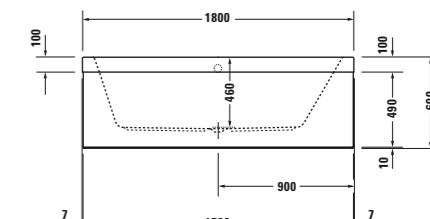
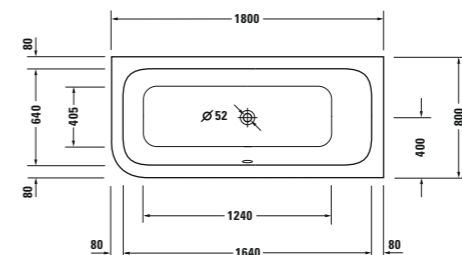
700016 00 0 00 0000, 1800 x 800 mm
Back-to-wall with integrated panel and support frame



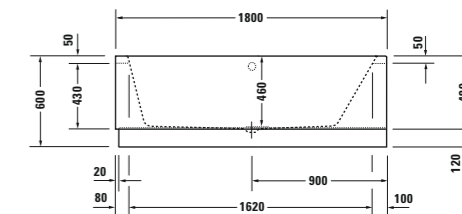
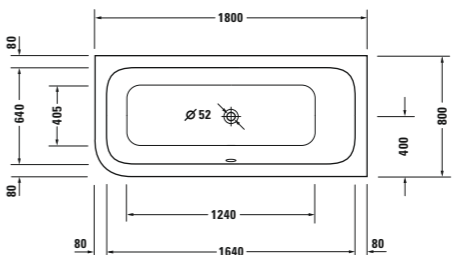
700176 00 0 00 0000, 1800 x 800 mm
Corner right, built-in



700179 00 0 00 0000, 1800 x 800 mm
Corner right with support frame for furniture panel

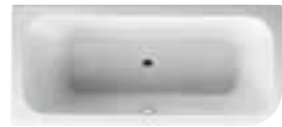
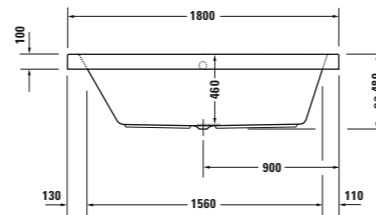
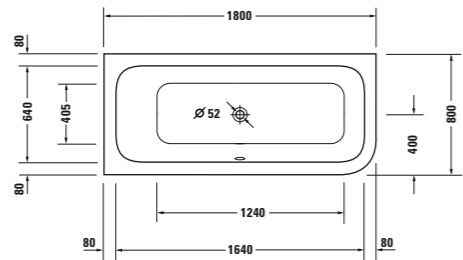


700017 00 0 00 0000, 1800 x 800 mm
Corner right with integrated panel and support frame

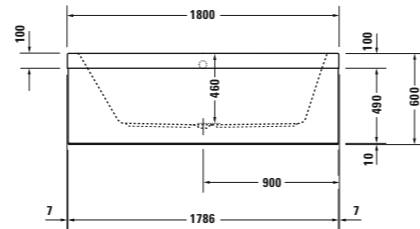
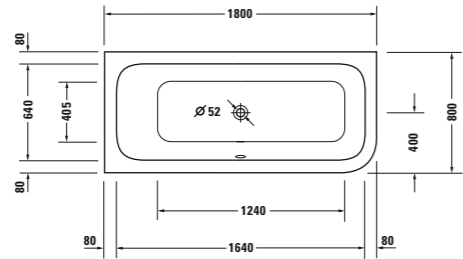




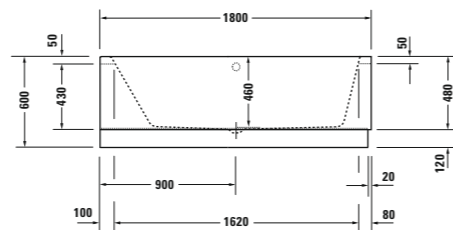
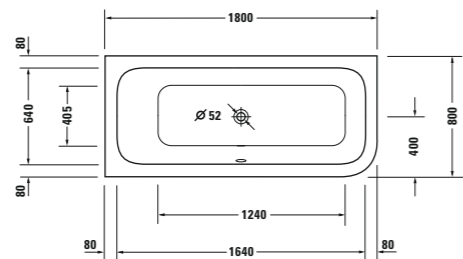
700177 00 0 00 0000, 1800 x 800 mm
Corner left, built-in



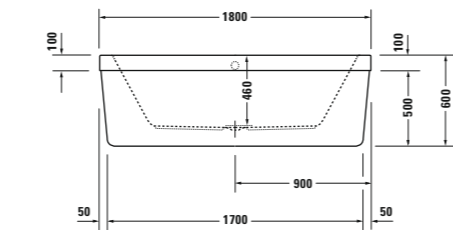
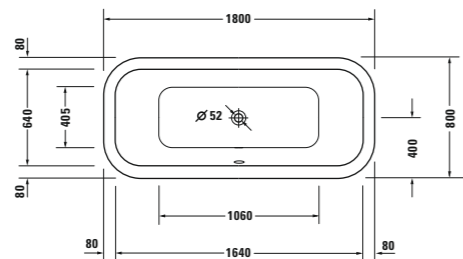
700180 00 0 00 0000, 1800 x 800 mm
Corner left with support frame for furniture panel



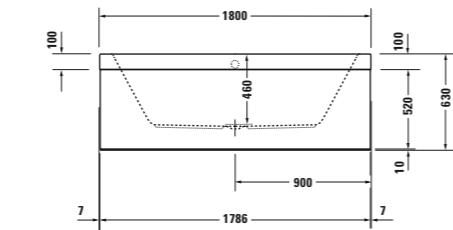
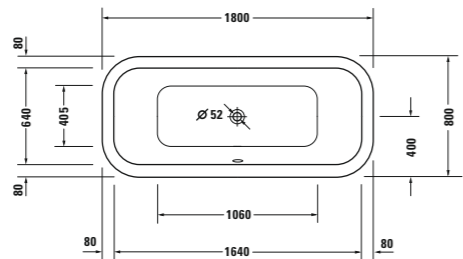
700018 00 0 00 0000, 1800 x 800 mm
Corner left with integrated panel and support frame



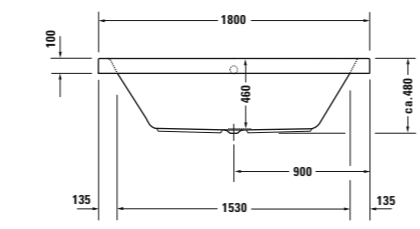
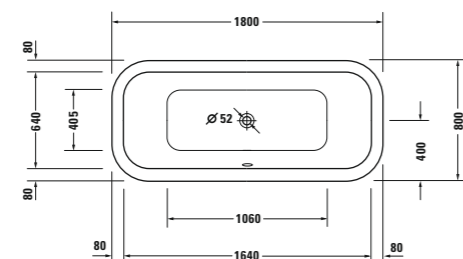
700019 00 0 00 0000, 1800 x 800 mm
Freestanding with panel and support frame



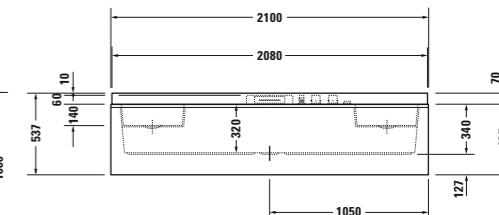
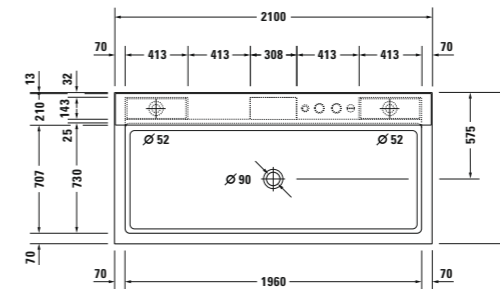
701319 00 0 00 0000, 1800 x 800 mm
American walnut
702419 00 0 00 0000, 1800 x 800 mm
Macassar
702619 00 0 00 0000, 1800 x 800 mm
American cherry
706519 00 0 00 0000, 1800 x 800 mm
Bleached oak
Freestanding with furniture panel and support frame.



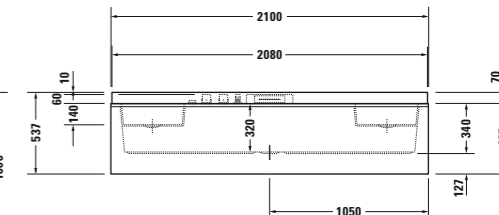
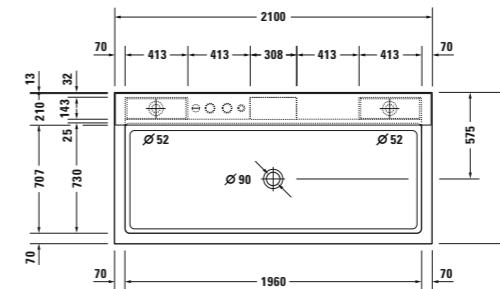
700022 00 0 00 0000, 1800 x 800 mm
Lay-on version



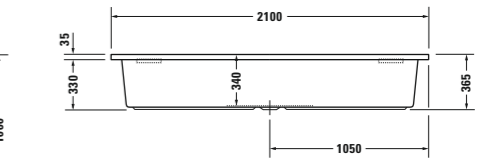
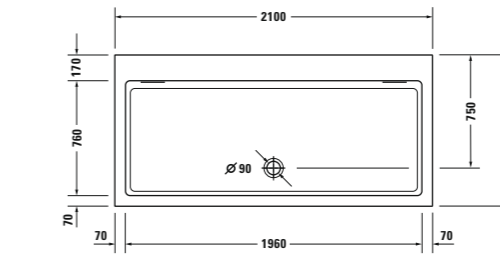
700285 . . 0 00 1000, 2100 x 1000 mm
Corner left with integrated panel and support frame. *



700286 . . 0 00 1000, 2100 x 1000 mm
Corner right with integrated panel and support frame. *

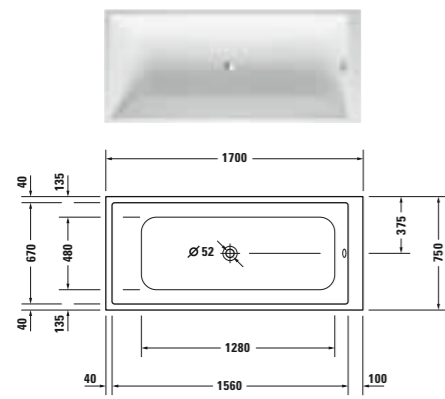


700280 00 0 00 1000, 2100 x 1000 mm
Built-in

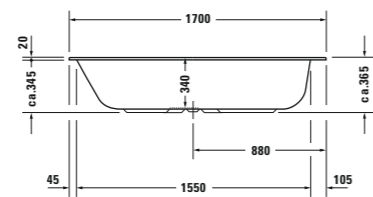


Furniture cover in . . 18 - White matt, 49 - Graphite matt
* Australia/New Zealand: Attached taps/shower values need to be removed and replaced by Australian/New Zealand items.

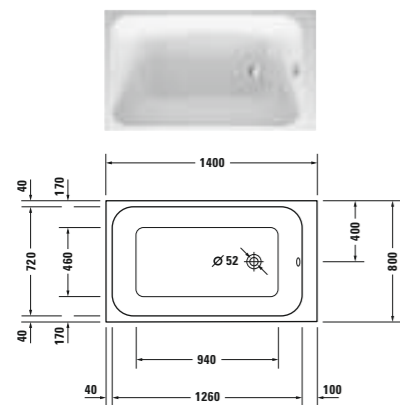
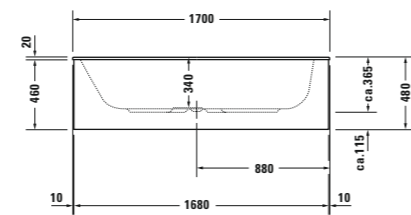
* Suitable furniture panels/accessories see current pricelist.
Australia/New Zealand: Attached taps/shower values need to be removed and replaced by Australian/New Zealand items.



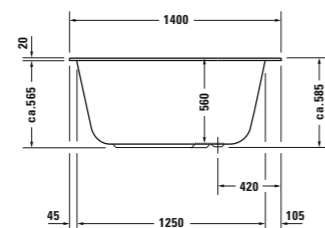
700235 00 0 00 0000, 1700 x 750 mm
Built-in



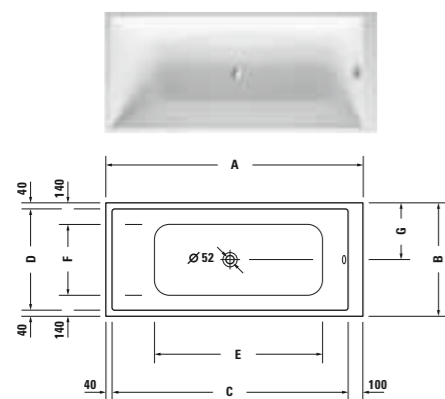
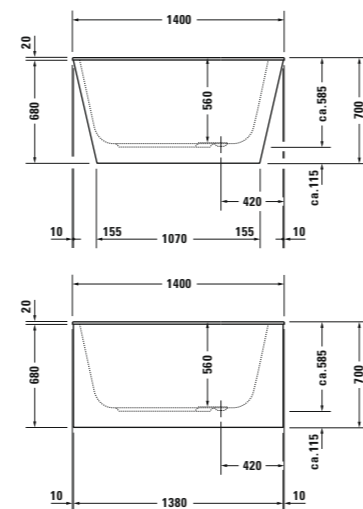
700231 00 0 00 0000, 1700 x 750 mm
With optional furniture panel. *



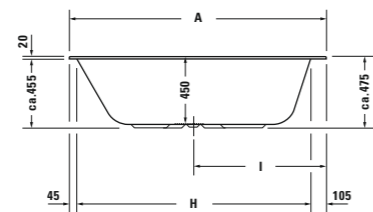
700237 00 0 00 0000, 1400 x 800 mm
Built-in



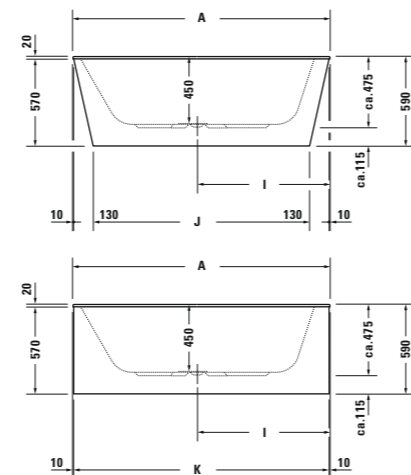
700233 00 0 00 0000, 1400 x 800 mm
With optional furniture panel. *



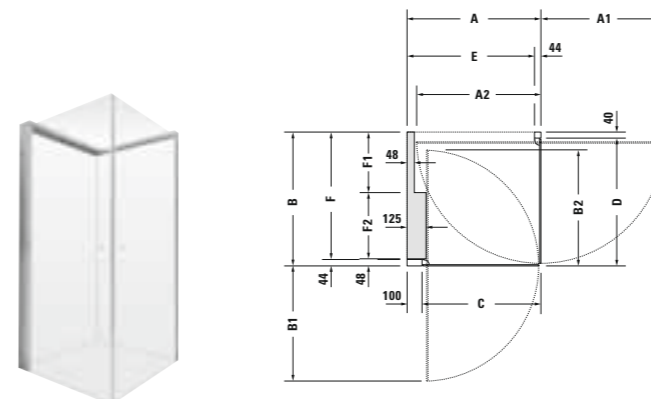
700234 00 0 00 0000, 1700 x 750 mm
Built-in



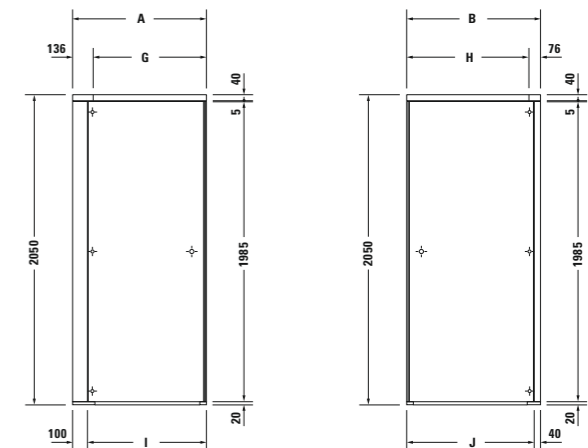
700230 00 0 00 0000, 1700 x 750 mm
With optional furniture panel. *



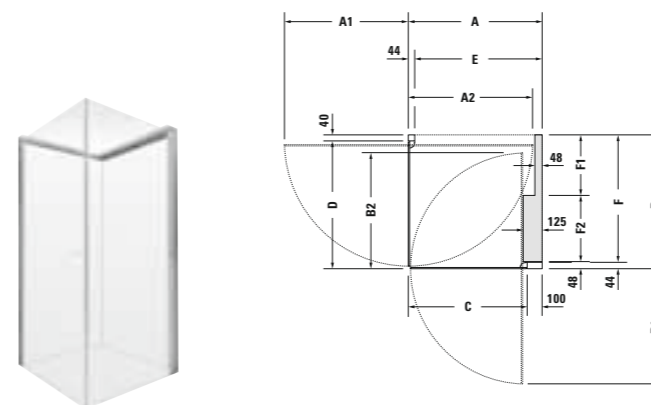
	A	B	C	D	E	F	G	H	I	J	K
700230	1700	750	1560	670	1110	470	375	1550	880	1420	1680
700232	1800	800	1660	720	1210	520	400	1650	930	1520	1780



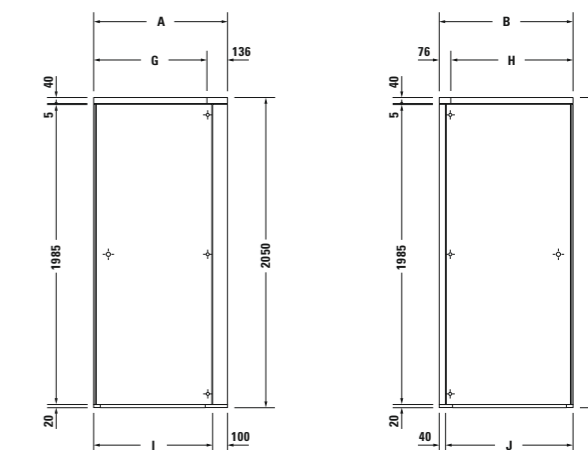
770001 00 0 00 0000¹ / # 770001 00 0 10 0000³, 785 x 785 mm
→ Shower tray 800 x 800 mm
770002 00 0 00 0000¹ / # 770002 00 0 10 0000³, 885 x 885 mm
→ Shower tray 900 x 900 mm
770003 00 0 00 0000¹ / # 770003 00 0 10 0000³, 985 x 985 mm
→ Shower tray 1000 x 1000 mm
Shower screen



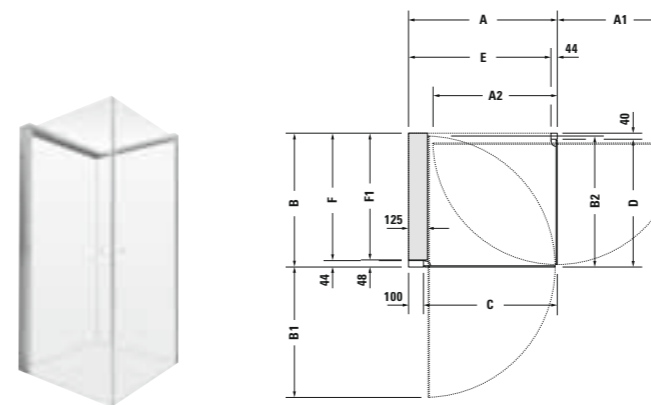
	A	A1	A2	B	B1	B2	C	D	E	F	F1	F2	G	H	I	J
770001	785	725	727	785	665	667	685	745	741	741	390	347	649	709	685	745
770002	885	825	827	885	765	767	785	845	841	841	400	437	749	809	785	845
770003	985	925	927	985	865	867	885	945	941	941	410	527	849	909	885	945



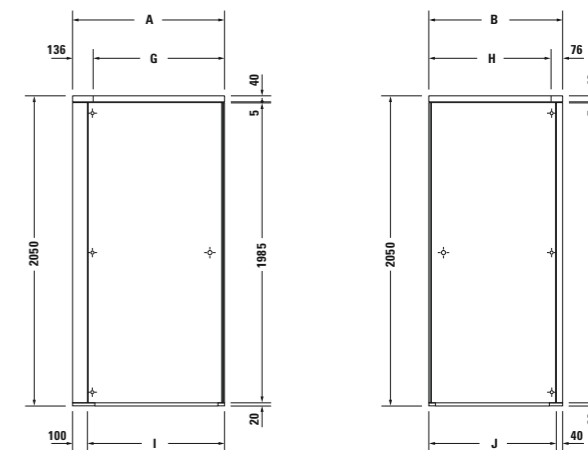
770001 00 0 00 0000² / # 770001 00 0 10 0000⁴, 785 x 785 mm
→ Shower tray 800 x 800 mm
770002 00 0 00 0000² / # 770002 00 0 10 0000⁴, 885 x 885 mm
→ Shower tray 900 x 900 mm
770003 00 0 00 0000² / # 770003 00 0 10 0000⁴, 985 x 985 mm
→ Shower tray 1000 x 1000 mm
Shower screen



	A	A1	A2	B	B1	B2	C	D	E	F	F1	F2	G	H	I	J
770001	785	725	727	785	665	667	685	745	741	741	390	347	649	709	685	745
770002	885	825	827	885	765	767	785	845	841	841	400	437	749	809	785	845
770003	985	925	927	985	865	867	885	945	941	941	410	527	849	909	885	945

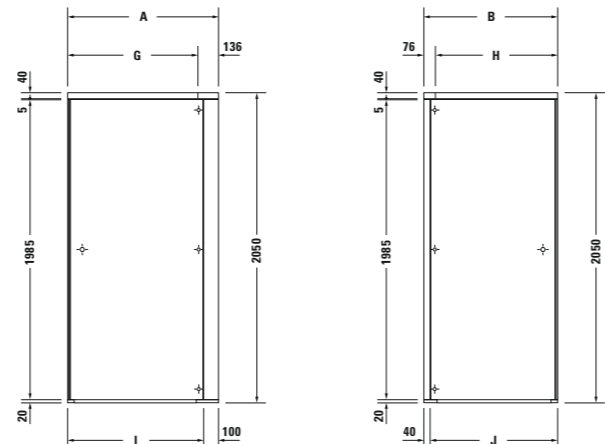
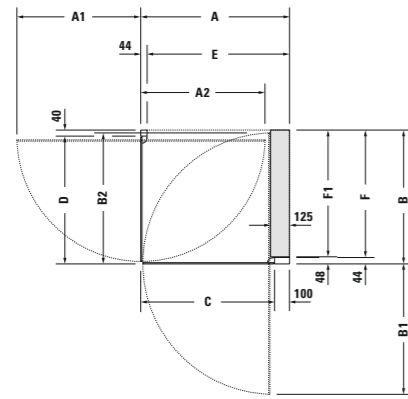


770004 00 0 00 0000¹ / # 770004 00 0 10 0000³, 885 x 785 mm
→ Shower tray 900 x 800 mm
770005 00 0 00 0000¹ / # 770005 00 0 10 0000³, 985 x 885 mm
→ Shower tray 1000 x 900 mm
Shower screen



	A	A1	A2	B	B1	B2	C	D	E	F	F1	G	H	I	J
770004	885	725	727	785	765	767	785	745	841	741	737	749	709	785	745
770005	985	825	827	885	865	867	885	845	941	841	837	849	809	885	845

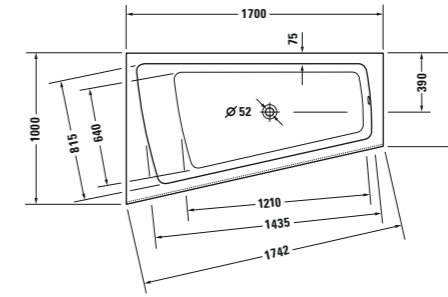
■ Mounting area for taps.
¹ Transparent glass, tap left.
² Transparent glass, tap right.
³ Transparent and mirror glass, tap left.
⁴ Transparent and mirror glass, tap right.



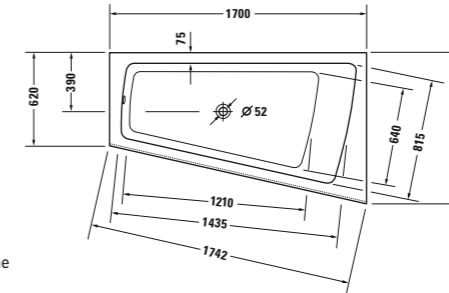
	A	A1	A2	B	B1	B2	C	D	E	F	F1	G	H	I	J
770004	885	725	727	785	765	767	785	745	841	741	737	749	709	785	745
770005	985	825	827	885	865	867	885	845	941	841	837	849	809	885	845

770004 00 0 00 0000² / # 770004 00 0 10 0000⁴, 885 x 785 mm
 → Shower tray 900 x 800 mm
 # 770005 00 0 00 0000² / # 770005 00 0 10 0000⁴, 985 x 885 mm
 → Shower tray 1000 x 900 mm
 Shower screen

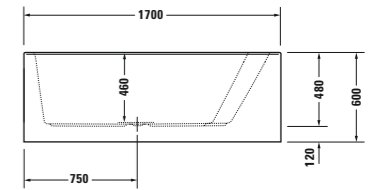
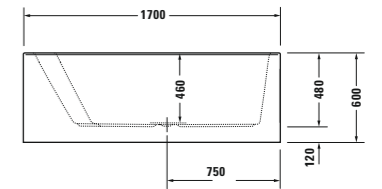
- Mounting area for taps.
- 1 Transparent glass, tap left.
- 2 Transparent glass, tap right.
- 3 Transparent and mirror glass, tap left.
- 4 Transparent and mirror glass, tap right.



700264 00 0 00 0000, 1700 x 1000 mm
 Corner left with integrated acrylic panel and support frame



700265 00 0 00 0000, 1700 x 1000 mm
 Corner right with integrated acrylic panel and support frame



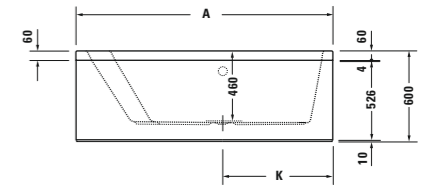
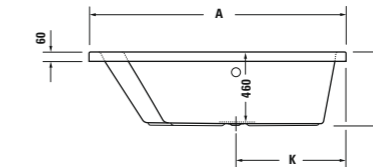
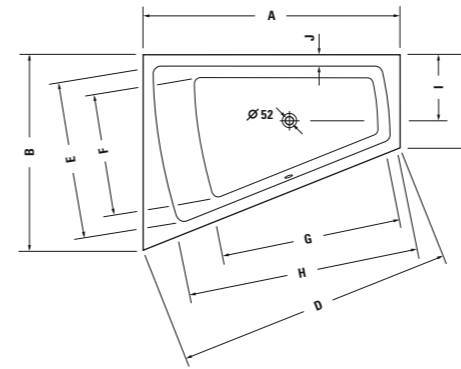
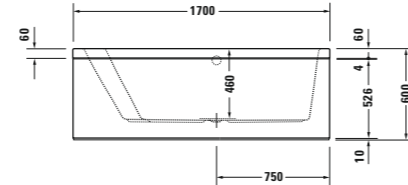
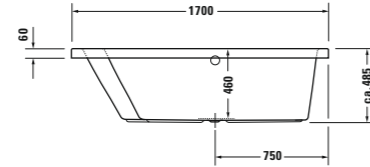
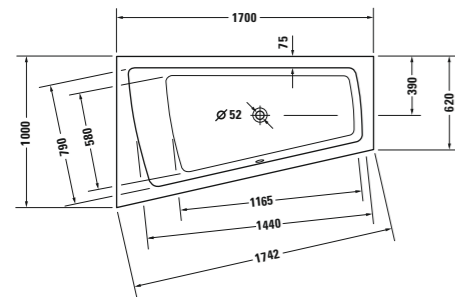
700226 00 0 00 0000, 1700 x 1300 mm
 # 700228 00 0 00 0000, 1800 x 1400 mm
 Corner left, built-in

700220 00 0 00 0000, 1700 x 1300 mm
 # 700222 00 0 00 0000, 1800 x 1400 mm
 Corner left with support frame for furniture panel *



700224 00 0 00 0000, 1700 x 1000 mm
 Corner left, built-in

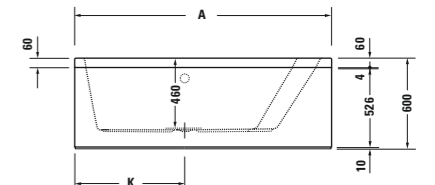
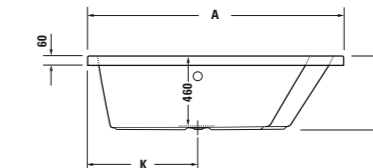
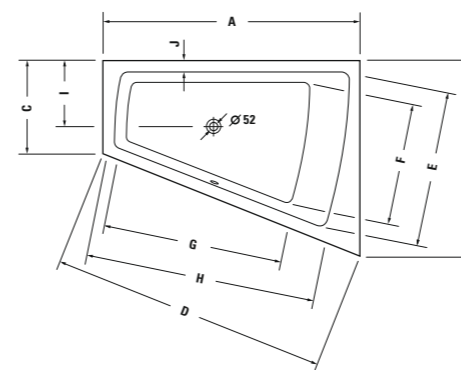
700218 00 0 00 0000, 1700 x 1000 mm
 Corner left with support frame for furniture panel *



	A	B	C	D	E	F	G	H	I	J	K
700214	1700	1300	620	1830	1045	795	1190	1545	440	75	730
700216	1800	1400	680	1937	1140	870	1320	1620	465	75	780
700220	1700	1300	620	1830	1045	795	1190	1545	440	75	730
700222	1800	1400	680	1937	1140	870	1320	1620	465	75	780

700227 00 0 00 0000, 1700 x 1300 mm
 # 700229 00 0 00 0000, 1800 x 1400 mm
 Corner right, built-in

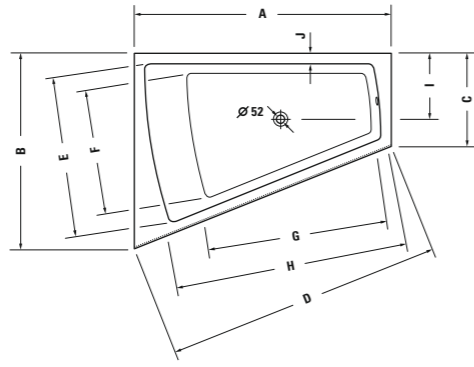
700221 00 0 00 0000, 1700 x 1300 mm
 # 700223 00 0 00 0000, 1800 x 1400 mm
 Corner right with support frame for furniture panel *



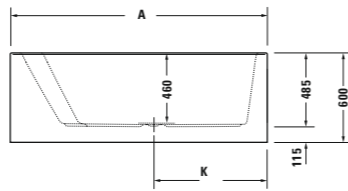
	A	B	C	D	E	F	G	H	I	J	K
700215	1700	1300	620	1830	1045	795	1190	1545	440	75	730
700217	1800	1400	680	1937	1140	870	1320	1620	465	75	780
700221	1700	1300	620	1830	1045	795	1190	1545	440	75	730
700223	1800	1400	680	1937	1140	870	1320	1620	465	75	780



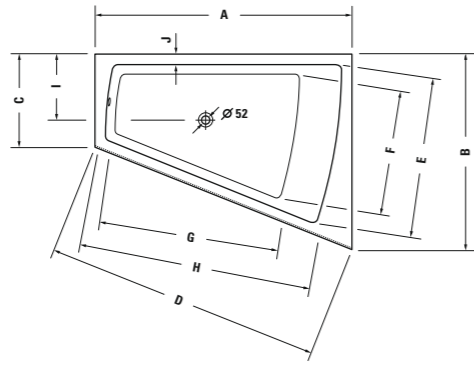
700266 00 0 00 0000, 1700 x 1300 mm
700268 00 0 00 0000, 1800 x 1400 mm
Corner left with integrated acrylic panel and support frame



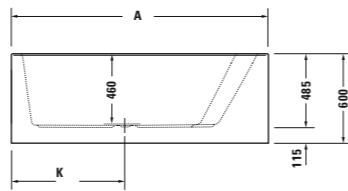
	A	B	C	D	E	F	G	H	I	J	K
700266	1700	1300	620	1830	1045	830	1215	1515	435	75	730
700268	1800	1400	680	1937	1140	870	1320	1620	465	75	730



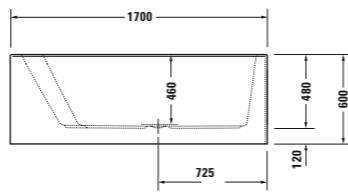
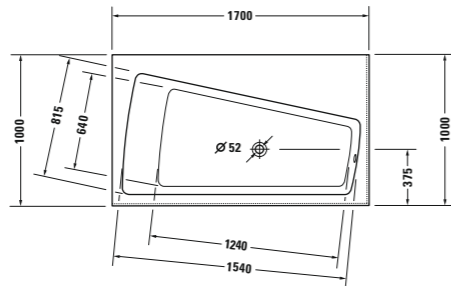
700267 00 0 00 0000, 1700 x 1300 mm
700269 00 0 00 0000, 1800 x 1400 mm
Corner right with integrated acrylic panel and support frame



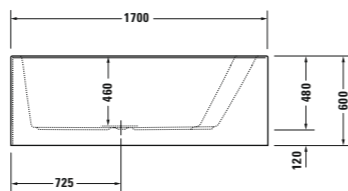
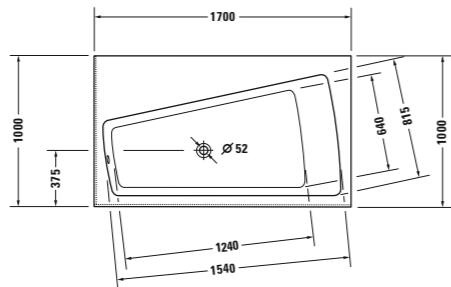
	A	B	C	D	E	F	G	H	I	J	K
700267	1700	1300	620	1830	1045	830	1215	1515	435	75	730
700269	1800	1400	680	1937	1140	870	1320	1620	465	75	730



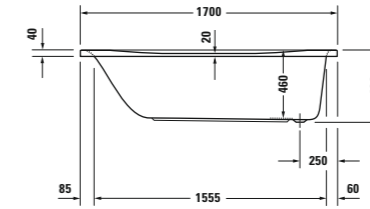
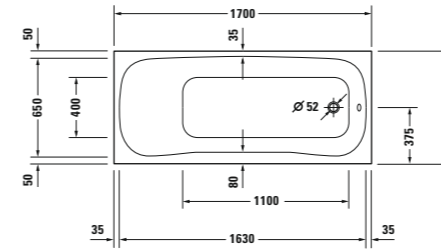
700270 00 0 00 0000, 1700 x 1000 mm*
Corner left, Monolith with integrated acrylic panel and support frame



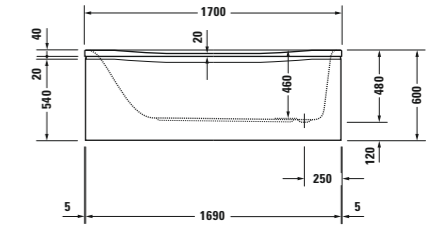
700271 00 0 00 0000, 1700 x 1000 mm*
Corner right, Monolith with integrated acrylic panel and support frame



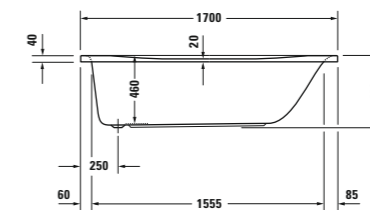
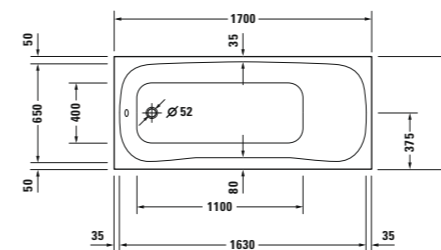
700186 00 0 00 0000, 1700 x 750 mm
Corner left, built-in



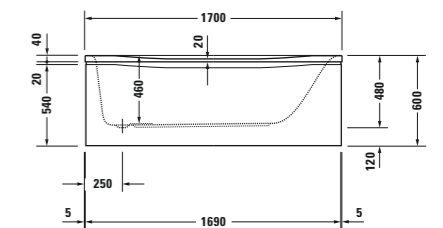
700186 00 0 00 0000, 1700 x 750 mm
Corner left with furniture panel optional *



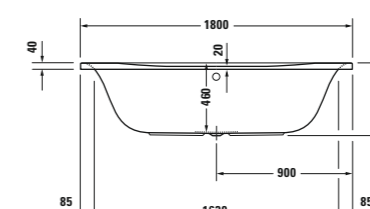
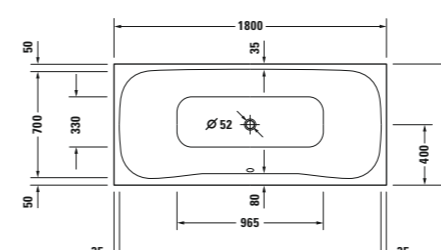
700199 00 0 00 0000, 1700 x 750 mm
Corner right, built-in



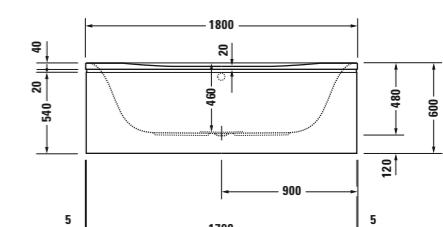
700199 00 0 00 0000, 1700 x 750 mm
Corner right with furniture panel optional *



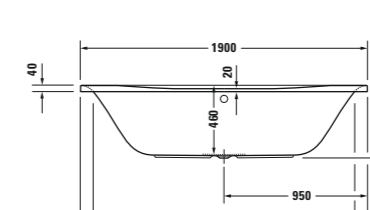
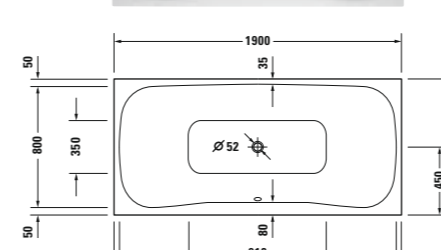
700187 00 0 00 0000, 1800 x 800 mm
Built-in



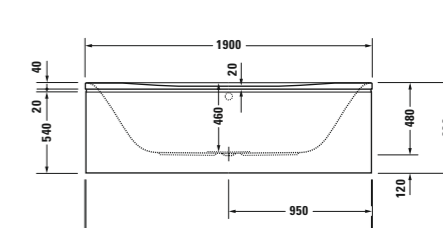
700187 00 0 00 0000, 1800 x 800 mm
With furniture panel optional *



700188 00 0 00 0000, 1900 x 900 mm
Built-in

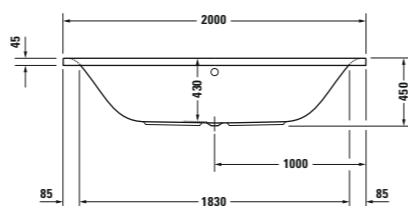
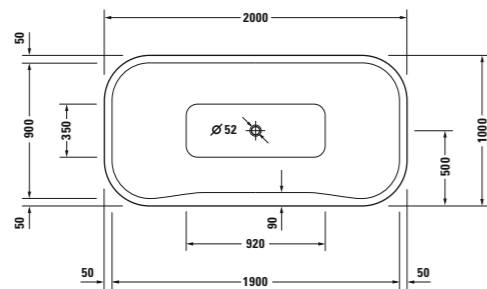


700188 00 0 00 0000, 1900 x 900 mm
With furniture panel optional *

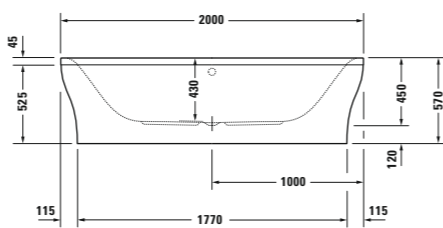
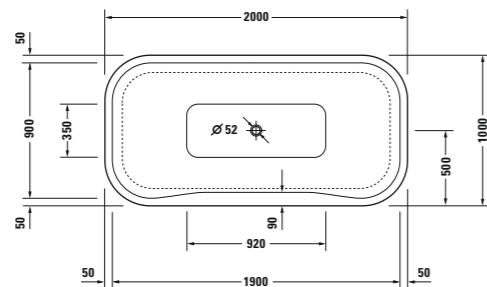




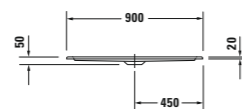
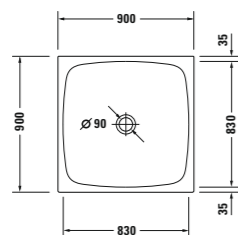
700189 00 0 00 0000, 2000 x 1000 mm
Lay-on version



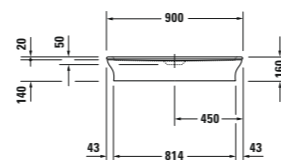
700185 00 0 00 0000, 2000 x 1000 mm
Freestanding with acrylic panel and support frame



720077 00 0 00 0000, 900 x 900 mm



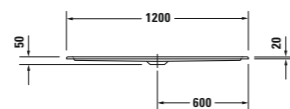
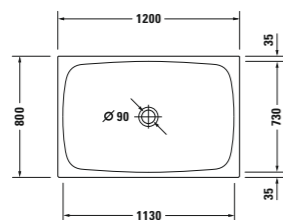
Without panel



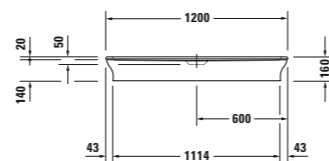
With panel *



720078 00 0 00 0000, 1200 x 800 mm



Without panel

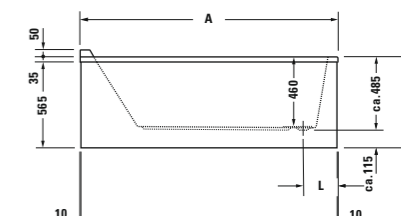
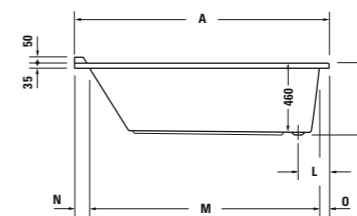
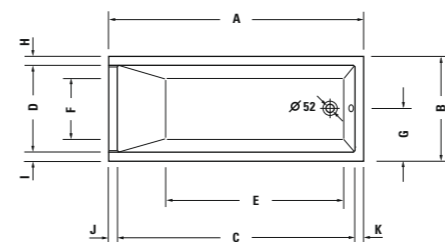


With panel *



- # 700109 00 0 00 0000, 1500 x 700 mm
- # 700110 00 0 00 0000, 1500 x 750 mm
- # 700005 00 0 00 0000, 1600 x 700 mm
- # 700006 00 0 00 0000, 1700 x 700 mm
- # 700007 00 0 00 0000, 1700 x 750 mm
- # 700120 00 0 00 0000, 1700 x 800 mm
- # 700121 00 0 00 0000, 1700 x 900 mm

- # 700109 00 0 00 0000, 1500 x 700 mm
- # 700110 00 0 00 0000, 1500 x 750 mm
- # 700005 00 0 00 0000, 1600 x 700 mm
- # 700006 00 0 00 0000, 1700 x 700 mm
- # 700007 00 0 00 0000, 1700 x 750 mm
- # 700120 00 0 00 0000, 1700 x 800 mm
- # 700121 00 0 00 0000, 1700 x 900 mm

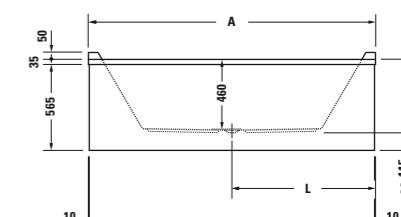
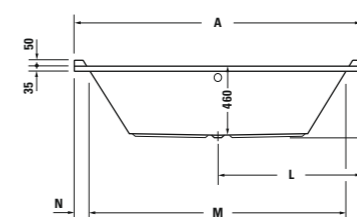
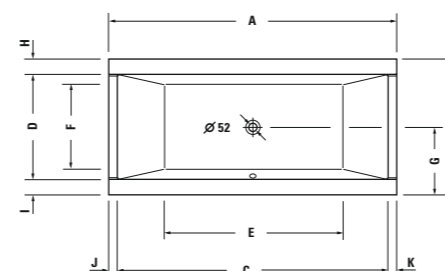


	A	B	C	D	E	F	G	H	I	J	K	L	M	N	O	P
700109	1500	700	1370	570	980	400	350	65	65	65	65	230	1335	100	65	1480
700110	1700	750	1370	620	980	420	375	65	65	65	65	230	1335	100	65	1480
700005	1600	700	1470	570	1080	400	350	65	65	65	65	205	1435	100	65	1580
700006	1700	700	1570	570	1180	400	350	65	65	65	65	205	1535	100	65	1680
700007	1700	750	1555	590	1170	400	375	80	80	65	80	230	1515	105	80	1680
700120	1700	800	1570	640	1180	460	400	80	80	65	65	230	1535	100	65	1680
700121	1700	900	1570	740	1180	560	450	80	80	65	65	230	1535	100	65	1680



- # 700208 00 0 00 0000, 1800 x 800 mm
- # 700209 00 0 00 0000, 1800 x 900 mm
- # 700210 00 0 00 0000, 1900 x 900 mm
- # 700211 00 0 00 0000, 2000 x 1000 mm

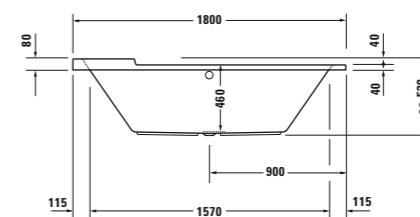
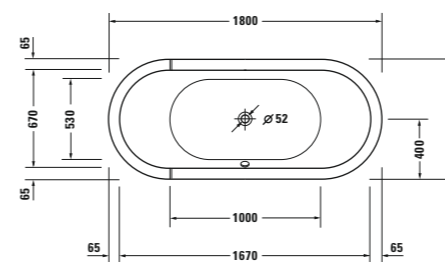
- # 700208 00 0 00 0000, 1800 x 800 mm
- # 700209 00 0 00 0000, 1800 x 900 mm
- # 700210 00 0 00 0000, 1900 x 900 mm
- # 700211 00 0 00 0000, 2000 x 1000 mm



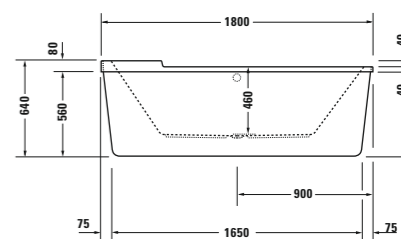
	A	B	C	D	E	F	G	H	I	J	K	L	M	N	O	P
700208	1800	800	1670	640	1080	460	400	80	80	65	65	900	1590	105	105	1780
700209	1800	900	1670	740	1080	560	450	80	80	65	65	900	1600	100	100	1780
700210	1900	900	1770	700	1175	560	450	100	100	65	65	950	1690	105	105	1880
700211	2000	1000	1870	800	1245	660	500	100	100	65	65	1000	1790	105	105	1980



700130 00 0 00 0000, 1800 x 800 mm
Built-in

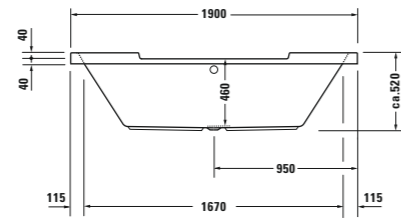
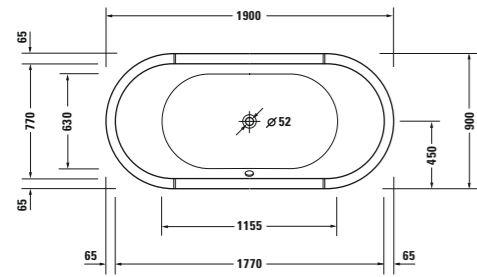


700010 00 0 00 0000, 1800 x 800 mm
Freestanding with panel and support frame

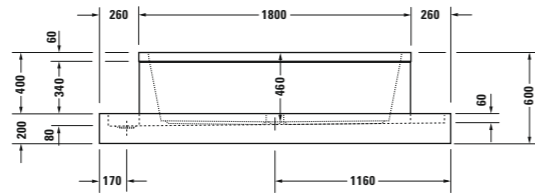
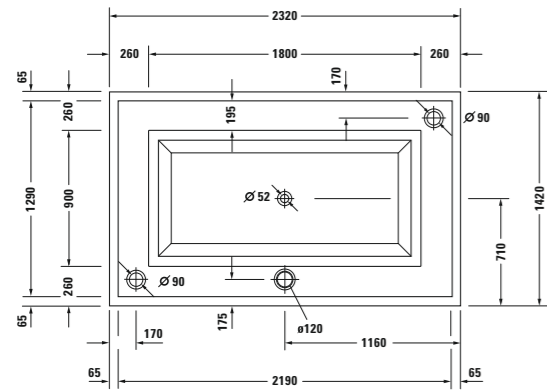
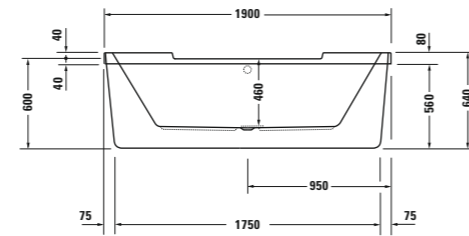




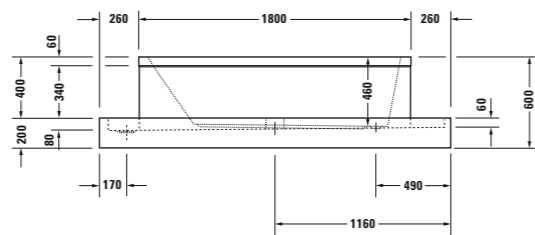
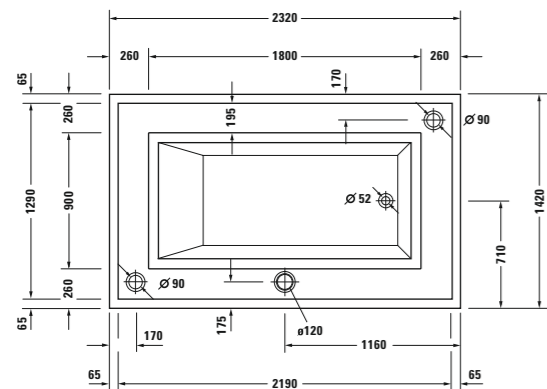
700140 00 0 00 0000, 1900 x 900 mm
Built-in



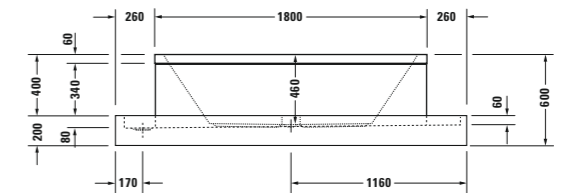
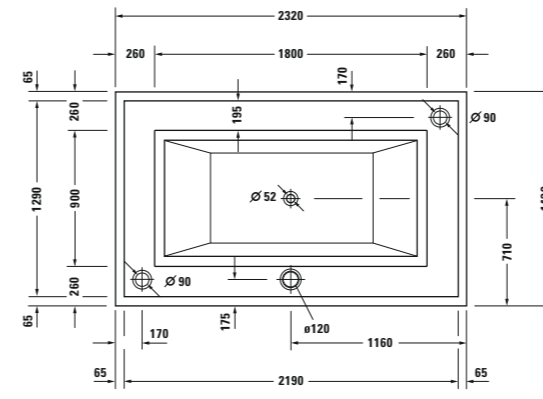
700012 00 0 00 0000, 1900 x 900 mm
Freestanding with panel and support frame



700057 00 0 00 1000, 2320 x 1420 mm
With special handled stones
700058 00 0 00 1000, 2320 x 1420 mm
With wooden inlays for tub trench
Freestanding without backrest slope



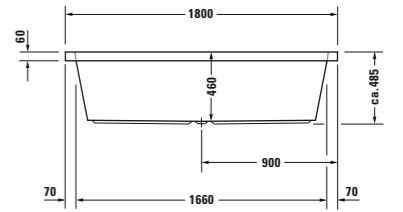
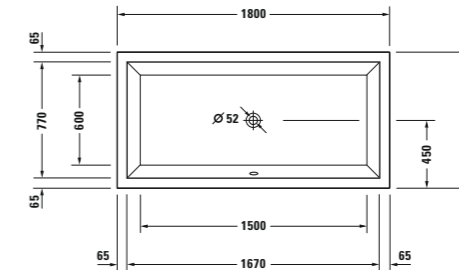
700059 00 0 00 1000, 2320 x 1420 mm
With special handled stones
700060 00 0 00 1000, 2320 x 1420 mm
With wooden inlays for tub trench
Freestanding with one backrest slope



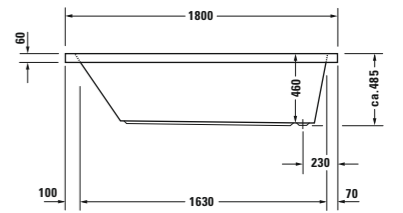
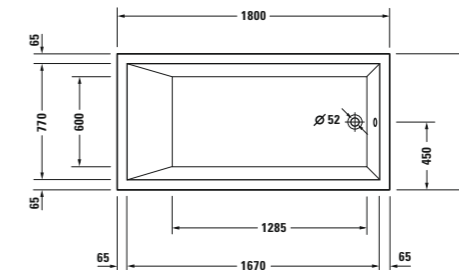
700061 00 0 00 1000, 2320 x 1420 mm
With special handled stones
700062 00 0 00 1000, 2320 x 1420 mm
With wooden inlays for tub trench
Freestanding with two backrest slopes



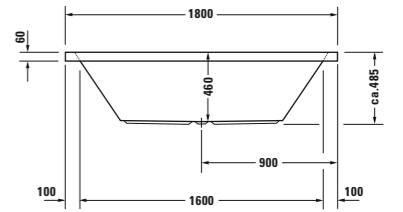
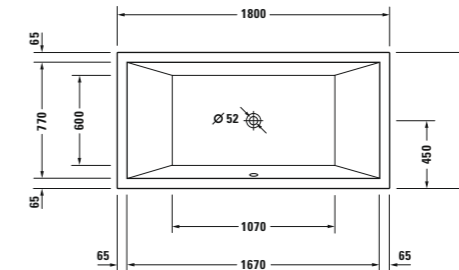
700054 00 0 00 0000, 1800 x 900 mm
Built-in



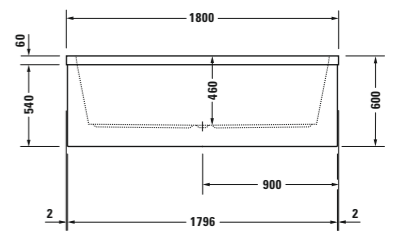
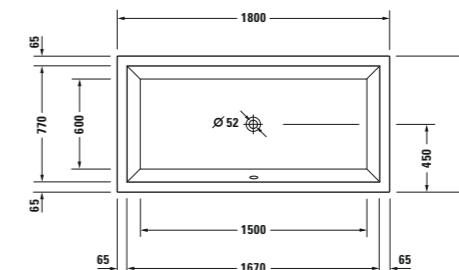
700055 00 0 00 0000*, 1800 x 900 mm
Built-in



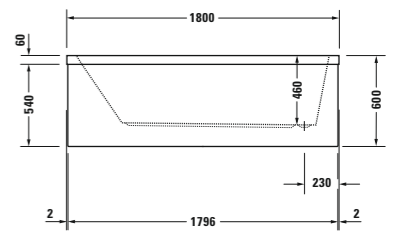
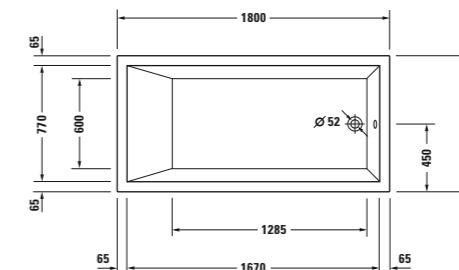
700056 00 0 00 0000*, 1800 x 900 mm
Built-in



700088 00 0 00 0000, 1800 x 900 mm
Freestanding with acrylic panel and support frame

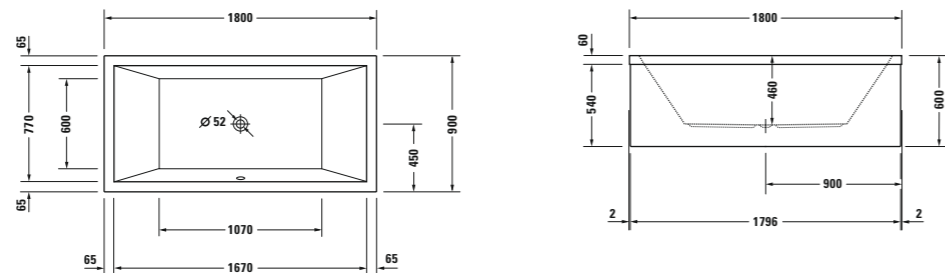


700089 00 0 00 0000*, 1800 x 900 mm
Freestanding with acrylic panel and support frame

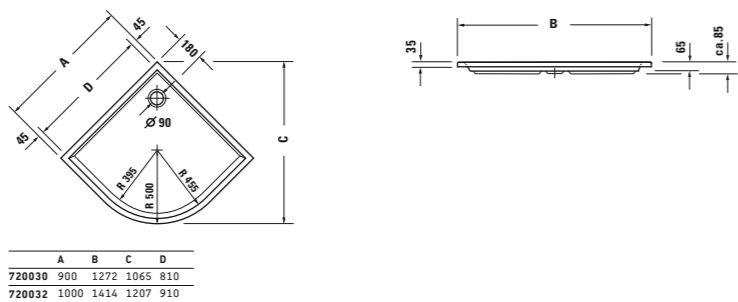




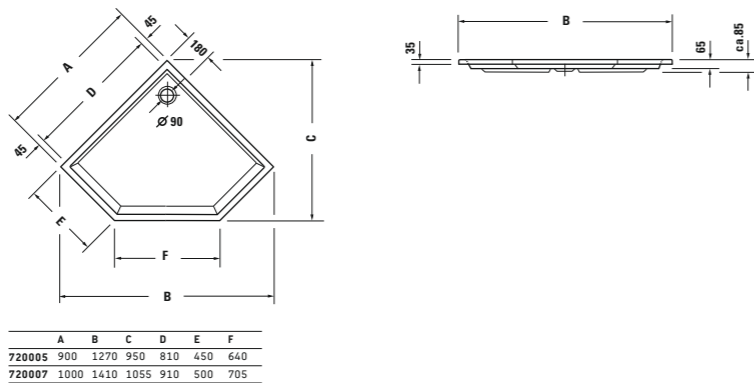
700090 00 0 00 0000*, 1800 x 900 mm
Freestanding with acrylic panel and support frame



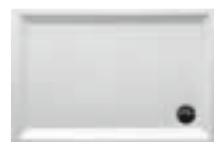
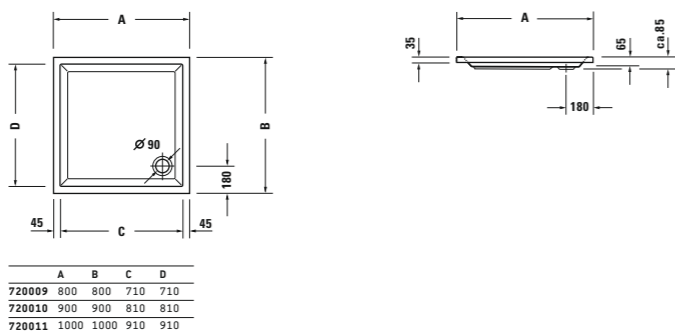
720030 00 0 00 0000, 900 x 900 mm
720032 00 0 00 0000, 1000 x 1000 mm
Without panel



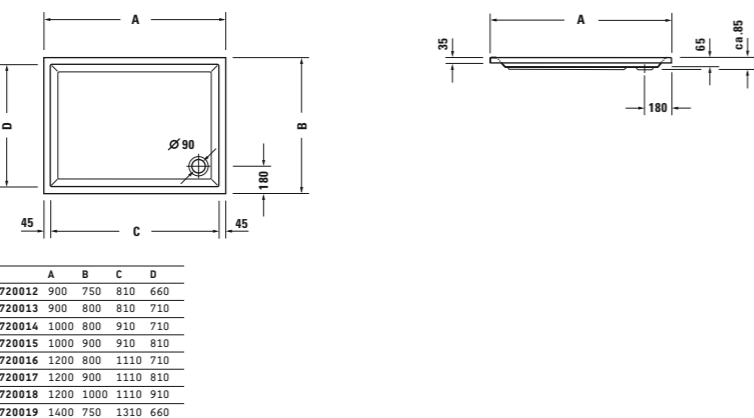
720005 00 0 00 0000, 900 x 900 mm
720007 00 0 00 0000, 1000 x 1000 mm
Without panel



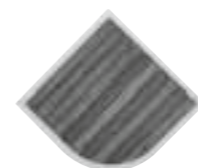
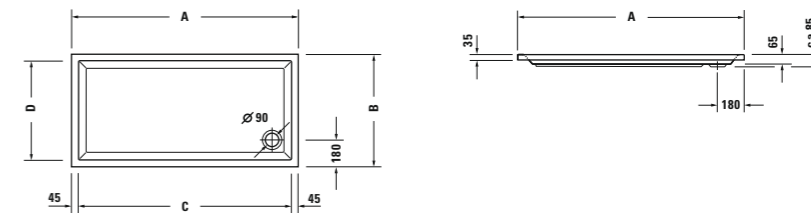
720009 00 0 00 0000, 800 x 800 mm
720010 00 0 00 0000, 900 x 900 mm
720011 00 0 00 0000, 1000 x 1000 mm
Without panel



720012 00 0 00 0000, 900 x 750 mm
720013 00 0 00 0000, 900 x 800 mm
720014 00 0 00 0000, 1000 x 800 mm
720015 00 0 00 0000, 1000 x 900 mm
720016 00 0 00 0000, 1200 x 800 mm
720017 00 0 00 0000, 1200 x 900 mm
720018 00 0 00 0000, 1200 x 1000 mm
720019 00 0 00 0000, 1400 x 750 mm
Without panel



720034 00 0 00 0000, 1400 x 700 mm
720035 00 0 00 0000, 1400 x 900 mm
720036 00 0 00 0000, 1500 x 700 mm
720037 00 0 00 0000, 1500 x 750 mm
720038 00 0 00 0000, 1600 x 700 mm
720039 00 0 00 0000, 1600 x 750 mm
720040 00 0 00 0000, 1600 x 900 mm
720061 00 0 00 0000, 1700 x 750 mm
720041 00 0 00 0000, 1700 x 900 mm
720042 00 0 00 0000, 1800 x 900 mm
Without panel



790811 00 0 00 0000
→ # 720032
Wooden inlay



790815 00 0 00 0000
→ # 720009
790816 00 0 00 0000
→ # 720010
790807 00 0 00 0000
→ # 720011
Wooden inlay

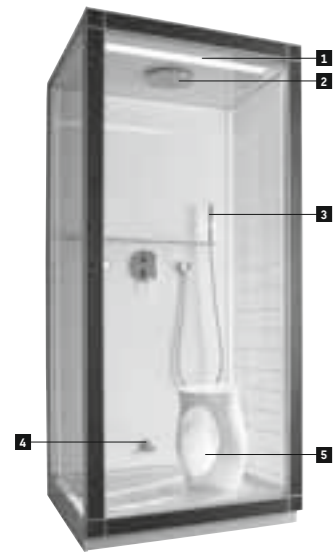


790817 00 0 00 0000
→ # 720012
790818 00 0 00 0000
→ # 720013
790819 00 0 00 0000
→ # 720014
790820 00 0 00 0000
→ # 720015
790822 00 0 00 0000
→ # 720016
Wooden inlay

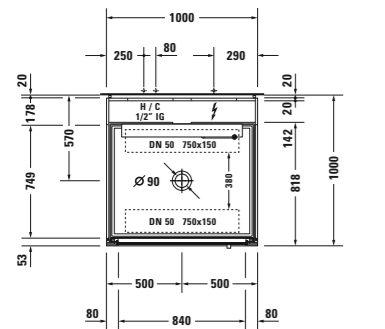
790823 00 0 00 0000
→ # 720017
790824 00 0 00 0000
→ # 720018
790821 00 0 00 0000
→ # 720019
790825 00 0 00 0000
→ # 720034
790808 00 0 00 0000
→ # 720035
Wooden inlay

790826 00 0 00 0000
→ # 720036
790827 00 0 00 0000
→ # 720037
790828 00 0 00 0000
→ # 720038
790829 00 0 00 0000
→ # 720039
Wooden inlay

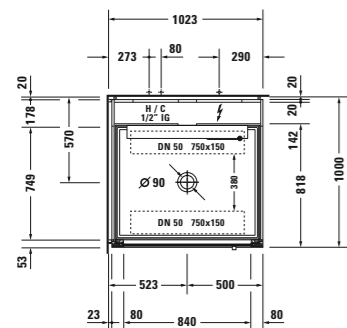
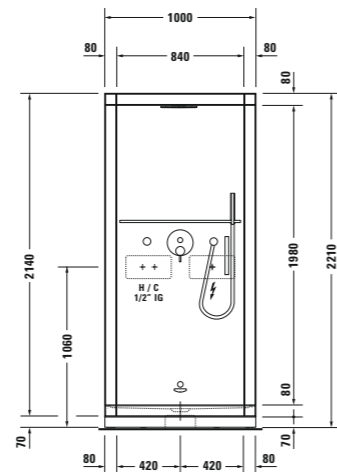
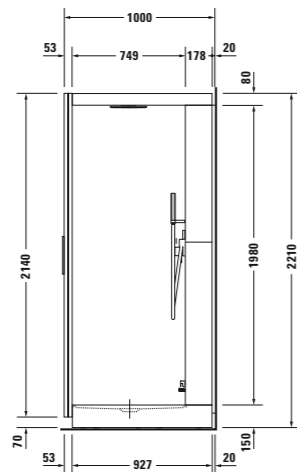
790862 00 0 00 0000
→ # 720061
790830 00 0 00 0000
→ # 720041
790812 00 0 00 0000
→ # 720042
Wooden inlay



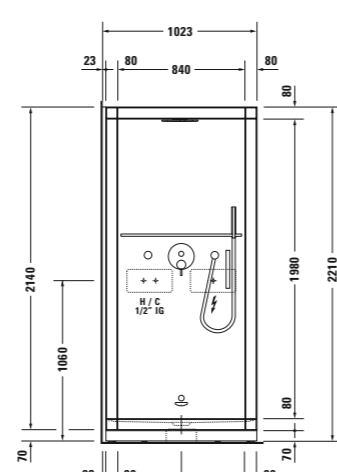
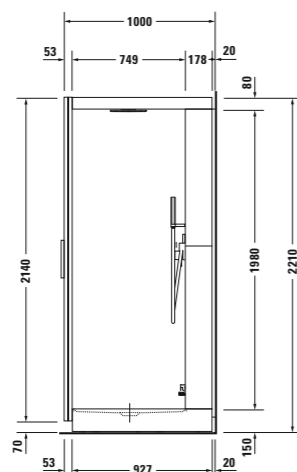
- 1 Lighting**
Linear white illumination creates a pleasant lighting mood in the cabin.
- 2 Overhead shower**
With a showerhead diameter of 240 mm, the overhead shower produces a burst of summer rain.
- 3 Handshower**
The hand shower offers two jets, normal and clear stream.
- 4 Steam**
The powerful steam generator fills the cabin quickly with dense steam.
- 5 Stool, Design by Philippe Starck**



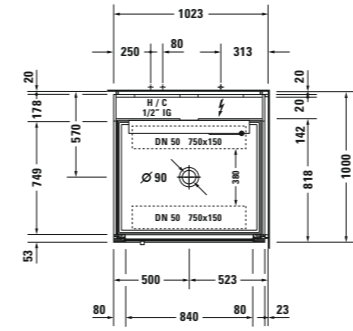
730009 ** 0 00 0000, 1000 x 1000 x 2210 mm
Back-to-wall *



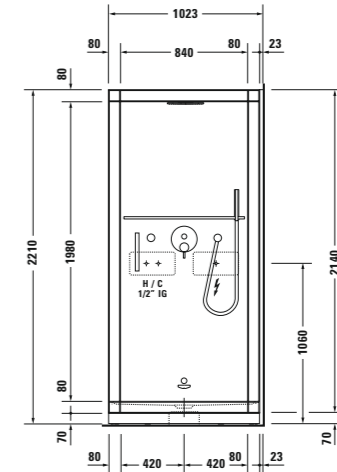
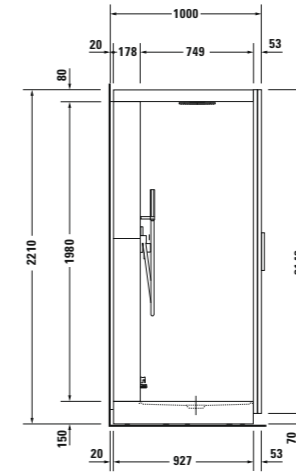
730010 ** 0 00 0000, 1000 x 1000 x 2210 mm
Corner left *



H Hot water point
C Cold water point
** Please add the furniture colour code for the surface of the door frame at the 7th and 8th digit code when ordering St.Trop.
* Australia/New Zealand: Attached taps/shower values need to be removed and replaced by Australian/New Zealand items.



730011 ** 0 00 0000, 1000 x 1000 x 2210 mm
Corner right *



H Hot water point
C Cold water point
** Please add the furniture colour code for the surface of the door frame at the 7th and 8th digit code when ordering St.Trop.
* Australia/New Zealand: Attached taps/shower values need to be removed and replaced by Australian/New Zealand items.

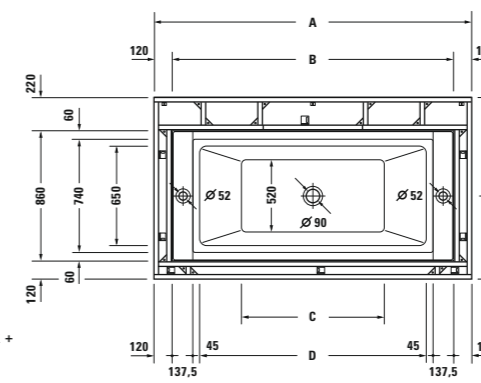
Design by E00S

Sundeck

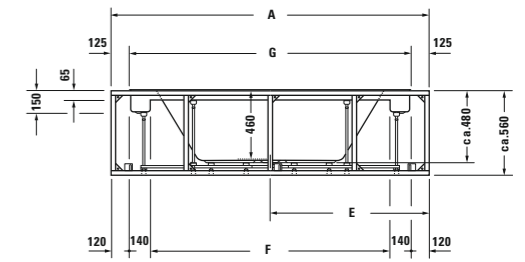


700065 00 0 00 0000, 2105 x 1200 mm +
790831 00 0 00 0000, Foldable relaxing deck +
790153 00 0 00 0000, Rail-mount system

700126 00 0 00 0000, 2305 x 1200 mm +
790848 00 0 00 0000, Foldable relaxing deck +
790154 00 0 00 0000, Rail-mount system
Built-in with rail-mount system

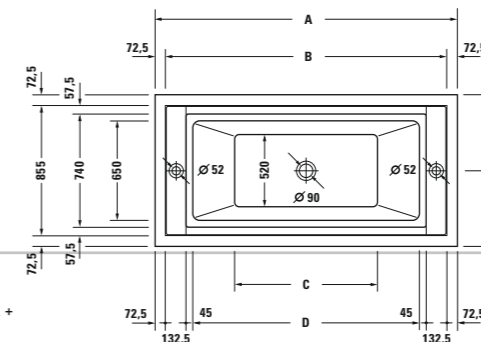


	A	B	C	D	E	F	G
700065	2105	1865	1050	1500	1052,5	ca. 1575	1855
700126	2305	2065	1220	1700	1152,5	ca. 1775	2055

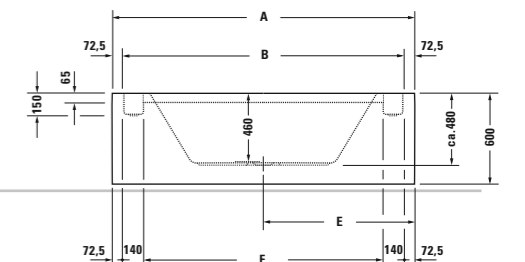


700065 00 0 00 0000, 2000 x 1000 mm +
790831 00 0 00 0000, Foldable relaxing deck +
790453 00 0 00 0000, Support

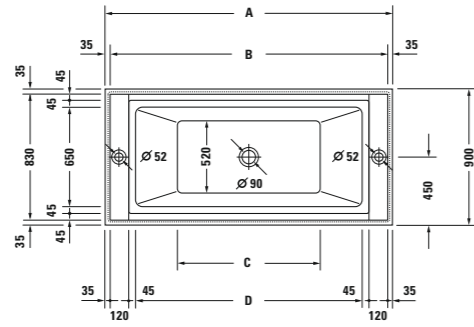
700126 00 0 00 0000, 2200 x 1000 mm +
790848 00 0 00 0000, Foldable relaxing deck +
790496 00 0 00 0000, Support
Built-in with support



	A	B	C	D	E	F
700065	2000	1855	1050	1500	1000	ca. 1575
700126	2200	2055	1220	1700	1100	ca. 1775

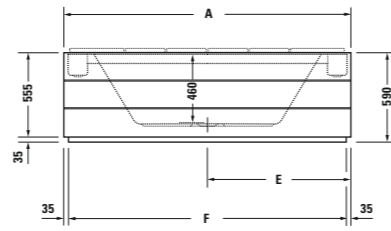


H Hot water point
C Cold water point
** Please add the furniture colour code for the surface of the door frame at the 7th and 8th digit code when ordering St.Trop.
* Australia/New Zealand: Attached taps/shower values need to be removed and replaced by Australian/New Zealand items.

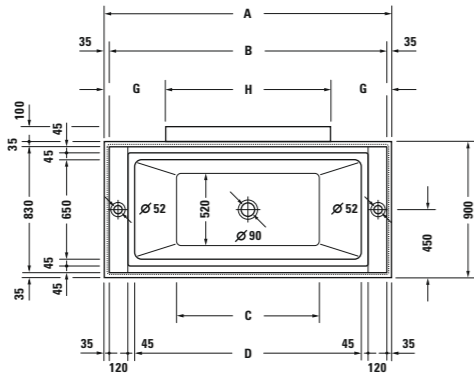
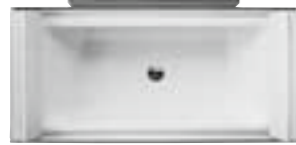


700066 00 0 00 0000, 1900 x 900 mm +
790831 00 0 00 0000, Foldable relaxing deck

700128 00 0 00 0000, 2100 x 900 mm +
790848 00 0 00 0000, Foldable relaxing deck
With support frame for furniture panel *

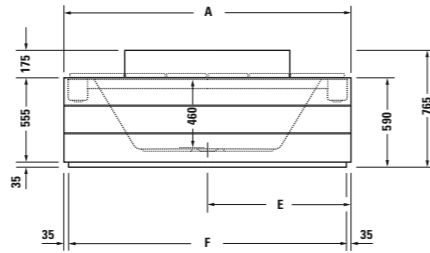


	A	B	C	D	E	F
700066	1900	1830	1050	1500	950	1830
700128	2100	2030	1220	1700	1050	2030

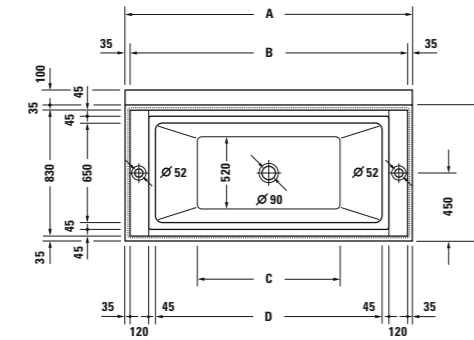


700066 00 0 00 0000, 1900 x 1000 mm +
790831 00 0 00 0000, Foldable relaxing deck

700128 00 0 00 0000, 2100 x 1000 mm +
790848 00 0 00 0000, Foldable relaxing deck
With support frame for furniture panel *

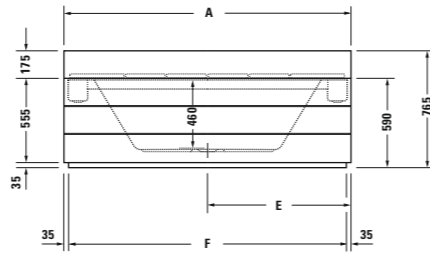


	A	B	C	D	E	F	G	H
700066	1900	1830	1050	1500	950	1830	405	1090
700128	2100	2030	1220	1700	1050	2030	505	1090

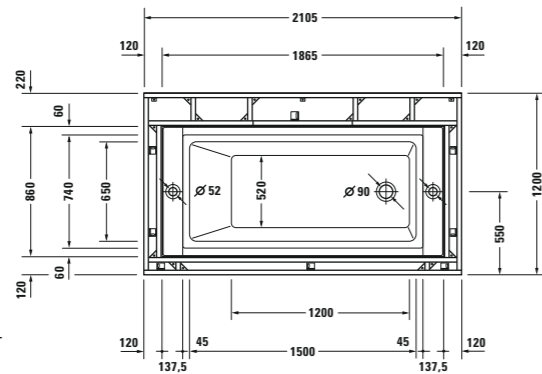


700066 00 0 00 0000, 1900 x 1000 mm +
790831 00 0 00 0000, Foldable relaxing deck

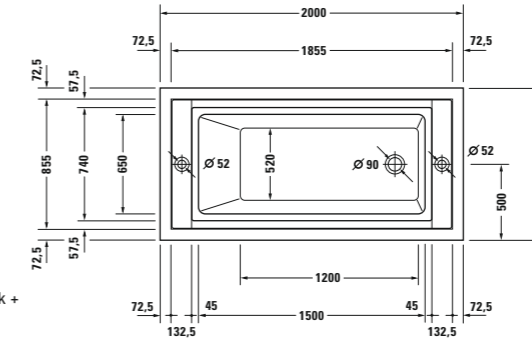
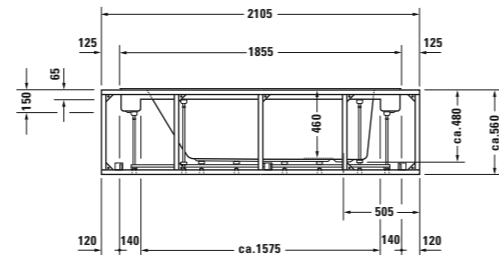
700128 00 0 00 0000, 2100 x 1000 mm +
790848 00 0 00 0000, Foldable relaxing deck
With support frame for furniture panel *



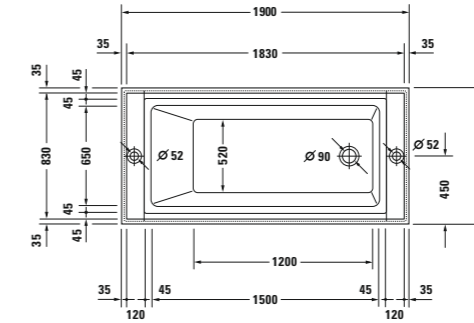
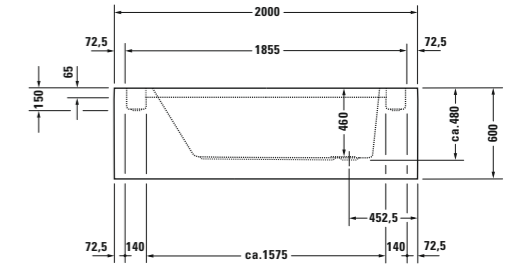
	A	B	C	D	E	F
700066	1900	1830	1050	1500	950	1830
700128	2100	2030	1220	1700	1050	2030



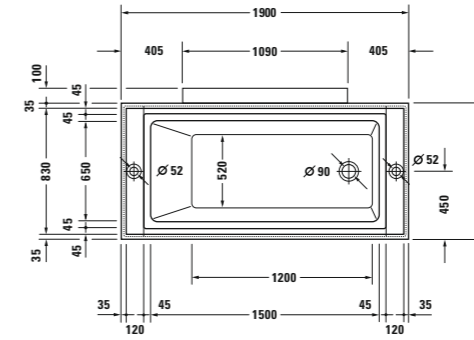
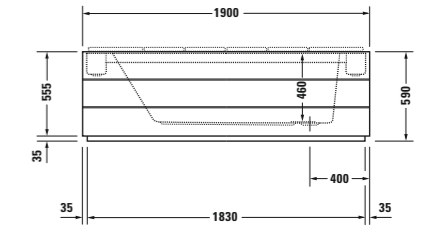
700125 00 0 00 0000, 2105 x 1200 mm +
790831 00 0 00 0000, Foldable relaxing deck +
790156 00 0 00 0000, Rail-mount system
Built-in with rail-mount system



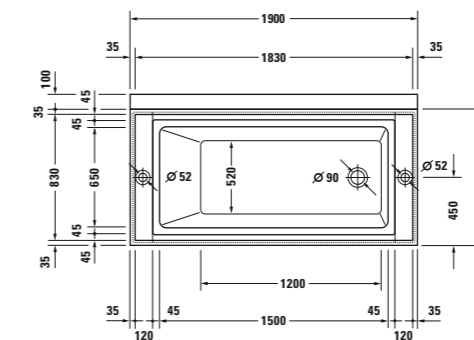
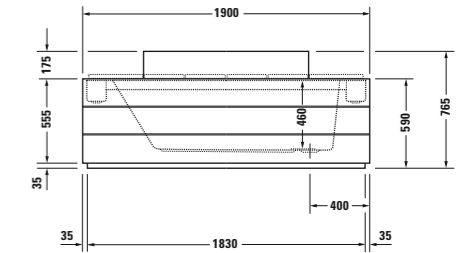
700125 00 0 00 0000, 2000 x 1000 mm +
790831 00 0 00 0000, Foldable relaxing deck +
790495 00 0 00 0000, Support
Built-in with support



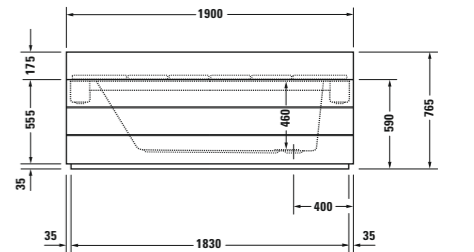
700127 00 0 00 0000, 1900 x 900 mm +
790831 00 0 00 0000, Foldable relaxing deck
With support frame for furniture panel *



700127 00 0 00 0000, 1900 x 1000 mm +
790831 00 0 00 0000, Foldable relaxing deck
With support frame for furniture panel *

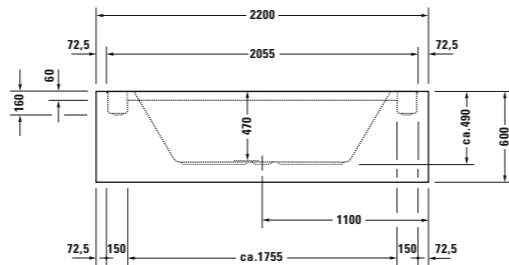
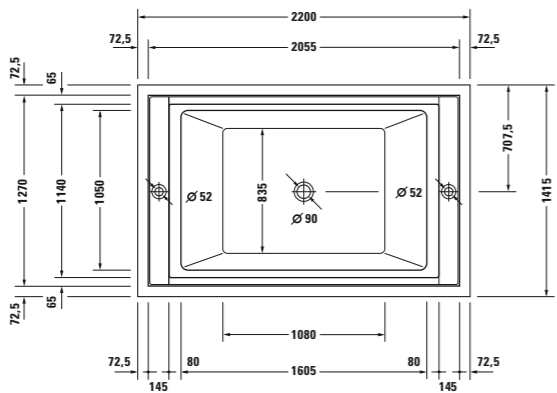


700127 00 0 00 0000, 1900 x 1000 mm +
790831 00 0 00 0000, Foldable relaxing deck
With support frame for furniture panel *

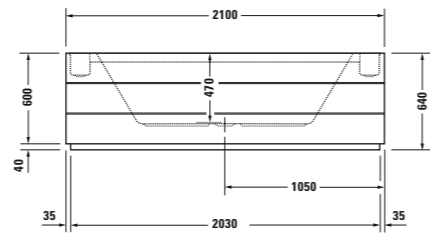
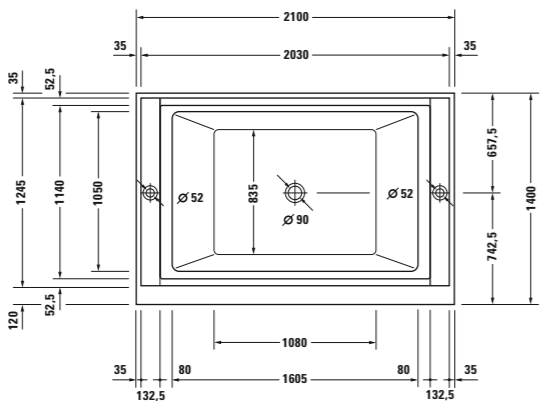




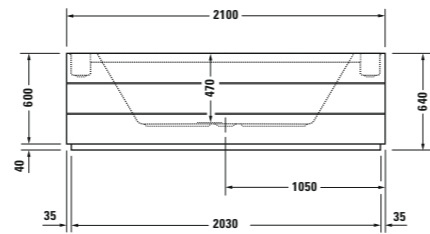
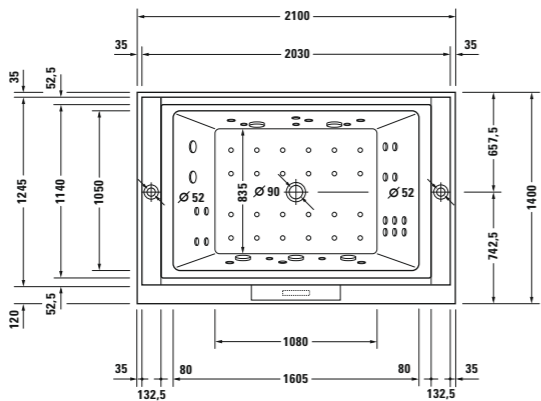
700196 00 0 00 0000, 2200 x 1415 mm +
790875 00 0 00 0000, Foldable relaxing deck
791406 00 0 00 0000, Support
Built-in with support



700197 00 0 00 0000, 2100 x 1400 mm +
790875 00 0 00 0000, Foldable relaxing deck
With support frame for furniture panel *

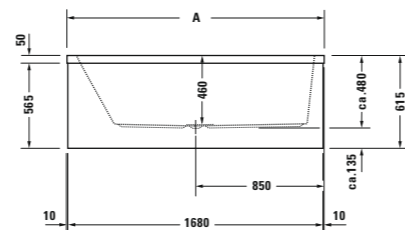
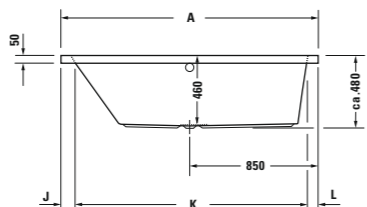
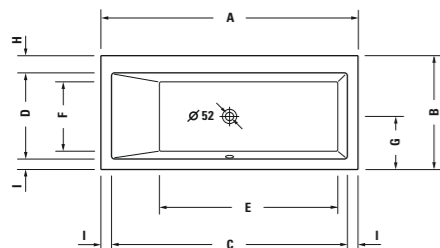


710171 00 8 00, 2100 x 1400 mm +
790875 00 0 00 0000, Foldable relaxing deck
With support frame for furniture panel *
With poolsystem



700144 00 0 00 0000, 1700 x 700 mm
700146 00 0 00 0000, 1700 x 750 mm
Built-in

700144 00 0 00 0000, 1700 x 700 mm
700146 00 0 00 0000, 1700 x 750 mm
With furniture panel optional *

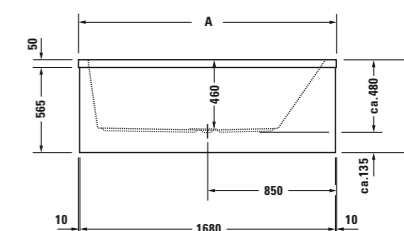
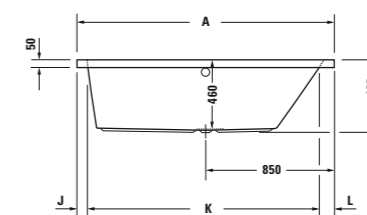
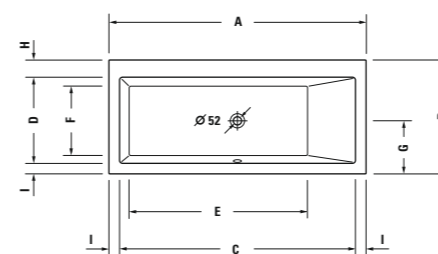


	A	B	C	D	E	F	G	H	I	J	K	L
700144	1700	700	1590	540	1210	425	325	105	55	85	1560	55
700146	1700	750	1560	565	1180	450	325,5	115	70	100	1530	70



700145 00 0 00 0000, 1700 x 700 mm
700147 00 0 00 0000, 1700 x 750 mm
Built-in

700145 00 0 00 0000, 1700 x 700 mm
700147 00 0 00 0000, 1700 x 750 mm
With furniture panel optional *

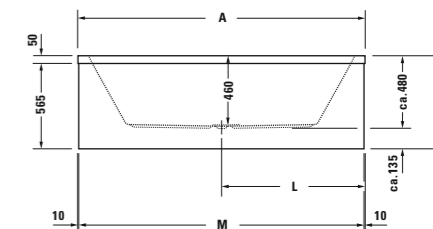
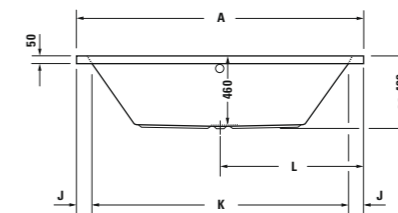
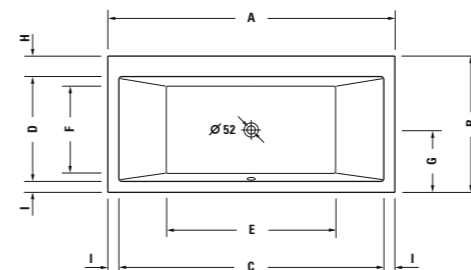


	A	B	C	D	E	F	G	H	I	J	K	L
700145	1700	700	1590	540	1210	425	325	105	55	55	1560	85
700147	1700	750	1560	565	1180	450	325,5	115	70	70	1530	100



700148 00 0 00 0000, 1800 x 800 mm
700149 00 0 00 0000, 1900 x 900 mm
Built-in

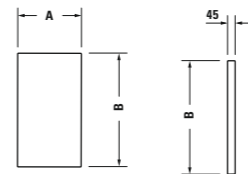
700148 00 0 00 0000, 1800 x 800 mm
700149 00 0 00 0000, 1900 x 900 mm
With furniture panel optional *



	A	B	C	D	E	F	G	H	I	J	K	L	M
700148	1800	800	1660	595	1015	480	367,5	135	70	100	1600	900	1780
700149	1900	900	1760	595	1115	580	417,5	135	70	100	1700	950	1880

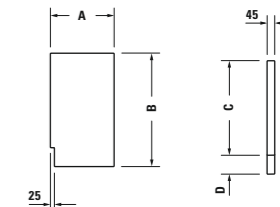
* Suitable furniture panels/accessories see current pricelist.

Bathtub covers



791820 . . 0 00 0000, 700 x 400 mm
→ Starck # 700002
2nd floor # 700073, 700078
791822 . . 0 00 0000, 750 x 400 mm
→ Starck # 700003
791824 . . 0 00 0000, 750 x 425 mm
→ 2nd floor # 700075, 700080
Darling New # 700242, 700243
Daro # 700027
Vero # 700133, 700134
D-Code # 700099, 700100
791826 . . 0 00 0000, 800 x 400 mm
→ Starck # 700204
791828 . . 0 00 0000, 800 x 450 mm
→ 2nd floor # 700076, 700081
Darling New # 700244
Daro # 700028
Vero # 700135
Happy D. # 700015
D-Code # 700101
Bathtub cover

	A	B
791820	400	700
791822	400	750
791824	425	750
791826	450	800
791828	450	800



791821 . . 0 00 0000, 700 x 400 mm
→ Starck # 700002
2nd floor # 700073, 700078
791823 . . 0 00 0000, 750 x 400 mm
→ Starck # 700003
791825 . . 0 00 0000, 750 x 425 mm
→ 2nd floor # 700075, 700080
Darling New # 700242, 700243
Daro # 700027
Vero # 700133, 700134
D-Code # 700099, 700100
791827 . . 0 00 0000, 800 x 400 mm
→ Starck # 700204
791829 . . 0 00 0000, 800 x 450 mm
→ 2nd floor # 700076, 700081
Darling New # 700244
Daro # 700028
Vero # 700135
Happy D. # 700015
D-Code # 700101
Bathtub cover with cut-out for hand shower tube

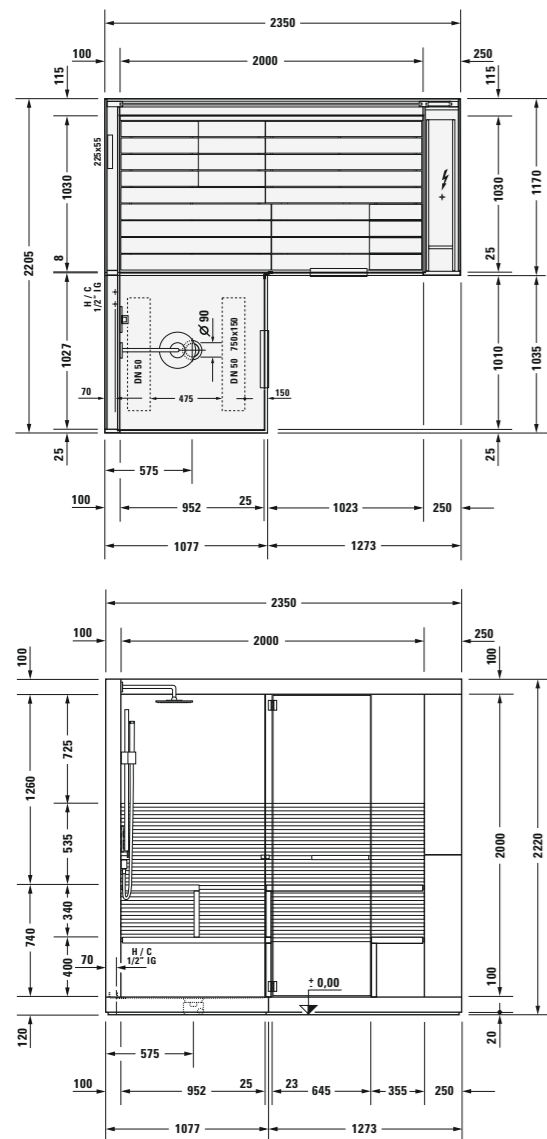
	A	B	C	D
791821	400	700	575	125
791823	400	750	625	125
791825	425	750	625	125
791827	450	800	675	125
791829	450	800	675	125

. . 00 - White, 68 - Anthracite

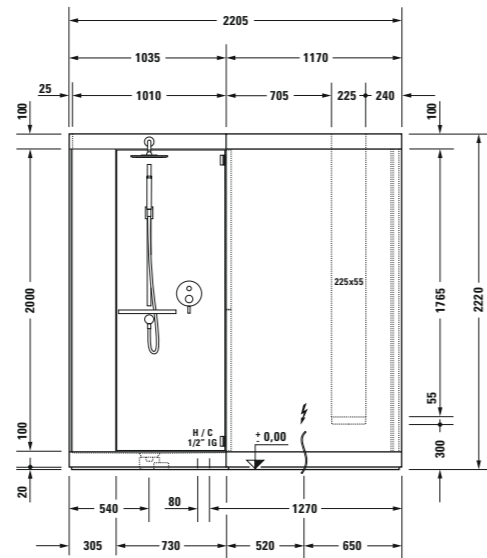
* Suitable furniture panels/accessories see current pricelist.



- 1** A fully-functional shower connection
Overhead shower (240 mm)
Adjustable shower head (normal-/Kneipp jet)
Single lever tap with re-setter
- 2** Heater with vaporiser
- 3** Control
- 4** 2 lounge- and seating levels
- 5** Fan
- 6** Coloured light
- 7** Speakers

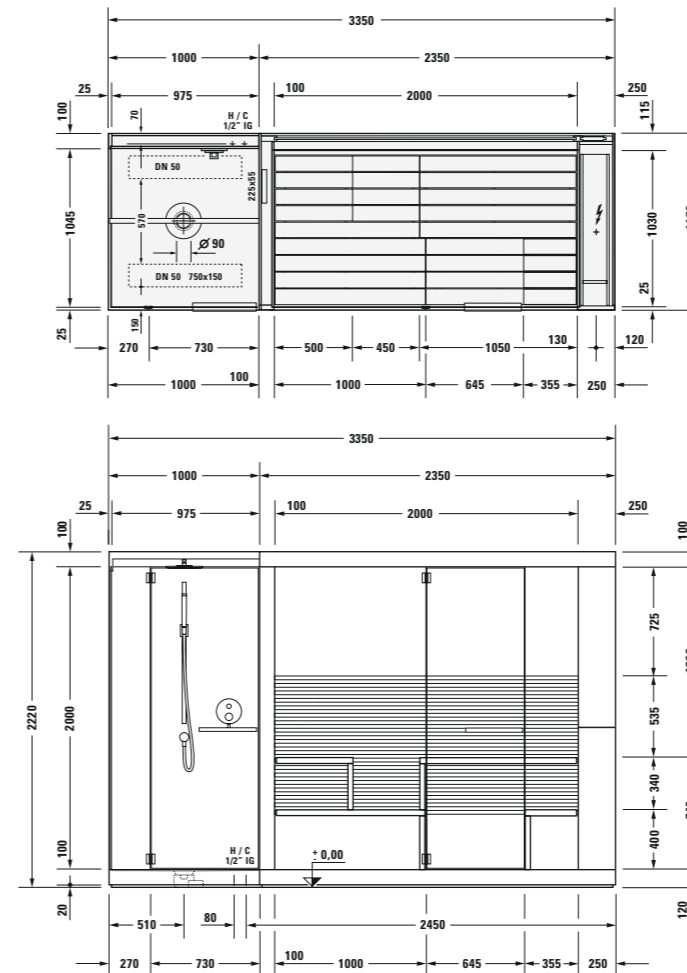


Inipi Ama Sauna with shower connection front
7503 00 1 01 1000**, 2350 x 2205 x 2220 mm
 Back-to-wall and corner version *
7504 00 1 01 1000**, 2350 x 2221 x 2220 mm
 Freestanding *

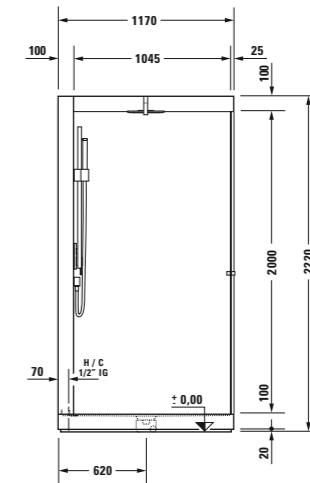


7504**
 ↔ + 16 mm
 Freestanding

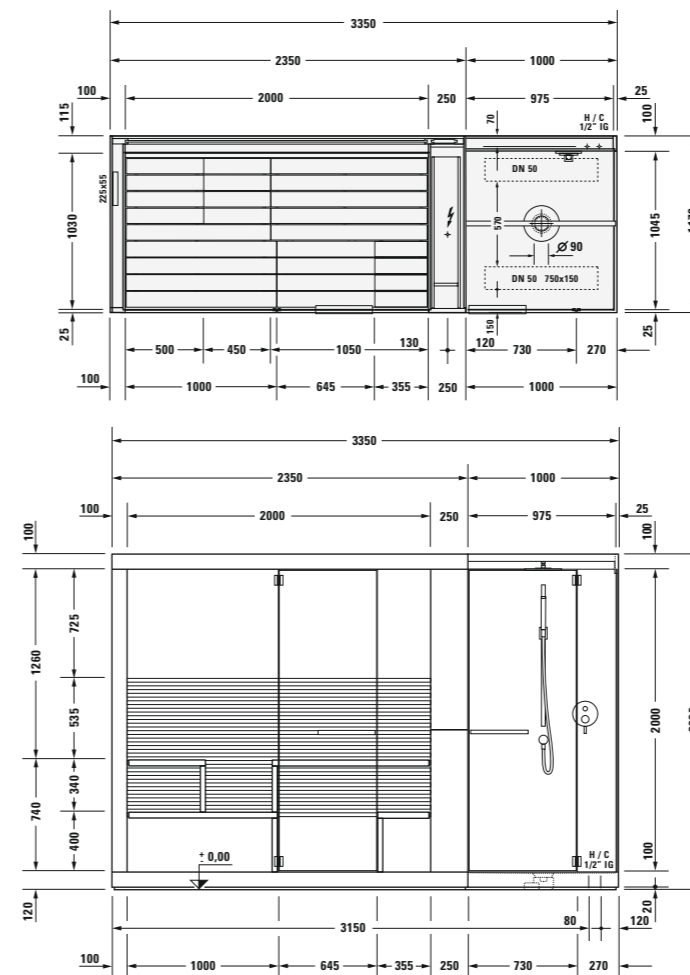
H Hot water point
 C Cold water point
 ** Please add the furniture colour code at the 5th and 6th digit code, when ordering Inipi.
 * Australia/New Zealand: Attached taps/shower values need to be removed and replaced by Australian/New Zealand items.



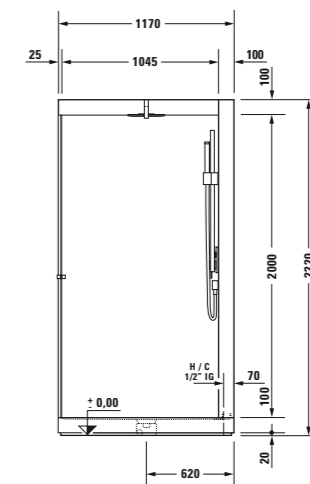
Inipi Ama Sauna with shower connection left
7505 00 1 01 1000**, 3350 x 1170 x 2220 mm
 Back-to-wall and corner version *
7506 00 1 01 1000**, 3350 x 1186 x 2220 mm
 Freestanding *



7506**
 ↔ + 16 mm
 Freestanding

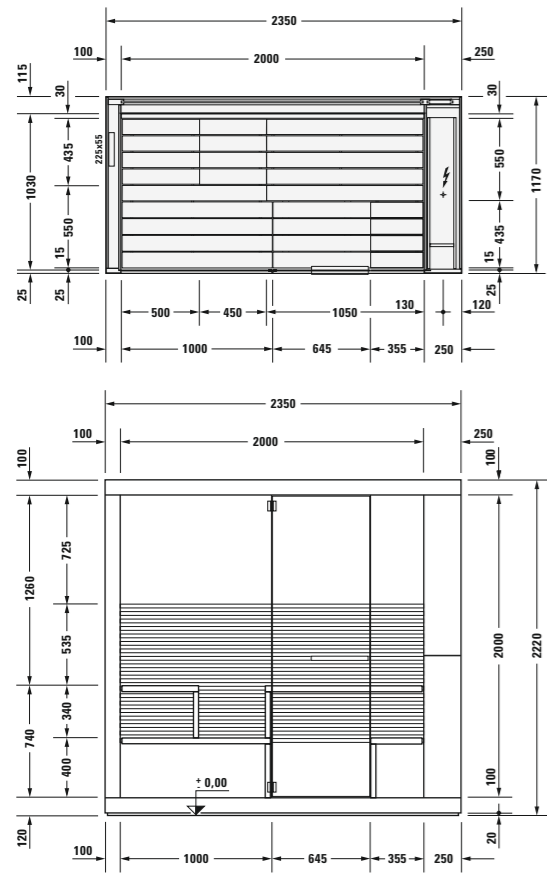


Inipi Ama Sauna with shower connection right
7507 00 1 01 1000**, 3350 x 1170 x 2220 mm
 Back-to-wall and corner version *
7508 00 1 01 1000**, 3350 x 1186 x 2220 mm
 Freestanding *

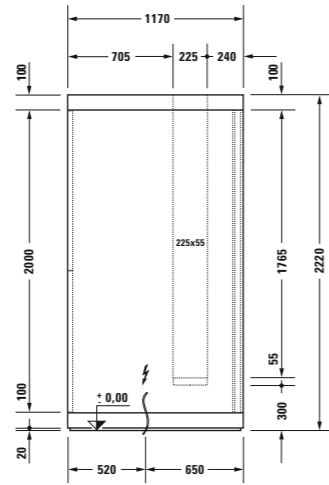


7508**
 ↔ + 16 mm
 Freestanding

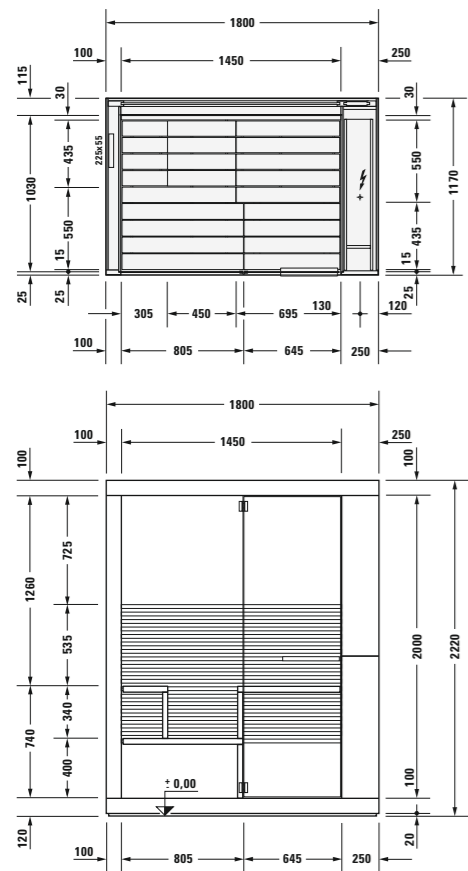
H Hot water point C Cold water point * Australia/New Zealand: Attached taps/shower values need to be removed and replaced by Australian/New Zealand items.



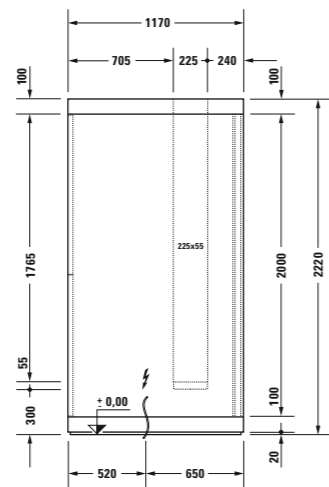
Inipi Sauna
 # 7501** 00 1 01 1000, 2350 x 1170 x 2220 mm
 Back-to-wall and corner version *
 # 7502** 00 1 01 1000, 2350 x 1186 x 2220 mm
 Freestanding



7502**
 ↔ + 16 mm
 Freestanding



Inipi Sauna
 # 7509** 00 1 01 1000, 1800 x 1170 x 2220 mm
 Back-to-wall and corner version *
 # 7510** 00 1 01 1000, 1800 x 1186 x 2220 mm
 Freestanding *



7510**
 ↔ + 16 mm
 Freestanding

H Hot water point
 C Cold water point
 ** Please add the furniture colour code at the 5th and 6th digit code, when ordering Inipi.
 * Australia/New Zealand: Attached taps/shower values need to be removed and replaced by Australian/New Zealand items.



The international breadth of the Duravit brand. Perhaps at a time when the world is getting smaller by the day, it may not be so unique to have production plants and showrooms around the globe. Nevertheless, we are more than a little proud to be able to welcome you to our showrooms in Manhattan, Paris or Shanghai. On the other hand, you don't actually have to be in a metropolis in order to step foot inside the Duravit world. The Duravit Design Center, located in Hornberg – at the heart of Germany's Black Forest – offers a very authentic Duravit experience. Designed by Philippe Starck, The Duravit Design Center showcases bathrooms, building history and design options over an area of more than 1,500 m². Another option is to visit Duravit's 600 m² showroom in Meissen, where you can find out everything you want to know about our bathroom and wellness products. Both showrooms have one thing in common: they offer you an opportunity to create your very own Duravit dream bathroom. And – you can even try out the products for yourself! Why not make an appointment?

DURAVIT ALL
 OVER THE WORLD:
 WELCOME TO OUR
 SHOWROOMS.

For further information:
www.duravit.co.uk / www.duravit.com.au

Duravit Showrooms from left to right

- Duravit Design Center: Werderstrasse 36, 78132 Hornberg
- Duravit Sanitärporzellan Meissen: Ziegelstrasse 3, 01662 Meissen
- Duravit NYC: 105 Madison Avenue, New York, NY 10016
- Salon d'Eau: 146, avenue Ledru-Rollin, 75011 Paris
- Duravit Cairo: Elmosheer Ahmed Ismail Street, Sheraton Heliopolis
- Duravit Tunisia: Boulevard de l'Environnement, Zarzouna 7021, Bizerte
- Not shown**
- Duravit UK Ltd, Unit 7, Stratus Park, Brudenell Drive, Brinklow, Milton Keynes
- Duravit Australia Pty Ltd, U3 19-21 Bourke Road, Alexandria, Sydney

