

the  
**sanitaryware**  
company





The Sanitaryware Company has been born out of 40-years market-leading washroom knowledge and expertise.

In terms of compliance, durability and design; our products will meet and exceed your requirements. We take pride in only working with high quality products and reputable business partners.

#### **Market-leading knowledge and service**

Expert product advice and guidance, with rapid response times is as integral to our business as the sanitaryware and brassware we supply.

**Our partners** We have sought and partnered with handpicked manufactures who share our vision for supplying a one-stop-shop solution of the highest quality to suit all sectors and budgets.

**Quality** Our products are sourced through established, respected and proven manufacturers.

**Service** We are dedicated to providing the highest level of service and professionalism to each and every project, from enquiry through to post installation.

**Delivery** All of our standard SanCeram products are available for collection within 24 hours and delivery within 48 hours. Please call our team for lead times on all other products.

**Warranties** Warranties covering our product range are:

- Ceramic products: 10 - 25years
- Brassware: 5 - 20 years
- Sensor taps: 2 years
- Showers: 2 years

For specific product warranties contact our team.

**Additional products** If you can't find what you are looking for, then please contact our friendly team who will be more than happy to help with your enquiry.

**Website** Our full range of high quality, yet cost effective products are available at the click of a button via our online shop at [www.theswc.co.uk](http://www.theswc.co.uk) Here you will also find Data Sheets, CAD Blocks and BIM for a wide range of our products.

If you have any questions or queries you can chat to one of our experienced team members via our online live chat facility.

## WCs

Section	Page
Close coupled	6
Back to wall	9
Wall hung	12
Special care	15
Schools	19
Flushing	21

## Urinals

Section	Page
Bowls	25
Flushing	29

## Basins

Section	Page
Wall hung special care	33
Wall hung	36
Troughs	41
Counter top	42
Vessel	44
Undermounted	47
Semi-recessed	47
Sinks	52

## Brassware

Section	Page
Healthcare	54
Sensor	55
Self-Closing	57
Monoblock	59
Tall Vessel Taps	62
Pillar Taps	63
Wall Mounted Taps	64
Bath Taps	65
Waste and Traps	66

## Showers and Baths

Section	Page
Shower Packs	69
Valves	70
Shower Kits	72
Shower Heads	74
Shower Trays	75
Shower Walls & Enclosures	76
Baths	79

## Doc M

Section	Page
Back to Wall WC Pack	82
Close Coupled WC Pack	84
Shower Packs	87
Grab Rails	88

## Healthcare

Section	Page
HBN Stainless Steel	91
HBN Ceramic & Brassware	94





WCs

SanCeram



Doc M compliant  
see pages  
77-86

**Chartham rimless 750**  
CHWC107

**Description**

Chartham rimless raised height (450mm to rim) universal access, open back close coupled WC pan, horizontal outlet, complete with 6/3ltr dual flush lever operated close coupled cistern. 750mm projection

**Features**

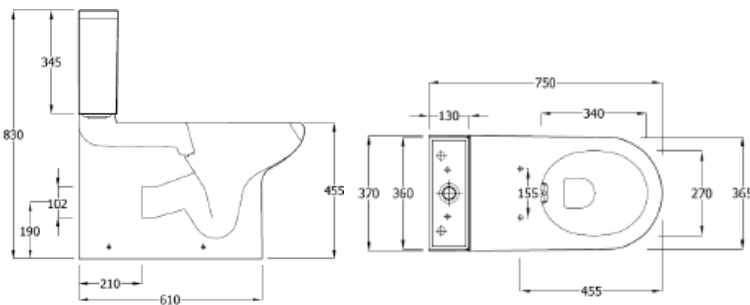
- Doc M compliant
- Ultra sleek modern design
- 480mm high with 750mm projection; seat sold separately
- Rimless flushing

**Seat options**

**CHWC112:** Chartham seat only – White

**CHWC113:** Chartham seat only – Blue

**CHWC114:** Chartham seat only – Dark Grey



SanCeram



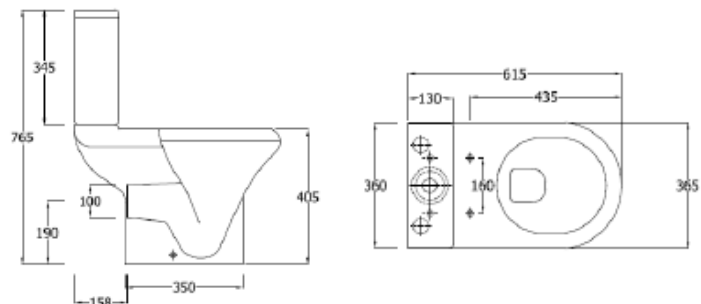
**Chartham std**  
CHWC108

**Description**

Chartham standard height (405mm to rim open back, close coupled WC pan, horizontal outlet, complete with 6/3ltr dual flush close coupled cistern and soft close seat and cover

**Features**

- Sleek modern open back design for ease of installation
- Standard height and projection
- Open rim flushing



## SanCeram



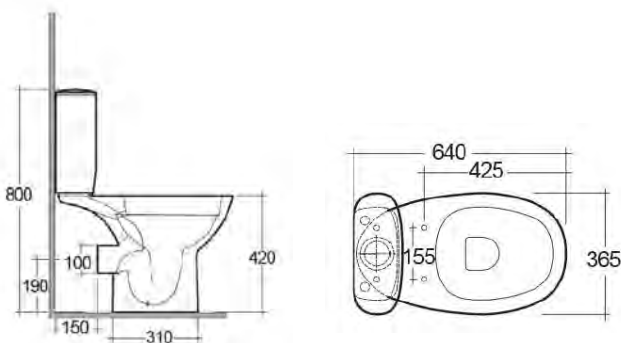
### Chartham Beyond Rimless CHWC123

#### Product description

Chartham Beyond rimless comfort height (420mm to rim) open access close coupled WC pan, horizontal outlet complete with 6/3ltr dual flush close coupled cistern and soft close slim seat and cover

#### Features

- Sleek easy clean design
- Comfort height
- Standard projection
- Rimless flushing



## SanCeram



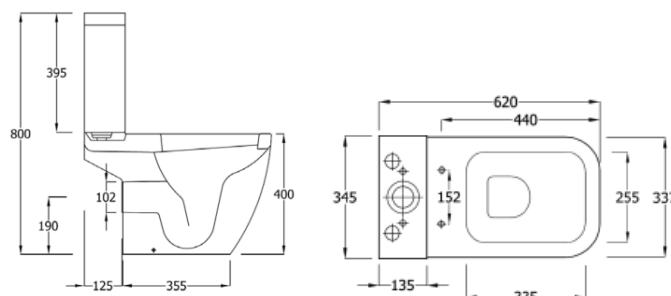
### Marden std MDWC103

#### Product description

Marden standard height (400mm to rim) close coupled standard height (400mm to rim) close coupled WC pan, horizontal outlet complete with 6/3ltr dual flush close coupled cistern and soft close seat and cover

#### Features

- Ergonomic modern styling
- Standard height and projection
- Box rim flushing



SanCeram



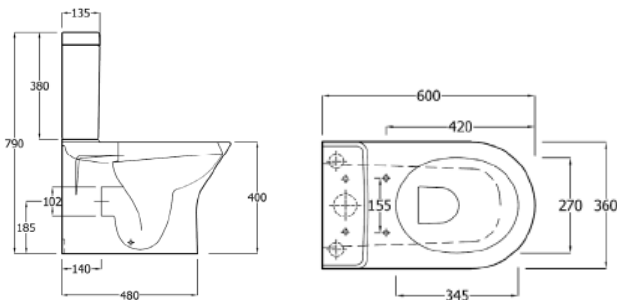
**Langley std**  
LLWC106

**Product description**

Langley standard height (400mm to rim) close coupled WC pan, horizontal outlet, 6/3ltr dual flush close coupled cistern and soft close seat and cover

**Features**

- Minimalistic design
- Standard height and projection
- Rimless flushing





## SanCeram



### Chartham std CHWC102

#### Description

Chartham standard height (400mm to rim) back to wall WC pan with horizontal outlet

#### Features

- Ultra sleek modern open back design
- Standard height and projection
- Box rim flushing

#### Seat options

**CHWC109:** Chartham standard seat & cover

**CHWC110:** Chartham soft close seat & cover

## SanCeram



### Chartham Beyond Rimless CHWC122

#### Description

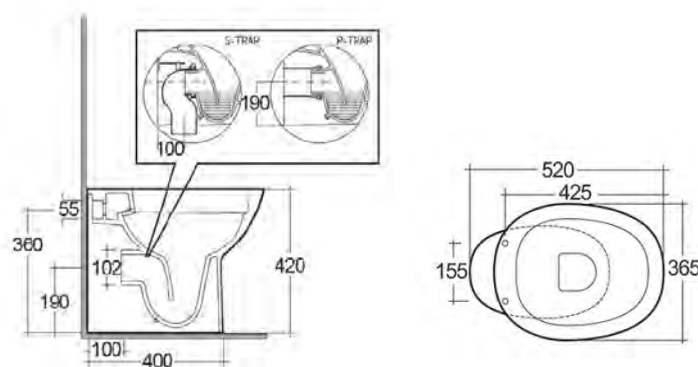
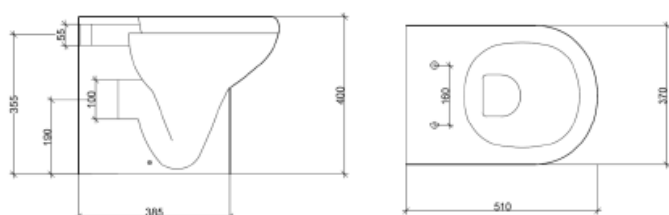
Chartham Beyond rimless comfort height (420mm to rim) back to wall WC pan with horizontal outlet

#### Features

- Sleek easy clean design
- Comfort height
- Standard projection
- Rimless flushing

#### Seat options

**CHWC124:** Chartham Beyond slim soft close seat & cover



SanCeram



**Marden std**  
MDWC102

**Description**

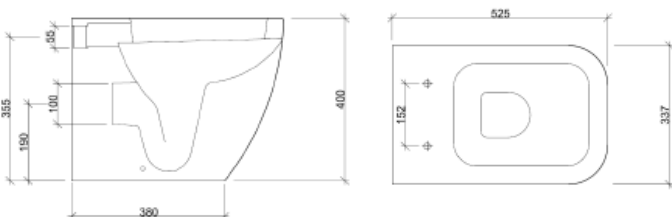
Marden standard height (400mm to rim) back to wall WC pan with horizontal outlet

**Features**

- Ergonomic modern styling
- Standard height and projection
- Box rim flushing

**Seat options**

**MDWC104:** Marden soft close seat & cover



SanCeram



**Langley std**  
LLWC102

**Description**

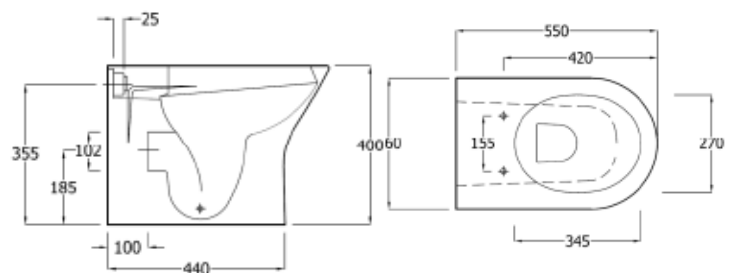
Langley standard height (400mm to rim) back to wall WC pan with horizontal outlet

**Features**

- Minimalistic design
- Standard height and projection
- Rimless flushing

**Seat options**

**LLWC105:** Langley soft close seat & cover



SanCeram



## Langley Curve std

LLWC122

### Description

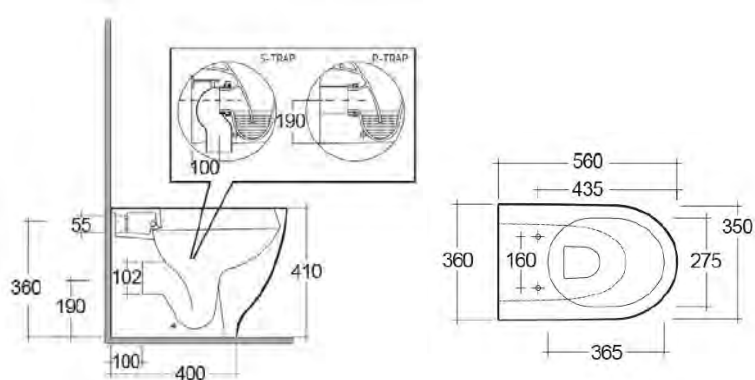
Langley Curve rimless standard height (410mm to rim) back to wall WC pan with horizontal outlet

### Features

- Modern and stylish design
- Standard height and projection
- Rimless flushing

### Seat options

**LLWC124:** Langley Curve slim soft close seat & cover

iSideal  
STANDARD

## Concept

E0509

### Description

Concept standard height (400mm to rim) back to wall WC pan, standard projection with horizontal outlet

### Features

- Smooth modern design
- Standard height and projection
- Aquablade flush

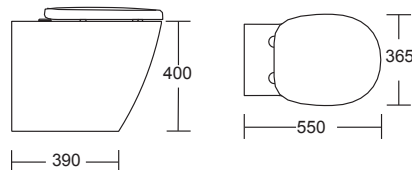
### Seat options

**E7917:** Concept soft close seat & cover

**E7918:** Concept standard close seat & cover

**E7726:** Concept slim soft close seat & cover

**E7725:** Concept slim standard close seat & cover



*Armitage  
Shanks*



## Sandringham 21

E8974

### Description

Sandringham standard height (400mm to rim) back to wall WC pan, standard projection with horizontal outlet

### Features

- Standard height and projection
- Open rim flushing

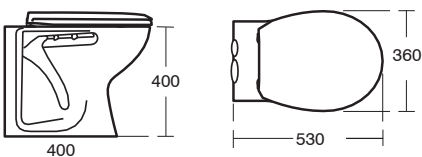
### Seat options

**E1316:** Sandringham standard close seat & cover

**S2985:** Sandringham soft close seat & cover

**E1317:** Sandringham seat & cover with metal hinges

**E1319:** Sandringham seat only with metal hinges



SanCeram



## Chartham std

CHWC101

### Description

Chartham wall hung standard projection WC pan with horizontal outlet

### Features

- Ultra sleek modern open back design
- Standard height and projection
- Box rim flushing

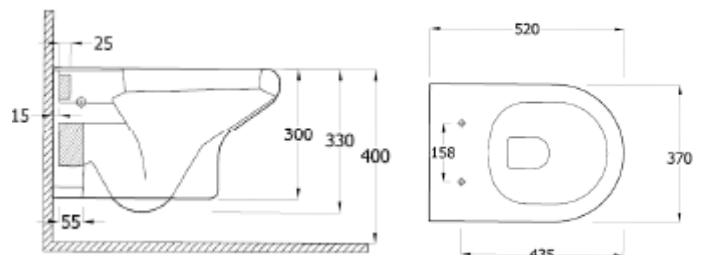
### Seat options

**CHWC109:** Chartham standard seat & cover

**CHWC110:** Chartham soft close seat & cover

### Essential item

- Support brackets and fixings ref. TSWC117





SanCeram



### Chartham Beyond Rimless CHWC121

#### Description

Chartham Beyond rimless wall hung standard projection WC pan with horizontal outlet

#### Features

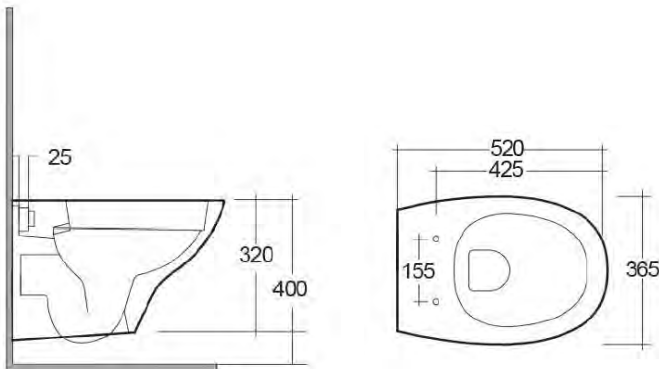
- Ultra sleek design
- Standard projection
- Rimless flushing

#### Seat options

**CHWC124:** Chartham Beyond slim soft close seat & cover

#### Essential item

- Support brackets and fixings ref. TSWC117



SanCeram



### Marden std MDWC101

#### Description

Marden wall hung standard projection WC pan with horizontal outlet

#### Features

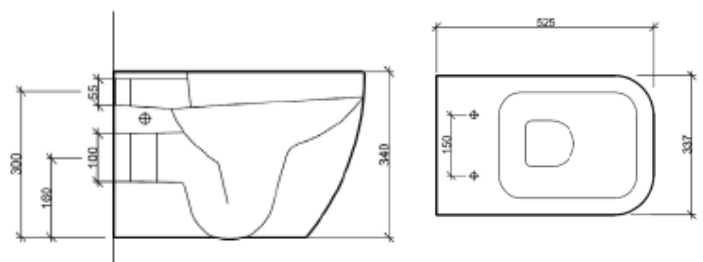
- Ergonomic modern styling
- Standard height and projection
- Box rim flushing

#### Seat options

**MDWC104:** Marden soft close seat & cover

#### Essential item

- Support brackets and fixings ref. TSWC117



SanCeram



**Langley std**  
LLWC101

**Description**

Langley wall hung standard projection WC pan with horizontal outlet

**Features**

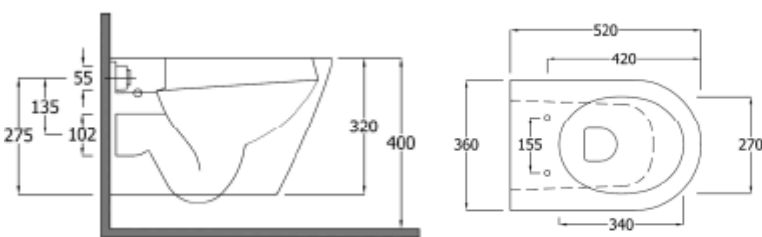
- Minimalistic design
- Standard height and projection
- Rimless flushing

**Seat options**

**LLWC105:** Langley soft close seat & cover

**Essential item**

- Support brackets and fixings ref. TSWC117



SanCeram



**Langley Curve Rimless**  
LLWC121

**Description**

Langley Curve rimless wall hung standard projection WC pan with horizontal outlet

**Features**

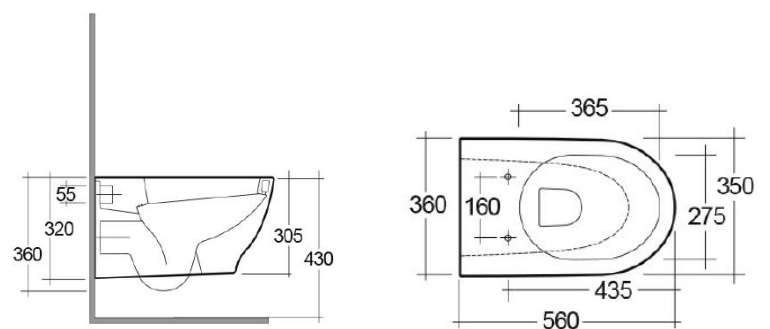
- Modern design
- Standard projection
- Rimless flushing
- Hidden fixations
- Easy one-person stallation

**Seat options**

**LLWC124:** Langley Curve slim soft close seat & cover

**Essential item**

- Support brackets and fixings ref. TSWC117





### Concept std

E0473

#### Description

Concept wall hung standard projection WC pan with horizontal outlet and Aquablade

#### Features

- Smooth modern design
- Standard height and projection
- Rimless Aquablade flush

#### Seat options

**E7917:** Concept soft close seat & cover

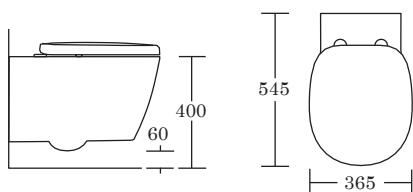
**E7918:** Concept standard close seat & cover

**E7726:** Concept slim soft close seat & cover

**E7725:** Concept slim standard close seat & cover

#### Essential item

- Support brackets and fixings ref. E0060



### Sandringham std

V3910

#### Description

Sandringham wall mounted WC pan with horizontal outlet

#### Features

- Improved design and functionality
- Standard height and projection
- Open rim flushing

#### Seat options

**E1316:** Sandringham standard close seat & cover

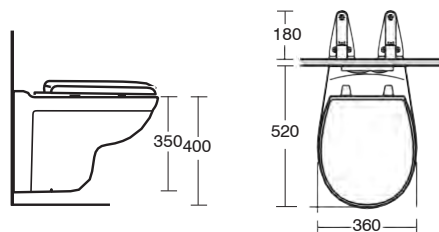
**S2985:** Sandringham soft close seat & cover

**E1317:** Sandringham seat & cover with metal hinges

**E1319:** Sandringham seat only with metal hinges

#### Essential item

- Support brackets and fixings ref. E0060



## SanCeram



Doc M compliant  
see pages 77-86

HBN compliant  
see pages 87-90

### Chartham rimless 750 / 700 CHWC106 / CHWC105

#### Description

Chartham rimless raised height (450mm to rim) back to wall WC pan, extended projection with unique fully cast extended horizontal outlet and flushpipe inlet

#### Features

- HBN/ HTM compliant
- Doc M compliant
- 480mm high with extended projection
- Rimless flushing

#### Seat options

**CHWC111:** Chartham soft close seat and cover

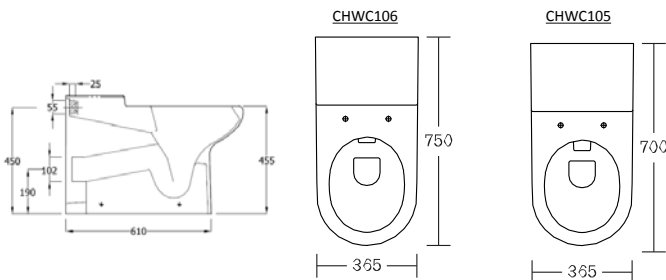
**CHWC112:** Chartham seat only – White

**CHWC113:** Chartham seat only – Blue

**CHWC114:** Chartham seat only – Dark Grey

#### Product options

- **CHWC105:** 700mm projection, HBN compliant
- **CHWC106:** 750mm projection, Doc M compliant



## SanCeram



HBN compliant  
see pages 87-90

### Chartham rimless 480 / 450 CHWC104 / CHWC103

#### Description

Chartham rimless (450/425mm to rim) back to wall WC pan, standard projection with horizontal outlet for ducts

#### Features

- 450mm/480mm high with standard projection
- Rimless flushing

#### Seat options

**CHWC111:** Chartham soft close seat and cover

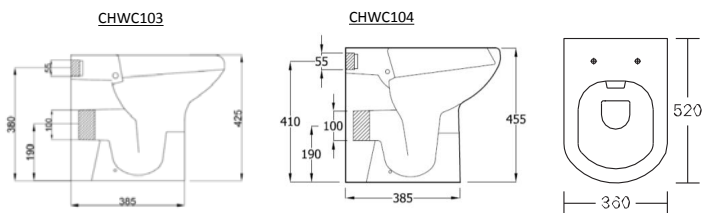
**CHWC112:** Chartham seat only – White

**CHWC113:** Chartham seat only – Blue

**CHWC114:** Chartham seat only – Dark Grey

#### Product options

- **CHWC103:** Comfort height
- **CHWC104:** Ambulant height, HBN & Part M compliant





SanCeram



HBN  
compliant  
see pages  
87-90

## Chartham wall hung rimless 700 CHWC117

### Description

Chartham rimless wall hung 700mm projection WC pan with horizontal outlet

### Features

- HBN/HTM compliant
- Ultra-sleek easy clean design
- Extended 700mm projection
- Rimless flushing

### Seat options

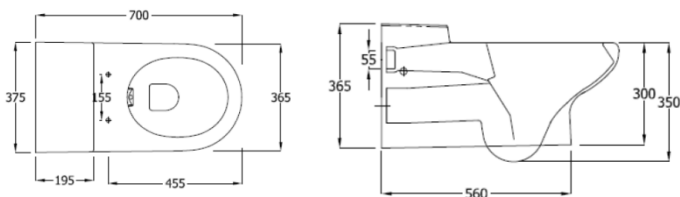
**CHWC112:** Chartham seat only – White

**CHWC113:** Chartham seat only – Blue

**CHWC114:** Chartham seat only – Dark Grey

### Essential item

- Support brackets and fixings ref. TSWC117

Armitage  
Shanks

Doc M  
compliant  
see pages  
77-86

HBN  
compliant  
see pages  
87-90

## Contour 21+ rimless 750 / 700 S0437 / S0438

### Description

Contour 21+ rimless raised height (450mm to rim) back to wall WC pan, 750/700mm projection with horizontal outlet

### Features

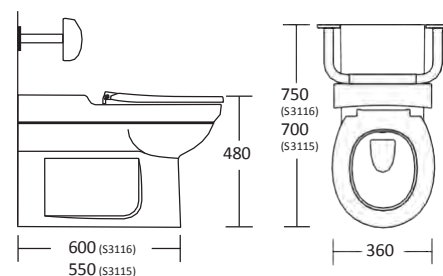
- HBN and Doc M compliant pan
- Rimless flushing

### Seat option

**S4066:** Contour 21 seat only with retaining buffers

### Product options

- **S0437:** Contour 21+ 700mm projection, HBN compliant WC with Smartguard antimicrobial glaze
- **S0438:** Contour 21+ 750mm projection, HBN compliant WC with Smartguard antimicrobial glaze



## SanCeram rimless technology

Rimless WC pans from SanCeram deliver ultimate hygiene control to a level suitable for use in healthcare environments.

This technology is born out of a drive to develop and improve upon advanced water technologies in order to deliver the best possible performance and function whilst remaining highly competitive on price.

### Water efficiency

Pair the SanCeram rimless range of WC pans with the specifically chosen pneumatic cisterns from Thomas Dudley for advanced water savings.

These cisterns feature convertible flush volumes which, when paired with a SanCeram rimless pan, can use as little as 4 litres of water for a full flush and 2.5 litres for a half flush. These options can save around a third of your water usage, return significant cost and earn you BREEAM points.

### Easy cleaning

The contoured bowl has been designed for easy cleaning. With no rim, you can effectively clean the whole surface of the toilet giving you a more hygienic result.



### Specialist environments

The SanCeram rimless range of WC pans includes products designed to meet the requirements of specialist markets such as healthcare environments.

Where HBN compatible products are required, the SanCeram rimless range of WCs provides solutions that meet both the WC H and WC HD requirements.



Look for the HBN logo, shown next to compliant products in this brochure, for reassurance that these products meet the standards required for use in your specialised healthcare environment.

- A** No ledges or rim and a specialised design to ensure water is fully projected round to the front of the bowl
- B** Water drops down into the pan to cover the entire surface making it fully compliant with the Water Regulations Advisory Scheme (WRAS)  
The flush performance of the pans has been tested to the regulators specification with our recommended Thomas Dudley cisterns
- C** The pan and flush outlet design ensure that the flush volume offers a complete bowl clean, without the risk of it leaving the pan

Armitage  
Shanks



HBN  
compliant  
see pages  
87-90

### Contour 21+ rimless 440 / 480 S0440 / S0439HY

#### Description

Contour 21+ rimless back to wall WC pan, standard projection with horizontal outlet

#### Features

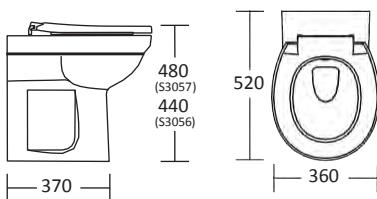
- HBN / HTM compliant option
- Doc M compliant option
- Standard projection
- Rimless flushing

#### Seat option

**S4066:** Contour 21+ seat only with retaining buffers

#### Product options

- **S0439:** Contour 21+ standard height
- **S0440:** Contour 21+ ambulant height with Smartguard antimicrobial glaze



Armitage  
Shanks



HBN  
compliant  
see pages  
87-90

### Contour 21+ rimless std S0443

#### Description

Contour 21+ rimless wall hung standard projection WC pan with horizontal outlet

#### Features

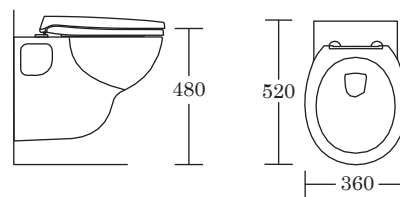
- HBN / HTM compliant pan
- DDA compliant
- Rimless flushing

#### Seat option

**S4066:** Contour 21 seat only with retaining buffers

#### Essential item

- Support brackets and fixings ref. S9139



SanCeram



### Shenley children's 350 SHWC101

#### Description

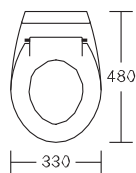
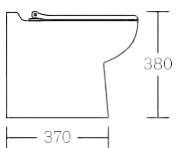
Shenley children's 350mm high back to wall WC pan with horizontal outlet

#### Features

- Contemporary design
- 350mm high with 480mm projection
- Box rim flushing

#### Seat option

**SHWC102:** Shenley seat only - White





Armitage  
Shanks



### Contour 21 schools 305

S3046

#### Description

Contour 21 schools 305mm high, back to wall WC pan with horizontal outlet

#### Features

- Available as a back to wall or close coupled option
- 305mm high and standard projection
- Open rim flushing

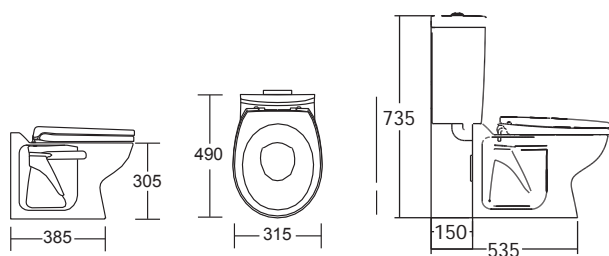
#### Seat options

**S4057:** Contour 21 seat only for 305mm high WC pan

**S4056:** Contour 21 seat & cover for 305mm high WC pan

#### Close coupled cistern option

**S3064:** Contour 21 schools close coupled cistern 6 litre push button



Armitage  
Shanks



### Contour 21 schools 355

S3047

#### Description

Contour 21 schools 355mm high, back to wall WC pan with horizontal outlet

#### Features

- Available as a back to wall or close coupled option
- 355mm high and standard projection
- Open rim flushing

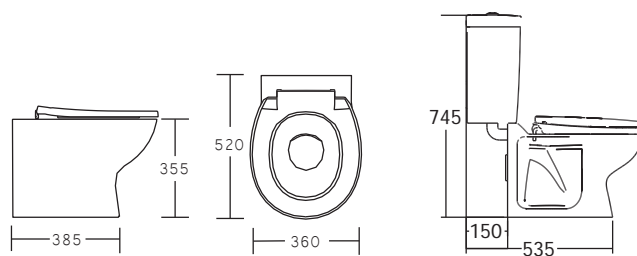
#### Seat options

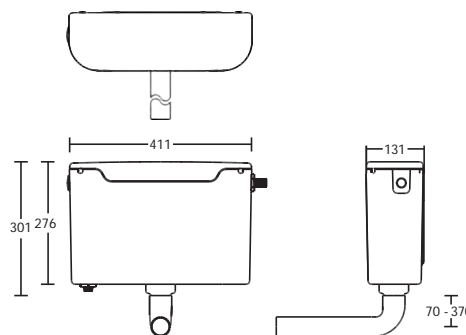
**S4059:** Contour 21 seat only for 355mm high WC pan

**S4058:** Contour 21 seat & cover for 355mm high WC pan

#### Close coupled cistern option

**S3064:** Contour 21 schools close coupled cistern 6 litre push button





## Miniflo Concealed Cistern

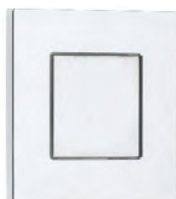
### Description

Miniflo concealed pneumatically operated cistern supplied with a choice of flushing controls

### Features

- 6/4ltr dual flush can be easily converted to 5/3 or 4/2.6ltr dual flush with supplied baffles
- 6 litre single flush can be easily converted to 5 or 3ltrs flushing
- Push-fit flush pipe with a one piece hanging bracket
- WRAS approved internals
- H276mm x D131mm x W411mm

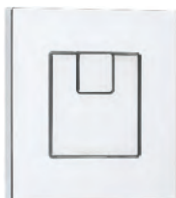
### Product options



Miniflo cistern with single flush button, our ultra modern standard push button selection where single flush is required (ref. CIST103)



Miniflo cistern with metal vandal resistant push button. Ideal for high use or high risk applications (ref. CIST106)



Miniflo cistern with dual flush button, our ultra modern standard push button selection where dual flush is required (ref. CIST104)



Miniflo cistern with oyster push plate. Ideal in high end projects (ref. CIST107)



Miniflo cistern with palm push button. Ideal for use in schools or by the less able (ref. CIST105)



Miniflo cistern with battery powered sensor flush. Available as:  
Single ref. CIST108  
Dual flush ref. CIST109  
Transformer to convert cistern to mains powered ref. CIST110



## Mirage Concealed Lever Cistern

### Description

Mirage concealed lever dual flush cistern with a choice of lever designs

### Features

- Lever operated concealed cistern with water saving dual flush offering an effective flush volume of 4.5ltr from a 6/3ltr dual flush system
- Side inlet supply for ease of concealed installation
- Lever spindle can be cut to length to suit installation depths between 120mm and 145mm and have secure stops to prevent lever being turned backwards
- H 285mm x D 146mm x W 505mm

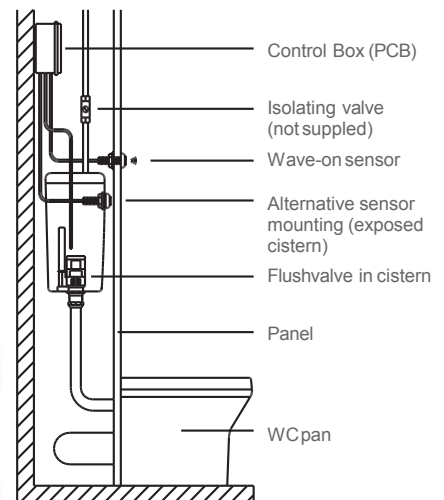
### Product options



Mirage cistern with standard style cistern lever (ref. CIST101)



Mirage cistern with dimple style cistern lever. Suitable for operation by closed fist and approved for use in our SanCeram Doc M packs (ref. CIST102)



## WC flushing control system

### Description

The DVS no-touch flushing system is an electronically operated drop valve which replaces the traditional syphon and delivers a measured volume of water

### Features

- WC flushvalve with wave on sensor (ref. WC03-002) and concealed plastic cistern (ref. WC02-011)
- 4.5ltr single flush
- Vandal proof
- Purge facility

### Essential items

- WC flushvalve kit with wave on sensor ref. WC03-002
- Concealed plastic cistern kit ref. WC02-011

### Product option

- WC flushvalve kit with tactile switch ref. WC03-028



## WC In Wall Frame with Concealed Pneumatic Dual Flush Cistern

### Description

WC frame for wall hung WC pans with dual flush square button cistern

### Features

- Wall Hung WC support frame load tested to 400kg
- Effective flush volume of 4.5ltr from a 6/4ltr dual flush
- 6/4ltr flush can be quickly and easily converted to 5/3 or 4/2.6ltr dual flush before or after installation
- Frame height adjustable from 820mm – 1120mm
- Frame legs adjust to offer WC pan height fixing flexibility
- Wall & floor fixing brackets can be fixed through 180° & 360° respectively to aid installation flexibility
- Flushbend & WC pan connector clamps.  
H 285mm x D 146mm x W 505mm
- Air tubes push button to be installed up to 750mm away from cistern
- Compatible with furniture, tiles, partitions and walls

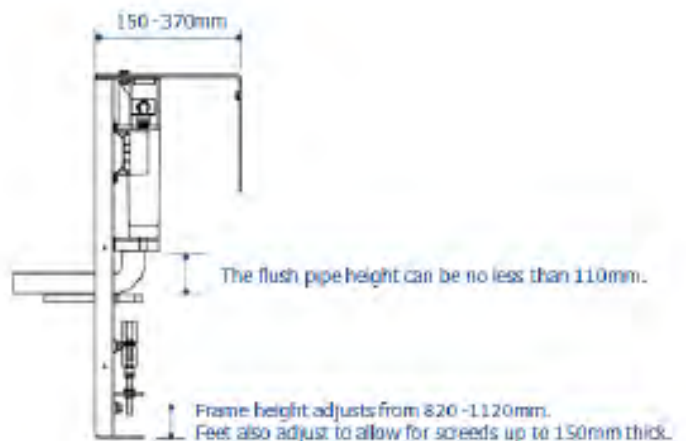
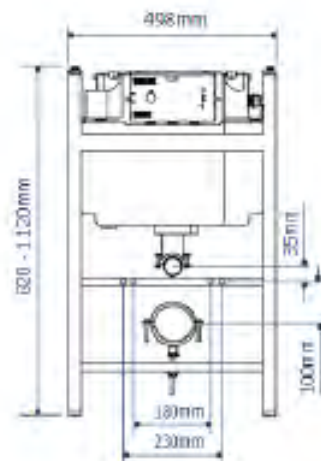
### Product options



WC frame & cistern with square style dual flush button (ref. CIST112)



WC frame & cistern with Oyster style dual flush plate (ref. CIST113)



# Urinals





## SanCeram



### Chartham

CHUR104

#### Description

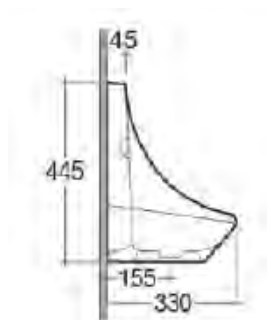
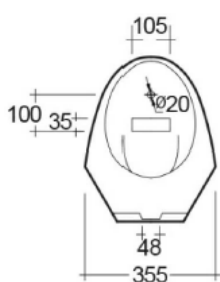
Chartham exposed trap urinal with complete clean bowl design for use with either concealed or exposed cistern

#### Features

- Easy clean design
- H 445mm x D 330mm x W 355mm
- Exposed trap
- Top inlet and back inlet spreaders available

#### Essential items

- Top inlet spreader ref. CHUR105 or Back inlet spreader ref. MDUR102
- Fixings ref. CHUR106



## SanCeram



### Urinal Separator

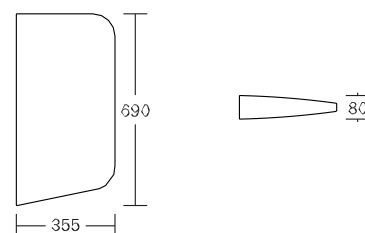
CHUR107

#### Description

Slim urinal separator, unbranded with secure concealed hanger and fixings

#### Features

- Minimalistic design
- H 690mm x D 355mm x W 80mm
- Unbranded complete with fixings



SanCeram



HBN  
compliant  
see pages  
87-90

### Marden Urinal Bowl MDUR103

#### Description

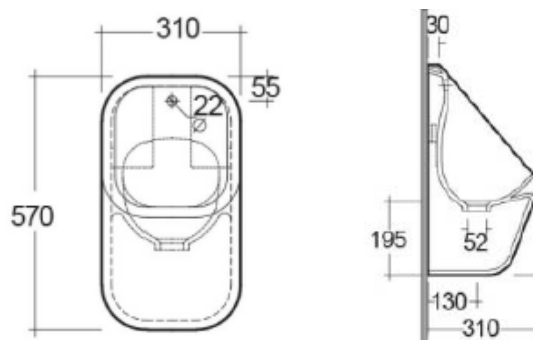
Marden concealed trap urinal with uniquely designed spreader for complete clean, supplied with secure concealed hangers and fixings. For use with concealed cistern

#### Features

- HBN / HTM compliant urinal bowl
- H 560mm x D 300mm x W 310mm
- Concealed trap
- Back inlet spreader

#### Essential item

- Back inlet spreader ref. MDUR102



SanCeram



### Marden Waterless MDUR103

#### Description

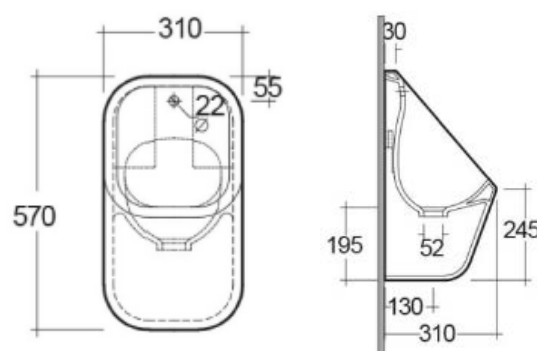
Marden waterless urinal

#### Features

- Easy clean design
- H 560mm x D 300mm x W 310mm
- Concealed trap, waterless

#### Additional items

- Individual waterless cartridge ref. URIN118
- Waterless cartridge, pack of 4 ref. URIN119
- Waterless cartridge pack of 12 ref. URIN120
- Waterless cartridge pack of 24 ref. URIN121
- Waterless cartridge pack of 32 ref. URIN122



SanCeram



HBN  
compliant  
see pages  
87-90

## Langley LLUR101

### Description

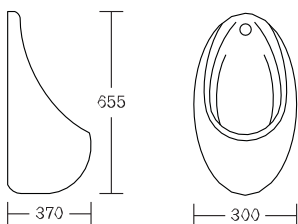
Langley concealed trap urinal for use with concealed cistern

### Features

- HBN compliant urinal bowl
- H 655mm x D 300mm x W 370mm
- Concealed trap
- Back inlet spreader

### Essential items

- Back inlet spreader ref. LLUR102
- Fixings ref. LLUR103



SanCeram



## Langley Waterless Urinal LLUR104

### Description

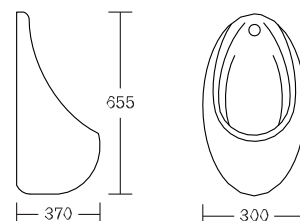
Langley waterless concealed trap urinal

### Features

- H 655mm x D 300mm x W 370mm
- Concealed trap
- Waterless

### Additional items

- Individual waterless cartridge ref. URIN118
- Waterless cartridge, pack of 4 ref. URIN119
- Waterless cartridge pack of 12 ref. URIN120
- Waterless cartridge pack of 24 ref. URIN121
- Waterless cartridge pack of 32 ref. URIN122



Armitage  
Shanks



## Sanura S6100

### Description

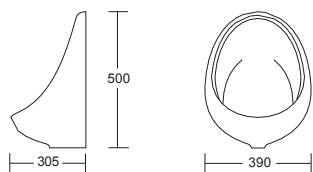
Sanura urinal bowl 500mm with top inlet and exposed bottle trap

### Features

- Easy clean design
- H 500mm x D 305mm x W 390mm
- Exposed trap
- Top inlet or Back inlet spreaders available

### Essential items

- Top inlet spreader ref. S6285 or Back inlet spreader ref. S6286
- Fixings ref. S9276



Armitage  
Shanks



HBN  
compliant  
see pages  
87-90

## Contour S6110

### Description

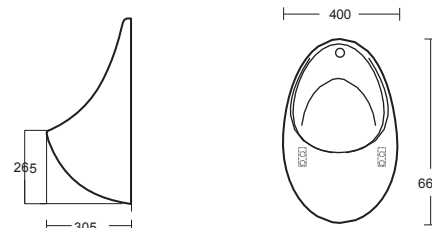
Contour urinal bowl 665mm with concealed trap

### Features

- HBN / HTM compliant urinal bowl
- H 665mm x D 305mm x W 400mm
- Concealed trap
- Back inlet spreader

### Essential items

- Back inlet spreader ref. S6286
- Fixings ref. S9275





## Concealed urinal auto cistern

### Description

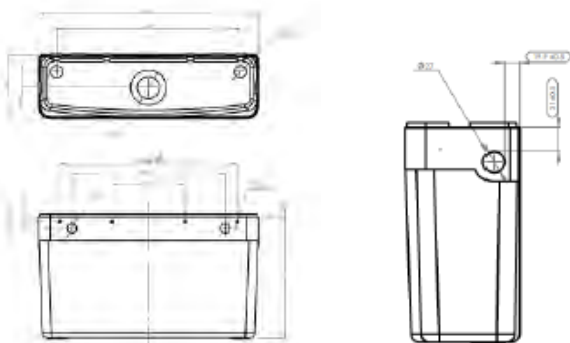
Urinal cistern with auto syphon and petcock supply for use with urinals in concealed washrooms

### Features

- Constructed from high impact polystyrene
- Supplied with petcock and autosyphon
- For use with back inlet spreaders
- Outlet centre 73mm from wall
- Supplied with one piece hanging bracket
- H 285mm x D 146mm x W 505mm

### Product options

- 4.5ltr (ref. URIN101) for 1 or 2 urinal bowls
- 9.0ltr (ref. URIN102) for 3 urinal bowls
- 13.5ltr (ref. URIN103) for 4 or 5 urinal bowls



## Electroflo individual urinal sensor

### Description

Individual urinal sensor and solenoid valve kit to provide direct urinal flushing control without a cistern

- 15mm DC pipe interrupter required when flushing from mains water

### Features

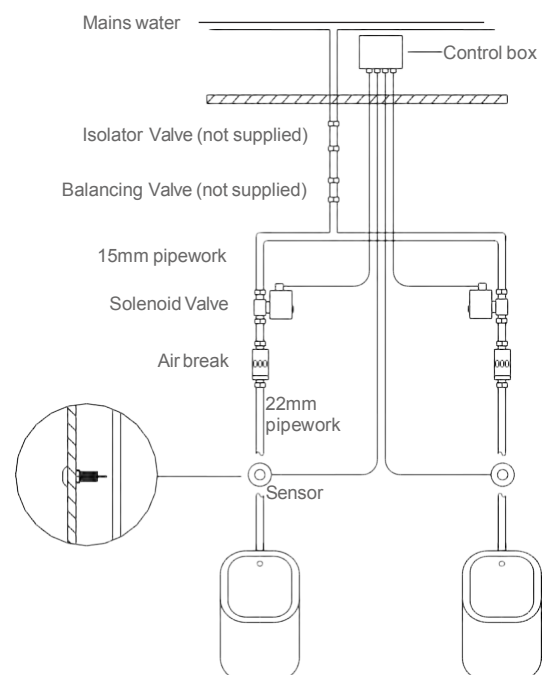
- Infra-red sensor flushes individual urinal after use
- Sensor sits neatly above the urinal bowl & can be easily installed into partitioning material & tiles
- Flushing is activated when the user has moved away
- Adjustable flushing time between 3-20 seconds
- Delivers as little as 1 litre of water per flush
- 24 hour hygiene flush
- Sensor has a range of 550mm
- Chrome plated sensor surround

### Product options

- Battery powered ref. URIN108 or Mains powered ref. URIN109

### Essential items

- Air break back flow preventer ref. URIN110







## Dudley D Exposed Auto Urinal Cistern

### Description

Exposed plastic urinal cistern with auto valve and petcock

### Product options

- 4.5ltr ref. URIN104
- 9.0ltr ref. URIN105

### Features

- Constructed from high impact polystyrene
- Supplied with petcock and auto syphon
- Lightweight product with superior strength for anti-vandal applications
- Long lasting high-gloss finish
- One piece hanging bracket supplied
- H 295mm x D 186mm x W 498mm



## Tri-shell Exposed Auto Urinal Cistern

### Description

Heavy duty exposed Tri-shell urinal cistern with auto valve and petcock

### Product options

- 4.5ltr ref. URIN106
- 9.0ltr ref. URIN107

### Features

- Sandwich foam moulded construction
- Exceptionally strong lightweight material for anti-vandal applications
- Outlet centre 90mm from wall
- Long lasting high-gloss finish
- One piece hanging bracket supplied
- H 516mm x D 188mm x W 287mm



## Multiflo Urinal Cistern Room Sensor

### Description

Urinal sensor to control the filling of auto urinals. Supplied with solenoid valve

### Product options

- Battery powered ref. URIN111
- Mains powered ref. URIN112

### Features

- Electronic urinal flushing system complete with an adjustable flushing time of 15-60 minute intervals
- Ceiling or wall mountable and can be retrofitted or used with new installations
- WRAS approved solenoid valve



## Stainless Steel Exposed Urinal Flushpipes

### Description

Stainless steel sparge pipes to suit Thomas Dudley exposed cisterns and SanCeram exposed trap urinal

### Product options

- Single station ref. URIN113
- Two station ref. URIN114
- Three station ref. URIN115

### Features

- Stainless steel construction complete with pipe supports and wall fixings to provide adequate bowl separation
- Push-fit flow divider for improved appearance and ease of installation
- All pipes pre-shaped and cut to meet cistern & spreader



## Kinetic urinal sensor flush control

### Description

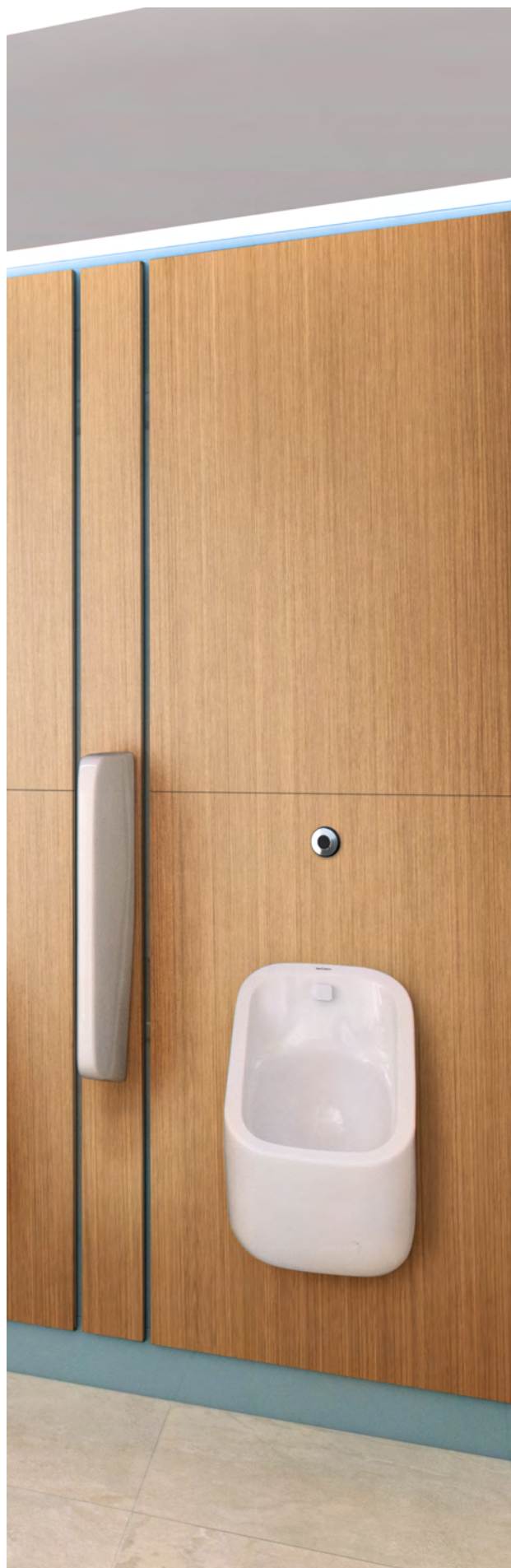
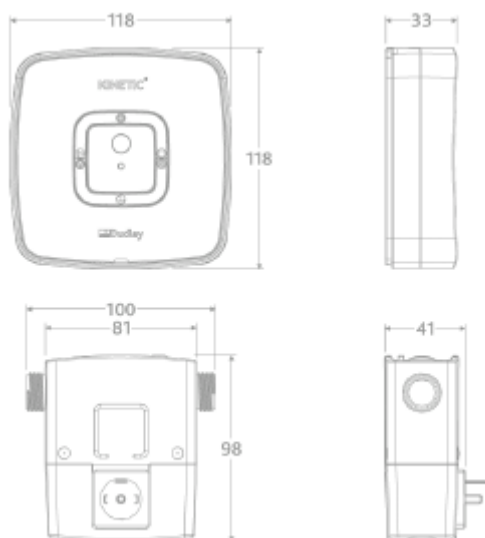
Kinetic intelligent urinal flushing control kit – mains / battery powered

### Features

- Infra-red sensor ideal for use with automatic cisterns & multiple station urinals
- Sensor detects user movement in the washroom and fills the cistern to flush after a pre-set time based on the traffic in the area
- Sensor detects up to 5m
- Quick and easy configuration via user friendly set up wizard in 5 minutes
- Fast fill of the cistern to capacity reduces scale build up
- Hygiene mode delivers a flush every 60 mins (max) or 12 hours if no users detected
- Economy mode delivers a flush every 40 mins (max) or 24 hours if no users detected
- Can be installed into pipework, walls or ceiling
- Control box can be installed up to 1m away from the solenoid valve
- Fitted with a 6L/min flow restrictor
- Tamper proof design

### Product options

- Kinetic flushing control, White Ref. URIN123
- Kinetic flushing control, Grey Ref. URIN124





# Basins



SanCeram



HBN  
compliant  
see pages  
87-90

Doc M  
compliant  
see pages  
77-86

## Chartham 380

CHWB101/ 102

### Description

Chartham 380mm wash basin, right hand taphole, no overflow or chain hole

### Features

- HBN / HTM compliant
- Doc M compliant
- No overflow
- Bottom outlet for ease of maintenance
- Supplied with wall fixing kit

### Product options

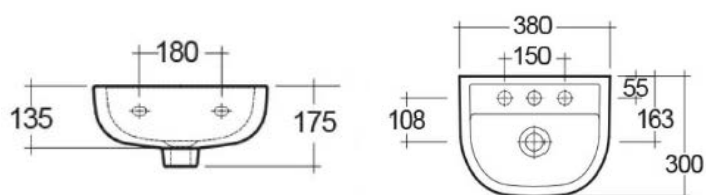
- Left hand taphole, no overflow or chain hole ref. CHWB101
- Right hand taphole, no overflow or chain hole ref. CHWB102

### Waste options

- 1 1/4" strainer waste, un-slotted ref. TSWC102
- 1 1/4" swivel waste, un-slotted ref. TSWC104
- 1 1/4" click clack waste, un-slotted ref. TSWC108

### Trap options

- 1 1/4" resealing plastic bottle trap ref. A10R
- 1 1/4" metal bottle trap ref. TSWC112
- 1 1/4" modern metal bottle trap ref. TSWC114



SanCeram



HBN  
compliant  
see pages  
87-90

## Chartham 500

CHWB105

### Description

Chartham 500mm wash basin, right hand taphole, no overflow or chain hole

### Features

- HBN / HTM compliant
- No overflow
- Bottom outlet for ease of maintenance
- Supplied with wall fixing kit

### Product options

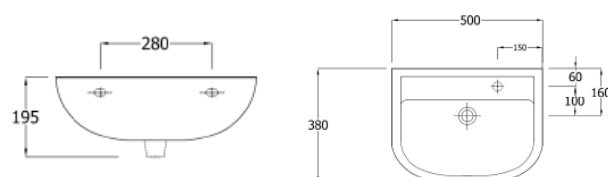
- Right hand taphole, no overflow or chain hole ref. CHWB105

### Waste options

- 1 1/4" strainer waste, un-slotted ref. TSWC102
- 1 1/4" swivel waste, un-slotted ref. TSWC104
- 1 1/4" click clack waste, un-slotted ref. TSWC108

### Trap options

- 1 1/4" resealing plastic bottle trap ref. A10R
- 1 1/4" metal bottle trap ref. TSWC112
- 1 1/4" modern metal bottle trap ref. TSWC114



SanCeram



**HBN compliant**  
see pages 87-90

**Chartham 500 BO**  
CHWB107

**Description**

Chartham 500mm back outlet basin, no tapholes, no overflow or chain hole

**Features**

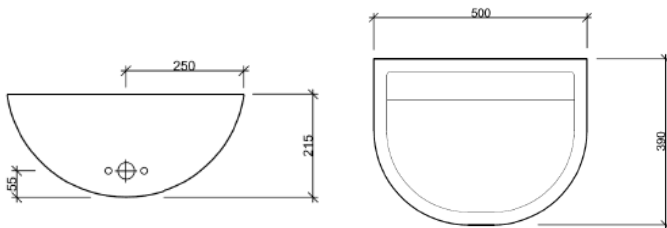
- HBN / HTM compliant
- No taphole or overflow
- Back outlet for fully concealed pipework and fixings

**Waste option**

- Waste adaptor & fixing kit ref. TSWC110

**Trap option**

- 1 ¼" resealing plastic bottle trap ref. A10R



Armitage  
Shanks



**HBN compliant**  
see pages 87-90

**Doc M compliant**  
see pages 77-86

**Contour 21 370**  
S2473 / S2474

**Description**

Contour 21 370mm wash basin, left hand taphole, no overflow or chain hole

**Features**

- HBN / HTM Doc M compliant
- Doc M compliant
- No overflow
- Bottom outlet for ease of maintenance

**Product options**

- Left hand taphole, no overflow or chain hole ref. S2473
- Right hand taphole, no overflow or chain hole ref. S2474

**Waste option**

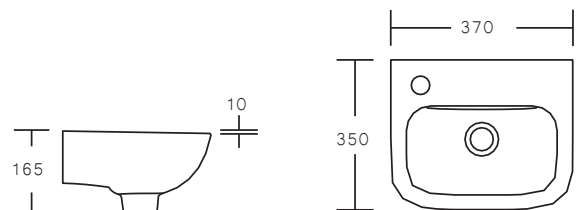
- 1 ¼" strainer waste, un-slotted ref. S8720

**Trap option**

- 1 ¼" resealing plastic bottle trap ref. S8910

**Essential item**

- Wall fixings ref. S9110





Armitage  
Shanks

**HBN  
compliant**  
see pages  
87-90

## Portman 21 500

S2254 / S2253

### Description

Portman 21 500mm wash basin, right hand taphole, no overflow or chain hole

### Features

- HBN / HTM compliant
- No overflow
- Bottom outlet for ease of maintenance

### Product options

- Two tapholes, no overflow or chain hole ref. S2253
- Right hand taphole, no overflow or chain hole ref. S2254

### Waste options

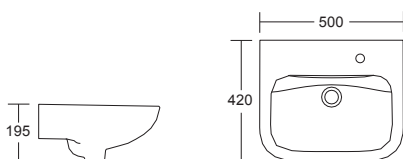
- 1 ¼" strainer waste, un-slotted ref. S8720
- 1 ¼" bead chain & plug waste, un-slotted ref. S8715
- 1 ¼" swivel plug waste, un-slotted ref. S8734

### Trap options

- 1 ¼" resealing plastic bottle trap ref. S8910
- 1 ¼" metal bottle trap ref. S8900

### Essential items

- Wall fixings ref. E0157
- IPS panel fixing set ref. E0062

Armitage  
Shanks

**HBN  
compliant**  
see pages  
87-90

## Contour 21 / 21+ Back Outlet

S2154 / S2155 / S0430

### Description

Contour 21 500mm back outlet basin, no tapholes, no overflow or chain hole

### Features

- HBN / HTM compliant
- No taphole or overflow
- Back outlet for fully concealed pipework and fixings

### Product options

- 500mm no tap hole, back outlet basin ref. S215401
- 600mm no tap hole, back outlet basin ref. S215501
- Contour 21+, 500mm no tap hole back outlet basin, ref. S0430HY

### Waste options

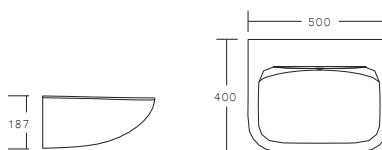
- 1 ¼" waste outlet connector ref. S8750
- 1 ¼" Contour 21+ waste kit, ref. S0386

### Trap options

- 1 ¼" resealing plastic bottle trap ref. S8920

### Essential items

- Concealed fixing support bracket ref. S9112
- Contour 21+ basin fixation kit, ref. S0388



SanCeram



### Chartham 450

CHWB104 / CHWB103

#### Description

Chartham 450mm wash basin, centre taphole with overflow

#### Features

- Ultra sleek modern design
- Centre and two taphole options with an overflow
- Bottom outlet for ease of maintenance

#### Product options

- Two taphole, overflow and chain hole ref. CHWB103
- Central taphole and overflow ref. CHWB104

#### Waste options

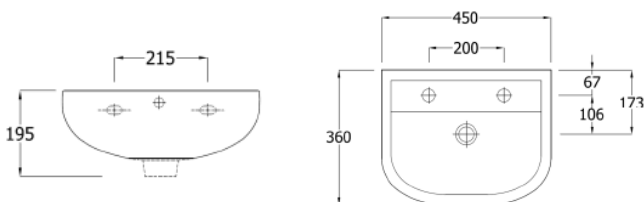
- 1 ¼" strainer waste, slotted ref. TSWC101
- 1 ¼" swivel waste, slotted ref. TSWC103
- 1 ¼" plug & chain waste, slotted ref. TSWC105
- 1 ¼" click clack waste, slotted ref. TSWC107

#### Trap options

- 1 ¼" resealing plastic bottle trap ref. A10R
- 1 ¼" metal bottle trap ref. TSWC112
- 1 ¼" modern metal bottle trap ref. TSWC114

#### Pedestal options

- Full pedestal ref. CHWB110
- Half pedestal ref. CHWB111



SanCeram



### Marden 420

MDWB101

#### Description

Marden 420mm wash basin, centre taphole with overflow

#### Features

- Ergonomic modern styling
- Centre taphole with an overflow
- Bottom outlet for ease of maintenance

#### Waste options

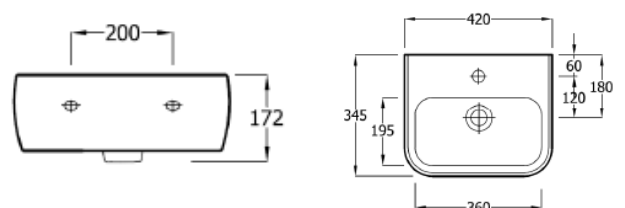
- 1 ¼" strainer waste, slotted ref. TSWC101
- 1 ¼" swivel waste, slotted ref. TSWC103
- 1 ¼" click clack waste, slotted ref. TSWC107

#### Trap options

- 1 ¼" resealing plastic bottle trap ref. A10R
- 1 ¼" metal bottle trap ref. TSWC112
- 1 ¼" modern metal bottle trap ref. TSWC114

#### Pedestal options

- Half pedestal ref. MDWB109



SanCeram



## Marden 525

MDWB103

### Description

Marden 525mm wash basin, centre taphole with overflow

### Features

- Ergonomic modern styling
- Centre taphole with an overflow
- Bottom outlet for ease of maintenance

### Waste options

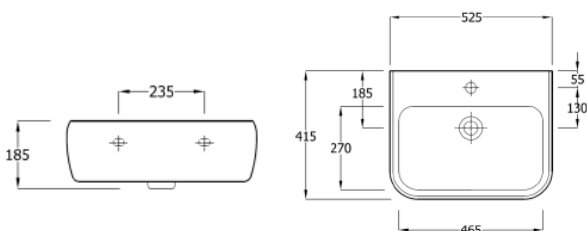
- 1 1/4" strainer waste, slotted ref. TSWC101
- 1 1/4" swivel waste, slotted ref. TSWC103
- 1 1/4" click clack waste, slotted ref. TSWC107

### Trap options

- 1 1/4" resealing plastic bottle trap ref. A10R
- 1 1/4" metal bottle trap ref. TSWC112
- 1 1/4" modern metal bottle trap ref. TSWC114

### Pedestal options

- Full pedestal ref. MDWB108



SanCeram



## Langley 400

LLWB101

### Description

Langley 400mm wash basin, centre taphole with overflow

### Features

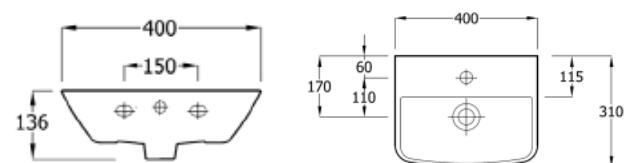
- Minimalistic design
- Centre taphole only with an overflow
- Bottom outlet for ease of maintenance

### Waste options

- 1 1/4" strainer waste, slotted ref. TSWC101
- 1 1/4" swivel waste, slotted ref. TSWC103
- 1 1/4" click clack waste, slotted ref. TSWC107

### Trap options

- 1 1/4" resealing plastic bottle trap ref. A10R
- 1 1/4" metal bottle trap ref. TSWC112
- 1 1/4" modern metal bottle trap ref. TSWC114



SanCeram



## Langley 500

LLWB109

### Description

Langley 500mm wash basin, centre taphole with overflow

### Features

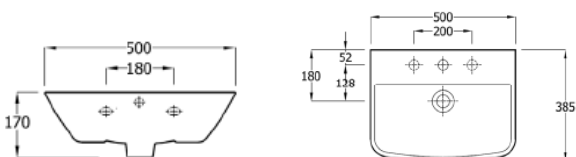
- Minimalistic design
- Centre taphole only with an overflow
- Bottom outlet for ease of maintenance

### Waste options

- 1 ¼" strainer waste, slotted ref. TSWC101
- 1 ¼" swivel waste, slotted ref. TSWC103
- 1 ¼" click clack waste, slotted ref. TSWC107

### Trap options

- 1 ¼" resealing plastic bottle trap ref. A10R
- 1 ¼" metal bottle trap ref. TSWC112
- 1 ¼" modern metal bottle trap ref. TSWC114



SanCeram



## Langley 600

LLWB110

### Description

Langley 600mm wash basin, centre taphole with overflow

### Features

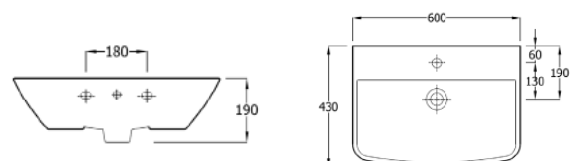
- Minimalistic design
- Centre taphole only with an overflow
- Bottom outlet for ease of maintenance

### Waste options

- 1 ¼" strainer waste, slotted ref. TSWC101
- 1 ¼" swivel waste, slotted ref. TSWC103
- 1 ¼" click clack waste, slotted ref. TSWC107

### Trap options

- 1 ¼" resealing plastic bottle trap ref. A10R
- 1 ¼" metal bottle trap ref. TSWC112
- 1 ¼" modern metal bottle trap ref. TSWC114



## SanCeram



### Shenley 450

SHWB101

#### Description

Shenley 450mm slimline basin, right hand taphole with overflow

#### Features

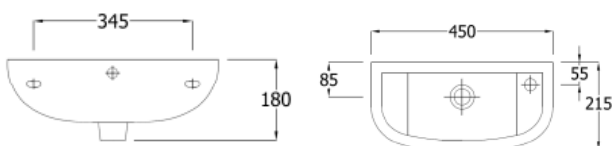
- Contemporary design
- Right hand taphole with an overflow
- Bottom outlet for ease of maintenance

#### Waste options

- 1 ¼" strainer waste, slotted ref. TSWC101
- 1 ¼" swivel waste, slotted ref. TSWC103
- 1 ¼" click clack waste, slotted ref. TSWC107

#### Trap options

- 1 ¼" resealing plastic bottle trap ref. A10R
- 1 ¼" metal bottle trap ref. TSWC112
- 1 ¼" modern metal bottle trap ref. TSWC114



## SanCeram



### Marden Cloakroom

MDWB114

#### Description

Marden cloakroom wall hung basin, single tap hole with overflow.

#### Features

- Modern design
- Single taphole with an overflow
- Bottom outlet for ease of maintenance
- Ideal for use in areas where space is a premium

#### Waste options

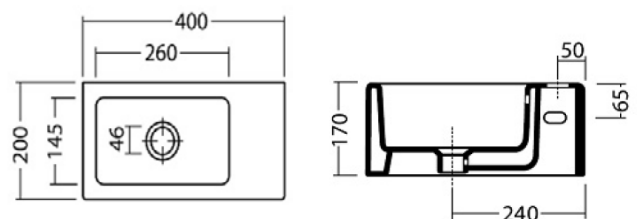
- 1 ¼" strainer waste, slotted ref. TSWC101
- 1 ¼" swivel waste, slotted ref. TSWC103
- 1 ¼" click clack waste, slotted ref. TSWC107

#### Trap options

- 1 ¼" resealing plastic bottle trap ref. A10R
- 1 ¼" metal bottle trap ref. TSWC112
- 1 ¼" modern metal bottle trap ref. TSWC114

#### Essential items

- Wall fixings ref. WBKIT01







## Concept Sphere 450

E8055

### Description

Concept sphere 450mm wash basin, centre taphole with overflow

### Features

- Smooth modern design
- Centre taphole with an overflow
- Bottom outlet for ease of maintenance

### Waste options

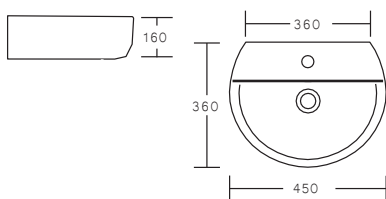
- 1 ¼" strainer waste, slotted ref. S8722
- 1 ¼" swivel plug waste, slotted ref. S8734

### Trap options

- 1 ¼" resealing plastic bottle trap ref. S8910
- 1 ¼" metal bottle trap ref. S8900

### Essential items

- Wall fixings ref. E0157



## SanCeram

### Marden Pedestal

MDWB108/ 109

### Description

Marden pedestal

### Features

- Unbranded

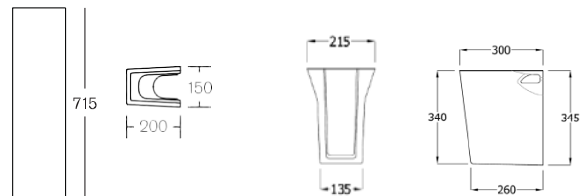
### Product options

- Full pedestal 715mm high ref. MDWB108
- Semi pedestal 345mm high ref. MDWB109



MDWB108

MDWB109



## SanCeram

### Chartham Pedestal

CHWB110 / 111

### Description

Chartham pedestal

### Features

- Unbranded

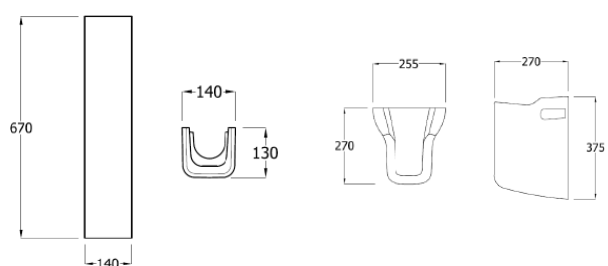
### Product options

- Full pedestal 670mm high ref. CHWB110
- Semi pedestal 375mm high ref. CHWB111



CHWB110

CHWB111



SanCeram



## SanCeram Solid Surface Washtrough SCTR101/ SCTR102/ SCTR103/ SCTR104

### Description

SanCeram white solid surface washtrough

### Features

- Strong, robust and repairable material
- Single left handed waste outlet point
- Standard sizes ideal for 2 or 3 tap stations
- Profiles for deck or wall mounted taps
- Wall mounted installation

### Product options

- 1200mm long for wall mounted taps ref. SCTR101
- 1200mm long for deck mounted taps ref. SCTR102
- 1800mm long for deck mounted taps ref. SCTR103
- 1800mm long for wall mounted taps ref. SCTR104

### Waste options

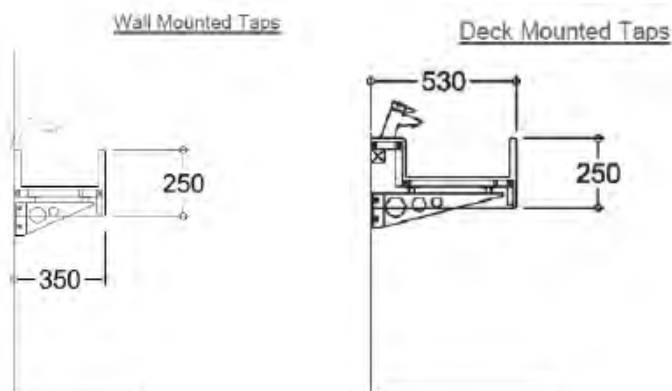
- 1 1/2" strainer waste, unslotted ref. TSWC109

### Trap options

- 1 1/2" resealing plastic bottle trap ref. C10R

### Essential items

- Cantilever brackets for wall mounted tap troughs ref. 0600220
- Cantilever brackets for deck mounted tap troughs ref. 0600226



SanCeram



## Chartham 530 CHWB112

### Description

Chartham 530mm counter top vanity basin, centre taphole with an overflow

### Features

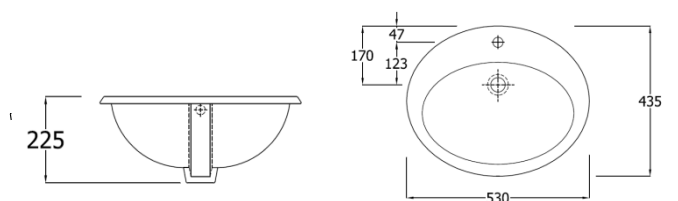
- Minimalistic design
- Centre taphole with an overflow
- Bottom outlet for ease of maintenance

### Waste options

- 1 1/4" strainer waste, slotted ref. TSWC101
- 1 1/4" swivel waste, slotted ref. TSWC103
- 1 1/4" click clack waste, slotted ref. TSWC107

### Trap options

- 1 1/4" resealing plastic bottle trap ref. A10R
- 1 1/4" metal bottle trap ref. TSWC112
- 1 1/4" modern metal bottle trap ref. TSWC114



SanCeram

**Marden 560**

MDWB107

**Description**

Marden 560mm counter top vanity basin, no taphole with overflow

**Features**

- Ergonomic modern styling
- No taphole
- Overflow
- Install inset to counter or under mounted
- Bottom outlet for ease of maintenance

**Waste options**

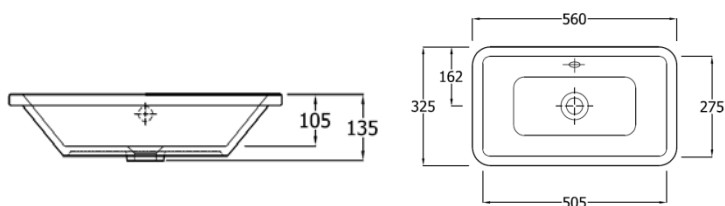
- 1 ¼" strainer waste, slotted ref. TSWC101
- 1 ¼" swivel waste, slotted ref. TSWC103
- 1 ¼" click clack waste, slotted ref. TSWC107

**Trap options**

- 1 ¼" resealing plastic bottle trap ref. A10R
- 1 ¼" metal bottle trap ref. TSWC112
- 1 ¼" modern metal bottle trap ref. TSWC114

**Essential item**

- Overflow adapter ref. TSWC111



SanCeram

**Shenley 500**

SHWB103/ 104

**Description**

Shenley 500mm counter top vanity basin, centre taphole with overflow

**Features**

- Contemporary design
- Centre and two taphole options with an overflow
- Bottom outlet for ease of maintenance

**Product options**

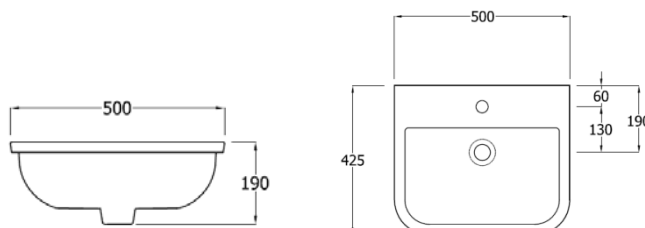
- Centre tap hole with overflow ref. SHWB103
- Two tapholes with overflow and chain hole ref. SHWB104

**Waste options**

- 1 ¼" strainer waste, slotted ref. TSWC101
- 1 ¼" swivel waste, slotted ref. TSWC103
- 1 ¼" plug & chain waste, slotted ref. TSWC105
- 1 ¼" click clack waste, slotted ref. TSWC107

**Trap options**

- 1 ¼" resealing plastic bottle trap ref. A10R
- 1 ¼" metal bottle trap ref. TSWC112
- 1 ¼" modern metal bottle trap ref. TSWC114



Armitage  
Shanks



## Orbit 21 550

S2488 / S2487

### Description

Orbit 21 550mm counter top vanity basin, two taphole, overflow and chain hole

### Features

- Clean design
- Centre and two taphole options with an overflow
- Bottom outlet for ease of maintenance

### Product options

- Centre taphole with overflow and chain hole ref. S2487
- Two tap holes with overflow and chain hole ref. S488

### Waste options

- 1 1/4" bead chain & plug waste, slotted ref. S8800
- 1 1/4" strainer waste, slotted ref. S8722

### Trap options

- 1 1/4" resealing plastic bottle trap ref. S8910
- 1 1/4" metal bottle trap ref. S8900

Armitage  
Shanks



## Sandringham 21 500

E8952 / E8953

### Description

Sandringham 21 500mm counter top vanity basin with overflow and no chain hole

### Features

- Clean design
- Centre and two taphole options with an overflow
- Bottom outlet for ease of maintenance

### Product options

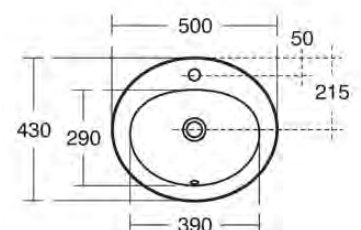
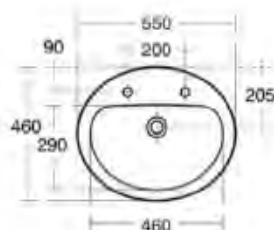
- Centre taphole and overflow ref. E8952
- Two tap holes, overflow and chain hole ref. E8953

### Waste options

- 1 1/4" bead chain & plug waste, slotted ref. S8800
- 1 1/4" strainer waste, slotted ref. S8722

### Trap options

- 1 1/4" resealing plastic bottle trap ref. S8910
- 1 1/4" metal bottle trap ref. S8900



## SanCeram



### Chartham Vessel

CHWB120

#### Description

Chartham countertop vessel basin, no tap hole or overflow

#### Features

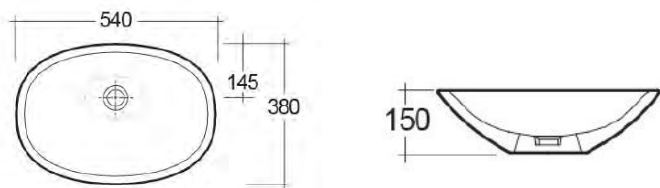
- Contemporary design
- No taphole or overflow
- Install to sit on countertop
- Bottom outlet for ease of maintenance

#### Waste options

- 1 1/4" strainer waste, un-slotted ref. TSWC102
- 1 1/4" swivel waste, un-slotted ref. TSWC104
- 1 1/4" click clack waste, un-slotted ref. TSWC108
- 1 1/4" ceramic topped click clack waste, un-slotted ref. TSWC121

#### Trap options

- 1 1/4" resealing plastic bottle trap ref. A10R
- 1 1/4" metal bottle trap ref. TSWC112
- 1 1/4" modern metal bottle trap ref. TSWC114



## SanCeram



### Langley vessel

LLWB108

#### Description

Langley vessel basin

#### Features

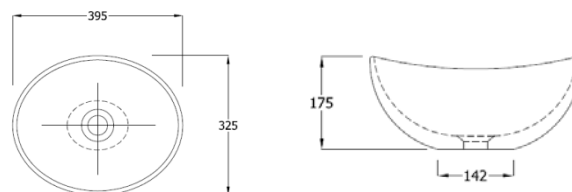
- Minimalistic design
- No taphole or overflow
- Bottom outlet for ease of maintenance

#### Waste options

- 1 1/4" strainer waste, un-slotted ref. TSWC102
- 1 1/4" swivel waste, un-slotted ref. TSWC104
- 1 1/4" click clack waste, un-slotted ref. TSWC108
- 1 1/4" ceramic topped click clack waste, un-slotted ref. TSWC121

#### Trap options

- 1 1/4" resealing plastic bottle trap ref. A10R
- 1 1/4" metal bottle trap ref. TSWC112
- 1 1/4" modern metal bottle trap ref. TSWC114



SanCeram



## Marden Square 460

MDWB111 / MDWB112

### Description

Marden 460mm countertop / wall hung basin, central tap hole with overflow

### Features

- Modern design
- Centre and no taphole options with an overflow
- Install as vessel or wall hung
- Bottom outlet for ease of maintenance

### Product options

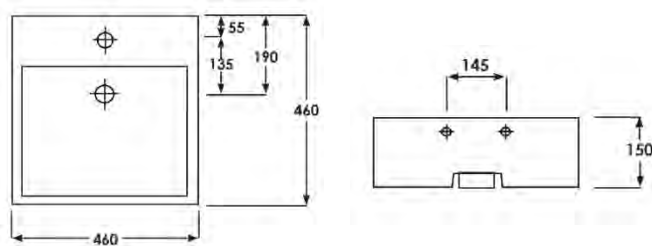
- Marden 460mm vessel / wall hung basin, central tap hole with overflow ref. MDWB111
- Marden 460mm vessel / wall hung basin, no tap hole with overflow ref. MDWB112

### Waste options

- 1 ¼" strainer waste, slotted ref. TSWC101
- 1 ¼" swivel waste, slotted ref. TSWC103
- 1 ¼" click clack waste, slotted ref. TSWC107
- 1 ¼" ceramic topped click clack waste, un-slotted ref. TSWC121

### Trap options

- 1 ¼" resealing plastic bottle trap ref. A10R
- 1 ¼" metal bottle trap ref. TSWC112
- 1 ¼" modern metal bottle trap ref. TSWC114



SanCeram



## Langley Round 420 Vessel

LLWB122

### Description

Langley round vessel basin, no tap holes or overflow

### Features

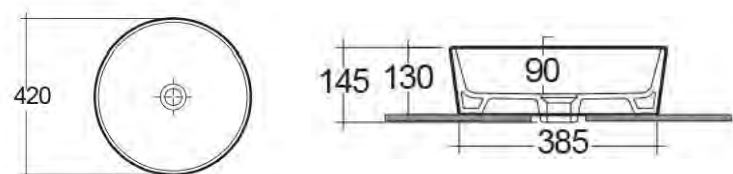
- Contemporary slim style appearance
- Modern design
- No overflow
- Install to sit on countertop
- Bottom outlet for ease of maintenance

### Waste options

- 1 ¼" strainer waste, un-slotted ref. TSWC102
- 1 ¼" swivel waste, un-slotted ref. TSWC104
- 1 ¼" click clack waste, un-slotted ref. TSWC108
- 1 ¼" ceramic topped click clack waste, un-slotted ref. TSWC121

### Trap options

- 1 ¼" resealing plastic bottle trap ref. A10R
- 1 ¼" metal bottle trap ref. TSWC112
- 1 ¼" modern metal bottle trap ref. TSWC114





SanCeram



### Langley Oval 550 Vessel LLWB123

#### Description

Langley oval vessel basin, no tap holes or overflow

#### Features

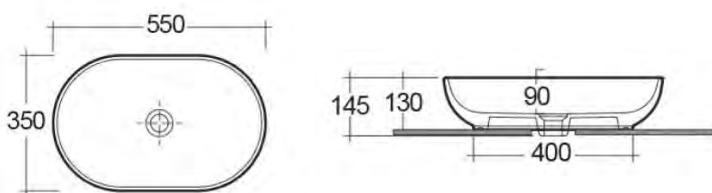
- Contemporary design
- No overflow
- Install to sit on countertop
- Bottom outlet for ease of maintenance

#### Waste options

- 1 ¼" strainer waste, un-slotted ref. TSWC102
- 1 ¼" swivel waste, un-slotted ref. TSWC104
- 1 ¼" click clack waste, un-slotted ref. TSWC108
- 1 ¼" ceramic topped click clack waste, un-slotted ref. TSWC121

#### Trap options

- 1 ¼" resealing plastic bottle trap ref. A10R
- 1 ¼" metal bottle trap ref. TSWC112
- 1 ¼" modern metal bottle trap ref. TSWC114



SanCeram



### Langley Rectangular 500 Vessel LLWB121

#### Description

Langley rectangular vessel basin, no tap holes or overflow

#### Features

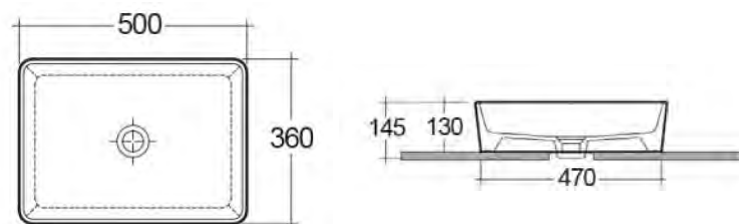
- Contemporary slim style appearance
- Modern design
- No overflow
- Install to sit on countertop
- Bottom outlet for ease of maintenance

#### Waste options

- 1 ¼" strainer waste, un-slotted ref. TSWC102
- 1 ¼" swivel waste, un-slotted ref. TSWC104
- 1 ¼" click clack waste, un-slotted ref. TSWC108
- 1 ¼" ceramic topped click clack waste, un-slotted ref. TSWC121

#### Trap options

- 1 ¼" resealing plastic bottle trap ref. A10R
- 1 ¼" metal bottle trap ref. TSWC112
- 1 ¼" modern metal bottle trap ref. TSWC114



SanCeram



**Langley 400**  
LLWB107

**Description**

Langley 400mm diameter under counter basin, with overflow

**Features**

- Minimalistic design
- No taphole with overflow
- Bottom outlet for ease of maintenance

**Waste options**

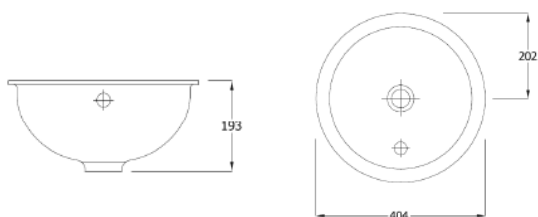
- 1 1/4" strainer waste, slotted ref. TSWC101
- 1 1/4" swivel waste, slotted ref. TSWC103
- 1 1/4" plug & chain waste, slotted ref. TSWC105
- 1 1/4" click clack waste, slotted ref. TSWC107

**Trap options**

- 1 1/4" resealing plastic bottle trap ref. A10R
- 1 1/4" metal bottle trap ref. TSWC112
- 1 1/4" modern metal bottle trap ref. TSWC114

**Essential items**

- Overflow adapter ref. TSWC111



SanCeram



**Chartham 450**  
CHWB108 / CHWB109

**Description**

Chartham 450mm semi-recessed vanity basin, right hand taphole with overflow

**Features**

- Ultra sleek modern design
- Right hand and two taphole options with an overflow
- Bottom outlet for ease of maintenance

**Product options**

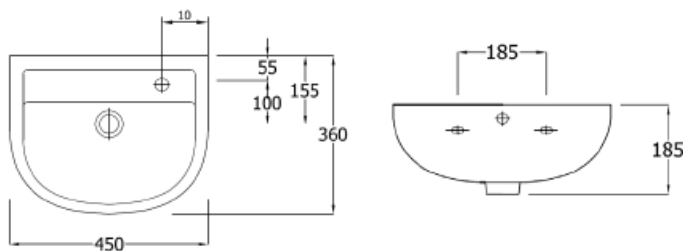
- Two tapholes, overflow and chain hole ref. CHWB108
- Right hand tap hole and overflow ref. CHWB109

**Waste options**

- 1 1/4" strainer waste, slotted ref. TSWC101
- 1 1/4" swivel waste, slotted ref. TSWC103
- 1 1/4" plug & chain waste, slotted ref. TSWC105
- 1 1/4" click clack waste, slotted ref. TSWC107

**Trap options**

- 1 1/4" resealing plastic bottle trap ref. A10R
- 1 1/4" metal bottle trap ref. TSWC112
- 1 1/4" modern metal bottle trap ref. TSWC114



SanCeram



## Marden 520

MDWB105 / MDWB106

### Description

Marden 520mm semi-recessed vanity basin, centre taphole and overflow

### Features

- Ergonomic modern styling
- Centre and two taphole options with an overflow
- Bottom outlet for ease of maintenance

### Product options

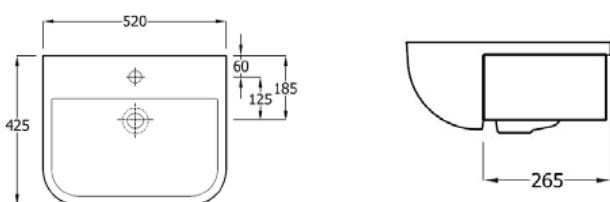
- Central tap hole with overflow ref. MDWB105
- Two tapholes with overflow & chain hole ref. MDWB106

### Waste options

- 1 ¼" strainer waste, slotted ref. TSWC101
- 1 ¼" swivel waste, slotted ref. TSWC103
- 1 ¼" plug & chain waste, slotted ref. TSWC105
- 1 ¼" click clack waste, slotted ref. TSWC107

### Trap options

- 1 ¼" resealing plastic bottle trap ref. A10R
- 1 ¼" metal bottle trap ref. TSWC112
- 1 ¼" modern metal bottle trap ref. TSWC114



SanCeram



## Marden Square 460

MDWB113

### Description

Marden Square 460mm semi-recessed vanity basin, centre taphole with overflow

### Features

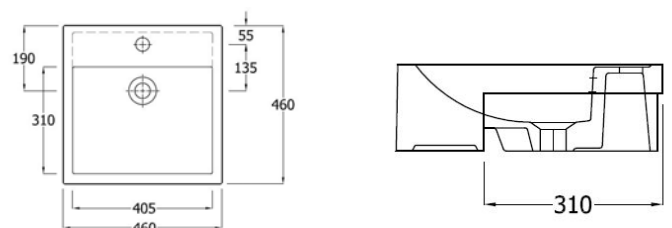
- Modern design
- Centre taphole only with an overflow
- Bottom outlet for ease of maintenance

### Waste options

- 1 ¼" strainer waste, slotted ref. TSWC101
- 1 ¼" swivel waste, slotted ref. TSWC103
- 1 ¼" click clack waste, slotted ref. TSWC107

### Trap options

- 1 ¼" resealing plastic bottle trap ref. A10R
- 1 ¼" metal bottle trap ref. TSWC112
- 1 ¼" modern metal bottle trap ref. TSWC114



SanCeram



## Langley 500

LLWB104

### Description

Langley 500mm semi-recessed vanity basin, centre taphole with overflow

### Features

- Minimalistic design
- Centre taphole only with an overflow
- Bottom outlet for ease of maintenance

### Waste options

- 1 1/4" strainer waste, slotted ref. TSWC101
- 1 1/4" swivel waste, slotted ref. TSWC103
- 1 1/4" click clack waste, slotted ref. TSWC107

### Trap options

- 1 1/4" resealing plastic bottle trap ref. A10R
- 1 1/4" metal bottle trap ref. TSWC112
- 1 1/4" modern metal bottle trap ref. TSWC114



SanCeram



## Shenley 400

SHWB105 / SHWB106

### Description

Shenley 400mm slim projection semi-recessed vanity basin, right hand taphole with overflow

### Features

- Ultra sleek modern design
- Right hand and two taphole options with an overflow
- Bottom outlet for ease of maintenance

### Product options

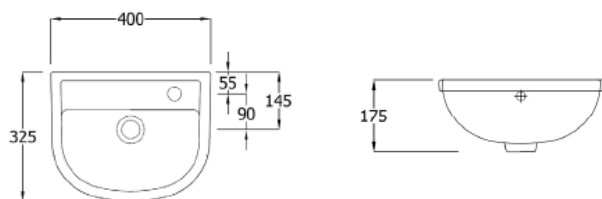
- Right hand tap hole with overflow ref. SHWB105
- Two taphole with an overflow and chain hole ref. SHWB106

### Waste options

- 1 1/4" strainer waste, slotted ref. TSWC101
- 1 1/4" swivel waste, slotted ref. TSWC103
- 1 1/4" plug & chain waste, slotted ref. TSWC105
- 1 1/4" click clack waste, slotted ref. TSWC107

### Trap options

- 1 1/4" resealing plastic bottle trap ref. A10R
- 1 1/4" metal bottle trap ref. TSWC112
- 1 1/4" modern metal bottle trap ref. TSWC114

Armitage  
Shanks

## Sandringham 21 500

E8958 / E8959

### Description

Sandringham 500mm semi-recessed vanity basin, centre taphole with overflow

### Features

- Clean design
- Centre and two taphole options with an overflow
- Bottom outlet for ease of maintenance

### Product options

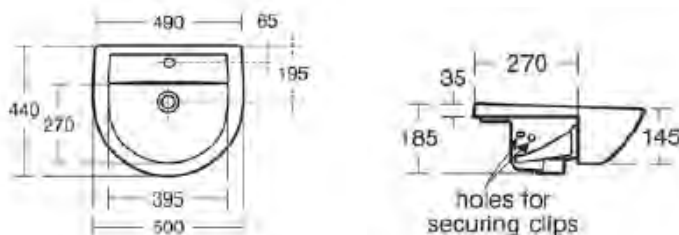
- Central tap hole with overflow ref. E8958
- Two tapholes with overflow and chain hole ref. E8959

### Waste options

- 1 1/4" strainer waste, slotted ref. S8722
- 1 1/4" swivel plug waste, slotted ref. S8734

### Trap options

- 1 1/4" resealing plastic bottle trap ref. S8920
- 1 1/4" metal bottle trap ref. S8900



Armitage  
Shanks



## Profile 21 500

S2492/ S2494

### Description

Profile 500mm semi-recessed vanity basin, centre taphole and overflow

### Features

- Smooth modern design
- Centre and two taphole options with an overflow
- Bottom outlet for ease of maintenance

### Product options

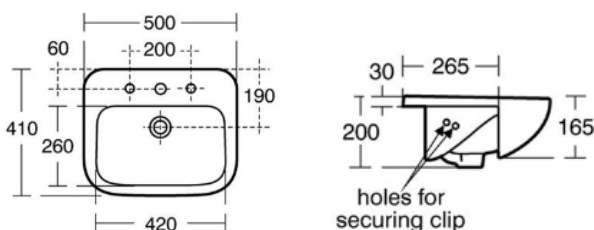
- Central tap hole with overflow ref. S2492
- Two tapholes with overflow and chain hole ref. S2494

### Waste options

- 1 1/4" strainer waste, slotted ref. S8722
- 1 1/4" swivel plug waste, slotted ref. S8734

### Trap options

- 1 1/4" resealing plastic bottle trap ref. S8920
- 1 1/4" metal bottle trap ref. S8900



iSideal  
STANDARD



## Concept Space 500

E7799 / E7797

### Description

Concept Space 500mm short projection semi-recessed vanity basin, right hand taphole with overflow

### Features

- Space saving design
- Right hand taphole and overflow
- Bottom outlet for ease of maintenance

### Product options

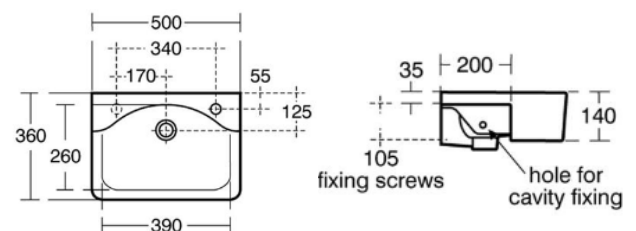
- Right hand tap hole with overflow ref. E7799
- Two tapholes with overflow and chain hole ref. E7797

### Waste options

- 1 1/4" strainer waste, slotted ref. S8722
- 1 1/4" swivel plug waste, slotted ref. S8734

### Trap options

- 1 1/4" resealing plastic bottle trap ref. S8910
- 1 1/4" metal bottle trap ref. S8900





## SanCeram



### Chartham Cleaners Sink CHSK101

#### Description

Chartham 520mm fireclay cleaner's sink with 250mm high back

#### Features

- H 490mm x D 390mm x W 520mm
- Grate (ref. CHSK102) and fixings (ref. CHSK103) available, sold separately

#### Associated items

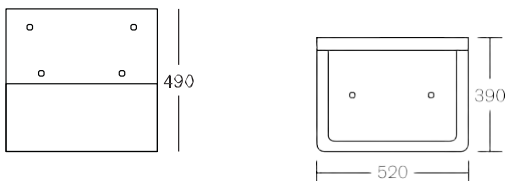
- Stainless steel sink grate ref. CHSK102
- Stainless steel legs & aluminium bearer pack ref. CHSK103

#### Waste option

- 1 ½" strainer waste, unslotted ref. TSWC109

#### Trap option

- 1 ½" resealing plastic bottle trap ref. C10R



## SanCeram



### Chartham Belfast Sink CHSK104

#### Description

Chartham 595mm belfast sink

#### Features

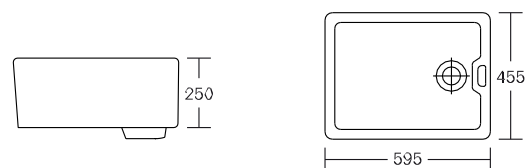
- H 250mm x D 455mm x W 595mm
- Built in overflow
- To be inset into a worktop

#### Waste option

- 1 ½" strainer waste, unslotted ref. TSWC109

#### Trap option

- 1 ½" resealing plastic bottle trap ref. C10R



# Brassware



## SanCeram



## HBN Thermostatic sensor SCBW112 / SCBW123

**Description**

Sensor operated safe touch thermostatic panel mounted mixer tap designed for the healthcare environment.

**Technical Specification**

Max operating pressure: 10 bar static  
Min operating pressure: 1.0 bar dynamic  
Max inlet temperature: 85°C  
Pre-set factory temperature: 41°C

**Product Options**

- With fixed spout ref. SCBW112
- With removable spout ref. SCBW123

**Compatible Extras**

- Purge kit ref. SCBW117
- Transformer to mains power ref. SCBW116

**Features**

- HBN / HTM compliant
- WRAS approved
- TMV3 approved
- Full safe touch body
- Remote sensor operated
- Sterilisation function
- 24 hour hygiene flush
- Battery powered
- 5ltr/min flow regulars fitted

HBN  
compliant  
see pages  
87-90

## SanCeram



## HBN Thermostatic lever SCBW111 / SCBW122

**Description**

Lever operated safe touch thermostatic panel mounted mixer tap designed for the healthcare environment

**Technical Specification**

Max operating pressure: 10 bar static  
Min operating pressure: 1.0 bar dynamic  
Max inlet temperature: 85°C  
Pre-set factory temperature: 41°C

**Product Options**

- With fixed spout ref. SCBW111
- With removable spout ref. SCBW122

**Compatible Extras**

- Purge kit ref. SCBW117

**Features**

- HBN / HTM compliant
- WRAS approved
- TMV3 approved
- Full safe touch body
- Lever operated
- Long paddle lever for ease of operation
- Sterilisation function
- 5ltr/min flow regulars fitted

HBN  
compliant  
see pages  
87-90

Armitage  
Shanks

## Markwik 21+ A6682/ A6735/ A6684/ A6737

**Description**

Markwik 21+ panel mounted bib mixer with integral thermostat, sensor or sequential lever operated horizontal single flow nozzle

**Technical Specification**

Max operating pressure: 10 bar static  
Min operating pressure: 1.0 bar dynamic  
Max inlet temperature: 65°C

**Product Options**

- Lever with fixed spout ref. A6735
- Lever with removable spout ref. A6682
- Time flow sensor with fixed spout A6737
- Time flow sensor with removable spout ref. A6684

**Features**

- HBN / HTM compliant
- WRAS approved
- TMV3 approved
- Full safe touch body
- Sterilisation function
- 10ltr/min flow maximum
- Disinfection feature available
- Bioguard anti-pseudomonas outlet
- Mains powered

HBN  
compliant  
see pages  
87-90

## SanCeram



## Deck Mounted Sensor Tap SCBW119

**Description**

SanCeram deck mounted sensor tap for pre-mixed water

**Technical Specification**

Max operating pressure: 8.0 bar static  
Min operating pressure: 1.0 bar dynamic  
Max inlet temperature: 65°C

**Compatible Extras**

- Transformer to mains power ref. SCBW116

**Features**

- DDA compliant
- WRAS approved
- Battery powered
- Hygienic no touch
- Water saving
- 24 hour hygiene flush
- 6ltr/min flow regulator included

*Armitage  
Shanks*



## Sensorflow 21 A4171

**Description**

Sensorflow 21 basin mounted spout with built-in sensor, for pre-mixed water.

**Technical Specification**

Max operating pressure: 5.0 bar  
Min operating pressure: 0.2 bar

**Product Options**

- Sensorflow 21tap mains link version ref. A4172
- Sensorflow 21 tap, battery powered ref. A4122

**Features**

- DDA compliant
- Mains powered
- Hygienic no touch
- Water saving
- 3.7ltr/min flow regulator included

*Armitage  
Shanks*



## Sensorflow 21 Compact A4852

**Description**

Sensorflow 21 compact basin mounted spout with built-in sensor, for pre-mixed water

**Technical Specification**

Max operating pressure: 5.0 bar  
Min operating pressure: 0.2 bar

**Product Options**

- Sensorflow 21 compact mains link version ref. A4853
- Sensorflow 21 compact, battery powered ref. A4851

**Features**

- DDA compliant
- Mains powered
- Hygienic no touch
- Water saving
- 3.7ltr/min flow regulator included

**DEVA**



## Deck Mounted Temperature Adjustment Sensor Tap SENSOR6/BT

**Description**

Deck mounted sensor tap with temperature control

**Technical Specification**

Max operating pressure: 5.0 bar  
Min operating pressure: 0.5 bar

**Features**

- WRAS approved
- Temperature adjustment lever
- Battery powered only
- Battery operation required 4 x AA batteries
- Hygienic no touch
- Water saving

DEVA



## Sensor basin SENSOR 1/D

### Description

Chrome sensor basin mono for pre-mixed water

### Technical Specification

Max operating pressure: 5.0 bar  
Min operating pressure: 0.5 bar

### Features

- DDA compliant
- Mains or battery powered, items for both options supplied
- Battery operation required 4 x AA batteries
- Scratch resistant sensor window
- Moisture and water resistant control box

DVS  
Dart Valley Systems

## Aquarius A45 AT03-011

### Description

Modern and simple design sensor tap for the ultimate in hygiene levels

### Technical Specification

Max operating pressure: 6.0 bar  
Min operating pressure: 1.0 bar

### Required Extras

- Battery power single station kit ref. AT00-001
- Mains power single station kit ref. AT00-002

### Features

- Stainless Steel construction
- Hygienic no touch
- Requires station kit to operate
- Mains or battery powered station kits available
- Low pressure station kits available

DVS  
Dart Valley Systems

## Aquarius wall mount straight AT02-001

### Description

Wall mounted sensor tap for the ultimate in hygiene levels 150mm projection

### Technical Specification

Max operating pressure: 6.0 bar  
Min operating pressure: 1.0 bar

### Required Extras

- Battery power single station kit ref. AT00-001
- Mains power single station kit ref. AT00-002

### Features

- Stainless Steel construction
- Hygienic no touch
- Mains or battery powered station kits available
- Low pressure station kits available

DEVA



## Wall mount sensor tap SENSOR9/W

### Description

Wall mounted sensor tap for pre-mixed water

### Technical Specification

Max operating pressure: 5.0 bar  
Min operating pressure: 0.5 bar

### Features

- DDA compliant
- Mains or battery powered, items for both options supplied
- Battery operation required 4 x AA batteries
- 230mm projection
- Scratch resistant sensor window
- Moisture and water resistant control box



SanCeram



### Basin mounted self closing mixer SCBW106

#### Description

Non-concussive basin tap with adjustable temperature control

#### Technical Specification

Max operating pressure: 5.0 bar  
Min operating pressure: 0.5 bar

#### Features

- DDA compliant
- Easy operation handle to adjust temperature
- Press action operation
- 15 second flow time at 1 bar pressure

SanCeram



### Self closing toggle SCBW107

#### Description

Self closing toggle single pillar tap, for pre-mixed water

#### Technical Specification

Max operating pressure: 10.0 bar static  
Min operating pressure: 0.1 bar dynamic

#### Features

- DDA compliant
- WRAS approved
- Simple smooth operation
- 15 second flow time at 1 bar pressure
- Flow regulars available

Armitage  
Shanks

### Avon 21 self closing B8263

#### Description

Avon 21 self closing mono basin mixer with temperature control

#### Technical Specification

Max operating pressure: 10.0 bar static  
Min operating pressure: 0.5 bar dynamic

#### Features

- DDA compliant
- WRAS approved
- Temperature adjusted non concussive tap
- Water saving
- Anti vandal outlet
- 3.7ltr/min flow regulator included

DEVA



### Vision self closing mixer VSN123

#### Description

Vision self closing mono basin mixer for pre-mixed water

#### Technical Specification

Max operating pressure: 5.0 bar  
Min operating pressure: 0.3 bar

#### Features

- DDA compliant
- Easy press action operation
- Tamper proof
- 10 second flow time at 1 bar pressure
- For use with blended water



## SanCeram



### Contemporary press action taps SCBW124

#### Description

Pair of non-concussive contemporary basin tap

#### Technical Specification

Max operating pressure: 10.0 bar static  
Min operating pressure: 0.2 bar dynamic

#### Features

- Simple press action operation
- WRAS approved
- 15 second flow time at 1 bar pressure

Armitage  
Shanks



### Avon 21 self closing B8267

#### Description

Avon 21 pair of self closing basin pillar taps

#### Technical Specification:

Max operating pressure: 10.0 bar  
Min operating pressure: 0.5 bar

#### Features

- DDA compliant
- Non concussive pillar taps
- Water saving
- Anti-vandal
- 3.7ltr/min flow at 3 bar pressure

Armitage  
Shanks



### Sandringham 21 self closing S0672AA

#### Description

Pair of Sandringham self closing basin pillar taps

#### Technical Specification

Max operating pressure: 5.0 bar  
Min operating pressure: 1.0 bar

#### Features

- DDA compliant
- Non concussive pillar taps
- Water saving
- 4ltr/min flow at regulators supplied
- Typical run time of 12-16 seconds

DEVA



### Self closing NCT001

#### Description

Pair of self closing deck pillar basin taps

#### Technical Specification

Max operating pressure: 3.0 bar  
Min operating pressure: 0.1 bar

#### Features

- DDA compliant
- WRAS Approved
- Non concussive taps with a 10 second shut off
- Water saving

SanCeram



### Chartham Mono basin mixer SCBW101

#### Description

Chartham deck mounted mono basin mixer tap with press top waste

#### Technical Specification

Max operating pressure: 5.0 bar  
Min operating pressure: 0.2 bar

#### Features

- WRAS Approved
- Minimalistic design
- Complete with a press top waste
- Ceramic cartridge
- Adjustable directional aerator
- 7ltr/min flow regulator included

SanCeram



### Marden Mono basin mixer MDBW101

#### Description

Marden deck mounted mono basin mixer tap

#### Technical Specification

Max operating pressure: 5.0 bar  
Min operating pressure: 0.2 bar

#### Features

- WRAS Approved
- Minimalistic design
- Slim stream aerator

SanCeram



### Langley Mono basin mixer LLBW104

#### Description

Langley deck mounted mono basin mixer tap

#### Technical Specification:

Max operating pressure: 5.0 bar  
Min operating pressure: 0.2 bar

#### Features

- WRAS Approved
- Minimalistic design
- Water flow aerator
- Press top waste included

SanCeram



### Sequential TMV3 mixer SCBW120

#### Description

Sequential thermostatic basin mixer tap suitable for hand or wrist operation

#### Technical Specification:

Max operating pressure: 5.0 bar  
Min operating pressure: 0.2 bar

#### Compatible Extras

- Copper tail pack ref. SCBW115

#### Features

- TMV3 approved
- HBN / HTM compliant (when installed with copper tails)
- WRAS approved
- Safe touch body
- Self draining spout
- 5ltr/min flow regulators fitted

HBN  
compliant  
see pages  
87-90



SanCeram

**Hartley Mono basin mixer HABW101****Description**

Hartley deck mounted mono basin mixer tap

**Technical Specification**

Max operating pressure: 5.0 bar

Min operating pressure: 0.2 bar

**Features**

- Minimalistic design
- Ceramic cartridge
- Adjustable directional aerator
- Available in 3 finishes

**Product Options**

- Chrome finish ref. HABW101
- Matt Black finish ref. HABW101B
- Brushed Nickel finish ref. HABW101N

ChromeMatt BlackBrushed Nickel

DEVA

**Adore basin mixer ADORE113-EK****Description**

Enviro-click basin mixer tap with press-top waste

**Technical Specification**

Max operating pressure: 2.0 bar

Min operating pressure: 0.2 bar

**Features**

- WRAS approved
- Lever operation
- Tilt & turn temperature & flow control
- Complete with press top waste
- Ceramic cartridge
- 2 Step Eco-cartridge



DEVA

**Adore mini basin mixer ADORE313****Description**

Mini mono basin mixer tap

**Technical Specification:**

Max operating pressure: 5.0 bar

Min operating pressure: 0.3 bar

**Features**

- WRAS approved
- Lever operation
- Tilt & turn temperature & flow control
- Compact design ideal for use with small basins





### Insignia mono basin mixer INS113

#### Description

Insignia tilt and turn lever action mono basin mixer with press-top waste

#### Technical Specification

Max operating pressure: 5.0 bar  
Min operating pressure: 0.2 bar

#### Features

- WRAS Approved
- Lever operation
- Tilt & turn temperature and flow control
- Flow regulators available



### Swoop luxury lever MK2 SWO2113

#### Description

Swoop luxury tilt and turn lever action mono basin mixer with press top waste

#### Technical Specification:

Max operating pressure: 5.0 bar  
Min operating pressure: 0.3 bar

#### Features

- Ultra modern design
- Lever operation
- Complete with a press top waste
- Tilt and turn flow and temperature control
- Flow regulators available



### Vision lever VSN113

#### Description

Vision deck mounted mono basin mixer tap with press top waste

#### Technical Specification:

Max operating pressure: 5.0 bar  
Min operating pressure: 0.3 bar

#### Features

- Modern design
- Tilt & turn temperature and flow control
- Supplied with press top waste
- Flow regulators available



### Swoop luxury lever MK2 SWO2113EX

#### Description

Swoop tall luxury tilt and turn lever action mono basin mixer

#### Technical Specification:

Max operating pressure: 5.0 bar  
Min operating pressure: 0.3 bar

#### Features

- Ultra modern design
- Lever operation
- Complete with a press top waste
- Tilt and turn flow and temperature control
- Flow regulators available

DEVA



### Sensor tall SENSOR 3/D

#### Description

Luxury tall sensor vessel mono tap for pre-mixed water

#### Technical Specification:

Max operating pressure: 5.0 bar  
Min operating pressure: 0.5 bar

#### Features

- DDA compliant
- Mains or battery powered, items for both options supplied
- Battery operation required 4 x AA batteries
- Scratch resistant sensor window
- Moisture and water resistant control box

SanCeram



### Hartley tall mono basin mixer HABW102

#### Description

Harley tall mono basin mixer tap

#### Technical Specification

Max operating pressure: 5.0 bar  
Min operating pressure: 0.2 bar

#### Product Options

- Chrome finish ref. HABW102
- Matt Black finish ref. HABW102B
- Brushed Nickel finish ref. HABW102N

#### Features

- Minimalist slim design
- Adjustable directional aerator and key
- Supplied with fixing kit and stabilizing bracket
- Available in 3 finishes

SanCeram



### Langley tall mono basin mixer LLBW105

#### Description

Langley tall mono basin mixer tap

#### Technical Specification:

Max operating pressure: 5.0 bar  
Min operating pressure: 0.2 bar

#### Features

- Minimalist design
- With water flow aerator
- Supplied with fixing kit

SanCeram



### Marden tall mono basin mixer MDBW102

#### Description

Marden tall mono basin mixer tap

#### Technical Specification

Max operating pressure: 5.0 bar  
Min operating pressure: 0.2 bar

#### Features

- Minimalist design
- With water flow aerator
- Supplied with fixing kit
- WRAS approved

DEVA



## DLT Short lever DLT101

### Description

Pair of quarter turn short lever basin pillar taps

### Technical Specification

Max operating pressure: 5.0 bar  
Min operating pressure: 0.1 bar

### Features

- HBN and DDA compliant
- WRAS Approved
- Quarter turn lever control
- Ceramic disc
- Regulators available to reduce flow rate

HBN  
compliant  
see pages  
87-90

Armitage  
Shanks

## Sandringham 21 lever B9881

### Description

Pair of Sandringham lever basin pillar taps

### Technical Specification

Max operating pressure: 10.0 bar  
Min operating pressure: 0.2bar

### Features

- DDA compliant
- WRAS Approved
- Quarter turn lever control
- Ceramic disc
- Regulators available to reduce flow rate

Armitage  
Shanks

## Piccolo 21 lever B8262

### Description

Pair of Piccolo 21 short lever basin pillar taps

### Technical Specification

Max operating pressure: 10.0 bar  
Min operating pressure: 0.3bar

### Features

- HBN and DDA compliant
- WRAS Approved
- Quarter turn lever control
- Short lever pillar taps
- 5ltr/min flow at 3 bar pressure

HBN  
compliant  
see pages  
87-90

DEVA



## Insignia Lever INS101

### Description

Pair of Insignia quarter turn lever basin pillar taps

### Technical Specification

Max operating pressure: 5.0 bar  
Min operating pressure: 0.2bar

### Features

- WRAS Approved
- Modern design
- Quarter turn lever control
- Ceramic disc
- Regulators available to reduce flow rate



DEVA



### Lever bib DLT095

#### Description

Pair of quarter turn lever action wall mounted bib taps

#### Technical Specification

Max operating pressure: 5.0 bar  
Min operating pressure: 0.1 bar

#### Compatible Extras

- 6" Lever handles ref: DLV002

#### Features

- HBN compliant
- WRAS Approved
- Quarter turn lever control
- Ceramic disc
- Longer 6" levers available

HBN  
compliant  
see pages  
87-90

DEVA



### Vision wall mounted VSN122

#### Description

Vision wall mounted basin mixer tap

#### Technical Specification:

Max operating pressure: 5.0 bar  
Min operating pressure: 0.3 bar

#### Features

- WRAS Approved
- Lever operation
- Tilt & turn temperature & flow control
- Separate spout & operating control

SanCeram



### Hartley wall mounted basin mixer HABW103

#### Description

Harley wall mounted basin mixer tap

#### Technical Specification

Max operating pressure: 5.0 bar  
Min operating pressure: 0.2 bar

#### Product Options

- Chrome finish ref. HABW103
- Matt Black finish ref. HABW103B
- Brushed Nickel finish ref. HABW103N

#### Features

- Minimalist design
- Adjustable directional aerator and key
- Tilt & turn temperature & flow control
- Supplied on fixing plate to ease installation
- Available in 3 finishes

SanCeram



### TMV3 Valve SCBW113 / SCBW114

#### Description

15mm TMV3 mixing valve to deliver safe blended water to various water outlets

#### Product Options

- 15mm version ref. SCBW113
- 22mm version ref. SCBW114

#### Features

- Anti-tamper head and integral check valves and strainers
- TMV2, TMV3 and WRAS approved
- 15mm and 22mm options available

#### Working pressures (bar)

Minimum 0.2, maximum 5.0,  
maximum pressure differential 5.0:1.0



SanCeram



### Chartham Deck mounted bath filler SCBW102

#### Description

Chartham dual lever deck mounted bath filler

#### Technical Specification

Max operating pressure: 5.0 bar  
Min operating pressure: 0.1 bar

#### Features

- WRAS Approved
- Minimalistic design
- Dual lever operation
- ¼ turn ceramic disk cartridge

SanCeram



### Chartham Deck mounted bath shower mixer SCBW118

#### Description

Chartham dual lever deck mounted bath filler with shower head & hose

#### Technical Specification

Max operating pressure: 5.0 bar  
Min operating pressure: 0.5 bar

#### Features

- WRAS Approved
- Minimalistic design
- Dual lever operation
- ¼ turn ceramic disk cartridge
- Includes shower handset with patented Satinjet technology
- 9ltr/min flow regulator supplied

SanCeram



### Marden Deck mounted bath filler MDBW103

#### Description

Marden dual lever deck mounted bath filler

#### Technical Specification

Max operating pressure: 5.0 bar  
Min operating pressure: 0.2bar

#### Features

- Minimalistic design
- Dual lever operation
- ¼ turn ceramic disk cartridge
- Water flow aerator

SanCeram



### Langley 5 hole bath / shower mixer LLBW103

#### Description

Langley 5 hole deck mounted bath / shower mixer tap with pull out shower handset

#### Technical Specification

Max operating pressure: 5.0 bar  
Min operating pressure: 0.2bar

#### Features

- Minimalistic design
- Twin hot & cold handles & diverter from bath spout to shower hand set
- Single function shower handset
- Supplied with 2m interlocking hose
- Water flow aerator

SanCeram



### 1 1/4" Strainer waste, slotted tail TSWC101 / TSWC102

#### Description

1 1/4" basin strainer waste with slotted tail

#### Product options

- 1 1/4" strainer waste, slotted tail ref. TSWC101
- 1 1/4" strainer waste, unslotted tail ref. TSWC102

#### Features

- Durable chrome plated construction
- Available with slotted and unslotted tails
- Ideal for hand rinse basins where the ability to trap water is not required
- Helps to prevent accidental flooding due to running taps
- Supplied with fixing nut and sealing washer

SanCeram



### 1 1/4" Swivel waste, unslotted tail TSWC103 / TSWC104

#### Description

1 1/4" swivel waste with unslotted tail

#### Product options

- 1 1/4" swivel waste, slotted tail ref. TSWC103
- 1 1/4" swivel waste, unslotted tail ref. TSWC104

#### Features

- Durable chrome plated construction complete with a captive spinning disk
- 1 1/4" with the option of slotted and unslotted tails
- Fits all 1 1/4" basin waste outlets

SanCeram



### 1 1/4" Plug and chain waste, unslotted tail TSWC105 / TSWC106

#### Description

1 1/4" plug and chain waste with unslotted tail

#### Product options

- 1 1/4" plug and chain waste, slotted tail ref. TSWC105
- 1 1/4" plug and chain waste, unslotted tail ref. TSWC106

#### Features

- Durable chrome plated construction complete with a rubber plug with chain and securing bolt
- 1 1/4" with the option of slotted and unslotted tails
- Fits all 1 1/4" basin waste outlets

SanCeram



### 1 1/4" Click-clack waste, unslotted tail TSWC107 / TSWC108

#### Description

1 1/4" click-clack basin waste with latching press-top

#### Product options

- 1 1/4" click-clack waste, slotted tail ref. TSWC107
- 1 1/4" click-clack waste, unslotted tail ref. TSWC108

#### Features

- Durable chrome plated construction complete with a press top action
- 1 1/4" with the option of slotted and unslotted tails
- Fits all 1 1/4" basin waste outlets

SanCeram



### 1 1/2" Strainer waste, unslotted tail TSWC109 / TSWC118

#### Description

1 1/2" sink strainer waste with unslotted tail

#### Product option

- 1 1/2" sink strainer waste, unslotted tail with fixing kit ref. TSWC109
- 1 1/2" sink strainer waste, slotted tail with fixing kit ref. TSWC118

#### Features

- Durable chrome plated construction
- Unslotted tails
- Fits all 1 1/2" basin waste outlets

SanCeram



### 1 1/4" Ceramic topped click-clack waste, slotted tail TSWC101 / TSWC102

#### Description

1 1/4" basin ceramic topped click-clack waste with slotted tail

#### Product options

- 1 1/4" ceramic topped waste, slotted tail ref. TSWC120
- 1 1/4" ceramic topped waste, unslotted tail ref. TSWC121

#### Features

- Durable chrome plated construction
- Available with slotted and unslotted tails
- White ceramic topped to match basin
- Supplied with fixing nut and sealing washer

SanCeram



### Overflow adapter TSWC111

#### Description

Plastic waste overflow adaptor

#### Features

- Compatible with TSWC101, TSWC103 and TSWC108
- To be used with MDWB107 and LLWB107

SanCeram



### 1 1/4" Conventional metal bottle trap TSWC112

#### Description

1 1/4" chrome plated brass bottle trap

#### Features

- Chrome plated brass body for durability
- Connects to a standard 32mm waste pipe
- Fits all 1 1/4" basin wastes

SanCeram



### 1 1/4" Modern chrome plated bottle trap TSWC114

#### Description

1 1/4" modern chrome plated brass bottle trap

#### Features

- Chrome plated brass body for durability
- Connects to a standard 32mm waste pipe
- Fits all 1 1/4" basin wastes



### Plastic resealing bottle trap A10R / C10R

#### Description

Plastic resealing bottle trap

#### Product option

- 1 1/4" Plastic bottle trap ref. A10R
- 1 1/2" Plastic bottle trap ref. C10R

#### Features

- Impact resistant plastic construction which provides a 75mm water seal
- Simple non-mechanical action ensures retention of an adequate water seal even under extreme symphonic conditions





# Showers & Baths

SanCeram

**Thermostatic bar shower and slider rail SHWR111****Description**

Thermostatic bar shower with slider rail, hose and head

**Technical Specification:**

Max operating pressure: 5.0 bar  
Min operating pressure: 0.35 bar

**Features**

- TMV2 approved
- WRAS approved
- Safe cool to touch body
- 38°C temperature hot stop with override facility
- Includes patented Satinjet handset
- Adjustable brackets on riser kit
- 1.5m easy clean hose
- 9ltr/min flow regulator supplied



DEVA

**Vision concentric shower pack VSNCCONT03****Description**

Vision concentric shower valve with multi-function shower kit

**Technical Specification:**

Max operating pressure: 5.0 bar  
Min operating pressure: 0.1 bar

**Features**

- TMV2 approved
- Concealed and exposed shower valve option in one box
- Multi-mode handset included
- Includes wall union for concealed installations
- 1.5m easy clean hose



iStandard

**Alto ecotherm shower pack A4741****Description**

Alto Ecotherm thermostatic shower pack, includes fast fix wall bracket and 3 function shower kit

**Technical Specification:**

Max operating pressure: 10.0 bar  
Min operating pressure: 0.2 bar

**Features**

- TMV2 approved
- WRAS approved
- Cool touch body
- Eco flow button for 50% water usage
- 40°C temperature hot stop
- 8ltr/min flow regulator supplied





SanCeram



## Sequential lever operated concealed shower valve SHWR112

### Description

Sequential concealed shower valve with built-in TMV3 control

### Technical Specification:

Max operating pressure: 5.0 bar  
Min operating pressure: 0.2 bar

### Product Options

- Exposed mixer ref. SHWR113
- Concealed mixer ref. SHWR112

### Features

- HBN / HTM compliant (concealed version)
- DDA compliant (concealed version)
- WRAS approved
- TMV3 approved
- Factory set at 43°C
- Fail safe hot & cold supplies
- 6ltr/min flow regulator supplied

HBN compliant  
see pages 87-90

Doc M compliant  
see pages 77-86

Armitage  
Shanks

## Contour 21 shower mixer A4129

### Description

Contour 21 thermostatic sequential lever operated shower mixer

### Technical Specification:

Max operating pressure: 10.0 bar  
Min operating pressure: 0.2 bar

### Features

- HBN / HTM compliant
- WRAS approved
- DDA compliant
- TMV3 approved
- 7.5ltr/min flow rate at 3 bar pressure

HBN compliant  
see pages 87-90

Doc M compliant  
see pages 77-86

Armitage  
Shanks

## Avon 21 self closing shower valve B8266

### Description

Avon 21 self closing push button shower valve for pre-mixed water

### Technical Specification:

Max operating pressure: 10.0 bar  
Min operating pressure: 0.2 bar

### Features

- DDA compliant
- WRAS approved
- Water saving
- Top or bottom supply

Doc M compliant  
see pages 77-86

iIdeal  
STANDARD

## Trevi CTV shower lever mixer A3084/A3085

### Description

Trevi CTV exposed thermostatic shower mixer with extended lever

### Technical Specification:

Max operating pressure: 10.0 bar  
Min operating pressure: 0.2 bar

### Product Options

- Exposed mixer ref. A3084
- Concealed mixer ref. A3085

### Features

- WRAS approved
- TMV3 approved
- DDA compliant (concealed version)
- Extended easy use lever
- Temperature safety stop

Doc M compliant  
see pages 77-86

DEVA



## Vision thermostatic valve

VSNVSEQ02/ VSNVSEQ01

### Description

Vision thermostatic sequential flow and temperature controlled concealed lever shower valve

### Technical Specification:

Max operating pressure: 10.0 bar  
Min operating pressure: 0.2 bar

### Product Options

- Exposed mixer ref. VSNVSEQ01
- Concealed mixer ref. VSNVSEQ02

### Features

- HBN / HTM compliant (concealed version)
- DDA compliant (concealed version)
- WRAS approved
- TMV3 approved
- Sequential lever operation

HBN  
compliant  
see pages  
87-90

Doc M  
compliant  
see pages  
77-86

SanCeram



## SanCeram self closing shower valve

SHWR122/ SHWR123

### Description

Self closing shower valve for pre-mixed water

### Technical Specification:

Max operating pressure: 5.0 bar  
Min operating pressure: 0.1 bar

### Product Options

- Concealed valve ref. SHWR122
- Exposed valve ref. SHWR123

### Features

- DDA compliant (concealed version)
- WRAS approved
- Water saving
- 15 second flow time at 1 bar pressure
- Supplied with 6ltr/min flow regulators

Doc M  
compliant  
see pages  
77-86

DEVA



## Contemporary shower valve ROUVDUAT01

### Description

Contemporary dual control concealed shower valve.

### Technical Specification:

Max operating pressure: 5.0 bar  
Min operating pressure: 0.3 bar

### Features

- Turn operation
- Separate flow & temperature controls
- Chrome plated metal concealing plate

METHVEN



## Kaha concealed 2 outlet mixer valve KAHA2VDIV

### Description

Kaha concealed mixer valve with diverter for dual outlets

### Technical Specification:

Max operating pressure: 5.0 bar  
Min operating pressure: 0.2 bar

### Features

- WRAS approved
- TMV3 approved
- 38°C temperature stop with override facility
- Diverter cartridge to two outlets
- Brass concealing plate
- 7ltr/min flow regulator supplied



## SanCeram



### Grab rail based shower kit SHWR115

#### Description

900mm grab rail based shower kit for less able users available with a white rail

#### Technical Specification:

Max operating pressure: 5.0 bar  
Min operating pressure: 1.0 bar

#### Features

- DDA compliant
- HBN / HTM compliant
- 8ltr/min flow restrictor supplied
- 2m shower hose

**HBN compliant**  
see pages 87-90

**Doc M compliant**  
see pages 77-86

DEVA



### Chrome plated 3-function kit SIGKITM02

#### Description

Chrome plated 3 function 'signature' shower kit

#### Technical Specification:

Max operating pressure: 5.0 bar  
Min operating pressure: 0.3 bar

#### Features

- DDA compliant
- HBN / HTM compliant
- 1.5m standard hose
- Hose retainer and soap dish included
- Adjustable brackets on riser kit

**HBN compliant**  
see pages 87-90

**Doc M compliant**  
see pages 77-86

Armitage  
Shanks



### Armaglide 2 shower kit B9306

#### Description

Shower kit for exposed or concealed shower valves with single or three functions shower head

#### Features

- DDA compliant
- HBN / HTM compliant
- 1.75m smooth easy clean hose
- 8 litre/min flow restrictor
- Hose retaining ring

**HBN compliant**  
see pages 87-90

**Doc M compliant**  
see pages 77-86

DEVA



### Vision diverter shower pack VCTSDEF

#### Description

Vision bar shower with diverter to fixed head & handset

#### Technical Specification:

Max operating pressure: 5.0 bar  
Min operating pressure: 1.5 bar

#### Features

- 38°C temperature stop with override facility
- Separate flow & temperature control
- Integral diverter to fixed head or handset
- Single mode shower head with swivel joint
- 1.5m double interlocking hose
- Includes easy fit connections





SanCeram



### Anti-ligature fixed shower head SHWR118

#### Description

Anti-vandal anti-ligature fixed shower head  
Can also be used as a high security water outlet for basins

#### Technical Specification:

Max operating pressure: 5.0 bar  
Min operating pressure: 0.5 bar

#### Features

- HBN / HTM compliant
- WRAS approved
- DDA compliant
- Anti-ligature design
- Brass body
- Hidden wall fixing for security

HBN  
compliant  
see pages  
87-90

SanCeram



### 200mm circular shower head SHWR121

#### Description

200mm circular shower head

#### Technical Specification:

Max operating pressure: 5.0 bar  
Min operating pressure: 0.1 bar

#### Compatible Extras

- Wall mounted shower arm ref. SHWR120

#### Features

- Minimalistic design
- 200mm chrome plated circular shower head
- Single function shower head
- Rub clean nozzles

SanCeram



### Vandal resistant shower head SHWR124

#### Description

Vandal resistant short projection shower head

#### Technical Specification:

Max operating pressure: 10.0 bar  
Min operating pressure: 0.2bar

#### Features

- HBN / HTM compliant
- DDA compliant
- WRAS approved
- Brass body
- Hidden wall fixing for security
- Concealed or exposed fixing connection
- Adjustable spray pattern

HBN  
compliant  
see pages  
87-90

DEVA



### Outlet for concealed showers SPE01

#### Description

Chrome wall union for connecting concealed shower valves to shower hoses and handsets

#### Features

- Chrome plated finish
- Supplied with trim plate, fixing nut and sealing ring
- Can be paired with any concealed shower valves
- Suitable for all sectors

SanCeram

SanCeram shower trays



Description

SanCeram 25mm low profile shower tray

Required Extras

- Shower Waste ref: SHWT101

Features

- Natural stone construction
- 25mm high for low step in
- Ideal for in-floor wet room look
- Install in the floor or on the floor for flexibility
- Gel coated so the tray is not cold to the touch
- Available in 4 styles

Square	Height	A	B	Code
	25mm	800mm	800mm	STSQ808
	25mm	900mm	900mm	STSQ909

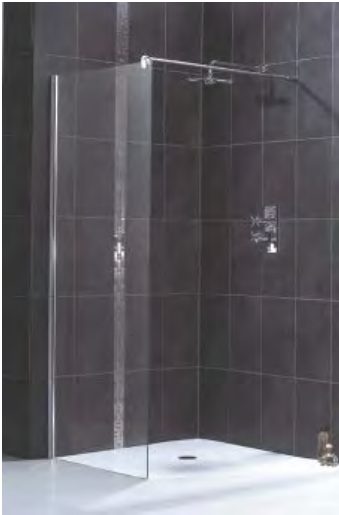
Rectangular	Height	A	B	Code
	25mm	1000mm	800mm	STRC108
	25mm	1000mm	900mm	STRC109
	25mm	1100mm	800mm	STRC118
	25mm	1100mm	900mm	STRC119
	25mm	1200mm	760mm	STRC127
	25mm	1200mm	800mm	STRC128
	25mm	1200mm	900mm	STRC129
	25mm	1400mm	800mm	STRC148
	25mm	1400mm	900mm	STRC149
	25mm	1500mm	800mm	STRC158
	25mm	1500mm	900mm	STRC159
	25mm	1600mm	800mm	STRC168
	25mm	1600mm	900mm	STRC169
	25mm	1700mm	760mm	STRC177
25mm	1700mm	800mm	STRC178	
25mm	1700mm	900mm	STRC179	

Quadrant	Height	A	B	Code
	25mm	800mm	800mm	STQD808
	25mm	900mm	900mm	STQD909

Offset Quadrant	Height	A	B	Code
	Left	25mm	1200mm	800mm
	Right	25mm	1200mm	800mm
	Left	25mm	1200mm	900mm
	Right	25mm	1200mm	900mm



## SanCeram




## SanCeram shower wall

**Description**

SanCeram shower wall panel complete with support arm

**Features**

- 6mm toughened glass
- Reversible
- Support arm can be cut to size
- Aquaglean coated glass for easy clean
- 20mm adjustment for fitting ease

Shower wall	Height	Length	Entry*	Code
	1900mm	800mm	1195mm	SHSW80
	1900mm	900mm	1195mm	SHSW90
	1900mm	1000mm	1195mm	SHSW100
	1900mm	1200mm	1195mm	SHSW120

\* Max

## SanCeram



## Chartham sliding shower doors

**Description**


Sliding shower door for installation into a recess

**Optional Extras**

- 760mm side panel ref. CHSP76END
- 800mm side panel ref. SHWR105
- 900mm side panel ref. CHSP90END

**Features**

- 6mm toughened glass
- Reversible
- Magnetic seals
- Easy clean bottom rollers
- Chrome design handle
- 20mm adjustment for fitting ease

Sliding Door	Height	Width	Entry	Code
	1850mm	1000mm	360mm	CHSP10SLD
	1850mm	1100mm	407mm	CHSP11SLD
	1850mm	1200mm	460mm	SHWR106

SanCeram



SanCeram pivot shower doors

Description


Pivot shower door for installation into a recess

Optional Extras

- 760mm side panel ref. SHSID76
- 800mm side panel ref. SHSID80
- 900mm side panel ref. SHSID90

Features

- 6mm toughened glass
- Reversible
- Magnetic seal
- Aquaglam coated glass for easy clean
- Chrome design handle
- Semi-framed design for maximum strength
- 20mm adjustment for fitting ease

Pivot Door	Height	Width	Entry	Code
	1850mm	760mm	519mm	SHPV760
	1850mm	800mm	555mm	SHPV800
	1850mm	900mm	555mm	SHPV900

SanCeram



SanCeram bi-fold shower doors

Description


Bi-fold shower door for installation into a recess

Optional Extras

- 760mm side panel ref. SHSID76
- 800mm side panel ref. SHSID80
- 900mm side panel ref. SHSID90

Features

- 6mm toughened glass
- Reversible
- Magnetic seal
- Aquaglam coated glass for easy clean
- Chrome design handle
- Semi-framed design for maximum strength
- 20mm adjustment for fitting ease

Bi-fold Door	Height	Width	Entry	Code
	1850mm	760mm	508mm	SHBIF76
	1850mm	800mm	560mm	SHBIF80
	1850mm	900mm	652mm	SHBIF90

## SanCeram



### SanCeram corner entry enclosure

#### Description

SanCeram shower enclosure with sliding 2 door corner entry

#### Features

- 6mm toughened glass
- Reversible
- Magnetic seal
- Aquaglean coated glass for easy clean
- Chrome design handle
- Semi-framed design for maximum strength
- 20mm adjustment for fitting ease

Corner Entry Enclosure	Height	Size	Entry	Code
	1850mm	800 x 800mm	401mm	SHCR808
	1850mm	900 x 900mm	425mm	SHCR909

## SanCeram




### SanCeram quadrant enclosure

#### Description

Quadrant shower enclosure with sliding 2 door corner entry

#### Features

- 6mm toughened glass
- Reversible
- Magnetic seal
- Aquaglean coated glass for easy clean
- Chrome design handle
- Semi-framed design for maximum strength
- 20mm adjustment for fitting ease

Quadrant Enclosure	Height	Size	Entry	Code
	1850mm	800 x 800mm	415mm	SHQD808
	1850mm	900 x 900mm	534mm	SHQD909
	1850mm	1200 x 800mm	473mm	SHQD128
	1850mm	1200 x 900mm	530mm	SHQD129



## Tempo Arc E2563

### Description

Tempo Arc inset acrylic 1700mm x 700mm bath.

### Compatible Extras

- Waste & overflow kit ref. E1486
- 700mm end panel ref. E4140
- 1700mm side panel ref. E4130

### Features

- White acrylic
- Inset bath
- No tap holes (can be drilled on site)
- Fully encapsulated baseboard



## Concept double ended bath E7299/ E7358

### Description

Concept inset double ended acrylic 1700mm x 750mm bath.

### Product Options

- 2 tap hole version ref. E7299
- No tap hole version ref. E7358

### Compatible Extras

- Pop-up waste & overflow ref. E5795
- Pop-up waste operating handle and cover ref. E5800
- 750mm end panel ref. E3195
- 1700mm side panel ref. E3194

### Features

- White acrylic
- Inset bath
- Double ended (central waste)
- Fully encapsulated baseboard



## Sandringham 21 Steel Bath S1835/ S1838/ S1839

### Description

Sandringham 21 steel 1700mm x 700mm bath with chrome plated grips.

### Product Options

- Two tap hole, anti-slip version ref. S1835
- No tap hole, anti-slip version ref. S1838
- 2 tap hole, anti-slip, water saving (130 ltr capacity) version ref. S1839

### Features

- White porcelain enamelled steel
- Slip resistant base
- Inset bath
- Capacity 156 ltrs
- Water saving option available



### Compatible Extras

- Bath waste & overflow kit ref. S8840
- 700mm end panel ref. S0916
- 1700mm side panel ref. S0915





**Approved  
Doc M**



## Equality Act

This Act requires that every business providing goods or services to the public must take reasonable steps to ensure less able people have equal access to all aspects of their premises.

From December 2006 all commercial and public buildings were required to be adapted for use by people with a physical or mental disability.

The washroom requirements necessary for compliance with this Act are set out in Approved Document M, 2015 of the Building Regulations.

## Approved Document M overview

**Private residences** As outlined in Section 10.3 of Part M4

**Public/commercial buildings** As described in section 7 of BS 6465 and section 5.7 of part M3 of the building regulations.

## The Sanitaryware Company solution

The primary characteristics of a modern washroom suitable for disabled use are shown in the example below, although there are many possible permutations. Fit for purpose is essential and sanitary items must be easy to operate, tailored to a specific need and correctly positioned.

The following pages (79-86) show a range of Doc M compliant 'packs' available from The Sanitaryware Company.

The Sanitaryware Company Technical Sales Team is available to discuss your Doc M requirements and are experienced in providing compliant solutions across a wide range of sectors.

- 1 Powder coated steel grab rails
- 2 Rails available in alternative colours
- 3 Hinged support arm suitable for loads up to 120Kg
- 4 Spatula style cistern lever for ease of use
- 5 6/3 litre dual flush cistern supplied. Effective flush volume of 4.5 litres
- 6 Solid seat fixing bar to avoid the need for seat retaining buffers
- 7 WC seats available in alternative colours
- 8 TMV3 approved sequential basin mixer tap for ease of use and guaranteed safety
- 9 Tap positioned to be close to WCuser
- 10 Basin without overflow hole to prevent bacteria build up
- 11 Basin supplied with strainer waste and resealing bottle trap
- 12 WC pan designed with extended plumbing connections to avoid blind fix errors
- 13 WC floor fixings supplied
- 14 Rimless flush pan bowl for the ultimate in hygiene, see page 15 for details





## SanCeram Doc M pack, back to wall

### Description

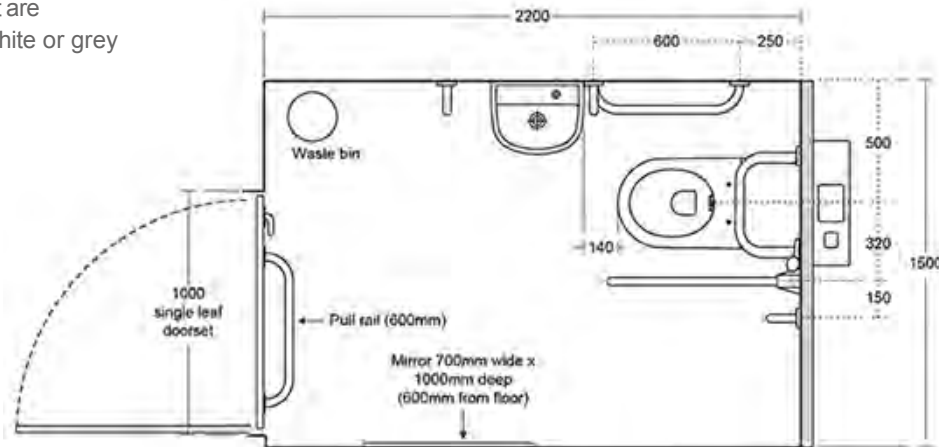
A complete universal access WC suite. Provided with a back to wall rimless WC pan and concealed dual flush dimple lever operated cistern, handed basin with sequential TMV3 mixer tap, waste and trap, and all required grab rails and support arms.

### Product options

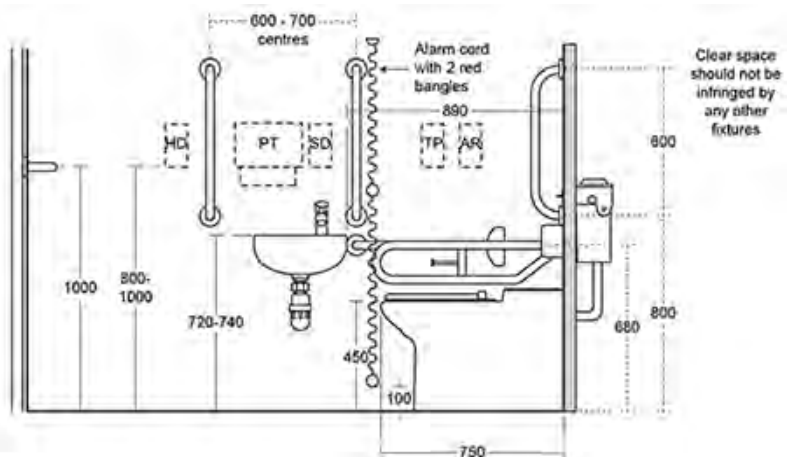
- Blue LH ref. SCDMBTWLB
- White LH ref. SCDMBTWLW
- Grey LH ref. SCDMBTWLG
- Stainless Steel LH ref. SCDMBTWLSS
- Blue RH ref. SCDMBTWRB
- White RH ref. SCDMBTWRW
- Grey RH ref. SCDMBTWRG
- Stainless Steel RH ref. SCDMBTWRSS

### Features

- Back to wall Doc M compliant pack available either left or right handed
- Grab rails and seat are available in blue, white or grey
- LABC approved



HD - Possible position for automatic hand dryer  
SD - Soap dispenser  
PT - Paper towel dispenser  
AR - Alarm reset button  
TP - Toilet paper dispenser



## Doc M BTW pack LH/RH

### Description

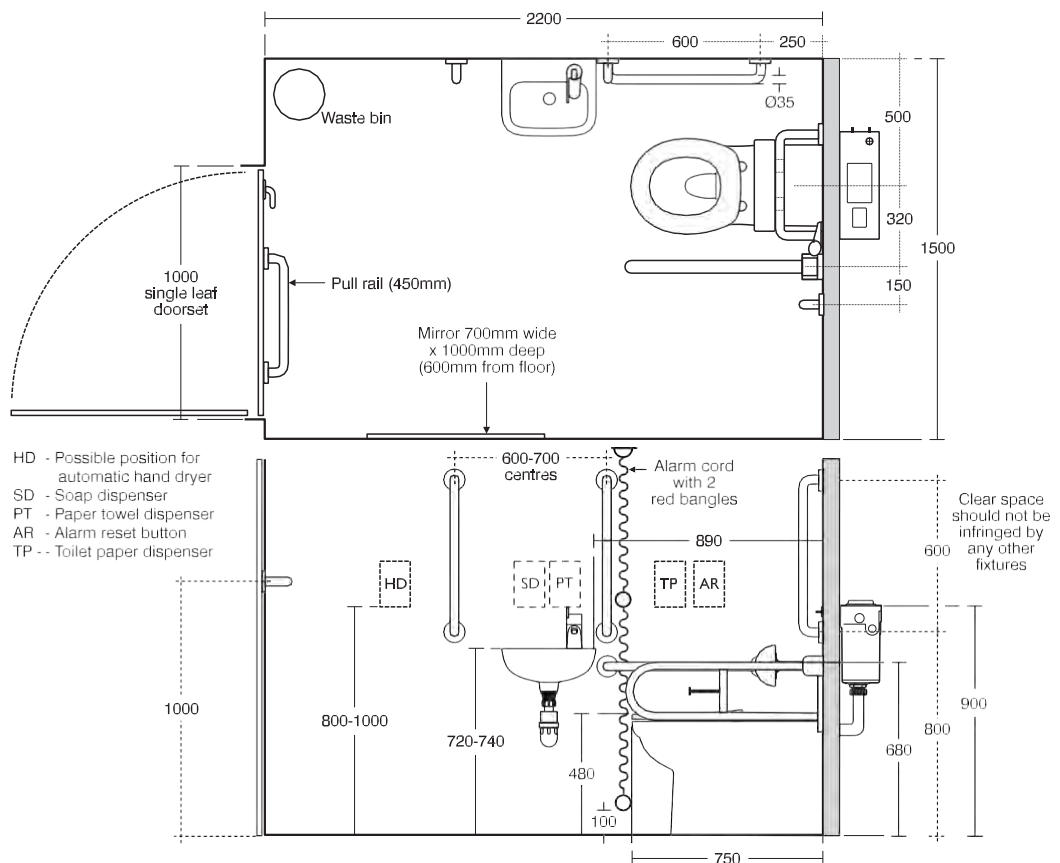
Doc M back to wall pack comprising 750mm rimless WC and seat, 4.5ltr concealed cistern, hand rinse basin and hangers, basin mixer, strainer waste, bottle trap, grab rails and hinged support arm all in 1 box

### Product options

- White LH ref. S0685AC
- Blue LH ref. S0685LI
- White RH ref. S0686AC
- Blue RH ref. S0686LI

### Features

- Back to wall Doc M compliant pack available either left or right handed
- Grab rails and seat are available in blue or white
- Lantac approved



## SanCeram Doc M pack, close coupled

### Description

A complete universal access WC suite. Provided with a close coupled rimless WC pan with dual flush lever operated cistern, handed basin with sequential TMV3 mixer tap, waste and trap, and all required grab rails and support arms.

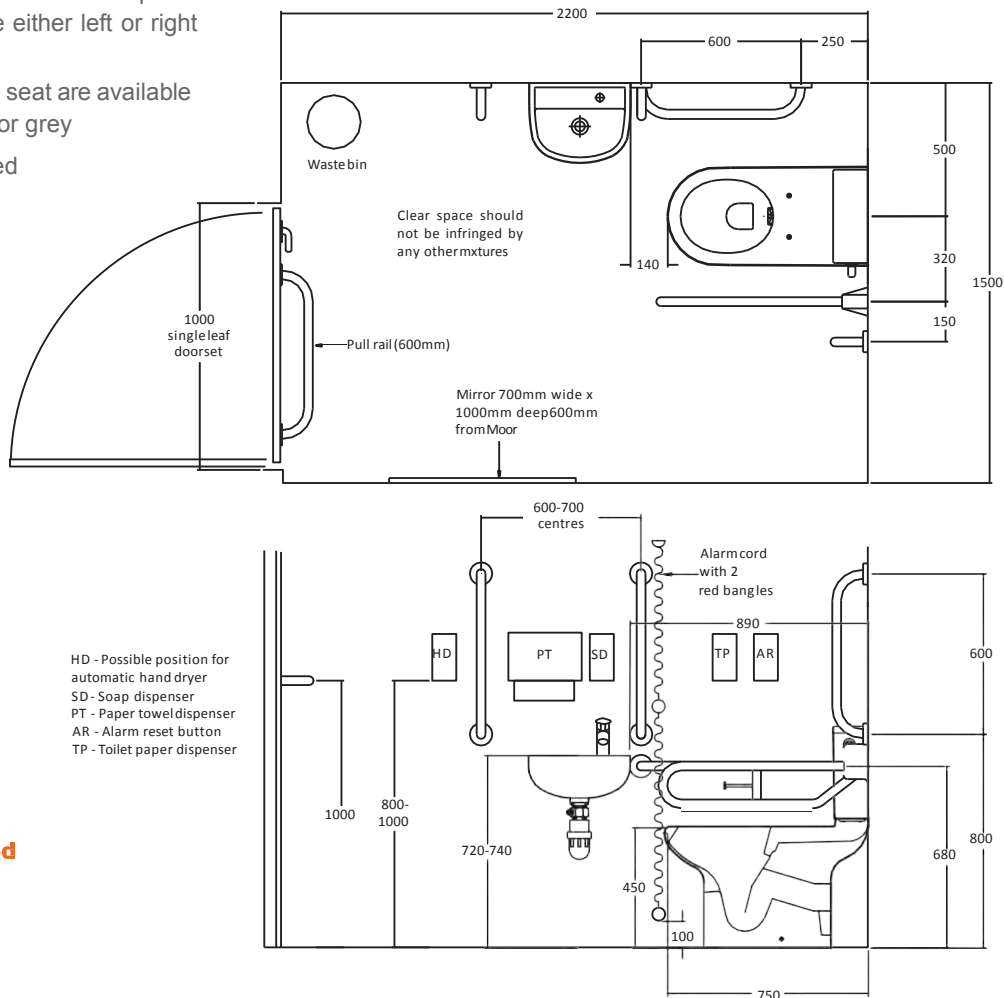
### Product options

- Blue LH ref. SCDMCCLB
- White LH ref. SCDMCCLW
- Grey LH ref. SCDMCCLG
- Stainless Steel LH ref. SCDMCCLSS
- Blue RH ref. SCDMCCRB
- White RH ref. SCDMCCRW
- Grey RH ref. SCDMCCRG
- Stainless Steel RH ref. SCDMCCRSS



### Features

- Close coupled Doc M compliant pack available either left or right handed
- Grab rails and seat are available in blue, white or grey
- LABC approved



## Doc M close coupled LH/RH pack

### Description

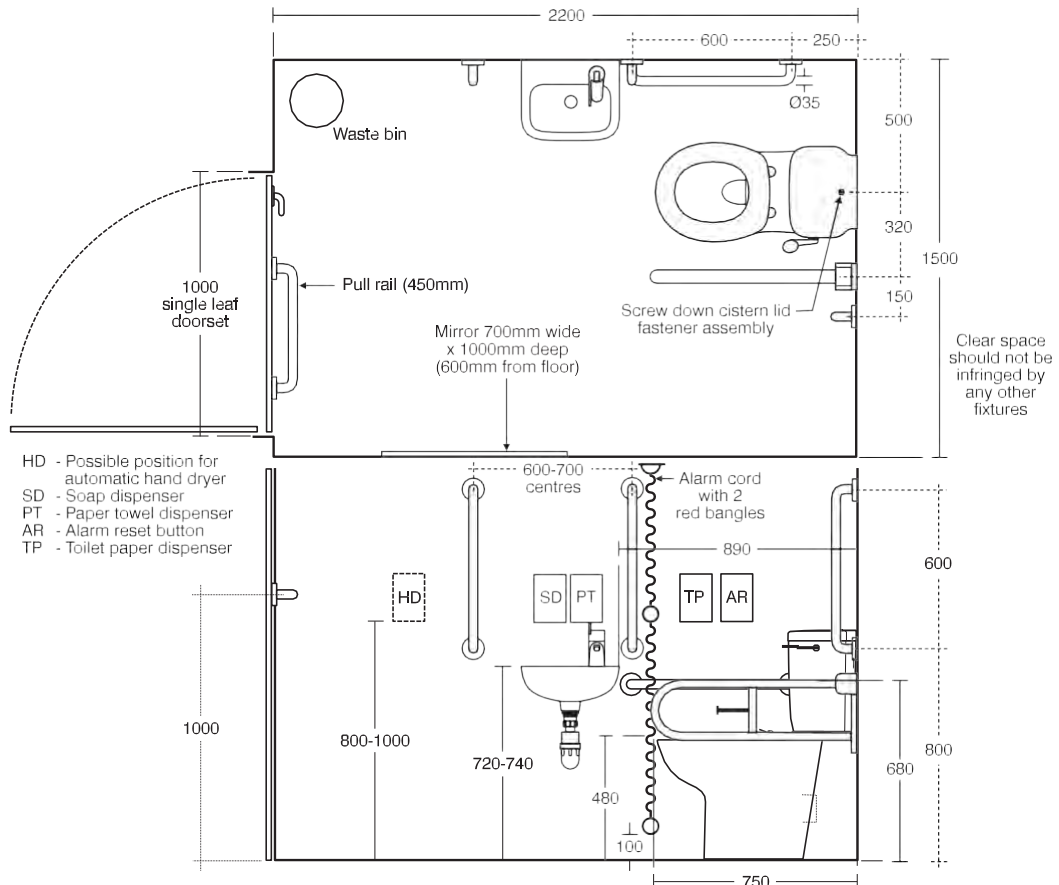
Doc M close coupled pack comprising 750mm WC & seat, 4.5ltr cistern and lever, hand rinse basin and hangers, basin mixer, strainer waste, bottle trap, grab rails and hinged support arm all in 1 box.

### Product options

- White LH ref. S0683AC
- Blue LH ref. S0683LI
- White RH ref. S0684AC
- Blue RH ref. S0684LI

### Features

- Close coupled Doc M compliant pack available either left or right handed
- Grab rails and seat are available in blue or white
- Lantac approved





## Doc M showerpack

### Description

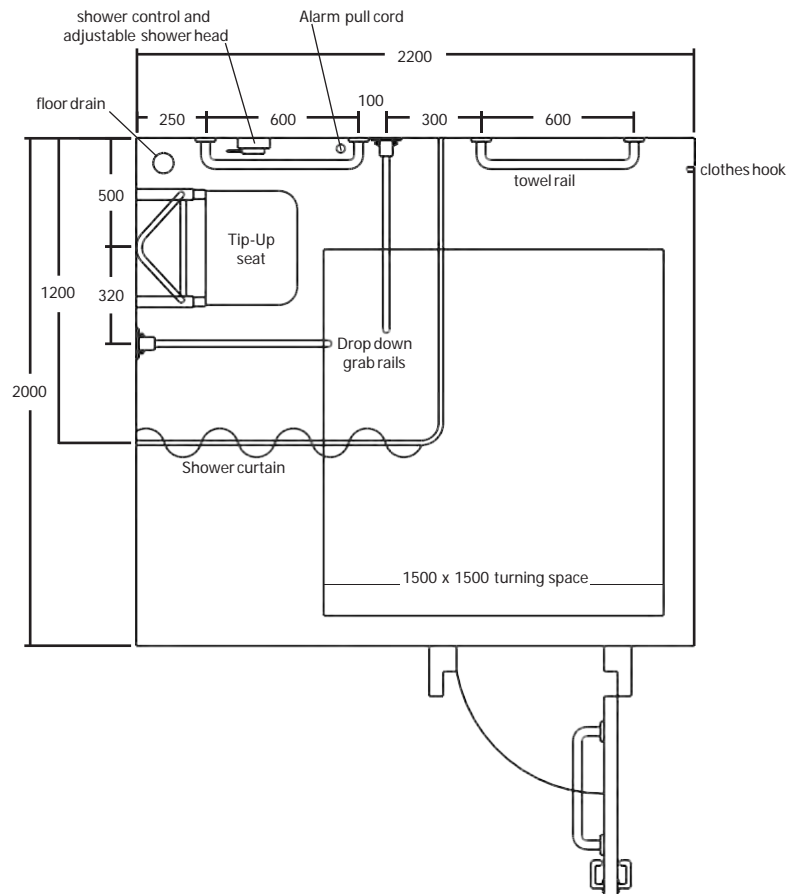
A complete Doc M shower pack, supplied in one box with a recessed TMV3 sequential shower valve, fixed shower head, handset and hose, diverter valve, grab rails, drop down support arms, shower curtain and rail, seat and a robe hook.

### Product options

- Concealed, white rails ref. SCDMSHCWH
- Concealed, blue rails ref. SCDMSHCBL
- Exposed, white rails ref. SCDMSHEWH
- Exposed, blue rails ref. SCDMSHEBL

### Features

- Doc M compliant shower pack available with either an exposed or concealed shower valve
- Grab rails are available in blue or white



## Doc M showerroom pack

### Description

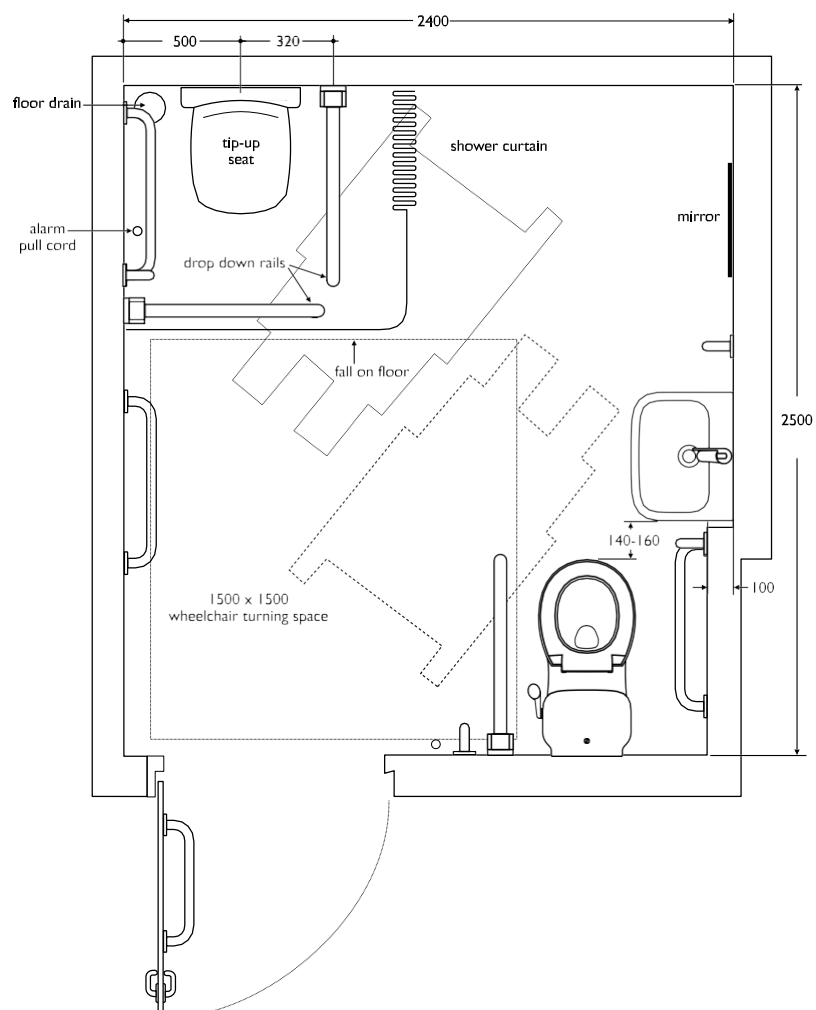
Doc M shower room pack with folding shower seat and back support in grey, 3x600mm grab rails, 2 hinged rails and multi system 450mm hand rail, lever operated TMV3 thermostatic mixer for concealed supplies, multi system handset holder, handset and hose, fixed short projection shower head, lever operated diverter, 1200x1200mm shower curtain, angle rail and clothes hook

### Product options

- White ref. S6960AC
- Blue ref. S6960LI

### Features

- Doc M compliant shower pack
- Grab rails are available in blue or white







## 600mm straight grab rail

### Description

Powder coated 600mm grab rail

### Product Options

- White ref. GRAB102
- Blue ref. GRAB105
- Light grey ref. GRAB108
- Grey ref. GRAB111

### Features

- Exposed fixings
- 4 colour options
- Suitable for all sectors
- Not suitable for wet areas



## 450mm straight grab rail

### Description

Powder coated 450mm grabrail

### Product Options

- White ref. GRAB101
- Blue ref. GRAB104
- Light grey ref. GRAB107
- Grey ref. GRAB110

### Features

- Exposed fixings
- 4 colour options
- Suitable for all sectors
- Not suitable for wet areas



## 800mm hinged grab rail with toilet roll holder

### Description

Powder coated 800mm hinged grabrail with toilet roll holder

### Product Options

- White ref. GRAB103
- Blue ref. GRAB106
- Light grey ref. GRAB109
- Grey ref. GRAB112

### Features

- Exposed fixings
- 4 colour options
- Suitable for all sectors
- Not suitable for wet areas



## Backrest GRBR101/GRBR102/GRB103

### Description

Powder coated backrest rail

### Product Options

- White ref. GRBR101
- Blue ref. GRBR102
- Grey ref. GRB103

### Features

- Complete with a white cushion
- Exposed fixings
- Suitable for all sectors



### Grab rail polished s. steel GRAB113/GRAB114/GRAB115

#### Description

Powder coated stainless steel grabrail

#### Features

- 450mm straight grabrail/600mm grabrail/800mm hinged rail
- Concealed fixings
- Suitable for all sectors



### Grab rail kit, white GRAB116

#### Description

Powder coated grabrail kit in white

#### Features

- Kit includes: 5 x 600mm grabrail and 800mm hinged rail complete with a toilet roll holder
- Exposed fixings
- Suitable for all sectors
- Not suitable for wet areas



### Grab rail kit, blue GRAB117

#### Description

Powder coated grabrail kit in blue

#### Features

- Kit includes: 5 x 600mm grabrail and 800mm hinged rail complete with a toilet roll holder
- Exposed fixings
- Suitable for all sectors
- Not suitable for wet areas



### Grab rail kit, grey GRAB118

#### Description

Powder coated grabrail kit in grey

#### Features

- Kit includes: 5 x 600mm grabrail and 800mm hinged rail complete with a toilet roll holder
- Exposed fixings
- Suitable for all sectors
- Not suitable for wet areas



#### LRV Ratings

White - 94

Blue - 20

Dark Grey - 09

Light Grey - 20

#### RAL Number

White - 9016

Blue - 5011

Dark Grey - 7016

Light Grey - 7005



# Healthcare

**FRANKE**

## Disposal unit DU G22041N

### Description

Franke stainless steel disposal unit 600mm x 600mm with back outlet for concealed cistern.

### Essential items

- 9ltr cistern ref. F3018
- Chain pull for flush ref. F2055
- Flush pipe ref. B3022
- Plastic P trap ref. B4042
- Stainless steel waste ref. F2068
- Cantilever brackets (pair) ref. G26523LR

**FRANKE**

## Disposal unit DU H G22016L/R

### Description

Franke stainless steel disposal unit with drainer. 1000mm x 600mm with back inlet for concealed cistern.

### Product options

- Disposal unit with Left hand drainer ref. G22016L
- Disposal unit with Right hand drainer ref. G22016R

### Essential items

- 9ltr cistern ref. F3018
- Chain pull for flush ref. F2055
- Flush pipe ref. B3022
- Plastic P trap ref. B4042
- Stainless steel waste ref. F2068
- Cantilever brackets (pair) ref. G26523LR

**FRANKE**

## Disposal unit DU HS G22018L/R

### Description

Franke stainless steel disposal unit with sink and drainer. 1600mm x 600mm with back inlet for concealed cistern.

### Product options

- Disposal unit with Left hand drainer ref. G22018L
- Disposal unit with Right hand drainer ref. G22018R

### Essential items

- 9ltr cistern ref. F3018
- Chain pull for flush ref. F2055
- Flush pipe ref. B3022
- Plastic P trap ref. B4042
- Stainless steel waste ref. F2068
- Cantilever brackets (pair) ref. G26523LR
- 1 1/2" plastic bottle trap ref. C10R
- 1 1/2" unslotted strainer waste ref. TSWC109

**FRANKE**

## Plaster sink PS H G22000L/R

### Description

Franke stainless steel plaster sink and drainer 1200mm x 600mm with sump, basket and lid

### Product options

- Plaster sink with left hand drainer ref. G22000L
- Plaster sink with right hand drainer ref. G22000R

### Essential items

- Stainless steel waste ref. F2068
- Cantilever brackets (pair) ref. G26523LR
- 1 1/2" plastic bottle trap ref. C10R



**FRANKE**

## Janitorial unit JU G20055N

### Description

Franke stainless steel janitorial unit incorporating bucket sink, hinged grid, wash basin and single monoblock mixer tap

### Essential items

- Combination waste kit ref. G20051N
- 1 ½" plastic bottle trap ref. C10R
- 1 ¼" plastic bottle trap ref. A10R

**FRANKE**

## Surgeon's scrub troughs SU H1 G22029L/ R

### Description

Franke stainless steel single station surgeons scrub up trough 800mm long with bottom waste outlet

### Essential items

- 1 ½" plastic bottle trap ref. C10R

### Product options

- Trough with Left hand outlet ref. G22029L
- Trough with Right hand outlet ref. G22029R



## Surgeon's scrub troughs SU H2 G22030L/ R

### Description

Franke stainless steel two station surgeons scrub up trough 1600mm long with bottom waste outlet

### Essential items

- 1 ½" plastic bottle trap ref. C10R

### Product options

- Trough with Left hand outlet ref. G22030L
- Trough with Right hand outlet ref. G22030R



## Surgeon's scrub troughs SU H3 G22031L/ R

### Description

Franke stainless steel three station surgeons scrub up trough 2400mm long with bottom waste outlet

### Essential items

- 1 ½" plastic bottle trap ref. C10R

### Product options

- Trough with Left hand outlet ref. G22030L
- Trough with Right hand outlet ref. G22030R



**FRANKE**

## Sink and drainer ST A G22006L/R

### Description

Franke stainless steel single bowl with single drainer sink. No tapholes, 1200mm long.

### Product options

- Sink with left hand drainer ref. G22006L
- Sink with right hand drainer ref. G22006R

### Essential items

- Stainless steel waste ref. F2068
- 1 ½" plastic bottle trap ref. C10R
- Cantilever brackets (pair) ref. G26523LR

**FRANKE**

## Sink and double drainer ST B G22008D

### Description

Franke stainless steel single central bowl with two drainers. No tapholes, 1800mm long

### Essential items

- Stainless steel waste ref. F2068
- 1 ½" plastic bottle trap ref. C10R
- Cantilever brackets (pair) ref. G26523LR

**FRANKE**

## Double sink and drainer ST C G22010L/R

### Description

Franke stainless steel double bowl with single drainer. No tapholes, 1800mm long

### Product options

- Sink with left hand drainer ref. G22010L
- Sink with right hand drainer ref. G22010R

### Essential items

- Stainless steel waste ref. F2068 (2no)
- 1 ½" plastic bottle trap ref. C10R (2no)
- Cantilever brackets (pair) ref. G26523LR

**FRANKE**

## Single bowl sink SK 1 G22002N

### Description

Franke stainless steel single bowl sink, no tapholes 600mm long

### Essential items

- Stainless steel waste ref. F2068
- 1 ½" plastic bottle trap ref. C10R
- Cantilever brackets (pair) ref. G26523LR

**FRANKE**

## Double bowl sink SK 2 G22004N

### Description

Franke stainless steel double bowl sink, no tapholes 1200mm long

### Essential items

- Stainless steel waste ref. F2068 (2no)
- 1 ½" plastic bottle trap ref. C10R (2no)
- Cantilever brackets (pair) ref. G26523LR

Along with the specialist stainless steel units shown on pages 87 to 90, The Sanitaryware Company offer a comprehensive range of porcelain and brassware products to comply with the various parts of HBN as shown in the table, below.



## SanCeram SanCeram SanCeram SanCeram SanCeram

HTM ref	Description	Code	Page
<b>WCs</b>			
WC H	Chartham rimless 480 BTW WC	CHWC104	13
WCHD	Chartham rimless 700 BTW WC	CHWC105	13
WCHD	Chartham rimless 700 WH WC	CHWC117	14
WCHD	Contour 21+ rimless 700 BTW WC	S0437	14
WC H	Contour 21+ rimless WH WC	S0441	16
WC H	Contour 21+ rimless 480 BTW WC	S0440	16
<b>Urinals</b>			
URH	Marden concealed trap urinal	MDUR101	24
URH	Contour urinal	S6110	26
URH	Langley concealed trap urinal	LLUR101	25
<b>Washbasins</b>			
LB G S	Chartham 380 WH basin RHTH	CHWB102	31
LB G S	Chartham 380 WH basin LHTH	CHWB101	31
LB G M	Chartham 500 WH basin RHTH	CHWB105	31
LB G M	Chartham 500 WH basin 2TH	CHWB106	31
LB H M	Chartham 500 WH basin BO	CHWB107	32
LB G S	Contour 21 370 WH basin LHTH	S2473	32
LB G S	Contour 21 370 WH basin RHTH	S2474	32
LB G M	Portman 21 500 basin WH RHTH	S2254	33
LB H M	Contour 21+ 500 WH basin BO	S0430	33

HTM ref	Description	Code	Page
<b>Brassware</b>			
TB H6	HBN thermostatic sensor	SCBW112/123	51
TB H2a	HBN thermostatic lever	SCBW111/122	51
TB H2a	Markwik 21+ HBN lever	A6682	51
TPP1	Avon 21 self closing mono basin mixer	B8861	54
TTP5	Avon 21 self closing pillar pair	B8267	55
TTP5	Self closing pillar	NCT001	55
TPP1	Aquamix C self closing	AQUA202	54
TP6	Sequential TMV3 mixer tap copper tails	SCBW110	56
TP5	Piccolo 21 lever	B8262	60
TP5	DLT short lever	DLT101	60
TB H1	Lever bib	DLT095	61
<b>Showers</b>			
TM1	Sequential lever operated concealed	SHWR112	67
TM1	Contour 21 shower mixer concealed	A4129	67
TM1	Vision thermostatic valve concealed	VSNVSEQ02	68

the  
**sanitaryware**  
company

Unit 1410, Montegu Court  
Kettering Parkway  
Kettering, Northants  
NN15 6XR

tel **01474 338300**  
email [sales@theswc.co.uk](mailto:sales@theswc.co.uk)  
[www.theswc.co.uk](http://www.theswc.co.uk)