

# PreLine 1201 Fuel Prefilter

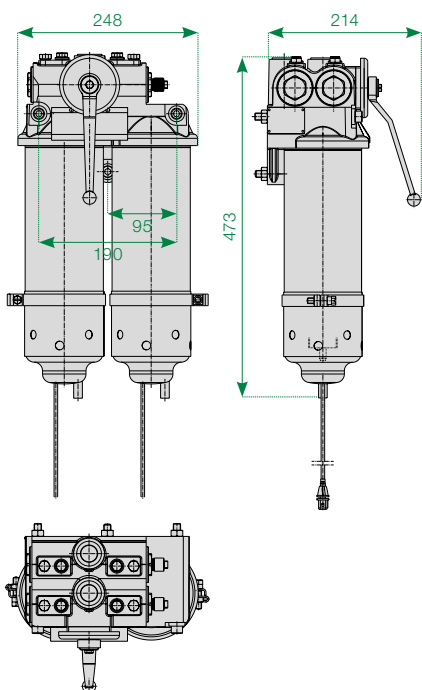
## The Specialist for Marine Engines



MANN+HUMMEL

# Compact and uncompromising: PreLine 1201

Tailor-made for tough operation at sea: the PreLine 1201 fuel prefilter masters volume flow rates of up to 1200 l/h and separates water in compliance with ISO 16 332. It was developed specially for diesel engines in marine applications and has a switchable steel filter head, which enables the filter to be serviced during operation. This switch mechanism is quite simple to operate and is clearly explained with the help of graphics. The PreLine 1201 complies with the most rigorous requirements with regard to flame and splash protection, thus providing the comprehensive safety margins which are essential for marine applications.



The salient features of the PreLine 1201:

- isolated water sensor
- highly compact design
- high ease of maintenance thanks to the clever spin-on concept: compared with the labour-intensive replacement of housing-filter solutions, which usually involves three screw connections per filter element, the spin-on filters from MANN+HUMMEL can be replaced much faster and easier
- attractive, functional design
- combination with a main fuel filter from MANN+HUMMEL ensures optimum engine protection

## Certified in compliance with the SOLAS Convention

Like all other MANN+HUMMEL filters for marine applications, the PreLine 1201 fuel prefilter was designed and classified in compliance with the SOLAS\* Convention. It also has type approval from Germanischer Lloyd.

\*Safety of Life at Sea



# Perfect Performance on Board

In marine applications, fuel filters for diesel engines have to provide peak performance in order to cleanse the fuel, which is usually highly contaminated, of particles and water. In order to protect engines and modern fuel injection systems, very good water separation with a consistently high efficiency factor is required. The well-established PreLine prefilter system from MANN+HUMMEL enhances filtration performance, extends the service life of the main filter and protects the pre-feed pump and the downstream high-pressure pump.

For this important function MANN+HUMMEL has developed Multigrade – a special two-stage filter medium that achieves at least 93% water separation. In the first stage the many water droplets that are emulsified with the fuel are enlarged; the second stage separates these droplets from the fuel using a hydrophobic (water-repellent) surface. The PreLine also removes coarse particles of dirt.

MANN+HUMMEL is a recognised filtration expert and partner for filtration needs. The company offers a wide range of air, oil and fuel filters for combustion engines in marine applications. MANN+HUMMEL also supplies panel filters and bag air filters for HVAC systems.



Photo: Istockphoto.com / © Kevin Miller



Photo: Shutterstock.com / © LLeDo



Photo: Istockphoto.com / © Brad Martin

Photo: Istockphoto.com / © Vichiy44



**Type Approval Certificate**

**GL**

is to certify that the undernoted product(s) has/have been tested in accordance with relevant requirements of the GL Type Approval System

Scale No. 40 947 - 01 HV1

Company MANN+HUMMEL GmbH  
Geschäftsbereich Industriekultur  
Bruckstraße 13  
87418 Spenreith, GERMANY

Description FUEL OIL FILTERS FOR MTU ENGINES OF SERIES 8000  
ACC. TO DRAWING NO. 96 730 02 100 AND 96 730 02 110

Product Category None

Technical Data  
Pressure range up to 8 (bar)  
Temperature range -25 (°C) to 80 (°C)  
Operating media diesel fuel oil acc. to DIN EN 590, ASTM D975 No. 1D or 2D, marine diesel fuel oil to DINC acc. to ISO 8217  
Filter head aluminum casting alloy acc. to DIN EN AC 43000/43100  
Coil spring cast iron, GGG 40 (D 7542), EN-GJ-03-403-10  
Gasket steel sheet, D5342-Z (1.5305)  
synthetic rubber (NBR)

**RANGE OF APPLICATION**  
The above mentioned filter may be used in fuel oil lines on diesel engines only. The GL-Name Part I regarding Signs, Chapter 2, Section 2.0 + 11.0 and Chapter 4, application and the right installation and maintenance are to be in acc. with the instructions of the manufacturer.

**MT-B: Test Requirements for Components and Systems of Mechanical Engineering and Offshore Technology, Edition 2008**  
• Dep. no.: 96 730 02 100 AZ Rev.06, 96 730 02 110 Rev.06, 96 730 02 110 AZ Rev.06, 96 730 02 110 AZ Rev.06, 96 730 02 110 AZ Rev.06, 96 730 02 110 AZ Rev.06  
• WTCF test report: 14050; Burst pressure test report: 2008-05-03  
• Vibration test report: 2005-05-07, Technical documentation and data sheets

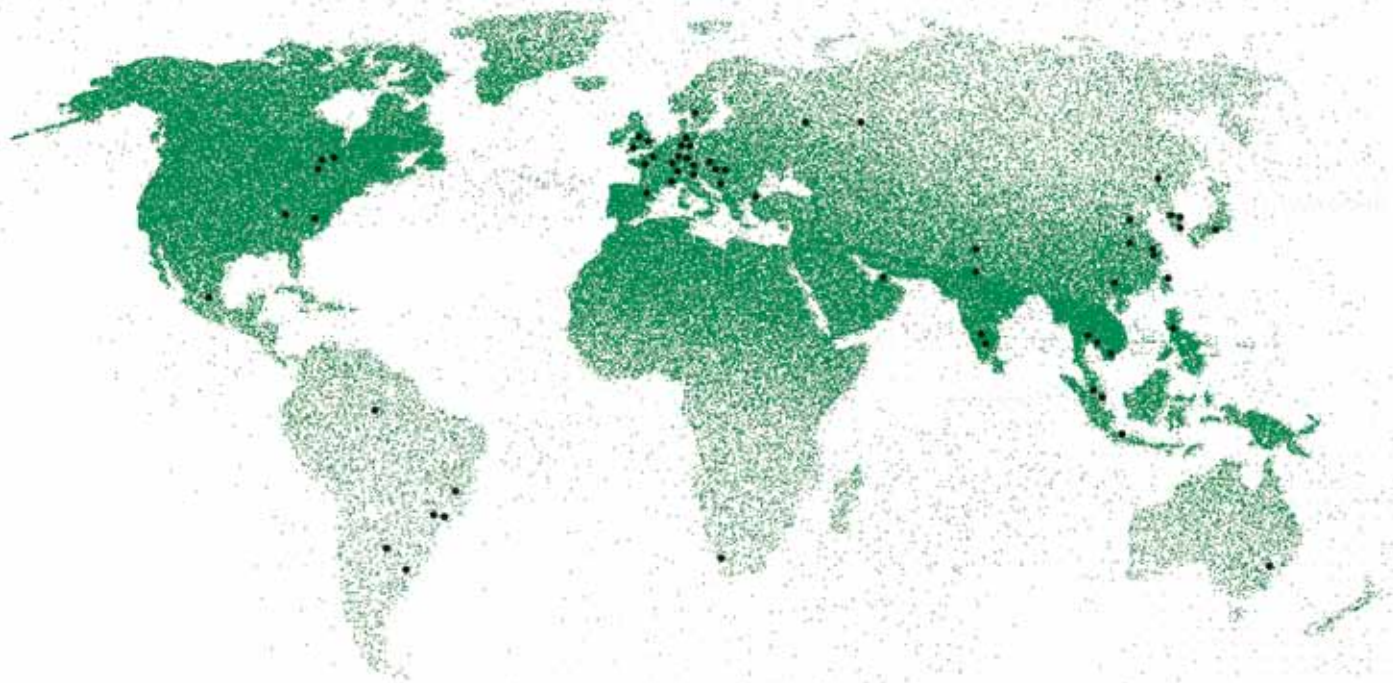
**REMARKS / LIMITATIONS and MARKING refer to page 2.**

2010-11-12

Type Approval Symbol **GL**

Signature: Michael Kämpf

# MANN+HUMMEL Group



The MANN+HUMMEL Group is a company with international operations and employs around 15,231 people worldwide at 60 international locations.

The company develops, produces and sells innovative, technical components and systems for the automotive industry and many other fields. A key area is high-quality filtration products

for vehicles, engines and industrial applications. The OEM business with global market leaders and producers of vehicles, machines and installations defines the quality and performance of the products. Filters for the international aftermarket are sold under numerous international brands as well as under the group's own MANN-FILTER brand.

## **MANN+HUMMEL Industrial Filtration**

The Industrial Filtration Business Unit with its headquarters in Speyer (Germany) is specialised in meeting the requirements of off-highway vehicle and engine applications, compressed air and vacuum technology, mechanical engineering and plant construction. Under the brand name Vokes Air the company also produces filter solutions for HVAC and process air.

For these and other industrial fields MANN+HUMMEL Industrial Filtration offers high-performance products for the filtration and separation of air, gases and liquids.

Thanks to an efficient and well-organised partner network and global sales network the products are readily available at almost all locations.

## **MANN+HUMMEL GMBH**

67346 Speyer · Germany

Tel.: +49 (62 32) 53-80

Fax: +49 (62 32) 53-88 99

[if.info@mann-hummel.com](mailto:if.info@mann-hummel.com)

[www.mann-hummel.com](http://www.mann-hummel.com)

Catalogues: [www.mann-hummel.com/en/corp/services/catalogues](http://www.mann-hummel.com/en/corp/services/catalogues)