

ADJUSTABLE GATE CLOSER

(short version)

- Suitable for Timber & Steel Gates
 - Adjustable Closing Speed
- Available in Black or Stainless Steel
 - Low opening hand forces



GATES AND ACCESSORIES

TEL 01223-839990

FAX 01223-839991

EMAIL info@gatesandaccessories.co.uk

www.gatesandaccessories.co.uk

Adjustable Pedestrian Gate Closer

(short version)

Suitable for gates up to 1.2m wide

The Adjustable Gate Closer is a fully featured commercial closer. This gate closer provides consistent automatic closing without slamming and has an adjustable closing speed.

Mounted on the gate surface, the adjustable Gate Closer is suitable for retrofitting to existing gates, also for fitting to new gates at the time of fabrication.

Each gate closer kit includes a closer, fitting brackets for metal gates, and instructions. Screw fixings are not included as they vary according to the gate and post specification. Timber gate fitting brackets are available, but not included in the kit.

Fitting is relatively simple and ongoing maintenance is limited to regular inspection and lubrication as necessary. As with all gate closers of this type, it is advisable to fit a 'stop' ** restricting the opening angle to avoid damage to the closer.

Closing speed is adjusted by turning a hexagon headed screw located on one eyelet. This feature is available on both short and long versions.

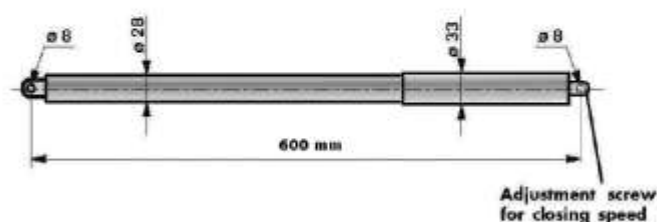
*Please refer to data table for more details



Technical overview:

Material	Steel or stainless steel
Colour	Black or silver*
Finish	Black PVC, zinc or st/steel
Hinge arrangements	Refer to data table*
Opening angle	Up to 110 degrees **
Max. gate weight	80 kg*
Max. gate width	1.2m*
Types of gate materials	Metal or timber
Gate closing speed	Adjustable
Opening hand forces	10-50N (1-5 kg approx.)
Bracket material	Steel or stainless steel
Bracket finish	Zinc plated or st/steel
End fittings	Eyelets

Dimensions



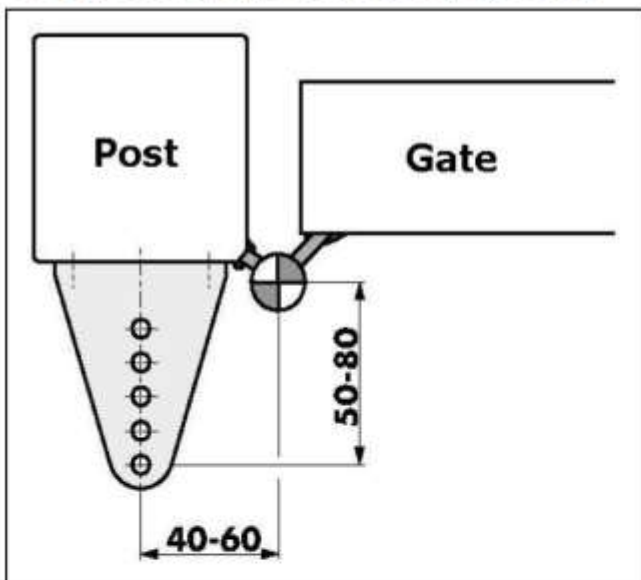
How it Works

The gate closer pushes directly on to the gate. It is fixed to the opening side of the gate and to the gatepost. When the user opens the gate, the closer compresses. When the user releases the gate, the closer pushes the gate closed with a controlled action. Closing speed is adjusted by turning a small socket screw located at one end of the closer.

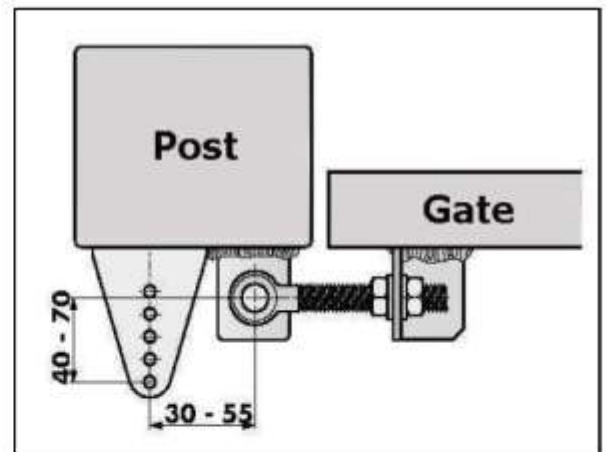
Please refer to the hinge arrangement drawings below and the data table on the following page for more information. This gate closer is not recommended for gates with in-line hinge arrangements. If you have an in-line hinge arrangement, use the long version closer.

To avoid damage to the gate closer, it is very important that restricting stops are fitted so that the gate does not open or close too far. Refer to the steps in the fitting instructions for more information.

Corner Hinge Arrangement

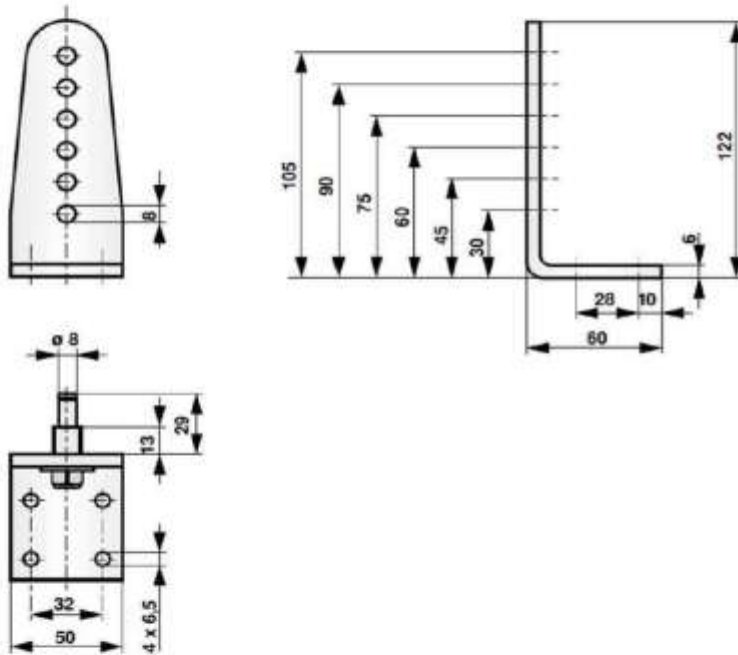


Offset hinge arrangement

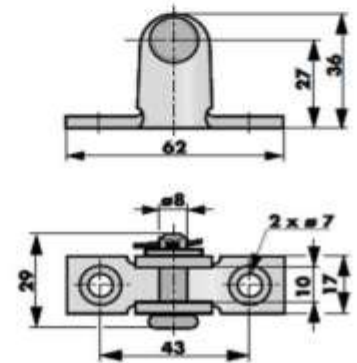


Bracket dimensions and gate closer details

Post bracket



Gate bracket



Gate closer detail

Reference	Hinge Arrangements			Material		Suitability		
	In-line	Offset	Corner	Material	Finish	Gate Weight	Gate Width	Gate Matl.
Black finish short version	No	Yes	Yes	Steel	Black PVC	80 kg	1.2 m	Metal or timber
Stainless steel short version	No	Yes	Yes	Stainless	Silver	80 kg	1.2 m	Metal or timber
Zinc finish long version	Yes	Yes	Yes	Steel	Zinc	80 kg	1.2 m	Metal or timber
Stainless steel long version	Yes	Yes	Yes	Stainless	Silver	80 kg	1.2 m	Metal or timber

If your gate is wider, heavier or has a different hinge arrangement, please contact us for further information.

Ordering detail

Reference	Description
GATECLOSER014	Black finish short version
GATECLOSER015	Stainless steel short version
GATECLOSER042	Zinc finish long version
GATECLOSER043	Stainless steel long version
LL0092	Zinc finish bracket adaptors for timber gates
LL0093	Stainless steel bracket adaptors for timber gates