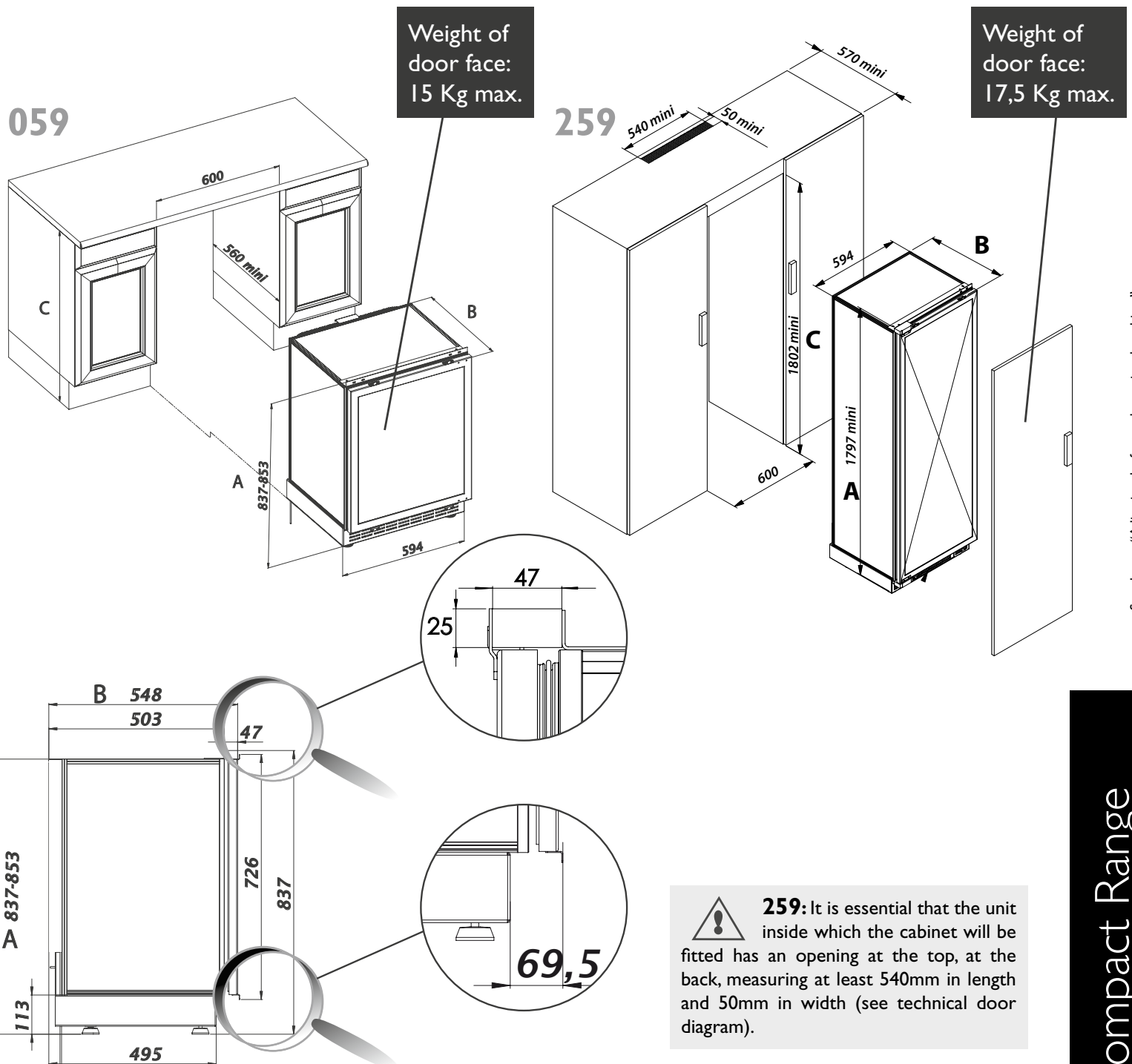


Dimensions to be observed

.for a technical door

	A max.	A min.	A max. with raising piece*	A min. with raising piece*	B	C min.
059	853	837	896	880	548	842
259	1813	1797	1856	1840	565	1802



259: It is essential that the unit inside which the cabinet will be fitted has an opening at the top, at the back, measuring at least 540mm in length and 50mm in width (see technical door diagram).

Adjusting the feet and securing the cabinet

(to be carried out only when the cabinet is empty)

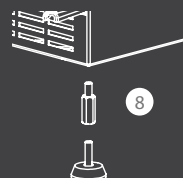
The wine cabinet's 4 feet can be adjusted in height.

- If necessary, use the hexagonal raising pieces (8) supplied in the "accessories" sachet. Tilt the appliance forwards, ensuring that the door remains shut.

Unscrew the back feet and fit the raising pieces, using a 17 mm open-ended spanner. Screw the 2 back feet onto the raising pieces.

Repeat the procedure for the 2 front feet, this time tilting the appliance backwards.

- Use suitable screws to secure the wine cabinet underneath the work top or inside the unit via the holes provided in the hinges.



Fastening a unit door to a technical door

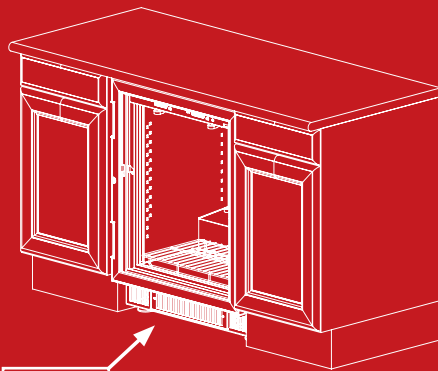
- Position the cabinet so that it is level underneath the work top or inside the unit
- Open the cabinet door to 90°
- Fasten the door face of the kitchen unit onto the cabinet door (8 screws supplied)
- Ensure that the seal is completely air tight
- Your panel must be 726 mm high

Size	059	259
Tech door height (in mm)	676	1656
Tech door width (in mm)	592	592
Tech door thickness (in mm)	29	29
Seal thickness (in mm)	10	10
Total thickness (in mm)	39	39
Max. weight of door face (in kg)	17.5	17.5
Door face + door total weight (in kg)	16	39.5

N.B.!

.the air vent

Never obstruct the front air vent. This could result in poor functioning of the cabinet.



.rotation of the door

On the side of the axis of rotation of the door, position it at least 3 mm from the adjacent unit.

.access to the plug

The plug must be accessible after the appliance has been installed. For medium and large models, it is essential that the cabinet is fastened to the unit. Check that the appliance is securely fastened to the unit and that the unit is securely fastened to the wall.

.glass door

If your door is glazed, never place it on its side as it may break.

- 1) Remove the top hinge, fit the technical cross angle (support of the top technical hinge) on the top panel of the cellar (3 screws per side).
- 2) Fit the top technical hinge and tighten slightly the screws.
- 3) Remove the bottom hinge, install the support of the bottom technical hinge.
- 4) Fit the bottom technical hinge on its support and tighten slightly the screws.
- 5) Fit the technical door on the technical hinges.
- 6) Adjust the door (see inset).
- 7) Tighten the screw of the hinges.
- 8) Remove the door lock plate.

