



SPRINKLERS

NaanDanJain offers an extensive range of high-quality plastic and metal impact sprinklers for agricultural irrigation, including both Overhead and Undertree sprinklers.

Our sprinklers are suitable for **diverse applications in open fields**, orchards and plantations. Facilitate full-circle and part-circle. Cover a wide range of wetting diameters from small plastic sprinklers to powerful giant sprinklers.

NAANDANJAIN
A JAIN IRRIGATION COMPANY

Contents

Introduction.....	3
IrriStand Systems	
2005 AquaMaster.....	4
Opal.....	5
Mamkad I6	6
501-U.....	7
502-H.....	8
Super 10.....	9
Magic Drive.....	10
5022 SD-U	11
5022 SD	12
6025 SD	13
5022 SD PC	14
427 B AG-U	15
427 B AG, 427 B GAG.....	16
LPD for IrriStand.....	17
Amirit.....	18
Overhead sprinklers	
J1-1, 423 AG.....	19
233B.....	20
233 PC.....	21
433 PC.....	22
5035 SD.....	23
5035 SD PC.....	24
5035 G.....	25
234.....	26
280,280 PC.....	27
Undertree sprinklers	
Magic Drive LA.....	28
Opal.....	29
501, 502.....	30
Mamkad I6 - Low angle.....	31
Super 10 LA.....	32
5024 SD.....	33
6004 SD.....	34
6024 SD.....	35
Landscape sprinklers	
427 B, 423 P.....	36
PopStar Plus 565.....	37
PopUp 805.....	38
Accessories.....	39

Introduction

NaanDanJain develops, manufactures and markets the largest selection of comprehensive irrigation technologies, designed for economical and efficient water management. With over seventy years of experience, the company operates in over 80 countries on all continents, meeting all the requirements of efficient modern irrigation. NaanDanJain's broad range of sprinkler and dripline technologies provides efficient, flexible and cost-effective solutions for a wide range of crops in diverse conditions, tailored to varied customer needs.

NaanDanJain's 800-hectare farm includes open fields, citrus orchards and avocado plantations that serve as a large scale testing site for the company's intensive R&D. NaanDanJain's state-of-the-art laboratory operates according to the international ISO 9001:2008 standard.

Our Product Range

NaanDanJain offers an extensive range of high-quality plastic and metal impact sprinklers for agricultural irrigation. NaanDanJain's sprinklers are suitable for diverse applications in open fields, orchards and plantations.

The product range includes:

IrriStand family: for field and row crops, greenhouses, nurseries and tunnels

Overhead sprinklers: for field and row crops, vegetables and pastures

Undertree sprinklers: for orchards and plantations

The sprinklers:

- facilitate full-circle and part-circle irrigation
- cover a wide range of wetting diameters from small plastic sprinklers to powerful giant sprinklers, with flow rates from 300 l/h to 30 m³/h
- are manufactured from high-quality materials, which are resistant to UV radiation, outdoor conditions and chemicals, guaranteeing maximum accuracy and longevity



2005 AquaMaster



IrriStand systems

Jet-drive, low-volume sprinkler mounted on IrriStand 55

Applications: field crops, greenhouses, orchards, residential and landscaping

- For extra-range spacing up to 7 m
- Improved performance
- Innovative insect-resistant structure
- Improved durability to wear and tear, radiation and chemicals
- Unique water spreader for optimum distribution, maximum range and fine droplets
- Stable irrigation stand with minimum pressure loss
- Recommended pressure: 1.5-2.5 bar
- Flow rates: 120-300 l/h

2005 Performance Table

Precipitation rates (mm/hr) and uniformity (CU) at various spacing

Swivel Color	Nozzle Color	P (bar)	Q (l/h)	D (m)	Spacing (m)									
					4x4	4x5	4x6	4x7	5x5	5x6	5x7	6x6	6x7	7x7
Green	Orange	1.5	104	9.5	6.5	5.2	4.3	3.7	4.2	3.5	3.0	2.9	2.5	2.1
		2.0	120	9.5	7.5	6.0	5.0	4.3	4.8	4.0	3.4	3.3	2.8	2.4
		2.5	134	9.5	8.4	6.7	5.6	4.8	5.3	4.5	3.8	3.7	3.2	2.7
	Black	1.5	138	9.5	8.5	6.8	5.7	4.9	5.4	4.5	3.9	3.8	3.2	2.8
		2.0	160	10.0	10.0	8.0	6.7	5.7	6.4	5.3	4.6	4.5	3.8	3.3
		2.5	179	10.5	11.3	9.1	7.5	6.5	7.2	6.0	5.2	5.0	4.3	3.7
	Blue	1.5	173	10.5	10.7	8.6	7.2	6.1	6.9	5.7	4.9	4.8	4.1	3.5
		2.0	200	11.0	12.6	10.1	8.4	7.2	8.0	6.7	5.7	5.6	4.8	4.1
		2.5	223	11.0	14.0	11.2	9.3	8.0	8.9	7.4	6.4	6.2	5.3	4.6
Yellow	1.5	215	10.5	13.3	10.7	8.9	7.6	8.5	7.1	6.1	5.9	5.1	4.4	
	2.0	250	11.5	15.7	12.5	10.4	8.9	10.0	8.3	7.2	7.0	6.0	5.1	
	2.5	305	12.0	19.0	15.2	12.6	10.8	12.1	10.1	8.7	8.4	7.2	6.2	
Red	1.5	260	12.0	16.4	13.1	10.9	9.4	10.5	8.7	7.5	7.3	6.2	5.3	
	2.0	300	12.5	18.5	14.8	12.3	10.6	11.8	9.9	8.5	8.2	7.1	6.0	
	2.5	335	13.0	21.0	16.6	14.0	12.0	13.4	11.2	9.6	9.3	8.0	6.8	

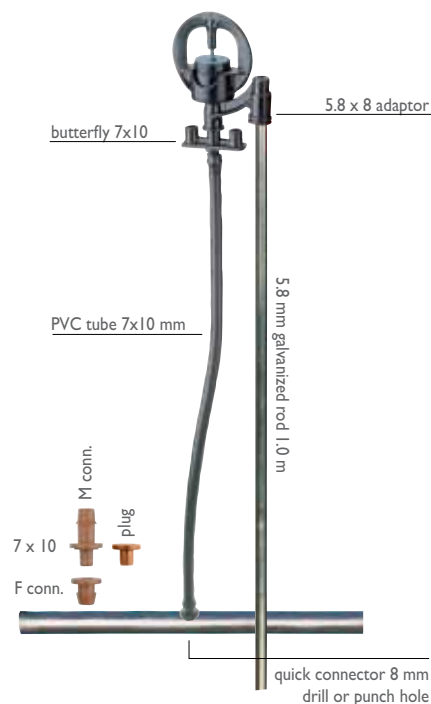
Color code - Distribution uniformity

CU > 92%	CU 88-92%	CU 85-88%	CU < 85%
----------	-----------	-----------	----------

Tested at 60 cm height

* Performance table prepared under laboratory conditions

* For windy conditions use closer spacing

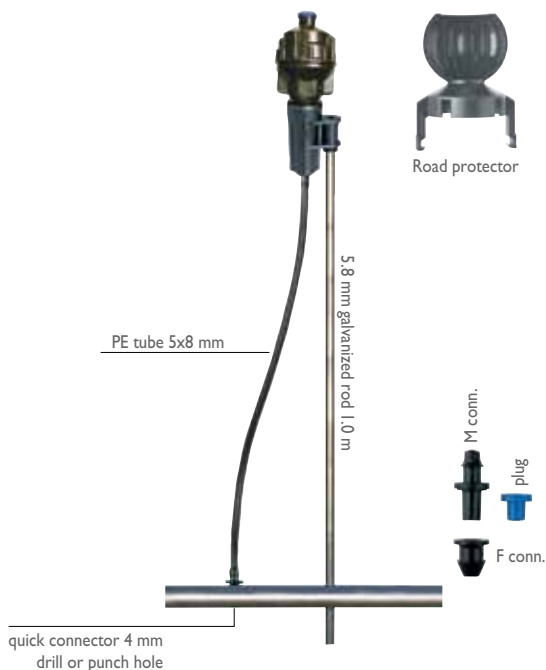


Mamkad 16



Applications: vegetables, flowers, nurseries and greenhouses

- Compact, sturdy closed protected ball engine
- Uniform water distribution at low pressure and precipitation rate
- Color-coded, plastic, high-trajectory nozzles for easy operation and service
- Extra-strong plastic compounds and ceramic washers reduce wear and tear
- Insect-resistant, pop-up pop-down nozzle
- Optional Flow Regulator (F.R.)
- Optional road protector
- Operating pressure: 2.0-4.0 bar w/o regulator
2.5-5.0 bar with regulator



IrriStand systems

Low-volume, ball-driven sprinkler
1/2" male, mounted on irristand 5 I



Mamkad 16 Performance Table

Precipitation rates (mm/hr) and uniformity (CU) at various spacing

Nozzle Color	P (bar)	Q (l/h)	D (m)	Spacing (m)					
				6x6	6x7	7x7	7x8	8x8	8x9
Blue	2.0	135	14	3.8	3.2	2.8	2.4	2.1	
	2.5	151	14	4.1	3.5	3.0	2.7	2.3	
	3.0	165	14	4.6	3.9	3.4	2.9	2.6	
	3.5	178	13	5.0	4.3	3.7	3.2	2.8	
	4.0	192	13	5.3	4.5	3.9	3.4	3.0	
F.R.	2.5-5.0	135	13	3.6	3.1	2.7	2.3	2.0	
Yellow	2.0	180	15	4.8	4.1	3.5	3.1	2.7	
	2.5	201	14	5.6	4.8	4.1	3.6	3.1	
	3.0	220	14	6.1	5.2	4.5	3.9	3.4	
	3.5	238	14	6.7	5.7	4.9	4.3	3.7	
	4.0	255	14	7.0	6.0	5.1	4.5	3.9	
F.R.	2.5-5.0	180	14	5.0	4.3	3.7	3.2	2.8	
Violet	2.0	225	15	6.2	5.3	4.6	4.0	3.5	3.1
	2.5	252	15	7.0	6.0	5.1	4.5	3.9	3.5
	3.0	275	15	7.6	6.5	5.6	4.9	4.3	3.8
	3.5	297	15	8.3	7.1	6.1	5.3	4.6	4.1
	4.0	320	15	8.9	7.6	6.5	5.7	5.0	4.4
F.R.	2.5-5.0	225	15	6.1	5.3	4.5	3.9	3.4	3.1
Black	2.0	270	16	7.4	6.4	5.4	4.8	4.2	3.7
	2.5	302	16	8.4	7.2	6.2	5.4	4.7	4.2
	3.0	330	16	9.2	7.9	6.7	5.9	5.2	4.6
	3.5	356	16	9.9	8.5	7.3	6.4	5.6	5.0
	4.0	383	16	10.6	9.1	7.8	6.8	6.0	5.3
F.R.	2.5-5.0	270	16	7.4	6.3	5.4	4.7	4.1	3.7

Color code - Distribution uniformity CU > 92% CU 88-92% CU 85-88% CU < 85%

Tested at 60 cm height

* Performance table prepared under laboratory conditions

* For windy conditions use closer spacing

501-U



IrriStand systems

Turbo hammer low-volume sprinkler mounted on IrriStand 50

Applications: vegetables, greenhouses, residential and landscaping

- For spacing up to 8 m
- Excellent water distribution
- Fine water droplets for delicate irrigation of all crops

501-U Performance Table

Precipitation rates (mm/hr) and uniformity (CU) at various spacing

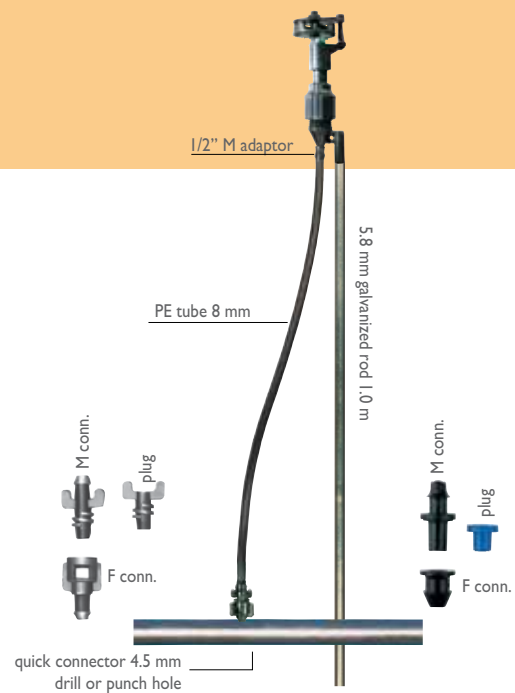
Nozzle Color (mm)	P (bar)	Q (l/h)	D (m)	Spacing (m)				
				6x6	6x7	7x7	7x8	8x8
1.6 Red	1.5	100	12.0	2.8	2.4	2.0	1.8	1.6
	2.0	110	12.0	3.1	2.6	2.2	2.0	1.7
	2.5	130	12.0	3.6	3.1	2.7	2.3	2.0
	3.0	150	12.0	4.2	3.6	3.1	2.7	2.3
	3.5	165	12.5	4.6	3.9	3.4	2.9	2.6
1.8* Green	1.5	150	12.0	4.2	3.6	3.1	2.7	2.3
	2.0	170	13.0	4.7	4.0	3.5	3.0	2.7
	2.5	190	13.0	5.0	4.5	3.9	3.4	3.0
	3.0	210	14.0	5.8	5.0	4.3	3.8	3.3
	3.5	230	14.0	6.4	5.5	4.7	4.1	3.6
2.0 Blue	1.5	160	12.0	4.4	3.8	3.3	2.9	2.5
	2.0	180	13.0	5.0	4.3	3.7	3.2	2.8
	2.5	200	13.0	5.6	4.8	4.1	3.6	3.1
	3.0	220	14.0	6.1	5.2	4.5	3.9	3.4
	3.5	240	14.0	6.7	5.7	4.9	4.3	3.8
2.2 Yellow	1.5	170	13.5	4.7	4.0	3.5	3.0	2.7
	2.0	200	15.0	5.6	4.8	4.1	3.6	3.1
	2.5	215	15.0	6.0	5.1	4.4	3.8	3.4
	3.0	235	15.5	6.5	5.6	4.8	4.2	3.7
	3.5	250	15.5	6.9	6.0	5.1	4.5	3.9

*Standart nozzle

Color code - Distribution uniformity CU > 92% CU 88-92% CU 85-88% CU < 85%

* Performance table prepared under laboratory conditions

* For windy conditions use closer spacing



502-H



IrriStand systems

Turbo hammer low-volume sprinkler mounted on IrriStand 52

Applications: vegetables, greenhouses, residential and landscaping

- For extra-range spacing up to 10 m

502-H Performance Table

Precipitation rates (mm/hr) and uniformity (CU) at various spacing

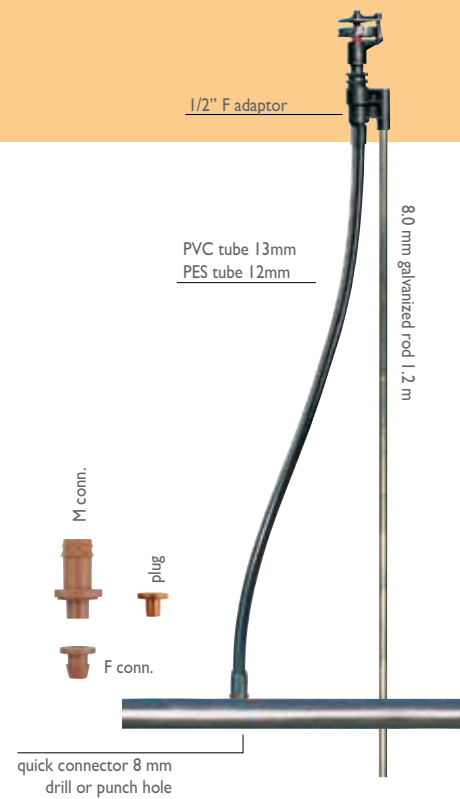
Nozzle Color (mm)	P (bar)	Q (l/h)	D (m)	Spacing (m)				
				8x8	8x9	9x9	9x10	10x10
2.5 Red	1.5	226	13.0	3.5	3.1	2.8	2.5	2.3
	2.0	263	15.0	4.1	3.5	3.2	2.9	2.6
	2.5	292	15.5	4.6	4.0	3.6	3.2	2.9
	3.0	318	16.5	5.0	4.4	3.9	3.5	3.2
	3.5	345	17.0	5.4	4.8	4.2	3.8	3.4

Color code - Distribution uniformity

CU > 92%	CU 88-92%	CU 85-88%	CU < 85%
----------	-----------	-----------	----------

* Performance table prepared under laboratory conditions

* For windy conditions use closer spacing



Opal



IrriStand systems

Sprinkler with silicone motion controller, 1/2" or 3/8" male thread and female Acme thread mounted on Irristand 52 or riser

- Silicone motion controller for longer radius of throw
- Unique swivel for protection against snails
- Optimal water stream and droplet size for high resistance to wind
- Triangular distribution profile for uniform irrigation

Applications: Irrigation and germination of vegetables, field crops and flowers. Overhead cooling & fruit coloring.

Main features

- Available with two different angles 15° & 24°
- Special water path with triangular distribution profile for uniform distribution.
- Unique swivel design protects damage caused by snails
- Low impact droplet and low application rate
- Recommended working pressure: 2.0 - 3.5 bar
- Flow range: 230 - 490 l/h
- High resistance to breakage, corrosion, UV radiation and fertilizers



Precipitation rates (mm/hr) and uniformity (CU) at various spacing

Opal Z11 swivel 15° Performance Table

Nozzle Color	P (bar)	Q (l/h)	D (m)	Spacing (m)				
				6x6	7x7	8x8	9x9	10x10
2.2 Orange	1.5	230	16	6.4	4.7	3.6		
	2.0	265	16	7.4	5.4	4.1		
	2.5	295	16	8.2	6.0	4.6		
	3.0	325	16	9.0	6.6	5.1		
	3.5	350	15	9.7	7.1	5.5		
2.4 Purple	1.5	270	16	7.5	5.5	4.2		
	2.0	315	16	8.8	6.4	4.9	3.9	
	2.5	350	16	9.7	7.1	5.5	4.3	
	3.0	380	16	10.6	7.8	5.9	4.7	
	3.5	415	16	11.5	8.5	6.5	5.1	
2.6 Yellow	1.5	320	16	8.9	6.5	5.0	4.0	3.2
	2.0	370	16	10.3	7.6	5.8	4.6	3.7
	2.5	415	16	11.5	8.5	6.5	5.1	4.2
	3.0	455	15	12.6	9.3	7.1	5.6	4.6
	3.5	490	14	13.6	10.0	7.7	6.0	4.9

Opal Z12 swivel 24° Performance Table

Nozzle Color	P (bar)	Q (l/h)	D (m)	Spacing (m)				
				6x6	7x7	8x8	9x9	10x10
2.2 Orange	1.5	230	15	6.4	4.7	3.6		
	2.0	265	16	7.4	5.4	4.1		
	2.5	295	17	8.2	6.0	4.6		
	3.0	325	16	9.0	6.6	5.1		
	3.5	350	16	9.7	7.1	5.5		
2.4 Purple	1.5	270	16	7.5	5.5	4.2	3.3	2.7
	2.0	315	17	8.8	6.4	4.9	3.9	3.2
	2.5	350	16	9.7	7.1	5.5	4.3	3.5
	3.0	380	16	10.6	7.8	5.9	4.7	3.8
	3.5	415	16	11.5	8.5	6.5	5.1	4.2
2.6 Yellow	1.5	320	15	8.9	6.5	5.0	4.0	3.2
	2.0	370	16	10.3	7.6	5.8	4.6	3.7
	2.5	415	16	11.5	8.5	6.5	5.1	4.2
	3.0	455	16	12.6	9.3	7.1	5.6	4.6
	3.5	490	15	13.6	10.0	7.7	6.0	4.9

Color code - Distribution uniformity CU > 92% CU 88-92% CU 85-88% CU < 85%

* Performance table prepared under laboratory conditions

* For windy conditions use closer spacing

Super 10



Non regulated
(black base)



Regulated
(silver base)

Applications: field crops, greenhouses, residential and landscaping
For extra-range spacing up to 12 m

- Compact, sturdy, closed and protected ball engine
- Bayonet nozzle for easy service
- Optional Flow Regulator (F.R.)
- High water distribution
- Brown nozzle for road protector only

Super10 Performance Table

Precipitation rates (mm/hr) and uniformity (CU) at various spacing

Nozzle Color	P (bar)	Q (l/h)	D (m)	Precipitation rates (mm/hr) Spacing (m)					
				9x9	9x10	10x10	9x12	10x12	12x12
Blue	2.5	360	17.0	4.5	4	3.6			
	3.0	395	17.0	4.8	4.4	3.9			
	3.5	425	16.5	5.2	4.7	4.2			
	4.0	455	16.0	5.6	5.1	4.6			
F.R.	3.0-5.0	360	18.0	4.5	4	3.6			
Yellow	2.5	450	20.0	5.5	5	4.5	4.1	3.7	3.1
	3.0	495	20.0	6.1	5.5	4.9	4.6	4.1	3.4
	3.5	530	19.5	6.5	5.9	5.3	4.9	4.4	3.7
	4.0	570	19.0	7	6.3	5.7	5.3	4.7	3.9
F.R.	3.0-5.0	450	20.0	5.5	5	4.5	4.2	3.7	3.1
Green	2.5	550	20.0	6.7	6	5.4	5	4.5	3.8
	3.0	600	20.0	7.4	6.7	6	5.6	5	4.2
	3.5	650	20.0	8	7.2	6.5	6	5.4	4.5
	4.0	695	19.5	8.6	7.7	6.9	6.4	5.8	4.8
F.R.	3.0-5.0	550	20.0	6.8	6.1	5.5	5.1	4.6	3.8
Red	2.5	670	20.5	8.2	7.4	6.6	6.1	5.5	4.6
	3.0	735	20.5	9	8.1	7.3	6.8	6.1	5.1
	3.5	790	20.0	9.7	8.7	7.8	7.3	6.5	5.4
	4.0	850	20.0	10.4	9.4	8.4	7.8	7	5.9
F.R.	3.0-5.0	670	20.5	8.2	7.4	6.6	6.2	5.5	4.6

Color code - Distribution uniformity CU > 92% CU 88-92% CU 85-88% CU < 85%

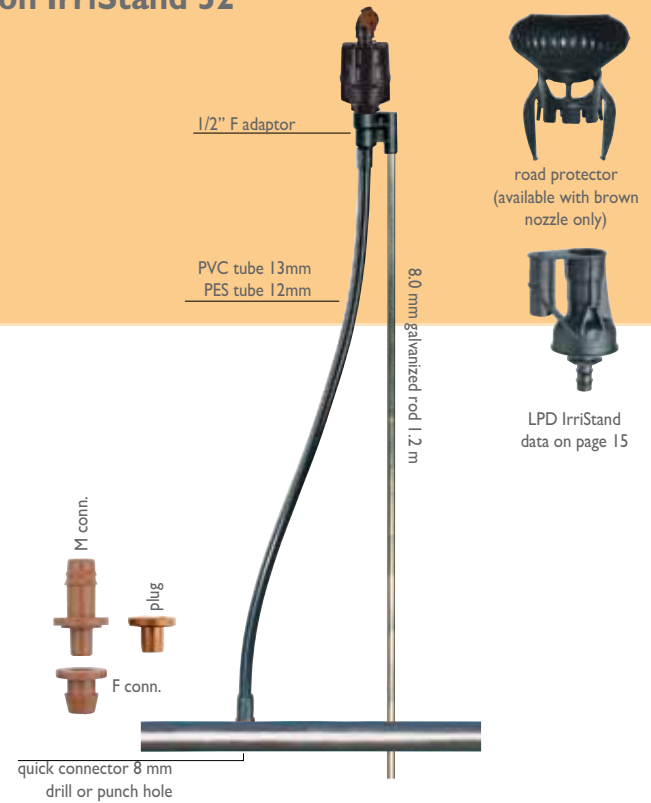
F.R. = Flow Regulator

* Performance table prepared under laboratory conditions

* For windy conditions use closer spacing

IrriStand systems

Extra-range, ball-driven sprinkler mounted on IrriStand 52



Brown nozzle for Road Protector only

Nozzle Color	P (bar)	Q (l/h)	D (m)
Brown*	2.5	320	19
	3.0	350	19
	3.5	380	19
F.R.	3.0-5.0	320	19



MagicDrive PAT. PENDING



IrriStand systems

Non-Impact 1/2" sprinkler mounted on Irristand 52 or riser

- Maintenance free
- Extended longevity. No wear and tear
- Special long term warranty

Applications:

- Irrigation and germination of vegetables and field crops
- Corn and Sugar cane irrigation on high risers 2-3m due to its stable operation without vibration
- Overhead cooling in orchards and plantations

Structure and features:

- Maintenance free for long lifespan
- Can function with contaminated water
- Hermetically-sealed silicone chamber protects silicone from leakage
- Silicone with magnets ensure constant rotation speed and prevents wear and tear
- Excellent water distribution uniformity in spacing of up to 14 m
- Color coded nozzle and swivel
- High-impact and heavy duty plastic materials for resistance to corrosion and UV radiation

MagicDrive PERFORMANCE TABLE

Precipitation rates (mm/hr) and uniformity (CU) at various spacing

Group	Swivel	Diffuser	Nozzle color (mm)	P (bar)	Q (m ³ /h)	D (m)	Spacing (m)					
							9x9	10x10	10x12	12x12	12x14	14x14
G4	Black 24°	Yellow	2.6 Yellow	1.5	0.310	19	3.7	3.1	2.6			
				2.0	0.365	19	4.4	3.7	3.0			
				2.5	0.410	19	5.0	4.1	3.4			
				3.0	0.450	20	5.6	4.5	3.8			
				3.5	0.490	20	6.0	4.9	4.1			
			2.8 Green	1.5	0.360	20	4.3	3.6	3.0	2.5		
				2.0	0.415	20	5.1	4.2	3.5	2.9		
				2.5	0.465	21	5.6	4.7	3.9	3.2		
				3.0	0.510	21	6.2	5.1	4.3	3.5		
				3.5	0.55	21	6.8	5.5	4.6	3.8		
G5	Blue 24°	Yellow	3.0 Light Brown	1.5	0.415	22	5.1	4.2	3.5	2.9	2.5	2.1
				2.0	0.485	23	5.9	4.9	4.0	3.4	2.9	2.5
				2.5	0.545	23	6.7	5.5	4.5	3.8	3.2	2.8
				3.0	0.595	23	7.3	6.0	5.0	4.1	3.5	3.0
				3.5	0.650	22	8.0	6.5	5.4	4.5	3.9	3.3
			3.2 Red	1.5	0.465	21	5.6	4.7	3.9	3.2	2.8	2.4
				2.0	0.545	22	6.6	5.5	4.5	3.8	3.2	2.8
				2.5	0.615	23	7.5	6.2	5.1	4.3	3.7	3.1
				3.0	0.680	23	8.3	6.8	5.7	4.7	4.0	3.5
				3.5	0.730	23	8.9	7.3	6.1	5.1	4.3	3.7

Color code - Distribution uniformity CU > 92% CU 88-92% CU 85-88% CU < 85%



* Performance table prepared under laboratory conditions

* For windy conditions use closer spacing

5022 SD-U

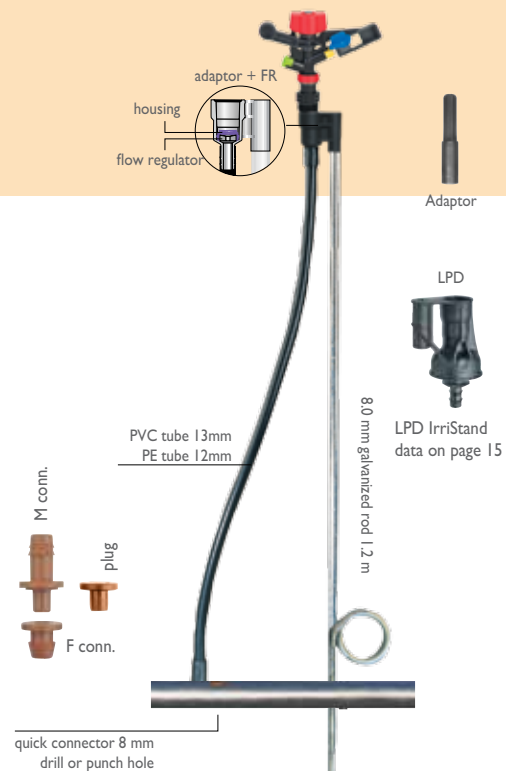


IrriStand systems

Plastic impact sprinkler, 1/2" male or 3/4" female. Mounted on IrriStand 52, 53

Applications: irrigation and germination of vegetables, flowers and nursery crops

- Unique hammer combined with SD (super diffuser) plate - designed for uniform distribution with single or dual nozzles
- High distribution uniformity up to 12 m
- Reduced sensitivity to clogging and higher resistance to wind
- Designed for short irrigation cycles for germination
- Color-coded bayonet nozzles for easy service
- High impact and heavy-duty plastic materials for resistance to corrosion, chemicals and radiation



5022 SD-U PERFORMANCE TABLE, Dual nozzle, Blue short SD
Precipitation rates (mm/hr) and uniformity (CU) at various spacing

Nozzle Color (mm)	P (bar)	Q (m ³ /h)	D (m)	Spacing (m)					
				9x9	9x10	10x10	9x12	10x12	12x12
2.5x1.8 Purple	1.5	0.440	18	5.4	4.9	4.4	4.1	3.7	3.1
	2.0	0.480	19	5.9	5.3	4.8	4.4	4.0	3.3
	2.5	0.535	21	6.6	5.9	5.4	5.0	4.5	3.7
	3.0	0.590	21	7.3	6.6	5.9	5.5	4.9	4.1
	3.5	0.635	21	7.8	7.1	6.4	5.9	5.3	4.4
	4.0	0.685	21	8.5	7.6	6.9	6.3	5.7	4.8
F.R.	30-50	0.590	21.0	7.3	6.6	5.9	5.5	4.9	4.1
2.8x1.8 Orange	1.5	0.510	19	6.3	5.7	5.1	4.7	4.3	3.5
	2.0	0.560	20	6.9	6.2	5.6	5.2	4.7	3.9
	2.5	0.635	21	7.8	7.1	6.4	5.9	5.3	4.4
	3.0	0.690	22	8.5	7.7	6.9	6.4	5.8	4.8
	3.5	0.750	23	9.3	8.3	7.5	6.9	6.3	5.2
	4.0	0.800	22	9.9	8.9	8.0	7.4	6.7	5.6

Rear nozzle: 1.8 - Light Green

Color code - Distribution uniformity	CU > 92%	CU 88-92%	CU 85-88%	CU < 85%
--------------------------------------	----------	-----------	-----------	----------

- * Performance table prepared under laboratory conditions
- * For windy conditions use closer spacing

5022 SD-U PERFORMANCE TABLE, Single nozzle, Blue short SD
Precipitation rates (mm/hr) and uniformity (CU) at various spacing

Nozzle Color (mm)	P (bar)	Q (m ³ /h)	D (m)	Spacing (m)					
				9x9	9x10	10x10	9x12	10x12	12x12
2.5 Purple	1.5	0.310	19	3.8	3.4	3.1	2.9	2.6	2.2
	2.0	0.360	19	4.4	4.0	3.6	3.3	3.0	2.5
	2.5	0.400	20	4.9	4.4	4.0	3.7	3.3	2.8
	3.0	0.440	21	5.4	4.9	4.4	4.1	3.7	3.1
	3.5	0.475	21	5.9	5.3	4.8	4.4	4.0	3.3
	4.0	0.510	21	6.3	5.7	5.1	4.7	4.3	3.5
2.8 Orange	1.5	0.405	19	5.0	4.5	4.1	3.8	3.4	2.8
	2.0	0.475	21	5.9	5.3	4.8	4.4	4.0	3.3
	2.5	0.530	22	6.5	5.9	5.3	4.9	4.4	3.7
	3.0	0.580	22	7.2	6.4	5.8	5.4	4.8	4.0
	3.5	0.625	22	7.7	6.9	6.3	5.8	5.2	4.3
	4.0	0.670	23	8.3	7.4	6.7	6.2	5.6	4.7

Color code - Distribution uniformity	CU > 92%	CU 88-92%	CU 85-88%	CU < 85%
--------------------------------------	----------	-----------	-----------	----------

For single nozzle or dual nozzle sprinkler be sure using the recommended SD unit (appears above performance table)

5022 SD

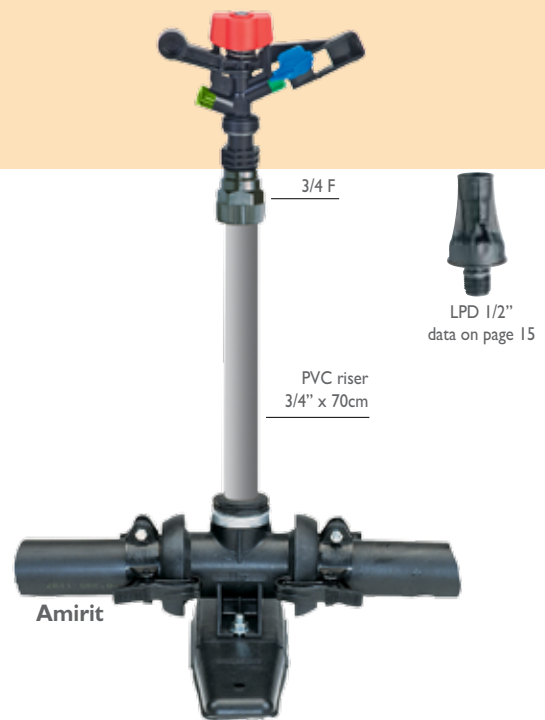


IrriStand systems

Plastic impact sprinkler, 1/2" male or 3/4" female. Mounted on riser

Applications: irrigation and germination of vegetables, flowers and nursery crops

- Unique hammer combined with SD (super diffuser) plate - designed for uniform distribution with single or dual nozzles
- High distribution uniformity up to 14 m
- Reduced sensitivity to clogging and higher resistance to wind
- Designed for short irrigation cycles for germination
- Color-coded bayonet nozzles for easy service
- High impact and heavy-duty plastic materials for resistance to corrosion, chemicals and radiation



5022 SD PerformanceTable - Single nozzle, Black long SD

Precipitation rates (mm/hr) and uniformity (CU) at various spacing

Nozzle Color (mm)	P (bar)	Q (m ³ /h)	D (m)	Spacing (m)				
				10x10	10x12	12x12	12x14	14x14
3.0 Red	2.5	0.570	21.0	5.7	4.8	4.0	3.4	2.9
	3.0	0.630	22.0	6.3	5.3	4.4	3.8	3.2
	3.5	0.680	23.0	6.8	5.7	4.7	4.1	3.5
	4.0	0.720	23.0	7.2	6.0	5.0	4.3	3.7
3.2 Green	2.5	0.640	21.2	6.4	5.3	4.4	3.8	3.3
	3.0	0.700	22.2	7.0	5.8	4.9	4.2	3.6
	3.5	0.760	23.0	7.6	6.3	5.3	4.5	3.9
	4.0	0.810	23.0	8.1	6.8	5.6	4.8	4.1
3.5 Blue	2.5	0.740	23.0	7.4	6.2	5.1	4.4	3.8
	3.0	0.810	23.0	8.1	6.8	5.6	4.8	4.1
	3.5	0.870	24.0	8.7	7.3	6.0	5.2	4.4
	4.0	0.930	25.0	9.3	7.8	6.5	5.5	4.7
4.0 Black	2.5	0.950	23.2	9.5	7.9	6.6	5.7	4.8
	3.0	1.030	24.2	10.3	8.6	7.2	6.1	5.3
	3.5	1.110	25.0	11.1	9.3	7.7	6.6	5.7
	4.0	1.180	26.0	11.8	9.8	8.2	7.0	6.0

5022 SD PerformanceTable - Dual nozzle, Blue short SD

Nozzle Color (mm)	P (bar)	Q (m ³ /h)	D (m)	Spacing [m]				
				10x10	10x12	12x12	12x14	14x14
3.0x1.8 Red	2.5	0.760	21.0	7.6	6.3	5.3		
	3.0	0.840	22.0	8.4	7.0	5.8		
	3.5	0.900	23.0	9.0	7.5	6.3		
	4.0	0.970	22.0	9.7	8.1	6.7		
3.2x1.8 Green	2.5	0.820	21.0	8.2	6.8	5.7		
	3.0	0.900	22.0	9.0	7.5	6.3		
	3.5	0.980	23.0	9.8	8.2	6.8		
	4.0	1.040	23.0	10.4	8.7	7.2		
3.5x1.8 Blue	2.5	0.890	23.0	8.9	7.4	6.2	5.3	
	3.0	0.990	23.0	9.9	8.3	6.9	5.9	
	3.5	1.060	24.0	10.6	8.8	7.4	6.3	
	4.0	1.150	24.0	11.5	9.6	8.0	6.8	
4.0x1.8 Black	2.5	1.100	24.0	11.0	9.2	7.6	6.5	5.6
	3.0	1.220	25.0	12.2	10.2	8.5	7.3	6.2
	3.5	1.330	25.0	13.3	11.1	9.2	7.9	6.8
	4.0	1.430	26.0	14.3	11.9	9.9	8.5	7.3

Rear nozzle: 1.8 - Light Green

Color code - Distribution uniformity	CU > 92%	CU 88-92%	CU 85-88%	CU < 85%
--------------------------------------	----------	-----------	-----------	----------

* Performance table prepared under laboratory conditions

* For windy conditions use closer spacing

For single nozzle or dual nozzle sprinkler be sure using the recommended SD unit (appears above performance table)

6025 SD



Overhead sprinklers

Plastic impact sprinkler, 1/2" male or 3/4" female on riser



Applications: irrigation and germination of vegetables, field crops and flowers

- Unique hammer combined with SD (super diffuser) plate - designed for uniform distribution with single or dual nozzles
- Special arched water path facilitates wider radius of throw, reducing the number of sprinklers required per unit area
- High distribution uniformity up to 16 m
- Reduced sensitivity to clogging and higher resistance to wind
- Designed for short irrigation cycles for germination
- Color-coded bayonet nozzles for easy service
- Solid construction with full protection of spring and axle area
- High impact and heavy-duty plastic materials for resistance to corrosion, chemicals and radiation



* On stand 52 only with nozzles 2.8 & 3.0 mm using the rod with loop (code: 493652) and adaptor (code: 482820)

On riser for all nozzles

6025-SD PERFORMANCE TABLE

Precipitation rates (mm/hr) and uniformity (CU) at various spacing

Nozzle Color (mm)	P (bar)	Q (m ³ /h)	D (m)	Spacing (m)					
				12x12	12x14	12x15	14x14	15x15	16x16
2.8 Orange	2.5	0.540	19	3.8	3.2	3.0			
	3.0	0.595	21	4.1	3.5	3.3	3.0		
	3.5	0.640	21	4.4	3.8	3.6	3.3		
	4.0	0.685	22	4.8	4.1	3.8	3.5		
3.0 Red	2.5	0.585	21	4.1	3.5	3.3	3.0		
	3.0	0.640	23	4.4	3.8	3.6	3.3		
	3.5	0.690	23	4.8	4.1	3.3	3.5		
	4.0	0.735	23	5.1	4.4	4.1	3.8		
3.2 Green	2.5	0.670	23	4.7	4.0	3.7	3.4	3.0	
	3.0	0.730	23	5.1	4.3	4.1	3.7	3.2	
	3.5	0.790	24	5.5	4.7	4.4	4.0	3.5	
	4.0	0.840	24	5.8	5.0	4.7	4.3	3.7	
3.5 Blue	2.5	0.780	24	5.4	4.6	4.3	4.0	3.5	3.0
	3.0	0.850	24	5.9	5.1	4.7	4.3	3.8	3.3
	3.5	0.920	24	6.4	5.5	5.1	4.7	4.1	3.6
	4.0	0.980	25	6.8	5.8	5.4	5.0	4.4	3.8
4.0 Black	2.5	1.005	26	7.0	6.0	5.6	5.1	4.5	3.9
	3.0	1.100	26	7.6	6.5	6.1	5.6	4.9	4.3
	3.5	1.185	27	8.2	7.1	6.6	6.1	5.3	4.6
	4.0	1.270	27	8.8	7.6	7.1	6.5	5.6	5.0

Color code - Distribution uniformity CU > 92% CU 88-92% CU 85-88% CU < 85%

* Performance table prepared under laboratory conditions

* For windy conditions use closer spacing

5022 SD PC (Part Circle)



Overhead sprinklers

Plastic impact sprinkler, 1/2" male or 3/4" female. Mounted on riser

- Most efficient irrigation of field boundaries with best uniformity
- Patent pending interchangeable PC kit.
- PC unit snaps into rear nozzle place for easy assembling and dismantling.

Can easily change full-circle sprinkler into part-circle sprinkler by:

Applications: irrigation and fertigation of edges in field crops, such as potatoes, carrots, and flowers

- Unique and innovative modular PC mechanism.
- Easily change full circle sprinkler into part circle sprinkler and vice versa.
- Unique hammer combined with SD (Super Diffuser) plate designed for uniform distribution even at low operation pressure (1.5 bar).
- Spacing up to 14 m.
- Combining with full-circle sprinkler ensures that 100% of the water remains within the irrigation area.
- Wide range of flow rates makes it the ideal partner for every full-circle sprinkler in any crop or field.
- High-impact, heavy-duty plastic materials provide resistance to corrosion, chemicals and UV radiation.

5022 SD PC PERFORMANCE TABLE

Sleeve Color	Nozzle Color (mm)	P (bar)	Q (m ³ /h)	D (m)
Red	2.5 Purple	1.5	0.320	19.00
		2.0	0.375	20.00
		2.5	0.420	21.00
		3.0	0.460	21.50
		3.5	0.490	22.00
	2.8 Orange	1.5	0.415	21.50
		2.0	0.475	22.00
		2.5	0.530	22.50
		3.0	0.580	23.00
		3.5	0.630	23.00
Black	3.0 Red	4.0	0.680	23.50
		1.5	0.445	21.00
		2.0	0.520	21.50
		2.5	0.575	22.00
		3.0	0.625	22.50
	3.2 Green	3.5	0.680	23.00
		4.0	0.730	23.00
		1.5	0.520	21.00
		2.0	0.590	21.50
		2.5	0.660	22.50
	3.0	0.725	23.50	
	3.5	0.770	23.50	
	4.0	0.835	24.00	

* Performance table prepared under laboratory conditions
* For windy conditions use closer spacing

1 Assembling two sector rings



2 Replacing the rear nozzle or plug with the PC mechanism



3



Note: With PC sprinkler on field boundaries, use nozzle size smaller than nozzles of the full circle sprinklers

427B AG-U



IrriStand systems

Plastic impact sprinkler
1/2" male or 3/4" female mounted on
IrriStand 52 or riser

Applications: Specifically designed for irrigation of field edges

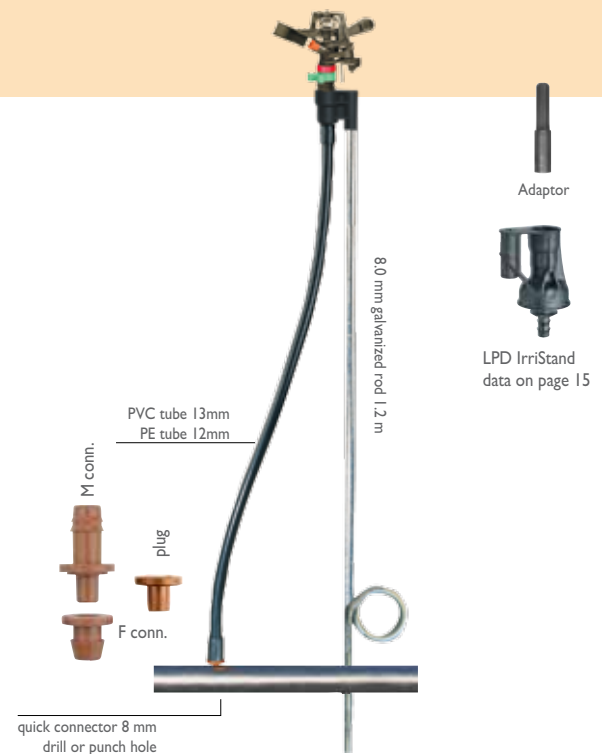
- Spacing up to 14 m
- Color-coded bayonet nozzles for easy service
- Integrated stream-straightening vane for maximum range
- High-impact, heavy-duty plastic materials provide resistance to corrosion, chemicals and UV radiation
- WP - Hammer ensures all water inside pattern and prevents irrigating roads and neighbors.

427B AG U Performance Table

Nozzle Color (mm)	P (bar)	Q (m ³ /h)	D (m)
2.8 Orange	2.0	0.450	22
	3.0	0.550	23
	4.0	0.630	24

* Performance table prepared under laboratory conditions

* For windy conditions use closer spacing



427B AG, 427B GAG

IrriStand systems

Plastic impact sprinkler

1/2" male or 3/4" female mounted on riser



427B GAG



427BAG

Applications: Specifically designed for irrigation of field edges

- Spacing up to 14 m
- Color-coded bayonet nozzles for easy service
- Integrated stream-straightening vane for maximum range
- High-impact, heavy-duty plastic materials provide resistance to corrosion, chemicals and UV radiation
- WP - Hammer ensures all water inside pattern and prevents irrigating roads and neighbors.

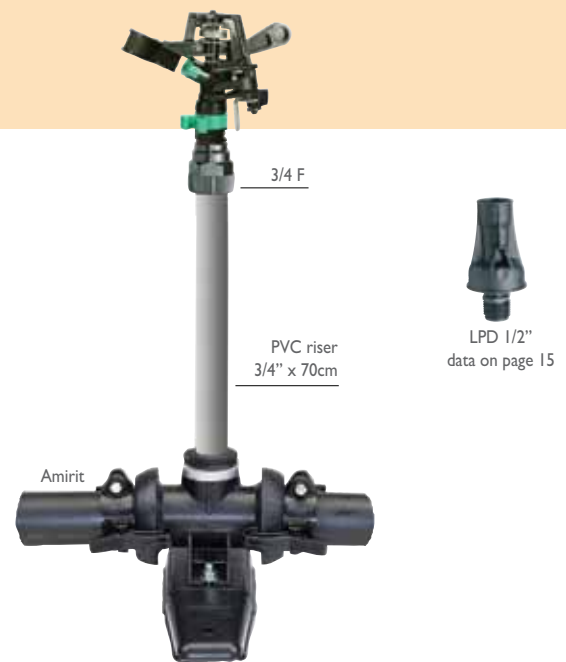
427B AG & 427B GAG Performance Table

Nozzle Color (mm)	P (bar)	Q (m ³ /h)	D (m)
3.0 Red	2.0	0.510	23
	3.0	0.630	24
	4.0	0.720	25
3.2 Green	2.0	0.570	23
	3.0	0.700	24
	4.0	0.810	26
3.5 Blue	2.0	0.660	23
	3.0	0.810	24
	4.0	0.930	26
4.0* Black	2.0	0.850	24
	3.0	1.030	26
	4.0	1.180	26

*Standard nozzle

* Performance table prepared under laboratory conditions

* For windy conditions use closer spacing



LPD FOR IRRISTAND

IrriStand Leakage Prevention Device



Applications:

- Prevents drainage from the irrigation system on start up and shut down
- Maintains a full irrigation system and ensures uniform irrigation in each area at a given time
- Contributes to efficient irrigation, high-quality peak yields and significant savings of water and fertilizers
- Prevents destruction of crop rows (raised beds) and damage to bulb and root crops caused by exposure to light

Structure and features

- High flow design at minimum head losses
- Durable plastic, resistant to breakage, radiation and fertilizers
- Used as an adaptor for Stand 52 (F $\frac{1}{2}$ x 12 barb) and Stand 56 (F $\frac{1}{2}$ x 16 barb)
- Connects to Amirit stands and $\frac{1}{2}$ " and $\frac{3}{4}$ " risers
- Recommended working pressure: 2-4 bar

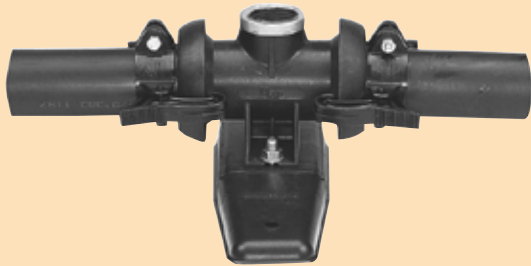
Technical data

Discharge (l/h)	Opening pressure (m)	Closing pressure (m)	Head loss (m)
up to 750	11.0	6.0	0.8
750-1500	14.0	8.0	2.6

Product range

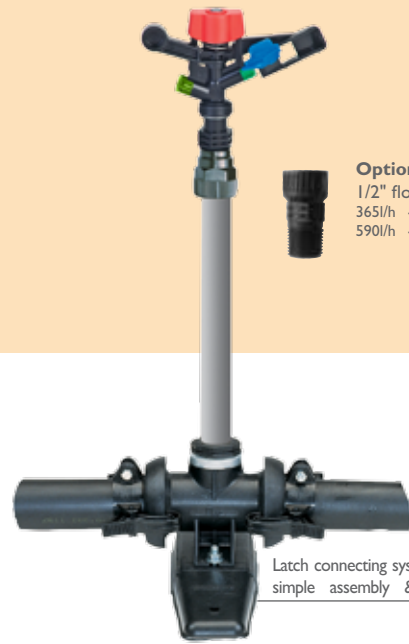
Description	Catalog no.	
IrriStand 52 LPD barb 12 mm	790512	
IrriStand 56 LPD barb 16 mm	790516	
Universal 1/2" LPD (for Amirit)	790601	
Universal 3/4" x 1/2" LPD (for Amirit)	790602	

AMIRIT



50mm Quick Coupling Base with 3/4" and 1" Outlets

50 mm quick coupling riser base for solid-set sprinkler systems



Optional:
 1/2" flow regulator
 365l/h - Item 482621
 590l/h - Item 482630

Latch connecting system for quick, simple assembly & disassembly

Applications:

- A very efficient sprinkler base for solid-set sprinkler systems to enable quick and easy assembly & disassembly of PE pipes
- Suitable for all solid-set and semi-permanent sprinkler irrigation systems used for irrigating field crops, such as potatoes, carrots, peanuts and others.

Structure and Features:

- For use with 50 mm PE pipes of minimum 2.5 mm wall thickness
- Special reinforced latches and clamp for maximum strength
- Clamps with internal sharp teeth for maximal grip on the pipe
- Reliable clamps and latch connector system for easy and quick installation - saves installation time and labor
- Can be easily assembled and dismantled in the field
- Does not involve welding of the male and female ends to the PE pipes and is therefore more convenient to transport and handle
- Any spacing between the sprinklers on the lateral is possible because the ends are not welded to the pipes
- Well designed gaskets prevent leakages under low pressure conditions during start-up and at end of irrigation
- Can be used with wide range of sprinklers: 5022 SD U, 5022 SD, 6025 SD, 427 and Super 10
- For operating pressure range 1.5 - 4 bar
- 50 mm PE pipe available either in segments of 9 m, 10 m, and 12 m, or as coils (can be supplied on request)
- All parts available as spares

NEW

Amirit reinforced ring with elastic latch hooks can withstand harsh field conditions



Jl-1



Overhead sprinklers

Metal impact sprinkler 1/2" male

Applications: all overhead irrigation of crops with solid-set

Mechanized, or hand-line systems

- High water distribution with spacing up to 12 m
- Durable, heavy-duty all-brass construction
- Recommended pressure: 2.0-3.0 bar

Jl-1 Performance Table

Nozzle (mm)	P (bar)	Q (m ³ /h)	D (m)
3.5	2.0	0.616	23
	3.0	0.756	24
4.0	2.0	0.806	23
	3.0	0.987	24
4.5	2.0	1.020	23
	3.0	1.249	25
3.5x2.5	2.0	1.020	23
	3.0	1.248	24
4.0x2.5	2.0	1.212	23
	3.0	1.482	24
4.5x2.5	2.0	1.422	23
	3.0	1.740	25

423 AG



Overhead sprinklers

Full- and part-circle metal impact sprinkler 1/2" male or 3/4" female

Specifically designed for irrigation of field edges

Applications: all overhead irrigation of crops

- High water distribution with spacing up to 14 m
- Durable, heavy-duty, construction
- Sand and dust protection sleeve ensures reliable operation and durability
- WP - Hammer ensures all water inside pattern and prevents irrigating roads and neighbors.

423 AG Performance Table

Nozzle Color (mm)	P (bar)	Q (m ³ /h)	D (m)
3.2 Green	2.0	0.570	23
	3.0	0.700	25
	4.0	0.810	26
3.5 Blue	2.0	0.660	24
	3.0	0.810	26
	4.0	0.930	27
4.0* Black	2.0	0.850	25
	3.0	1.030	27
	4.0	1.180	28

*Standard nozzle

* Performance table prepared under laboratory conditions

* For windy conditions use closer spacing

233B



Overhead sprinklers

Metal impact sprinkler 3/4" male or female

Applications: all overhead irrigation of crops with solid-set, mechanized or handline systems

Irrigation under frost conditions in vineyards, orchards and vegetables

- High water distribution with spacing up to 20 m
- Color-coded bayonet nozzle for easy service
- Integrated stream-straightening vane for maximum range
- Sand and dust protection sleeve ensures reliable operation and durability
- Red cap completely seals and protects drive spring and protects from frost damage
- New rear nozzle 2.5L for improved performances.



233B PerformanceTable

Precipitation rates (mm/hr) and uniformity (CU) at various spacing

Sleeve Color	Nozzle Color (mm)	P (bar)	Q (m ³ /h)	D (m)	Spacing (m)							
					12x12	12x15	12x18	15x15	15x18	18x18	18x20	20x20
Red	3.5x2.5L Blue	3.0	1.240	27.0	8.6	6.9	5.7	5.5	4.6	3.8		
		4.0	1.430	29.0	9.9	7.9	6.6	6.4	5.3	4.4		
		5.0	1.620	29.0	11.3	9.0	7.5	7.2	6.0	5.0		
	4.0*2.5L Black	3.0	1.490	29.0	10.3	8.3	6.9	6.6	5.5	4.6		
		4.0	1.740	29.0	12.1	9.7	8.1	7.7	6.4	5.4		
		5.0	1.950	29.0	13.5	10.8	9.0	8.7	7.2	6.0		
4.5x2.5L Brown	3.0	1.790	30.0	12.4	9.9	8.3	8.0	6.6	5.5	5.0		
	4.0	2.070	31.0	14.4	11.5	9.6	9.2	7.7	6.4	5.8		
	5.0	2.320	32.0	16.1	12.9	10.7	10.3	8.6	7.2	6.4		
Black	5.0x2.5L Purple	3.0	2.110	32.0	14.7	11.7	9.8	9.4	7.8	6.5	5.9	5.3
		4.0	2.400	34.0	16.7	13.3	11.1	10.7	8.9	7.4	6.7	6.0
		5.0	2.690	35.0	18.7	14.9	12.5	12.0	10.0	8.3	7.5	6.7
	5.5x2.5L Orange	3.0	2.390	34.0	16.6	13.3	11.1	10.6	8.9	7.4	6.6	6.0
		4.0	2.760	37.0	19.2	15.3	12.8	12.3	10.2	8.5	7.7	6.9
		5.0	3.090	39.0	21.5	17.2	14.3	13.7	11.4	9.5	8.6	7.7
	6.0x2.5L Red	3.0	2.700	37.0	18.8	15.0	12.5	12.0	10.0	8.3	7.5	6.8
		4.0	3.160	37.0	21.9	17.6	14.6	14.0	11.7	9.8	8.8	7.9
		5.0	3.540	40.0	24.6	19.7	16.4	15.7	13.1	10.9	9.8	8.9

Color code - Distribution uniformity	CU > 92%	CU 88-92%	CU 85-88%	CU < 85%
--------------------------------------	----------	-----------	-----------	----------

Rear nozzle color: 2.5L - grey
Do not change nozzles from Red Sleeve group to Black Sleeve Group or vice-versa.

- * Performance table prepared under laboratory conditions
- * For windy conditions use closer spacing

233B PerformanceTable

Sleeve Color	Nozzle Color (mm)	P (bar)	Q (m ³ /h)	D (m)
Red	3.5 Blue	3.0	0.790	27
		4.0	0.910	28
		5.0	1.020	29
	4.0* Black	3.0	1.040	29
		4.0	1.200	29
		5.0	1.350	29
4.5 Brown	3.0	1.320	30	
	4.0	1.540	32	
	5.0	1.710	33	
Black	5.0 Purple	3.0	1.610	33
		4.0	1.870	35
		5.0	2.100	37
	5.5 Orange	3.0	1.930	36
		4.0	2.230	38
		5.0	2.490	38
	6.0 Red	3.0	2.260	36
		4.0	2.620	38
		5.0	2.940	41

*Standard nozzle
Do not change nozzles from "Red" Sleeve" group to "Black Sleeve" Group or vice versa.

233 PC



Overhead Part-Circle Metal Sprinkler

3/4" part-circle metal impact sprinkler for field boundaries to achieve high uniformity when combined with full-circle sprinklers

Specifically designed for irrigating field boundaries and edges

Applications: Full coverage overhead irrigation of field crops and pastures

- 3/4" metal adjustable part-circle sprinkler
- Available with both male and female BSP or NPT end connections
- Unique plastic part-circle mechanism
- High water distribution with spacing up to 20 m
- Color-coded bayonet nozzle for easy service
- Stream-straightening vane for maximum range
- Red cap protects drive spring

233 PC PERFORMANCE TABLE

Nozzle Color (mm)	P (bar)	Q (m ³ /h)	D (m)
4.0 Black	3.0	1.040	28.0
	4.0	1.200	29.0
	5.0	1.350	29.0
4.5 Brown	3.0	1.320	31.0
	4.0	1.540	32.0
	5.0	1.710	32.0
5.0 Purple	3.0	1.610	33.0
	4.0	1.870	34.0
	5.0	2.100	35.0



433 PC



Overhead sprinklers

Part-circle metal impact sprinkler 3/4" female

Specifically designed for irrigation of field edges

Applications: all overhead irrigation of crops

- High water distribution with spacing up to 18 m
- WP - Hammer ensures all water inside pattern and prevents irrigating roads and neighbors.
- Durable, heavy-duty, construction
- Sand and dust protection sleeve ensures reliable operation and durability

433 PC Performance Table

Nozzle Color (mm)	P (bar)	Q (m ³ /h)	D (m)
3.2 Green	2.0	0.570	23
	3.0	0.700	25
	4.0	0.810	26
3.5 Blue	2.0	0.660	24
	3.0	0.810	26
	4.0	0.930	27
4.0* Black	2.0	0.850	25
	3.0	1.030	27
	4.0	1.180	28

*Standard nozzle

* Performance table prepared under laboratory conditions

* For windy conditions use closer spacing



5035 SD



Overhead sprinklers

Plastic impact sprinkler
3/4" male

Applications: general field use with solid-set irrigation systems

- Unique hammer combined with SD (super diffuser) plate - designed for uniform distribution with single or dual nozzles
- High water distribution with spacing up to 20m
- Higher resistance to wind
- Color-coded bayonet nozzle for easy service
- Integrated stream-straightening vane for maximum range
- High-impact, heavy-duty plastic materials provide resistance to corrosion, chemicals and UV radiation

5035 SD Performance table - Dual nozzle, Blue short SD

Precipitation rates (mm/hr) and uniformity (CU) at various spacing

Sleeve Color	Nozzle Color (mm)	P (bar)	Q (m ³ /h)	D (m)	Spacing (m)					
					12x15	12x18	15x15	15x18	18x18	20x20
Red	3.5x2.5L Blue	3.0	1.240	27.2	6.9	5.7	5.5	4.6	3.8	3.1
		4.0	1.430	27.2	7.9	6.6	6.4	5.3	4.4	3.6
		5.0	1.620	27.2	9.0	7.5	7.2	6.0	5.0	4.1
	4.0x2.5L Black	3.0	1.490	28.0	8.3	6.9	6.6	5.5	4.6	3.7
		4.0	1.740	29.0	9.7	8.1	7.7	6.4	5.4	4.4
		5.0	1.950	29.2	10.8	9.0	8.7	7.2	6.0	4.9
Black	4.5x2.5L Brown	3.0	1.790	29.7	9.9	8.3	8.0	6.6	5.5	4.5
		4.0	2.070	30.2	11.5	9.6	9.2	7.7	6.4	5.2
		5.0	2.320	32.2	12.9	10.7	10.3	8.6	7.2	5.8
	5.0x2.5L Purple	3.0	2.110	31.5	11.7	9.8	9.4	7.8	6.5	5.3
		4.0	2.400	33.2	13.3	11.1	10.7	8.9	7.4	6.0
		5.0	2.690	35.2	14.9	12.5	12.0	10.0	8.3	6.7
	5.5x2.5L Orange	3.0	2.390	32.2	13.3	11.1	10.6	8.9	7.4	6.0
		4.0	2.760	34.2	15.3	12.8	12.3	10.2	8.5	6.9
		5.0	3.090	35.0	17.2	14.3	13.7	11.4	9.5	7.7
	6.0x2.5L Red	3.0	2.700	34.2	15.0	12.5	12.0	10.0	8.3	6.8
		4.0	3.160	36.0	17.6	14.6	14.0	11.7	9.8	7.9
		5.0	3.540	34.0	19.7	16.4	15.7	13.1	10.9	8.9

5035 SD Performance table - Singel nozzle, Black long SD

Precipitation rates (mm/hr) and uniformity (CU) at various spacing

Sleeve Color	Nozzle Color (mm)	P (bar)	Q (m ³ /h)	D (m)	Spacing (m)						
					12x15	12x18	15x15	15x18	18x18	20x20	
Red	3.5 Blue	2.5	0.720	24.0	4.0	3.3	3.2				
		3.0	0.790	24.0	4.4	3.7	3.5				
		4.0	0.910	25.0	5.1	4.2	4.0	3.4			
	4.0 Black	5.0	1.040	25.0	5.8	4.8	4.6	3.9			
		2.5	0.950	26.0	5.3	4.4	4.2	3.5			
		3.0	1.040	26.0	5.8	4.8	4.6	3.9			
Black	4.5 Brown	4.0	1.200	26.0	6.7	5.6	5.3	4.4	3.7		
		5.0	1.350	28.0	7.5	6.3	6.0	5.0	4.2		
		2.5	1.210	28.0	6.7	5.6	5.4	4.5			
	5.0 Purple	3.0	1.320	28.0	7.3	6.1	5.9	4.9	4.1		
		4.0	1.540	29.0	8.5	7.1	6.8	5.7	4.7		
		5.0	1.710	30.0	9.5	7.9	7.6	6.3	5.3		
	5.5 Orange	2.5	1.460	29.0	8.1	6.8	6.5	5.4	4.5		
		3.0	1.610	29.0	8.9	7.5	7.2	6.0	5.0	4.0	
		4.0	1.870	31.0	10.4	8.7	8.3	6.9	5.8	4.7	
		5.0	2.100	32.0	11.7	9.7	9.3	7.8	6.5	5.3	
		6.0 Red	2.5	1.760	30.0	9.8	8.1	7.8	6.5	5.4	4.4
			3.0	1.930	31.0	10.7	8.9	8.6	7.1	6.0	4.8
	4.0		2.230	34.0	12.4	10.3	9.9	8.3	6.9	5.6	
	6.0 Red	5.0	2.490	35.0	13.8	11.5	11.1	9.2	7.7	6.2	
		2.5	2.060	30.0	11.4	9.5	9.2	7.6	6.4	5.2	
		3.0	2.260	32.0	12.6	10.5	10.0	8.4	7.0	5.7	
	6.0 Red	4.0	2.620	34.0	14.6	12.1	11.6	9.7	8.1	6.6	
		5.0	2.940	36.0	16.3	13.6	13.1	10.9	9.1	7.4	

Color code - Distribution uniformity CU > 92% CU 88-92% CU 85-88% CU < 85%

Performance table under review

Rear nozzle color : 2.5L - grey,

Do not change nozzles from Red sleeve group to Black sleeve group or vice versa.

* Performance table prepared under laboratory conditions

* For windy conditions use closer spacing

For single nozzle or dual nozzle sprinkler be sure using the recommended SD unit (appears above performance table)

5035 SD PC



Overhead sprinklers

Part-circle plastic impact sprinkler
3/4" male

Applications: irrigation of edges in various field crops

- Unique and innovative PC (Part Circle) impact sprinkler.
- Unique hammer combined with SD (super diffuser) plate - designed for uniform distribution when combined with full circle sprinkler.
- Good performance at low pressure (see chart).
- Color-coded bayonet nozzles for easy service.
- Integrated stream-straightening vane for maximum range.
- High-impact, heavy-duty plastic materials provide resistance to corrosion, chemicals and UV radiation.

5035 SD PC PERFORMANCE TABLE

Nozzle color (mm)	P (bar)	Q (m ³ /h)	D (m)
3.5* Blue	2.5	0.720	26
	3.0	0.790	27
	4.0	0.910	27
	5.0	1.020	28
4.0 Black	2.5	0.950	27
	3.0	1.040	28
	4.0	1.200	28
	5.0	1.350	29
4.5 Brown	2.5	1.210	28
	3.0	1.320	30
	4.0	1.540	31
	5.0	1.710	32
5.0 Purple	2.5	1.460	30
	3.0	1.610	31
	4.0	1.870	33
	5.0	2.100	34

*Standard nozzle

* Performance table prepared under laboratory conditions

* For windy conditions use closer spacing



5035 G



Overhead sprinklers

Plastic impact sprinkler
1" female

Applications: general field use with solid-set irrigation systems

- High water distribution with spacing up to 22m
- Color-coded bayonet nozzle for easy service
- Integrated stream-straightening vane for maximum range
- High-impact, heavy-duty plastic materials provide resistance to corrosion, chemicals and UV radiation

5035-G-1" Performance Table

Precipitation rates (mm/hr) and uniformity (CU) at various spacing

Nozzle Color (mm)	P (bar)	Q (m ³ /h)	D (m)	Spacing (m)			
				12x18	18x18	20x20	22x22
6.5x2.5L Grey	3.0	3.070	34.0	14.2	9.5	7.7	6.2
	4.0	3.550	36.5	16.4	11.0	8.9	7.1
	5.0	3.970	37.0	18.4	12.3	9.9	8.0
6.5x3.2 Grey	3.0	3.200	35.0	14.8	9.9	8.0	6.6
	4.0	3.700	37.0	17.1	11.4	9.3	7.6
	5.0	4.150	36.0	19.2	12.8	10.4	8.6
7.0x2.5L Green	3.0	3.450	35.0	16.0	10.6	8.6	7.0
	4.0	3.970	38.5	18.4	12.3	9.9	8.1
	5.0	4.390	37.0	20.3	13.5	11.0	9.0
7.0x3.2 Green	3.0	3.550	35.0	16.4	11.0	8.9	7.3
	4.0	4.100	37.0	19.0	12.7	10.3	8.5
	5.0	4.600	35.0	21.3	14.2	11.5	9.5

*Standard nozzle
Rear nozzle color : 2.5L - grey; 3.2 mm - orange

Color code - Distribution uniformity	CU > 92%	CU 88-92%	CU 85-88%	CU < 85%
--------------------------------------	----------	-----------	-----------	----------

* Performance table prepared under laboratory conditions

* For windy conditions use closer spacing



234



Overhead sprinklers

Metal impact sprinkler 1" female

Applications: all overhead irrigation of crops with solid-set, mechanized or hand-line systems.

- High water distribution with spacing up to 24 m.
- Color-coded bayonet nozzles for easy service.
- Integrated stream-straightening vane for maximum range.
- Sand, and dust protection sleeve ensures reliable operation and durability.
- Red-cap completely seals and protects the drive spring and protects from frost damage.



234 Performance Table

Precipitation rates (mm/hr) and uniformity (CU) at various spacing

Nozzles color mm	P (bar)	Q (m ³ /h)	D (m)	Spacing (m)			
				18x18	20x20	20x24	24x24
5.0x3.2 Purple	3.0	2.210	32	6.8	5.5		
	4.0	2.530	34	7.9	6.4		
	5.0	2.840	35	8.8	7.2		
5.5x3.2 Orange	3.0	2.500	34	7.7	6.2	5.2	4.3
	4.0	2.900	37	8.9	7.2	6.0	5.0
	5.0	3.250	39	10.0	8.1	6.8	5.6
6.0x3.2 Red	3.0	2.810	37	8.8	7.1	5.9	4.9
	4.0	3.300	37	10.1	8.2	6.8	5.7
	5.0	3.700	40	11.3	9.1	7.6	6.3
6.5x3.2 Grey	3.0	3.200	37	9.9	8.0	30.5	5.6
	4.0	3.700	37	11.4	9.3	35.2	6.4
	5.0	4.150	40	12.8	10.4	39.5	7.2
7.0x3.2 Green	3.0	3.550	38	11.0	8.9	7.4	6.2
	4.0	4.100	41	12.7	10.3	8.5	7.1
	5.0	4.600	43	14.2	11.5	9.6	8.0

Rear nozzle color : 3.2mm - orange

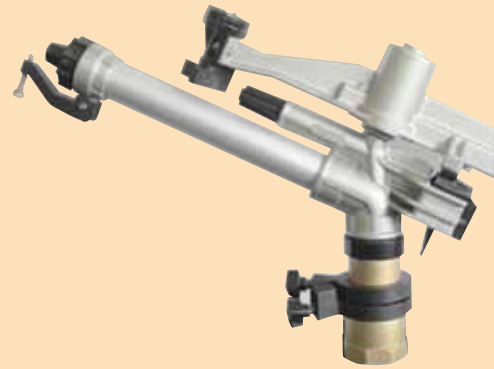
Color code - Distribution uniformity	CU > 92%	CU 88-92%	CU 85-88%	CU < 85%
--------------------------------------	----------	-----------	-----------	----------

* Performance table prepared under laboratory conditions

* For windy conditions use closer spacing

280

280 PC



Overhead sprinklers

Giant sprinkler, 2" female

Applications: permanent and supplementary irrigation of sugarcane, maize, and cotton crops, pastures and plantations

- High water distribution with spacing up to 50 m
- Slow rotation at uniform speed
- Lightweight and easy to handle
- Adjustable diffuser screws for each nozzle allows stream breakage at low pressure conditions
- Non-clog straightening vane to ensure excellent coverage in windy conditions

280 Performance Table

Nozzle Color (mm)	P (bar)	Q (m ³ /h)	D (m)
12.0x8.0	1.5	9.50	40
	2.0	11.0	46
	3.0	13.40	54
	4.0	15.50	60
	5.0	17.30	65
14.0x8.0	2.0	13.80	50
	3.0	16.80	58
	4.0	19.50	64
	5.0	21.80	68
16.0x8.0*	2.0	16.90	54
	3.0	20.60	62
	4.0	23.90	68
	5.0	26.70	74
18.0x8.0	2.0	20.60	56
	3.0	26.00	66
	4.0	30.30	72
	5.0	33.60	80
20.0x8.0	2.0	24.60	58
	3.0	31.20	68
	4.0	36.30	76
	5.0	39.40	86
22.0x8.0	3.0	35.40	69
	4.0	40.90	78
	5.0	45.90	88
	6.0	50.30	93



*Standard nozzle

- * Performance table prepared under laboratory conditions
- * For windy conditions use closer spacing
- * Recommended working pressure minimum 3.0 bar

Overhead sprinklers

Full- and part-circle giant sprinkler, 2" female

Specifically designed for irrigation of field edges

Applications: permanent or mechanized irrigation of sugarcane fields, horse pastures, paddocks, arenas, feedlots, sod farms and for dust control

- Slow-return mechanism ensures safe operation
- Lightweight and easy to handle
- Adjustable diffuser screws allows stream breakage at low pressure conditions
- Interchangeable plastic nozzles
- Non-clog straightening vane for wider irrigation range and windresistance

280PC Performance Table

Nozzle Color (mm)	P (bar)	Q (m ³ /h)	D (m)
12.0x8.0	1.5	9.50	40
	2.0	11.0	46
	3.0	13.40	54
	4.0	15.50	60
	5.0	17.30	65
14.0x8.0	2.0	13.80	50
	3.0	16.80	58
	4.0	19.50	64
	5.0	21.80	68
16.0x8.0*	2.0	16.90	54
	3.0	20.60	62
	4.0	23.90	68
	5.0	26.70	74
18.0x8.0	2.0	20.60	56
	3.0	26.00	66
	4.0	30.30	72
	5.0	33.60	80
20.0x8.0	2.0	24.60	58
	3.0	31.20	68
	4.0	36.30	76
	5.0	39.40	86
22.0x8.0	3.0	35.40	69
	4.0	40.90	78
	5.0	45.90	88
	6.0	50.30	93

*Standard nozzle

- * Performance table prepared under laboratory conditions
- * For windy conditions use closer spacing
- * Recommended working pressure minimum 3.0 bar

MagicDrive LA PAT. PENDING



Undertree sprinklers

Non-Impact 1/2" low volume sprinkler.
Two available models 9° & 14°.

- Maintenance free
- Extended longevity. No wear and tear
- Special long term warranty

Applications: orchards and plantations, especially bananas and table grape for full coverage irrigation. MagicDrive 14° also for irrigation and germination of vegetables and field crops

Structure and features:

- Maintenance free for long lifespan
- Can function with contaminated water
- Hermetically-sealed silicone chamber protects silicone from leakage
- Silicone with magnets ensure constant rotation speed and prevents wear and tear
- Can function with contaminated water
- Special synchronized diffuser mechanism SECTORS ensures high resistance to wind.
- Color coded nozzle and swivel.
- High-impact and heavy duty plastic materials for resistance to corrosion and UV radiation

Group	Swivel	Diffuser	Nozzle color (mm)	P (bar)	Q (m ³ /h)	D (m)	MSH (cm)
G4	Purple 9°	Green	2.6 Yellow	1.5	0.310	18	70-100
				2.0	0.365	18	
				2.5	0.410	18	
				3.0	0.450	18	
				3.5	0.490	18	
			2.8 Green	1.5	0.360	18	70-100
				2.0	0.415	18	
				2.5	0.465	18	
				3.0	0.510	18	
				3.5	0.550	18	
G5	Purple 9°	Green	3.0 Light Brown	1.5	0.415	17	80-100
				2.0	0.485	17	
				2.5	0.545	17	
				3.0	0.595	18	
				3.5	0.650	18	
			3.2 Red	1.5	0.465	17	80-110
				2.0	0.545	17	
				2.5	0.615	18	
				3.0	0.680	18	
				3.5	0.730	18	

MSH: Maximum Stream Height

Group	Swivel	Diffuser	Nozzle color (mm)	P (bar)	Q (m ³ /h)	D (m)	MSH (cm)	Spacing (m)				
								9x9	10x10	10x12	12x12	
G4	Gold 14°	Yellow	2.6 Yellow	1.5	0.310	18	120-140	3.8	3.1	2.6	2.2	
				2.0	0.365	19		4.5	3.7	3.0	2.5	
				2.5	0.410	19		5.1	4.1	3.4	2.8	
				3.0	0.450	19		5.5	4.5	3.8	3.1	
				3.5	0.490	19		6.0	4.9	4.1	3.4	
			2.8 Green	1.5	0.360	18		120-140	4.4	3.6	3.0	2.5
				2.0	0.415	19			5.1	4.2	3.5	2.9
				2.5	0.465	20			5.7	4.7	3.9	3.2
				3.0	0.510	20			6.2	5.1	4.3	3.5
				3.5	0.550	20			6.8	5.5	4.6	3.8
G5	Light Brown 14°	Yellow	3.0 Light Brown	1.5	0.415	21	120-150	5.0	4.2	3.5	2.9	
				2.0	0.485	22		6.0	4.9	4.0	3.4	
				2.5	0.545	22		6.7	5.5	4.5	3.8	
				3.0	0.595	23		7.3	6.0	5.0	4.1	
				3.5	0.650	23		8.0	6.5	5.4	4.5	
			3.2 Red	1.5	0.465	21		130-150	5.6	4.7	3.9	3.2
				2.0	0.545	22			6.8	5.5	4.5	3.8
				2.5	0.615	23			7.7	6.2	5.1	4.3
				3.0	0.680	23			8.4	6.8	5.7	4.7
				3.5	0.730	23			8.9	7.3	6.1	5.1

* Performance table prepared under laboratory conditions
* For windy conditions use closer spacing

Color code - Distribution uniformity	CU > 92%	CU 88-92%	CU 85-88%	CU 80-85%	CU < 80%
--------------------------------------	----------	-----------	-----------	-----------	----------

Opal



Undertree sprinklers

Sprinkler with silicone motion controller, 1/2" or 3/8" male thread and female Acme thread

- Silicone motion controller for longer radius of throw
- Various angles: 5°, 9° & 15° for wide range of applications
- Unique swivel for protecting against snails
- Optimal water stream and droplet size for high resistance to wind

Applications: For irrigation of orchards, nurseries, greenhouses and very low growing crops

Main features

- Available with three different low angles:
 - 5° & 9° for very low growing crops
 - 15° for under tree irrigation with uniform distribution.
- Unique swivel design protects damage caused by snails.
- Low impact droplet and low application rate
- Recommended working pressure: 2.0 - 3.5 bar
- Flow range: 65 - 490 l/h
- High resistance to breakage, corrosion, UV radiation and fertilizers



1/2" male thread

female acme thread

3/8" male thread

OPAL PERFORMANCE TABLE

5° and 9° low angles for low growing crops and very low canopy

Swivel	Nozzle	Color	Flow in l/h					D (m)	msh (cm)
			P (Bar)						
			1.5	2	2.5	3	3.5		
Z7 5° red	1.1	L. Blue	60	65	75	80	85	9.0-9.5	20-30
	1.2	L. Purple	70	80	90	100	105		
	1.3	Dk.Green	80	90	100	110	120		
Z8 9° white	1.4	L. Yellow	95	110	120	135	145	12.0-12.5	50-60
	1.5	Red	105	125	140	150	160		
Z9 9° blue	1.6	Grey	125	150	165	180	195	12.0-13.0	70-85
	1.8	White	155	180	200	220	235		
	2.0	Blue	190	215	245	265	285		

15° for undertree application such as banana irrigation and fertigation

Z10 15° purple	1.6	Grey	125	150	165	180	195	13.0-14.0	135-145
	1.8	White	155	180	200	220	135		
	2.0	Blue	190	215	245	265	185		
Z10J 15° light purple*	1.6	Grey	125	150	165	180	195	17.0-18.0	100-110
	1.8	White	155	180	200	220	235		
	2.0	Blue	190	215	245	265	285		
Z11 15° orange	2.2	Orange	230	265	295	325	350	15.0-16.0	135-145
	2.4	Purple	270	315	350	380	415		
	2.6	Yellow	320	370	415	455	490		
Z10J 15° light purple*	2.2	Orange	230	265	295	325	350	16.0-18.0	115-135
	2.4	Purple	270	315	350	380	415		
	2.6	Yellow	320	370	415	455	490		

* Special swivel Z10J for windy conditions

* Performance table prepared under laboratory conditions

* For windy conditions use closer spacing



501, 502



501



502

Undertree sprinklers

Low angle, low-volume sprinklers
1/2" male or female

Applications: nurseries, orchards and greenhouses

- Turbo hammer mechanism provides excellent water distribution uniformity and smooth operation at low pressure rate
- Fine water droplets prevent formation of crust and drainage, providing perfect germination conditions
- Color-coded nozzles for easy identification
- Simple construction facilitates easy maintenance
- Stainless-steel spring and shaft are resistant to corrosion
- High-impact, heavy-duty plastic materials provide resistance to corrosion, chemicals and UV radiation

501 PerformanceTable

Nozzle Color (mm)	P (bar)	Q (l/h)	D (m)	msh (cm)
1.6 Red	1.0	81	8.5	35
	2.0	117	11.0	60
	3.0	144	12.0	70
1.8* Green	1.0	113	9.0	55
	2.0	160	11.5	60
	3.0	196	12.5	70
2.0 Blue	1.0	135	9.5	45
	2.0	195	11.5	55
	3.0	236	13.0	70
2.2 Yellow	1.0	153	9.5	60
	2.0	219	13.0	85
	3.0	267	15.0	95

*Standard nozzle
msh = max. stream height (above nozzle)

502 PerformanceTable

Nozzle Color (mm)	P (bar)	Q (l/h)	D (m)	msh (cm)
2.5 Orange	1.0	184	11.0	55
	2.0	263	12.0	85
	3.0	318	13.0	95
2.8 Brown	1.0	209	12.0	60
	2.0	299	13.0	90
	3.0	359	14.0	105

msh = max. stream height (above nozzle)

- * Performance table prepared under laboratory conditions
- * For windy conditions use closer spacing



Mamkad 16



Undertree sprinklers

Low-volume, plastic ball-driven sprinkler
1/2" male

Applications: orchards, vineyards and banana plantations

- Compact, sturdy, closed and protected ball engine
- Uniform water distribution at low pressure and precipitation rate
- Color-coded plastic low-trajectory nozzles for easy operation and service
- Extra-strong plastic compounds and ceramic washers reduce wear and tear
- Insect-resistant, pop-up pop-down nozzle
- Optional Flow Regulator (F.R.)
- Operating pressure: 2.0-4.0 bar w/o regulator
2.5-5.0 bar with regulator

Mamkad 16 Low Angle Performance Table

	Nozzle Color	P (bar)	Q (l/h)	D (m)	msh (cm)
Low Angle	Orange	2.0	180	13	60
		3.0	220	13	60
		4.0	255	13	60
	F.R.	2.5-5.0	180	13	60
	Red	2.0	225	13	65
		3.0	275	13	65
		4.0	320	13	65
	F.R.	2.5-5.0	225	13	65

msh = max. stream height (above nozzle)

* Performance table prepared under laboratory conditions

* For windy conditions use closer spacing



Super 10 LA



Super 10 Low Angle 10°
Blue Nozzle Body



Super 10 Low Angle 14°
Red Nozzle Body

Undertree sprinklers

Low angle, Low-volume, ball-driven sprinkler
1/2" male

Regulated - silver base

Non regulated - black base

Applications: orchards, vineyards and banana plantations.

- Available with two different low angles 10° and 14°
- High-impact, heavy-duty plastic materials provide resistance to corrosion fertilizers and UV radiation
- Compact, sturdy, closed and protected ball engine
- Color-coded bayonet nozzle for easy operation and service
- Optional Flow Regulator
- Operating pressure – 2.5-4.0 bar w/o regulator
3.0-5.0 bar with regulator



Super 10 LA Performance table

Nozzle Color	P (bar)	Q (l/h)	Super 10 Low Angle 10° Blue Nozzle Body		Super 10 Low Angle 14° Red Nozzle Body	
			D (m)	msh (cm)	D (m)	msh (cm)
Violet	2.5	360	15.5	60	17.5	90
	3.0	395	16	62	18	99
	3.5	425	16	64	18	111
	4.0	455	16	68	18	114
F.R.	3.0-5.0	360	15.5	60	17.5	90
Yellow	2.5	450	16.5	50	17.5	100
	3.0	495	16.5	55	18	105
	3.5	530	17	60	18	110
	4.0	570	16.5	65	17.5	115
F.R.	3.0-5.0	450	16.5	50	18.5	100
Green	2.5	550	16	55	16	105
	3.0	600	16.5	60	17.5	110
	3.5	650	17	70	18	115
	4.0	695	16.5	80	18.5	120
F.R.	3.0-5.0	550	16.5	60	18	100
Red	2.5	670	16.5	60	18.5	110
	3.0	735	17	65	19	115
	3.5	790	17.5	70	19	120
	4.0	850	17	80	19	125
F.R.	3.0-5.0	670	17	70	19	120

msh = max. stream height (above nozzle)

* Performance table prepared under laboratory conditions

* For windy conditions use closer spacing

Product range

Nozzle Color (mm)	Q (l/h)	Super 10 Low Angle 10° Blue Nozzle Body		Super 10 Low Angle 14° Red Nozzle Body	
		Super 10 Catalog no.	Super 10 Regulated Catalog no.	Super 10 Catalog no.	Super 10 Regulated Catalog no.
Violet	360	335344	336344	335744	336744
Yellow	450	335346	336346	335746	336746
Green	550	335342	336342	335742	336742
Red	670	335347	336347	335747	336747

Super 10 Regulated with silver base

5024 SD



Undertree sprinklers

1/2" male impact plastic SD sprinkler with low angle (12°) and low volume



Anti-theft adaptor



Wrench for Anti-theft adaptor

Applications: orchards and plantations, especially table grapes and bananas, or any other full coverage irrigation in orchards

- 12° low angle body with lower trajectory for optimal undertree irrigation
- Unique hammer with SD (super-diffuser) plate for uniform distribution
- Operating pressure range: 1.5 – 4.0 bar
- High uniformity even at low pressure (1.5 bar)
- Color-coded bayonet nozzles for easy service
- Resistance to UV radiation and accidental impact
- Optional with Anti-theft adaptor



5024 SD PERFORMANCE TABLE

Sleeve color	Nozzle color (mm)	P (bar)	Q (l/h)	D (m)	MSH* (cm)
Red	2.5 Purple	1.5	285	14.0	100
		2.0	350	16.0	
		2.5	390	17.0	
		3.0	430	18.0	
		3.5	460	18.0	
		4.0	490	18.0	
	2.8 Orange	1.5	365	16.0	110
		2.0	450	18.0	
		2.5	500	19.0	
		3.0	550	19.0	
3.5		590	20.0		
4.0		630	20.0		
Black	3.0 Red	1.5	430	17.0	120
		2.0	500	18.0	
		2.5	560	19.0	
		3.0	615	20.0	
		3.5	670	21.0	
	3.2 Green	1.5	510	17.0	125
		2.0	595	18.0	
		2.5	670	19.0	
		3.0	735	20.0	
		3.5	790	21.0	
3.5 Blue	1.5	580	18.0	127	
	2.0	675	19.0		
	2.5	755	20.0		
	3.0	830	21.0		
	3.5	900	22.0		
		4.0	965	23.0	

* MSH - Max. Stream Height (from nozzle)

* Performance table prepared under laboratory conditions

* For windy conditions use closer spacing

6004 SD



Undertree sprinklers

Very low angle (4°), low volume, plastic 1/2" male impact SD sprinkler

Applications: orchards and plantations, especially table grapes and bananas

- 4° low angle facilitates a flat stream, close to the ground, preventing the wetting of foliage.
- Unique hammer with SD (super-diffuser) plate for uniform distribution.
- Special arched water path for maximum coverage diameter.
- Resistance to UV radiation and accidental impact.
- Sprinkler drive mechanism prevents potential damage caused by snails.

6004 SD PERFORMANCE TABLE

Nozzle color (mm)	P (bar)	Q (l/h)	D (m)	MSH* (cm)
2.8 Orange	2.0	480	14.0	25
	2.5	530	15.0	
	3.0	584	16.0	
	3.5	630	17.0	
	4.0	675	17.5	
3.0 Red	2.0	525	14.0	28
	2.5	585	15.0	
	3.0	640	16.0	
	3.5	695	16.5	
	4.0	745	17.0	
3.2 Green	2.0	570	14.5	30
	2.5	640	15.5	
	3.0	700	16.5	
	3.5	765	17.0	
	4.0	815	18.0	

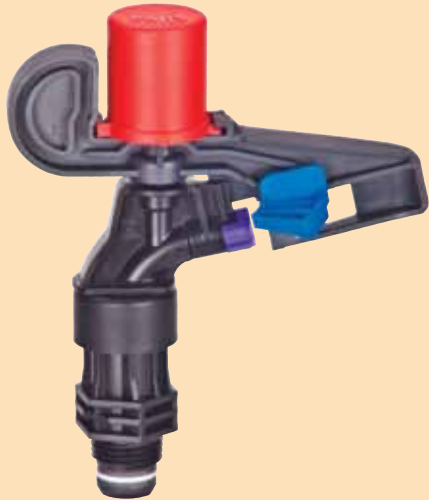
* MSH - Max. Stream Height (from nozzle)

* Performance table prepared under laboratory conditions

* For windy conditions use closer spacing



6024 SD



Undertree sprinklers

1/2" male impact plastic SD Sprinkler with low angle (12°) and low volume

Applications: orchards and plantations, especially table grapes and bananas for full coverage irrigation

- 12° low angle body with lower trajectory for optimal undertree irrigation
- Unique hammer with SD (super-diffuser) plate for uniform distribution
- Special arched water path for maximum coverage diameter
- Operating pressure range: 2.0 – 4.0 bar
- Smooth slanted planes minimize breakage caused by accidental impact
- Color-coded bayonet nozzles for easy service
- Resistance to UV radiation

6024 SD PERFORMANCE TABLE

Nozzle color (mm)	P (bar)	Q (l/h)	D (m)	MSH* (cm)
2.5 Purple	2.0	355	15.0	90
	2.5	400	18.0	
	3.0	440	18.0	
2.8 Orange	2.0	480	18.0	95
	2.5	540	19.0	
	3.0	595	20.0	
3.0 Red	2.0	520	18.0	100
	2.5	585	20.0	
	3.0	640	20.0	
3.2 Green	2.0	595	19.0	103
	2.5	670	20.0	
	3.0	730	20.0	

* MSH - Max. Stream Height (from nozzle)

* Performance table prepared under laboratory conditions

* For windy conditions use closer spacing



427 B



Applications: For residential and small public areas, also as hose-end on spike or sled bases

- Spacing up to 14 m
- Color-coded bayonet nozzles for easy service
- Integrated stream-straightening vane for maximum range
- High-impact, heavy-duty plastic materials provide resistance to corrosion, chemicals and UV radiation
- WP - Hammer ensures all water inside pattern and prevents irrigating roads and neighbors.

Sprinklers for Landscaping application

Plastic impact sprinkler

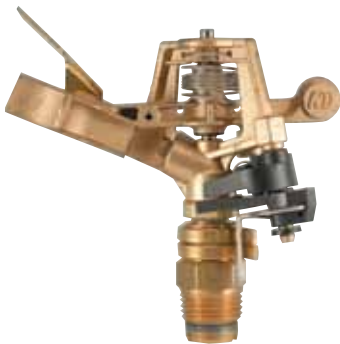
1/2" male or 3/4" female mounted on riser

Nozzle Color (mm)	P (bar)	Q (m ³ /h)	D (m)
2.8 Orange	2.0	0.450	
	3.0	0.550	
	4.0	0.630	
3.0 Red	2.0	0.510	23
	3.0	0.630	24
	4.0	0.720	25
3.2 Green	2.0	0.570	23
	3.0	0.700	24
	4.0	0.810	26
3.5 Blue	2.0	0.660	23
	3.0	0.810	24
	4.0	0.930	26
4.0* Black	2.0	0.850	24
	3.0	1.030	26
	4.0	1.180	26

* Performance table prepared under laboratory conditions

* For windy conditions use closer spacing

423 P



Specifically designed for irrigation of field edges

Applications: For residential and small public areas, also on spike or sled bases

- High water distribution with spacing up to 14 m
- Durable, heavy-duty, construction
- Sand and dust protection sleeve ensures reliable operation and durability
- WP - Hammer ensures all water inside pattern and prevents irrigating roads and neighbors.

Sprinklers for Landscaping application

Full- and part-circle metal impact sprinkler

1/2" male or 3/4" female

Nozzle Color (mm)	P (bar)	Q (m ³ /h)	D (m)
3.2 Green	2.0	0.570	23
	3.0	0.700	25
	4.0	0.810	26
3.5 Blue	2.0	0.660	24
	3.0	0.810	26
	4.0	0.930	27
4.0* Black	2.0	0.850	25
	3.0	1.030	27
	4.0	1.180	28

*Standard nozzle

* Performance table prepared under laboratory conditions

* For windy conditions use closer spacing

PopStar Plus 565



Sprinklers for Landscaping application
Gear-driven pop-up plastic sprinkler

Applications: For Public lawns, parks and private gardens

Main Features

- Excellent performance in a wide range of applications
- Easy tool-free hold & rotate arc adjustment
- Colour-coded nozzles for easy identification and monitoring
- Range of nozzles for adaptation of uniform irrigation rates to different irrigation sectors
- Uniform irrigation: distribution uniformity above CU 88%
- Quick and simple maintenance
- Ribbed canister for anti-vandalism anchoring• Ratchet mechanism for safe head rotation
- Unique nozzle design shape creates optimum close-to-sprinkler watering
- Arc memory for one-time arc adjustment. Designed especially for public areas

Technical data

- Pop-up height: 10 cm
- Irrigation arc: 40° - 360°
- Jet height: 2.3 - 3.0 m (according to nozzle and pressure)
- Recommended working pressure: 2.5 - 4.5 bar
- Spacing: up to 12 m
- Integral anti-drainage device: 1.2 m
- 3/4" water inlet

PopStar 565 PERFORMANCE TABLE

Nozzle Color	P (bar)	Q (m ³ /h)	D (m)	
			max.	min.
2 Gray	2.0	0.17	18.4	16.0
	3.0	0.20	18.4	16.0
	4.0	0.24	18.4	16.0
3 Purple	2.0	0.24	18.4	13.0
	3.0	0.30	18.4	13.0
	4.0	0.35	19.0	13.0
4 Orange	2.0	0.31	20.0	11.0
	3.0	0.39	21.0	11.0
	4.0	0.45	21.0	11.0
6* Green	2.0	0.52	22.0	17.0
	3.0	0.67	23.0	17.0
	4.0	0.78	23.0	17.0
8 Blue	2.0	0.62	22.0	18.0
	3.0	0.80	23.0	18.0
	4.0	0.93	23.0	18.0
9 Black	2.0	0.85	22.0	19.0
	3.0	1.10	24.0	19.0
	4.0	1.27	25.0	19.0

* standard nozzle



PopUp 805



Sprinklers for Landscaping application

Pop-up plastic impact sprinkler



Applications: For residential and public lawn,

Main Features

- Reliable impact plastic head for underground installation
- Colour-coded bayonet nozzles for easy service• Full- or part-circle pattern adjustment.
- Diffuser screw breaks water into smaller droplets for uniform watering
- Extra high 7.60 cm pop-up clearance
- Rugged ribbing case for maximum strength and durability, also provides anti-vandalism anchorage
- Sand-proof seals and removable filter screen for easy maintenance

Technical data

- Spacing between sprinklers: up to 12.0 m
- Pressure: 2.0 - 4.0 bar
- 1/2" Female water inlet

805 PERFORMANCE TABLE

Nozzle Color (mm)	P (bar)	Q (m ³ /h)	D (m)
2.8 Orange	2.0	0.450	21
	3.0	0.550	23
	4.0	0.630	23
3.0 Red	2.0	0.510	22
	3.0	0.630	24
	4.0	0.720	25
3.2 Green	2.0	0.570	23
	3.0	0.700	24
	4.0	0.810	25
3.5 Blue	2.0	0.660	23
	3.0	0.810	24
	4.0	0.930	26
4.0* Black	2.0	0.850	24
	3.0	1.030	25
	4.0	1.180	26



Accessories



Punch 4.5mm for stands 50/51 and 55

Item #: 6130210427



Wrench for 5022, 5024 & flow regulator

Item #: 5196338



Quick Drill 7.5mm for stand 52, 53

Item #: 6130210420



7.5 mm Punch & Pusher for Stand 52, 53

Item #: 6130210424



Wrench for 5035SD and 5035-G nozzles & tube connector

Item #: 5196325



Wrench for Super 10 & Mamkad 16

Item #: 830050



Anti-theft adaptor for 5024S & 5022SD

Item #: 5196346



Anti-theft wrench for 5024SD & 5022SD

Item #: 5196345

7.5 mm Punch & Pusher for Stand 52, 53

Item #: 6130210200





© NAANDANJAIN Ltd. 02/2016 P.1 | 4042

© 2016 NaanDanJain Ltd. All rights reserved.
All specifications are subject to change without notice.