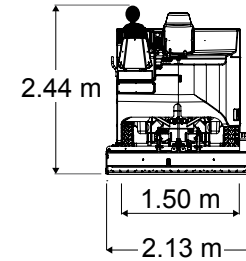
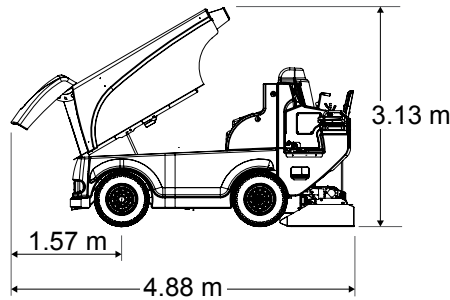
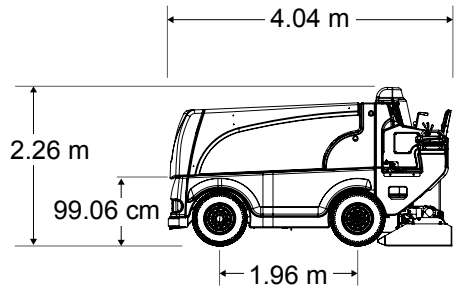


# MODEL 650 ELECTRIC



## CAPACITIES

### Snow Tank

Actual Volume	3.0 m <sup>3</sup>	106 cu. ft.
Compacted	3.74 m <sup>3</sup>	132 cu. ft.

### Water

Ice Making	757 L	200 gal.
Wash Water	227 L	60 gal.
Total	984 L	260 gal.

<b>Hydraulic Oil</b>	91 L	24 gal.
----------------------	------	---------

## POWERTRAIN

Four-Wheel Drive

### Motors

AC Hydraulic Pump Motor	8.2 kW	11 HP
AC Traction Motor	17.9 kW	24 HP

<b>Battery</b>	Accommodates a variety* of battery options up to 770Ah	
----------------	--------------------------------------------------------	--

### Axles

Front	2717 kg	5990 lb
Rear	4159 kg	9170 lb

## DIMENSIONS

### Overall

	L	W	H	L	W	H
Snow Tank Down	4.04 m	2.13 m	2.26 m	159 in.	84 in.	89 in.
Snow Tank Up	4.88 m	2.13 m	3.13 m	192 in.	84 in.	123 in.

### Shaving Blade

	L	W	H	L	W	H
195.6 cm   77 in. Blade	195.6 cm	12.7 cm	1.27 cm	77 in.	5 in.	0.5 in.

### Clearance

Minimum Operator Height Clearance		243.8 cm	96 in.
Snow Pit Clearance		99.06 cm	39 in.

### Conveyor System

Horizontal Auger Diameter	25.4 cm	10 in.
Vertical Auger Diameter	25.4 cm	10 in.

### Manueverability

Wheelbase	1.96 m	77 in.
Wheel Track	1.50 m	59 in.
Turning Radius at Conditioner	4.83 m	15 ft. 10 in.

### Weight

Empty	4853 kg	10700 lb
with Water	5670 kg	12500 lb



### Automatic Snow Breaker

Eliminates the need for manual control of the snow breaker by the machine operator.

\*optional equipment



### Zamboni Power Brush™

Wider brush path reaches higher on the dasher board kick plate for superior cleaning power.



### Ergonomic Seat

Designed with the operator in mind, our premium seat has optimal adjustability.

\*optional equipment

# MODEL 650 ELECTRIC

## STANDARD FEATURES

2 Year Warranty  
 400 Micron Wash Water Deep Filter Bag  
 Aluminum Alloy Wheels  
 Automatic Snow Breaker  
 Battery Charger: Microprocessor Controlled  
 Brushless AC Motors  
 Chassis: Strong All Welded Steel Tubing  
 Conditioner Safety Guards  
 Dependable Sevcon® Gen4 Controls  
 Digital Training and Reference Materials  
 Dual Water Fill Pipes  
 Electric Water Level Gauge  
 Familiar Automobile-Style Foot Controls  
 Four-Wheel Drive  
 Guide Wheel  
 Headlights and Tail Light (for off ice travel)  
 High Quality 9 Micron Filter  
 High Speed Vertical Auger  
 Hydraulic Oil Level Sight Gauge

On-Dash Diagnostics  
 Operator Area Storage Bins  
 Parking Brake  
 Power Steering  
 Premium Polyester Felt Spreader Towel  
 Replaceable Poly Conditioner Side Plate  
 Rugged Dana Spicer® Axles  
 Rust-Free Poly Ice Making Water Tank  
 Rust-Free Poly Wash Water Tank  
 Single Point Battery Watering System  
 Snow Tank Maintenance Support  
 Spare Tire and Wheel  
 Stainless Steel Water Distribution Pipe  
 Steering Wheel Spinner Knob  
 Touch-Up Paint Kit  
 Tungsten Carbide Studded Tires  
 Wide Spectrum of Premium Automotive Paint Colors  
 Zamboni Power Brush™ Board Brush System

## OPTIONS

Advanced Water System (AWS™)  
 Back Up Alarm  
 Blade Change System  
 Board Spray  
 Conditioner: 96" Blade  
 Conditioner: Galvanized  
 FastICE® Ice Making System  
 Heated Ergonomic Comfort Design Seat
 

- Armrest
- Seatbelt

 IceCaps® Wheel Advertising System  
 Level-Ice™  
 Rotating Beacon Light  
 Snow Tank Light  
 Tire Wash System  
 Wash Water to Ice Making Water Transfer  
 Zamboni Connect™ System