

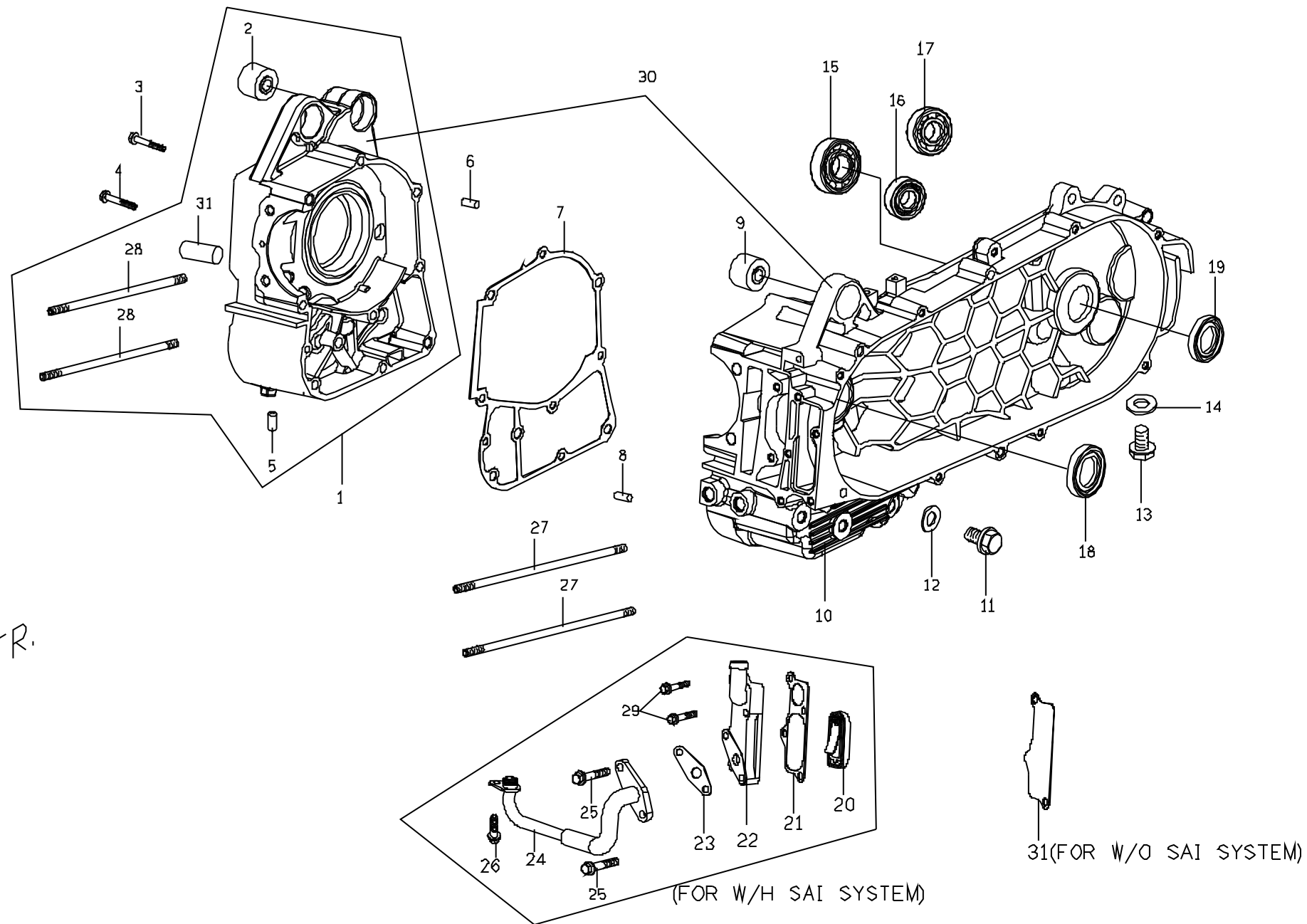


BUGRIDER-200 (EURO)
PARTS CATALOG



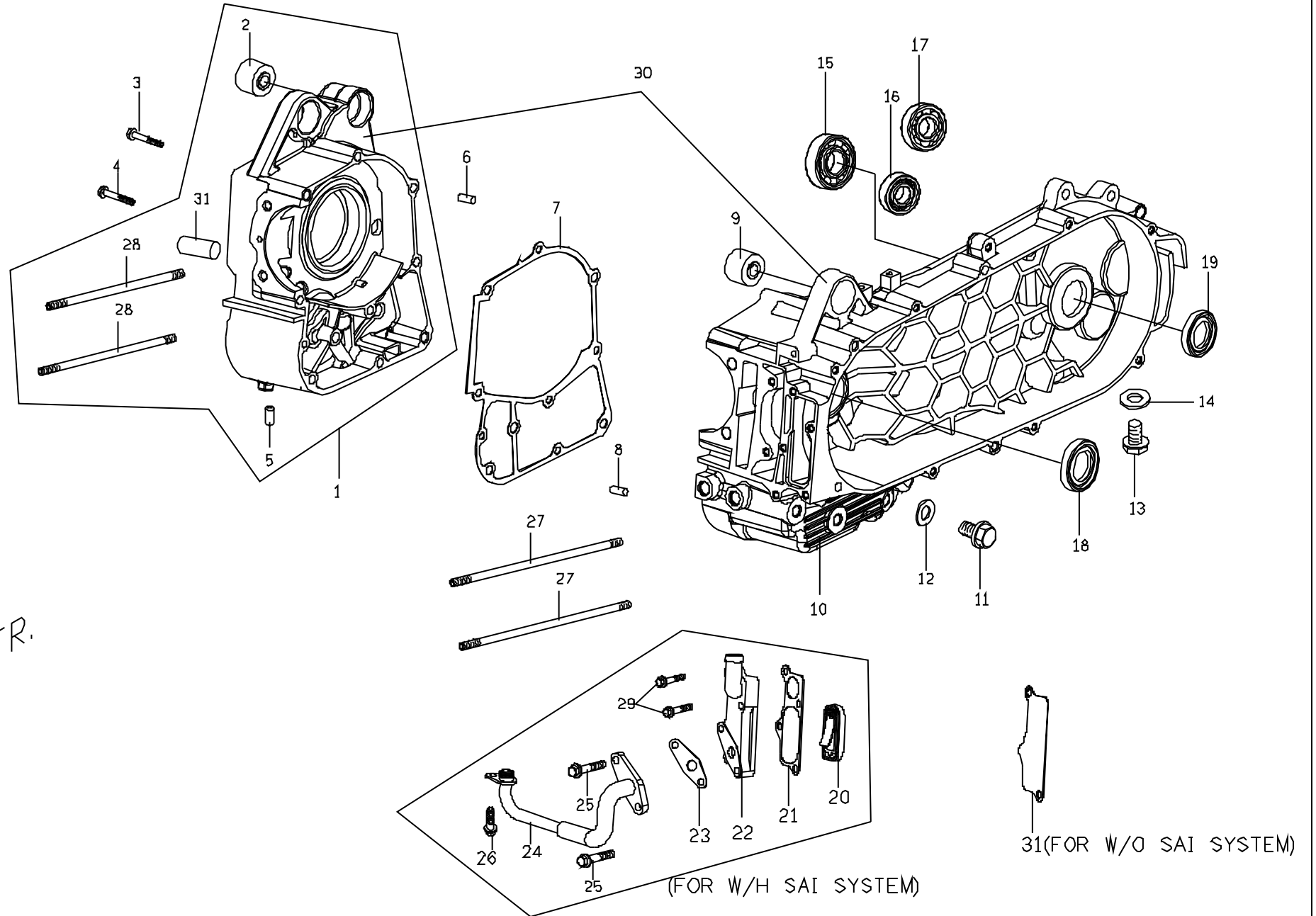
PRINTED IN AUGUST, 2006

E1.
曲軸箱
CRANK CASE



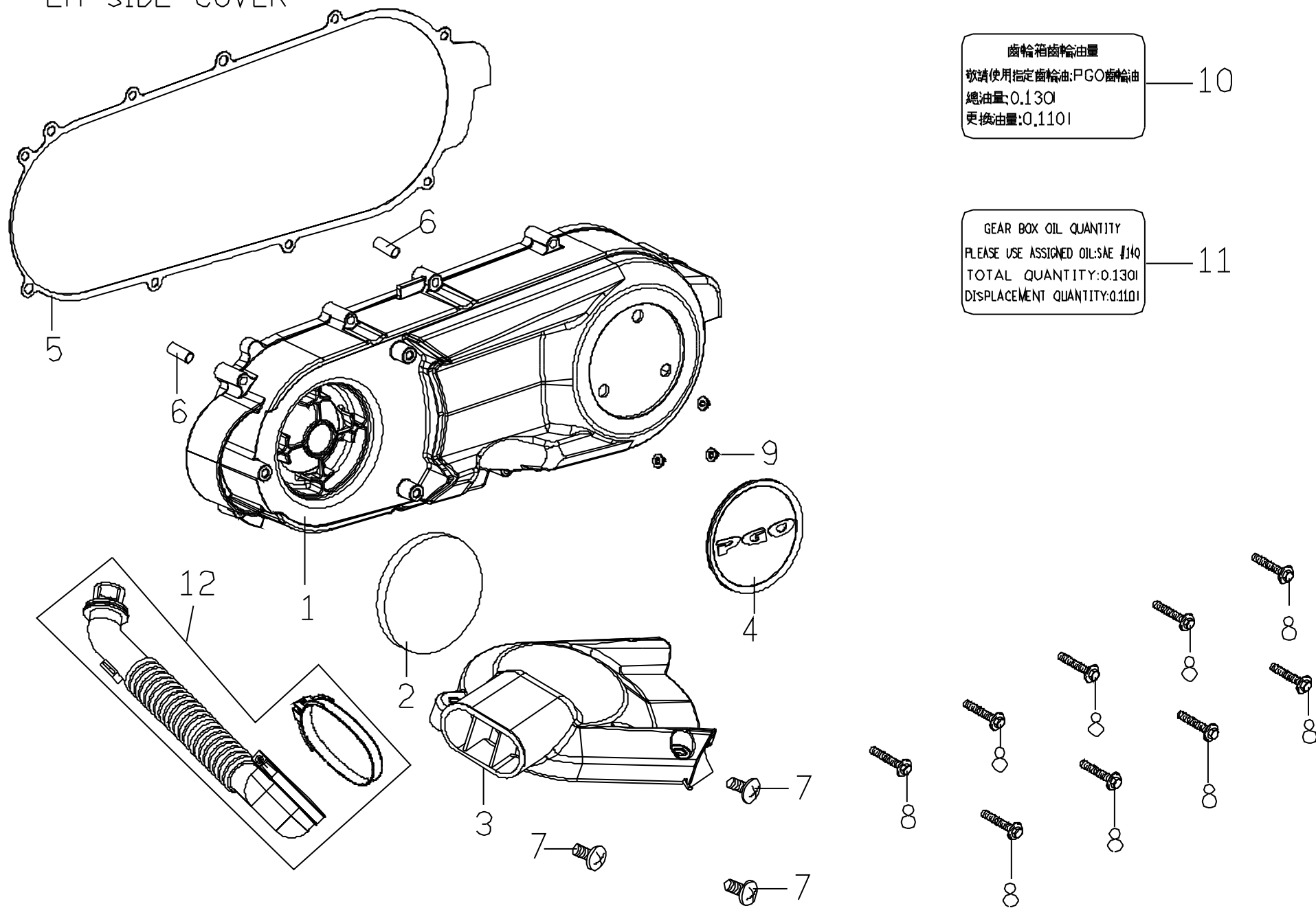
E1.

曲軸箱
CRANK CASE



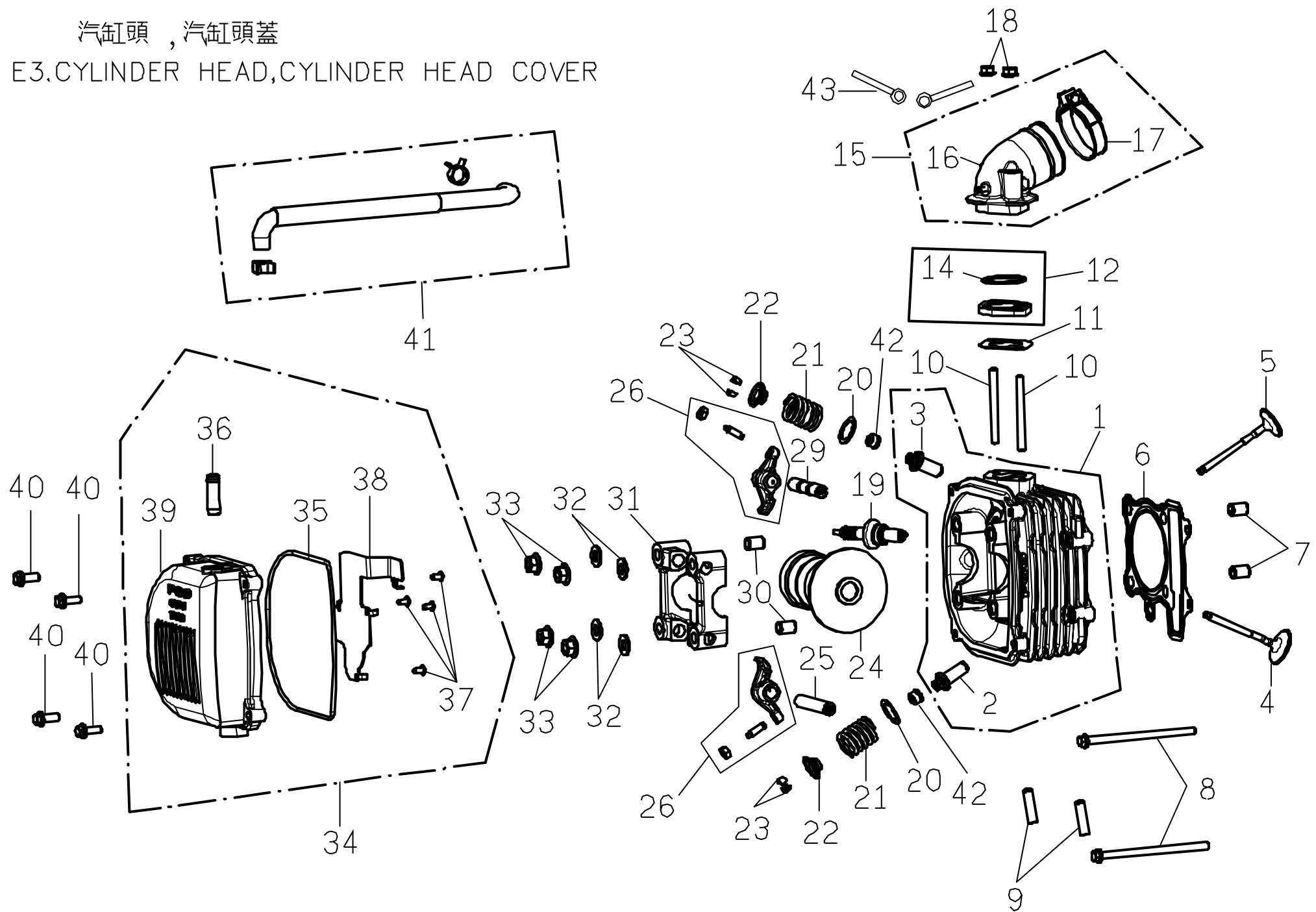
E2

左邊蓋
LH SIDE COVER



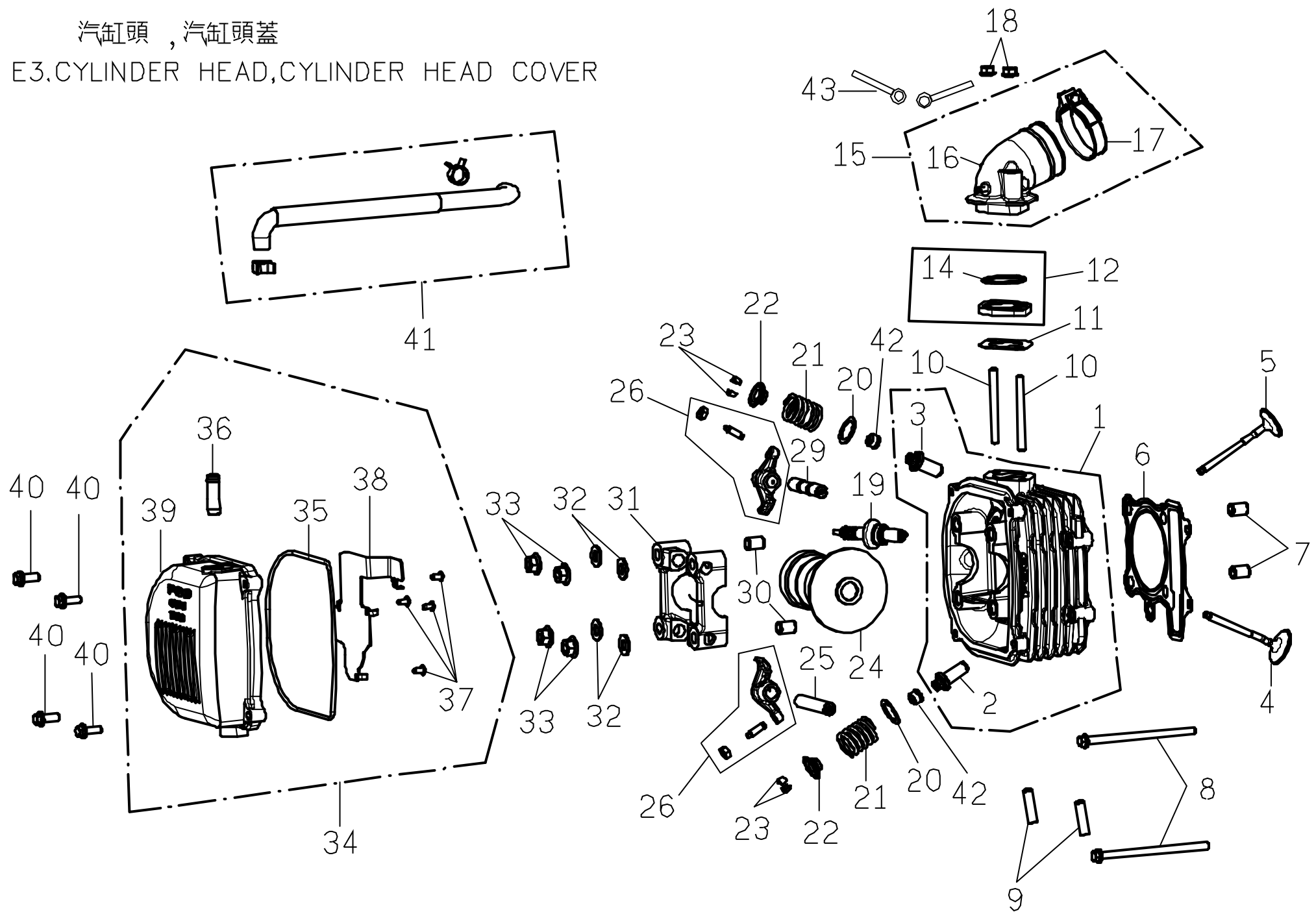
汽缸頭 , 汽缸頭蓋

E3.CYLINDER HEAD,CYLINDER HEAD COVER



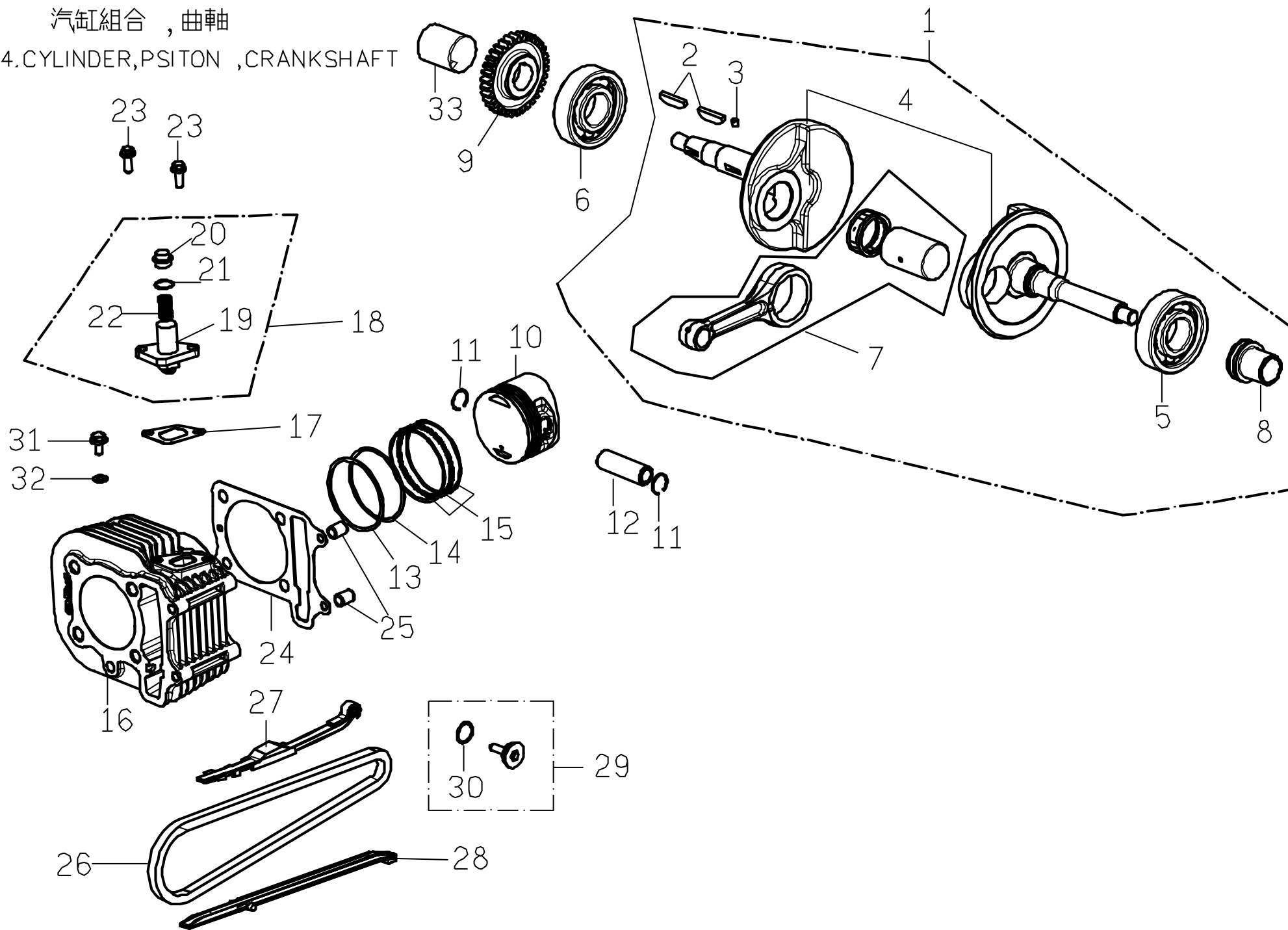
汽缸頭 , 汽缸頭蓋

E3.CYLINDER HEAD,CYLINDER HEAD COVER

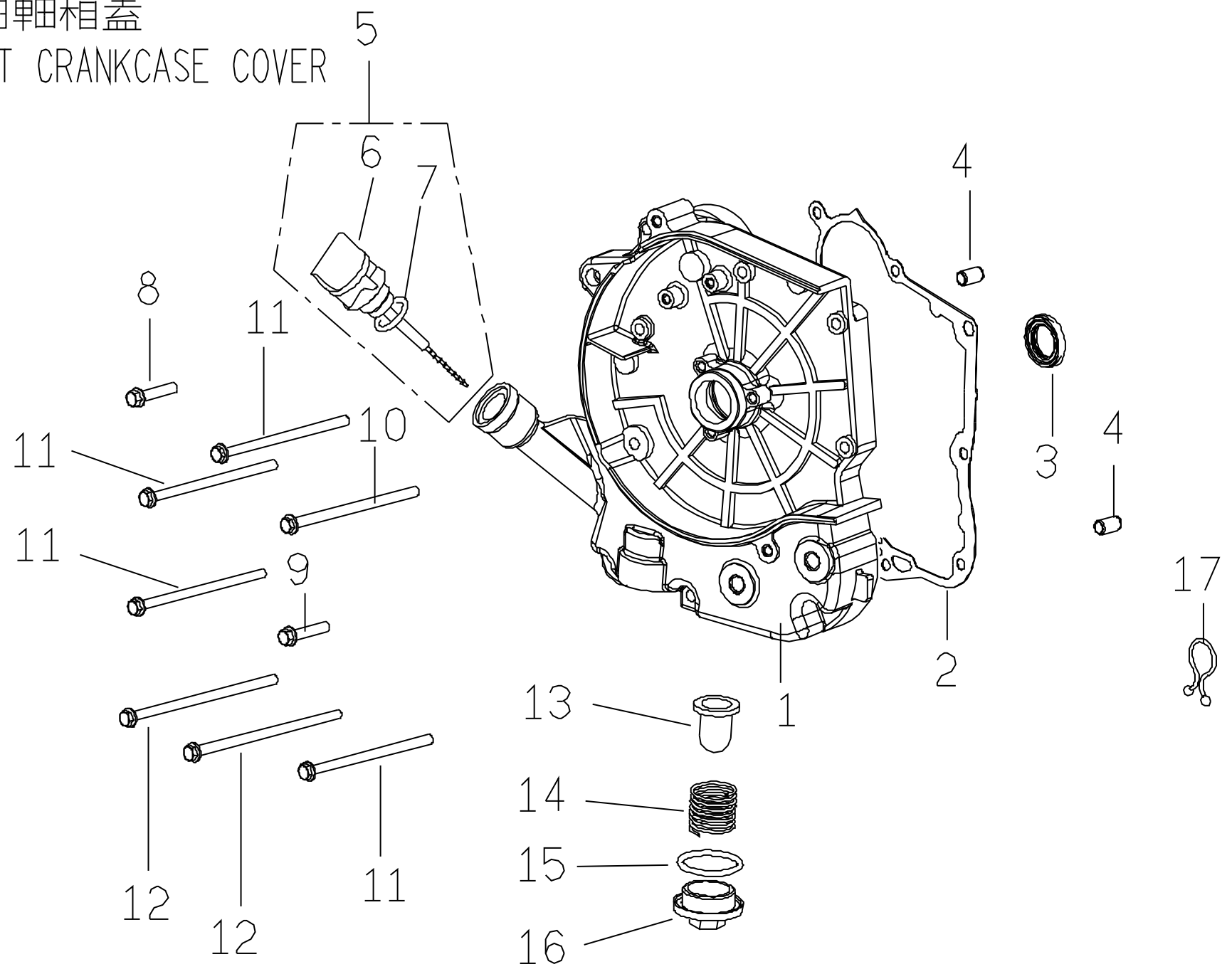


汽缸組合 , 曲軸

E4.CYLINDER,PSITON ,CRANKSHAFT

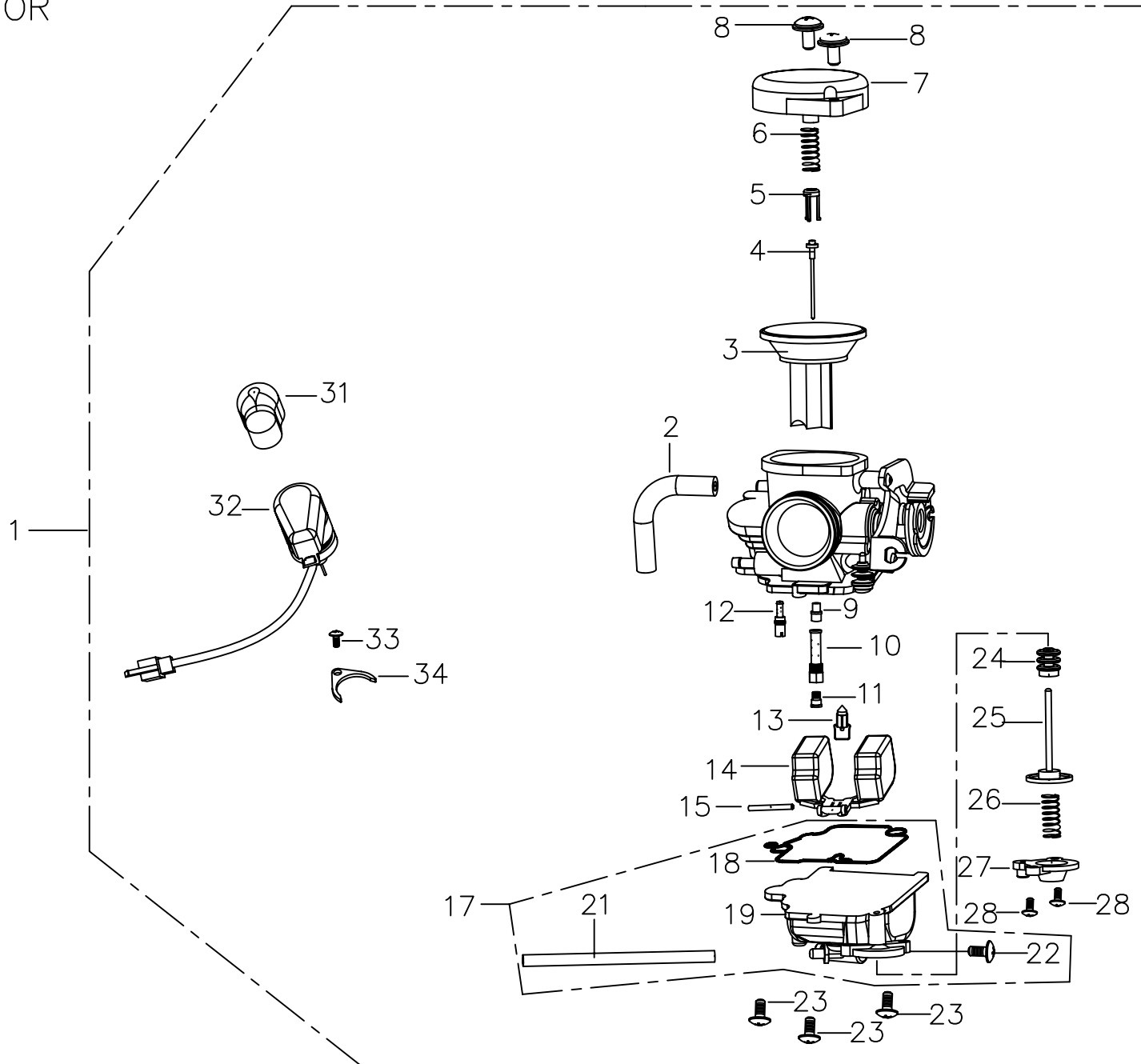


E5 右曲軸箱蓋
RIGHT CRANKCASE COVER



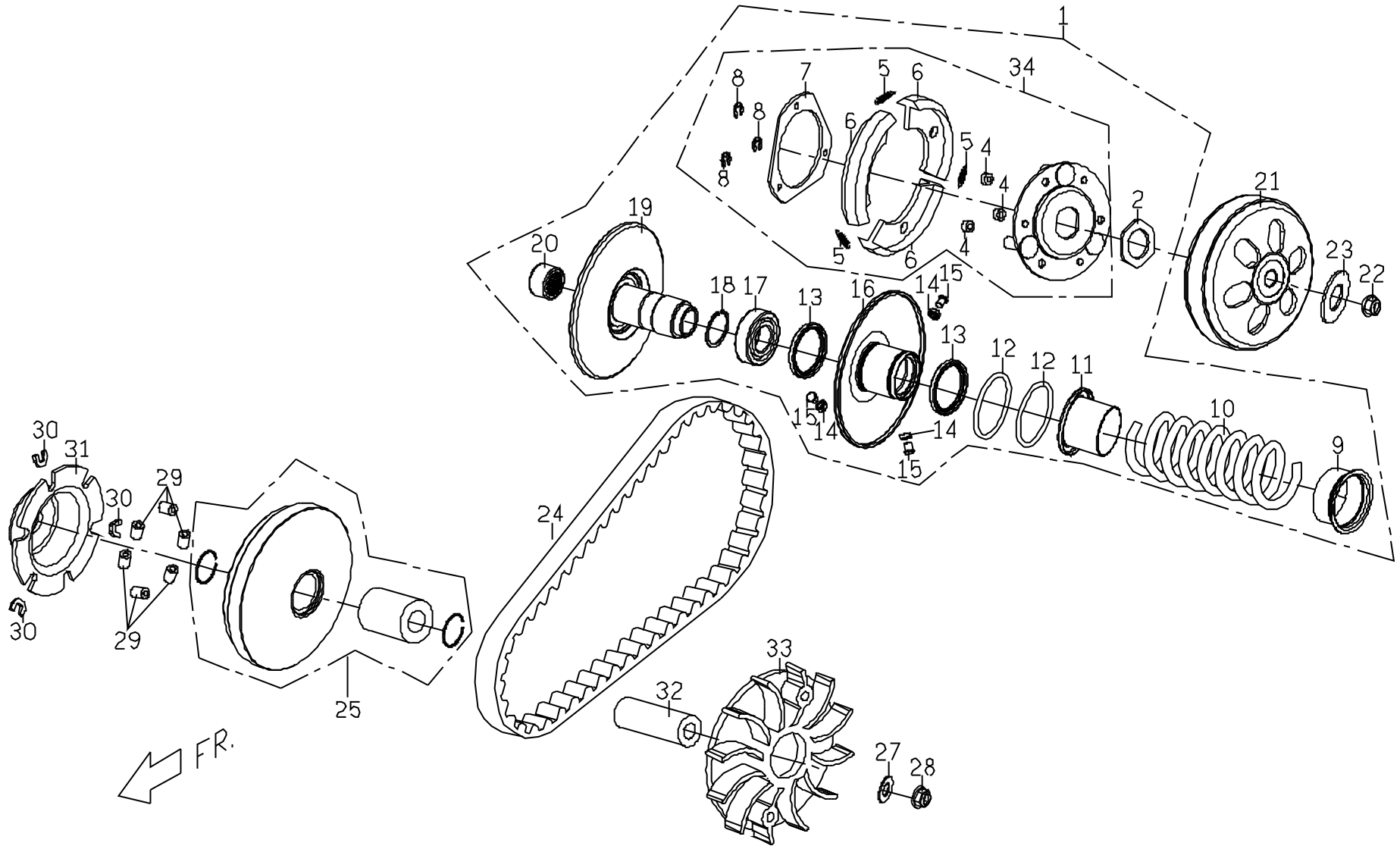
E6

化油器
CARBURETOR



E7 自動變速系統

CVT TRANSMISSION

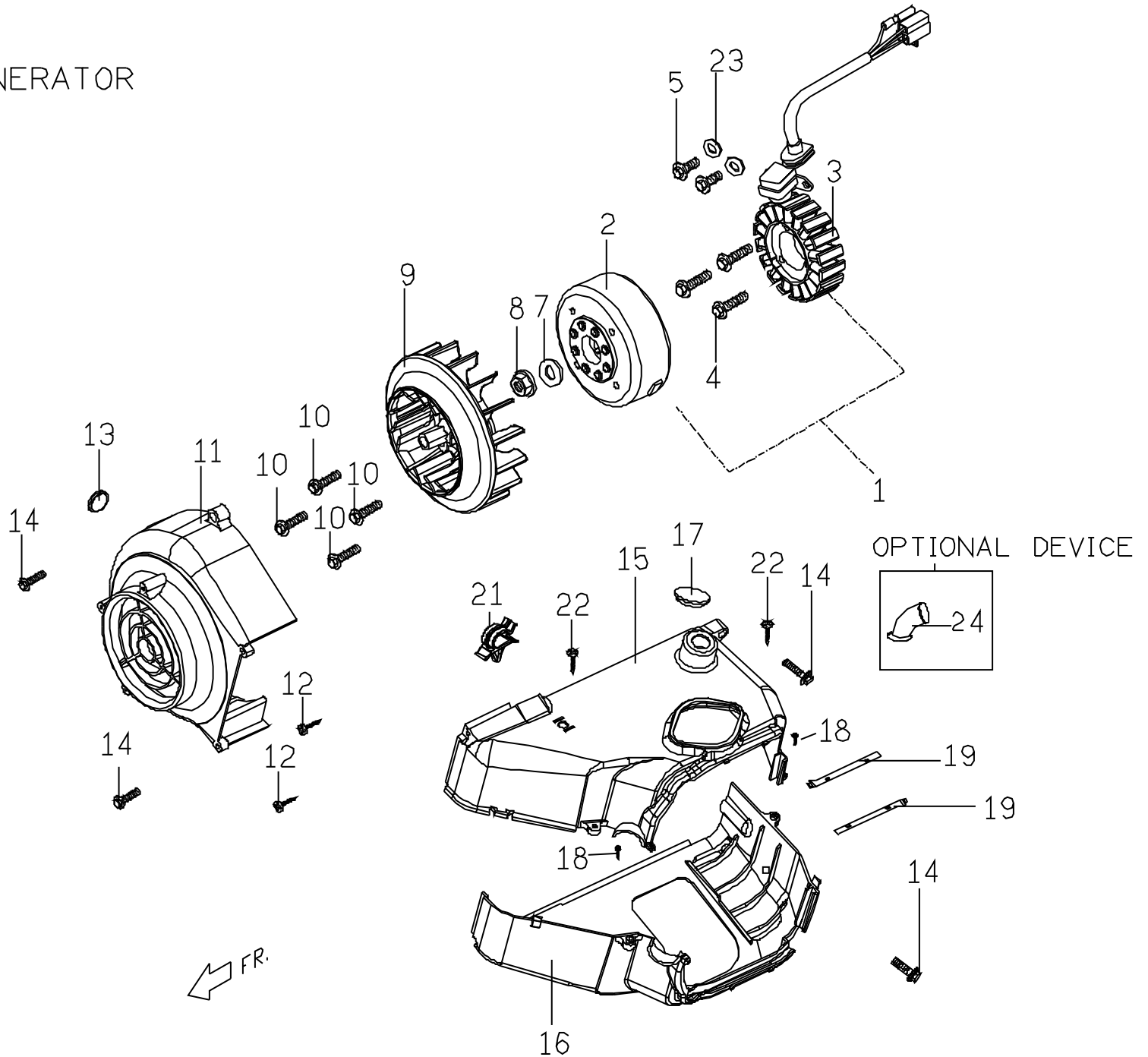


E8

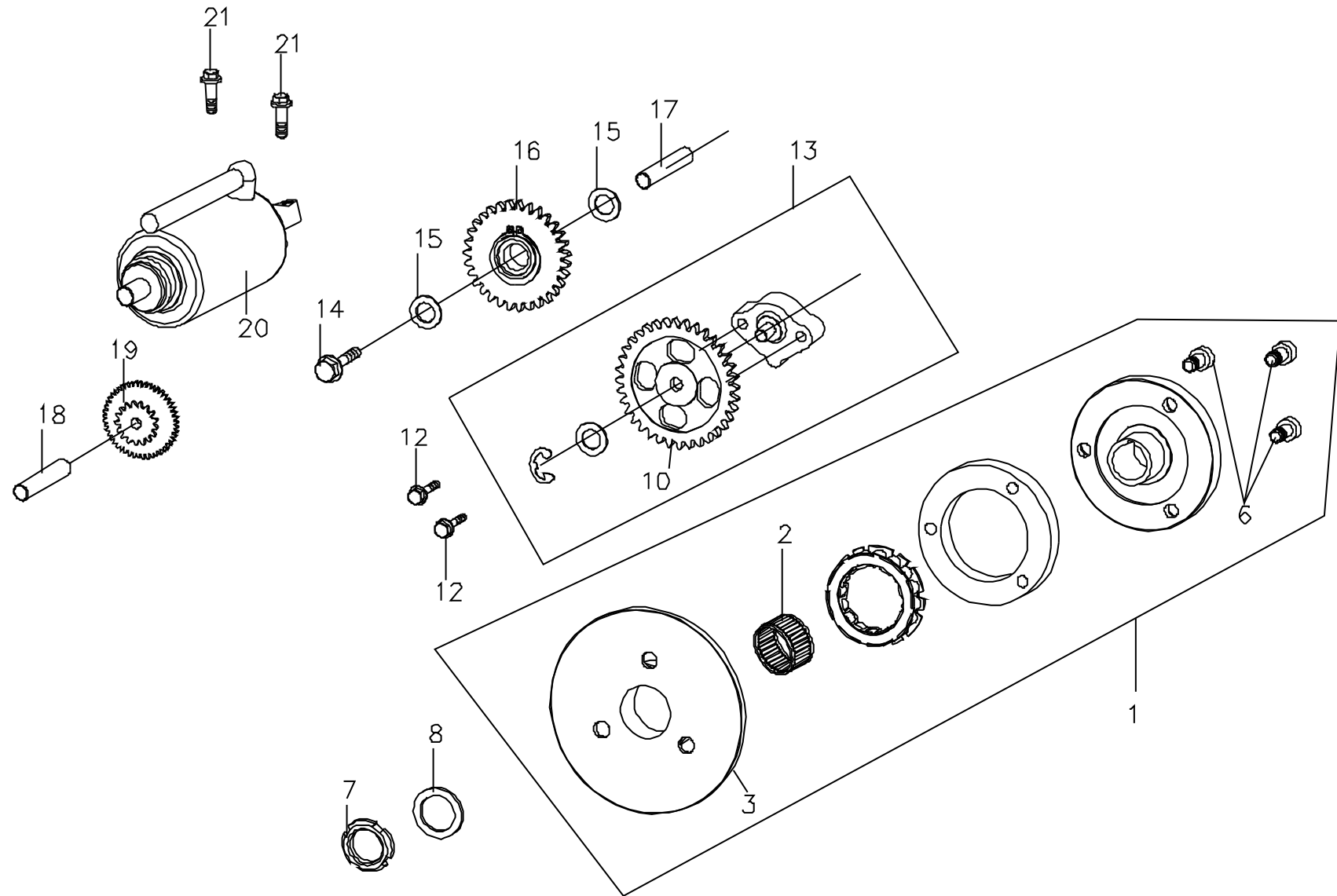
風扇蓋,發電機
FAN COVER, GENERATOR

引擎機油量
敬請使用指定機油:PCO四行程機油
總油量:1.40L
更換油量:1.00L
更換後請用機油尺再檢查機油量是否足夠
發動引擎三分鐘請再檢查油量

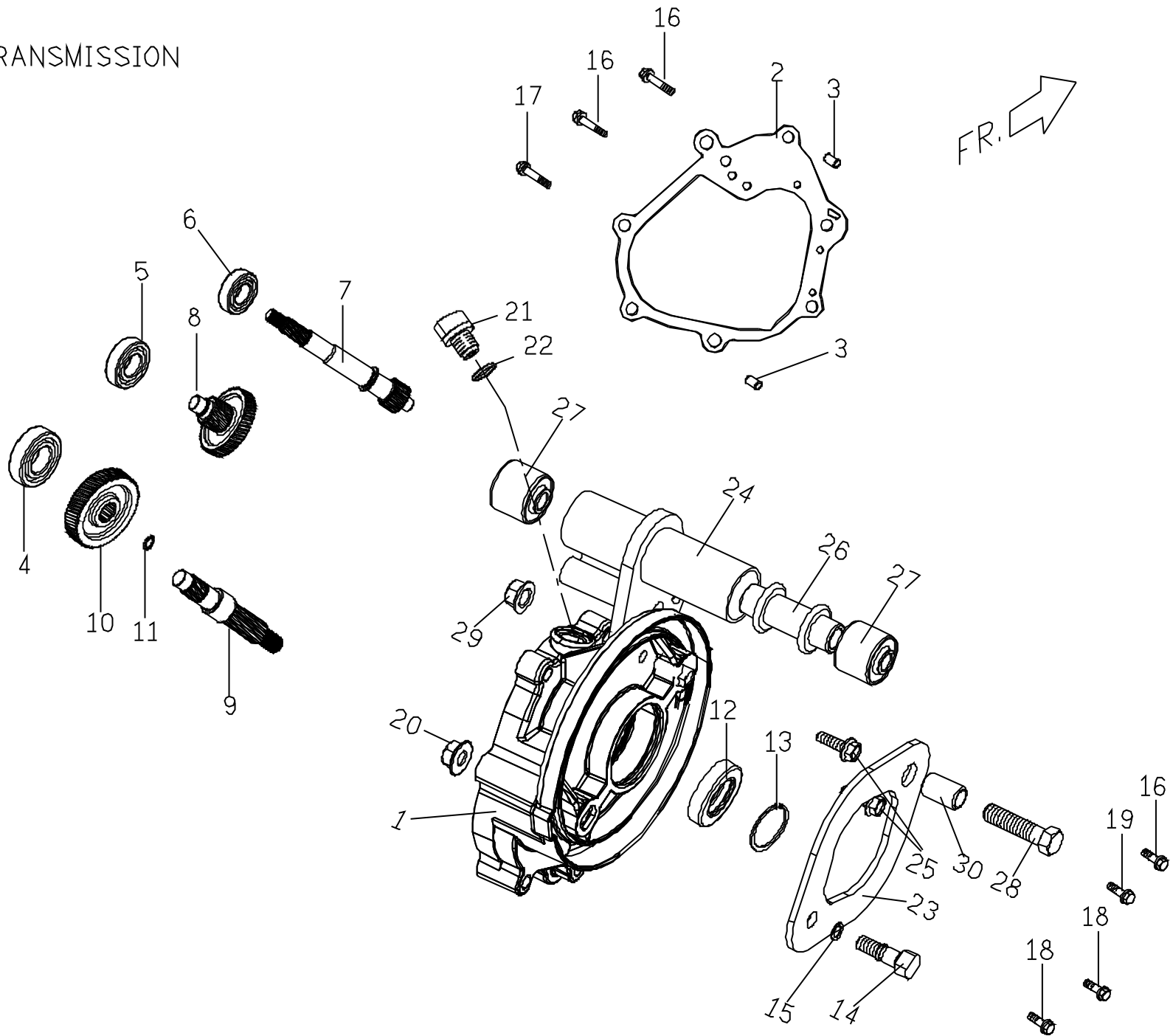
ENGINE OIL QUANTITY
PLEASE USE ASSIGNED OIL:SAE 15W40
TOTAL QUANTITY:1.40L
DISPLACEMENT QUANTITY:1.00L
AFTER DISPLACEMENT USE OIL LEVEL GAUGE
TO CHECK IF IT IS ENOUGH
CHECK OIL LEVEL IN CONDITION OFF CONDITION
AFTER 3 MINUTES OF RUNNING



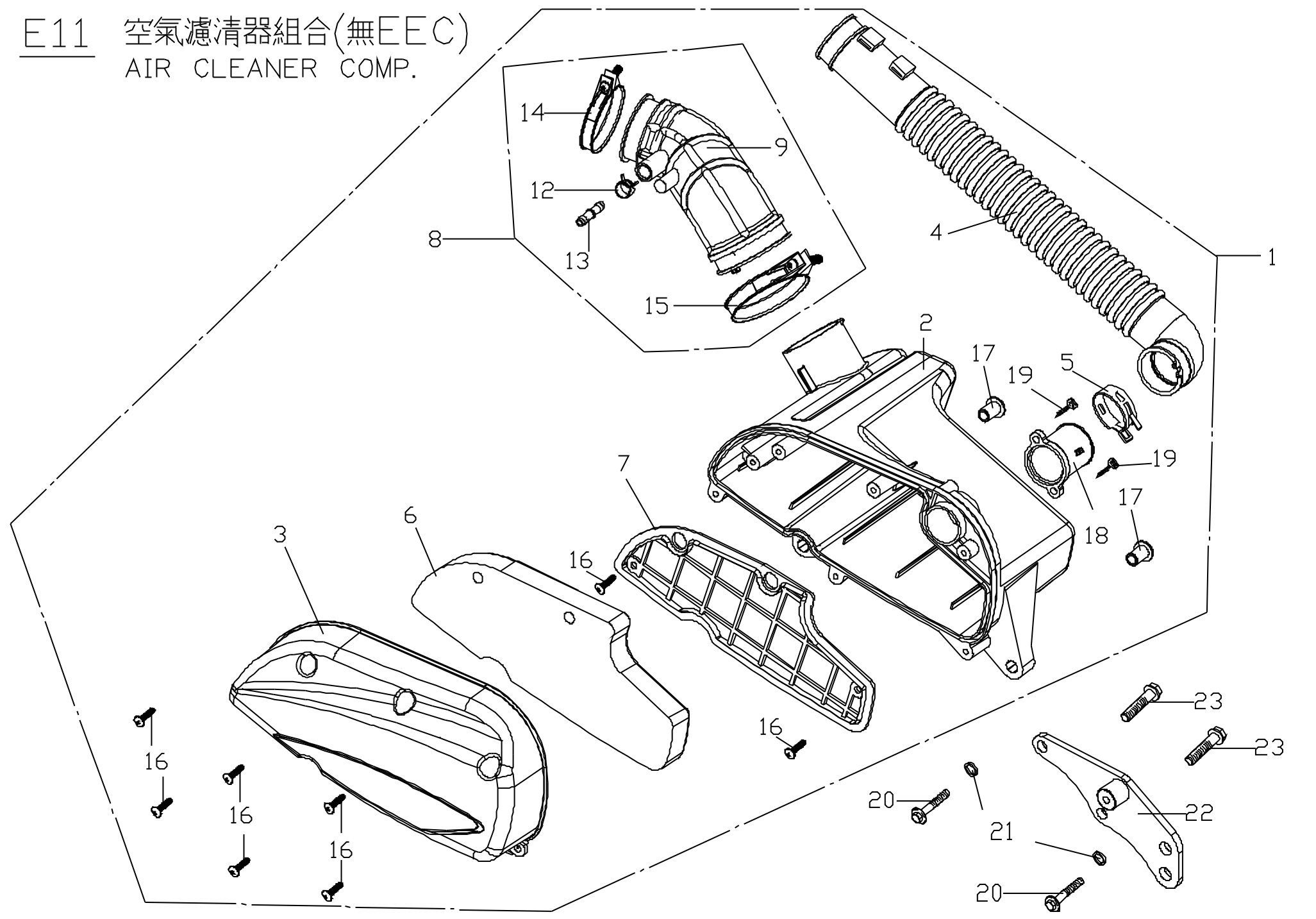
E9.
起動馬達, 機油泵
STARTING MOTOR. OIL PUMP



E10 TRANSMISSION

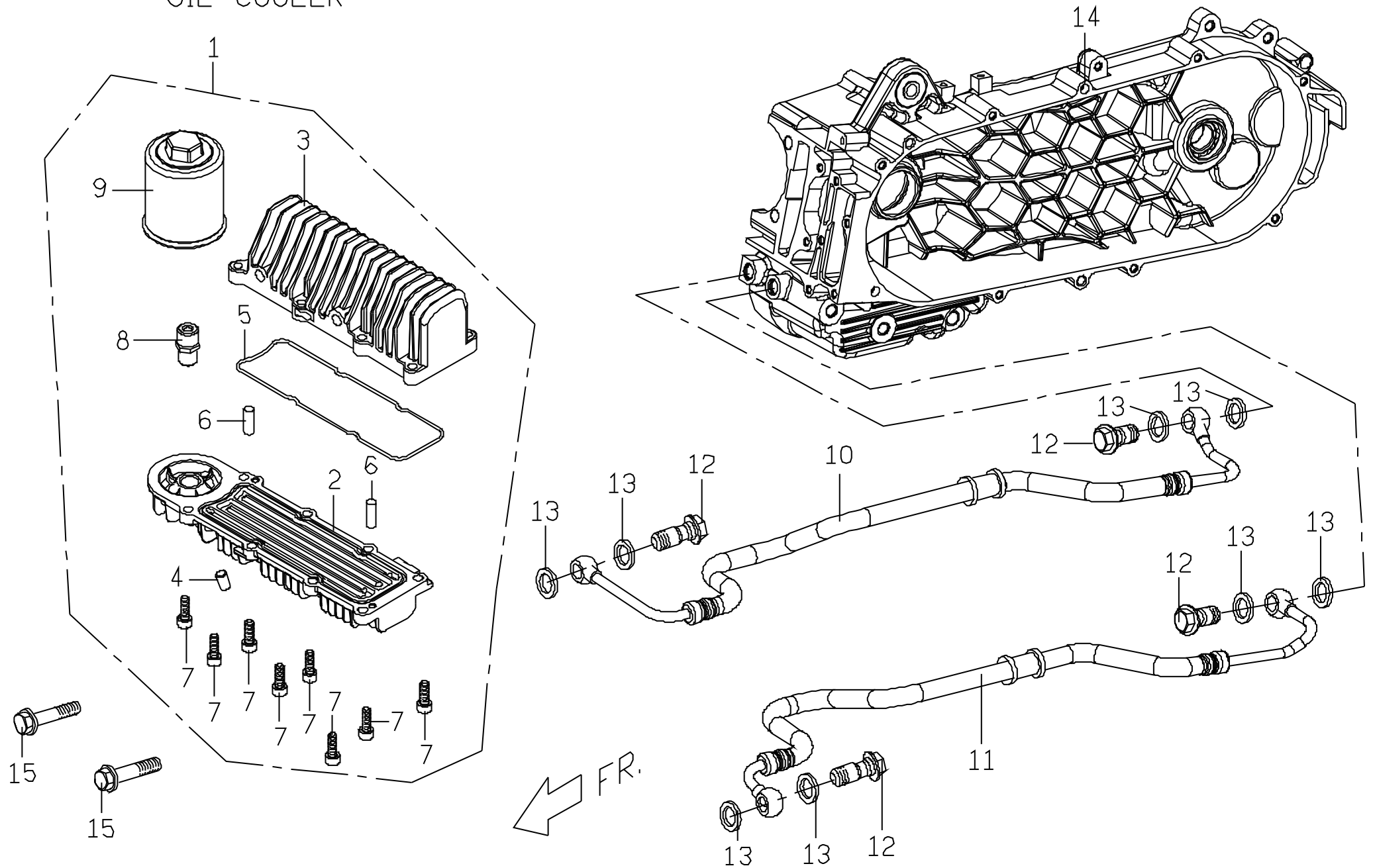


E11 空氣濾清器組合(無EEC)
AIR CLEANER COMP.



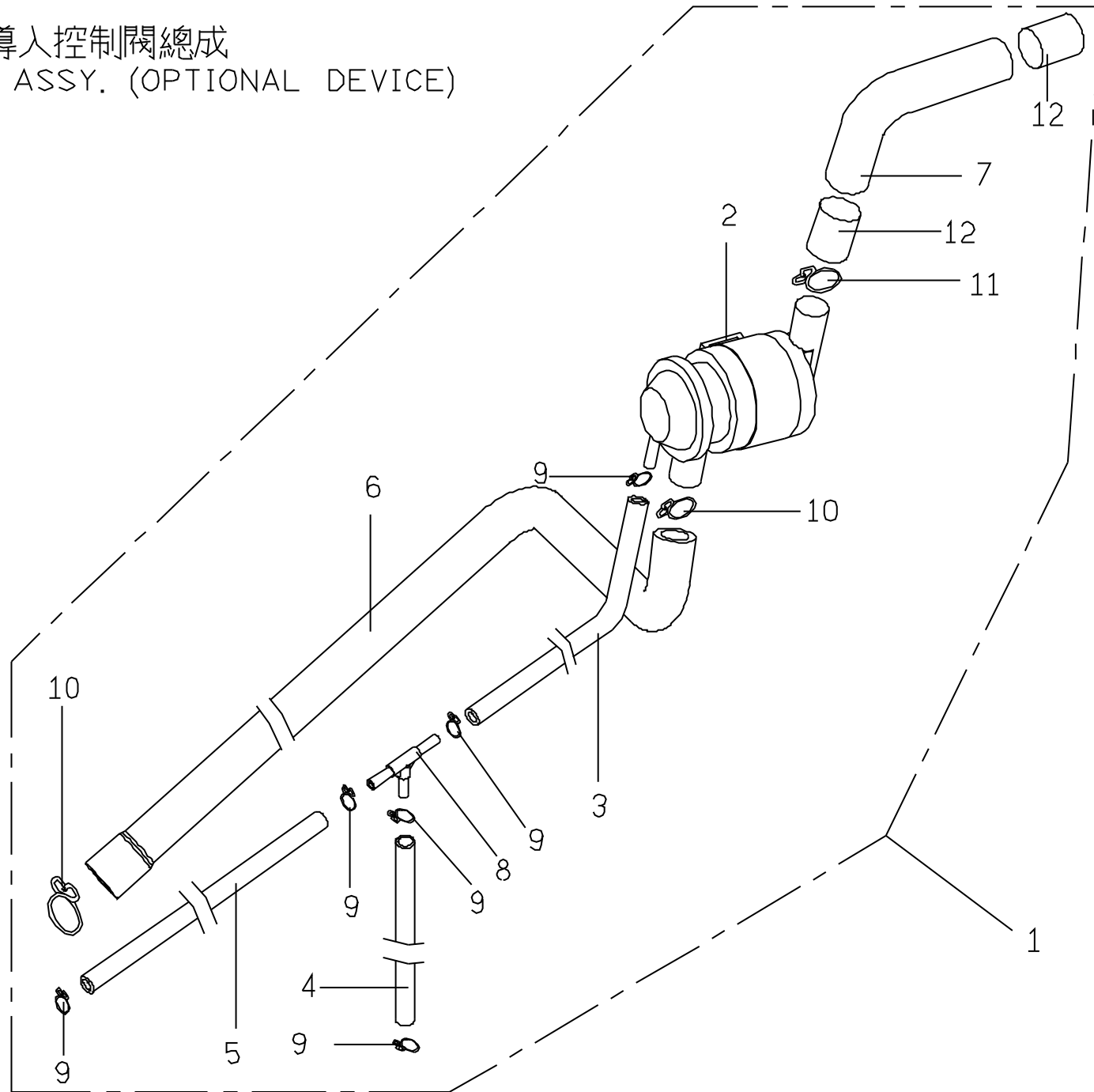
E12

機油冷卻器
OIL COOLER



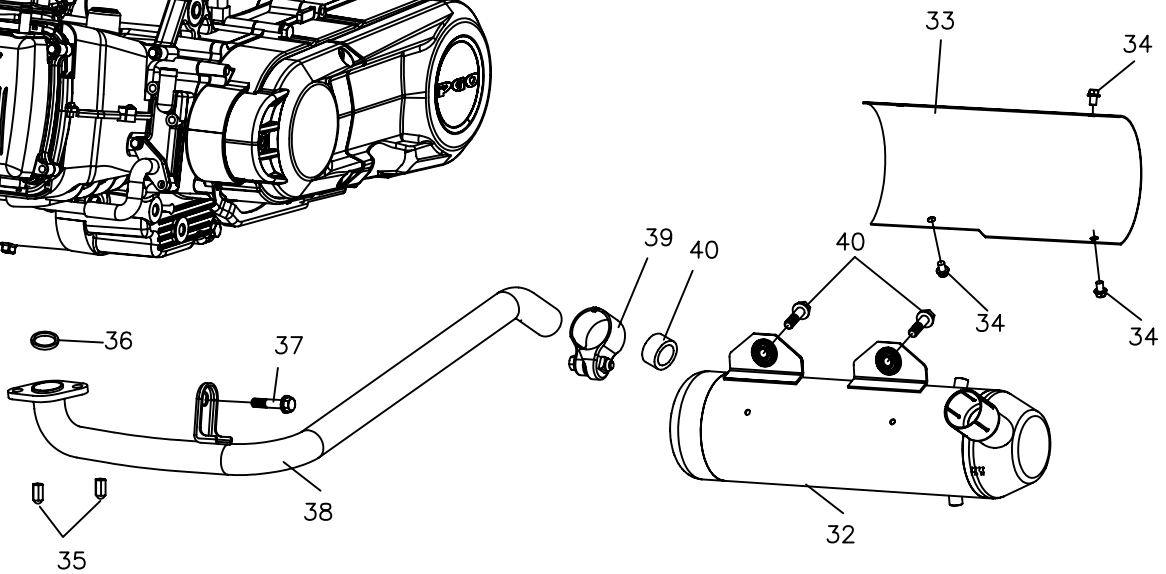
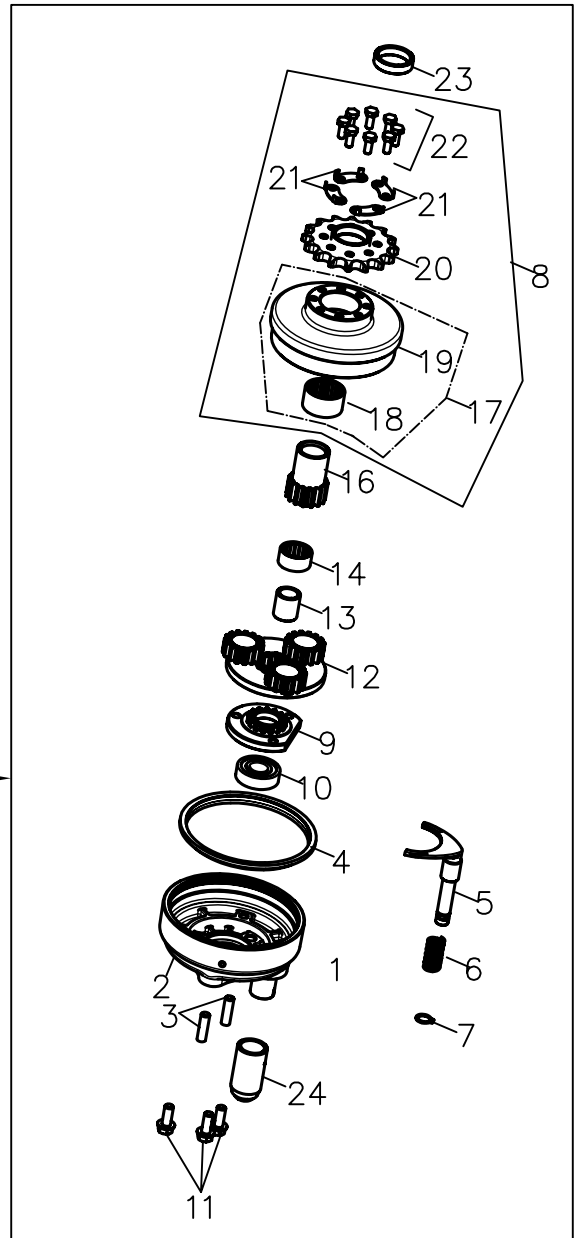
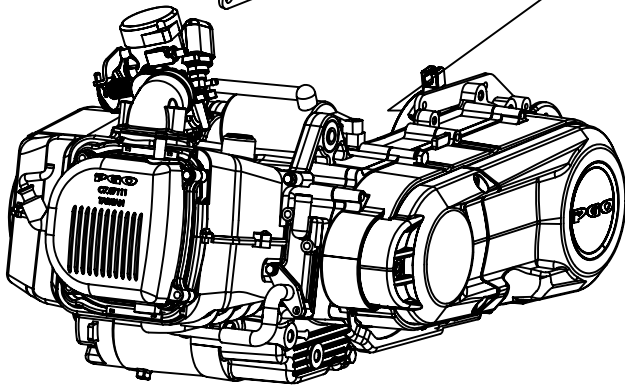
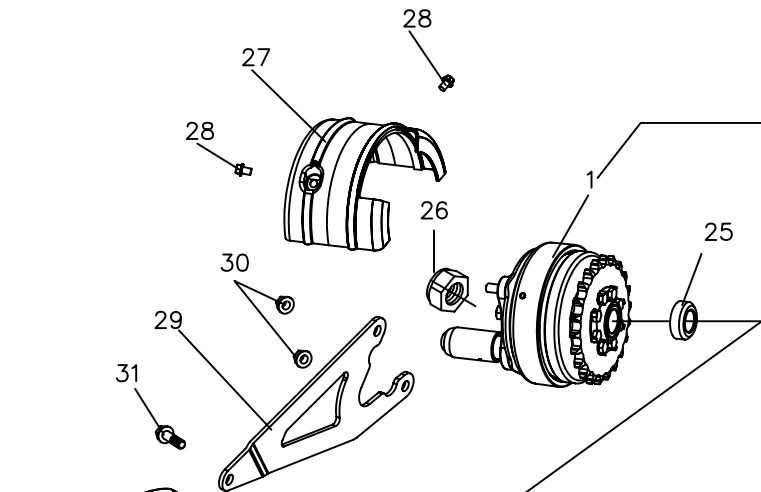
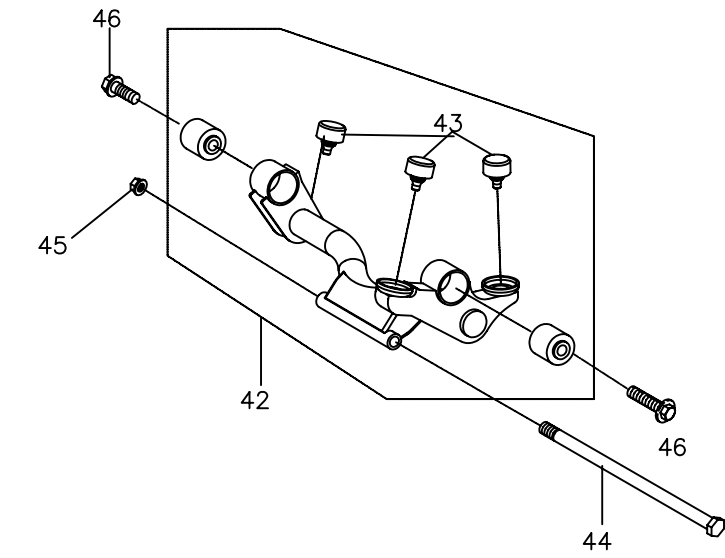
E13

空氣導入控制閥總成
AIAC ASSY. (OPTIONAL DEVICE)

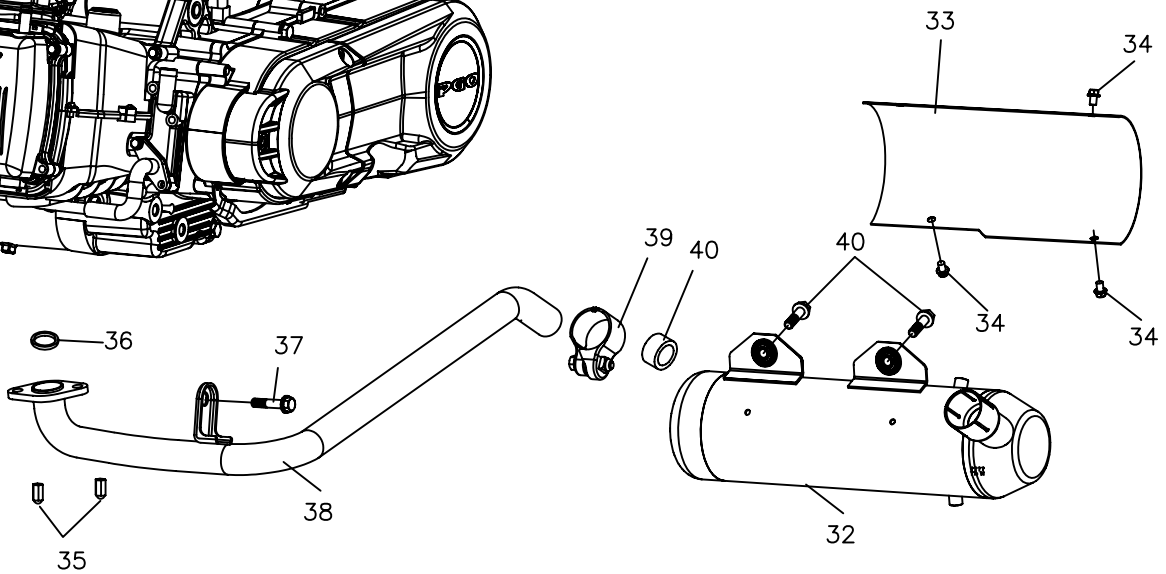
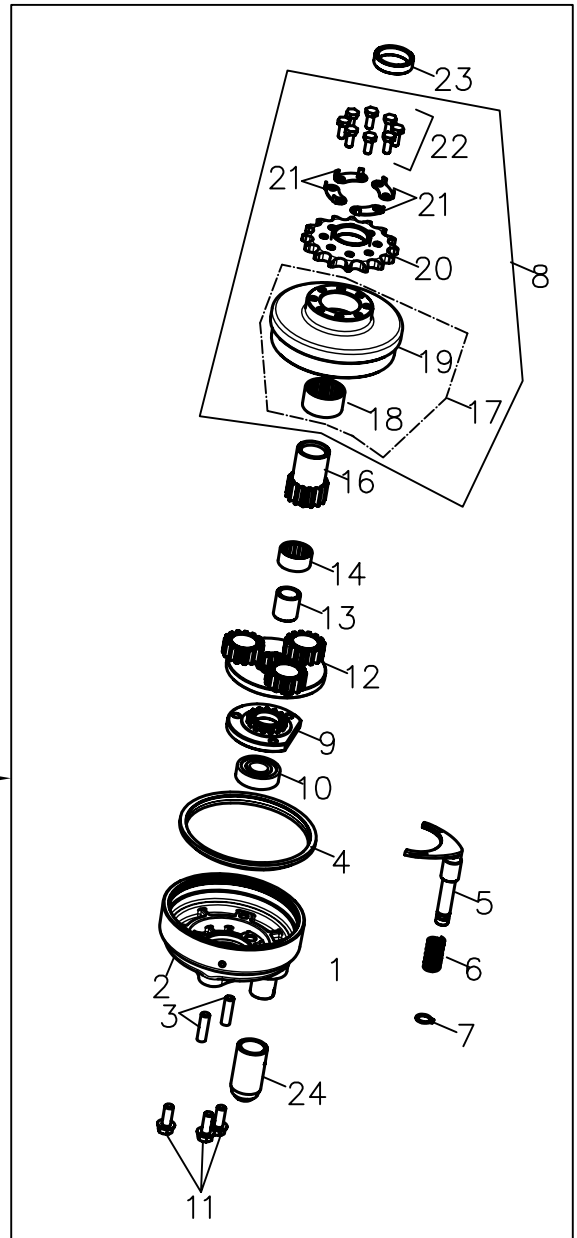
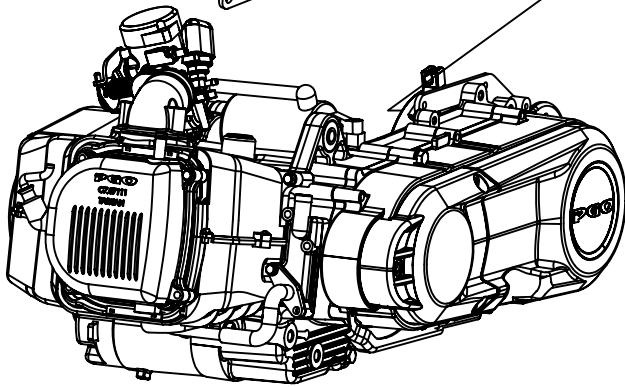
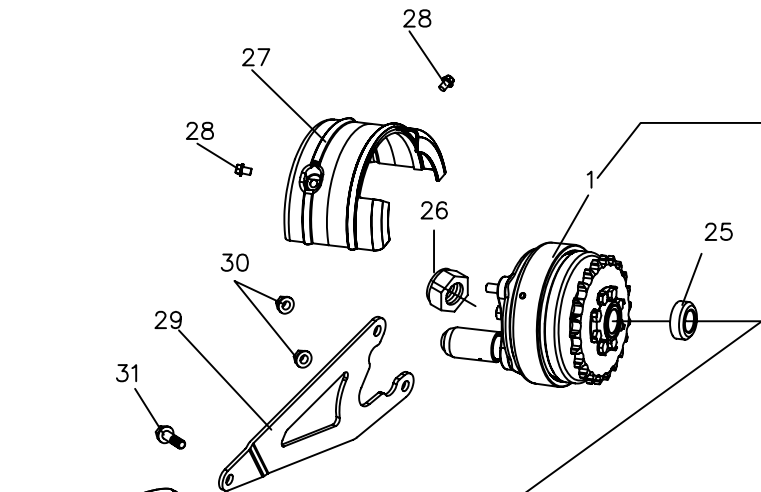
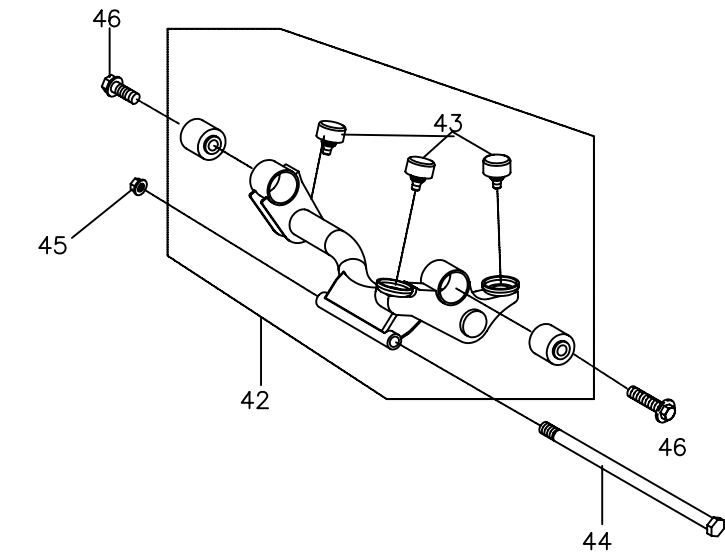


FR.

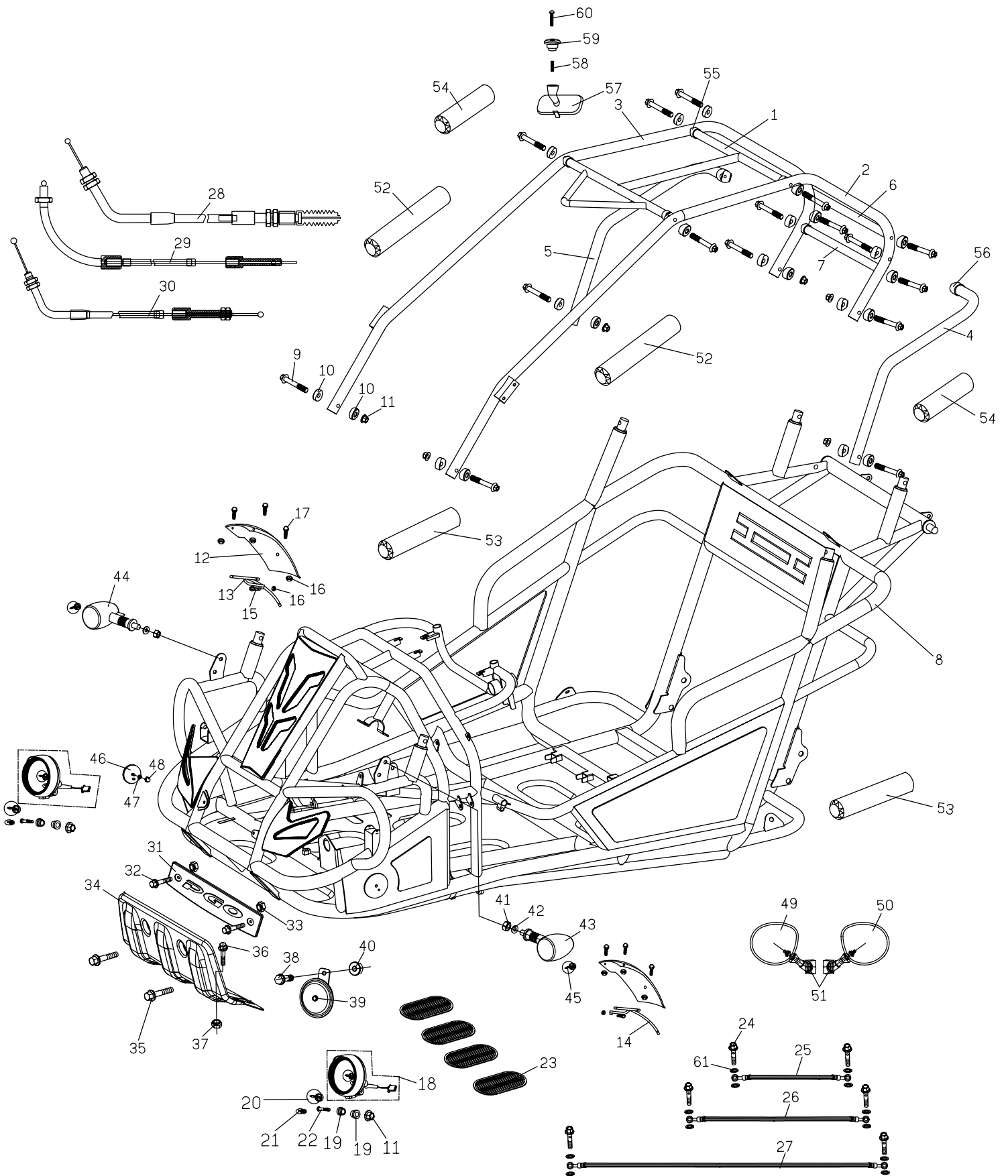
F1. MUFFLER & REVERSE GEAR BOX (BR-200)



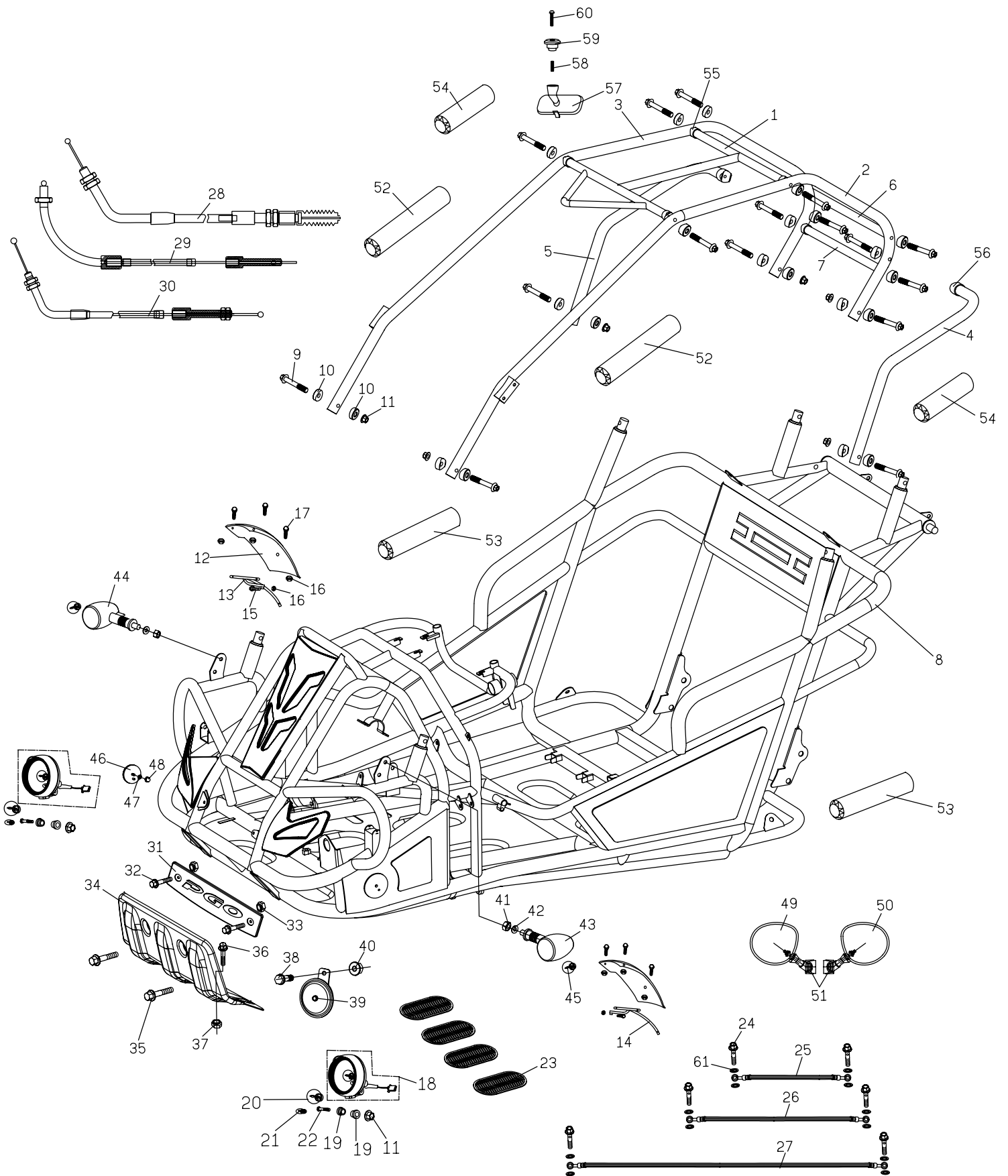
F1. MUFFLER & REVERSE GEAR BOX (BR-200)



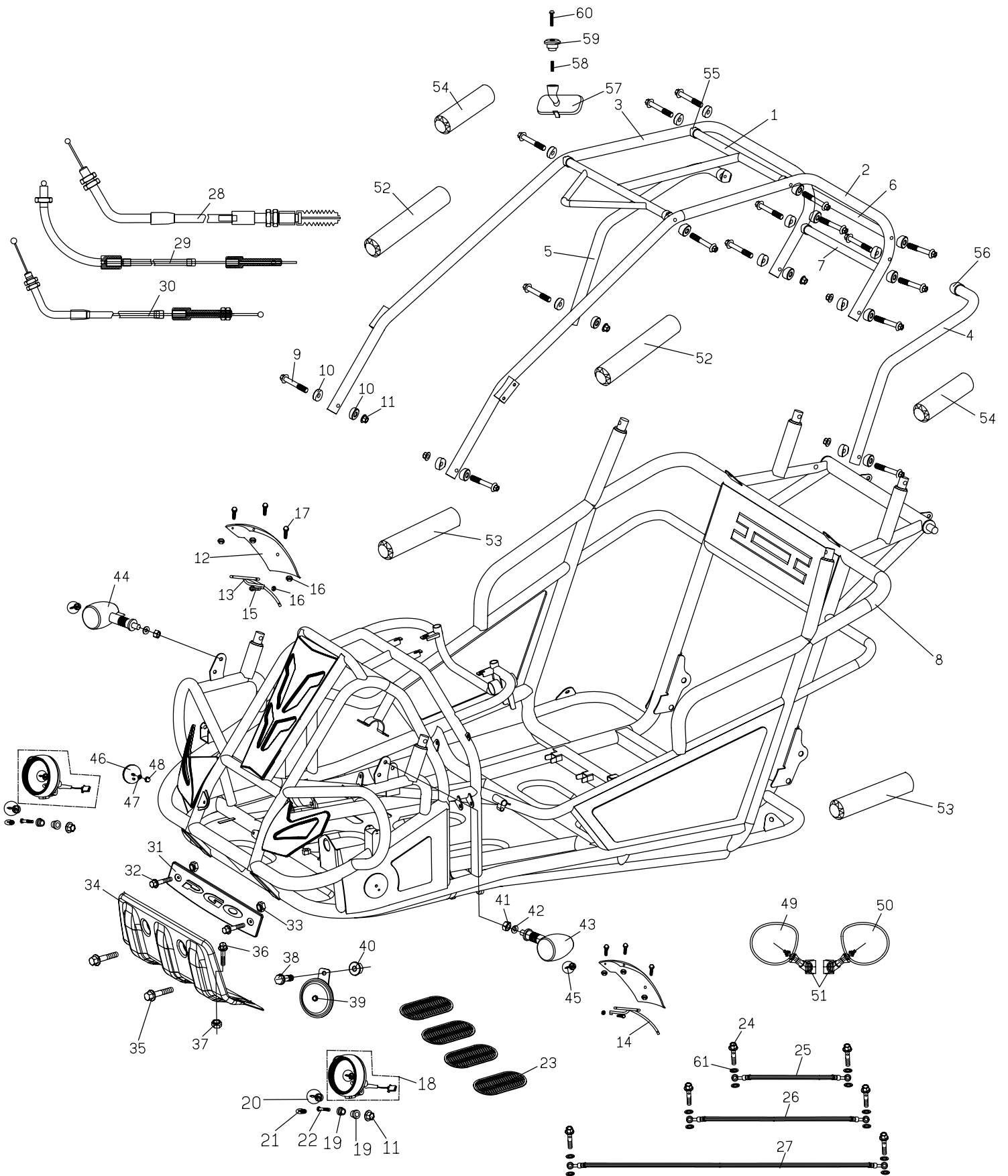
F 2. FRAME GROUP



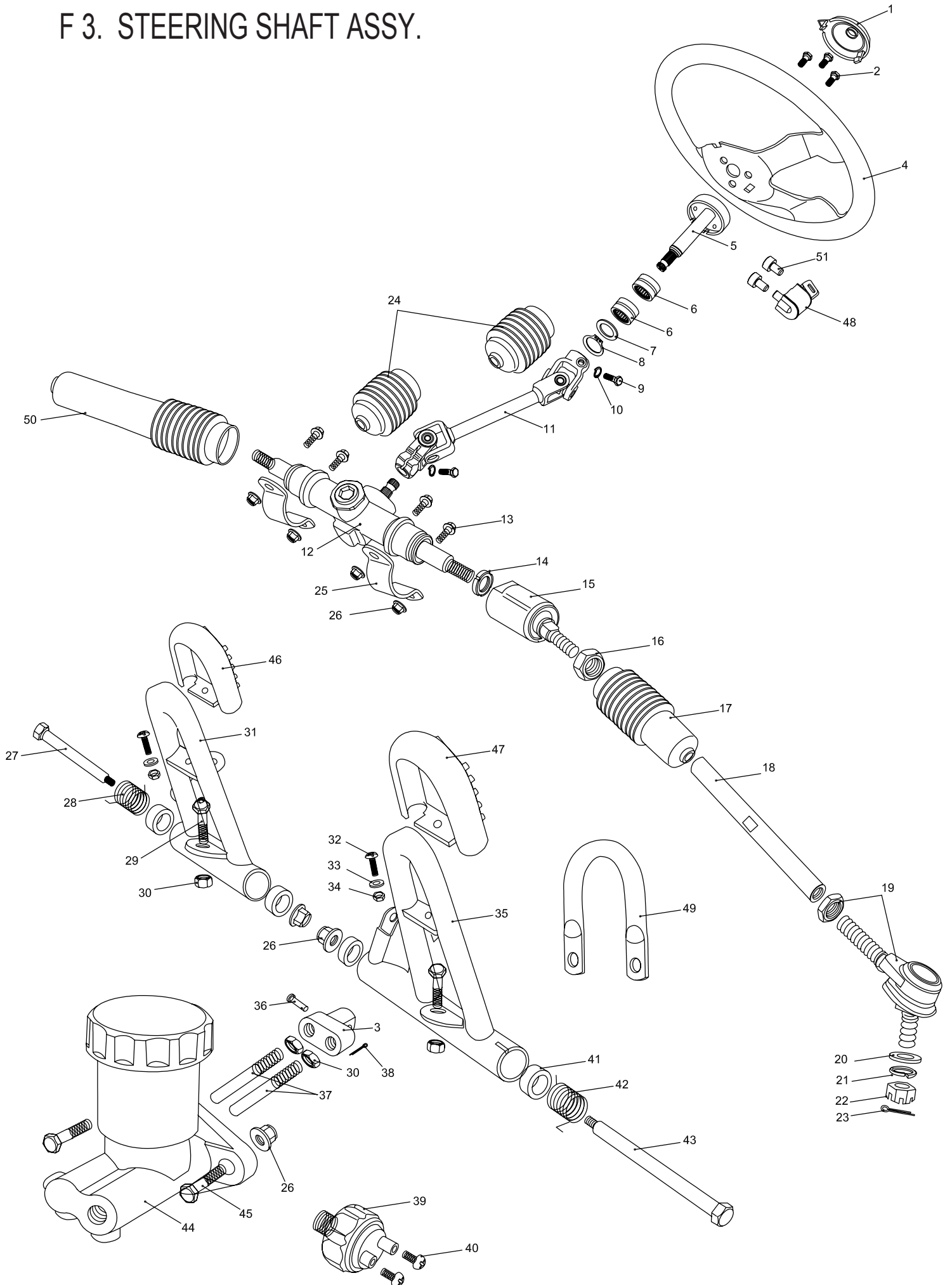
F 2. FRAME GROUP



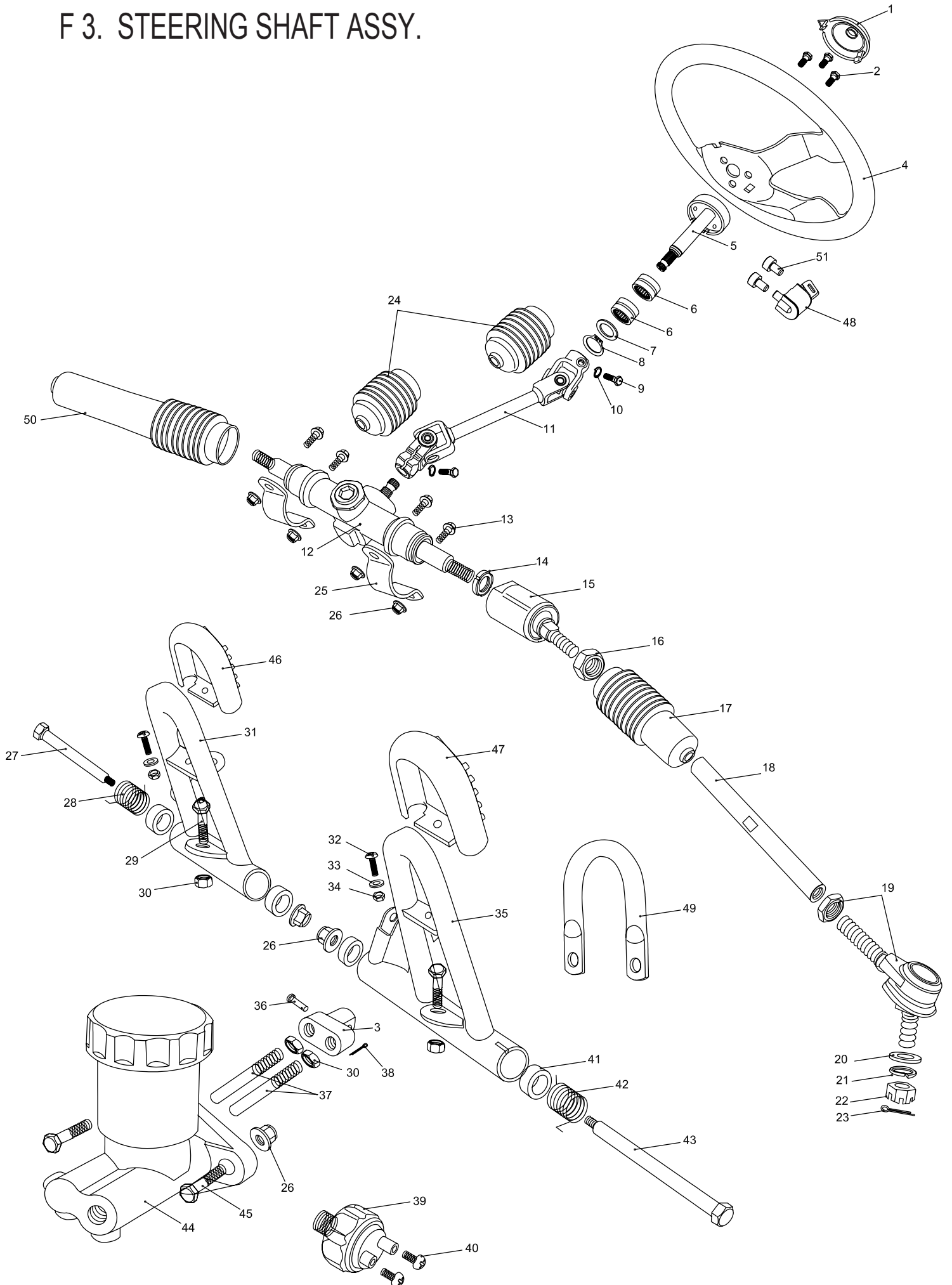
F 2. FRAME GROUP



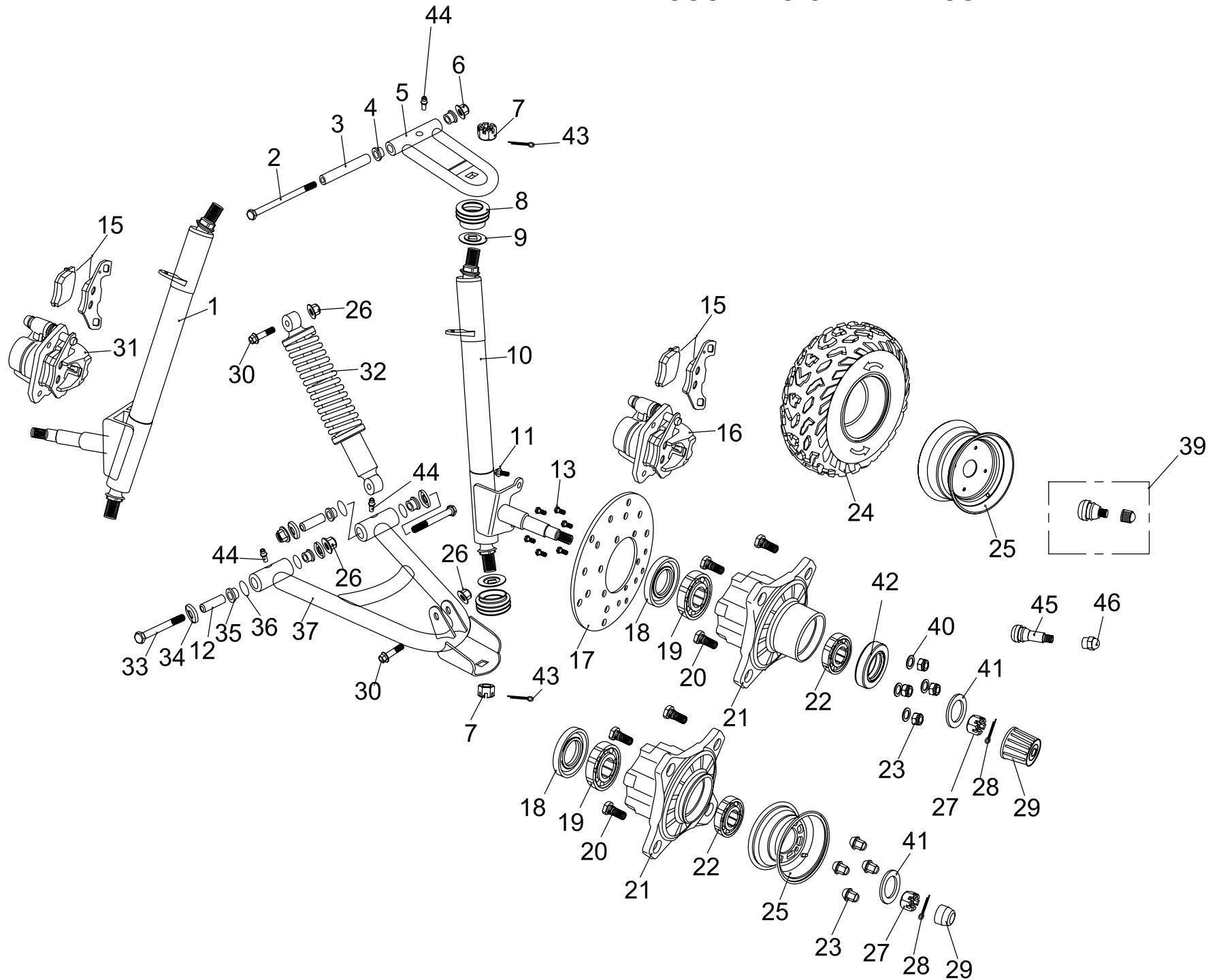
F 3. STEERING SHAFT ASSY.



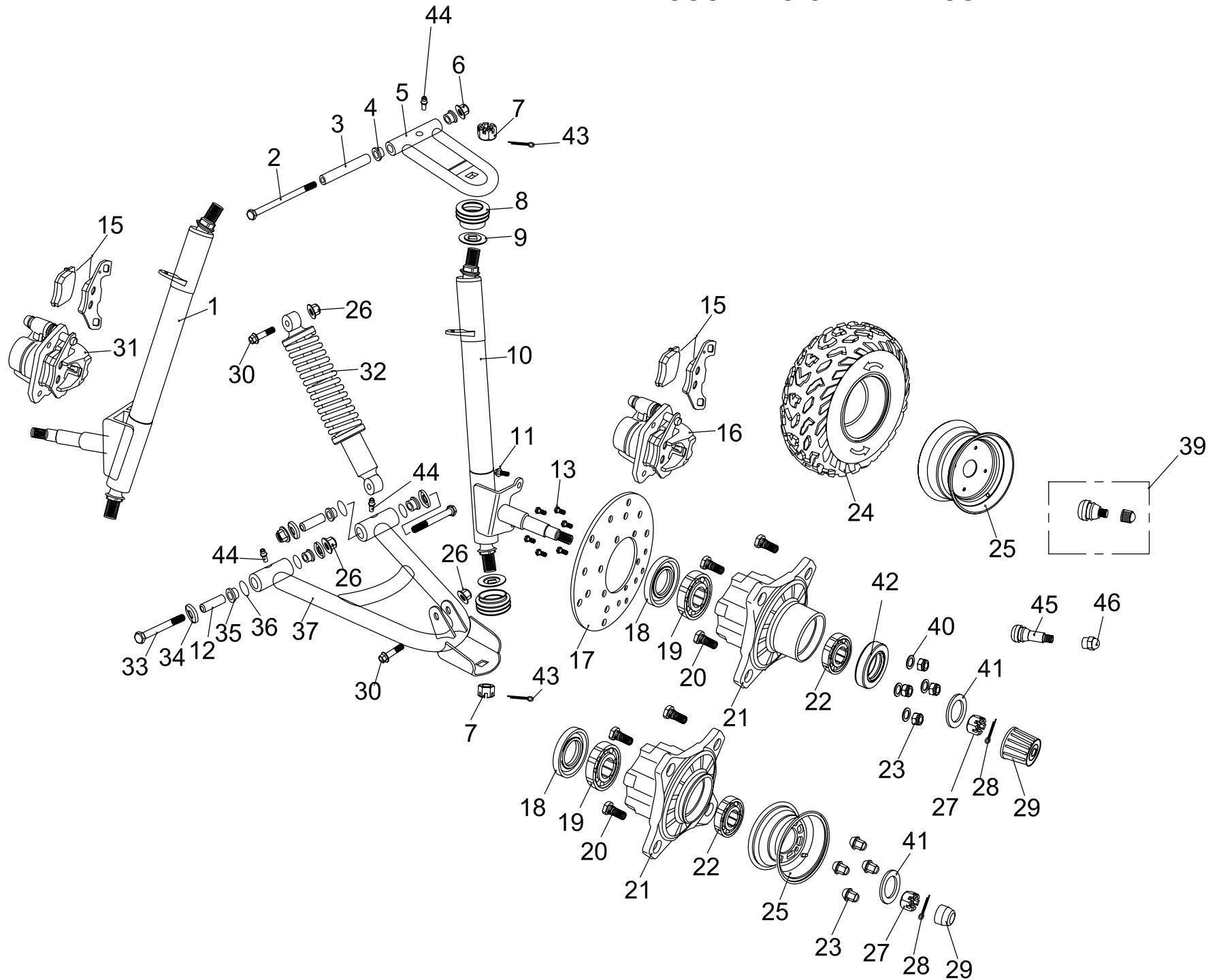
F 3. STEERING SHAFT ASSY.



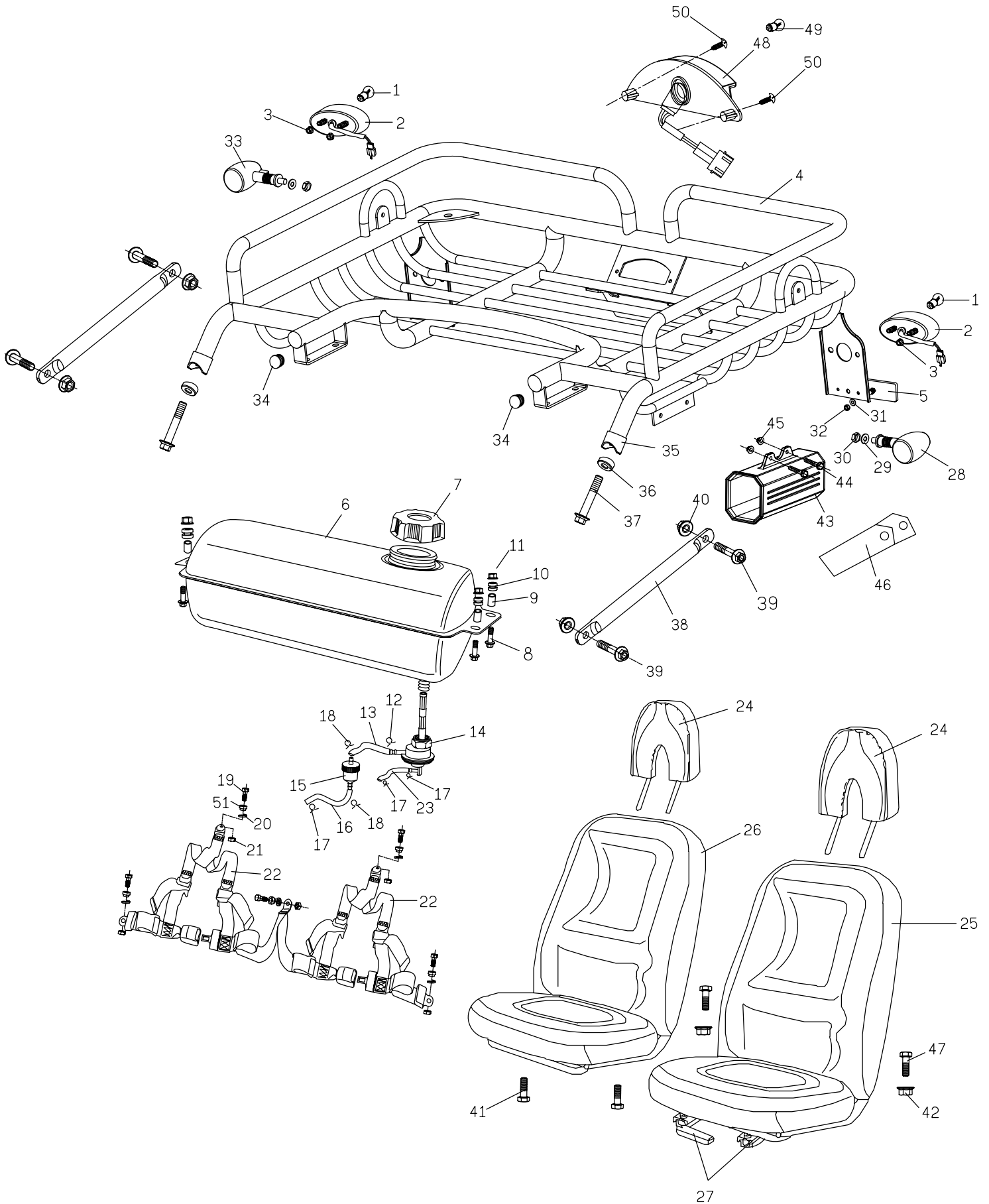
F 4. SUSPENSION ARM ASSY.



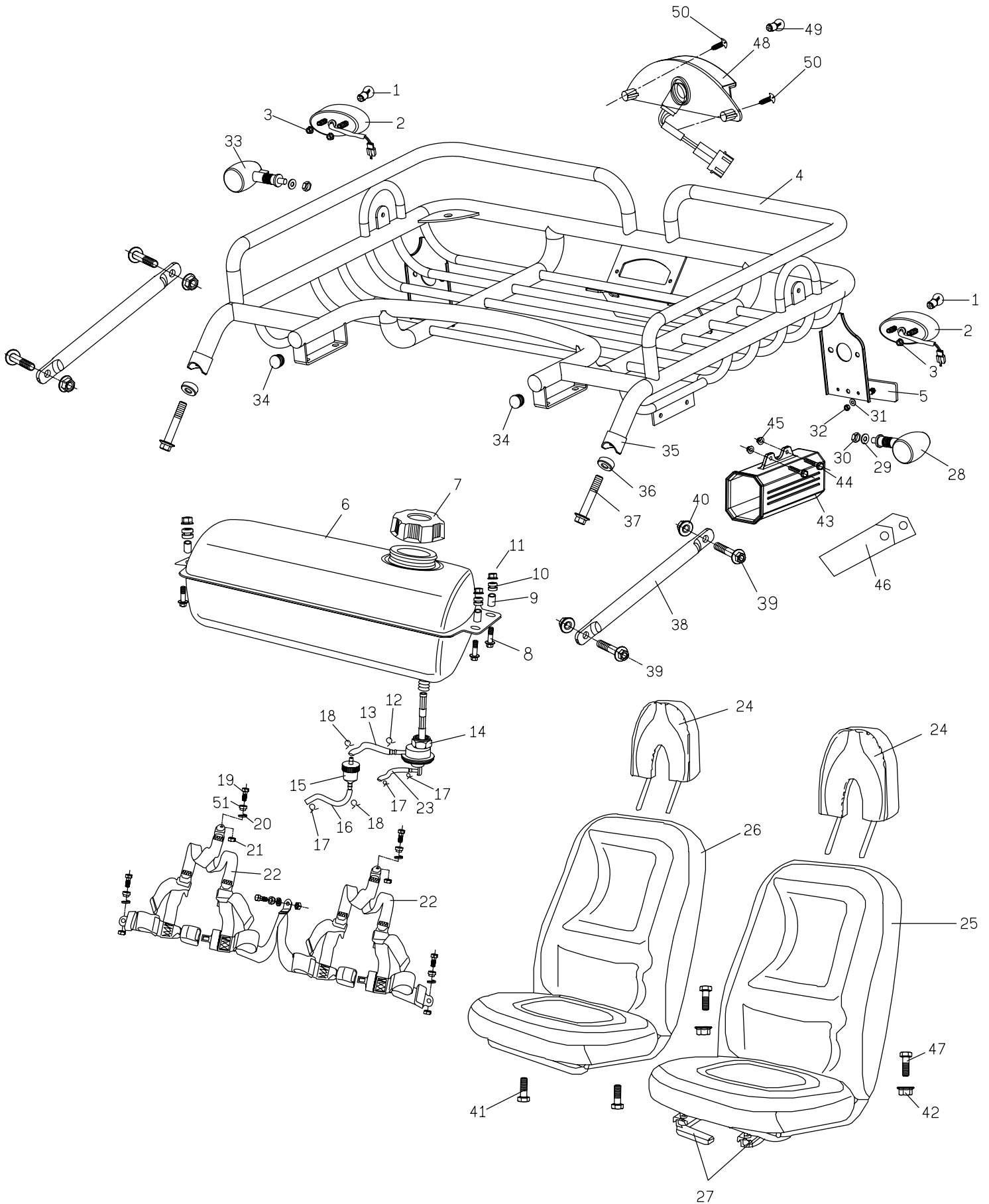
F 4. SUSPENSION ARM ASSY.



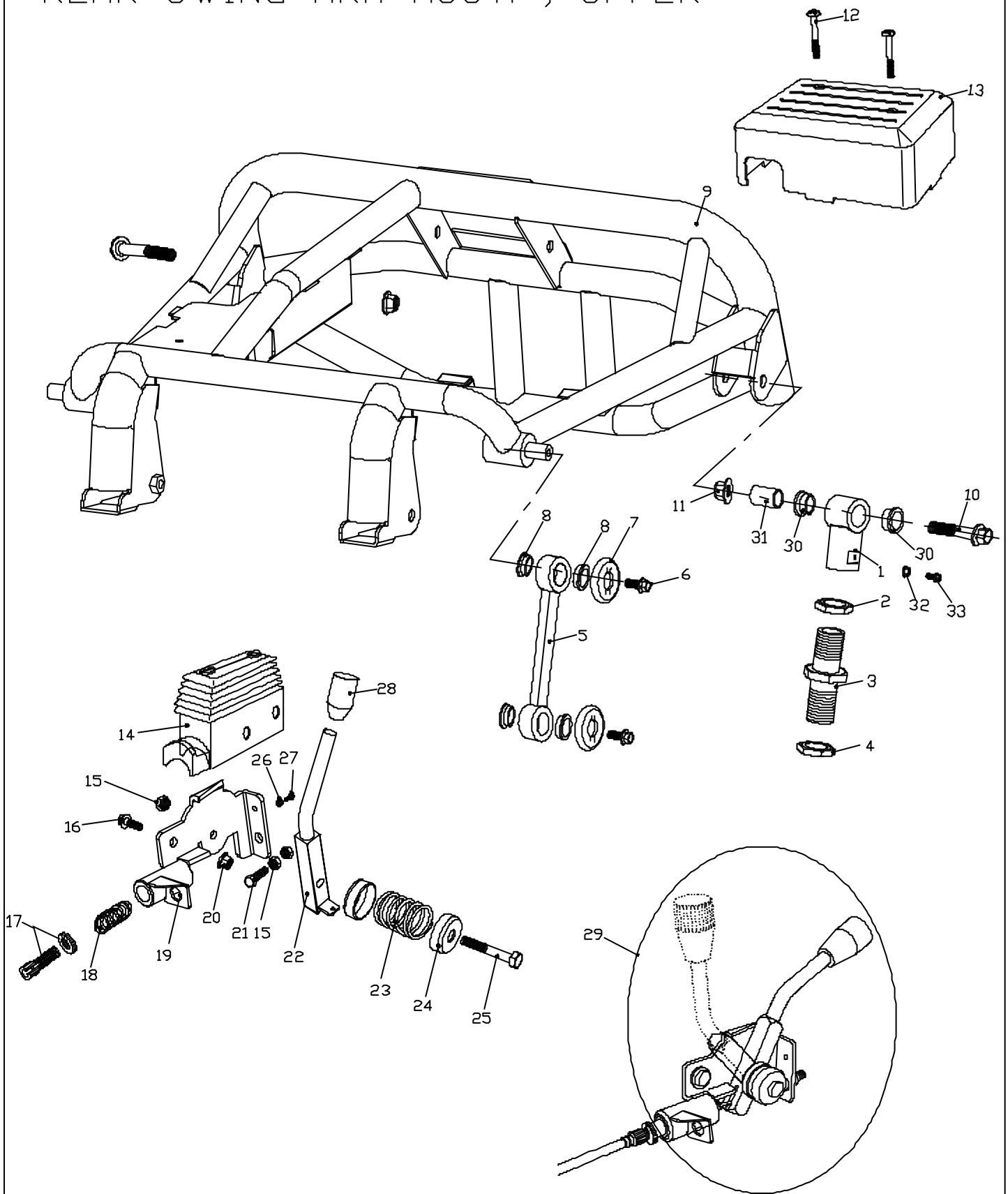
F 5. .REAR CARGO RACK/SEAT/BELT



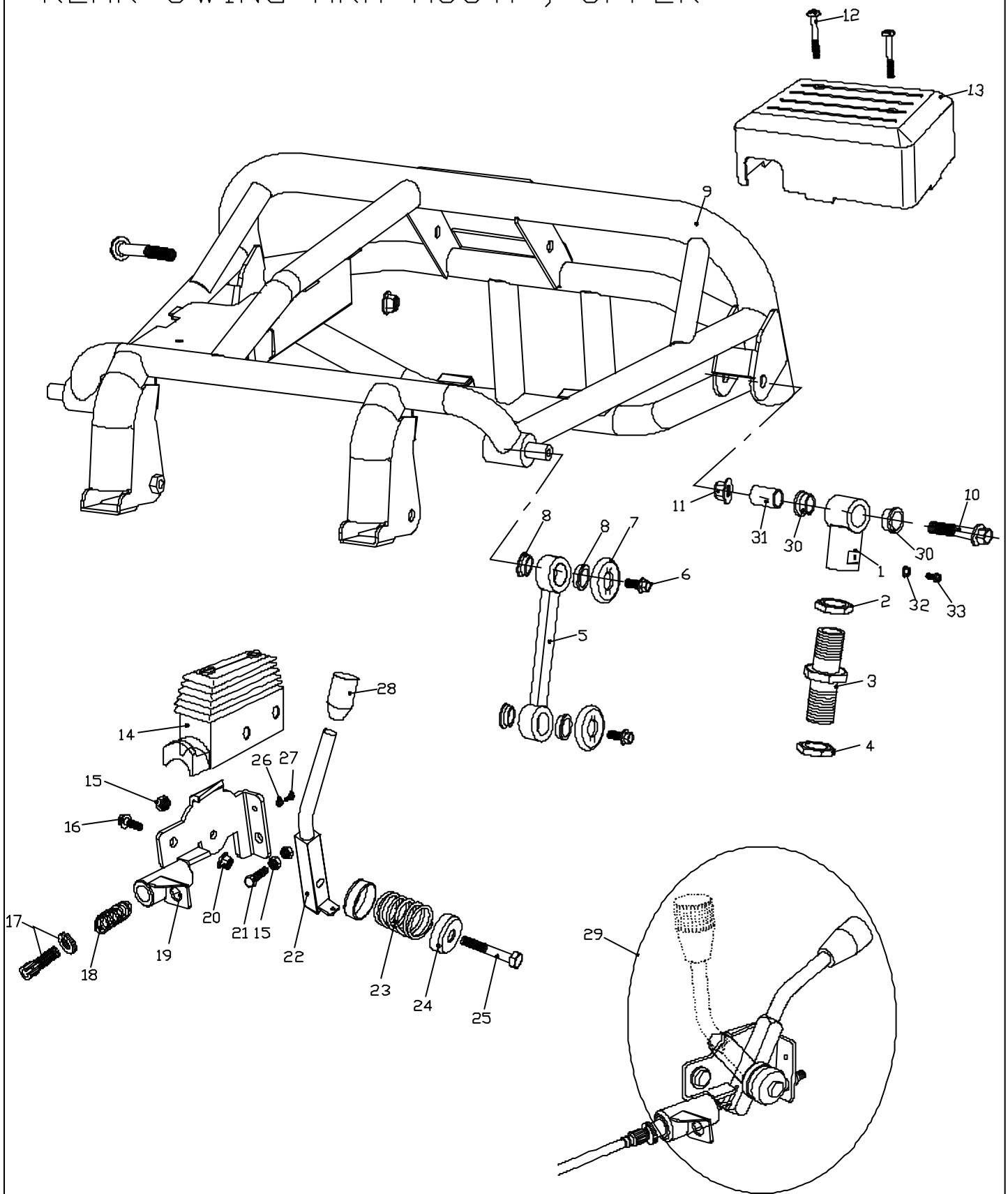
F 5. .REAR CARGO RACK/SEAT/BELT



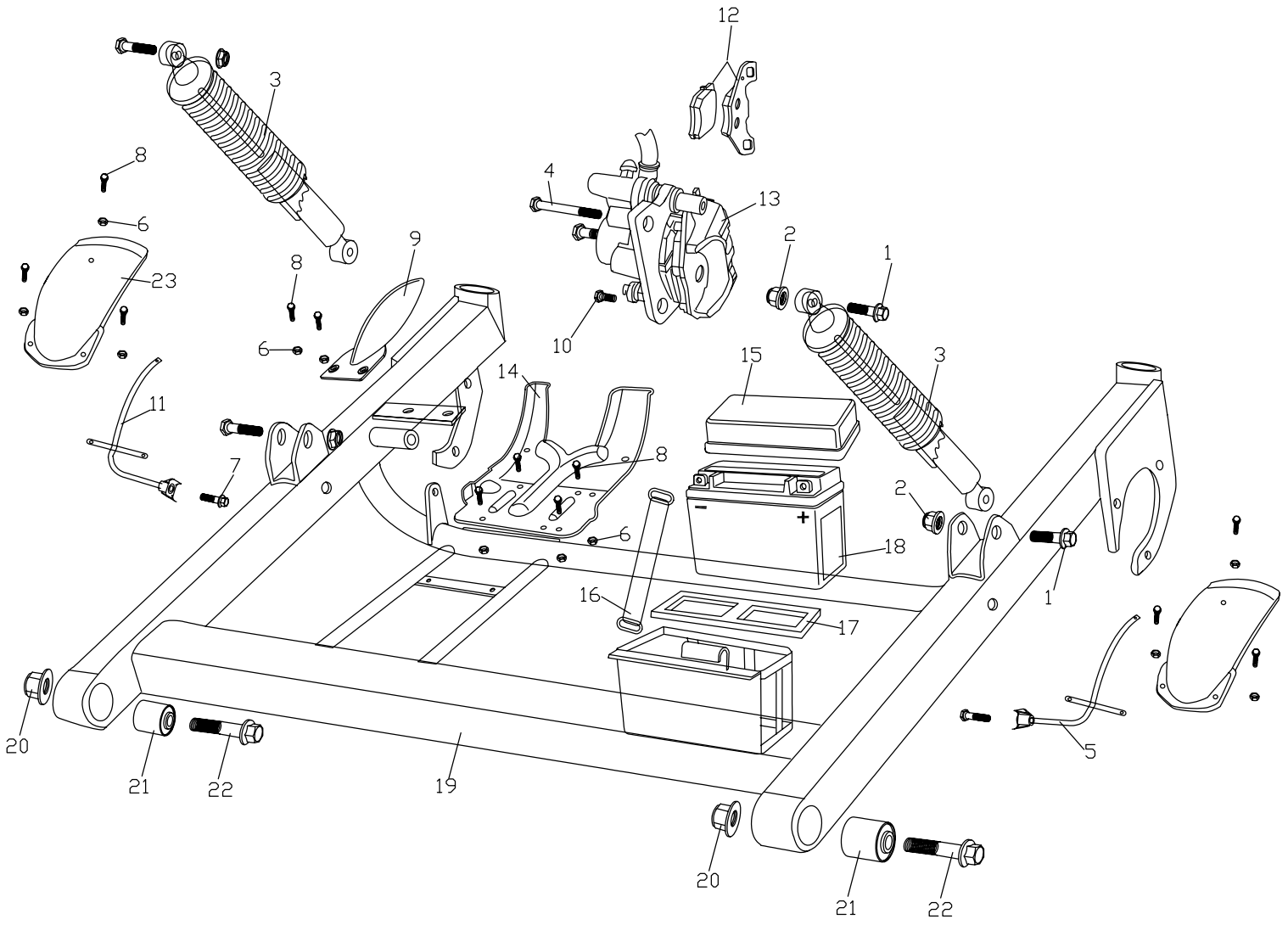
F6.
REAR SWING ARM ASSY. , UPPER



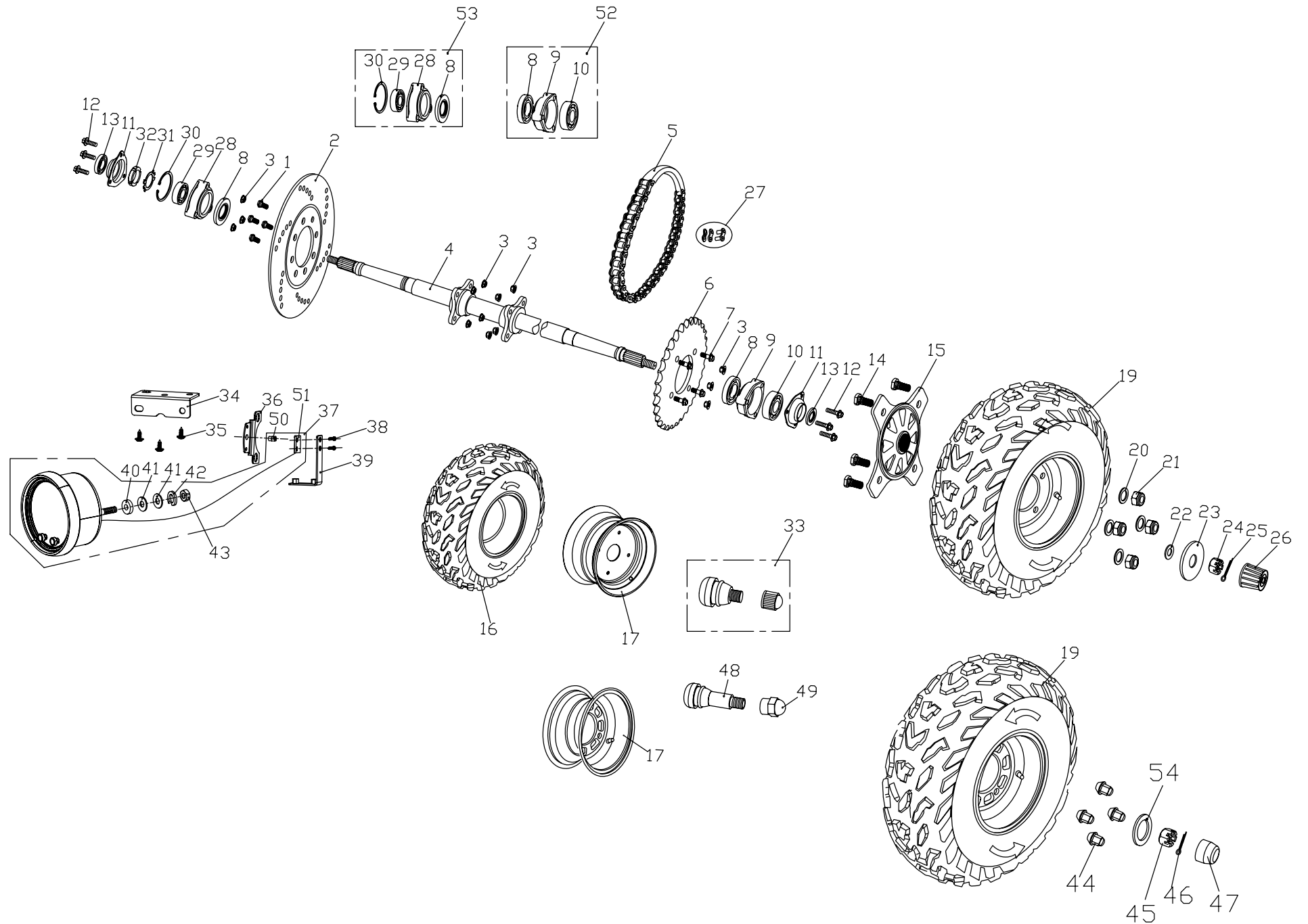
F6.
REAR SWING ARM ASSY. , UPPER



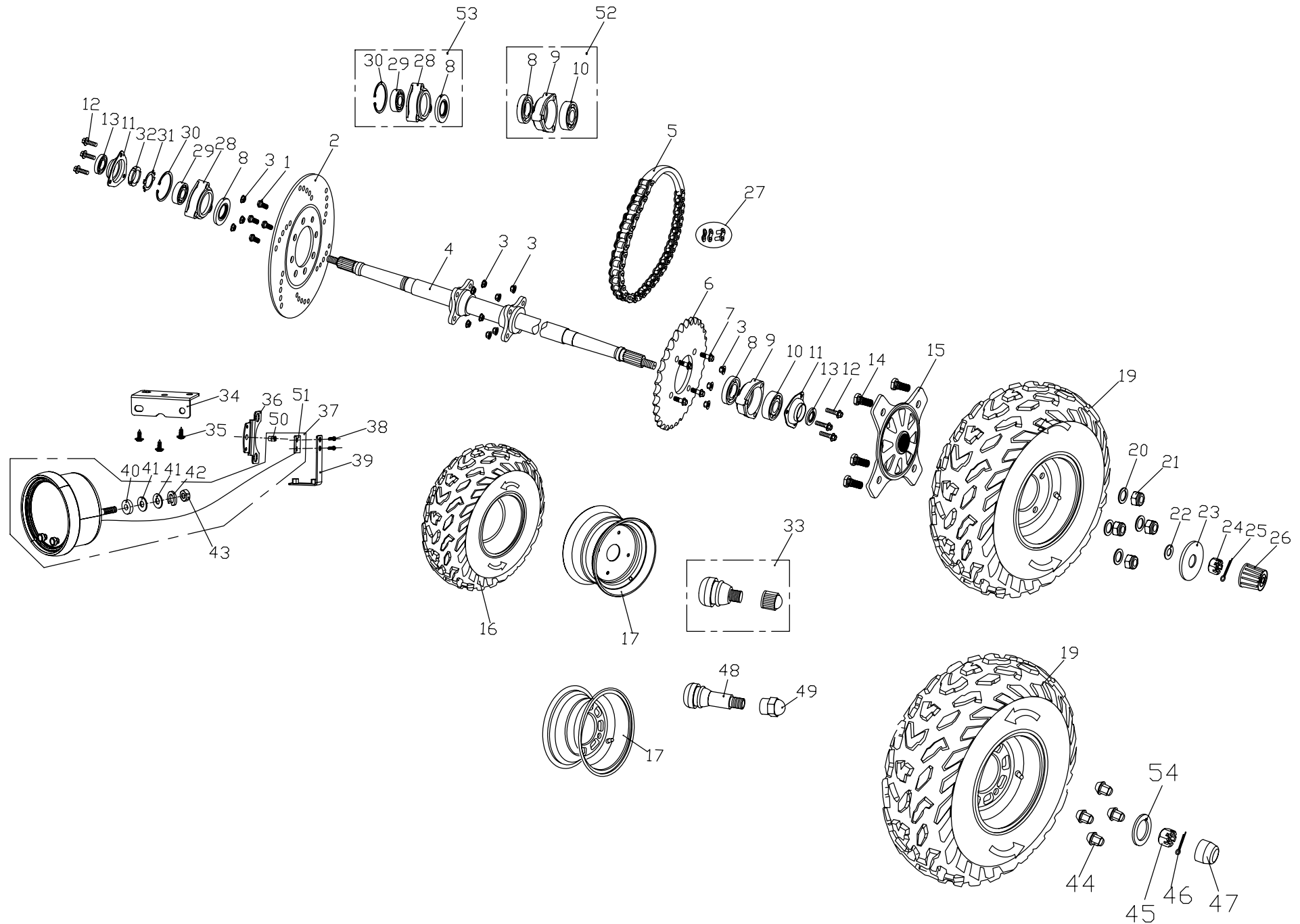
F 7. REAR SWING ARM ,LOWER



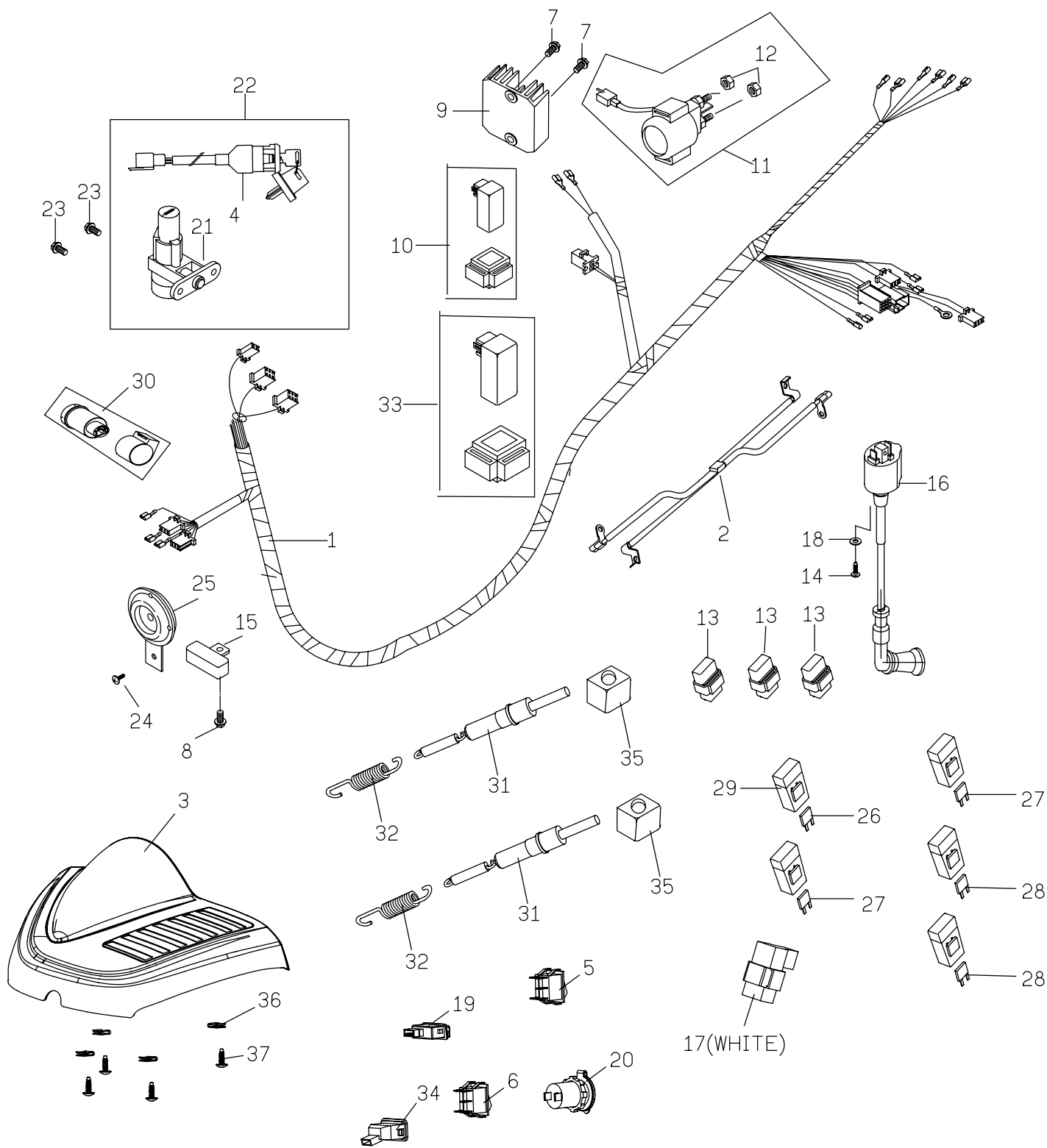
F 8. REAR HOUSING



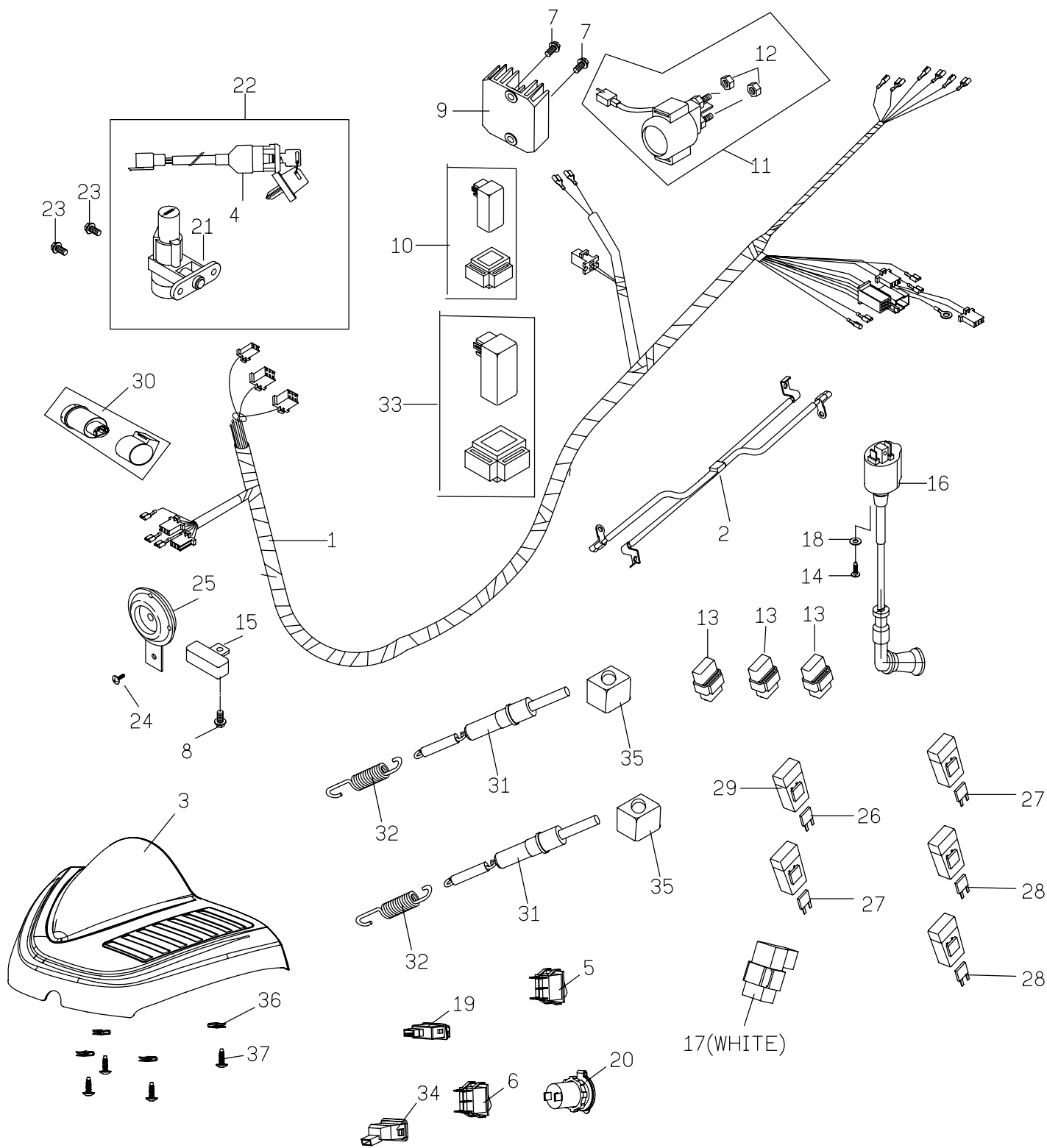
F 8. REAR HOUSING



F9. WIRE HARNESS/ELECTRICAL



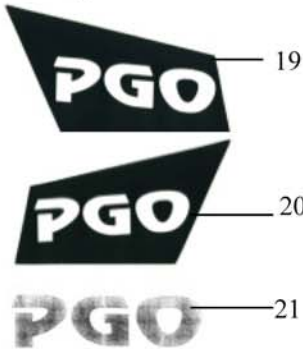
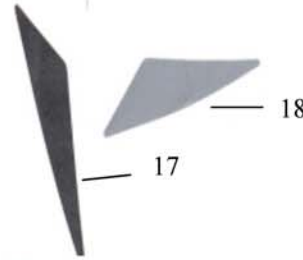
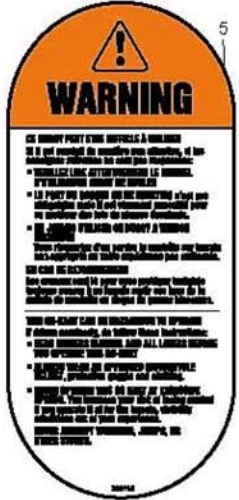
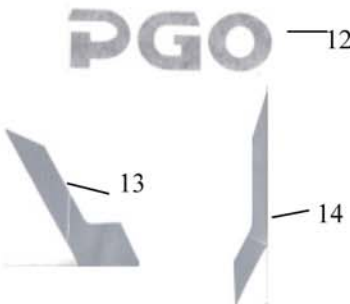
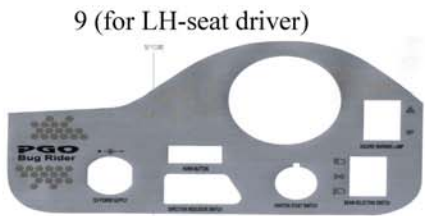
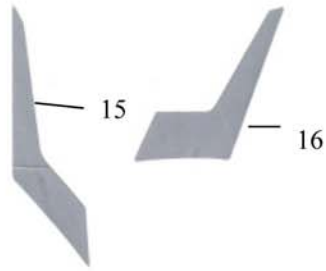
F9. WIRE HARNESS/ELECTRICAL



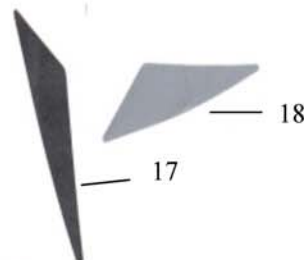
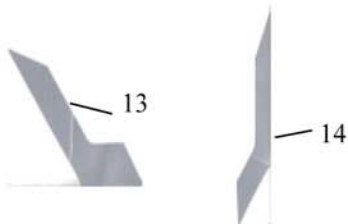
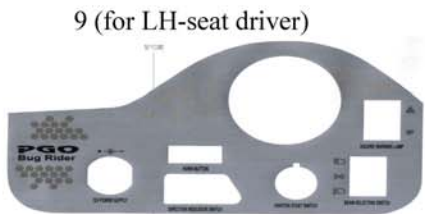
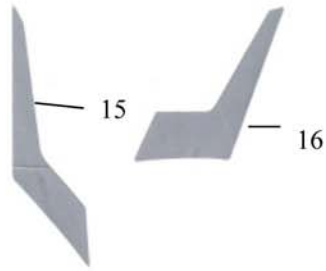
F10. BR-200 LABELS



WARNING Do not Start in Work or At This Address	CAUTION LES CEINTURES DE SECURITE DOIVENT ETRE ATTACHEES
--	---



F10. BR-200 LABELS



摩特動力工業股份有限公司

MOTIVE POWER INDUSTRY CO., LTD.

P G O
SCOOTERS

Factory: No. 66 SHAN-JEAU RD., DA-TSUN HSIANG,
CHANG-HWA HSIEN, TAIWAN, R.O.C.

Tel: 886-4-8528111 Fax: 886-4-8528112

<http://www.english.pgo.com.tw/>

e-mail: pgo@ms12.hinet.net