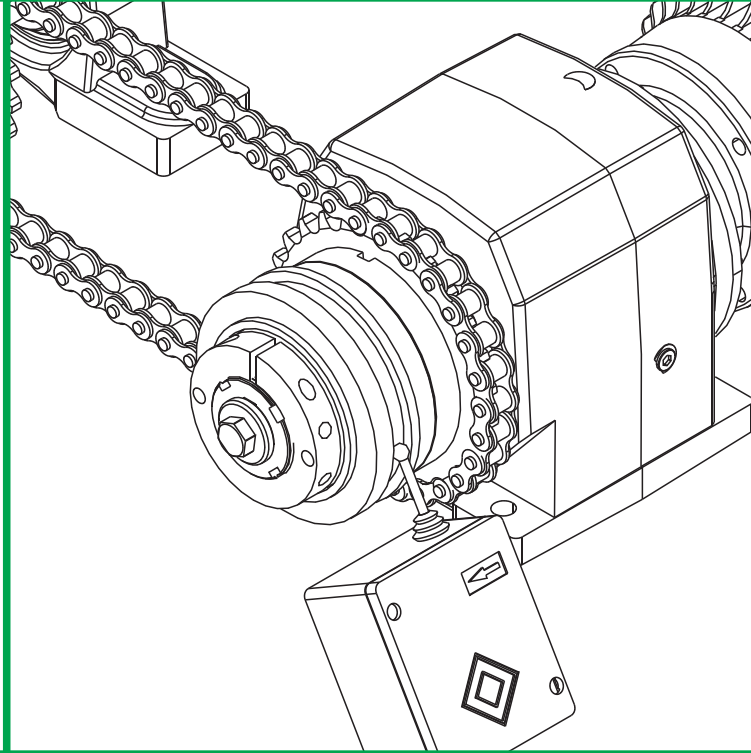


TORQUE LIMITERS - SAFETY COUPLINGS



The function of a safety device such as a torque limiter, is to protect the drive components such as a gearbox and the end product in case of an overload or accidental collision, which can lead to expensive damage and lost productivity.

Benefits of our models ...

- Long product life with continuous reliability.
- Optimum protection against environmental conditions.
- Simple mounting in offset and parallel transmission.
- Easy setting and adjustment.
- Highly accurate and fast machine protection.
- Special designs to suit specific applications possible.
- Competitive pricing without sacrificing quality.
- "Made in Italy" with certified quality.



ComInTec[®]

TORQUE LIMITERS – SAFETY COUPLINGS

FRICITION TORQUE LIMITER "DSF/EX"



Overload protection device with a sprocket mounted between two friction discs that slides without disengaging when it reaches the pre-set peak torque – The torque is steplessly adjustable by altering the spring pressure.

Simple, economical and suitable for dry and dusty conditions

**Torque 1÷23000 Nm
Max. bore ø140mm**

ECONOMY BALL TORQUE LIMITER "EDF/F"



Overload protection device with same principle as the friction torque limiter model, but with ball drive and full disengagement at the pre-set peak torque. The torque is steplessly adjustable by altering the spring pressure.

Compact and low cost ball version available with sprocket or flange. Suitable for oily and/or greasy environments.

**Torque 7,5÷1450 Nm
Max. bore ø 55mm**

BALL AND ROLLER TORQUE LIMITER "DSS/DSR"

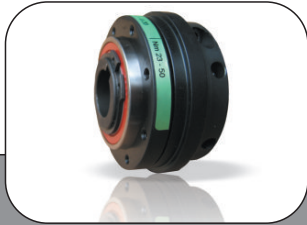


Overload protection device with Ball or Roller transmission, that disengages fully at the pre-set peak torque. The torque is steplessly adjustable by altering the spring pressure.

Offering high stability during operation. Re-synchronising in various positions possible. A full range of mounting options are possible.

**Torque 1÷12000 Nm
Max bore ø 120mm**

BACKLASH FREE TORQUE LIMITER "DSS/SG"



A backlash free overload protection device with ball transmission, that disengages fully at the pre-set peak torque. Very high sensitivity possible with negative spring version. The torque is steplessly adjustable by altering the spring pressure.

Allows the immediate disconnection without any residual torque remaining.

**Torque 5÷750 Nm
Max bore ø 50mm**

PNEUMATIC CLUTCHES "/AP"

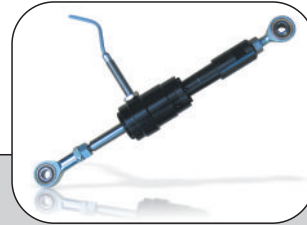


Friction or roller clutches with adjustment of the peak torque possible remotely by altering the pneumatic pressure.

Possibility to vary the transmission torque during operation and allow full disengagement with free rotation if required.

**Torque 1÷30000 Nm
Max bore ø 120mm**

AXIAL DEVICE "DSA"



Linear overload protection device that disengages in the axial direction (in compression or in tension) at the pre-set force by altering the spring pressure.

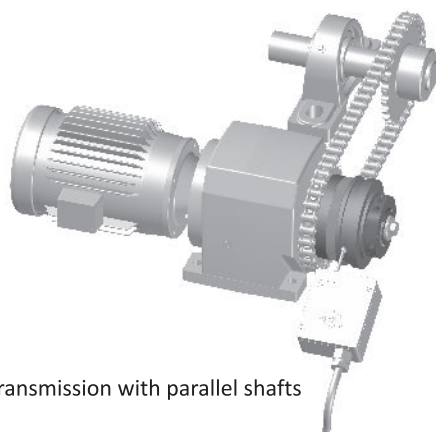
Force 30÷7000 N

Main applications ...

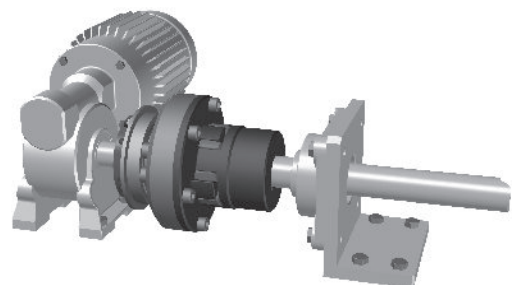
- Packaging machines and Wrapping machines.
- Bottling Machines.
- Labelling machines.
- Conveyors.
- Filling , forming and sealing machines.
- Machines with alternating torque requirements.
- Production lines with various run – non run cells.
- Automotive.

Advantages and benefits ...

- Protects the end product from deformation.
- Protects the drive system from damage.
- Reduces production down time costs.
- Protects the film of wrapping machines in case of higher tension.
- Maintains the timing between driver and driven after an overload.
- Engagement and disengagement of different product transportation lines.
- Allows different working torques where product sizes change.
- Protects conveyor belts and drive train in case of a product collision.



Transmission with parallel shafts



Transmission with offset shafts