

S.21 Weathertight Door

The Series 21 door is one of our best sellers. It is a medium weight weathertight door with a lever latch close mechanism. This series is designed for use of commercial craft which operate offshore and in coastal waters.

The panel on this section is strong, rigid, light, insulated and has durability. For ease of installation the outer frame of the Series 21 door is available with either a through fix or clamp in frame.

Options for windows include having a single or double glazed window fitted, having the door half glazed or alternatively the door can be left fully panelled.

To complement the doors' surroundings, both the outer frame and door panels are anodised and can be powder coated in a wide range of colours.

Inside View



Outside View

Window Options Include...

- Fixed
- Half Glazed
- Double Glazed Fixed
- Half Drop

Key Points:

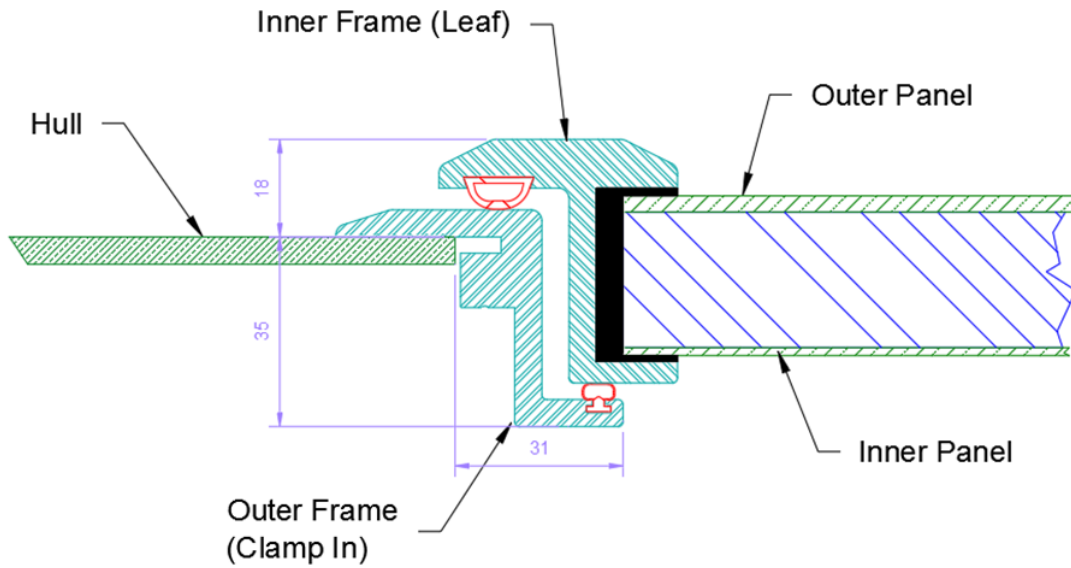
- Through Fix or Clamp In Frame
- Outward Opening
- 110mm Radius
- Variety of Finishes Available
- Locks Available

See reverse for technical data

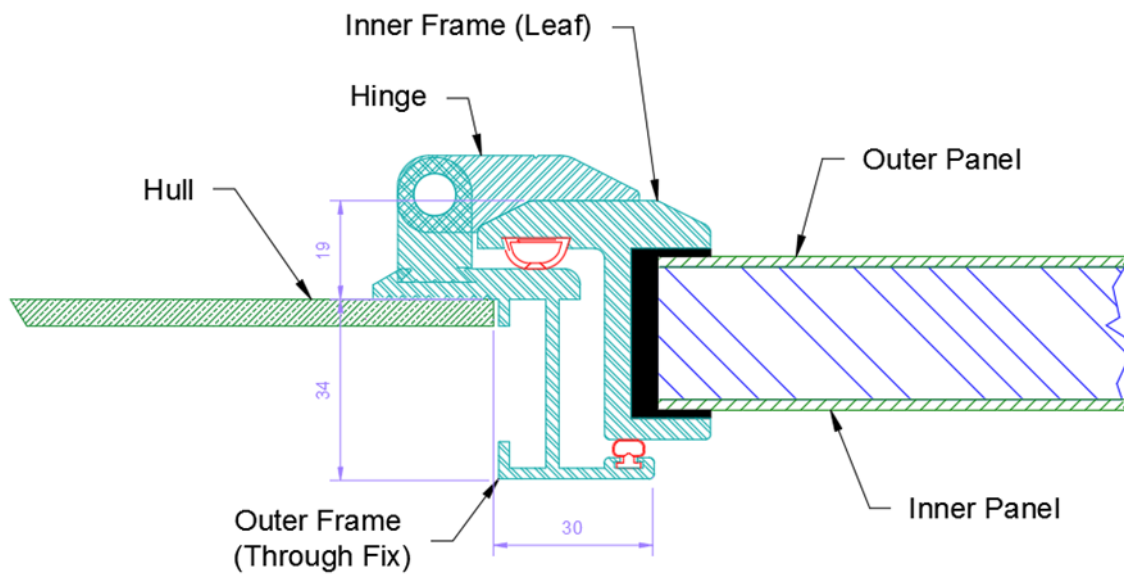


S.21 Weathertight Door

S.21 Clamp In



S.21 Through Fix



Drawings and 3D models available on request.