



THE **EOS.**
LED AREA / FLOOD LIGHTS



FSL SERIES



THE **SUPERIOR FSL** SERIES

	FSL 500	60W 100W
	FSL 510	150W 200W
	FSL 520	240W 300W



3.

**WE CONTINUE TO BRING
ADVANCED LED TECHNOLOGY
TO THE LIGHTING INDUSTRY.**

THE EOS.

PRODUCT OVERVIEW



Optical Distribution.

Type II , Type III, Type IV , and Type V are available to address area and flood lighting needs.

Color Temperatures.

4000K and 5000K Color Temperature options available.

Sensor Option.

When specified, motion sensor options are available for the luminaire.



Finish.

Bronze, white, gray, black, silver and other optional finishes available upon request.

Multiple Mounts

Slip fitter (standard), extension arm, and trunnion, mounts available.



Integrated Fin Design.

Designed with heat dissipating fin feature, for wind resistance, longer durability and better performance.

Low Profile.

Rugged, die-cast aluminum housing for maximum durability of the luminaire.



Die-cast Housing.

Rugged, die-cast aluminum housing for maximum durability of the luminaire.

IP65-rated Luminaire.

IP65-rated electrical and optical assembly ensures protection from harsh environmental factors to ensure durability and longevity.

Product Description.

UL wet listed die-cast aluminum construction with PC optic lens

Premium brand LEDs (Philips® chips depending on SKU) YG® driver technology • Dimming option available • Precision die cast • Trunnion and Slip fitter mount available • Optional arm mount (sold separately) • Wet Location rated fixture for outdoor use • Chip and fade resistant powder coat finish in any color • Industrial grade, Button-type photocell available • Optional arm mount (sold separately) • Wet Location rated fixture for outdoor use • Chip and fade resistant powder coat finish in any color • Industrial grade, Button-type photocell available.

ACCESSORIES



Motion Sensor.



Photocell.



Slip Fitter.



Trunnion.

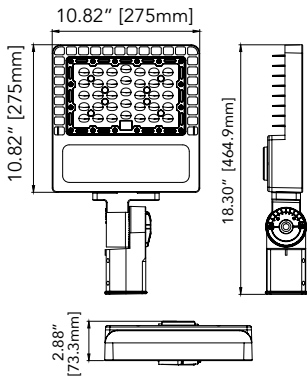


Extension Arm.

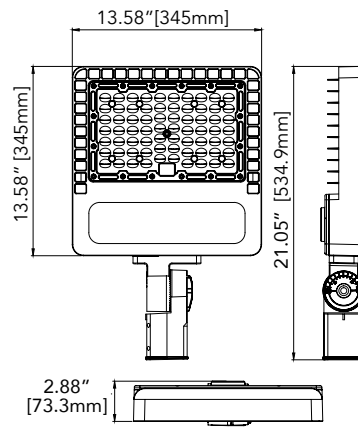


SP1 Surge Protector.

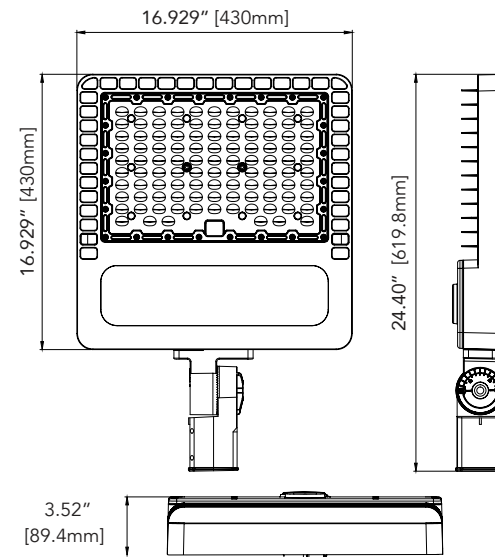
LINE DRAWING



FSL500



FSL510



FSL520



FSL 500
60W
100W



FSL510
150W
200W



FSL 520
240W
300W

CERTIFICATIONS

- **DLC 4.2 Premium**
- **cUL-us Listed**

SPECIFICATION & VARIATIONS

Sample

FSL520-240W-40K-V8-D-PC-MS-S1-BZ-EA

BODY TYPE	SYSTEM WATTAGE	CCT	VOLTAGE	DIMMING OPTION	ELECTRICAL (PHOTOCELL)	ELECTRICAL OPTIONS	ELECTRICAL OPTICS	SURGE PROTECTOR	HOUSING FINISH	MOUNTING
FSL520 -	240W -	40K -	V8 -	D -	PC -	PC -	T5 -	S1 -	BZ -	SF
FSL500	60W 100W	40K = 4000K 50K = 5000K	V1 = 120V V2 = 208V V3 = 220V V4 = 240V V5 = 277V V8 = 120-277V	D = Dimming N = Non-Dimming	PC = Photocell NA = None	MS = Motion Sensor NA = None	T2 = TYPE II T3 = TYPE III T4 = TYPE IV T5 = TYPE V	NA = None S1 = Surge Protector	BZ = Bronze WH = White BK = Black SL = Silver GY = Gray	SF = Slip Fitter TR = Trunnion EA = Extension Arm
FSL510	150W 200W									
FSL520	240W 300W									

Contact our sales representative and build your own SKU order number by using the specification & variation table. Please note that any custom built SKU number will delay your shipping schedules. Be sure to include the luminaire's specification in the following order: [Body Type] + [Model Number] + [System Wattage] + [CCT] + [Voltage] + [Dimming Option] + [Electrical Photocell] + [Electrical Options] + [Electrical Optics] + [Housing Finish] + [Mounting]. This section only pertains towards FSL series SKUs.

PRODUCT SUMMARY

LED Chip:	LG® 3535 or CREE® XPG2 LED
CRI:	≥80
Driver:	Adjustable 0-10V Dimming type is continuous,The product can dim to 10%
THD:	< 20% @ full load
PF:	> 0.9 @ full load, 100V through 277V
Driver Efficiency:	> 85%
Warranty:	Warranty: 5 Years (terms and conditions apply).
Ambient Operating Range:	-30°C to 40°C
Rated Life:	More than 100K hours per L70 TM-21 @ 70 °C
Dimensions:	EOS520: 23.62" x 13.58" x 3.88" , EOS510: 18.96" x 11.32" x 3.88" EOS500: 18.96" x 11.32" x 3.88"
Weight:	FSL500: 10.14 lbs., FSL510: 13.89 lbs., FSL520: 23.81 lbs.
Electrical:	120-277V operation, 50/60Hz, Single Driver RoHS and IP65
Application:	Ideal for Commercial Office spaces, Parking Lots, Stadiums, Highways. Suitable for use with most wired or wireless lighting control systems. Suitable for wet Locations.

THE **EOS.**
PRODUCT SPECIFICATIONS



FSL500 - 60W									
CCT	SYSTEM WATTAGE	LED WATTAGE	LUMENS (LMS)	LUMENS PER WATT	REPLACES (MH)	CRI	OPTICS INFORMATION	VOLTAGE	WEIGHT
40K	60W	52W	7200	120	200W	≥80	TYPE II	120-277V	10.14 lbs.
			7200	120			TYPE - III		
			7200	120			TYPE IV		
			7200	120			TYPE V		
50K	60W	52W	7200	120	200W	≥80	TYPE II	120-277V	10.14 lbs.
			7200	120			TYPE - III		
			7200	120			TYPE IV		
			7200	120			TYPE V		
FSL500 - 100W									
CCT	SYSTEM WATTAGE	LED WATTAGE	LUMENS (LMS)	LUMENS PER WATT	REPLACES (MH)	CRI	OPTICS INFORMATION	VOLTAGE	WEIGHT
40K	100W	90W	12000	120	320W	≥80	TYPE II	120-277V	10.14 lbs.
			12000	120			TYPE - III		
			12000	120			TYPE IV		
			12000	120			TYPE V		
50K	100W	90W	12000	120	320W	≥80	TYPE II	120-277V	10.14 lbs.
			12000	120			TYPE - III		
			12000	120			TYPE IV		
			12000	120			TYPE V		

To view photometrics visit our website.

THE EOS.
PRODUCT SPECIFICATIONS

FSL520 - 150W		CCT	SYSTEM WATTAGE	LED WATTAGE	LUMENS (LMS)	LUMENS PER WATT	REPLACES (MH)	CRI	OPTICS INFORMATION	VOLTAGE	WEIGHT
		40K	150W	135W	18000	120	320W	≥80	TYPE II	120-277V	13.89 lbs.
			18607	120	TYPE - III						
			18344	120	TYPE IV						
			18000	120	TYPE V						
50K	150W	135W	18000	120	320W	≥80	TYPE II	120-277V	13.89 lbs.		
			18802	120			TYPE - III				
			18536	120			TYPE IV				
			18000	120			TYPE V				
FSL520 - 200W		CCT	SYSTEM WATTAGE	LED WATTAGE	LUMENS (LMS)	LUMENS PER WATT	REPLACES (MH)	CRI	OPTICS INFORMATION	VOLTAGE	WEIGHT
		40K	200W	180W	24000	120	400W	≥80	TYPE II	120-277V	13.89 lbs.
			24409	120	TYPE - III						
			24137	120	TYPE IV						
			24000	120	TYPE V						
50K	200W	180W	24000	120	400W	≥80	TYPE II	120-277V	13.89 lbs.		
			24616	120			TYPE - III				
			24340	120			TYPE IV				
			24000	120			TYPE V				

To view photometrics visit our website.

THE **EOS.**
PRODUCT SPECIFICATIONS



FSL520 - 250W										CCT	SYSTEM WATTAGE	LED WATTAGE	LUMENS (LMS)	LUMENS PER WATT	REPLACES (MH)	CRI	OPTICS INFORMATION	VOLTAGE	WEIGHT
										40K	250	220W	28800	120	600W	≥80	TYPE II	120-277V	23.81 lbs.
			28800	120	TYPE - III														
			28800	120	TYPE IV														
			28800	120	TYPE V														
50K	240W	220W	28800	120	600W	≥80	TYPE II	120-277V	23.81 lbs.										
			28800	120			TYPE - III												
			28800	120			TYPE IV												
			28800	120			TYPE V												
FSL520 - 300W										CCT	SYSTEM WATTAGE	LED WATTAGE	LUMENS (LMS)	LUMENS PER WATT	REPLACES (MH)	CRI	OPTICS INFORMATION	VOLTAGE	WEIGHT
										40K	300W	270W	36000	120	750W	≥80	TYPE II	120-277V	23.81 lbs.
			36000	120	TYPE - III														
			36000	120	TYPE IV														
			36000	120	TYPE V														
50K	300W	270W	36000	120	750W	≥80	TYPE II	120-277V	23.81 lbs.										
			36000	120			TYPE - III												
			36000	120			TYPE IV												
			36000	120			TYPE V												

To view photometrics visit our website.

Ready to Order or have any questions?

Contact us for any additional information, such as IES documentation and lighting specification Sheets, or please visit us online at: www.eranindustrial.com



Office

1.844.411.LITE



Sales

sales@eranindustrial.com

Office Location.



USA Office

3500 NW 2nd Avenue,
Ste 717 Boca Raton,
Florida 33431



CHINA Headquarters

17/F Guangbo Mansion
#1357 Yinxian Avenue
Yinzhou District
Ningbo, China 315100





eran industrial.