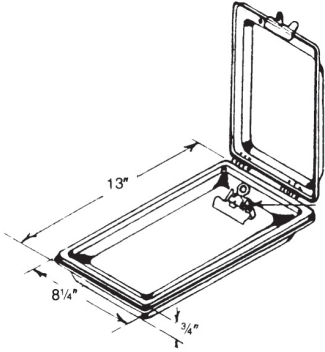
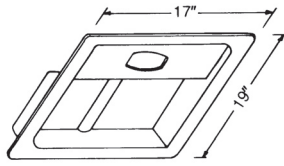


936-001



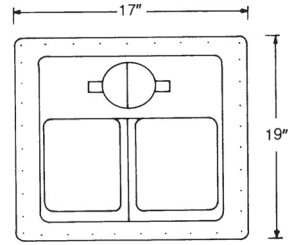
FLEET NUMBER: 936-001
REPLACEMENT FOR: MANIFEST BOX
REPLACEMENT FOR: 80-201

936-001-005



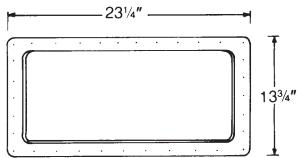
FLEET NUMBER: 936-001-005
REPLACEMENT FOR: ELEC. NOSE BOX/PAN
REPLACEMENT FOR:

936-001-010



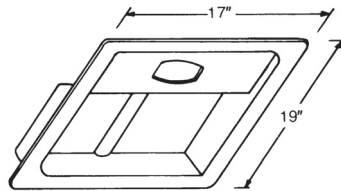
FLEET NUMBER: 936-001-010
REPLACEMENT FOR: ELEC. NOSE BOX/PAN
REPLACEMENT FOR:

936-001-015



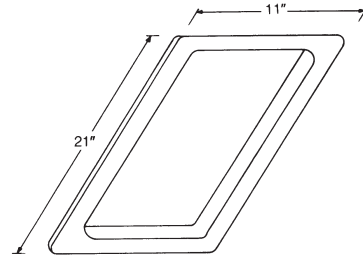
FLEET NUMBER: 936-001-015
REPLACEMENT FOR: MAIFEST PAN
REPLACEMENT FOR:

936-001-020



FLEET NUMBER: 936-001-020
REPLACEMENT FOR: NOSE BOX - PAN
REPLACEMENT FOR:

936-001-025



FLEET NUMBER: 936-001-025
REPLACEMENT FOR: MANIFEST PAN
REPLACEMENT FOR:

MANIFEST BOX