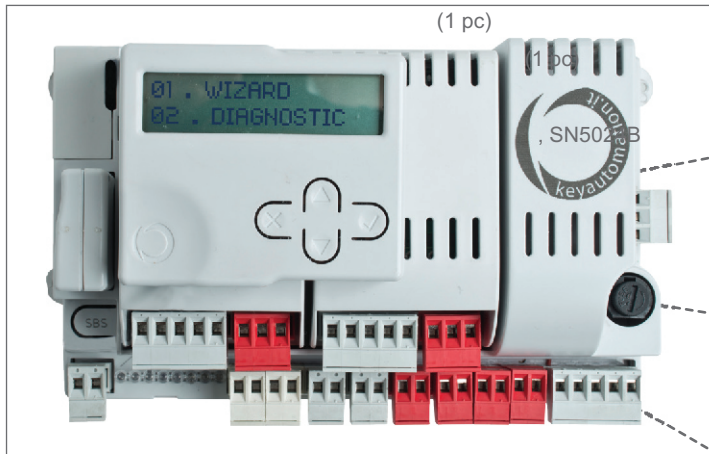


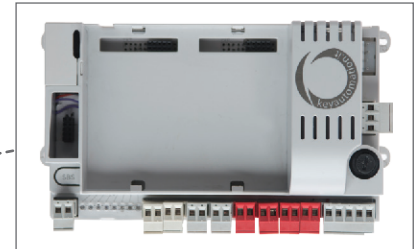
14A

24 Vdc CONTROL UNIT



(1 pc)

(1 pc)



Logic mainboard (MA24)



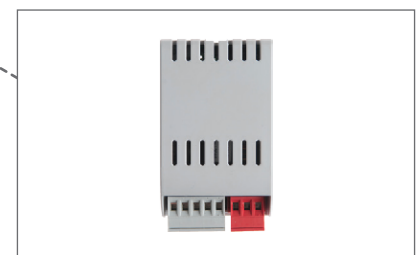
Display module (DY)



Control unit in box for 2 24Vdc motors (BOX250)



4 channels plug-in receiver (RX4X)



24Vdc 10A power module (PO24)

PLUS

New generation control unit "One For All" to control all 24Vdc automations

NIGHT LIGHT SYSTEM to control Led lights during night hours

14A main functions:

- possibility to combine the power modules according to the installation (1 or 2 motors)
- same programming for different systems
- wide display in different languages to program both the motor and the radio receiver
- compatible with main home automation systems
- amperometric obstacle detection with run inversion
- standard or programmable slowdown in opening and closing
- programmable pedestrian automatic closing

- separate OPEN-STOP-CLOSE inputs and PP - Pedestrian input
- safety edge 8,2K ohm NC - photo 1 and photo 2
- inputs and safety devices LED visualization
- optional test for safety edge
- LED courtesy light output
- open gate indicator output
- plug-in programmable radio receiver 4 channels
- for motors with or without encoder
- flashing light output with user indicator
- electrolock output
- battery back-up optional

MODELS

| CODE | DESCRIPTION |
|---------|--|
| 14AB2 * | Control unit in box for two 24Vdc motors (without DY and without receiver RX4X) with transformer 250 VAmp (1 pc) |
| MA24 | Logic mainboard |
| PO24 | Power module 24Vdc 10A |
| BOX250 | Box with transformer 250 VAmp (1 pc) |

* mandatory for motors RAY4024E, INT24, SN-50-24

| TECHNICAL DATA | 14AB2 | | |
|--------------------------|-----------|--|-----------------|
| ELECTRICAL DATA | | | |
| input power | Vac/Hz | | 230/50 |
| output power accessories | Vac (Vdc) | | (24) |
| max motor power | W | | 300 |
| max working time | sec | | 240 |
| max pause time | sec | | 900 |
| obstacle detection | | | yes |
| GENERIC DATA | | | |
| protection degree | IP | | 54 |
| dimensions (L - D - H) | mm | | 222 - 110 - 275 |
| operating temperature | °C | | -20 + 55 |

ACCESSORIES



DY
Display module
Cable lenght 20 cm



DYL
Display module
Cable lenght 120 cm

DISPLAY FUNCTIONS DY - DYL:

- system programming
- radio codes programming
- diagnostics
- motor control
- multiple languages

PC 1



RX4X
4 channels plug-in
receiver