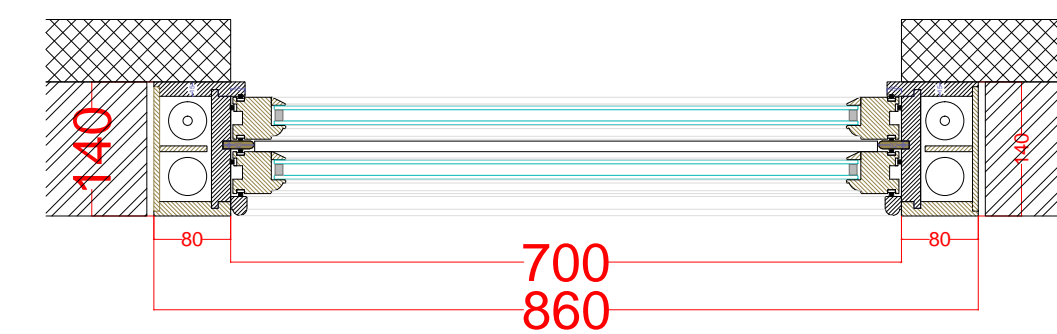
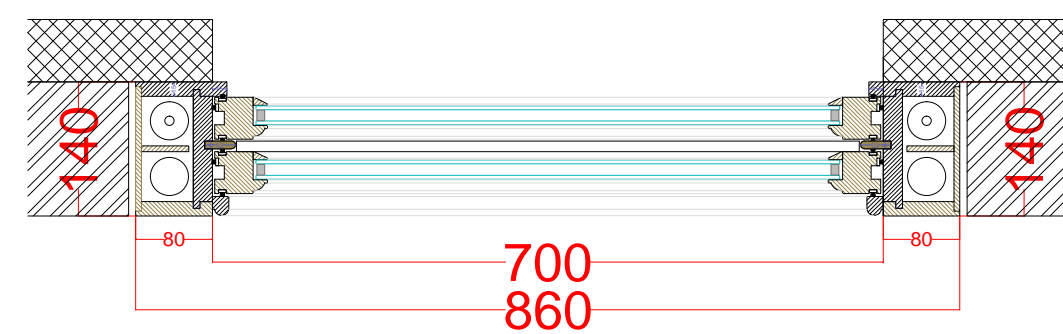
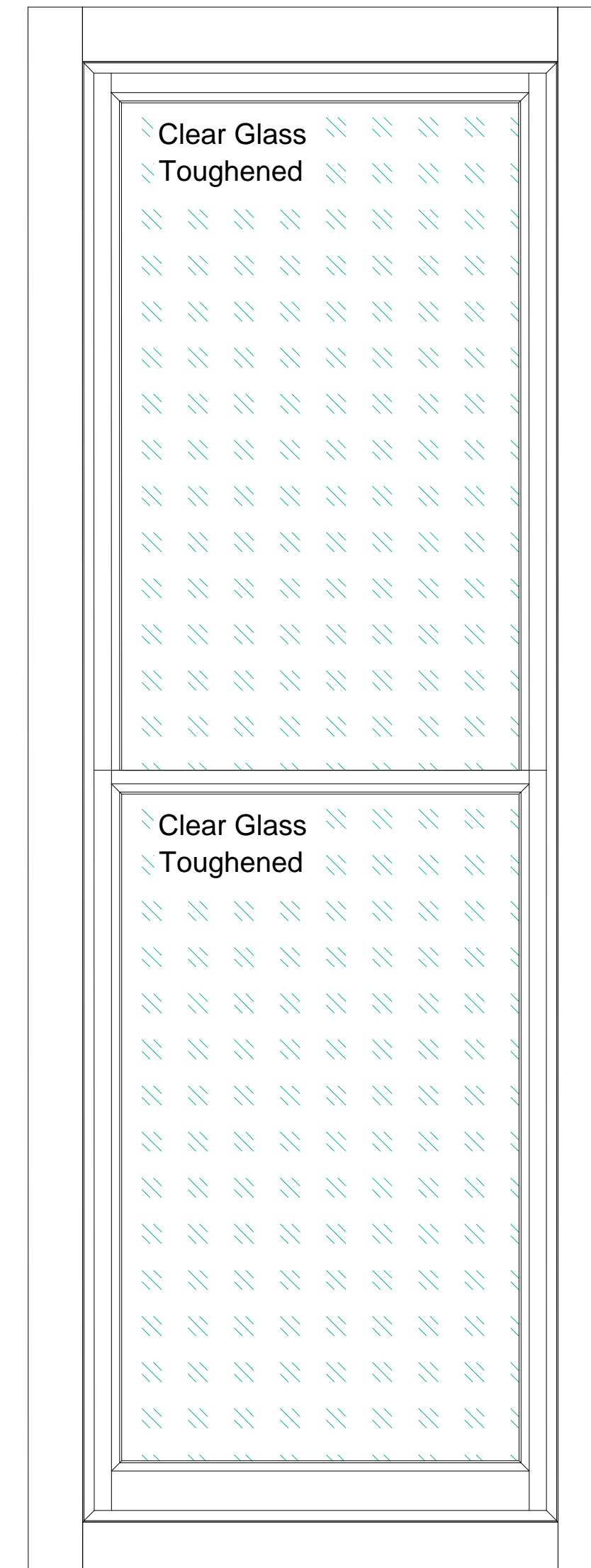
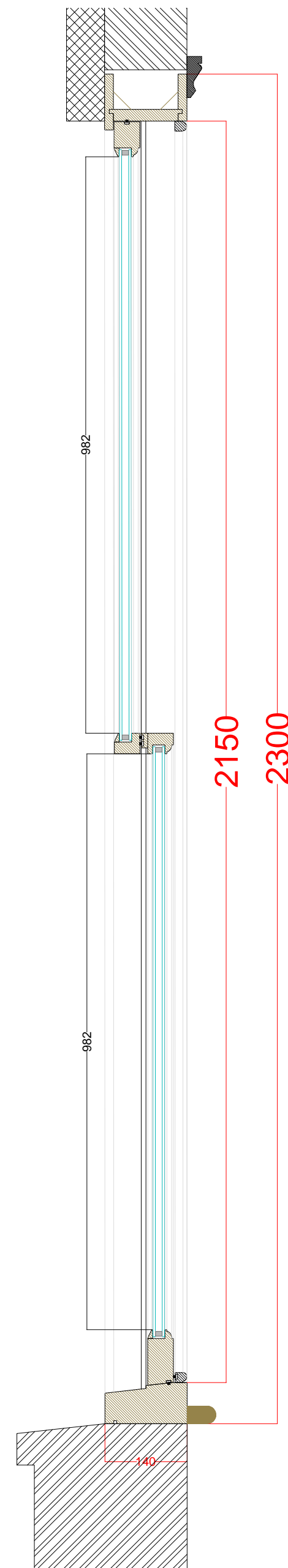
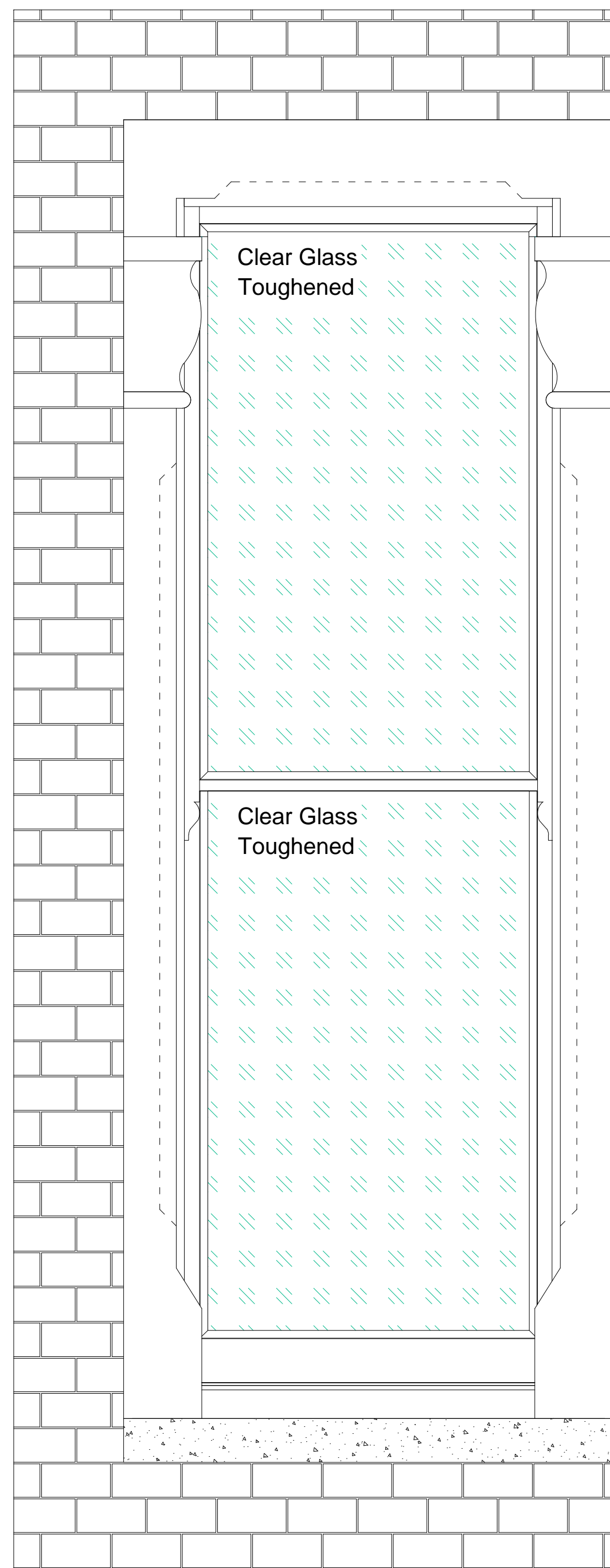


Ground Floor Bay Area Right Window 'W-G-01'



SPECIFICATION

No OF WINDOWS	1 No, Full Box
WOOD	SOFTWOOD, HARDWOOD SILL
TYPE	LEAD WEIGHT
HORNS	YES Top Sash, MODEL No 2
DRAFT PROOF	YES
GLASS- TOP SASH	Toughened Clear Glass , 4-12-4 mm ARGON FILLED SEALED UNIT, K GLASS
GLASS- BOTTOM SASH	Toughened Clear Glass , 4-12-4 mm ARGON FILLED SEALED UNIT, K GLASS
ARCHITRAVES	YES
WINDOW BOARD	NONE
FINISH/PAINT	WHITE GLOSS OUTSIDE / TBC Inside
SPACER BAR COLOR	WHITE
IRONMONGERY	Brass
IRONMONGERY QTY.	2 No SASH PULLS+ 2 No SASH LIFTS
ADDITIONAL IRONMONGERY	1 No HOOK LOCKING Security Restrictors
COMMENTS	

Approval Sketches



Full Box Replacement

Wandsworth Sash Windows

Full Box Replacement

Ground Bay Area Right Window W-G-01

ADDRESS:130 Ardgowan Rd

Date:03.2016

REVISION 1

Scale:

Sheet:1-1