

Flexible plastic flue pipe

FLEXLINE

FLEXIBLE SYSTEM



**Flexline Smart solutions for every new
and renovation project**

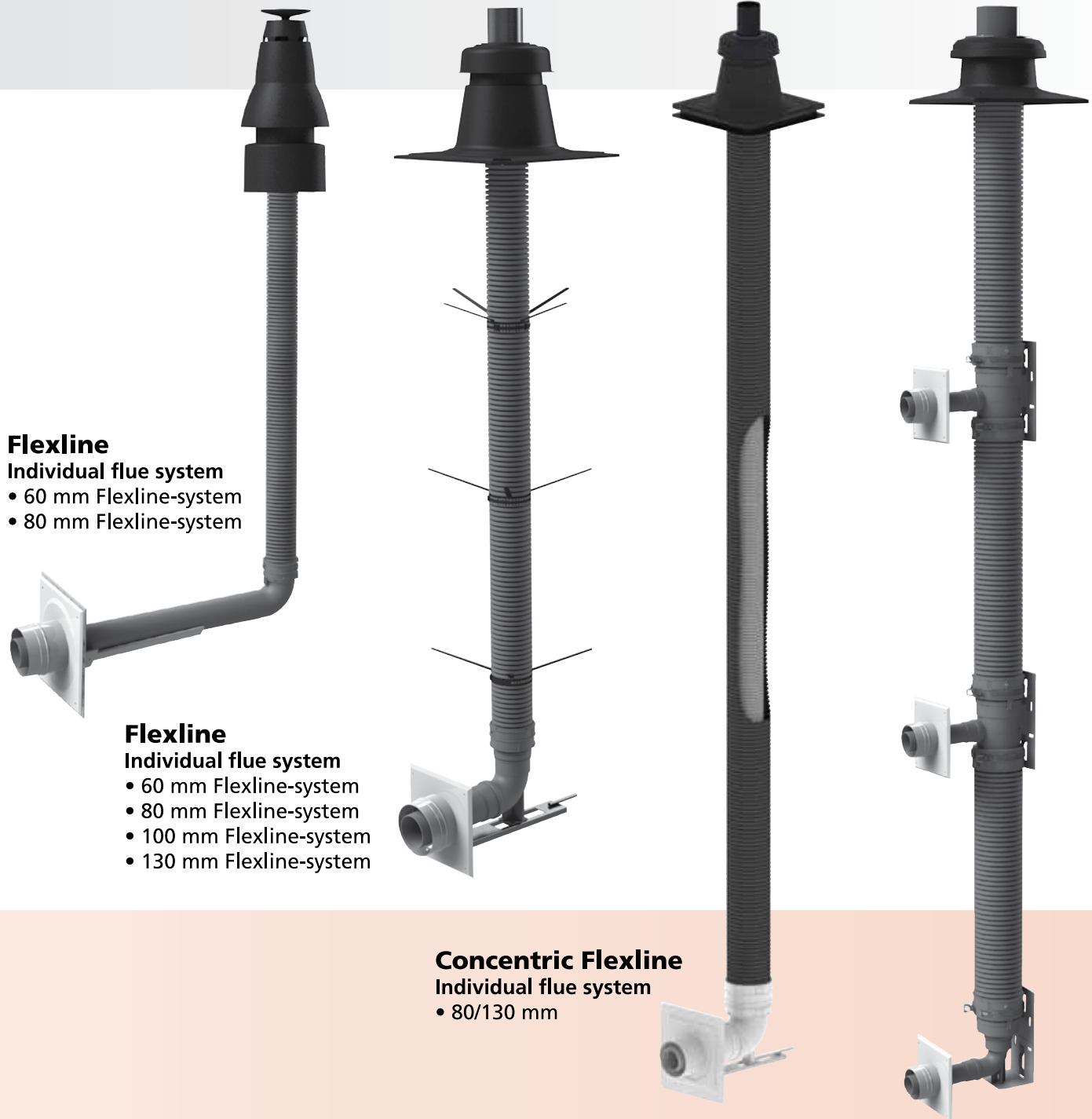
**POWER OF
ENGINEERING**



Flexline, Multi-Flexline and Concentric Flexline

The best solution for every new and renovation project

The Flexline-family is a complete system that will improve every renovation project. Take for example the Multi-Flexline-system. Its unparalleled simplicity is the perfect solution for numerous renovation projects where substantial elevations need to be bridged by means of a narrow shaft.



Flexline
Individual flue system
• 60 mm Flexline-system
• 80 mm Flexline-system

Flexline
Individual flue system
• 60 mm Flexline-system
• 80 mm Flexline-system
• 100 mm Flexline-system
• 130 mm Flexline-system

Concentric Flexline
Individual flue system
• 80/130 mm

Multi-Flexline
Shared flue system (60 mm branches)
• 100 mm Multi-Flexline-system:
for up to three or four floors
• 130 mm Multi-Flexline-system:
for up to five or six floors

Flexline, Multi-Flexline and Concentric Flexline

Five unique advantages

1 Double-walled, double security

In all Flexline-systems the flexible synthetic pipes are double-walled: this serves as an extra guarantee to ensure they are gas-proof. Flexline-systems by M&G are often used as chimney lining in renovation projects. Even if the outer ribs are damaged by a rough shaft, the system remains sealed.

Double-walled!



2 Smooth inner layer

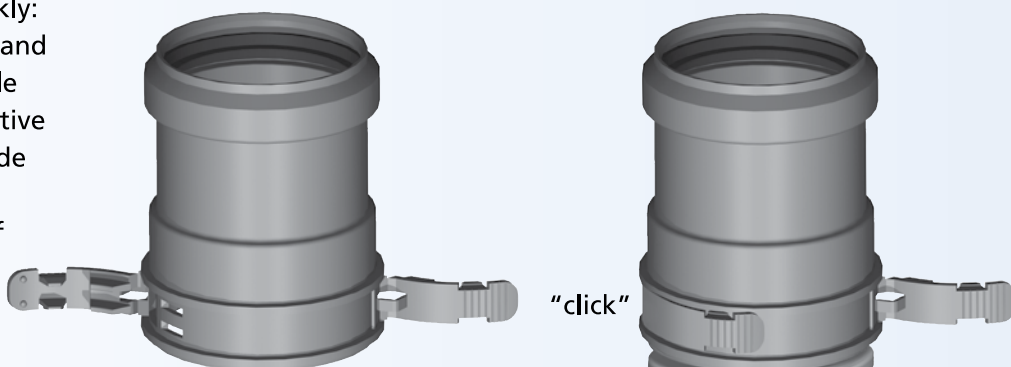
The double wall has another advantage. The smooth inner layer ensures an unimpaired flow of flue gases. The flow resistance is minimal.

3 No influence of condensation, extra long life span

The Flexline-material is exceptionally resistant to aggressive condensation. The smooth inner layer ensures an extra long life span: there are no ridges in which condensation can gather.

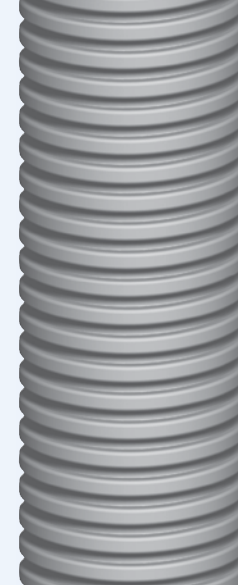
4 Smart 'click'-system, fast and perfect installation

A flex-pipe can be placed quickly: it is light-weight, very flexible and can handle an enormous tensile force. With the unique connective pieces, connections can be made super-fast. They can be placed without using tools because of a unique 'click'-system. Every connection is perfectly-sealed and is completely tension proof owing to the built-in pull relief.



5 From Ø 60 mm to Ø 130 mm

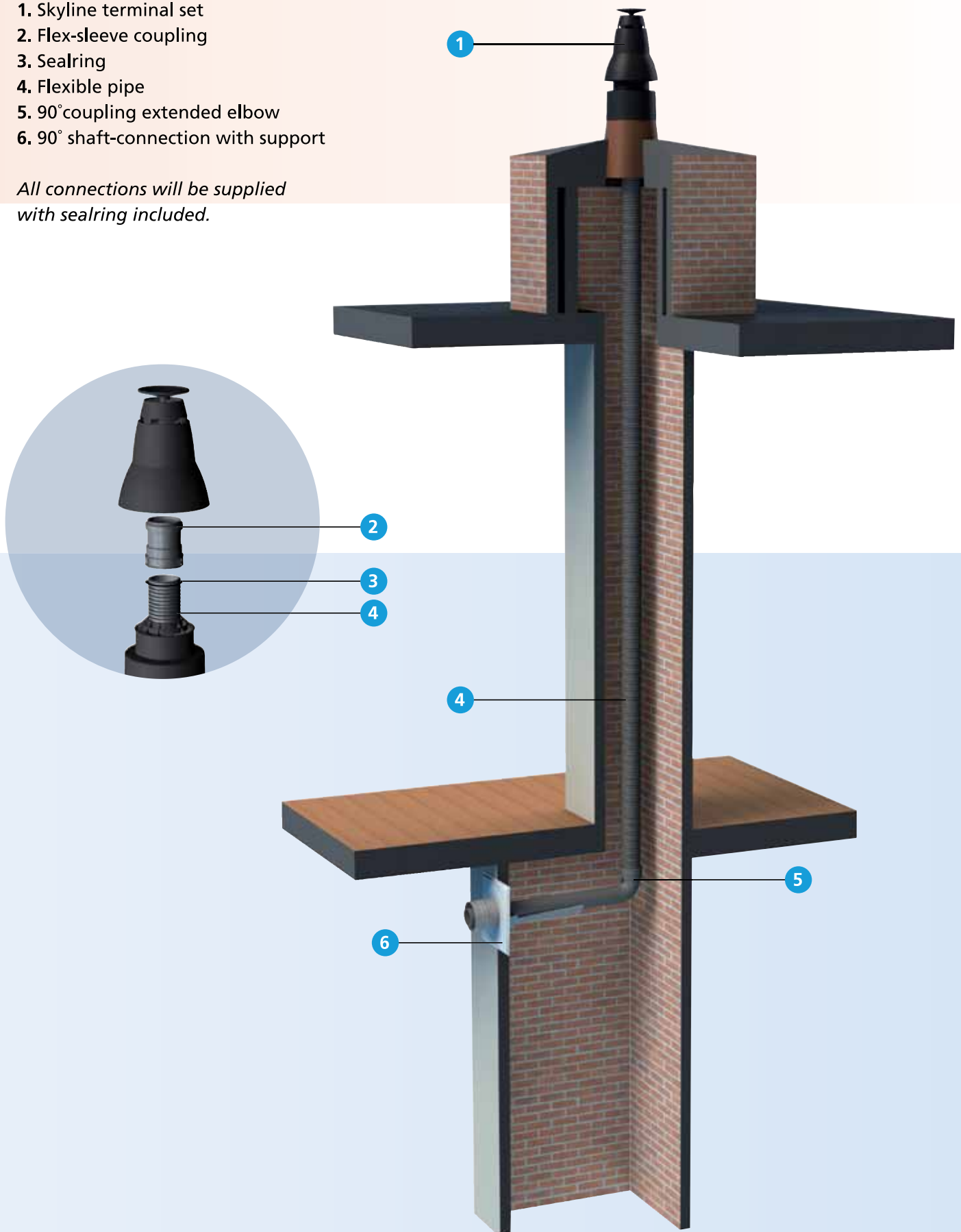
In the broad range of Flexline-systems you will find the ideal solution for every renovation project.



Flexline 60 and 80 mm: individual flue system

1. Skyline terminal set
2. Flex-sleeve coupling
3. Sealring
4. Flexible pipe
5. 90° coupling extended elbow
6. 90° shaft-connection with support

All connections will be supplied with sealring included.

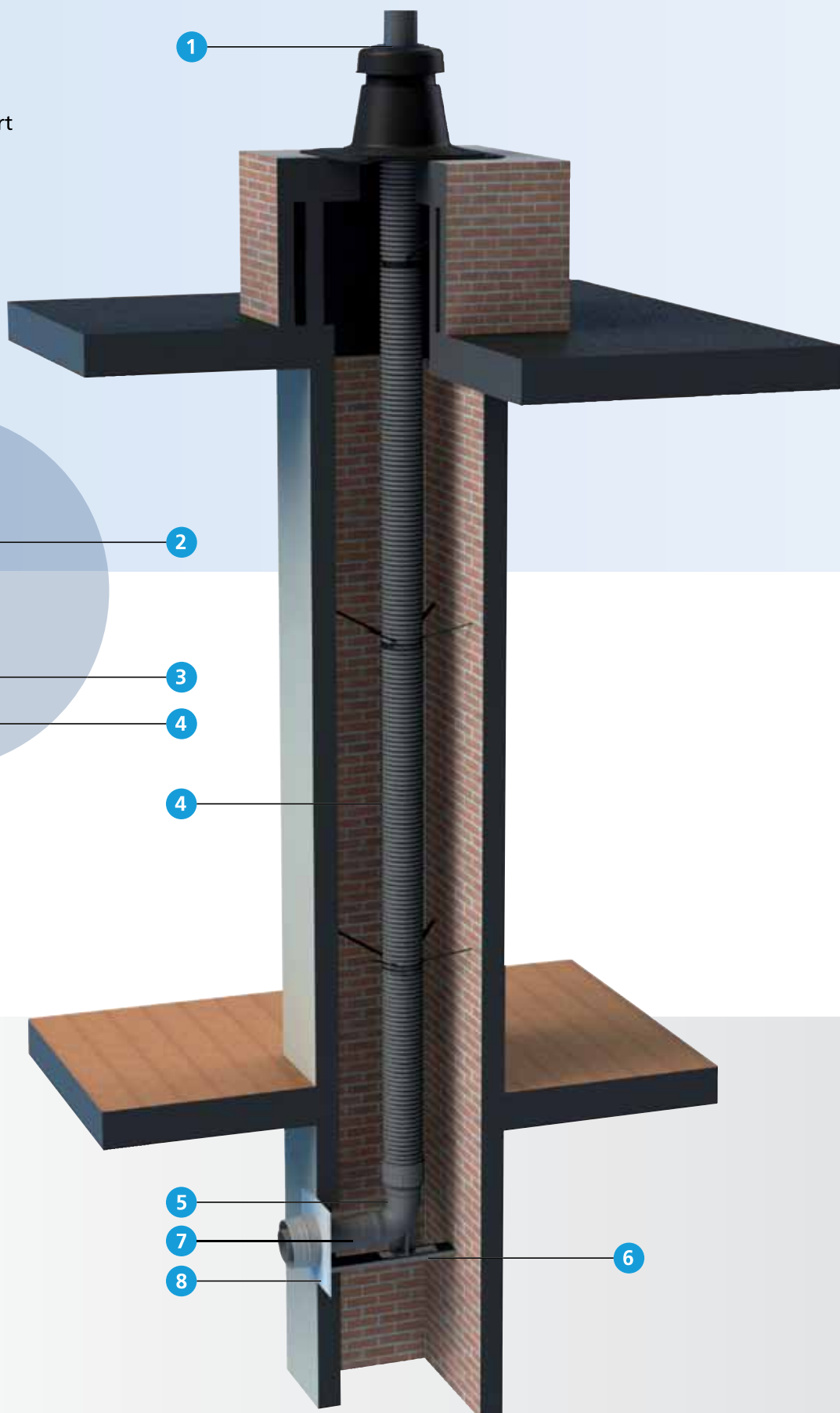
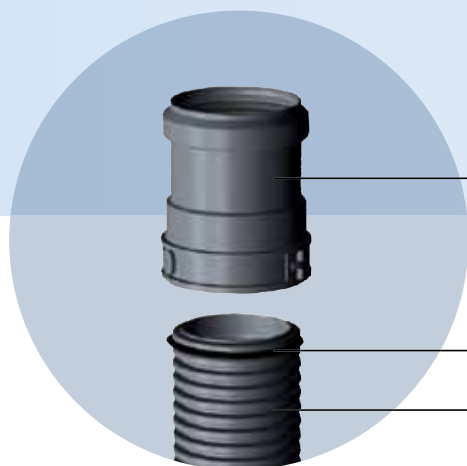


Flexline

Flexline 60, 80, 100 and 130 mm: individual flue system

1. Flex chimney cap
2. Flex-sleeve coupling
3. Sealing
4. Flexible pipe
5. 90° elbow with support
6. Chimney support
7. PP flue gas pipe
8. Shaft-connection

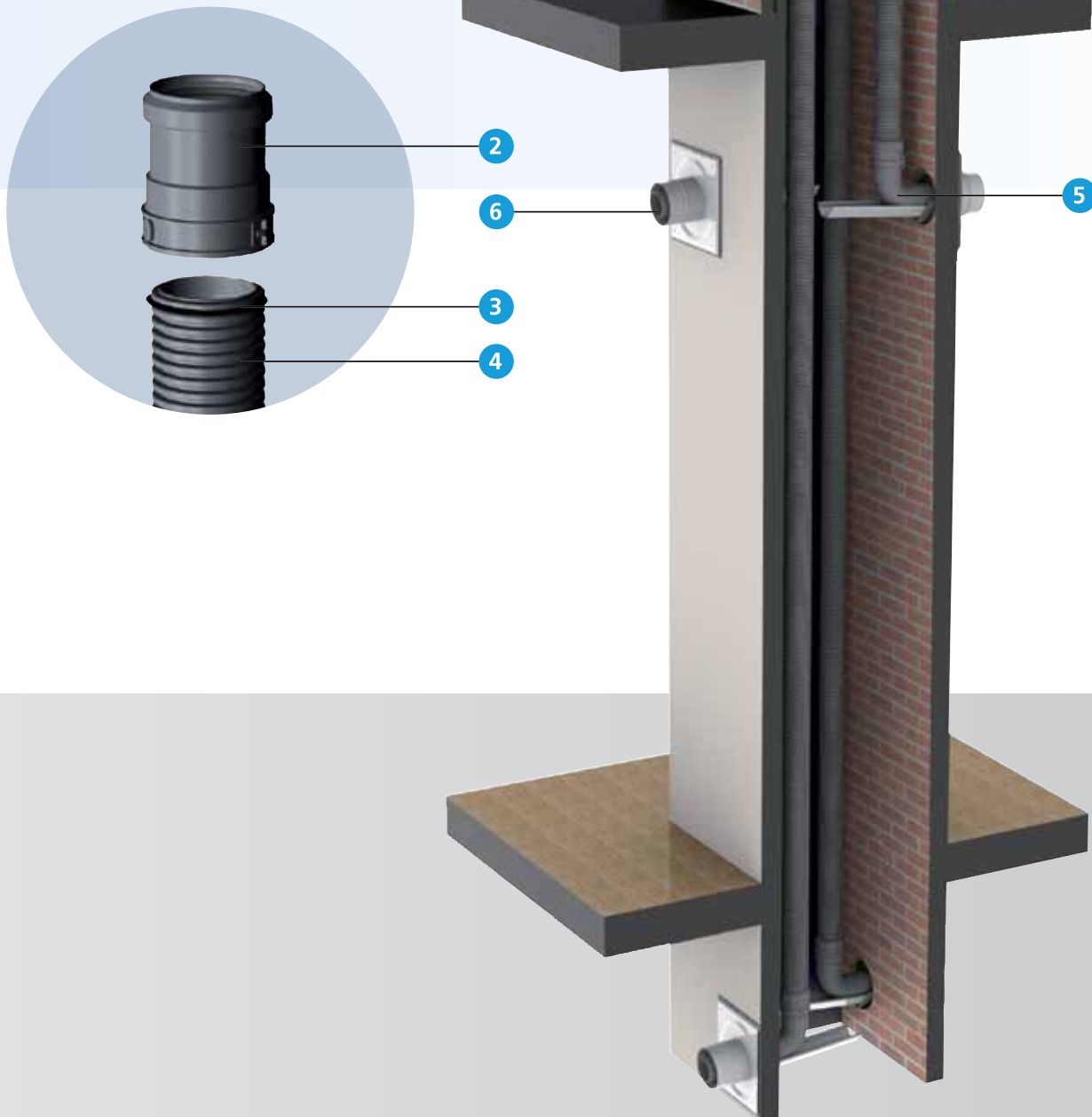
All connections will be supplied with sealring included.



Flexline 60 and 80 mm: individual flue system on a collective pre fabricated chimney

1. Custom made chimney with more than 1 connection
2. Flex-sleeve coupling
3. Sealing
4. Flexible pipe
5. 90° extended flue gas elbow
6. 60/100 concentric 90° shaft connection with support

All connections will be supplied with sealing included.

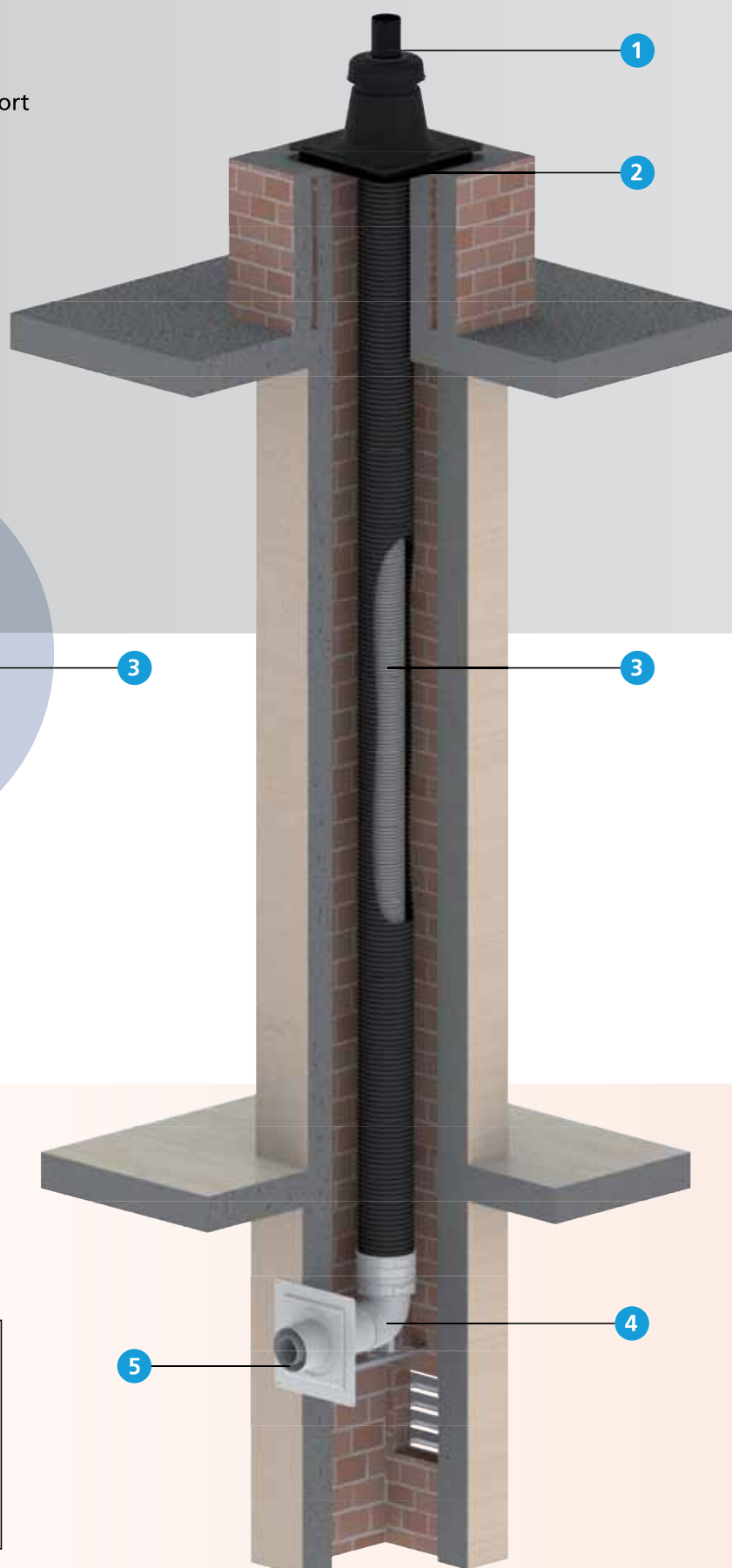
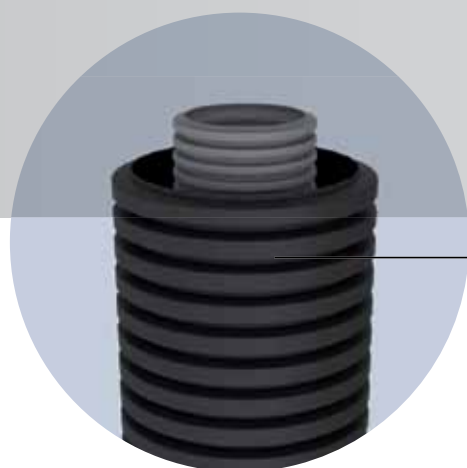


Concentric Flexline

Concentric Flexline 80/130 mm: individual flue system

1. Chimney cap + ventilation
2. Shaft ventilation
3. Concentric flexible pipe
4. Concentric elbow with support
5. Concentric shaft connection

All connections will be supplied with sealring included.



For use in an existing shaft that is not suitable for air intake due to:

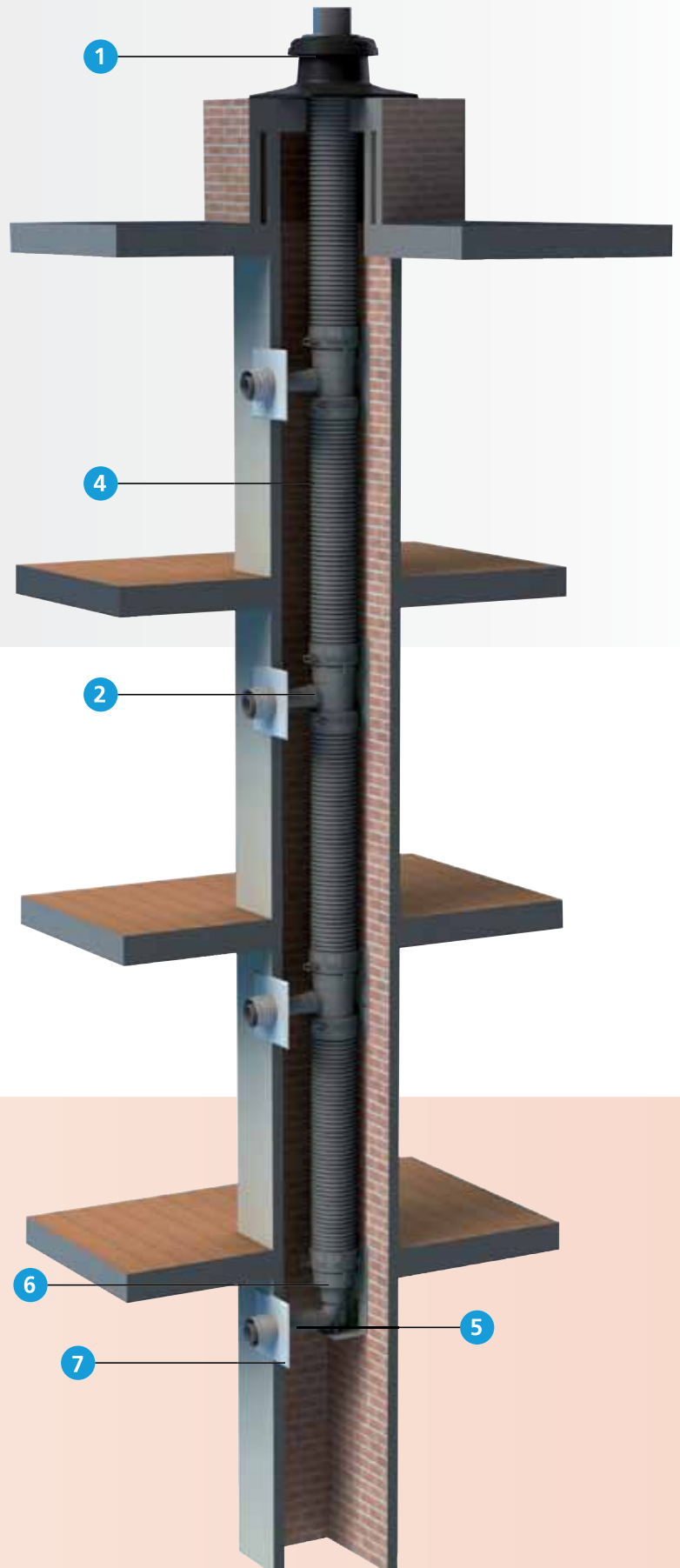
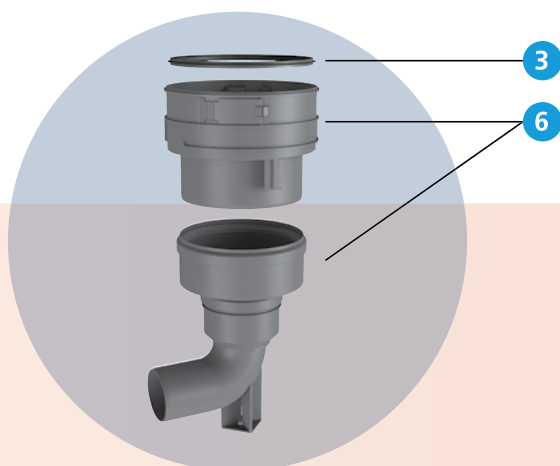
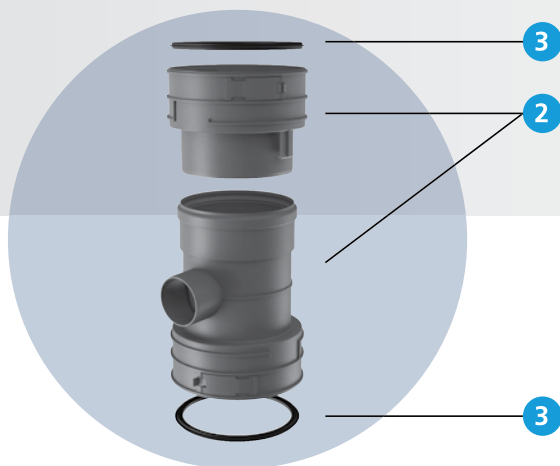
- air leakage
- loose parts
- dirt

Multi-Flexline

Multi-Flexline 100 and 130 mm: collective flue system

1. Flex chimney cap
2. T-piece connection
3. Sealing
4. Flexible pipe
5. 60 mm PP flue gas pipe
6. Bottom connection
7. Shaft-connection

All connections will be supplied with sealing included.



Multi-Flexline

Multi-Flexline: saves money, space and time

The unique 130 mm Multi-Flexline-system is usable in no less than six floors (depending on the type of high-efficiency boiler). It is easy to work with and leaves a great deal of motion space in the shaft. The simplicity of the system is unparalleled:

- The flexible tube is fastened to the back plate of the shaft on every floor using a T-piece. Fastening the tube between floors is unnecessary.
- A 60 mm PP flue pipe is inserted into the T-piece.
- The pipe passes through the wall and into a concentric shaft connection plate.
- From there, it will be connected concentrically to the condensing boiler.
- Because of the concentric connection, it is not necessary to connect the air inlet separately. This comes from the shaft.
- The T-piece is constructed in such a way that condensation can be drained through the condensing boiler in question. Therefore, no condensation drainage system with a siphon needs to be installed in the shaft, unlike in other flue systems. The system is maintenance-free.
- The shaft itself needs to be constructed according local building regulations.
- M&G concentric shaft connections meet size-resistance requirements. Therefore there is no need of a fire stop. This too contributes to the simplicity of the system.

Other information about Flexline, Multi-Flexline and Concentric Flexline

General

- Flexline-systems are suitable for use in gas and oil-fired condensing boilers.
- In most cases, the manufacturer of the boiler will supply additional information regarding the appropriate diameter and the maximum length of the flue pipe.
- Suitable with a maximum flue gas temperature of 120 °C.

Safe and environmentally-friendly materials

- The pipes are supplied in coils and can be shortened by the centimetre, in order to prevent unnecessary waste.
- Recyclable.
- Materials contains no toxic or carcinogenic materials of heavy metals

Quality standards

- CE and ULC certification.



Flexline, Multi-Flexline and Concentric Flexline

Flexline-systems: complete range

All Flexline-systems are easy to install onto existing standard materials. In this brochure you will find the Flexline-systems themselves, the corresponding chimney caps and the most important shaft connections.

Installing the flexible pipe

Dimensions of flexible pipe		
Nominal	Internal diameter	External diameter
60 mm	54	63
80 mm	81	98
100 mm	101	118
130 mm	130	147
80/130 mm	(80) 81, (130) 130	(80) 98, (130) 147

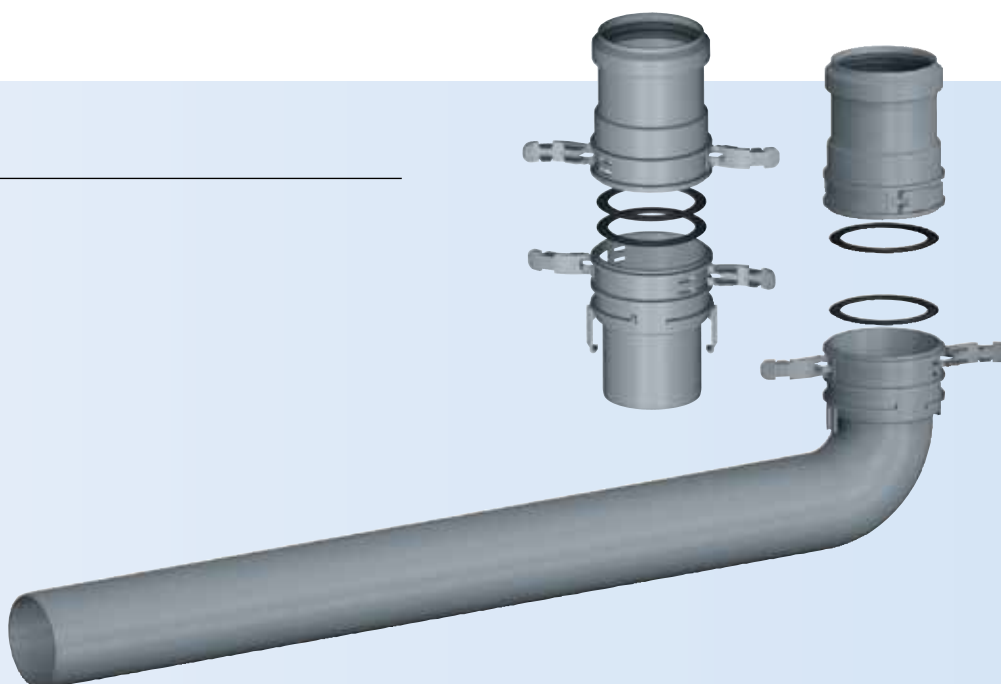
Flexible pipe

60 mm, length 25 metres
60 mm, length 50 metres
80 mm, length 10 metres
80 mm, length 25 metres
80 mm, length 50 metres
100 mm, length 10 metres
100 mm, length 25 metres
130 mm, length 30 metres
80/130 mm, length 10 metres
80/130 mm, length 12,5 metres
80/130 mm, length 15 metres



Couplings

60 mm key-flex/flex-sleeve set
60 mm 90°coupling set



Flexline, Multi-Flexline and Concentric Flexline

Installing the flexible pipe

Flex-flex coupling

60 mm
80 mm
100 mm
130 mm
80/130 mm



Pipe-flex coupling (below)

60 mm
80 mm
100 mm
130 mm
80/130 mm



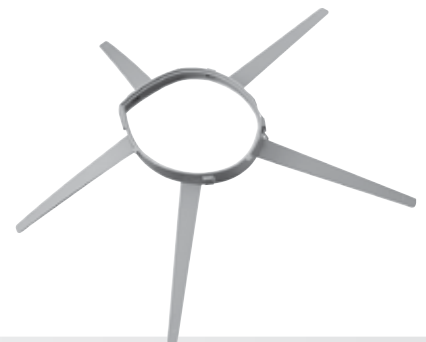
Flex-pipe coupling (above)

60 mm
80 mm
100 mm
130 mm
80/130 mm



PP spacer for flexible pipe

80 and/or 100 mm system
(to be placed every two metres
in the shaft, in 60 mm system)

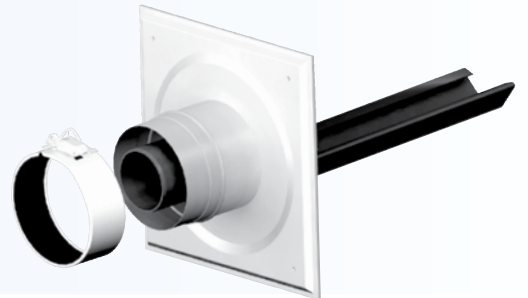


Installation set includes 15m nylon rope

60 mm
80 mm
100 mm
130 mm
80/130 mm



90° shaft connection with support



Shaft support



45° shaft connection



45° horizontal shaft connection



45° vertical shaft connection



Flex chimney connection

Skyline terminal set

Flue gas outlet and air intake,
60 and 80 mm



Mounting plate

For Skyline terminal set,
60 and 80 mm



Chimney cap with ventilation

60 mm
80 mm
100 mm
130 mm



Flexline kit

60 mm
80 mm
100 mm
130 mm



Installation
using unique
'click'-system:
no tools
needed!



90° flue gas elbow with support

60 mm
80 mm
100 mm
130 mm



90° flue gas elbow with support

60 mm extended version
80 mm extended version
100 mm extended version
130 mm extended version



90° 60-80 mm adapter elbow with support

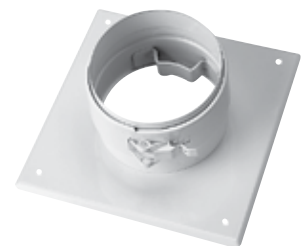


Chimney liner wall support



Shaft connection

60 mm system, 60/100 mm concentric
80 mm system, 80/125 mm concentric
100 mm system, 100/150 mm concentric



Single wall shaft cover

60 mm
80 mm
100 mm
130 mm



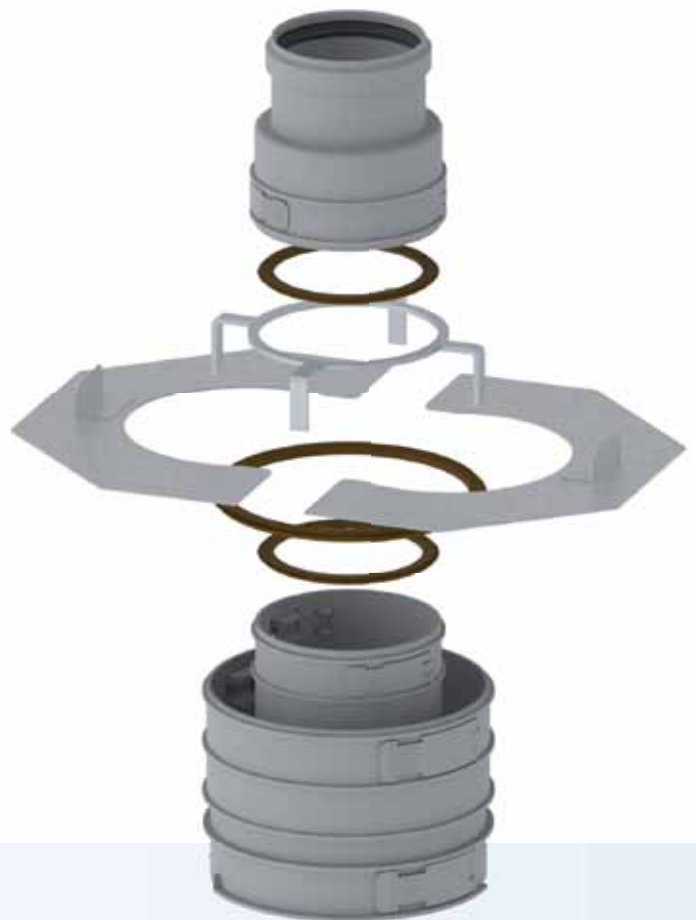
Concentric Flexline

Individual flue system 80/130 mm

Chimney ventilation plate



Concentric flex connection kit



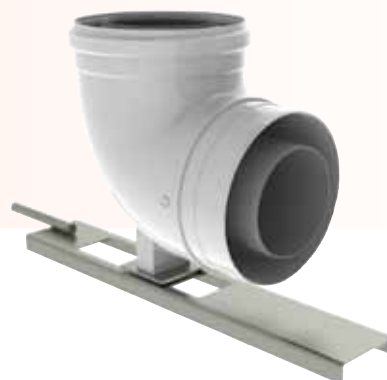
Concentric Flexline

Individual flue system 80/130 mm

Support elbow + chimney support

60/100 mm

80/125 mm



Expander

60/100 - 80/125 mm



Concentric flexpipe 80/130 mm

10 m

12,5 m

15 m



Multi-Flexline

Shared flue system 100 and 130 mm

T-piece connection, 60 mm branch to boiler

100 mm system

130 mm system



Bottom connection, 60 mm branch to boiler

100 mm system

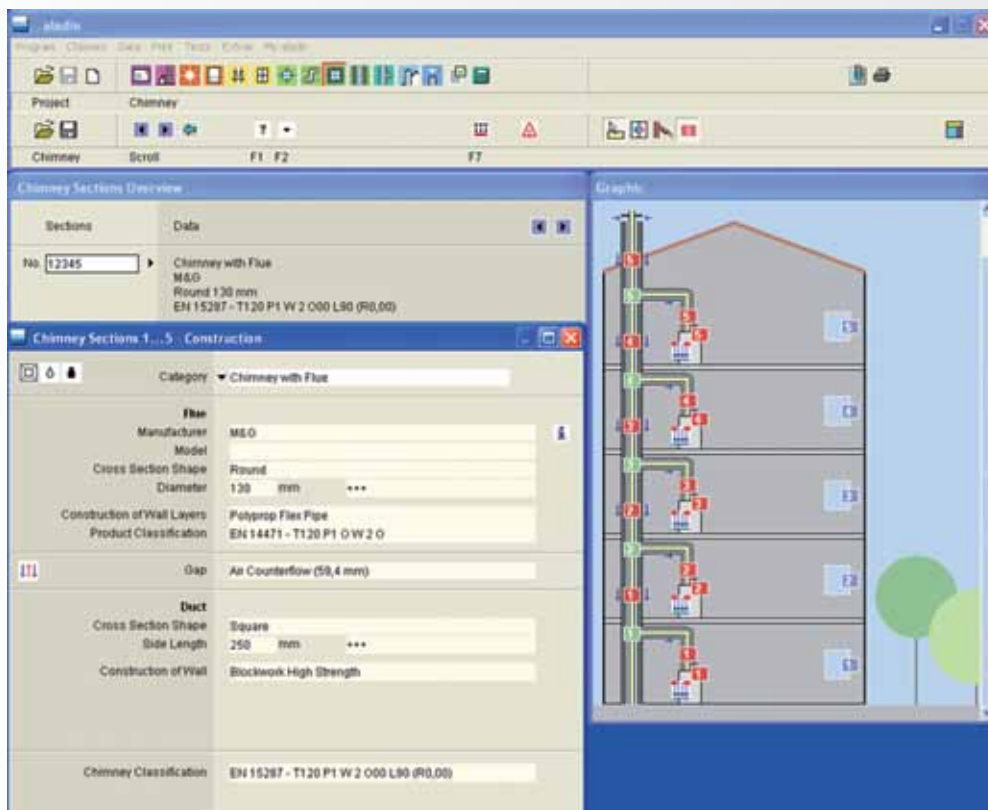
130 mm system



Calculation program

We can help you in calculating the correct flue system.

We have developed with Kesa a comprehensive calculating program based on EN 14483 standard. This software contains all the technical data of the flex flue components to calculate a complet flex flue system. A printout presents the results in a clear overview for certification purposes.



M&G Nederland B.V.

Duinkerkenstraat 27
9723 BP Groningen
The Netherlands

T: +31 (0) 50 313 99 44
F: +31 (0) 50 318 54 23
E: info-nl@mg-flues.com

M&G Deutschland GmbH

Rurstrasse 15a
41564 Kaarst
Germany

T: +49 (0) 2131 512900
F: +49 (0) 2131 5129029
E: info-de@mg-flues.com

M&G Flues UK Ltd

2 The Oaks
Mill Farm Courtyard
Beachampton
MK19 6DS
United Kingdom

T: +44 (0) 1908 569887
F: +44 (0) 1908 571206
E: info-uk@mg-flues.com

M&G Italia SPA

Via Campagnola 6
36040 Orgiano (VI)
Italy

T: +39 0444 874808
F: +39 0444 874314
E: info-it@mg-flues.com

www.mg-flues.com



**POWER OF
ENGINEERING**