



Electrical Wiring
Accessories



Acknowledged as one the leading brands in the UK and in British Standard markets around the world, Crabtree offers designers & specifiers a wide range of quality products that caters for a vast array of applications including Commerce, Offices, Education, Hospitals & Health, Hotels & Leisure facilities, in fact wherever quality products are required.

Crabtree factories operate a series of internationally recognized standards including ISO9001 for quality, OHSAS 18001 for Health & Safety and ISO14001 for Environmental Management. The UK manufacturing locations are also home to the product management, engineering, design, quality & logistics teams.

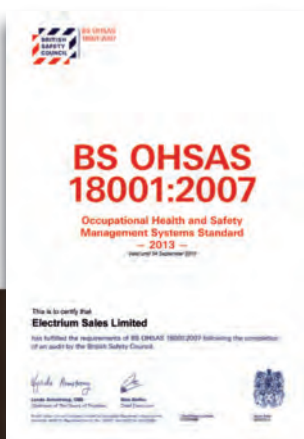
Crabtree also operates to recognised standards for product safety & sustainability, Crabtree wiring accessories are ROHS and REACH compliant often in excess of the UK market standards.

Crabtrees WEEE compliance process and recycling scheme ensures that the end of product life circumstances are catered for in line with UK & EU Legislation.



Recycled materials are used in product packaging, and declared into a recycling scheme locally to control environmental impacts and assure that the maximum level of recycling of materials and use of recycled materials is achieved.

As a Siemens company Crabtree also operates a zero harm scheme within all of its manufacturing, logistics & sales facilities.



In the UK Crabtree operates two UKAS accredited Laboratories that carry out R&D and compliance testing on all Crabtree products, these highly accredited facilities ensure that safety, quality & reliability remain consistent with UK & EU legislation regulations & Siemens internal standards, policies and practices.

Crabtree products are all designed manufactured and tested in accordance with the recognised product standards, and backed by standard & extended guarantees.

Crabtree continues to manufacture Wiring Accessories and Circuit Protection products in the UK.



1. Cannock Commercial Headquarters

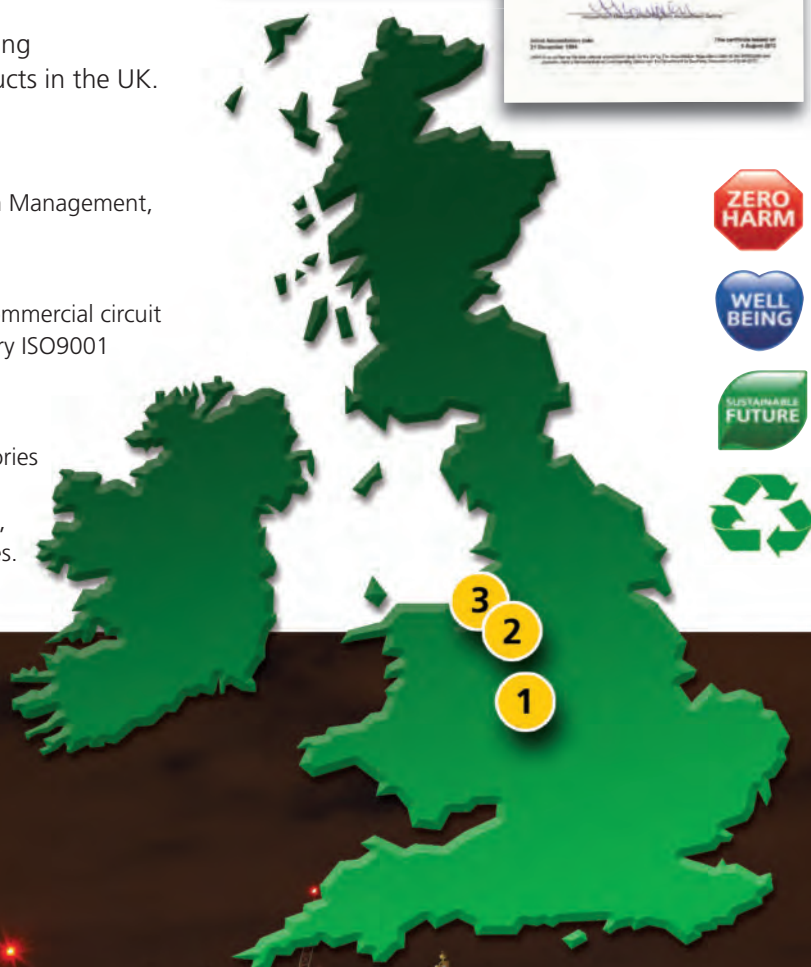
Home to Sales & Marketing, Supply Chain Management, Finance & Customer Service.

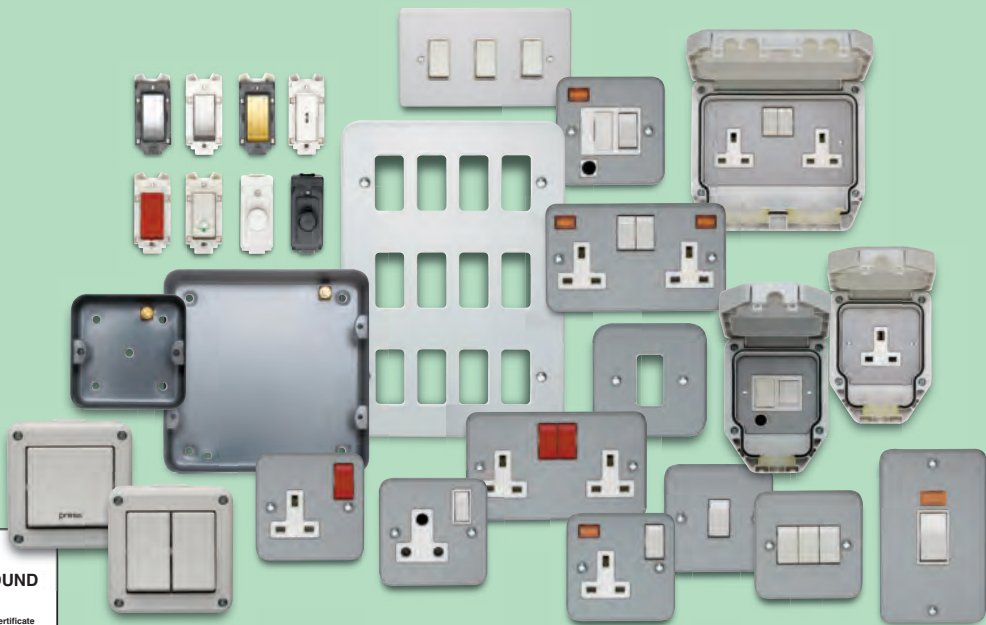
2. Wythenshawe

Manufacturing location for domestic & commercial circuit protection, with R&D, UKAS test laboratory ISO9001 production facilities.

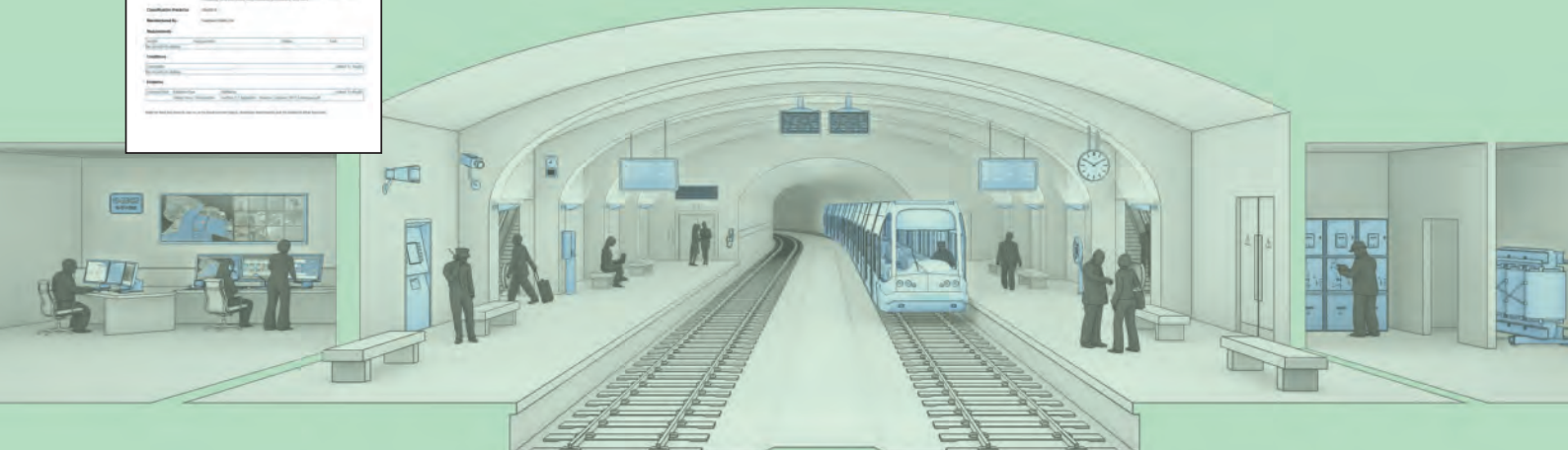
3. Hindley Green

Manufacturing location for wiring accessories & domestic circuit protection with R&D, UKAS test laboratory ISO9001 production, warehouse, distribution & logistics facilities.





Selected Crabtree Wiring Accessories are approved for use by London Underground. For more information see our dedicated Rail & Transport Applications catalogue.



Contents

CAPITAL MOULDED WALL MOUNT	1
MOULDED CEILING MOUNT	22
PVC TRUNKING	30
PART M	35
METAL PLATE	39
PLATINUM	59
METALCLAD	88
WEATHERSEAL	93
ROCKERGRID	97
SERVICE ITEMS	105
TECHNICAL	108
SPECIFICATION	121
DIMENSIONS	139

All Crabtree products comply with the applicable British Standard specification and should be installed by suitably qualified personnel in accordance with the requirements of relevant legislation, regulations (including IEE Wiring Regulations) and the accepted practice in the industry.

The products listed or described in this publication may be protected by one or more patents, and/or registered designs and/or applications. A full list of patents registered designs and applications may be obtained from the company secretary of Electrium Limited.



water heater

Crabtree

cooker

FUSE

fridge

CAPITAL

POWER, CONTROL & LIGHTING

Capital power, control & lighting accessories are fully design co-ordinated to offer consistent styling and inherent safety features across a broad range of applications.

The range of socket outlets, fused connection units and switches is complemented by products which cater for specific applications such as cooker control units, shaver units, fan control switches and shower control switches.



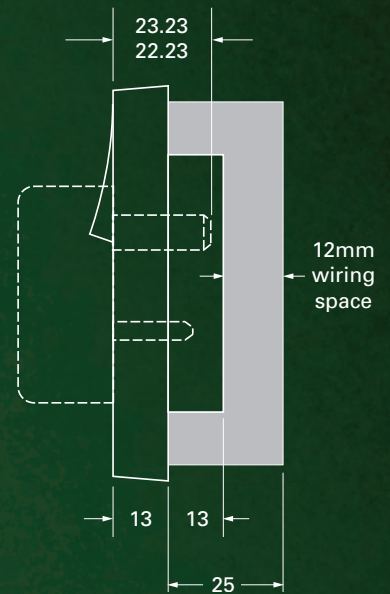
Wide concave rockers are easy to operate.



Two earth terminals are fitted as standard to the Switched Single and Twin Socket.



Unique labyrinth switch design minimises visible arc flash and prevents front access to live parts. Positive drive switch action prevents balancing between the 'on' and 'off' position and gives reliable indication of the contact position.

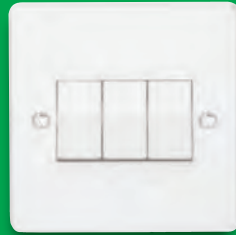


British Standard 1363-1:1995 + A4:2012 state the Earth Pin must be 23.23 to 22.23 in length. When using a Capital Moulded product with a front plate thickness of 13mm this gives plenty of cable space behind the socket when using a 25mm back box.

When using a Flat or Slim plate the cable capacity is severely reduced within the back box.



4070 4171
4170 4175



4173



4176

10AX PLATE SWITCHES

BS EN 60669-1	PACK QTY	
1 gang 1 way SP	10	4070
1 gang 2 way SP	10	4170
1 gang 1 way DP	10	4171
1 gang intermediate	10	4175
2 gang 2 way SP	10	4172
3 gang 2 way SP	10	4173
4 gang 2 way SP	5	4174
6 gang 2 way SP	5	4176



4170/GRY



4172/GRY

PART M 10AX PLATE SWITCHES

BS EN 60669-1	PACK QTY	
10AX 1 Gang 2 way SP	10	4170/GRY
10AX 1 Gang Intermediate	10	4175/GRY
10AX 2 Gang 2 way SP	10	4172/GRY



4096/G/PE

10A RETRACTIVE SWITCHES

BS EN 60669-1	PACK QTY	
1 gang 1 way SP marked with bell symbol	10	4096/B
1 gang 2 way SP marked with bell symbol	10	4096/2WB
1 gang 2 way SP marked 'press'	10	4096/P
1 gang 2 way SP marked 'press' with Red Rocker	10	4096/P/RD
1 gang 2 way SP 'No markings'	10	4096/NM
1 gang 2 way SP marked 'press to exit' in Green	10	4096/G/PE



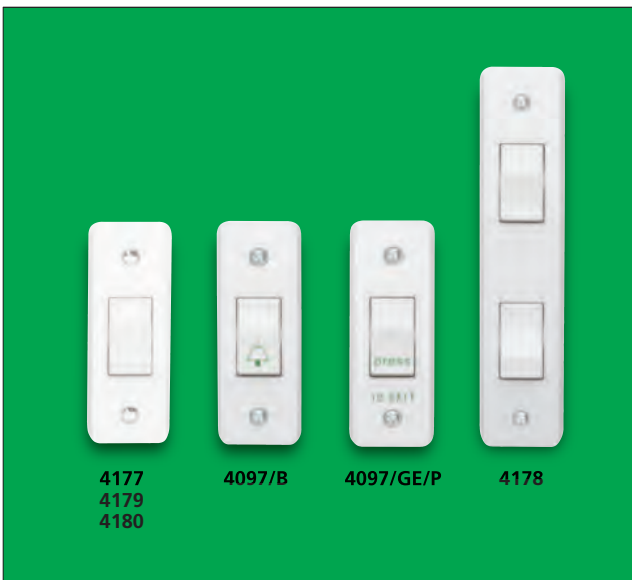
10AX 'CORINTHIAN' PLATE SWITCHES

BS EN 60669-1	PACK QTY	
10AX 1 gang 2 way SP	10	5170
10AX 2 gang 2 way SP	10	5172
10AX 3 gang 2 way SP	10	5173
20AX 1 gang intermediate	10	5175
10A 1 gang retractive marked 'Press'	10	5177
20AX 1 gang DP	10	5176



PART M 10AX 'CORINTHIAN' PLATE SWITCH

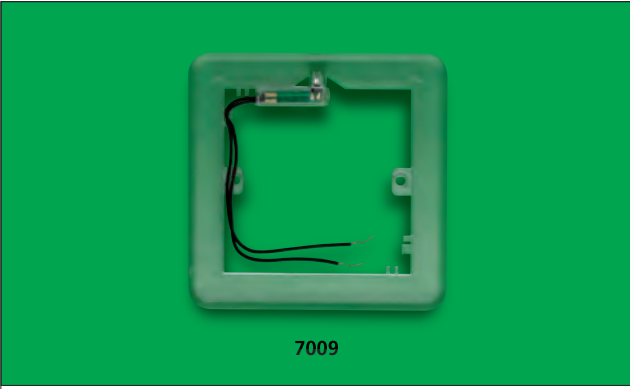
BS EN 60669-1	PACK QTY	
10AX 1 Gang 2 way SP	10	5170/GRY
10AX 2 Gang 2 way SP	10	5172/GRY
10AX 3 Gang 2 way SP	10	5173/GRY
20AX 1 Gang Intermediate	10	5175/GRY
10A 1 Gang Retractive marked 'Press'	10	5177/GRY



10AX ARCHITRAVE SWITCHES

BS EN 60669-1	PACK QTY	
1 gang retractive SP marked with bell symbol	10	4097/B
1 gang retractive SP marked 'press'	10	4097/P
1 gang retractive SP marked 'press to exit' in green	10	4097/GE/P
1 gang 2 way SP	10	4177
2 gang 2 way SP	10	4178
1 gang 1 way DP	10	4179
1 gang intermediate	10	4180

For dimensions please see page 140-141
 For technical information please see page 109

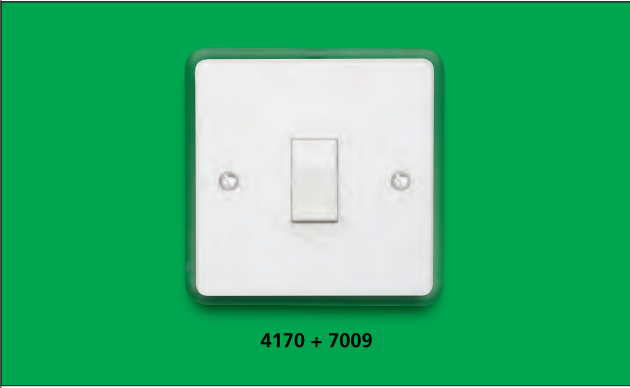


7009

SEEKLIGHT

Seeklight will only illuminate when light control is off on a single pole circuit. On a Double pole circuit the Seeklight will be permanently on. The light is an LED type, which has had a circuit board designed to reduce the pulse effect and give a constant light source. The Seeklight requires a filament type bulb to operate correctly.

	PACK QTY	
SEEKLIGHT	10	7009



4170 + 7009

CAPITAL MOULDED SWITCHES

The above Seeklight will fit the following plates:

1 gang 1 way 10AX SP	4070
1 gang 2 way 10AX SP	4170
1 gang 1 way 10AX DP	4171
2 gang 2 way 10AX SP	4172
3 gang 2 way 10AX SP	4173
1 gang Intermediate	4175



5170 + 7009

CAPITAL CORINTHIAN SWITCHES

The above Seeklight will fit the following plates:

1 gang 2 way 10AX SP	5170
2 gang 2 way 10AX SP	5172
3 gang 2 way 10AX SP	5173
1 gang Intermediate 20AX	5175
1 gang 2 way 10AX DP	5176
1 gang retractive 10A	5177



Rockergrid switch 1G + 7009

ROCKERGRID MODULAR SYSTEM

The above Seeklight will fit the following plates:

1 gang grid front plate moulded	5571
2 gang grid front plate moulded	5572

For further Rockergrid items please see page 98-104





4130/PU

4132/PU

DIMMER SWITCHES 250W

BS EN 55014-1 BS EN 60669-2-1

ROTARY MODULES	PACK QTY	
1 gang 2 way 250W - Push on/off	10	4130/PU
2 gang 2 way 250W - Push on/off	10	4132/PU



4190/PU

4192/PU

DIMMER SWITCHES 400W

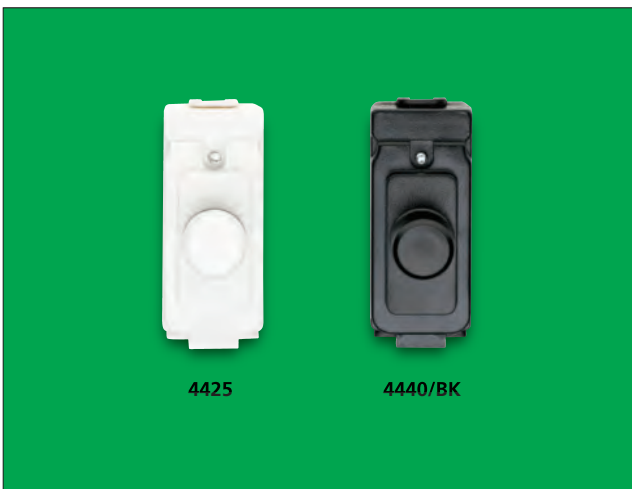
BS EN 55014-1 BS EN 60669-2-1

ROTARY MODULES	PACK QTY	
1 gang 2 way 400W - Push on/off	10	4190/PU
2 gang 2 way 400W - Push on/off	10	4192/PU

DIMMER SWITCHES - LED-5-100W

BS EN 60669-2-1 BS EN 55015 BS EN 61547 BS EN 6100-3-2
BS EN 6100-3-3

ROTARY MODULES	PACK QTY	
1 gang 2 way 5-100W - Push on/off	5	4130/PULED
2 gang 2 way 5-100W - Push on/off	5	4132/PULED



4425

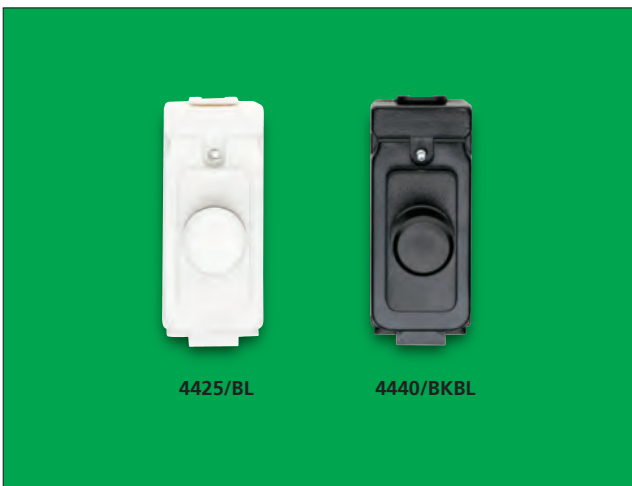
4440/BK

GRID DIMMERS

BS EN 55014-1 BS EN 60669-2-1

	PACK QTY	
250W White	10	4425
250W Black	10	4425/BK
400W White	10	4440
400W Black	10	4440/BK

For further grid accessories please see page 98-104



4425/BL

4440/BKBL

ILLUMINATED GRID DIMMERS

BS EN 55014-1 BS EN 60669-2-1

	PACK QTY	
250W White	10	4425/BL
250W Black	10	4425/BKBL
400W White	10	4440/BL
400W Black	10	4440/BKBL

For further grid accessories please see page 98-104

For dimensions please see page 140

For technical information please see page 109

For technical information on LED dimmers please contact technical services



4304/3D

13A 1G SWITCHED SOCKET OUTLETS

BS 1363-2	PACK QTY
1 gang SP	10 4304
1 gang DP	10 4304/D
1 gang DP fitted with neon indicator	10 4304/3D



4304/D/CE

13A 1G CLEAN EARTH SWITCHED SOCKET OUTLETS

BS 1363-2	PACK QTY
1 gang DP	10 4304/D/CE

For technical information on clean earth terminals please see page 128



AM4304/D/GRN

13A 1G SWITCHED SOCKET OUTLETS

BS 1363-2	PACK QTY
1 gang DP fitted with Green Rocker	10 AM4304/D/GRN



4304/3D/GRY

PART M 13A 1G SWITCHED SOCKET OUTLETS

BS 1363-2	PACK QTY
1 Gang DP	10 4304/D/GRY
1 Gang DP fitted with neon indicator	10 4304/3D/GRY

For technical information on Part M please see page 125-126



4304/WH/RD



4304/RED

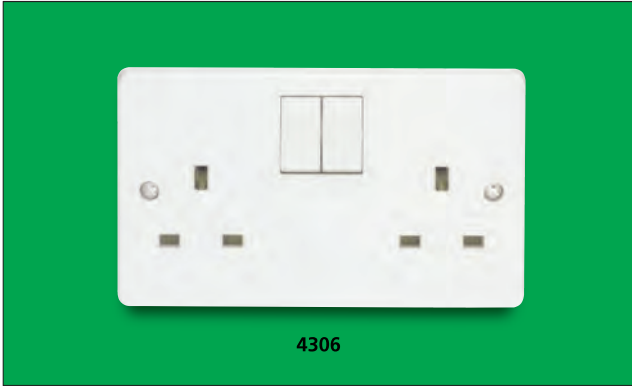
13A 1G SWITCHED SOCKET OUTLET WITH RED ROCKER

BS 1363-2	PACK QTY
1 gang DP	10 4304/WH/RD

13A 1G SWITCHED SOCKET OUTLET WITH RED ROCKER AND RED FRONT PLATE

BS 1363-2	PACK QTY
1 gang DP	10 4304/RED

For dimensions please see page 140
For technical information please see page 110


13A 2G SWITCHED SOCKET OUTLETS

BS 1363-2	PACK QTY	
2 gang SP	50	4306
2 gang DP	50	4306/D
2 gang DP fitted with neon indicator	50	4306/3D


13A 2G CLEAN EARTH SWITCHED SOCKET OUTLET

BS 1363-2	PACK QTY	
2 gang DP	5	4306/D/CE

For technical information on clean earth terminals please see page 128


13A 2G SWITCHED SOCKET OUTLET WITH RED ROCKER

BS 1363-2	PACK QTY	
2 gang DP	5	4306/WH/RD

13A 2G SWITCHED SOCKET OUTLET WITH RED ROCKER AND RED FRONT PLATE

BS 1363-2	PACK QTY	
2 gang DP	5	4306/RED



4307

13A 2G SWITCHED SOCKET OUTBOARD ROCKERS

BS 1363-2	PACK QTY
2 gang DP outboard rockers	10 4307
2 gang DP outboard rockers with neon indicator	10 4307/3

13A 2G CLEAN EARTH SWITCHED SOCKET OUTLETS

BS 1363-2	PACK QTY
2 gang DP clean earth outboard rockers	10 4307/D/CE

For technical information on clean earth terminals please see page 128



4307/3/GRY

PART M 13A 2G SWITCHED SOCKET OUTLETS

BS 1363-2	PACK QTY
2 gang DP outboard rockers	10 4307/GRY
2 gang DP outboard rockers with neon indicator	10 4307/3/GRY

For technical information on Part M please see page 125-126



4307/RD

13A 2G SWITCHED SOCKET OUTBOARD RED ROCKERS

BS 1363-2	PACK QTY
2 gang DP outboard rockers	10 4307/RD

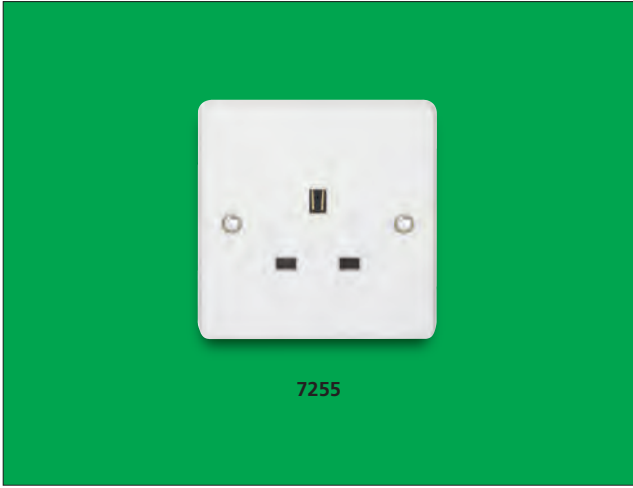


4307/DCE/BLUE

13A 2G MEIGaN SWITCHED SOCKET OUTLETS

BS 1363-2	PACK QTY
2 gang DP clean earth	10 4307/DCE/BLUE

For technical information on MEIGaN & clean earth terminals please see page 128



7255

13A 1G UNSWITCHED SOCKET OUTLETS

BS 1363-2	PACK QTY
1 gang unswitched	10 7255



7257/TE

13A 2G UNSWITCHED SOCKET OUTLETS

BS 1363-2	PACK QTY
2 gang unswitched	5 7257

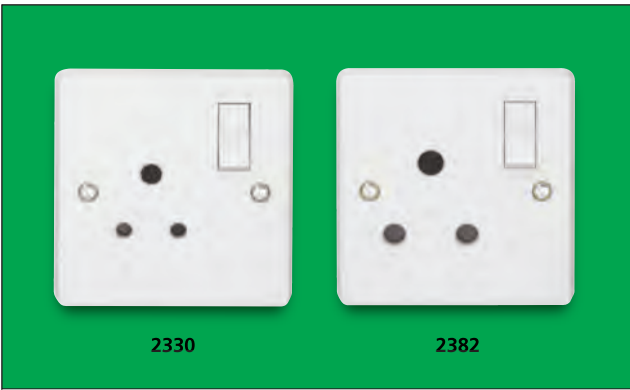


7257/CE/BLUE

13A 2G MEIGaN UNSWITCHED SOCKET OUTLETS

BS 1363-2	PACK QTY
2 gang clean earth	10 7257/CE/BLUE

For technical information on MEIGaN & clean earth terminals please see page 128



5A, 15A 1G SWITCHED SOCKET OUTLETS

BS 546	PACK QTY
5A Shuttered SP	10 2330
15A Shuttered SP	10 2382



2A, 5A 1G SOCKET OUTLETS

BS 546 WHERE APPLICABLE	PACK QTY
2A Unswitched shuttered	10 7046
5A Unswitched shuttered	10 7047



15A 125V 2G AMERICAN STANDARD SOCKET OUTLETS

NEMA CONFIGURATION 5-15	PACK QTY
2 gang Horizontal	5 7062



13A FUSED RESILIENT PLUGS

BS 1363-1	PACK QTY
Fused at 13A - White	10 7222/WH

13A NON-INTERCHANGEABLE PLUGS

BS 1363-1 WHERE APPLICABLE	PACK QTY
Fused at 13A - White	10 13NP



2A, 5A, 15A PLUGS

BS 546	PACK QTY
2A	10 7011
5A	10 7111
15A	10 7211

For dimensions please see page 140
For technical information please see page 110


13A SWITCHED FUSED CONNECTION UNITS

BS 1363-4	PACK QTY
DP Switched	10 4827
DP Switched with neon indicator	10 4827/3


PART M 13A SWITCHED FUSED CONNECTION UNITS

BS 1363-4	PACK QTY
DP Switched	10 4827/GRY
DP Switched with neon indicator	10 4827/3/GRY

For technical information on Part M please see page 125-126


13A SWITCHED FUSED CONNECTION UNIT WITH RED ROCKER

BS 1363-4	PACK QTY
DP Switched	10 4827/RD

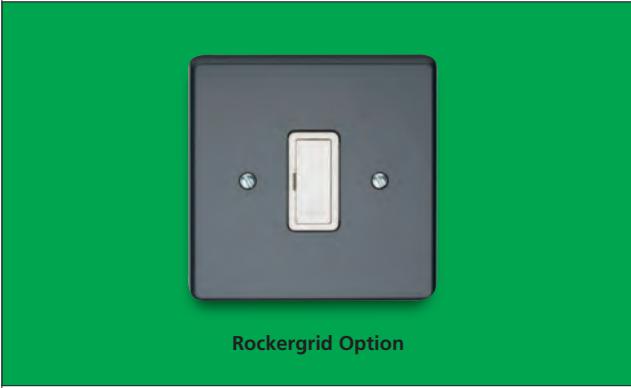

13A SWITCHED FUSED CONNECTION UNIT WITH RED ROCKER AND RED FRONT PLATE

BS 1363-4	PACK QTY
DP Switched	10 4827/RED



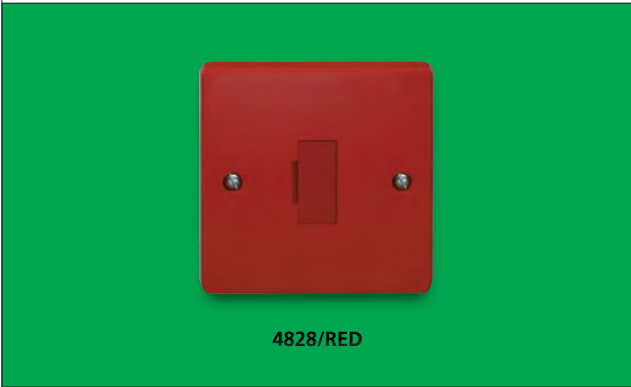
13A UNSWITCHED FUSED CONNECTION UNITS

BS 1363-4	PACK QTY	
Unswitched	10	4828
Unswitched with neon indicator	10	4828/3



PART M 13A UNSWITCHED FUSED CONNECTION UNITS

BS 1363-4	PACK QTY	
Using Rockergrid	- Grid Plate	5571/GRY
	- Grid Yoke	6901
	- Fuse Unit	4436



13A UNSWITCHED FUSED CONNECTION UNIT WITH RED FRONT PLATE

BS 1363-4	PACK QTY	
Unswitched	10	4828/RED



3A CARD SWITCH

BS 5733	PACK QTY
3A Card Switch	5 4018

For technical information please see page 111



6A THREE POLE CONTROL SWITCHES

BS EN 60669-1 BS EN 60947-3	PACK QTY
6A Three pole isolating switch marked with isolator symbol	5 4017
6A Three pole isolating switch marked with isolator and fan symbol	5 4017/1

For technical information please see page 112



20A DP CONTROL SWITCHES

BS EN 60669-1	PACK QTY
20A DP Control Switch	10 4015
20A DP Control Switch fitted with neon indicator	10 4015/3
20A DP Control Switch fitted with neon indicator and marked 'water heater'	10 4015/31

For technical information please see page 112



32A DP CONTROL SWITCH

BS EN 60669-1	PACK QTY
32A DP Control Switch fitted with neon indicator	10 4013/3

PART M 32A DP CONTROL SWITCH

32A DP Control Switch fitted with neon indicator	10 4013/3/GRY
--	----------------------

For technical information please see page 112



45A DP CONTROL SWITCHES

BS EN 60669-1	PACK QTY
45A DP Control Switch	5 4016
45A DP Control Switch fitted with neon indicator	5 4016/3

For technical information please see page 113

For dimensions please see page 140



4521/31

45A DP 'SLIM LINE' COOKER CONTROL UNITS

BS 4177 & BS 1363-2	PACK QTY
45A DP main switch and 13A switch socket outlet. Faceplate marked 'cooker'	1 4521/1
45A DP main switch and 13A switch socket with neon indicators. Faceplate marked 'cooker'	1 4521/31

For technical information please see page 113



4520/31

45A DP COOKER CONTROL UNITS

BS 4177 & BS 1363-2	PACK QTY
45A DP main switch and 13A switch socket outlet. Faceplate marked 'cooker'	1 4520/1
45A DP main switch and 13A switch socket with neon indicators. Faceplate marked 'cooker'	1 4520/31

For technical information please see page 113

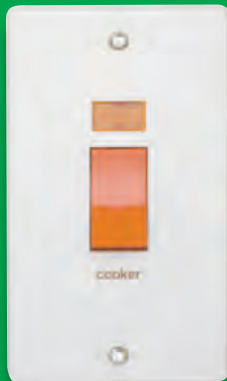


4523/3

50A DP COOKER CONTROL UNITS

BS EN 60669-1	PACK QTY
50A DP Control Switch marked 'cooker'	1 4523
50A DP Control Switch marked 'cooker' and fitted with neon indicator	1 4523/3
Blank Faceplate	1 4211/BLANK

For technical information please see page 113



4500/31

50A DP CONTROL SWITCHES

BS EN 60669-1	PACK QTY
50A DP Control Switch	5 4500
50A DP Control Switch marked 'cooker'	5 4500/1
50A DP Control Switch fitted with neon indicator	5 4500/3
50A DP Control Switch marked 'cooker' and fitted with neon indicator	5 4500/31

For technical information please see page 113



4506
4507



4075

45A CABLE OUTLETS

BS 5733	PACK QTY
45A Cable Outlet with terminals and cable clamp Terminals will accept 2 x 10mm ² cable	10 4506
45A Cable Outlet with cable clamp Cable clamp will accept 1 x 16mm ² through cable	10 4507

20A CORD OUTLET

BS 5733	PACK QTY
20A Cord Outlet with cable clamp	10 4075

For technical information please see page 114

For dimensions please see page 140-141

PRODUCT MARKING SERVICE

A wide range of markings can be added to 13A fused connection units and double pole control switches. The majority of these markings are consistent in style, colour and position with the standard Tampo-printed 'water heater' marking on List No.4015/31. All of the markings offer the same high level of durability.

To order any of the markings listed below, add suffix to List No. ie 4827 marked 'fridge freezer' = 4827/FF.



4827/WM



4827/3/TD



4828/AC



4828/3/IA



4015/ST



4015/HT



4500/3/SH



4500/3/OV



4304/D/FR



4306/FCO

MARKING	SUFFIX	MARKING	SUFFIX
air conditioner	AC	humidity vent	HV
alarm	AL	intruder alarm	IA
appliance	APP	immersion heater	IH
bathroom	BA	infra red sauna	IRS
bell transformer	BE	jacuzzi	JA
bathroom extract fan	BEF	kitchen extract fan	KEF
bathroom heater	BH	light	LG
boiler	BO	lift	LI
boiler supply	BOS	loft light	LL
boost	BST	microwave	MW
British Telecom	BT	night immersion	NI
caravan	CA	off peak	OFFP
CCTV	CCTV	outside light	OL
central heating	CH	on peak	ONP
cooker	CK	oven	OV
cupboard light	CL	pelmet light	PEL
convector heater	CNH	plinth heater	PLH
day boost	DB	panel heater	PH
detector	DE	refrigerator	RF
downflow heater	DH	security alarm	SA
door bell	DO	socket below	SB
dish washer	DW	smoke detector	SD
dryer	DY	security equipment	SE
emergency circuit	EC	saniflo	SF
extractor fan	EF	shower	SH
extractor hood	EH	security light	SL
fire alarm	FA	shower pump	SP
for cleaners use only	FCO	storage heater	ST
fan coil unit	FCU	steam cabinet	STC
feature fire	FE	stair lift	STL
fridge/freezer	FF	tanning cabinet	TC
fan heater	FH	tumble dryer	TD
fire	FI	towel rail	TR
fan	FN	traditional sauna	TS
fridge	FR	TV amplifier	TVA
freezer	FZ	underfloor heating	UH
gas ignition	GI	underlights	UL
garden shed	GS	vent fan	VF
hand dryer	HA	water heater	WA
hob	HB	water cooler	WC
cooker hood	HD	waste disposal	WD
heating	HG	washing machine	WM
hair dryer	HI	washer	WS
heating isolator	HS		
heater	HT		

These popular markings are offered on a fast track service in the standard wiring accessories colour. For price and delivery information on other markings not listed above, contact our Technical Services Department.



2400

SHAVER SUPPLY UNIT

BSEN 61558-2-5		PACK QTY	
input	240V 50Hz	1	2400
output	{ 115V 50Hz 240V 50Hz		

For technical information please see page 114



2402/E

LIGHT & SHAVER UNIT

BS EN 61558-2-5, BS 4533-102.1		PACK QTY	
input	240V 50Hz	1	2402/E
output	{ 115V 50Hz 240V 50Hz		
60W 284mm tungsten lamp			

For technical information please see page 115



2167

50A CEILING SWITCHES

BS EN 60669-1		PACK QTY	
1 way DP with neon and mechanical indicator		1	2167

For technical information please see page 119



4001

4003

4002

4004

BLANKING PLATES

BS 5733 WHERE APPLICABLE		PACK QTY	
1 gang		20	4001
2 gang		20	4002
1 gang architrave		20	4003
2 gang architrave		20	4004

For dimensions please see page 140-142


CO-AXIAL SOCKET OUTLETS-DIRECT CONNECTION

BS 3041 WHERE APPLICABLE	PACK QTY	
1 way direct connection	10	7265
2 way direct connection	10	7266

For technical information please see page 115


CO-AXIAL SOCKET OUTLETS-ISOLATED

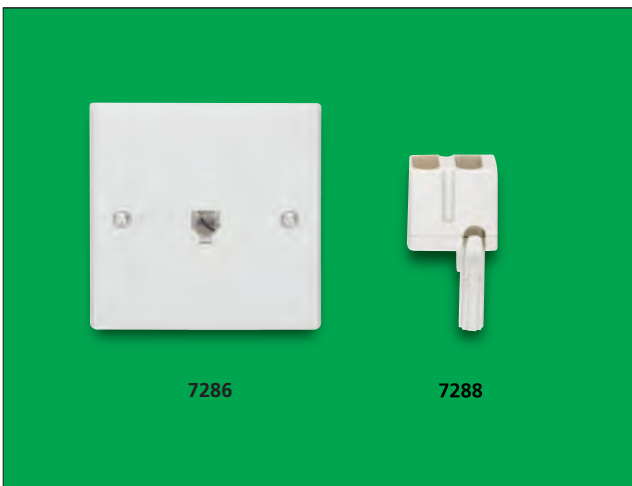
BS 3041 WHERE APPLICABLE	PACK QTY	
1 way isolated UHF, VHF	10	7267
2 way isolated UHF, VHF	10	7268

For technical information please see page 115


TELEPHONE SOCKET OUTLETS

BS 7671	PACK QTY	
IDC tool	20	6915
Single master	10	7283
Single secondary	10	7284

For technical information please see page 116


TELEPHONE SOCKET OUTLETS

BS 7671	PACK QTY	
IRJ11 Telephone socket	10	7286
Dual outlet adaptor	10	7288

For technical information please see page 116

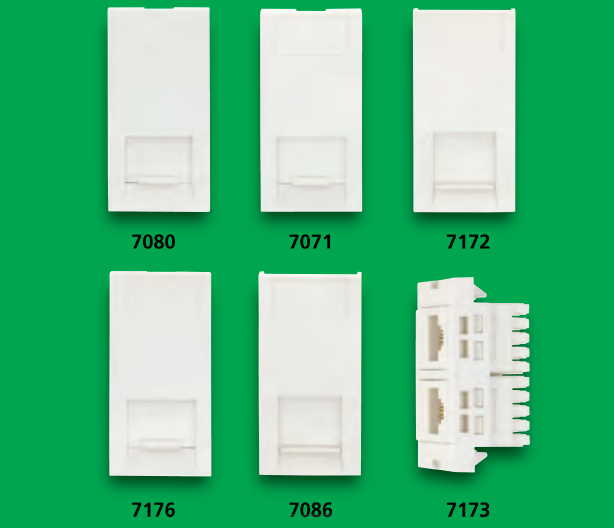
For dimensions please see page 140


MOUNTING PLATES CAPITAL

BS 5733 WHERE APPLICABLE	PACK QTY	
2 module moulded	10	7091
4 module moulded	10	7094


PART M MOUNTING PLATES CAPITAL

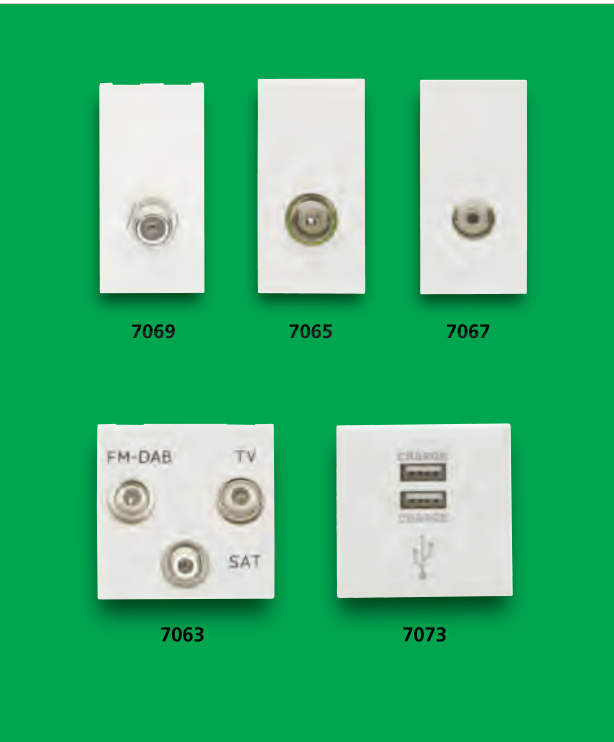
BS 5733 Where Applicable	PACK QTY	
2 module moulded		7091/GRY
4 module moulded		7094/GRY


COMMUNICATION MODULES

	PACK QTY	
BT Master Voice	25	7080
BT secondary Voice, 6 wire	25	7071
RJ45 (single) module, 8 wire – Category 5e	25	7172
RJ45 (single) module, 8 wire – Category 6	25	7177
RJ11/12	25	7086
PABX Voice	25	7176
RJ45 (Twin) module	25	7173

Also available in Black - Add suffix BK to list No. i.e BT Master in Black = 7080/BK

Dimensions - 1 Module - 25mm x 50mm
 7063, 7066 and 7073 - 50mm x 50mm
 7064 - 75mm x 50mm


DATA AND CO-AXIAL MODULES

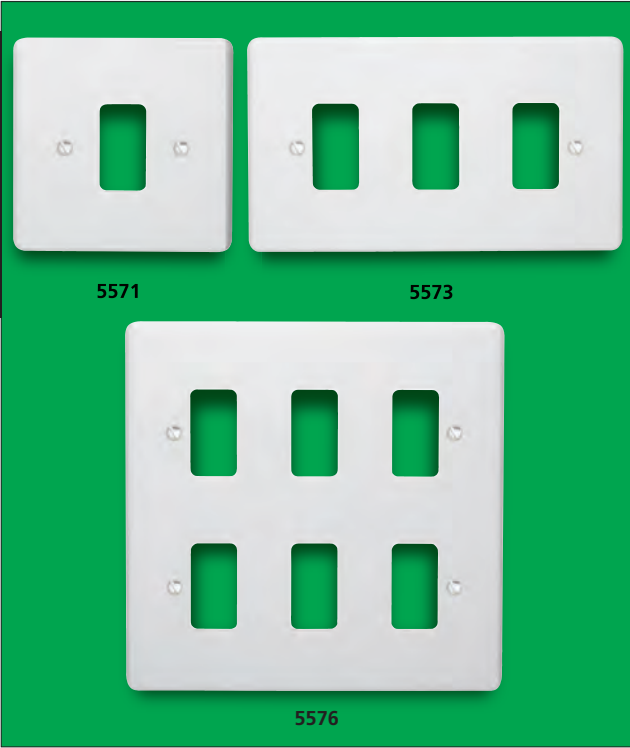
	PACK QTY	
BNC single module with 75 Ohm crimp connector	25	7074
TV outlet (male) FM	25	7065
TV outlet (female) TV	25	7067
F type Satellite	25	7069
Triplex Unit (TV, FM, Sat)	10	7063
Quadplexer with TV return (TV, TV return, FM, Sat1 & Sat 2)	10	7064*
Quadplexer (TV, FM, Sat1 & Sat 2)	10	7066
TV outlet screened, return	25	7060
USB dual 2 x 1A 5V	10	7073
Phono (Female)	25	7087

BLANK MODULES & ACCESSORIES

1/2 module size	25	7081/2
1 module size	25	7081
2 module size	10	7082

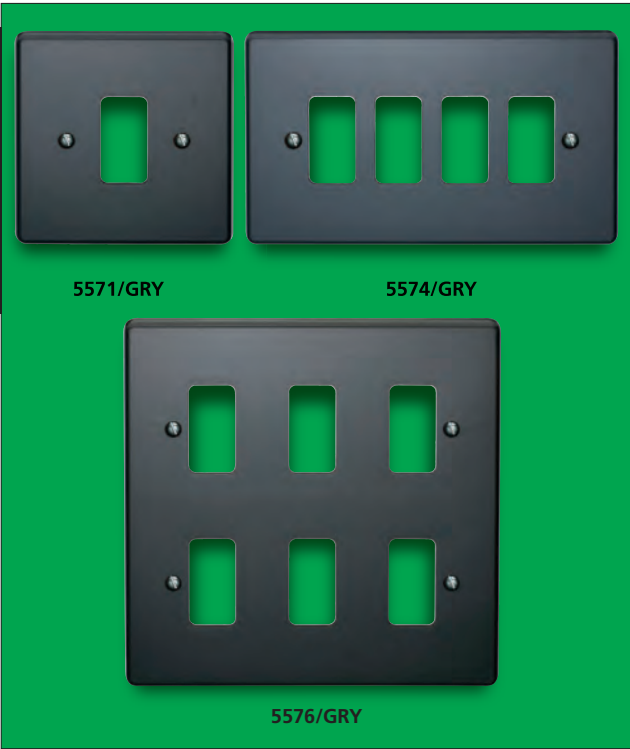
Also available in Black - Add suffix BK to list No. i.e USB unit in Black = 7073/BK
 * Not available in Black

For technical information please see page 117



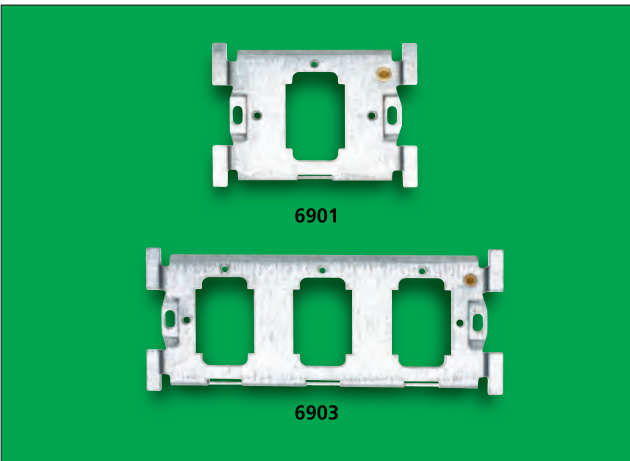
FLUSH MOULDED GRID PLATES

	PACK QTY	
1 gang Plate for Capital grid	20	5571
2 gang Plate for Capital grid	20	5572
3 gang Plate for Capital grid	10	5573
4 gang Plate for Capital grid	10	5574
6 gang Plate for Capital grid	1	5576



PART M FLUSH MOULDED GRID PLATES

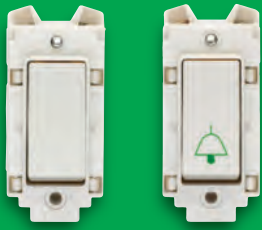
	PACK QTY	
1 gang Plate for Capital grid	20	5571/GRY
2 gang Plate for Capital grid	20	5572/GRY
3 gang Plate for Capital grid	10	5573/GRY
4 gang Plate for Capital grid	10	5574/GRY
6 gang Plate for Capital grid	1	5576/GRY



GRIDS

1 gang	20	6901
2 gang	20	6902
3 gang	10	6903
4 gang	10	6904
6 gang	10	6906

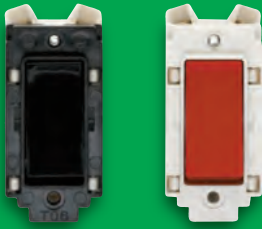
For dimensions please see page 149



4430
4530 4490

10AX SWITCHES – MOULDED ROCKER

BS EN 60669-1	PACK QTY	
1 way SP	10	4430
2 way SP	10	4530
Retractive 10A	10	4489
Retractive 10A marked "Press"	10	4489/P
Retractive – bell symbol 10A	10	4490
Retractive 2 way and off 10A	10	4553



4430/BK 4430/RD
4530/BK 4530/RD

10AX SWITCHES – BLACK OR RED MOULDED ROCKER

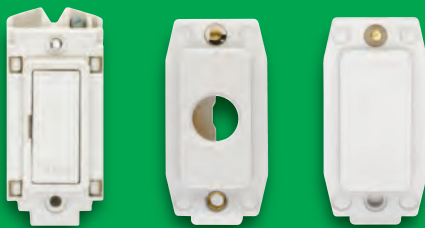
BS EN 60669-1	PACK QTY	
1 way SP	10	4430/BK or RD
2 way SP	10	4530/BK or RD
Retractive – bell symbol 10A	10	4490/BK or RD



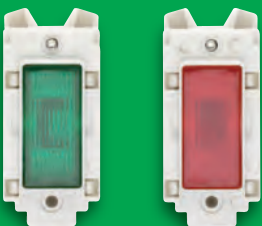
4430/GRY 4489/GRY
4530/GRY

10AX GRID SWITCHES – GREY MOULDED ROCKER

BS EN 60669-1	PACK QTY	
10AX 1 way Grid Switch		4430/GRY
10AX 2 way Grid Switch		4530/GRY
10A Retractive Grid Switch		4489/GRY



4436 4435 4492



4493 4491

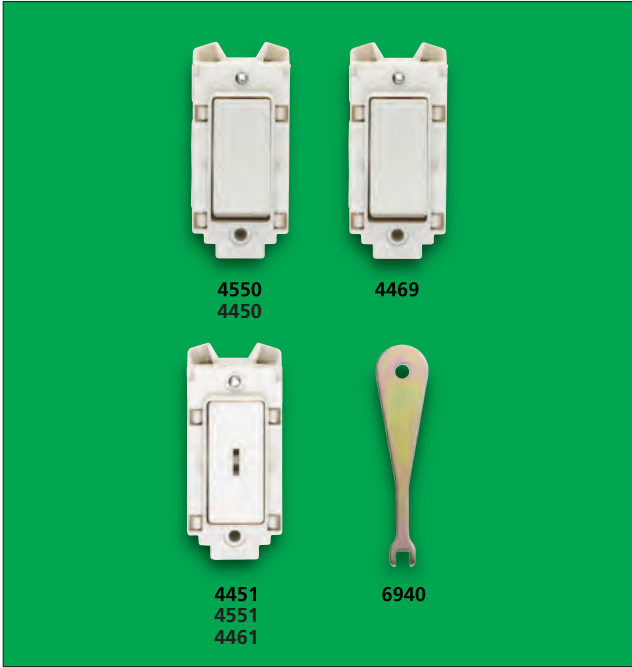
ACCESSORIES – MOULDED

BS 5733 WHERE APPLICABLE	PACK QTY	
Fuse unit fitted with 13A ASTA certified fuse link	10	4436
Cord outlet – 10mm diameter aperture, complete with earthing terminal and cable clamp	10	4435
Blanking component	10	4492
Indicator – Red	10	4491
Indicator – Green	10	4493*
Indicator – Amber	10	4494

Available as made to order in black - Add suffix BK to list No.

i.e. Cord outlet in black = 4435/BK

* Not available in black



20AX SWITCHES – MOULDED ROCKER

BS EN 60669-1	PACK QTY	
1 way	10	4450
1 way complete with key	10	4451
1 way with key marked "Emergency Lighting Test"	10	4451/ELT
Double Pole	10	4460
DP complete with key	10	4461
DP with key marked "Emergency Lighting Test"	10	4461/ELT
DP marked 'ON'	10	4469
Intermediate	10	4535
Intermediate complete with key	10	4535/KEY
2 way	10	4550
2 way complete with key	10	4551
2 way with key marked "Emergency Lighting Test"	10	4551/ELT
2 way and off	10	4552
Spare key	10	6940



20AX SWITCHES – BLACK OR RED MOULDED ROCKER

BS EN 60669-1	PACK QTY	
1 way	10	4450/BK or RD
Double Pole	10	4460/BK or RD
Intermediate	10	4535/BK or RD
2 way	10	4550/BK or RD



20AX GRID SWITCHES – GREY MOULDED ROCKER

BS EN 60669-1	PACK QTY	
20AX 1 way Grid Switch	10	4450/GRY
20AX 2 way Grid Switch	10	4550/GRY
20AX DP Grid Switch	10	4460/GRY
20AX Intermediate Switch	10	4535/GRY

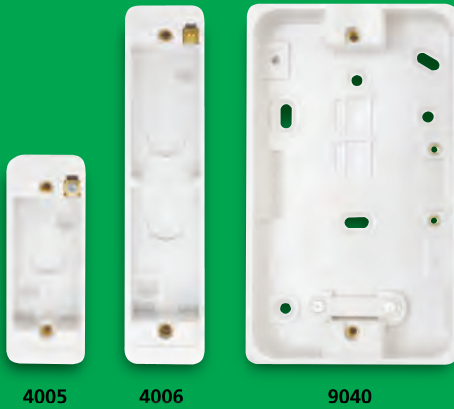


20AX DOUBLE POLE SWITCH MARKING

"boiler"	4460/BO	"cooker hood"	4460/HD
"dishwasher"	4460/DW	"extractor fan"	4460/EF
"fridge"	4460/FR	"freezer"	4460/FZ
"fridge freezer"	4460/FF	"hob"	4460/HB
"heating system"	4460/HT	"microwave"	4460/MW
"tumble dryer"	4460/TD	"waste disposal"	4460/WD
"washer dryer"	4460/WDR	"washing machine"	4460/WM
"water heater"	4460/WA		

- can be used with 13A fuse units to build bespoke kitchen/utility room control panel.
All of the above are supplied in pack quantities of 10.

For technical information please see page 116



4005

4006

9040



9043

9048/1



9050



9052



9406

SURFACE MOULDED BOXES FOR CAPITAL WIRING ACCESSORIES

BS 5733	PACK	QTY
20mm deep		
For Capital single gang moulded architrave switches Will accept 16mm x 16mm mini-trunking	10	4005
Dimensions 33mm x 87mm x 20mm		
For Capital double gang moulded architrave switches Will accept 16mm x 16mm mini-trunking	10	4006
Dimensions 33mm x 147mm x 20mm		
34mm deep		
For 50A Capital switches and Rockergrid 3 and 4 gang moulded assemblies Fitted with cable clamp	5	9040*
Dimensions 87mm x 147mm x 34mm		
44mm deep		
For 15A socket outlets, 32A DP switches and Rockergrid 1 and 2 gang moulded assemblies	10	9041
Dimensions 87mm x 87mm x 44mm		
20mm deep		
With earth terminal For 10AX Capital moulded and metal plate,	10	9043
Dimensions 87mm x 87mm x 20mm		
29mm deep		
Dual box for two single gang size accessories Fixed dividing barrier with knockouts	5	9044*
Dimensions 174mm x 87mm x 29mm		
For single gang size moulded accessories	10	9047
Dimensions 87mm x 87mm x 29mm		
For double gang size moulded accessories	5	9048*
Dimensions 147mm x 87mm x 29mm		
With earth terminal For Capital 4 to 6 gang switches	5	9048/1*
Dimensions 147mm x 87mm x 29mm		
32mm deep Skirting Backbox		
Multipurpose box for single gang size accessories	5	9049*
Dimensions 88mm x 165mm x 32mm		
Multipurpose box for double gang size accessories	2	9050*
Dimensions 148mm x 165mm x 32mm		
45mm deep		
For 45A cooker control units Fitted with cable clamp	1	9052*
Dimensions 169mm x 115mm x 45mm		
49mm deep		
For shaver supply unit Will accept 25mm x 16mm mini-trunking	5	9053*
Dimensions 87mm x 147mm x 49mm		
45mm deep		
For slimline cooker control units Will accept 25mm x 16mm mini-trunking Fitted with cable clamp	5	9054*
Dimensions 89mm x 147mm x 45mm		
20mm deep		
2 gang Surface conversion patresses Converts 1 gang Flush box to 2 gang Surface	5	9406
Dimensions 147mm x 87mm x 20mm		

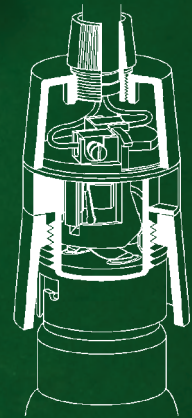
* Can be secured to flush mounting steel boxes having 60.3mm accessory fitting centres

CEILING ACCESSORIES

The extensive range of Crabtree ceiling accessories combines modern styling with advanced safety design features.

The standard range of ceiling accessories now offers a competitive alternative to the safety range.

The Crabtree range of Luminaire Support Couplers (LSC) provide flexibility and versatility to meet the demands of many domestic, commercial and industrial lighting applications.



Design of the Safety lampholder body is common to both pendant and batten lampholders. This ensures that the lamp must be fully inserted before the lampholder contacts become 'live'.



SAFETY CEILING ROSE

BS 67	PACK QTY	
Safety ceiling rose	10	5860



HEAVY DUTY CEILING ROSE

BS 67	PACK QTY	
Heavy duty ceiling rose	10	5861



STANDARD CEILING ROSE

BS 67	PACK QTY	
Ceiling rose with integral terminal block	10	3443

STANDARD CEILING HALO

	PACK QTY	
Ceiling Halo	10	3443/HALO



SAFETY BATTEN LAMP HOLDERS

BS EN 61184, T2 RATING	PACK QTY	
Safety batten lampholder	1	5851
Home office shield	50	5801

SAFETY PENDANT LAMP HOLDERS

BS EN 61184, T2 RATING	PACK QTY	
Safety pendant lampholder	20	5850



STANDARD STRAIGHT BATTEN LAMP HOLDERS

BS EN 61184, T2 RATING	PACK QTY	
Batten lampholder, 3 terminal direct wiring with short skirt	10	3410
Batten lampholder, integral terminal block with short skirt	10	3420
Batten lampholder, integral terminal block with Home Office skirt	10	3422
Replacement standard short skirt	50	3401

STANDARD ANGLE BATTEN LAMP HOLDERS

Angle batten lampholder, separate 4 way terminal block with Home Office skirt	10	3432
---	----	-------------

For dimensions please see page 142
 For technical information please see page 118



SAFETY PENDANT SETS

BS67 BS EN 61184, T2 RATING	PACK QTY	
With 6" cord	10	5855
With 9" cord	10	5855/9
With 12" cord	10	5855/12

Comprises safety ceiling rose (List No. 5860) and safety pendant lampholder (List No. 5850)



SAFETY HEAVY DUTY PENDANT SET

BS67 BS EN 61184, T2 RATING	PACK QTY	
With 6" cord	10	5856

Comprises heavy duty ceiling rose (List No. 5861) and safety pendant lampholder (List No. 5850)



SAFETY LAMPHOLDER PENDANT SET

BS67 BS EN 61184, T2 RATING	PACK QTY	
With 6" cord	10	5855/S
With 9" cord	10	5855/S9
With 12" cord	10	5855/S12

Comprises standard ceiling rose (List No. 3443) and safety pendant lampholder (List No. 5850)



LOW ENERGY LAMP HOLDERS

BSEN 61184:2008	PACK QTY	
10/13W LOW ENERGY LAMP HOLDERS FOR 4 PIN CFLs		
6" pendant set with compact fluorescent lampholder	1	3450/LECFL



STANDARD PENDANT SETS & LAMP HOLDERS

BS 67 & BS EN 61184, T2 RATING	PACK QTY	
Pendant lampholder, T2 rating with spring plungers	20	3442
Pendant set with 6" cord	25	3450
Pendant set with 9" cord	10	3450/9

Pendant sets comprise ceiling rose (List No. 3443) and pendant lampholder (List No. 3442)

- Lampholder is constructed from one-piece thermoplastic interior.

For dimensions please see page 142
For technical information please see page 118



6AX CEILING SWITCHES

BS EN 60669-1	PACK QTY	
1 way SP	10	2041
2 way SP	10	2141
Retractive SP	10	2147



16A CEILING SWITCHES

BS EN 60669-1	PACK QTY	
2 way SP	10	2161
1 way DP with neon indicator	10	2163



50A CEILING SWITCHES

BS EN 60669-1	PACK QTY	
1 way DP with neon and mechanical indicator	1	2167



STANDARD JUNCTION BOXES 20A

BS 60670-22	PACK QTY	
20A 4 terminal junction box, white	10	3462/WH
20A 4 terminal junction box, black	10	3462/BK



STANDARD JUNCTION BOXES 32A

BS 60670-22	PACK QTY	
30A 3 terminal junction box, white	10	3463/WH
30A 3 terminal junction box, black	10	3463/BK

For dimensions please see page 142
For technical information please see page 119


5020/4
4 PIN LUMINAIRE DISTRIBUTION BOXES

Description	List No
4 pin 6 way	5020/4
4 pin 8 way	5021/4
4 pin 10 way	5022/4


5002/3 complete assembly
CEILING ASSEMBLIES 3 PIN

Description	List No
3 pin	5001
3 pin with 2m 1.0mm ² Heat Resistant (HR) cable	5002
3 pin with 2m 1.0mm ² Low Smoke (LSF) cable	5017
3 pin with 3m 1.0mm ² Heat Resistant (HR) cable	5002/3
3 pin with 3m 1.0mm ² Low Smoke (LSF) cable	5017/3
3 pin with 5m 1.0mm ² Heat Resistant (HR) cable	5002/5
3 pin with 5m 1.0mm ² Low Smoke (LSF) cable	5017/5

• Ceiling assemblies supplied as outlet, LSC plug and cover.


5006
LSC PLUGS

Description	List No
3 pin	5006
3 pin C/W 2m HR cable	5006/2
3 pin C/W 3m HR cable	5006/3
3 pin C/W 4m HR cable	5006/4


5018/3 complete assembly
CEILING ASSEMBLIES 4 PIN

Description	List No
4 pin	5009
4 pin, Red cover, socket & plug	5009/RED
4 pin with 2m 1.0mm ² Heat Resistant (HR) cable	5018
4 pin with 2m 1.0mm ² Low Smoke (LSF) cable	5019
4 pin with 3m 1.0mm ² Heat Resistant (HR) cable	5018/3
4 pin with 3m 1.0mm ² Low Smoke (LSF) cable	5019/3
4 pin with 5m 1.0mm ² Heat Resistant (HR) cable	5018/5

• Ceiling assemblies supplied as outlet, LSC plug and cover.


5010
LSC PLUGS

Description	List No
4 pin	5010
4 pin C/W 2m HR cable	5010/2
4 pin C/W 3m HR cable	5010/3
4 pin C/W 4m HR cable	5010/4


5003
5011
CEILING OUTLETS

Description	List No
3 pin ceiling outlet	5003
4 pin ceiling outlet	5011

SERVICE ITEMS

Description	List No
Cover only for LSC ceiling assembly	5001/CVR
Surface mounting pattress	5005

For dimensions please see page 142
For technical information please see page 120



CEILING MASTER MOTION SENSOR

	PACK QTY	
Ceiling Master Motion Sensor	1	6004

- Detection circular 360°
- 8 metre diameter detection zone at 2.4 metre height
- Power box supplied with master motion sensor
- Plastic shroud supplied to help mask the lens if there are any undesired areas



CEILING SLAVE MOTION SENSOR

	PACK QTY	
Ceiling Slave Motion Sensor	1	6005

- No wiring required
- Detection circular 360°
- 8 metre diameter detection zone at 2.4 metre height
- Plastic shroud supplied to help mask the lens if there are any undesired areas



6001

Rear view of product 6001

CEILING MOTION SENSOR

	PACK QTY	
Ceiling Motion Sensor	1	6001

- 360° Detection range, flush mounting



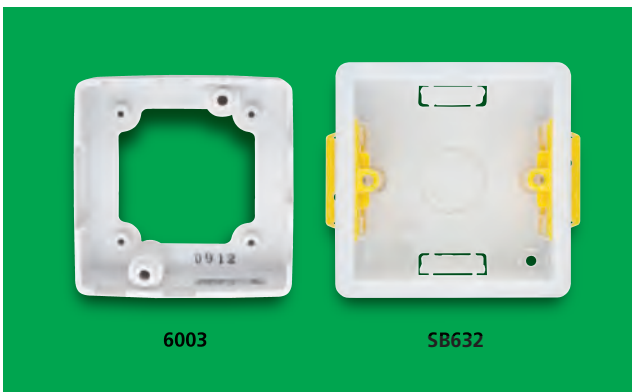
6002

Rear view of product 6002

CORRIDOR MOTION SENSOR

	PACK QTY	
Corridor Motion Sensor	1	6002

- 360° Detection range, flush mounting



6003

SB632

FLUSH MOUNT BACK BOX

	PACK QTY	
1 Gang 47mm deep dry lining back box	10	SB632

- Tile Thickness** 6.35 to 15mm
- Dimensions** 83mm x 83mm x 48mm
- Cut out dimension** 73mm x 73mm

SURFACE MOUNT BACK BOX

	PACK QTY	
1 Gang 39mm deep	1	6003

- Dimensions** 90mm x 90mm x 39mm

For technical information please see page 131-132



6845



6846

MINDER 90°, 220° & 280° SENSORS

IP55	PACK QTY	
Passive infrared motion detector which switches consumers through a timing element when sources of heat move within its range.		
Minder 90 Deg PIR sensor, no remote control, surveillance range 12m frontal, 6m lateral	1	6853
Minder 220 Deg PIR sensor, c/w remote control, surveillance range 16m frontal & lateral	1	6845
Minder 280 Deg PIR sensor, c/w remote control, surveillance range 16m frontal & lateral	1	6846

- Minder 90° and 220° can be swivelled vertically +90° -40°
- Sensor head can be swivelled horizontally +/- 65°
- Can be wall or ceiling mounted
- Minder 90° and 220° offer rear-field "anti-creep" protection
- Maximum Switching current 16AX

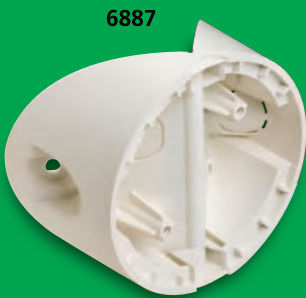


6849

MINDER SECURITY 220° SENSOR

IP55	PACK QTY	
Minder Security 220 Deg PIR sensor, c/w remote control, surveillance range 16m frontal & lateral	1	6849

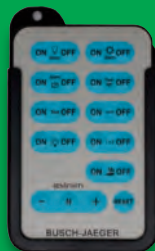
- Minder 220° can be swivelled vertically +90° -40°
- Sensor head can be swivelled horizontally +/- 65°
- Can be wall or ceiling mounted
- Minder 220° offers rear-field "anti-creep" protection
- Maximum Switching current 16AX



6887



6841

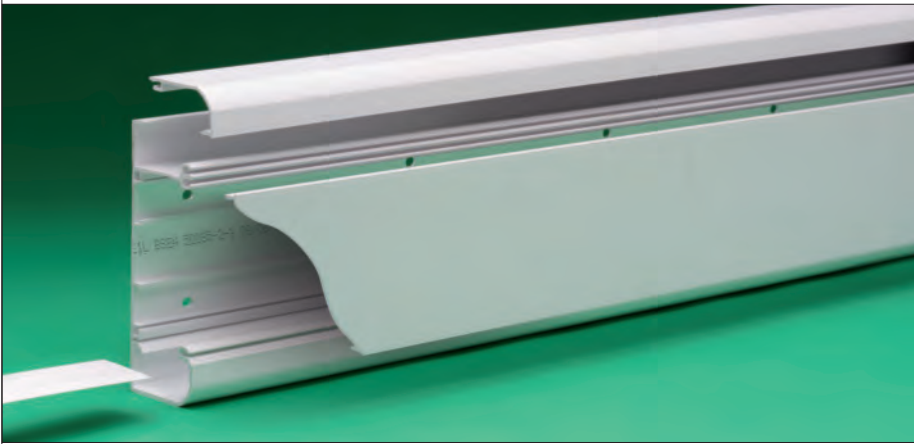


6842

ANCILLARY ITEMS

	PACK QTY	
Corner mounting bracket	1	6887
Manual remote control	1	6841
Service Manual remote control	1	6842





Crabtree COMPAK power and data trunking, measuring just 140mm x 50mm, is a clean unobtrusive well designed trunking system for fast and simple installation of the latest data categories including CAT 6, 6A and 7.

Cable capacity for top and bottom compartment is 980mm².

Complete with flexible corners and customisable T piece.



CRCM1 + CRCM1/TL + CRCM1/ML fitted

TRUNKING LENGTHS

DESCRIPTION	PACK QTY	LIST NO.
Trunking base (3 meter length)	4	CRCM1
Top lid for CRCM1 (3 meter length)	4	CRCM1/TL
Main lid for CRCM1 (3 meter length)	4	CRCM1/ML
Main lid for CRCM1 in grey (3 meter length)	4	CRCM/MLG
PVC divider (1 meter length)	8	CRCM1/DV



CRCM1/EFB

EXTERNAL CORNER

DESCRIPTION	PACK QTY	LIST NO.
External flexible 90° corner	4	CRCM1/EFB



CRCM1/IFB

INTERNAL CORNER

DESCRIPTION	PACK QTY	LIST NO.
Internal flexible 90° corner	4	CRCM1/IFB



CRCM1/FT

T PIECE

DESCRIPTION	PACK QTY	LIST NO.
T piece "UP" and "DOWN"	1	CRCM1/FT



FLAT ANGLE

DESCRIPTION	PACK QTY	LIST NO.
Flat angle "UP" and "DOWN"	1	CRCM1/FA



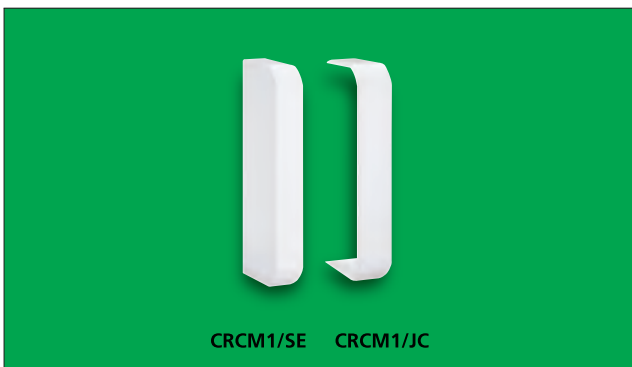
BOXES

DESCRIPTION	PACK QTY	LIST NO.
Single back box 25mm	20	CRCM/SGB
Double back box 25mm	10	CRCM/TGB
Single adjustable back box 38-50mm	20	CRCM/ASGB
Double adjustable back box 38-50mm	10	CRCM/ADGB



PROFILE ADAPTER

DESCRIPTION	PACK QTY	LIST NO.
Adapter from CRCM1 to CRCM2 profile	1	CRCM1/AD



ACCESSORY FITTINGS

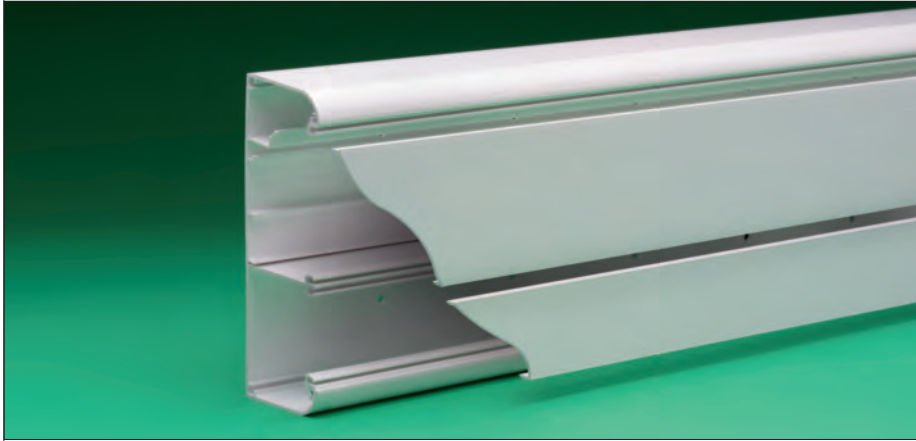
DESCRIPTION	PACK QTY	LIST NO.
Joint cover	5	CRCM1/JC
Stop end	5	CRCM1/SE



ACCESSORIES

DESCRIPTION	PACK QTY	LIST NO.
Security rivets	1000	CRCM1/SR
Earth terminal	10	SB/BT
Dowel joining pins	100	CRCM/DJ
Contrasting spacer module	20	CRCM/GM

For dimensions please see page 152
 For technical information please see page 135-136



Crabtree MAXPAK power and data trunking, measuring 180mm x 65mm, is a high cabling capacity trunking system for fast and simple installation of the latest data categories including CAT 6, 6A and 7.

Cable capacity for top compartment is 617mm² and bottom compartment is 4060mm².

Complete with flexible corners, customisable T piece and flat angles.



CRCM2 + CRCM2/CS

TRUNKING LENGTHS

DESCRIPTION	PACK QTY	LIST NO.
Trunking base (3 meter length)	4	CRCM2
Top cover set (Main & small) (3 meter length)	4	CRCM2/CS
Top cover main lid in white (3 meter length)	4	CRCM1/ML
Top cover main lid in grey (3 meter length)	4	CRCM/MLG
Top cover small lid (3 meter length)	4	CRCM2/SL



CRCM2/EFB

EXTERNAL CORNER

DESCRIPTION	PACK QTY	LIST NO.
External flexible 90° corner	4	CRCM2/EFB



CRCM2/IFB

INTERNAL CORNER

DESCRIPTION	PACK QTY	LIST NO.
Internal flexible 90° corner	4	CRCM2/IFB

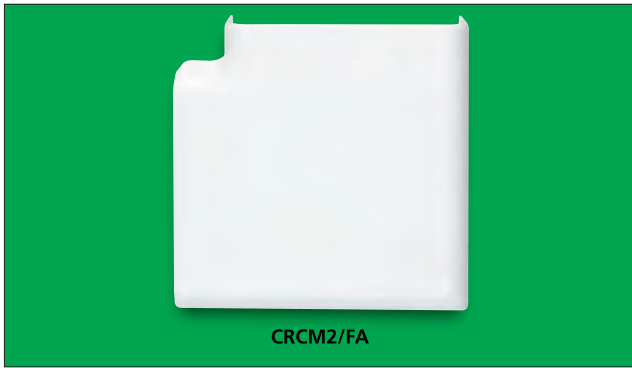


CRCM2/FT

T PIECE

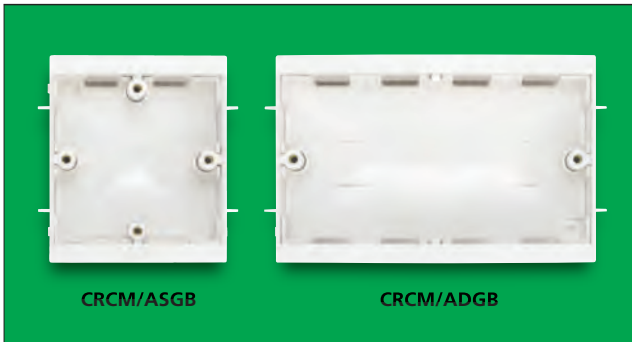
DESCRIPTION	PACK QTY	LIST NO.
T piece "UP" and "DOWN"	1	CRCM2/FT

For dimensions please see page 152
For technical information please see page 137-138



FLAT ANGLE

DESCRIPTION	PACK QTY	LIST NO.
Flat angle "UP" and "DOWN"	1	CRCM2/FA



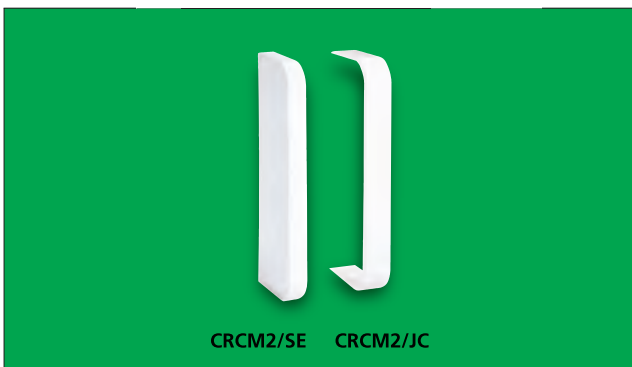
BOXES

DESCRIPTION	PACK QTY	LIST NO.
Single back box 25mm	20	CRCM/SGB
Double back box 25mm	10	CRCM/TGB
Single adjustable back box 38-50mm	20	CRCM/ASGB
Double adjustable back box 38-50mm	10	CRCM/ADGB



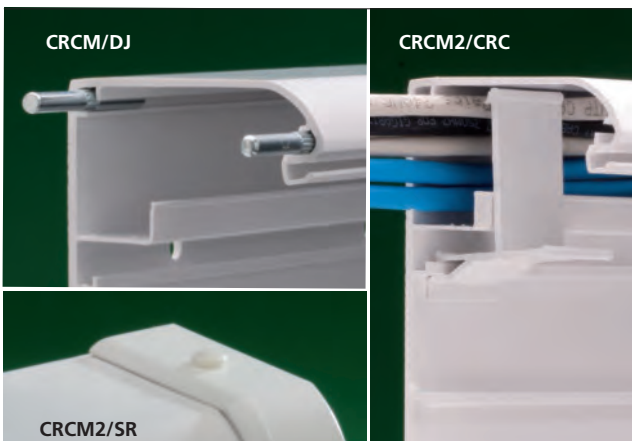
PROFILE ADAPTER

DESCRIPTION	PACK QTY	LIST NO.
Adapter from CRCM1 to CRCM2 profile	1	CRCM1/AD



ACCESSORY FITTINGS

DESCRIPTION	PACK QTY	LIST NO.
Joint cover	5	CRCM2/JC
Stop end	5	CRCM2/SE



ACCESSORIES

DESCRIPTION	PACK QTY	LIST NO.
Security rivets	1000	CRCM2/SR
Cable retainer clip	50	CRCM2/CRC
Earth terminal	10	SB/BT
Dowel joining pins	100	CRCM/DJ
Contrasting spacer main lid cover	20	CRCM/GM

For dimensions please see page 152
 For technical information please see page 137-138

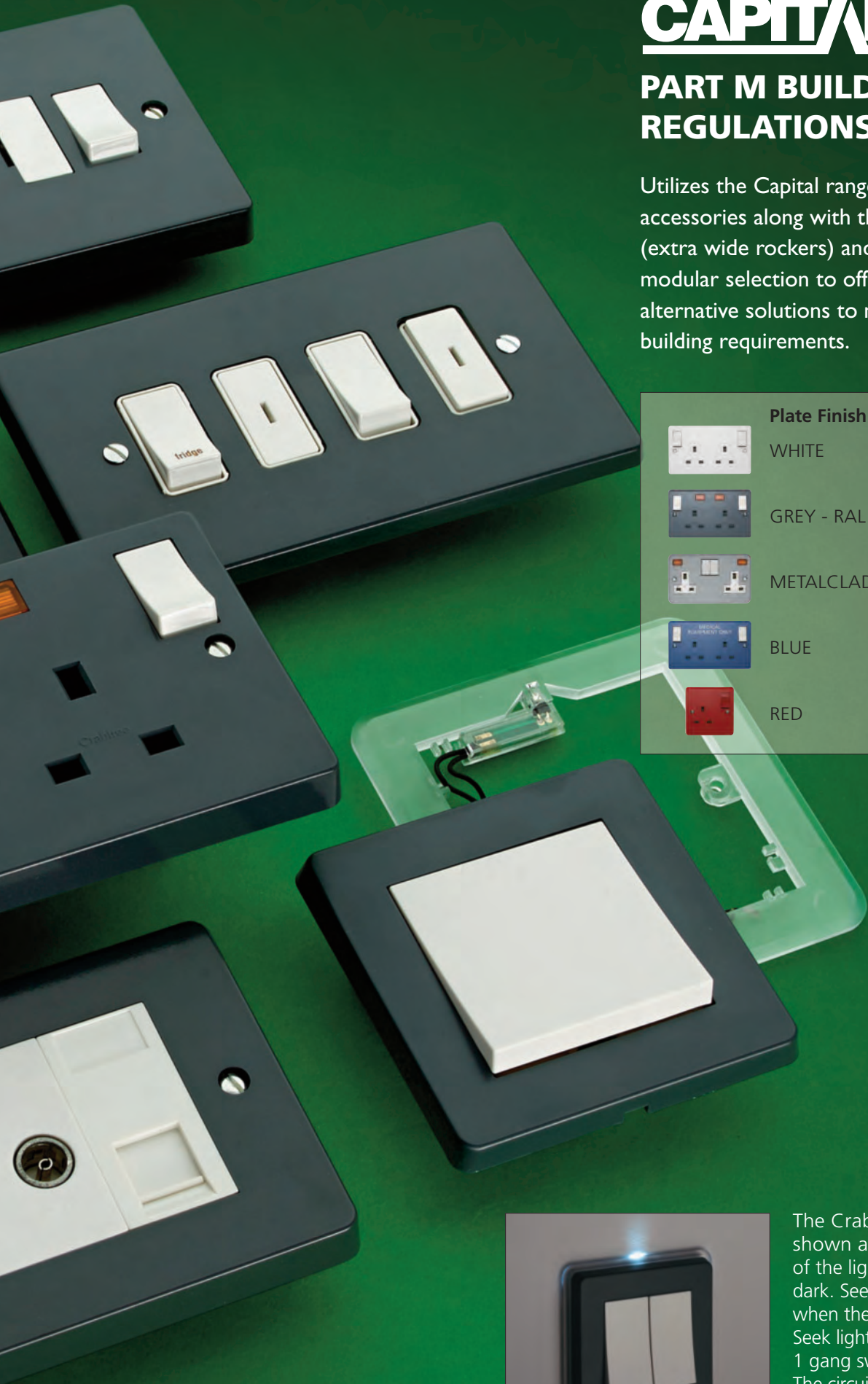


CAPITAL

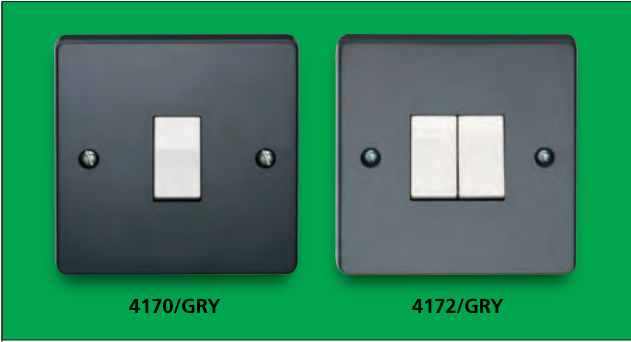
PART M BUILDING REGULATIONS

Utilizes the Capital range and style of wiring accessories along with the Corinthian (extra wide rockers) and Rockergrid modular selection to offer a selection of alternative solutions to meet the Part M building requirements.

	Plate Finish	Approx. LRV
	WHITE	74
	GREY - RAL 7012	12
	METALCLAD	34
	BLUE	13
	RED	14



The Crabtree Seek Light as shown assists in the location of the light switches in the dark. Seek light comes on when the switch is turned off. Seek light fits all Crabtree 1 gang switches. The circuit has been designed to reduce the pulse effect of the LED light and give a constant light source.



PART M 10AX PLATE SWITCHES

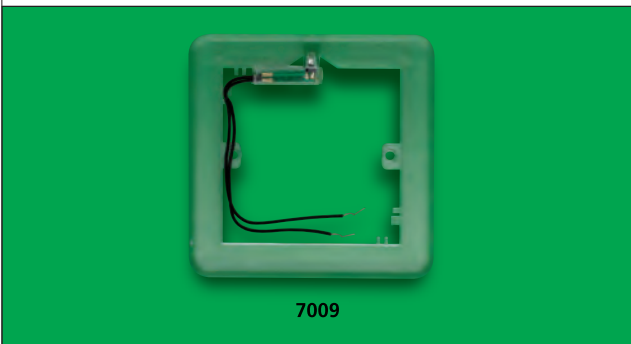
BS EN 60669-1	PACK QTY	
10AX 1 Gang 2 way SP	10	4170/GRY
10AX 2 Gang 2 way SP	10	4172/GRY
10AX 1 Gang Intermediate	10	4175/GRY

For technical information please see page 109



PART M 10AX 'CORINTHIAN' PLATE SWITCH

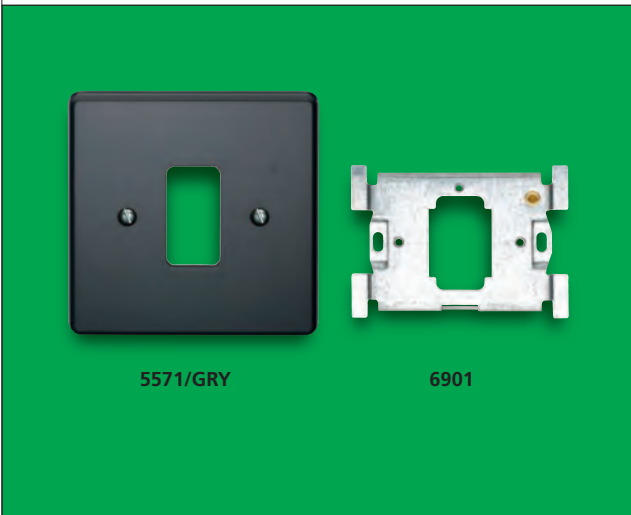
BS EN 60669-1	PACK QTY	
10AX 1 Gang 2 way SP	10	5170/GRY
10AX 2 Gang 2 way SP	10	5172/GRY
10AX 3 Gang 2 way SP	10	5173/GRY
20AX 1 Gang Intermediate	10	5175/GRY
10A 1 Gang Retractive marked 'Press'	10	5177/GRY



SEEKLIGHT

	PACK QTY	
SEEKLIGHT	10	7009

For technical information please see page 127



PART M GRID PLATES

	PACK QTY
1 Gang Plate for Capital grid	5571/GRY
2 Gang Plate for Capital grid	5572/GRY
3 Gang Plate for Capital grid	5573/GRY
4 Gang Plate for Capital grid	5574/GRY
6 Gang Plate for Capital grid	5576/GRY

GRIDS

1 gang	20	6901
2 gang	20	6902
3 gang	10	6903
4 gang	10	6904
6 gang	10	6906



10AX GRID SWITCHES

BS EN 60669-1	PACK QTY
10AX 1 way Grid Switch	4430/GRY
10AX 2 way Grid Switch	4530/GRY
10A Retractive Grid Switch	4489/GRY

20AX GRID SWITCHES

20AX 1 way Grid Switch	4450/GRY
20AX 2 way Grid Switch	4550/GRY
20AX DP Grid Switch	4460/GRY
20AX Intermediate Switch	4535/GRY

For dimensions please see page 140

For technical information regarding Part M building regulations please see page 125-126

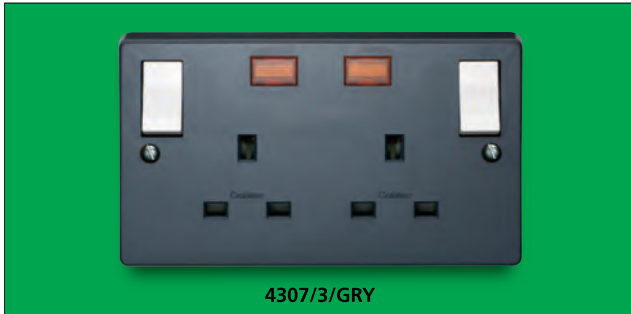


4304/3D/GRY

PART M 13A 1G SWITCHED SOCKET OUTLETS

BS 1363	PACK QTY	
1 Gang DP		4304/D/GRY
1 Gang DP fitted with neon indicator		4304/3D/GRY

For technical information please see page 110



4307/3/GRY

PART M 13A 2G SWITCHED SOCKET OUTLETS

BS 1363	PACK QTY	
2 Gang DP Outboard Rockers		4307/GRY
2 Gang DP Outboard Rockers with neon indicator		4307/3/GRY

For technical information please see page 110



4827/GRY

PART M 13A SWITCHED FUSED CONNECTION UNITS

BS 1363	PACK QTY	
DP Switched	10	4827/GRY
DP Switched with neon indicator	10	4827/3/GRY

For technical information please see page 111

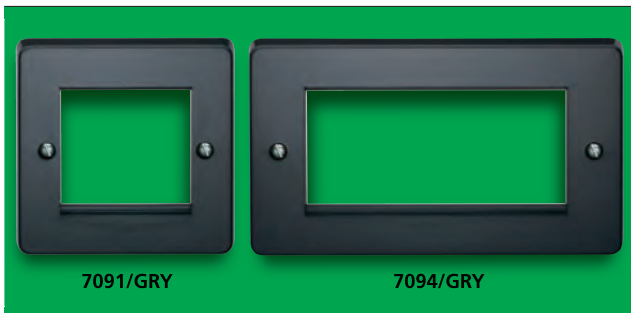


4013/3/GRY

PART M 32A DP CONTROL SWITCH

BS EN 60669-1	PACK QTY	
32A DP Control Switch with neon indicator	10	4013/3/GRY

For technical information please see page 112

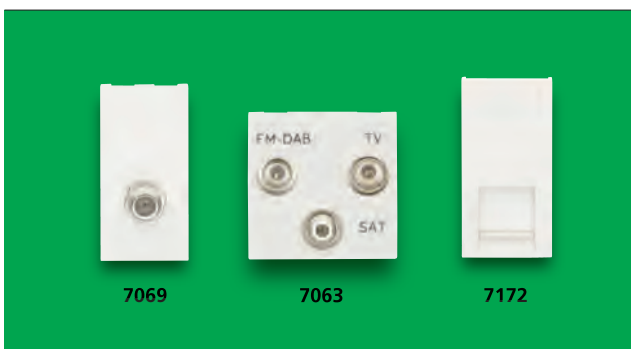


7091/GRY

7094/GRY

COMMUNICATION PLATE

BS 5733 Where Applicable	PACK QTY	
2 module moulded		7091/GRY
4 module moulded		7094/GRY



7069

7063

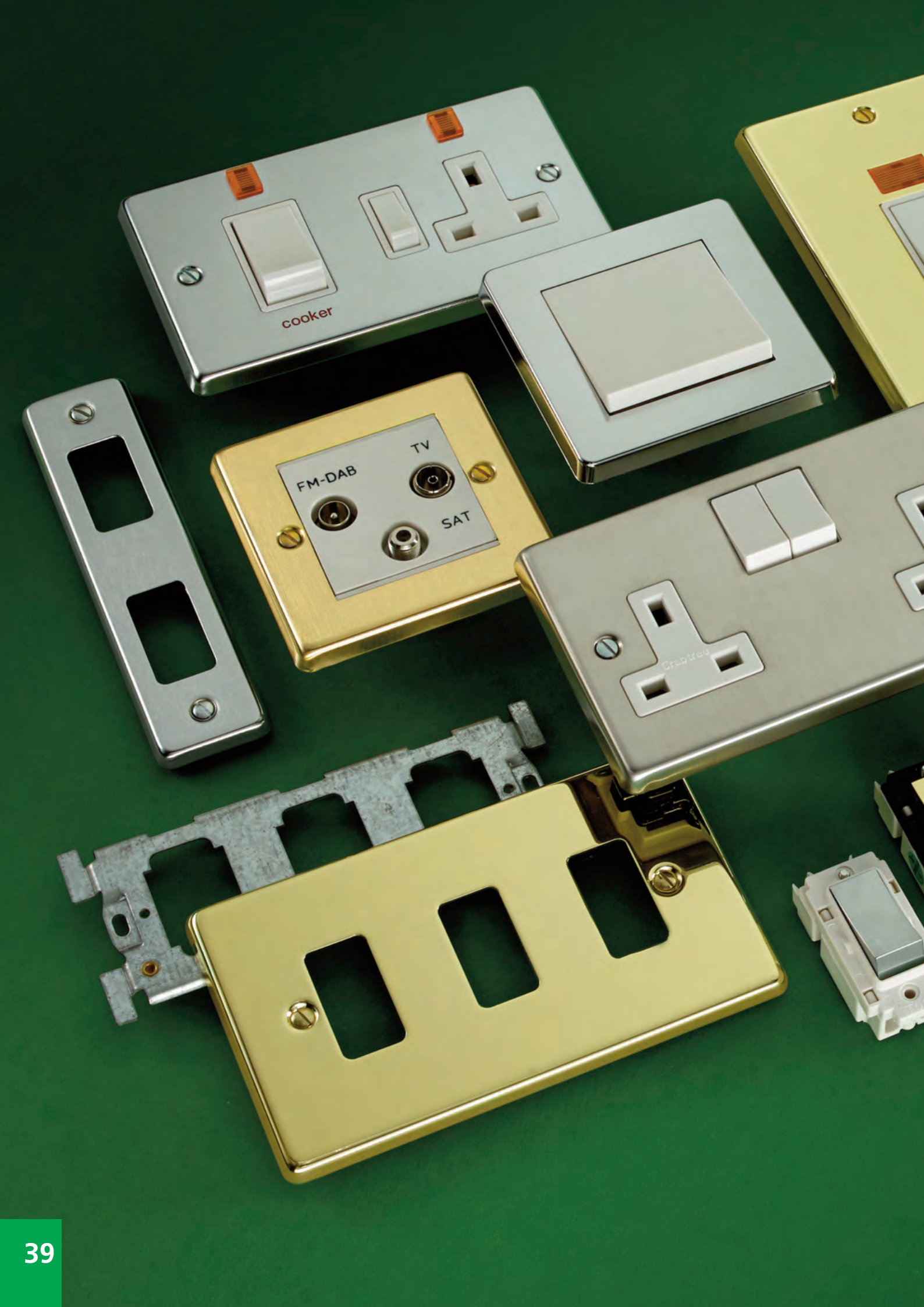
7172

COMMUNICATION MODULES

	PACK QTY	
RJ45 (single) module, 8 wire – Category 5e	25	7172
TV outlet (male) FM	25	7065
TV outlet (female) TV	25	7067
F type Satellite	25	7069
Triplex Unit (TV, FM, Sat)	10	7063
1/2 module size	25	7081/2
1 module size	25	7081

For dimensions please see page 140

For technical information regarding Part M building regulations please see page 125-126



METAL PLATE

The sophistication of Satin Chrome and Highly Polished Chrome, the elegance of Bronze and Polished Brass, along with durable Stainless Steel and Polished Stainless Steel finishes, provide stylish options to specifiers of a comprehensive matching range of wiring accessories.



Unique labyrinth switch design minimises visible arc flash and prevents front access to live parts whilst wide concave rockers are easy to operate.



Polished Stainless Steel



Satin Chrome



Polished Brass



Stainless Steel



Highly Polished Chrome



Bronze

For material specification please see page 123-124



6170/SC

10AX PLATE SWITCHES

BS EN 60669-1	PACK QTY	
1 gang 2 way	10	6170/ __
1 gang Intermediate	10	6175/ __
1 gang retractive	10	6096/ __



6173/BZ

10AX PLATE SWITCHES

BS EN 60669-1	PACK QTY	
2 gang 2 way	10	6172/ __
3 gang 2 way	10	6173/ __

Available in Satin Chrome (SC), Bronze (BZ), Highly Polished Chrome (HPC), Polished Brass (PB), Stainless Steel (SS), and Polished Stainless Steel (PSS).

Add suffix to List No. ie 6170 - 1 gang Plate Switch in Bronze = 6170/BZ.

Products are also available with Black interiors. Add suffix BK to List No. ie 6170 - 1 gang 2 way Plate Switch in Satin Chrome with Black interior = 6170/SCBK.



5170/HPC

10A CORINTHIAN METALISED PLATE SWITCH

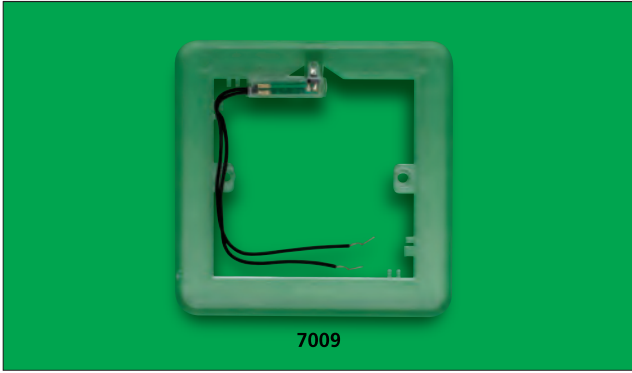
BS EN 60669-1	PACK QTY	
10AX 1 gang 2 way SP	10	5170/HPC
20AX 1 gang Intermediate	10	5175/HPC
10A 1 gang retractive marked 'Press'	10	5177/HPC



5173/HPC

10A CORINTHIAN METALISED PLATE SWITCH

BS EN 60669-1	PACK QTY	
10AX 2 gang 2 way SP	10	5172/HPC
10AX 3 gang 2 way SP	10	5173/HPC



7009

SEEKLIGHT

Seeklight will only illuminate when light control is off on a single pole circuit. On a Double pole circuit the Seeklight will be permanently on. The light is an LED type, which has had a circuit board designed to reduce the pulse effect and give a constant light source. The Seeklight requires a filament type bulb to operate correctly or neutral connection.

	PACK QTY
SEEKLIGHT	10 7009



6170/SC + 7009

CAPITAL METAL PLATE SWITCHES

The above Seeklight will fit the following plates:

1 gang 2 way 10AX SP	6170/_ _
2 gang 2 way 10AX SP	6172/_ _
3 gang 2 way 10AX SP	6173/_ _
1 gang Intermediate 20AX	6175/_ _
1 gang retractive 10A	6096/_ _



5170/HPC + 7009

10A CORINTHIAN METALISED PLATE SWITCH

BS EN 60669-1	PACK QTY
10AX 1 gang 2 way SP	10 5170/HPC
10AX 2 gang 2 way SP	10 5172/HPC
10AX 3 gang 2 way SP	10 5173/HPC
20AX 1 gang Intermediate	10 5175/HPC
10AX 1 gang retractive marked 'Press'	10 5177/HPC



Rockergrid + 7009

ROCKERGRID MODULAR SYSTEM

The above Seeklight will fit the following plates:

1 gang grid front plate metal finish	6571/_ _
2 gang grid front plate metal finish	6572/_ _

For further Rockergrid items please see page 101-104



Available in Satin Chrome (SC), Bronze (BZ), Highly Polished Chrome (HPC), Polished Brass (PB), Stainless Steel (SS), and Polished Stainless Steel (PSS).
 Add suffix to List No. ie 6170 - 1 gang Plate Switch in Bronze = 6170/BZ.
 Products are also available with Black interiors. Add suffix BK to List No. ie 6170 - 1 gang 2 way Plate Switch in Satin Chrome with Black interior = 6170/SCBK.

For technical information please see page 127
 For material specification please see page 123-124



1250W/PB



2250W/SC

250W DIMMER SWITCHES - FLUSH

BS EN 55014-1, BS EN 60669-2-1	PACK	QTY
1 gang Dimmer 250W	1	1250W/ _ _
2 gang Dimmer 250W	1	2250W/ _ _



1400W/PB



2400W/SC

400W DIMMER SWITCHES - FLUSH

BS EN 55014-1, BS EN 60669-2-1	PACK	QTY
1 gang Dimmer 400W	1	1400W/ _ _
2 gang Dimmer 400W	1	2400W/ _ _

DIMMER SWITCHES - LED-5-100W

BS EN 60669-2-1	BS EN 55015	BS EN 61547	BS EN 6100-3-2	BS EN 6100-3-3	ROTARY MODULES	PACK	QTY
					1 gang 2 way 5-100W - Push on/off	5	1100W/ _ _ LED
					2 gang 2 way 5-100W - Push on/off	5	2100W/ _ _ LED

Available in Satin Chrome (SC), Bronze (BZ), Highly Polished Chrome (HPC), Polished Brass (PB), Stainless Steel (SS) and Polished Stainless Steel (PSS).
Add suffix to List No. ie: 2400W – 2 gang 400W in Satin Chrome = 2400W//SC.



4425



4440/BK

GRID DIMMERS

BS EN 55014-1, BS EN 60669-2-1	PACK	QTY
250W White	10	4425
250W Black	10	4425/BK
400W White	10	4440
400W Black	10	4440/BK

For further grid accessories please see page 101-104



4425/BL

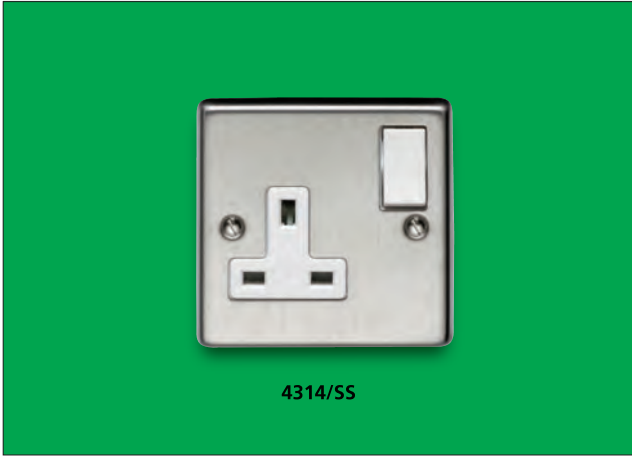


4440/BKBL

ILLUMINATED GRID DIMMERS

BS EN 55014-1, BS EN 60669-2-1	PACK	QTY
250W White	10	4425/BL
250W Black	10	4425/BKBL
400W White	10	4440/BL
400W Black	10	4440/BKBL

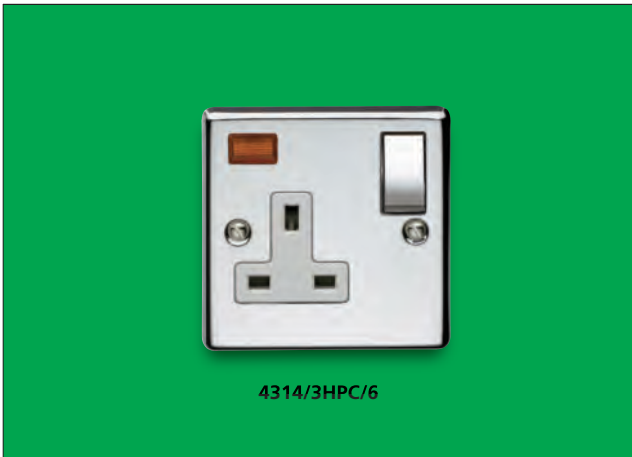
For further grid accessories please see page 101-104



4314/SS

13A 1G FLUSH SOCKET OUTLETS

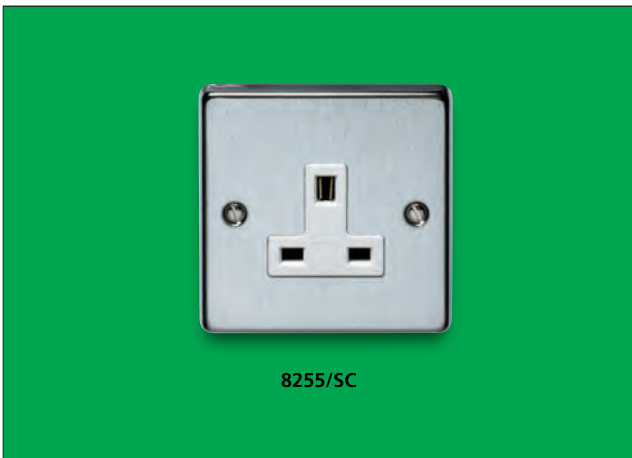
BS 1363-2	PACK QTY	
1 gang SP switched	10	4314/_ _
1 gang DP switched	10	4314/D/_ _
1 gang SP switched fitted with neon indicator	10	4314/3_ _
1 gang DP switched fitted with neon indicator	10	4314/3D/_ _



4314/3HPC/6

13A 1G FLUSH SOCKET OUTLETS WITH METAL ROCKERS

BS 1363-2	PACK QTY	
1 gang SP switched	10	4314/_ _/6
1 gang DP switched	10	4314/D/_ _/6
1 gang SP switched fitted with neon indicator	10	4314/3_ _/6
1 gang DP switched fitted with neon indicator	10	4314/3D/_ _/6



8255/SC

13A 1G UNSWITCHED SOCKET OUTLET

BS 1363-2	PACK QTY	
1 gang unswitched	10	8255/_ _



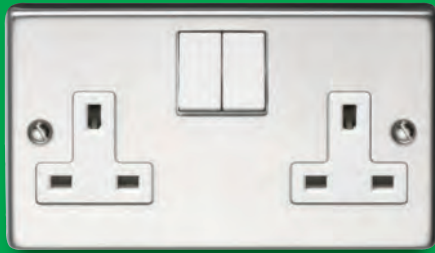
8256/BZ

13A 1G HINGED FLOOR SOCKET

BS 1363-2	PACK QTY	
1 gang unswitched	1	8256/_ _

Available in Satin Chrome (SC), Bronze (BZ), Highly Polished Chrome (HPC), Polished Brass (PB), Stainless Steel (SS) and Polished Stainless Steel (PSS).
 Add suffix to List No. ie: 4314 – 1 gang switch socket in Bronze = 4314/BZ.
 For Black interiors add Suffix BK to List No. ie: 4314/SC 13A 1 gang Switched Socket in Satin Chrome with Black interior = 4314/SCBK.

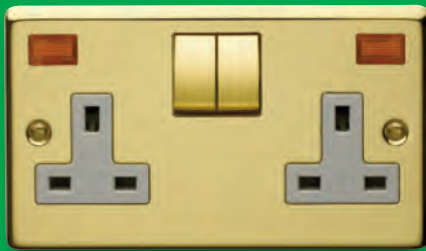
For dimensions please see page 143
 For technical information please see page 110
 For material specification please see page 123-124



4316/SS

13A 2G FLUSH SOCKET OUTLETS

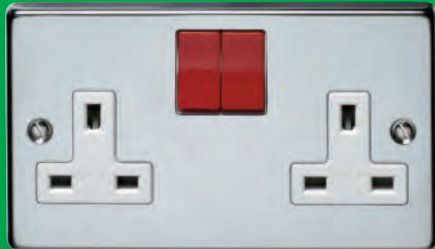
BS 1363-2	PACK QTY
2 gang SP switched	5 4316/ __
2 gang DP switched	5 4316/D/ __
2 gang SP switched fitted with neon indicator	5 4316/3 __
2 gang DP switched fitted with neon indicator	5 4316/3D/ __



4316/3PB/6

13A 2G FLUSH SOCKET OUTLETS WITH METAL ROCKERS

BS 1363-2	PACK QTY
2 gang SP switched	5 4316/ __/6
2 gang DP switched	5 4316/D/ __/6
2 gang SP switched fitted with neon indicator	5 4316/3 __/6
2 gang DP switched fitted with neon indicator	5 4316/3D/ __/6



4316/5C/RD

13A 2G FLUSH SOCKET OUTLET WITH RED ROCKER

BS 1363-2	PACK QTY
2 gang SP switched	5 4316/ __/RD
2 gang DP switched	5 4316/D/ __/RD



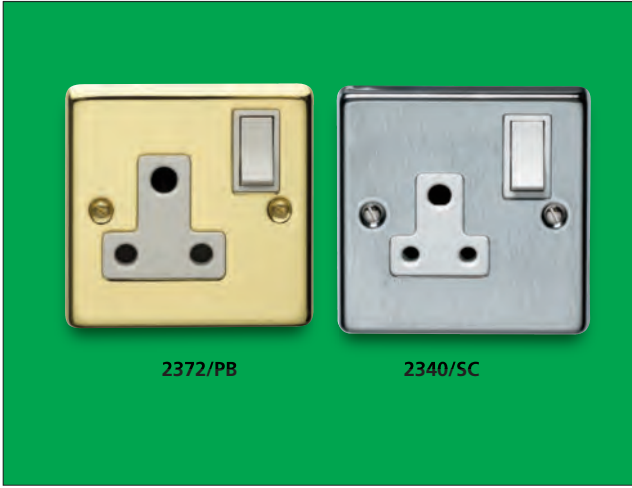
8257/BZ

13A UNSWITCHED SOCKET OUTLET

BS 1363-2	PACK QTY
2 gang unswitched	5 8257/ __

Available in Satin Chrome (SC), Bronze (BZ), Highly Polished Chrome (HPC), Polished Brass (PB), Stainless Steel (SS) and Polished Stainless Steel (PSS).
 Add suffix to List No. ie: 4316 – 2 gang switch socket in Bronze = 4316/BZ.
 For Black interiors add Suffix BK to List No. ie: 4316/SC 13A 2 gang Switched Socket in Satin Chrome with Black interior = 4316/SCBK.

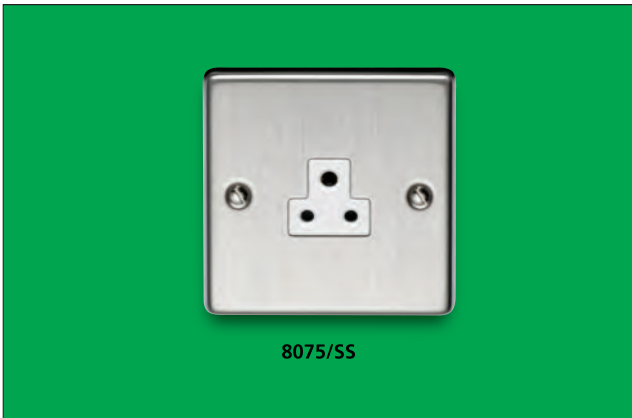
For dimensions please see page 143
 For technical information please see page 110
 For material specification please see page 123-124



5A & 15A 1G SWITCHED FLUSH SOCKET OUTLETS

BS 546	PACK QTY	
5A 3 pin switched socket	10	2340/_ _*
15A 3 pin switched socket	10	2372/_ _

* Available with black inserts, Add suffix **BK** to List No. ie 2340/**SCBK**.



2A 1G UNSWITCHED FLUSH SOCKET OUTLETS

BS 546	PACK QTY	
2A 3 pin unswitched socket	10	8075/_ _

Available in Satin Chrome (**SC**), Bronze (**BZ**), Highly Polished Chrome (**HPC**), Polished Brass (**PB**), Stainless Steel (**SS**) and Polished Stainless Steel (**PSS**)
 Add suffix to List No. ie 2372 – 15A 1 gang 3 pin switched socket in Satin Chrome = 2372/**SC**.



MULTI MEDIA PLATE

	PACK QTY	
Multi Media Plate	1	4318/_ _

The plate comprises 2 Dual Earth, Double pole, twin switched sockets and has provision for up to six Datapak (euro) modules.

Available in Satin Chrome (**SC**), Stainless Steel (**SS**), Polished Brass (**PB**), Highly Polished Chrome (**HPC**) and White (**WH**).
 Add suffix to List No. ie 4318 – Multi Media Plate in White = 4318/**WH**.



4832/BZBK



4832/SS

13A SWITCHED FLUSH FUSED CONNECTION UNITS

BS 1363-4	PACK QTY
DP switched	10 4832/_ _
DP switched with neon indicator	10 4832/3_ _



4837/3PB



4837/3PBBK

13A SWITCHED FLUSH FUSED CONNECTION UNITS WITH CORD OUTLET

BS 1363-4	PACK QTY
DP switched with cord outlet	10 4837/_ _
DP switched with cord outlet and neon indicator	10 4837/3_ _



4832/BZ/6

13A SWITCHED FLUSH FUSED CONNECTION UNITS WITH METAL ROCKER

BS 1363-4	PACK QTY
DP switched	10 4832/_ _/6
DP switched with neon indicator	10 4832/3_ _/6



4837/3SC/6

13A FLUSH FUSED CONNECTION UNITS WITH METAL ROCKER AND CORD OUTLET

BS 1363-4	PACK QTY
DP switched with cord outlet	10 4837/_ _/6
DP switched with cord outlet & neon indicator	10 4837/3_ _/6

Available in Satin Chrome (SC), Bronze (BZ), Highly Polished Chrome (HPC), Polished Brass (PB), Stainless Steel (SS) and Polished Stainless Steel (PSS).
 Add suffix to List No. ie: 4832 – Switched fused connection unit in Satin Chrome = 4832/SC.
 For Black interiors add Suffix BK to List No. ie: 4832/SC Switched fused connection unit in Satin Chrome with Black interior = 4832/SCBK.

For dimensions please see page 143
 For technical information please see page 111
 For material specification please see page 123-124



13A FLUSH FUSED CONNECTION UNITS

BS 1363-4	PACK QTY	
Unswitched	10	4831/ __
Unswitched with neon	10	4831/3 __



13A FLUSH FUSED CONNECTION UNIT WITH CORD OUTLET

BS 1363-4	PACK QTY	
Unswitched with cord outlet	10	4836/ __

Available in Satin Chrome (**SC**), Bronze (**BZ**), Highly Polished Chrome (**HPC**), Polished Brass (**PB**), Stainless Steel (**SS**) and Polished Stainless Steel (**PSS**).
 Add suffix to List No. ie: 4831 – Unswitched fused connection unit in Satin Chrome = 4831/**SC**.
 For Black interiors add Suffix **BK** to List No. ie: 4831/SC Unswitched fused connection unit in Satin Chrome with Black interior = 4831/**SCBK**.

For dimensions please see page 143
 For technical information please see page 111
 For material specification please see page 123-124



4018/SC

3A CARD SWITCH

	PACK QTY
3A Card Switch	5 4018/ __

For technical information please see page 111



6017/HPC

6A TP CONTROL SWITCH

BS EN 60669-1 BS EN 60947-3	PACK QTY
6A Three Pole Isolating switch	10 6017/ __

For technical information please see page 112



4011/BZ



4014/3SC

20A DP CONTROL SWITCHES

BS EN 60669-1	PACK QTY
DP switch	10 4011/ __
DP switch with neon indicator	10 4011/3 __
DP switch with neon indicator marked 'Water Heater'	10 4011/31 __
DP switch with neon indicator and cord outlet	10 4014/3 __

Cord outlet suitable for flexible cord up to 10mm outside diameter.

For technical information please see page 112



4012/3HPC

32A DP CONTROL SWITCH

BS EN 60669-1	PACK QTY
DP switch with neon indicator	10 4012/3 __

For technical information please see page 112

Available in Satin Chrome (SC), Bronze (BZ), Highly Polished Chrome (HPC), Polished Brass (PB), Stainless Steel (SS) and Polished Stainless Steel (PSS).
 Add suffix to List No. ie: 4011 – 20A DP Switch in Bronze = 4011/BZ.
 For Black interiors add Suffix BK to List No. ie: 4011/BZ – 20A DP Switch in Bronze with Black interior = 4011/BZBK.

For dimensions please see page 143
 For material specification please see page 123-124



4522/3SC

45A DP SLIM LINE COOKER CONTROL UNIT

BS 4177 & BS 1363	PACK QTY	
45A DP main switch and 13A Switched socket outlet Faceplate marked 'COOKER'	1	4522/3__

For technical information please see page 113



4512/3PB

50A DP CONTROL SWITCHES

BS EN 60669-1	PACK QTY	
DP switch	5	4512/___
DP switch with neon indicator	5	4512/3___

For dimensions please see page 143
For technical information please see page 113

Available in Satin Chrome (SC), Bronze (BZ), Highly Polished Chrome (HPC), Polished Brass (PB), Stainless Steel (SS), and Polished Stainless Steel (PSS).
Add suffix to List No. ie 4522/3 - Cooker Switch in Bronze = 4522/3BZ.
For Black interiors add suffix BK to List No. ie 4522/3SC - Cooker Control Switch in Satin Chrome with Black interior = 4522/3SCBK.



4506
4507

4506
rear view

45A CABLE OUTLETS

BS 5733	PACK QTY	
With terminals and cable clamp Terminals will accept 2 x 10mm ² cable	10	4506
With cable clamp Cable clamp will accept 1 x 16mm ² through cable	10	4507

For dimensions please see page 140
For technical information please see page 114



4832/SC/HT



4832/3SC/BO



4837/HPC/EF



4011/3SC/DW



4011/SC/TR

PRODUCT MARKING SERVICE

A wide range of markings can be added to 13A fused connection units and double pole control switches. The majority of these markings are consistent in style, colour and position with the standard Tampo-printed 'water heater' marking on List No.4011/31_ _ . All of the markings offer the same high level of durability.

To order any of the markings listed below, add suffix to List No. ie 4832/SC marked 'fridge freezer' = 4832/SC/FF.

MARKING	SUFFIX	MARKING	SUFFIX
air conditioner	AC	cooker hood	HD
alarm	AL	heating	HG
bathroom	BA	hair dryer	HI
bell transformer	BE	heating isolator	HS
bathroom extract fan	BEF	heater	HT
bathroom heater	BH	immersion heater	IH
boiler	BO	kitchen extract fan	KEF
boiler supply	BOS	light	LG
boost	BST	lift	LI
British Telecom	BT	loft light	LL
caravan	CA	microwave	MW
CCTV	CCTV	night immersion	NI
central heating	CH	off peak	OFFP
cooker	CK	outside light	OL
cupboard light	CL	on peak	ONP
convector heater	CNH	oven	OV
day boost	DB	pelmet light	PEL
detector	DE	plinth heater	PLH
downflow heater	DH	refrigerator	RF
door bell	DO	security alarm	SA
dish washer	DW	smoke detector	SD
dryer	DY	security equipment	SE
emergency circuit	EC	shower	SH
extractor fan	EF	security light	SL
extractor hood	EH	shower pump	SP
fire alarm	FA	storage heater	ST
for cleaners use only	FCO	steam cabinet	STC
fan coil unit	FCU	tumble dryer	TD
feature fire	FE	towel rail	TR
fridge/freezer	FF	TV amplifier	TVA
fan heater	FH	underfloor heating	UH
fire	FI	vent fan	VF
fan	FN	water heater	WA
fridge	FR	water cooler	WC
freezer	FZ	waste disposal	WD
gas ignition	GI	washing machine	WM
hand dryer	HA	washer	WS
hob	HB		

These popular markings are offered on a fast track service in the standard wiring accessories colour. For price and delivery information on other markings not listed above, contact our Technical Services Department.



2411/SS

SHAVER SUPPLY UNIT

BS EN 61558-2-5	PACK QTY
240V 50Hz input 115V 50Hz } output 230V 50Hz }	1 2411/_ _

For technical information please see page 114



2167/HPC

METAL CAPPED 50A CEILING SWITCHES

BS EN 60669-1	PACK QTY
1 way DP with neon and mechanical indicator	1 2167/_ _

For technical information please see page 119



6575/PB

6577/SC

BLANKING PLATES

BS 5733 WHERE APPLICABLE	PACK QTY
1 gang	20 6575/_ _
2 gang	20 6577/_ _

Available in Satin Chrome (SC), Bronze (BZ), Highly Polished Chrome (HPC), Polished Brass (PB) Stainless Steel (SS) and Polished Stainless Steel (PSS). Add suffix to List No. ie 2411 – Shaver Supply unit in Satin Chrome = 2411/SC.

For dimensions please see page 143
For material specification please see page 123-124



8283/SS



8284/HPC

TELEPHONE PLATES

BS 7671	PACK QTY	
Telephone Master	10	8283/ _ _
Telephone Secondary	10	8284/ _ _

For technical information please see page 116



8265/SC



8266/BZ

CO-AXIAL SOCKET OUTLETS

BS 3041 WHERE APPLICABLE	PACK QTY	
1 way direct connection	10	8265/ _ _
2 way direct connection	10	8266/ _ _

For technical information please see page 115



8267/HPC



8268/BZ

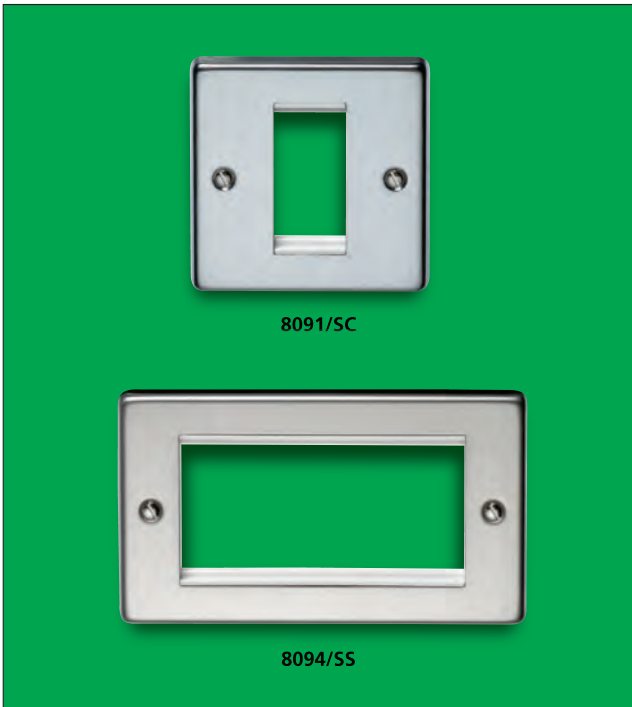
CO-AXIAL SOCKET OUTLETS

BS 3041 WHERE APPLICABLE	PACK QTY	
1 way isolated UHF, VHF	1	8267/ _ _
2 way isolated UHF, VHF	1	8268/ _ _

For technical information please see page 115

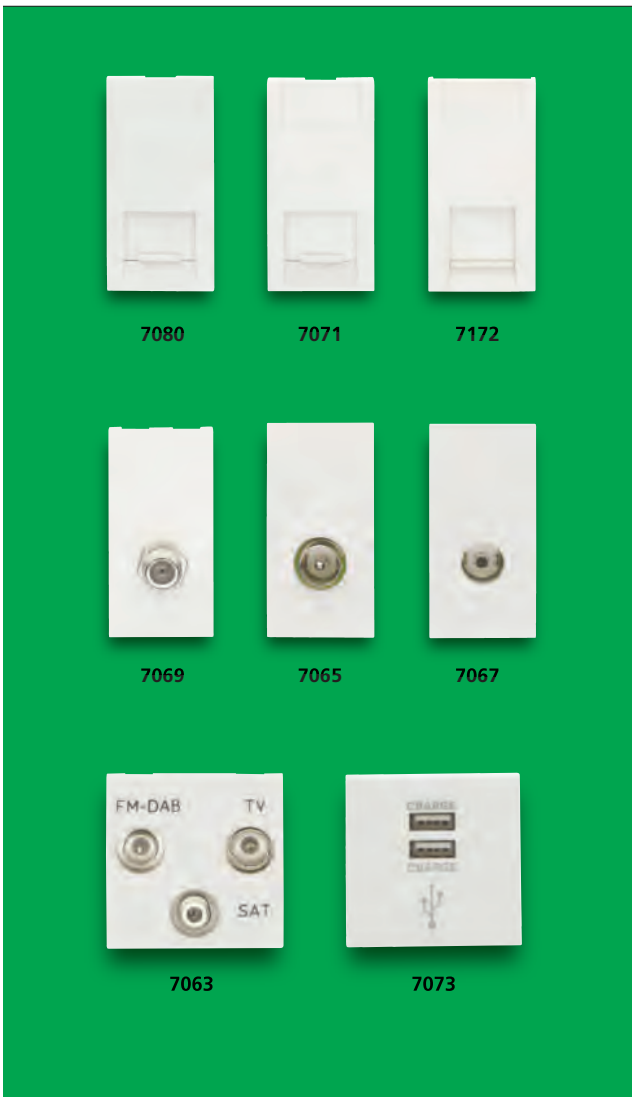
Available in Satin Chrome (SC), Bronze (BZ), Highly Polished Chrome (HPC), Polished Brass (PB) Stainless Steel (SS) and Polished Stainless Steel (PSS).
Add suffix to List No. ie 8265 – Co-axial socket in Bronze = 8265/BZ.

For dimensions please see page 143
For material specification please see page 123-124



COMMUNICATIONS PLATES

BS 5733 WHERE APPLICABLE	PACK QTY	
1 module metal plate (fitted with grid)	5	8091/ _ _
2 module metal plate (fitted with grid)	5	8092/ _ _
4 module metal plate (fitted with grid)	5	8094/ _ _



COMMUNICATION MODULES

	PACK QTY	
BT Master Voice	25	7080
BT Master Voice, Left Handed	25	7080/LH
BT secondary Voice, 6 wire	25	7071
RJ45 (single) module, 8 wire – Category 5e	25	7172

DATA AND CO-AXIAL MODULES

BNC single module with 75 Ohm crimp connector	25	7074
TV outlet (male)	25	7065
TV outlet (female)	25	7067
F type Satellite	25	7069
Triplex Unit (TV, FM, Sat)	25	7063
Quadplexer with TV return (TV, TV Return, FM, Sat 1 & Sat 2)	10	7064*
TV outlet screened, return	25	7060
USB dual 2 x 1A 5V	10	7073
Phono (Female)	25	7087

BLANK MODULES & ACCESSORIES

½ module size	25	7081/2
1 module size	25	7081
IDC Tool	20	6915
IDC Crimp Tool	1	7915

Also available in Black - Add suffix **BK** to List No. ie: triplex unit in Black = 7063/**BK**.

*Not available in Black

For technical information please see page 117

Available in Satin Chrome (**SC**), Bronze (**BZ**), Highly Polished Chrome (**HPC**), Polished Brass (**PB**), Stainless Steel (**SS**) and Polished Stainless Steel (**PSS**)
Add suffix to List No. ie 8091 – 1 module metal plate in Satin Chrome = 8091/**SC**.

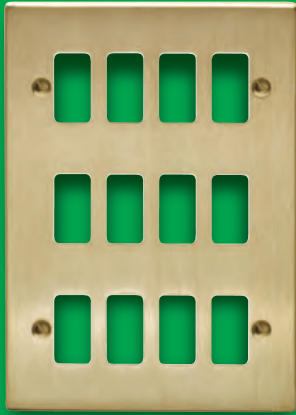
For dimensions please see page 143
For material specification please see page 123-124



6571/SS



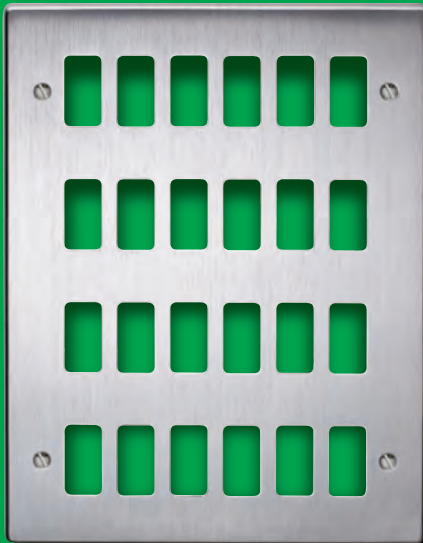
6573/PB



6570/BZ



6578/SC



6570/24SC



6591/PB



6592/SC

FLUSH METAL PLATES

	PACK QTY	
1 gang	20	6571/_ _
1 gang faceplate printed 'water heater'	20	6571/1_ _
2 gang	20	6572/_ _
2 gang faceplate printed 'water heater'	20	6572/1_ _
3 gang	10	6573/_ _
4 gang	10	6574/_ _

FLUSH METAL PLATES

	PACK QTY	
6 gang	1	6576/_ _
8 gang	1	6578/_ _
9 gang	1	6579/_ _
12 gang	1	6570/_ _

FLUSH METAL PLATES

	PACK QTY	
18 gang	1	6570/18_ _
24 gang	1	6570/24_ _

FLUSH METAL PLATES

	PACK QTY	
1 gang architrave complete with grid	10	6591/_ _
2 gang architrave complete with grid	10	6592/_ _

Available in Satin Chrome (SC), Bronze (BZ), Highly Polished Chrome (HPC), Polished Brass (PB) and Polished Stainless Steel (PSS). Add suffix to List No.

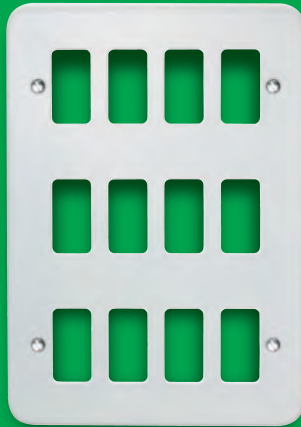
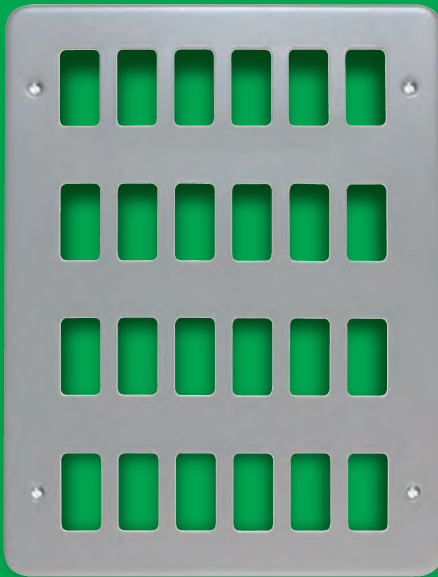
For dimensions please see page 149
For material specification please see page 123-124

SURFACE METALCLAD PLATES

	PACK QTY	
1 gang	20	6581/BG or WH
1 gang faceplate printed 'water heater'	20	6581/1BG or WH
2 gang	20	6582/BG or WH
2 gang faceplate printed 'water heater'	20	6582/1BG or WH
3 gang	10	6583/BG or WH
4 gang	10	6584/BG or WH


6581/BG

6584/WH

6586/BG

6580/WH

6580/24BG
SURFACE METALCLAD PLATES

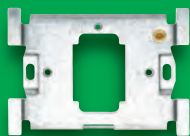
	PACK QTY	
6 gang	1	6586/BG or WH
8 gang	1	6588/BG or WH
9 gang	1	6589/BG or WH
12 gang	1	6580/BG or WH

SURFACE METALCLAD PLATES

	PACK QTY	
18 gang	1	6580/18BG or WH
24 gang	1	6580/24BG or WH

GRIDS

	PACK QTY	
1 gang	20	6901
2 gang	20	6902
3 gang	10	6903
4 gang	10	6904
6 gang	10	6906


6901

6903

For dimensions please see page 150
 For material specification please see page 123-124



10AX SWITCHES – MOULDED ROCKER

BS EN 60669-1	PACK QTY	
1 way SP	10	4430
2 way SP	10	4530
Retractive 10A	10	4489
Retractive – bell symbol 10A	10	4490
Retractive 2 way and off 10A	10	4553



10AX SWITCHES – MOULDED ROCKER

BS EN 60669-1	PACK QTY	
1 way SP	10	4430/BK or RD
2 way SP	10	4530/BK or RD
Retractive – bell symbol 10A	10	4490/BK or RD



10AX SWITCHES – METAL PLATE ROCKER

BS EN 60669-1	PACK QTY	
1 way	10	4430/6_ _
Retractive 10A	10	4489/6_ _
Retractive 2 way and off 10A	10	4553/6_ _
2 way	10	4530/6_ _

Available with Satin Chrome (SC/WH), Bronze (BZ), High Polished Chrome (HPC) Polished Brass (PB) Polished Stainless Steel (PSS) and Stainless Steel (SS/WH) rockers. Add the suffix to List No. eg 4430/6 with Bronze rocker = 4430/6BZ.



GRID DIMMERS

BS EN 60669-2-1, BS EN 55015	PACK QTY	
250W White	10	4425
250W Black	10	4425/BK
400W White	10	4440
400W Black	10	4440/BK

ILLUMINATED GRID DIMMERS

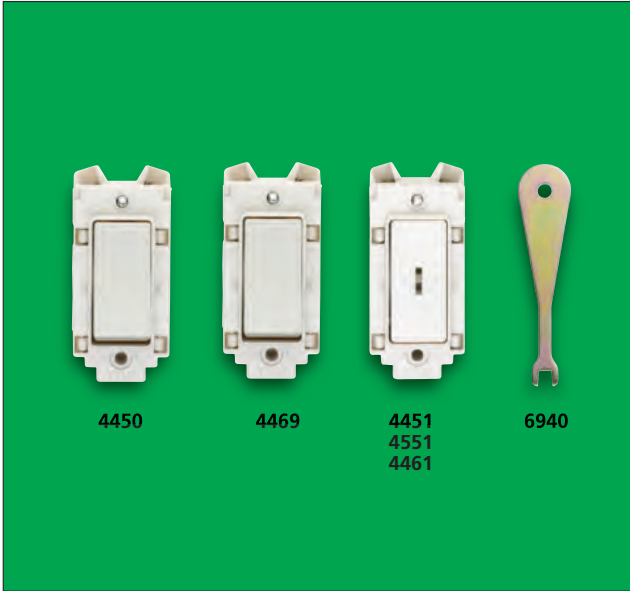
250W White	10	4425/BL
250W Black	10	4425/BKBL
400W White	10	4440/BL
400W Black	10	4440/BKBL



ACCESSORIES – MOULDED

BS 5733 WHERE APPLICABLE	PACK QTY	
Cord outlet – 10mm diameter aperture, complete with earthing terminal and cable clamp	10	4435
Fuse unit fitted with 13A ASTA certified fuse link	10	4436
Indicator – Red	10	4491
Blanking component	10	4492
Indicator – Green	10	4493
Indicator – Amber	10	4494

For material specification please see page 123-124



20AX SWITCHES – MOULDED ROCKER

BS EN 60669-1	PACK QTY	
1 way	10	4450
1 way complete with key	10	4451
1 way with key marked "Emergency Lighting Test"	10	4451/ELT
Double Pole	10	4460
DP complete with key	10	4461
DP with key marked "Emergency Lighting Test"	10	4461/ELT
DP marked 'ON'	10	4469
Intermediate	10	4535
2 way	10	4550
2 way complete with key	10	4551
2 way with key marked "Emergency Lighting Test"	10	4551/ELT
2 way and off	10	4552
Spare key	10	6940



20AX SWITCHES – MOULDED ROCKER

BS EN 60669-1	PACK QTY	
1 way	10	4450/BK or RD
Double Pole	10	4460/RD
Intermediate	10	4535/RD
2 way	10	4550/BK or RD



20AX SWITCHES – METAL PLATE ROCKER

BS EN 60669-1	PACK QTY	
1 way	10	4450/6_ _
Double Pole	10	4460/6_ _
Intermediate	10	4535/6_ _
2 way	10	4550/6_ _
2 way and off	10	4552/6_ _

Available with Satin Chrome (SC/WH), Bronze (BZ), High Polished Chrome (HPC) Polished Brass (PB) Polished Stainless Steel (PSS) and Stainless Steel (SS/WH) rockers. Add the suffix to List No. eg 4430/6 with Bronze rocker = 4430/6BZ.



20AX DOUBLE POLE SWITCH MARKING

"boiler"	4460/BO	"cooker hood"	4460/HD
"dishwasher"	4460/DW	"extractor fan"	4460/EF
"fridge"	4460/FR	"freezer"	4460/FZ
"fridge freezer"	4460/FF	"hob"	4460/HB
"heating system"	4460/HT	"microwave"	4460/MW
"tumble dryer"	4460/TD	"waste disposal"	4460/WD
"washer dryer"	4460/WDR	"washing machine"	4460/WM
"water heater"	4460/WA		

- Can be used with 13A fuse units to build bespoke kitchen/utility room control panel.

All of the above are supplied in pack quantities of 10.

For material specification please see page 123-124



PLATINUM

An extensive range of power, control and lighting accessories, available in a range of high quality metal finishes as either screw-fit flat plate or clip-on screwless low profile plate.

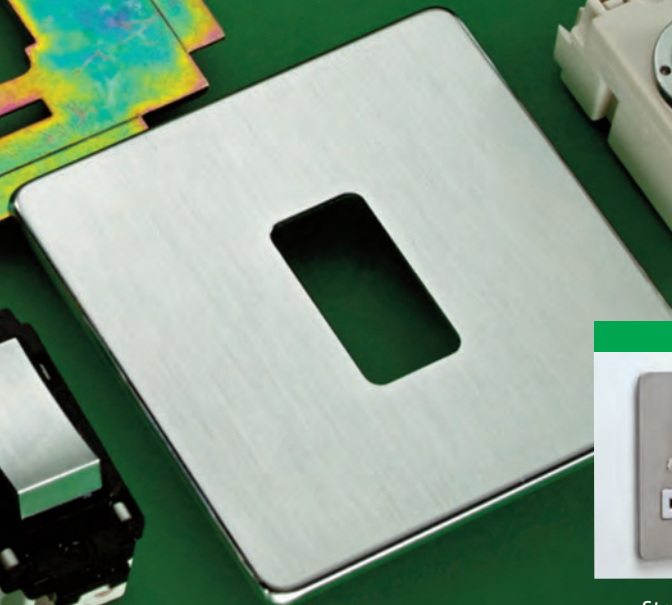
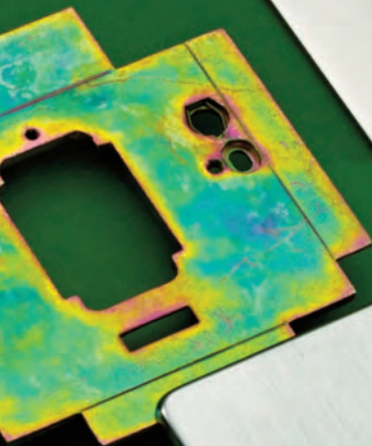
With no compromises between style and function, the Platinum range is slim, stylish and packed with solid Crabtree engineering.



Wide Concave rockers are easy to operate



Positive drive switch action prevents balancing between the 'on' and 'off' position and gives reliable indication of the contact position



FLAT PLATE



Stainless Steel

Polished Stainless Steel

Polished Brass

LOW PROFILE (SCREWLESS)



Satin Chrome

Polished Chrome

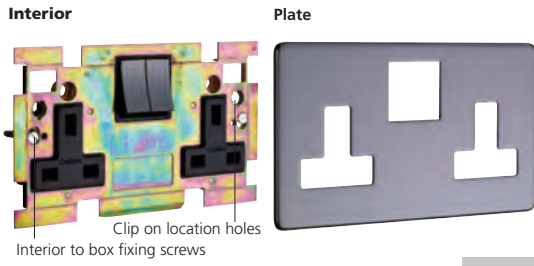
Black Nickel

Polished Brass

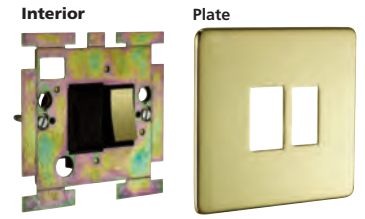
White Moulded

For material specification please see page 123-124

2 GANG SOCKET



FUSED CONNECTION UNIT



Description	WHITE MOULDED				SATIN CHROME			
	Complete Assembly	Interior	Grid	Front Plate	Complete Assembly	Interior	Grid	Front Plate
PLATE SWITCHES								
10AX 1g 2 way switch	7170/WH	-	-	5501/WH	7170/SC	1170/1SC	-	7501/SC
10AX 2g 2 way switch	7172/WH	-	-	5502/WH	7172/SC	1172/1SC	-	7502/SC
10AX 3g 2 way switch	7173/WH	-	-	5503/WH	7173/SC	1173/1SC	-	7503/SC
10AX 1g Intermediate Switch	7175/WH	-	-	5501/WH	7175/SC	1175/1SC	-	7501/SC
10AX 1g Retractive Switch	-	4489	1901	5511/WH	-	1096/1SC	-	7501/SC
10AX 1g Retractive Switch with Bell symbol	-	4490	1901	5511/WH	-	4490/7SC	1901	7711/SC
20AX 1g 2 way grid key switch	-	4551	1901	5511/WH	-	4551/7WH	1901	7711/SC
DIMMERS								
1g 2 way 250W Dimmer	-	-	-	-	7250/D1SC	-	1041/2	7561/SC
2g 2 way 250W Dimmer	-	-	-	-	7250/D2SC	-	1041/2	7562/SC
3g 2 way 250W Dimmer	-	-	-	-	7250/D3SC	-	1043	7563/SC
1g 2 way 400W Dimmer	7400/D1WH	-	-	5561/WH	7400/D1SC	-	1041/2	7561/SC
2g 2 way 400W Dimmer	7400/D2WH	-	-	5562/WH	7400/D2SC	-	1041/2	7562/SC
1g 2 way 5-100W LED Dimmer	-	-	-	-	7100/D1SCLED	-	-	-
1g 1 way 400W Dimmer Remote Control	-	-	-	-	7400/RD1SC	-	-	-
1g 1 way 400W Dimmer Touch Control	-	-	-	-	7400/TD1SC	-	-	-
SOCKETS								
13A 1g DP Switch Socket White Interior	7314/WH	-	-	5504/WH	7314/SC/WH	1314/1SC/WH	-	7504/SC
13A 1g DP Switch Socket Black Interior	-	-	-	-	7314/SC	1314/1SC	-	7504/SC
13A 1g DP Switch Socket with neon White Interior	7314/3WH	-	-	5504/3WH	7314/3SC/WH	1314/13SC/WH	-	7504/3SC
13A 1g DP Switch Socket with neon Black Interior	-	-	-	-	7314/3SC	1314/13SC	-	7504/3SC
13A 2g DP Switch Socket White Interior	7316/WH	-	-	5506/WH	7316/SC/WH	1316/1SC/WH	-	7506/SC
13A 2g DP Switch Socket Black Interior	-	-	-	-	7316/SC	1316/1SC	-	7506/SC
13A 2g DP Switch Socket with neon White Interior	7316/3WH	-	-	5506/3WH	7316/3SC/WH	1316/13SC/WH	-	7506/3SC
13A 2g DP Switch Socket with neon Black Interior	-	-	-	-	7316/3SC	1316/13SC	-	7506/3SC
2A 1g Round Pin Socket White Interior	-	-	-	-	-	1075/1WH	-	7560/SC
2A 1g Round Pin Socket Black Interior	-	-	-	-	-	1075/1	-	7560/SC
5A 1g Round Pin Socket White Interior	7340/WH	-	-	7579/WH	7340/SC/WH	1340/1WH	-	7579/SC
5A 1g Round Pin Socket Black Interior	-	-	-	-	-	1340/1	-	7579/SC
15A Round Pin Switched Socket white interior	7272/WH	-	-	5515/WH	-	1272/1SC/WH	-	7515/SC
15A Round Pin Switched Socket Black interior	-	-	-	-	-	1272/1SC	-	7515/SC
FCU SOCKETS								
13A Switched FCU White Interior	7832/WH	-	-	5508/WH	7832/SC/WH	1832/1SC/WH	-	7508/SC
13A Switched FCU Black Interior	-	-	-	-	7832/SC	1832/1SC	-	7508/SC
13A Switched FCU with neon White Interior	7832/3WH	-	-	5508/3WH	7832/3SC/WH	1832/13SC/WH	-	7508/3SC
13A Switched FCU with neon Black Interior	-	-	-	-	7832/3SC	1832/13SC	-	7508/3SC
13A Switched FCU with cord outlet White Interior	-	-	-	-	-	1837/1SC/WH	-	7533/SC
13A Switched FCU with cord outlet Black Interior	-	-	-	-	-	1837/1SC	-	7533/SC
13A Switched FCU with cord outlet outlet & neon White Interior	-	-	-	-	-	1837/13SC/WH	-	7533/3SC
13A Switched FCU with cord outlet outlet & neon Black Interior	-	-	-	-	-	1837/13SC	-	7533/3SC
13A Unswitched FCU white interior	-	4436	1901	5511/WH	-	4436	1901	7511/SC
13A Unswitched FCU black interior	-	-	-	-	-	4436/BK	1901	7511/SC
CONTROL SWITCHES								
Switch Fan Isolator Sc	7017/WH	-	-	5505/WH	7017/SC	1017/1SC	-	7505/SC
20A DP Low Profile switch SC	7011/WH	-	-	5520/WH	7011/SC	1011/1SC	-	7520/SC
20A DP Low Profile switch+neon SC	7011/3WH	-	-	5520/3WH	7011/3SC	1011/13SC	-	7520/3SC
32A DP Low Profile switch plate SC	7012/WH	-	-	5532/WH	-	1012/1SC	-	7532/SC
32A DP L Pro Swt+neon Plt SC	7012/3WH	-	-	5532/3WH	-	1012/13SC	-	7532/3SC
Switch 45 Amp SC	7015/WH	-	-	5545/WH	7015/SC	1512/1SC	-	7545/SC
Switch 45 Amp With Neon SC 2	7015/3WH	-	-	5545/3WH	7015/3SC	1512/13SC	-	7545/3SC
Switch 45 Amp With Neon SC 2 gang plate	-	-	-	-	7016/3SC	-	-	-
CONTROL SWITCHES								
Cooker Unit White Interior Sc WHITE	7521/WH	-	-	5546/WH	7521/SC/WH	1522/1SC/WH	-	7546/SC
Cooker Unit White Interior Sc BLACK	-	-	-	-	-	1522/1SC	-	7546/SC
Cooker Cont Unit & Neon Sc WHITE	-	-	-	-	7521/3SC/WH	1522/13SC/WH	-	7546/3SC
Cooker Cont Unit & Neon Sc BLACK	-	-	-	-	7521/3SC	1522/13SC	-	7546/3SC
BATHROOM								
Socket Shaver Sc WHITE	7411/WH	-	-	5510/WH	-	1410/1WH	-	7510/SC
Socket Shaver Sc BLACK	-	-	-	-	7411/SC	1410/1	-	7510/SC
1g Low Profile Blank Plt Sc	-	-	1091/1	5575/WH	7775/SC	1091/1	-	7575/SC
2g Low Profile Blank Plt Sc	-	-	1092/1	5577/WH	7777/SC	1092/1	-	7577/SC
COMMUNICATION								
Socket Tv Co-Axial Sc	7765/WH	-	-	5565/WH	7765/SC/WH	-	-	-
Bt Secondary Wh Int Sc WHITE	7783/WH	-	-	5583/WH	7783/SC/WH	-	-	-
Bt Secondary Int Sc BLACK	-	-	-	-	7783/SC	-	-	-
Bt Master Wh Int Sc WHITE	7784/WH	-	-	5583/WH	7784/SC/WH	-	-	-
Bt Master Wh Int Sc BLACK	-	-	-	-	7784/SC	-	-	-

LIGHT SWITCH

Complete Assembly



Interior



Plate



Complete Assembly



HIGHLY POLISHED CHROME				POLISHED BRASS				BLACK NICKEL			
Complete Assembly	Interior	Grid	Front Plate	Complete Assembly	Interior	Grid	Front Plate	Complete Assembly	Interior	Grid	Front Plate
7170/HPC	1170/1HPC	-	7501/HPC	7170/PB	1170/1PB	-	7501/PB	7170/BKN	-	-	-
7172/HPC	1172/1HPC	-	7502/HPC	7172/PB	1172/1PB	-	7502/PB	7172/BKN	-	-	-
7173/HPC	1173/1HPC	-	7503/HPC	7173/PB	1173/1PB	-	7503/PB	7173/BKN	-	-	-
7175/HPC	1175/1HPC	-	7501/HPC	7175/PB	1175/1PB	-	7501/PB	7175/BKN	-	-	-
-	1096/1HPC	-	7501/HPC	-	1096/1PB	-	7501/PB	-	-	-	-
-	4490/7HPC	1901	7711/HPC	-	4490/7PB	1901	7711/PB	-	-	-	-
-	4551/7	1901	7711/HPC	-	4551/7	1901	7711/PB	-	-	-	-
7250/D1HPC	-	1041/2	7561/HPC	7250/D1PB	-	1041/2	7561/PB	7250/D1BKN	-	-	-
7250/D2HPC	-	1041/2	7562/HPC	7250/D2PB	-	1041/2	7562/PB	7250/D2BKN	-	-	-
7250/D3HPC	-	1043	7563/HPC	7250/D3PB	-	1043	7563/PB	7250/D3BKN	-	-	-
7400/D1HPC	-	1041/2	7561/HPC	7400/D1PB	-	1041/2	7561/PB	7400/D1BKN	-	-	-
7400/D2HPC	-	1041/2	7562/HPC	7400/D2PB	-	1041/2	7562/PB	7400/D2BKN	-	-	-
7100/D1HPCLED	-	-	-	7100/D1PBLED	-	-	-	7100/D1BKNLED	-	-	-
7400/RD1HPC	-	-	-	7400/RD1PB	-	-	-	7400/RD1BKN	-	-	-
7400/TD1HPC	-	-	-	7400/TD1PB	-	-	-	7400/TD1BKN	-	-	-
7314/HPC/WH	1314/1HPC/WH	-	7504/HPC	7314/PB/WH	1314/1PB/WH	-	7504/PB	-	-	-	-
7314/HPC	1314/1HPC	-	7504/HPC	7314/PB	1314/1PB	-	7504/PB	7314/BKN	-	-	-
7314/3HPC/WH	1314/13HPC/WH	-	7504/3HPC	7314/3PB/WH	1314/13PB/WH	-	7504/3PB	-	-	-	-
7314/3HPC	1314/13HPC	-	7504/3HPC	7314/3PB	1314/13PB	-	7504/3PB	7314/3BKN	-	-	-
7316/HPC/WH	1316/1HPC/WH	-	7506/HPC	7316/PB/WH	1316/1PB/WH	-	7506/PB	-	-	-	-
7316/HPC	1316/1HPC	-	7506/HPC	7316/PB	1316/1PB	-	7506/PB	7316/BKN	-	-	-
7316/3HPC/WH	1316/13HPC/WH	-	7506/3HPC	7316/3PB/WH	1316/13PB/WH	-	7506/3PB	-	-	-	-
7316/3HPC	1316/13HPC	-	7506/3HPC	7316/3PB	1316/13PB	-	7506/3PB	7316/3BKN	-	-	-
-	1075/1WH	-	7560/HPC	-	1075/1WH	-	7560/PB	-	-	-	-
-	1075/1	-	7560/HPC	-	1075/1	-	7560/PB	-	-	-	-
7340/HPC/WH	1340/1WH	-	7579/HPC	-	1340/1WH	-	7579/PB	-	-	-	-
-	1340/1	-	7579/HPC	7340/PB	1340/1	-	7579/PB	7340/BKN	-	-	-
-	1272/1HPC/WH	-	7515/HPC	-	1272/1PB/WH	-	7515/PB	-	-	-	-
-	1272/1HPC	-	7515/HPC	-	1272/1PB	-	7515/PB	-	-	-	-
7832/HPC/WH	1832/1HPC/WH	-	7508/HPC	7832/PB/WH	1832/1PB/WH	-	7508/PB	-	-	-	-
7832/HPC	1832/1HPC	-	7508/HPC	7832/PB	1832/1PB	-	7508/PB	7832/BKN	-	-	-
7832/3HPC/WH	1832/13HPC/WH	-	7508/3HPC	7832/3PB/WH	1832/13PB/WH	-	7508/3PB	-	-	-	-
7832/3HPC	1832/13HPC	-	7508/3HPC	7832/3PB	1832/13PB	-	7508/3PB	7832/3BKN	-	-	-
-	1837/1HPC/WH	-	7533/HPC	-	1837/1PB/WH	-	7533/PB	-	-	-	-
-	1837/1HPC	-	7533/HPC	-	1837/1PB	-	7533/PB	-	-	-	-
-	1837/13HPC/WH	-	7533/3HPC	-	1837/13PB/WH	-	7533/3PB	-	-	-	-
-	1837/13HPC	-	7533/3HPC	-	1837/13PB	-	7533/3PB	-	-	-	-
-	4436	1901	7511/HPC	-	4436	1901	7511/PB	-	4436	1901	7511/BKN
-	4436/BK	1901	7511/HPC	-	4436/BK	1901	7511/PB	-	4436/BK	1901	7511/BKN
7017/HPC	1017/1HPC	-	7505/HPC	7017/PB	1017/1PB	-	7505/PB	7017/BKN	-	-	-
7011/HPC	1011/1HPC	-	7520/HPC	7011/PB	1011/1PB	-	7520/PB	7011/BKN	-	-	-
7011/3HPC	1011/13HPC	-	7520/3HPC	7011/3PB	1011/13PB	-	7520/3PB	7011/BKN	-	-	-
-	1012/1HPC	-	7532/HPC	-	1012/1PB	-	7532/PB	-	-	-	-
-	1012/13HPC	-	7532/3HPC	-	1012/13PB	-	7532/3PB	-	-	-	-
7015/HPC	1512/1HPC	-	7545/HPC	7015/PB	1512/1PB	-	7545/PB	7015/BKN	-	-	-
7015/3HPC	1512/13HPC	-	7545/3HPC	7015/3PB	1512/13PB	-	7545/3PB	7015/BKN	-	-	-
7016/3HPC	-	-	-	7016/3PB	-	-	-	7016/3BKN	-	-	-
7521/HPC/WH	1522/1HPC/WH	-	7546/HPC	7521/PB/WH	1522/1PB/WH	-	7546/PB	-	-	-	-
-	1522/1HPC	-	7546/HPC	-	1522/1PB	-	7546/PB	7521/BKN	-	-	-
7521/3HPC/WH	1522/13HPC/WH	-	7546/3HPC	7521/3PB/WH	1522/13PB/WH	-	7546/3PB	-	-	-	-
7521/3HPC	1522/13HPC	-	7546/3HPC	7521/3PB	1522/13PB	-	7546/3PB	7521/3BKN	-	-	-
-	1410/1WH	-	7510/HPC	-	1410/1WH	-	7510/PB	-	-	-	-
7411/HPC	1410/1	-	7510/HPC	7411/PB	1410/1	-	7510/PB	7411/BKN	-	-	-
7775/HPC	1091/1	-	7575/HPC	7775/PB	1091/1	-	7575/PB	7775/BKN	-	-	-
7777/HPC	1092/1	-	7577/HPC	7777/PB	1092/1	-	7577/PB	7777/BKN	-	-	-
7765/HPC/WH	-	-	-	7765/PB/WH	-	-	-	7765/BKN	-	-	-
7783/HPC/WH	-	-	-	7783/PB/WH	-	-	-	-	-	-	-
7783/HPC	-	-	-	7783/PB	-	-	-	7783/BKN	-	-	-
7784/HPC/WH	-	-	-	7784/PB/WH	-	-	-	-	-	-	-
7784/HPC	-	-	-	7784/PB	-	-	-	7784/BKN	-	-	-



7170/WH



5501/WH

LIGHT SWITCHES

BS EN60669-1 PACK QTY

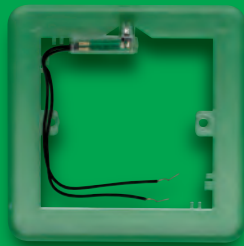
COMPLETE ASSEMBLY

10AX 1 Gang 2 Way plate Switch	1	7170/WH
10AX 2 Gang 2 Way plate Switch	1	7172/WH
10AX 3 Gang 2 Way plate Switch	1	7173/WH
10AX 1 Gang Intermediate plate Switch	1	7175/WH

LIGHT SWITCH PLATES ONLY

10AX 1 Gang plate	20	5501/WH
10AX 2 Gang plate	20	5502/WH
10AX 3 Gang plate	20	5503/WH

For technical information please see page 109



7009

SEEKLIGHT

Seeklight will only illuminate when light control is off on a single pole circuit. On a Double pole circuit the Seeklight will be permanently on. The light is an LED type, which has had a circuit board designed to reduce the pulse effect and give a constant light source. The Seeklight requires a filament type bulb to operate correctly.

PACK QTY

SEEKLIGHT	10	7009
-----------	----	-------------

For technical information please see page 127



7170/WH + 7009



DIMMERS

BS EN55014-1, BS EN60669-2-1 PACK QTY

COMPLETE ASSEMBLY

400W Dimmer 1 Gang 2 Way	1	7400/D1WH
400W Dimmer 2 Gang 2 Way	1	7400/D2WH

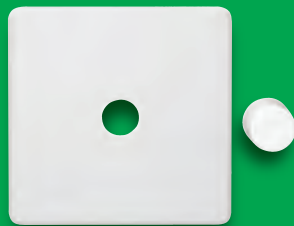
DIMMER PLATES ONLY

1 Gang Dimmer Plate	20	5561/WH
2 Gang Dimmer Plate	20	5562/WH

For technical information please see page 109



7400/D1WH



5561/WH

1 GANG SOCKETS

BS 1363-2 PACK QTY

COMPLETE ASSEMBLY

1 Gang 13A DP Switched Socket twin earth	1	7314/WH
1 Gang 13A DP Switched Socket + neon twin earth	1	7314/3WH

SOCKET PLATES ONLY

1 Gang DP Switched Socket Plate	20	5504/WH
1 Gang DP Switched Socket + neon Plate	20	5504/3WH

For technical information please see page 110



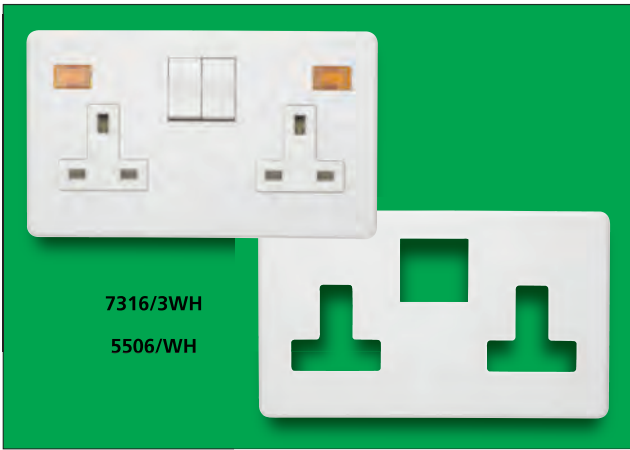
7314/3WH



5504/3WH

For dimensions please see page 144

For material specification please see page 123-124



7316/3WH
5506/WH

2 GANG SOCKETS

BS 1363-2 PACK QTY

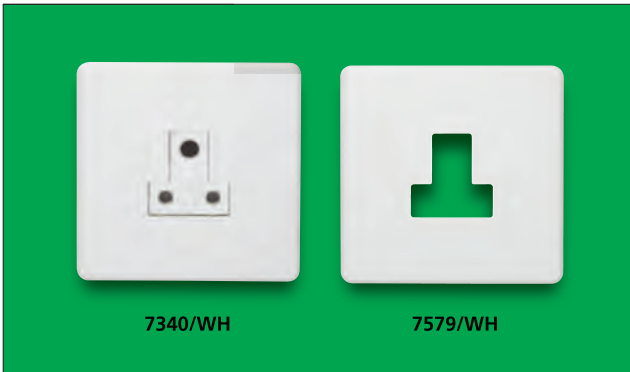
COMPLETE ASSEMBLY

2 Gang 13A DP Switched Socket twin earth	1	7316/WH
2 Gang 13A DP Switched Socket + neon twin earth	1	7316/3WH

SOCKET PLATES ONLY

2 Gang DP Switched Socket Plate	20	5506/WH
2 Gang DP Switched Socket + neon Plate	20	5506/3WH

For technical information please see page 110



7340/WH

7579/WH

1 GANG ROUND PIN SOCKETS

BS 546 PACK QTY

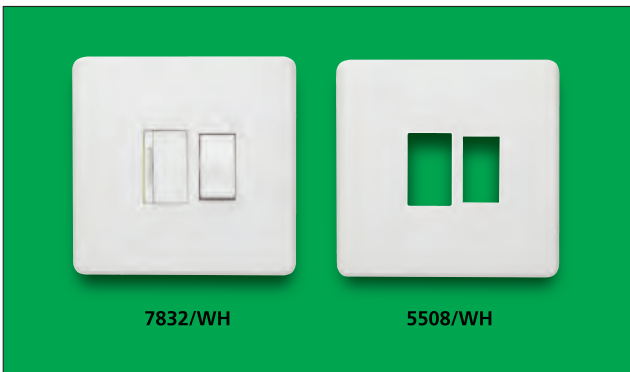
COMPLETE ASSEMBLY

1 Gang 15A Round pin switched Socket	1	7272/WH
1 Gang 5A Round pin Unswitched Socket	1	7340/WH

ROUND PIN SOCKET PLATES ONLY

1 Gang 15A Switched Socket Plate	20	5515/WH
1 Gang 5A Unswitched Socket Plate	20	7579/WH

For technical information please see page 110



7832/WH

5508/WH

FUSED CONNECTION UNIT

BS 1363-4 PACK QTY

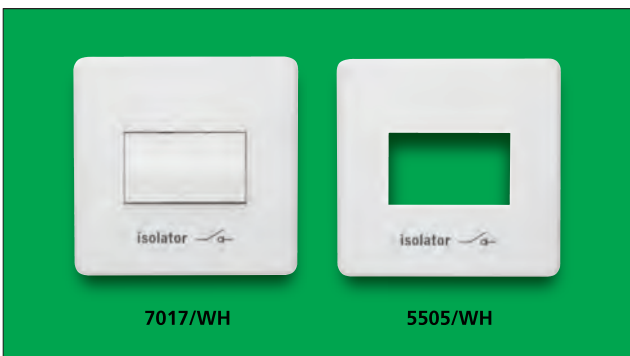
COMPLETE ASSEMBLY

13A DP Switched FCU	1	7832/WH
13A DP Switched FCU + neon	1	7832/3WH

FUSED CONNECTION UNIT PLATES ONLY

13A DP Switched FCU Plate	20	5508/WH
13A DP Switched FCU + neon Plate	20	5508/3WH

For technical information please see page 111



7017/WH

5505/WH

CONTROL SWITCHES

BS EN60669-1, BS EN60947-3 PACK QTY

COMPLETE ASSEMBLY

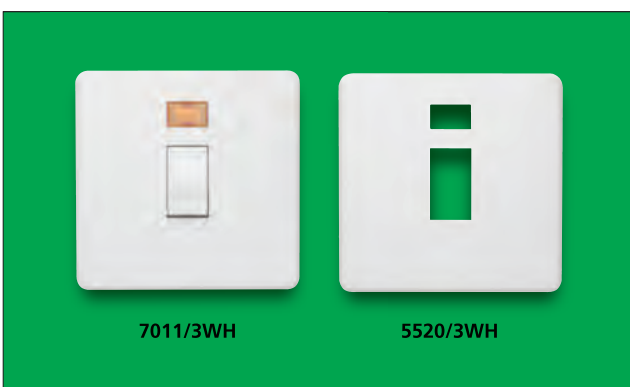
6A TP ISOLATOR SWITCH

6A Three Pole isolating switch marked	1	7017/WH
---------------------------------------	---	----------------

CONTROL SWITCH PLATES ONLY

6AX Three Pole Isolating Switch Plate	20	5505/WH
---------------------------------------	----	----------------

For technical information please see page 112



7011/3WH

5520/3WH

20A DP CONTROL SWITCHES

BS EN60669-1 PACK QTY

COMPLETE ASSEMBLY

20A DP Switch	1	7011/WH
20A DP Switch + neon	1	7011/3WH

CONTROL SWITCH PLATES ONLY

20A DP Switch Plate	20	5520/WH
20A DP Switch + neon Plate	20	5520/3WH

For technical information please see page 112

For dimensions please see page 144

For material specification please see page 123-124



7012/WH



5532/WH

32A DP CONTROL SWITCHES

BS EN60669-1 PACK QTY

COMPLETE ASSEMBLY

32A DP Switch	1	7012/WH
32A DP Switch + neon	1	7012/3WH

CONTROL SWITCH PLATES ONLY

32A DP Switch Plate	20	5532/WH
32A DP Switch + neon Plate	20	5532/3WH

For technical information please see page 112



7015/3WH



5545/3WH

45A DP CONTROL SWITCHES

BS EN60669-1 PACK QTY

COMPLETE ASSEMBLY

45A DP Switch	1	7015/WH
45A DP Switch + neon	1	7015/3WH

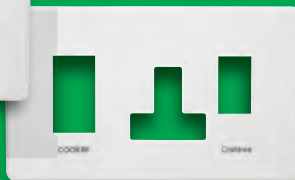
CONTROL SWITCH PLATES ONLY

45A DP Switch Plate	20	5545/WH
45A DP Switch + neon Plate	20	5545/3WH

For technical information please see page 113



7521/WH
5546/WH



45A COOKER CONTROL UNIT

BS 4177 & BS 1363-2 PACK QTY

COMPLETE ASSEMBLY

45A 2 Gang Cooker Control Unit	1	7521/WH
--------------------------------	---	----------------

CONTROL UNIT PLATE ONLY

45A 2 Gang Cooker Control Unit	20	5546/WH
--------------------------------	----	----------------

For technical information please see page 113



7411/WH



5510/WH

DUAL SHAVER SOCKET

BS EN61558-2-5 PACK QTY

COMPLETE ASSEMBLY

Shaver supply unit 240V	1	7411/WH
-------------------------	---	----------------

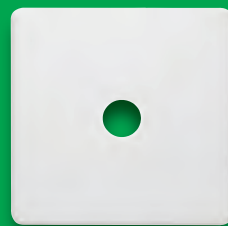
SOCKET PLATE ONLY

Shaver Supply Unit Plate	20	5510/WH
--------------------------	----	----------------

For technical information please see page 114



7765/WH



5565/WH

DATA ACCESSORIES

BS 3041 PACK QTY

COMPLETE ASSEMBLY

Single Co-Axial direct connection	1	7765/WH
-----------------------------------	---	----------------

CO-AXIAL PLATE ONLY

Co-Axial Plate	20	5565/WH
----------------	----	----------------

For technical information please see page 115



7783/WH



5583/WH

TELEPHONE ACCESSORIES

BS 3041 PACK QTY

COMPLETE ASSEMBLY

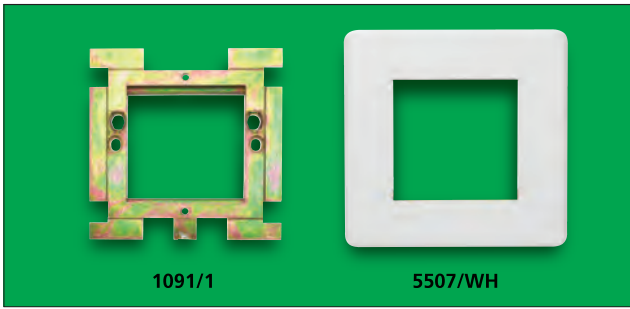
Single BT Secondary	1	7783/WH
Single BT Master	1	7784/WH

TELEPHONE PLATE ONLY

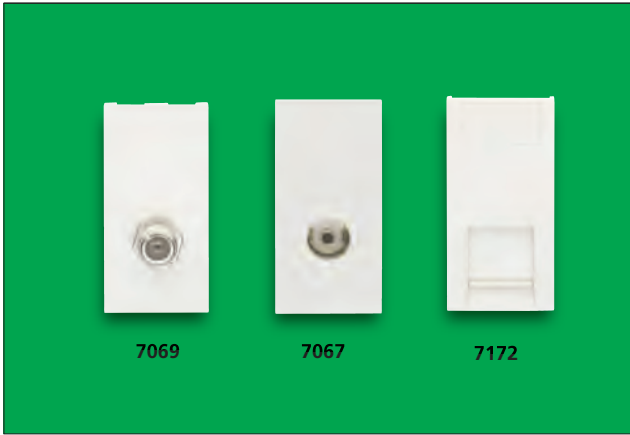
BT Master & Slave Plate	20	5583/WH
-------------------------	----	----------------

For technical information please see page 116

For dimensions please see page 144
For material specification please see page 123-124

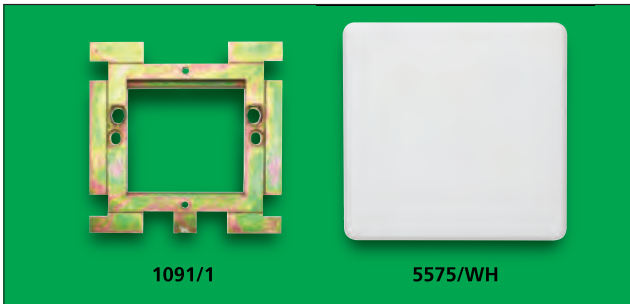

COMMUNICATION PLATE

	PACK QTY	
2 Euro Module 1 Gang Communication Plate	10	1091/1 + 5507/WH
4 Euro Module 2 Gang Communication Plate	10	1092/1 + 5509/WH

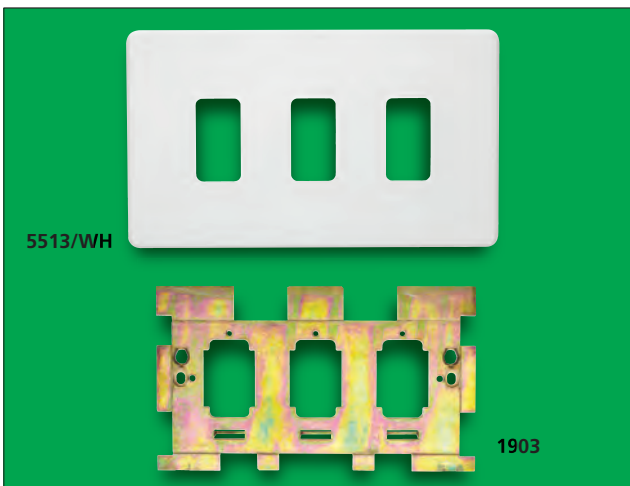

COMMUNICATION MODULES

	PACK QTY	
BT Master Euro Module	10	7080
RJ45 Cat 5e Euro Module	10	7172
TV Outlet (male)	10	7065
TV Outlet (female)	10	7067
F Type Satellite Euro Module	10	7069
Triplex unit (TV, FM, Sat)	10	7063
Blank 1 Module	10	7081
Blank 1/2 Module	10	7081/2

For technical information please see page 117


BLANK PLATES

	PACK QTY	
BS 5733		
1 Gang Blank plate	10	1091/1 + 5575/WH
2 Gang Blank plate	10	1092/1 + 5577/WH


GRID PLATES

	PACK QTY	
1 Gang Plate for Rockergrid	10	5511/WH
2 Gang Plate for Rockergrid	10	5512/WH
3 Gang Plate for Rockergrid	10	5513/WH
4 Gang Plate for Rockergrid	10	5514/WH

GRID YOKES

1 Gang Grid	10	1901
2 Gang Grid	10	1902
3 Gang Grid	10	1903
4 Gang Grid	10	1904


GRID SWITCHES

	PACK QTY	
BS EN60669-1		
Grid Switch 10AX 1 Way	10	4430
Grid Switch 10AX 2 Way	10	4530
Grid Switch 10A Retractive	10	4489
Grid Switch 20AX 1 Way	10	4450
Grid Switch 20AX 2 Way	10	4550
Grid Switch 20AX Double Pole	10	4460
Grid Switch 20AX Intermediate	10	4535

For technical information please see page 116

For dimensions please see page 144

For material specification please see page 123-124



10AX PLATE SWITCH

BS EN 60669-1 PACK QTY

COMPLETE ASSEMBLY

1 gang 2 way	1	7170/ _ _
2 gang 2 way	1	7172/ _ _
3 gang 2 way	1	7173/ _ _
1 gang Intermediate	1	7175/ _ _

INTERIOR & FRONT PLATES ONLY

1 gang 2 way	10	Interior Plate	1170/1 _ _ 7501/ _ _
2 gang 2 way	10	Interior Plate	1172/1 _ _ 7502/ _ _
3 gang 2 way	10	Interior Plate	1173/1 _ _ 7503/ _ _
1 gang 1 way 10A Retractive	10	Interior Plate	1096/1 _ _ 7501/ _ _
1 gang Intermediate	10	Interior Plate	1175/1 _ _ 7501/ _ _

For technical information please see page 109



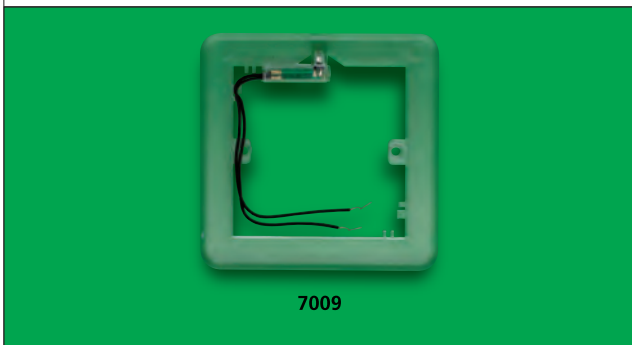
TOGGLE SWITCHES

BS EN 60669-1 PACK QTY

COMPLETE ASSEMBLY

1 gang 2 way	1	7T70/ _ _
2 gang 2 way	1	7T72/ _ _

For technical information please see page 109

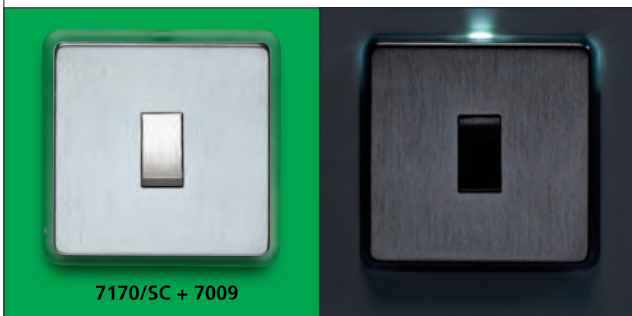


SEEKLIGHT

Seeklight will only illuminate when light control is off on a single pole circuit. On a Double pole circuit the Seeklight will be permanently on. The light is an LED type, which has had a circuit board designed to reduce the pulse effect and give a constant light source. The Seeklight requires a filament type bulb to operate correctly.

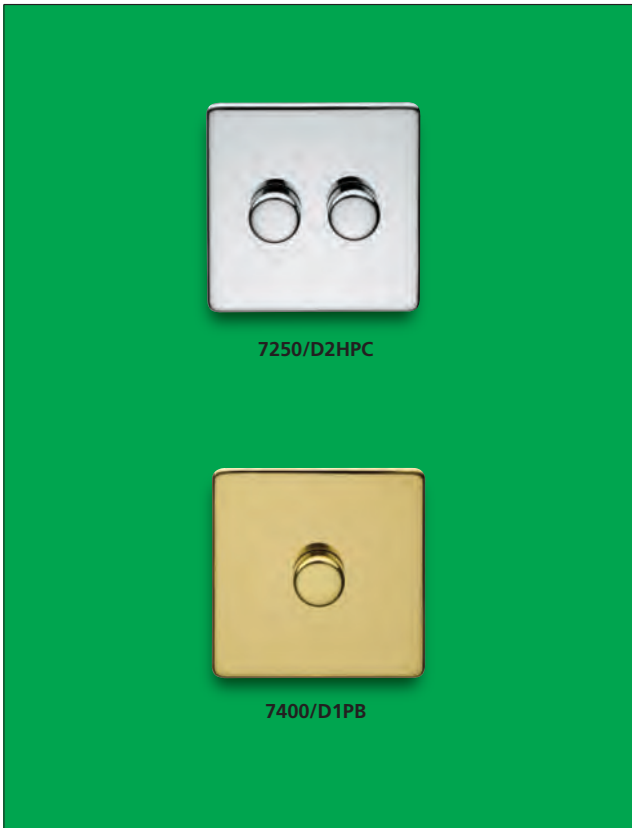
	PACK QTY	
SEEKLIGHT	10	7009

For technical information please see page 127



Indicate the finish you require by adding suffix to List No. Satin Chrome (SC) Highly Polished Chrome (HPC) Polished Brass (PB) and Black Nickel (BKN)

For dimensions please see page 145
For material specification please see page 123-124



DIMMER - ROTARY

250W

BS EN 55014-1, BS EN 60669-2-1 PACK QTY

COMPLETE ASSEMBLY

250W 1 gang 2 way	1	7250/D1_ _
250W 2 gang 2 way	1	7250/D2_ _
250W 3 gang 2 way	1	7250/D3_ _

DIMMER - ROTARY

400W

BS EN 55014-1, BS EN 60669-2-1 PACK QTY

COMPLETE ASSEMBLY

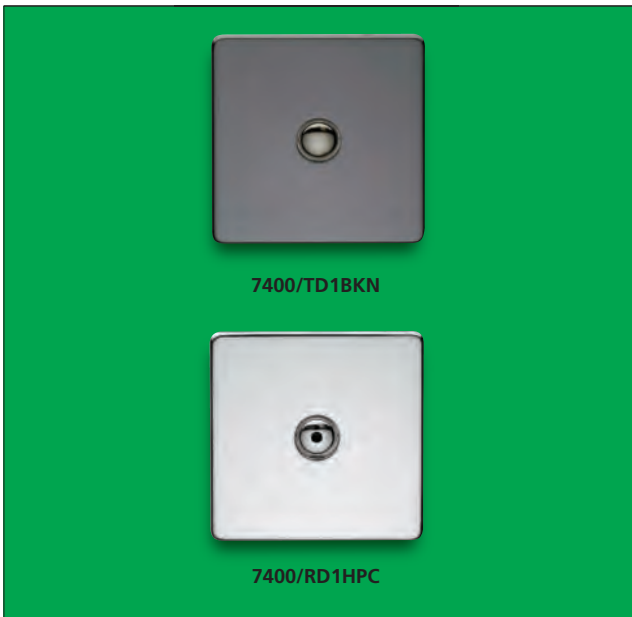
400W 1 gang 2 way	1	7400/D1_ _
400W 2 gang 2 way	1	7400/D2_ _

DIMMER SWITCHES - LED-5-100W

BS EN 60669-2-1 BS EN 55015 BS EN 61547 BS EN 6100-3-2
BS EN 6100-3-3

ROTARY MODULES PACK QTY

1 gang 2 way 5-100W - Push on/off	5	7100/D1_ _LED
-----------------------------------	---	----------------------



DIMMER - TOUCH

BS EN 55015, BS EN 60669-2 PACK QTY

COMPLETE ASSEMBLY

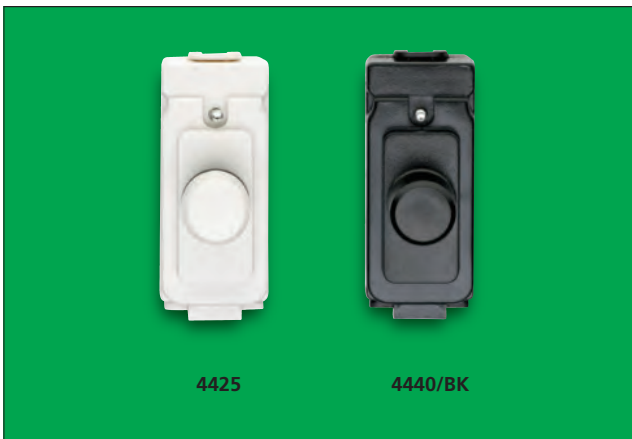
400W 1 gang 1 way	1	7400/TD1_ _
-------------------	---	--------------------

DIMMER - REMOTE

BS EN 55015, BS EN 60669-2 PACK QTY

COMPLETE ASSEMBLY

400W 1 gang 1 way	1	7400/RD1_ _
-------------------	---	--------------------



GRID DIMMERS

BS EN 55014-1, BS EN 60669-2-1 PACK QTY

250W White	10	4425
250W Black	10	4425/BK
400W White	10	4440
400W Black	10	4440/BK

ILLUMINATED GRID DIMMERS

250W White	10	4425/BL
250W Black	10	4425/BKBL
400W White	10	4440/BL
400W Black	10	4440/BKBL

Indicate the finish you require by adding suffix to List No. Satin Chrome (SC) Highly Polished Chrome (HPC) Polished Brass (PB) and Black Nickel (BKN)

For dimensions please see page 145
For technical information please see page 109
For material specification please see page 123-124
For technical information on LED dimmers please contact technical services



7314/SC/WH

13A 1 GANG SWITCHED SOCKET

BS 1363-2 PACK QTY

COMPLETE ASSEMBLY

13A 1 gang DP Switched Socket	1	7314/ _ _
13A 1 gang DP Switched Socket with Neon	1	7314/3 _ _

INTERIOR AND FRONT PLATE ONLY

13A 1 gang DP Switched Socket	10	Interior	1314/1 _ _
	10	Plate	7504/ _ _
13A 1 gang DP Switched Socket with Neon	10	Interior	1314/13 _ _
	10	Plate	7504/3 _ _



7316/3BKN

13A 2 GANG SWITCHED SOCKET

BS 1363-2 PACK QTY

COMPLETE ASSEMBLY

13A 2 gang DP Switched Socket	1	7316/ _ _
13A 2 gang DP Switched Socket with Neons	1	7316/3 _ _

INTERIOR AND FRONT PLATE ONLY

13A 2 gang DP Switched Socket	10	Interior	1316/1 _ _
	10	Plate	7506/ _ _
13A 2 gang DP Switched Socket with Neons	10	Interior	1316/13 _ _
	10	Plate	7506/3 _ _



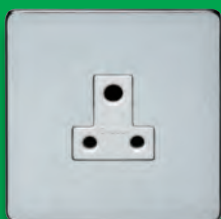
1272/1PB
7515/PB

15A ROUND PIN SWITCHED SOCKET

BS 546 PACK QTY

INTERIOR AND FRONT PLATE ONLY

15A round pin Switched Socket	10	Interior	1272/1 _ _
	10	Plate	7515/ _ _



7340/SC/WH

5A ROUND PIN UNSWITCHED SOCKET

BS 546 PACK QTY

COMPLETE ASSEMBLY

5A round pin unswitched socket	1	7340/ _ _
--------------------------------	---	------------------

INTERIOR AND FRONT PLATE ONLY

5A round pin Unswitched Socket	10	Interior	1340/1*
	10	Plate	7579/ _ _



1075/1
7560/HPC

2A ROUND PIN UNSWITCHED SOCKET

BS 546 PACK QTY

INTERIOR AND FRONT PLATE ONLY

2A round pin unswitched socket	10	Interior	1075/1*
	10	Plate	7560/ _ _

Indicate the finish you require by adding suffix to List No. Satin Chrome with White Insert (**SC/WH**) Highly Polished Chrome with Black Insert (**HPC**) Polished Brass with Black Insert (**PB**) and Black Nickel with Black Insert (**BKN**)

For dimensions please see page 145
For technical information please see page 110
For material specification please see page 123-124



7832/3BKN

13A SWITCHED FUSED CONNECTION UNIT

BS 1363-4		PACK QTY	
COMPLETE ASSEMBLY			
13A DP Switched FCU	1		7832/ __
13A DP Switched FCU with Neon	1		7832/3 __
INTERIOR AND FRONT PLATE ONLY			
13A DP Switched FCU	10	Interior	1832/1 __
	10	Plate	7508/ __
13A DP Switched FCU with Neon	10	Interior	1832/13 __
	10	Plate	7508/3 __

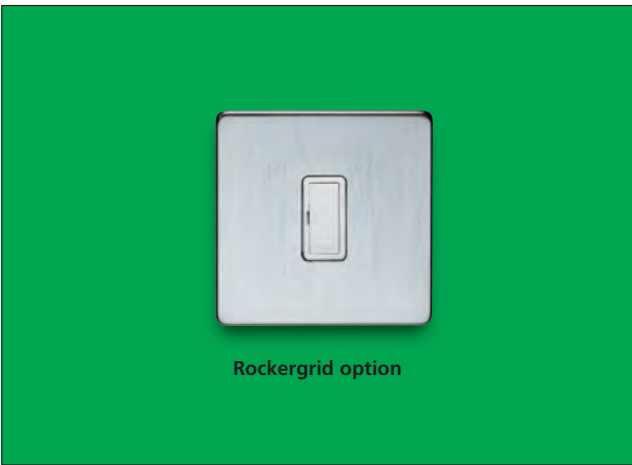


1837/1PB
7533/PB

13A SWITCHED FUSED CONNECTION UNIT COMPLETE WITH CORD OUTLET

BS 1363-4		PACK QTY	
INTERIOR AND FRONT PLATE ONLY			
13A Switched FCU with cord outlet	10	Interior	1837/1 __
	10	Plate	7533/ __
13A Switched FCU with cord outlet with Neon	10	Interior	1837/13 __
	10	Plate	7533/3 __

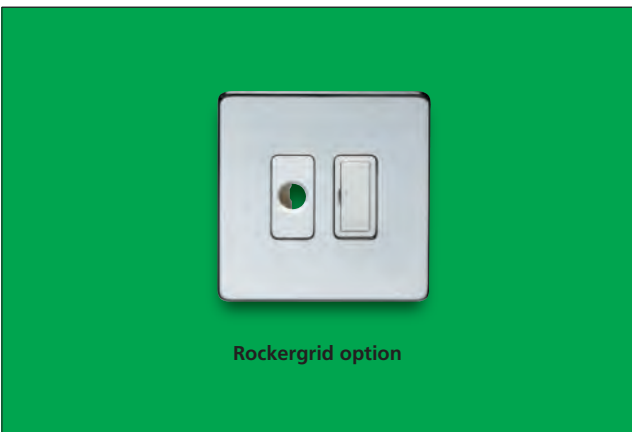
For technical information please see page 111



Rockergrid option

13A UNSWITCHED FUSED CONNECTION UNIT

BS 1363-4		PACK QTY	
USING ROCKERGRID FOR PLATINUM			
13A unswitched fused connection unit	10	Interior	4436
	10	Grid (yoke)	1901
	10	Plate	7511/ __
13A unswitched fused connection unit with Neon	10	Interior	4436
	10	Interior	4494
	10	Grid (yoke)	1902
	10	Plate	7512/ __



Rockergrid option

13A UNSWITCHED FUSED CONNECTION UNIT COMPLETE WITH CORD OUTLET

BS 1363-4		PACK QTY	
USING ROCKERGRID FOR PLATINUM			
13A unswitched fused connection unit with cord outlet	10	Interior	4436
	10	Interior	4435
	10	Grid (yoke)	1902
	10	Plate	7512/ __

For other Rockergrid options please see page 101-102

Indicate the finish you require by adding suffix to List No. Satin Chrome with White Insert (**SC/WH**) Highly Polished Chrome with Black Insert (**HPC**) Polished Brass with Black Insert (**PB**) and Black Nickel with Black Insert (**BKN**)

For dimensions please see page 145
For material specification please see page 123-124



7018/SC

3A CARD SWITCH

BS 5733 PACK QTY

COMPLETE ASSEMBLY

3A card Switch	1	7018/ __
----------------	---	-----------------

For technical information please see page 111



7017/PB

6A TP ISOLATOR SWITCH

BS EN 60947-3, BS EN 60669-1 PACK QTY

COMPLETE ASSEMBLY

6A Triple Pole Fan Isolator Switch	1	7017/ __
------------------------------------	---	-----------------

INTERIOR AND FRONT PLATE ONLY

6A Triple Pole Fan Isolator Switch	10 Interior	1017/1 __
	10 Plate	7505/ __

For technical information please see page 112



7011/3BKN

20A DP CONTROL SWITCH

BS EN 60669-1 PACK QTY

COMPLETE ASSEMBLY

20A DP Control Switch	1	7011/ __
20A DP Control Switch with Neon	1	7011/3 __

INTERIOR AND FRONT PLATE ONLY

20A DP Control Switch	10 Interior	1011/1 __
	10 Plate	7520/ __
20A DP Control Switch with Neon	10 Interior	1011/13 __
	10 Plate	7520/3 __

For technical information please see page 112



1012/1HPC
7532/HPC

32A DP CONTROL SWITCH

BS EN 60669-1 PACK QTY

INTERIOR AND FRONT PLATE ONLY

32A DP Control Switch	10 Interior	1012/1 __
	10 Plate	7532/ __
32A DP Control Switch with Neon	10 Interior	1012/13 __
	10 Plate	7532/3 __

For technical information please see page 112



7016/3PB

7015/SC

45A DP CONTROL SWITCH

BS EN 60669-1 PACK QTY

COMPLETE ASSEMBLY

45A 1 gang DP Control Switch	1	7015/ __
45A 1 gang DP Control Switch with Neon	1	7015/3 __
45A 1 gang DP Control Switch with Neon Mounted on 2 gang vertical plate	1	7016/3 __

INTERIOR AND FRONT PLATE ONLY

45A DP Control Switch (1G size)	10 Interior	1512/1 __
	10 Plate	7545/ __
45A DP Control Switch with Neon (1G size)	10 Interior	1512/13 __
	10 Plate	7545/3 __

For technical information please see page 113

Indicate the finish you require by adding suffix to List No. Satin Chrome (SC) Highly Polished Chrome (HPC) Polished Brass (PB) and Black Nickel (BKN)

For dimensions please see page 145
For material specification please see page 123-124



45A COOKER CONTROL UNIT

BS 4177 & BS1363-2 PACK QTY

COMPLETE ASSEMBLY

45A Cooker Control Unit	1	7521/ __
45A Cooker Control Unit with Neon	1	7521/3 __

INTERIOR AND FRONT PLATE ONLY

45A Cooker control unit	10 Interior	1522/1 __
	10 Plate	7546/ __
45A Cooker control unit with neon	10 Interior	1522/13 __
	10 Plate	7546/3 __

For technical information please see page 113



DUAL SHAVER SOCKET

BS EN 61558-2-5 PACK QTY

COMPLETE ASSEMBLY

Dual Shaver Socket	1	7411/ __
--------------------	---	-----------------

INTERIOR AND FRONT PLATE ONLY

Dual Shaver Socket	10 Interior	1410/1*
	10 Plate	7510/ __

For technical information please see page 114



BLANK PLATES

BS 5733 PACK QTY

COMPLETE ASSEMBLY

Single Blank complete with grid	1	7775/ __
Twin Blank complete with grid	1	7777/ __

INTERIOR AND FRONT PLATE ONLY

1 gang Blank Plate	10 Grid	1091/1
	10 Plate	7575/ __
2 gang Blank Plate	10 Grid	1092/1
	10 Plate	7577/ __

Indicate the finish you require by adding suffix to List No. Satin Chrome with White Insert (**SC/WH**) Highly Polished Chrome with Black Insert (**HPC**) Polished Brass with Black Insert (**PB**) and Black Nickel with Black Insert (**BKN**)

For dimensions please see page 145
For material specification please see page 123-124



COMMUNICATION ACCESSORIES

BS 3041	PACK QTY	
COMPLETE ASSEMBLY		
Single Co-axial	1	7765/ _ _

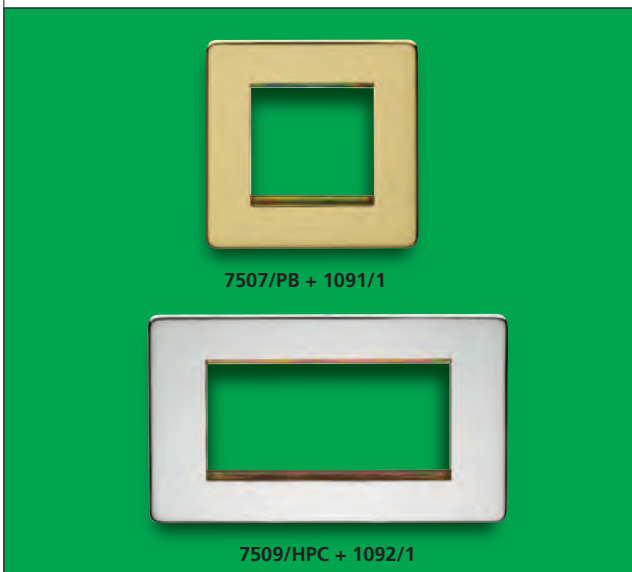
For technical information please see page 115



COMMUNICATION ACCESSORIES

BS 7671	PACK QTY	
COMPLETE ASSEMBLY		
BT Secondary Socket	1	7783/ _ _
BT Master Socket	1	7784/ _ _

For technical information please see page 116



COMMUNICATION PLATES

	PACK QTY		
1 gang Communication Module Frame	10	Grid	1091/1
	10	Plate	7507/ _ _
2 gang Communication Module Frame	10	Grid	1092/1
	10	Plate	7509/ _ _

Indicate the finish you require by adding suffix to List No. Satin Chrome with White Insert (**SC/WH**) Highly Polished Chrome with Black Insert (**HPC**) Polished Brass with Black Insert (**PB**) and Black Nickel with Black Insert (**BKN**)



COMMUNICATION MODULES

	PACK QTY	
BT Master Voice	25	7080
BT secondary Voice, 6 wire	25	7071
RJ45 (single) module, 8 wire – Category 5e	25	7172
RJ45 ISDN terminated	25	7174

DATA AND CO-AXIAL MODULES

TV outlet (male)	25	7065
TV outlet (female)	25	7067
F type Satellite	25	7069
Triplex Unit (TV, FM, Sat)	25	7063
Quadplexer (TV, FM, Sat 1, Sat 2)	10	7066
TV outlet screened, return	25	7060
USB dual 2 x 1A 5V	10	7073
Phono (Female)	25	7087

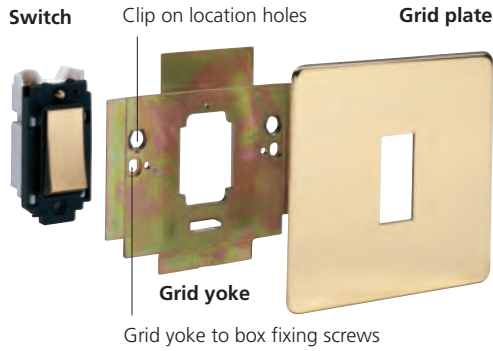
BLANK MODULES & ACCESSORIES

½ module size	25	7081/2
1 module size	25	7081

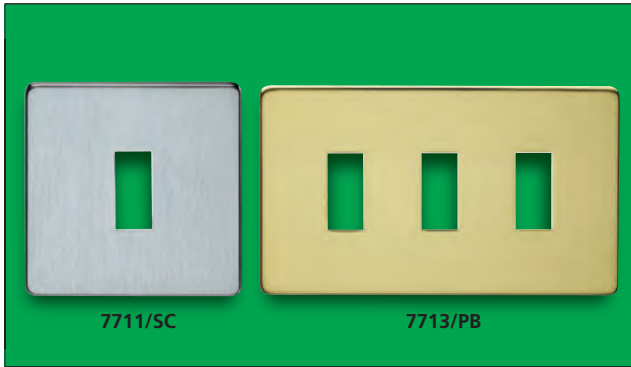
Also available in Black - Add suffix **BK** to List No. ie: USB unit in Black = **7073/BK**
For technical information please see page 117

For dimensions please see page 145
For material specification please see page 123-124

PLATINUM GRID



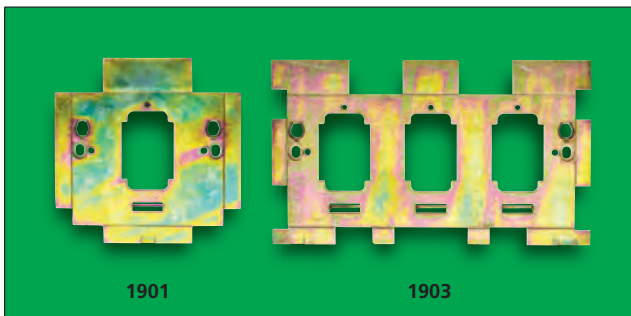
Complete Assembly



GRID PLATES - LOW PROFILE

	PACK QTY	
Plate for 1 gang grid	20	7711/_ _
Plate for 2 gang grid	20	7712/_ _
Plate for 3 gang grid	10	7713/_ _
Plate for 4 gang grid	10	7714/_ _
Plate for 6 gang grid	10	7716/_ _
Plate for 8 gang grid	10	7718/_ _

Available in Satin Chrome (SC), Polished Brass (PB) and Highly Polished Chrome (HPC)



GRID YOKES

	PACK QTY	
1 gang Yoke	10	1901
2 gang Yoke	10	1902
3 gang Yoke	10	1903
4 gang Yoke	10	1904
6 gang Yoke	10	1906
8 gang Yoke	10	1908



GRID SWITCHES - NO OUTER TRIM

BS EN 60669-1	PACK QTY	
10AX 1 way	10	4430/7_ _
10AX 2 way	10	4530/7_ _
10A Retractive	10	4489/7_ _
10A Retractive-Bell symbol	10	4490/7_ _
10A Retractive 2 way and Off	10	4553/7_ _
20AX 1 way	10	4450/7_ _
20AX 2 way	10	4550/7_ _
20AX Double Pole	10	4460/7_ _
20AX Intermediate	10	4535/7_ _
20AX 2 way & Off	10	4552/7_ _

Available in Satin Chrome (SC), Highly Polished Chrome (HPC), Polished Brass (PB).
Installation Box depth 35mm

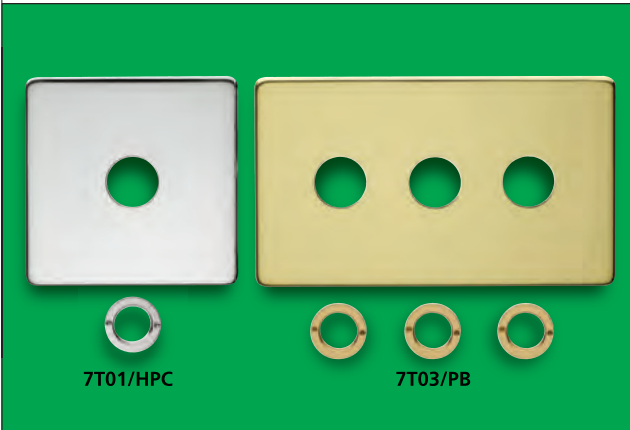
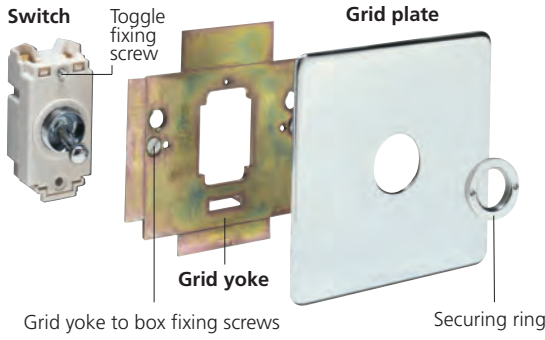
GRID KEY SWITCHES - NO OUTER TRIM

BS EN 60669-1	PACK QTY	
20AX 1 way Grid Key Switch	10	4451/7/WH *
20AX 2 way Grid Key Switch	10	4551/7/WH *
20AX DP 1 way Grid Key Switch	10	4461/7/WH *

* For Key Switches marked 'Emergency Light Test' Please add 'ELT' to the List No. eg. **4451/7/WH/ELT**
 • For Key Switches with a black front moulding, please remove the /WH from the List No. eg. **4451/7**.

For dimensions please see page 145
 For material specification please see page 123-124

LOW PROFILE TOGGLE SWITCHES AND PLATES

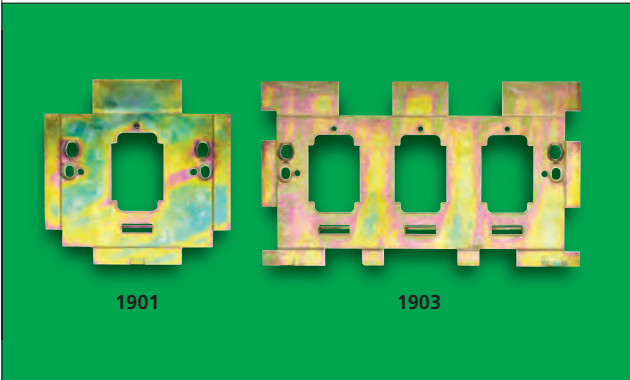


TOGGLE PLATES-LOW PROFILE

	PACK QTY
Plate for 1 gang grid	7T01/ __
Plate for 2 gang grid	7T02/ __
Plate for 3 gang grid	7T03/ __
Plate for 4 gang grid	7T04/ __

Available in Satin Chrome (**SC**), Polished Brass (**PB**) and Highly Polished Chrome (**HPC**)

All plates come complete with toggle securing ring in appropriate finish



GRID YOKES

	PACK QTY
1 gang Yoke	1901
2 gang Yoke	1902
3 gang Yoke	1903
4 gang Yoke	1904



TOGGLE SWITCHES

BS EN 60669-1	PACK QTY
10AX 2 way Single Pole	5430/ __
20AX 2 way Single Pole	5550/ __
20AX 2 way and off Single Pole	5552/ __

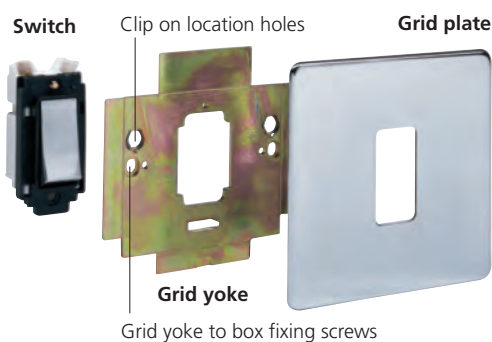
Available in Satin Chrome (**SC**), Highly Polished Chrome (**HPC**), Polished Brass (**PB**)

Installation Box depth 35mm

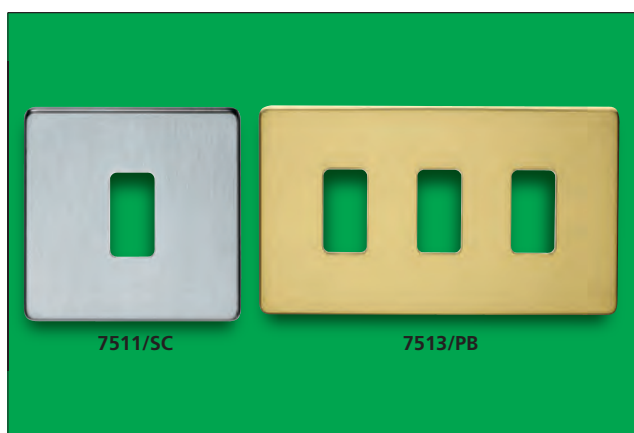
One fixing key supplied per pack of 10

For dimensions please see page 145
For material specification please see page 123-124

ROCKERGRID FOR PLATINUM RANGE



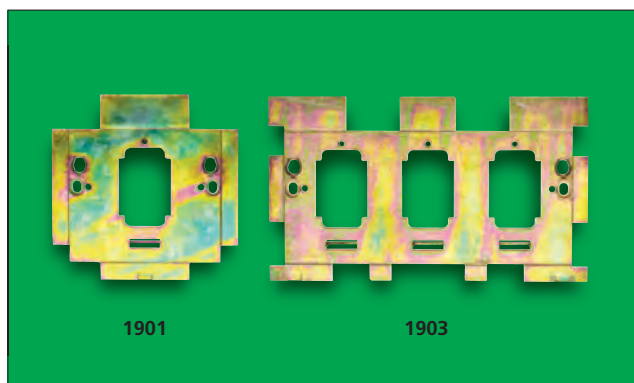
Complete Assembly



GRID PLATES - LOW PROFILE

	PACK QTY	
Plate for 1 gang grid	10	7511/_ _
Plate for 2 gang grid	10	7512/_ _
Plate for 3 gang grid	10	7513/_ _
Plate for 4 gang grid	10	7514/_ _
Plate for 6 gang grid	10	7516/_ _
Plate for 8 gang grid	10	7518/_ _

Available in Satin Chrome (SC), Polished Brass (PB) and Highly Polished Chrome (HPC)



GRID YOKES

	PACK QTY	
1 gang Yoke	10	1901
2 gang Yoke	10	1902
3 gang Yoke	10	1903
4 gang Yoke	10	1904
6 gang Yoke	10	1906
8 gang Yoke	10	1908



GRID SWITCHES 10AX

BS EN 60669-1	PACK QTY	
10AX 1 way	10	4430/6_ _
10AX 2 way	10	4530/6_ _
10A Retractive	10	4489/6_ _

GRID SWITCHES 20AX

BS EN 60669-1	PACK QTY	
20AX 1 way	10	4450/6_ _
20AX 2 way	10	4550/6_ _
20AX double Pole	10	4460/6_ _
20AX intermediate	10	4535/6_ _
20A 2 way & Off	10	4552/6_ _

Available in Satin Chrome (SC/WH), Highly Polished Chrome (HPC), and Polished Brass (PB).

Installation Box depth 35mm

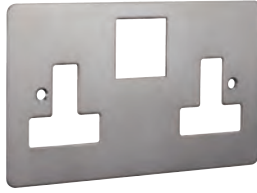
The full range of Rockergrid items are shown on pages 101-102 and will fit onto all the above plates.

2 GANG SOCKET

Interior



Plate

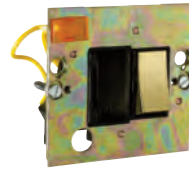


Complete Assembly



FUSED CONNECTION UNIT

Interior



Plate



Description	POLISHED BRASS			
	Complete Assembly	Interior	Grid	Front Plate
PLATE SWITCHES				
10AX 1g 2 way switch	8170/PB	1170/1PB	-	8501/PB
10AX 2g 2 way switch	8172/PB	1172/1PB	-	8502/PB
10AX 3g 2 way switch	8173/PB	1173/1PB	-	8503/PB
10A 1g Retractive switch	-	4489/7PB	1901	8711/PB
10AX 1g Intermediate Switch	-	1096/1PB	-	8501/PB
10AX 1g Retractive Switch with Bell symbol	-	4490/7PB	1901	8711/PB
20AX 1g 2 way grid key switch	-	4451/7	1901	8711/PB
DIMMERS				
1g 250W Polished Brass Dimmer	8250/D1PB	-	-	-
2g 250W Polished Brass Dimmer	8250/D2PB	-	-	-
1g 400W Polished Brass Dimmer	8400/D1PB	-	-	-
2g 400W Polished Brass Dimmer	8400/D2PB	-	-	-
SOCKETS				
13A 1g DP Switch Socket White Interior	-	1314/1PB/WH	-	8504/PB
13A 1g DP Switch Socket Black Interior	8314/PB	1314/1PB	-	8504/PB
13A 1g DP Switch Socket with neon White Interior	-	1314/13PB/WH	-	8504/3PB
13A 1g DP Switch Socket with neon Black Interior	-	1314/13PB	-	8504/3PB
13A 2g DP Switch Socket White Interior	-	1316/1PB/WH	-	8506/PB
13A 2g DP Switch Socket Black Interior	8316/PB	1316/1PB	-	8506/PB
13A 2g DP Switch Socket with neon White Interior	-	1316/13PB/WH	-	8506/3PB
13A 2g DP Switch Socket with neon Black Interior	-	1316/13PB	-	8506/3PB
2A 1g Round Pin Socket White Interior	-	1075/1WH	-	8560/PB
2A 1g Round Pin Socket Black Interior	-	1075/1	-	8560/PB
5A 1g Round Pin Socket White Interior	-	1340/1WH	-	8579/PB
5A 1g Round Pin Socket Black Interior	-	1340/1	-	8579/PB
15A 1g Round Pin switched socket White Interior	-	1272/1PB/WH	-	8515/PB
15A 1g Round Pin switched socket Black Interior	-	1272/1PB	-	8515/PB
FUSED CONNECTION UNITS				
13A Switched FCU White Interior	-	1832/1PB/WH	-	8508/PB
13A Switched FCU Black Interior	8832/PB	1832/1PB	-	8508/PB
13A Switched FCU with neon White Interior	-	1832/13PB/WH	-	8508/3PB
13A Switched FCU with neon Black Interior	8832/3PB	1832/13PB	-	8508/3PB
13A Switched FCU with cord outlet White Interior	-	1837/1PB/WH	-	8533/PB
13A Switched FCU with cord outlet Black Interior	-	1837/1PB	-	8533/PB
13A Switched FCU with cord outlet & neon White Interior	-	1837/13PB/WH	-	8533/3PB
13A Switched FCU with cord outlet & neon Black Interior	-	1837/13PB	-	8533/3PB
13A Unswitched FCU white interior	-	4436	1901	8511/PB
13A Unswitched FCU black interior	-	4436/BK	1901	8511/PB
13A Unswitched FCU with neon white interior	-	4436 + 4494	1902	8511/PB
13A Unswitched FCU with neon black interior	-	4436/BK + 4494/BK	1902	8511/PB
CONTROL SWITCHES				
6A Tp Isolator flat plate PB	-	1017/1PB	-	8505/PB
20A DP Flat plate switch PB	8011/PB	1011/1PB	-	8520/PB
20A DP Flat plate switch+neon PB	8011/3PB	1011/13PB	-	8520/3PB
32A DP Flat plate switch PB	-	1012/1PB	-	8532/PB
32A DP Flat plate switch+neon PB	-	1012/13PB	-	8532/3PB
45A DP Flat Plate switch PB	-	1512/1PB	-	8545/PB
45A DP Flat plate switch+neon PB	-	1512/13PB	-	8545/3PB
COOKER CONTROL UNITS				
45A Cooker Control Unit PB WHITE	-	1522/1PB/WH	-	8546/PB
45A Cooker Control Unit PB BLACK	-	1522/1PB	-	8546/PB
45A Cooker Control Unit+neon PB WHITE	-	1522/13PB/WH	-	8546/3PB
45A Cooker Control Unit+neon PB BLACK	-	1522/13PB	-	8546/3PB
BATHROOM				
Shaver supply unit flat plate PB WHITE	-	1410/1WH	-	8510/PB
Shaver supply unit flat plate PB BLACK	-	1410/1	-	8510/PB
ACCESSORIES				
1g Communication Plates flat plate PB	-	1091/1	-	8507/PB
2g Communication plates flat plate PB	-	1092/1	-	8509/PB
1g blank plate flat plate PB	-	1091/1	-	8585/PB
2g blank plate flat plate PB	-	1092/1	-	8577/PB

LIGHT SWITCH

Complete Assembly



Interior



Plate



Complete Assembly



POLISHED STAINLESS STEEL				STAINLESS STEEL			
Complete Assembly	Interior	Grid	Front Plate	Complete Assembly	Interior	Grid	Front Plate
8170/PSS	1170/1PSS	-	8501/PSS	8170/SS	1170/1SS	-	8501/SS
8172/PSS	1172/1PSS	-	8502/PSS	8172/SS	1172/1SS	-	8502/SS
8173/PSS	1173/1PSS	-	8503/PSS	8173/SS	1173/1SS	-	8503/SS
-	4489/7PSS	1901	8711/PSS	-	4489/7SS	1901	8711/SS
-	1096/1PSS	-	8501/PSS	-	1096/1SS	-	8501/SS
-	4490/7PSS	1901	8711/PSS	-	4490/7SS	1901	8711/SS
-	4451/7	1901	8711/PSS	-	4451/7/WH	1901	8711/SS
8250/D1PSS	-	-	-	8250/D1SS	-	-	-
8250/D2PSS	-	-	-	8250/D2SS	-	-	-
8400/D1PSS	-	-	-	8400/D1SS	-	-	-
8400/D2PSS	-	-	-	8400/D2SS	-	-	-
-	1314/1PSS/WH	-	8504/PSS	8314/SS/WH	1314/1SS/WH	-	8504/SS
8314/PSS	1314/1PSS	-	8504/PSS	-	1314/1SS	-	8504/SS
-	1314/13PSS/WH	-	8504/3PSS	-	1314/13SS/WH	-	8504/3SS
-	1314/13PSS	-	8504/3PSS	-	1314/13SS	-	8504/3SS
-	1316/1PSS/WH	-	8506/PSS	8316/SS/WH	1316/1SS/WH	-	8506/SS
8316/PSS	1316/1PSS	-	8506/PSS	-	1316/1SS	-	8506/SS
-	1316/13PSS/WH	-	8506/3PSS	-	1316/13SS/WH	-	8506/3SS
-	1316/13PSS	-	8506/3PSS	-	1316/13SS	-	8506/3SS
-	1075/1WH	-	8560/PSS	-	1075/1WH	-	8560/SS
-	1075/1	-	8560/PSS	-	1075/1	-	8560/SS
-	1340/1WH	-	8579/PSS	-	1340/1WH	-	8579/SS
-	1340/1	-	8579/PSS	-	1340/1	-	8579/SS
-	1272/1PSS/WH	-	8515/PSS	-	1272/1SS/WH	-	8515/SS
-	1272/1PSS	-	8515/PSS	-	1272/1SS	-	8515/SS
-	1832/1PSS/WH	-	8508/PSS	8832/SS/WH	1832/1SS/WH	-	8508/SS
8832/PSS	1832/1PSS	-	8508/PSS	-	1832/1SS	-	8508/SS
-	1832/13PSS/WH	-	8508/3PSS	8832/3SS/WH	1832/13SS/WH	-	8508/3SS
8832/3PSS	1832/13PSS	-	8508/3PSS	-	1832/13SS	-	8508/3SS
-	1837/1PSS/WH	-	8533/PSS	-	1837/1SS/WH	-	8533/SS
-	1837/1PSS	-	8533/PSS	-	1837/1SS	-	8533/SS
-	1837/13PSS/WH	-	8533/3PSS	-	1837/13SS/WH	-	8533/3SS
-	1837/13PSS	-	8533/3PSS	-	1837/13SS	-	8533/3SS
-	4436	1901	8511/PSS	-	4436	1901	8511/SS
-	4436/BK	1901	8511/PSS	-	4436/BK	1901	8511/SS
-	4436 + 4494	1902	8511/PSS	-	4436 + 4494	1902	8511/SS
-	4436/BK + 4494/BK	1902	8511/PSS	-	4436/BK + 4494/BK	1902	8511/SS
-	1017/1PSS	-	8505/PSS	-	1017/SS	-	8505/SS
8011/PSS	1011/1PSS	-	8520/PSS	8011/SS	1011/1SS	-	8520/SS
8011/3PSS	1011/13PSS	-	8520/3PSS	8011/3SS	1011/13SS	-	8520/3SS
-	1012/1PSS	-	8532/PSS	-	1012/1SS	-	8532/SS
-	1012/13PSS	-	8532/3PSS	-	1012/13SS	-	8532/3SS
-	1512/1PSS	-	8545/PSS	-	1512/1SS	-	8545/SS
-	1512/13PSS	-	8545/3PSS	-	1512/13SS	-	8545/3SS
-	1522/1PSS/WH	-	8546/PSS	-	1522/1SS/WH	-	8546/SS
-	1522/1PSS	-	8546/PSS	-	1522/1SS	-	8546/SS
-	1522/13PSS/WH	-	8546/3PSS	-	1522/13SS/WH	-	8546/3SS
-	1522/13PSS	-	8546/3PSS	-	1522/13SS	-	8546/3SS
-	1410/1WH	-	8510/PSS	-	1410/1WH	-	8510/SS
-	1410/1	-	8507/PSS	-	1410/1	-	8507/SS
-	1091/1	-	8507/PSS	-	1091/1	-	8507/SS
-	1092/1	-	8509/PSS	-	1092/1	-	8509/SS
-	1091/1	-	8585/PSS	-	1091/1	-	8585/SS
-	1092/1	-	8577/PSS	-	1092/1	-	8577/SS



8170/SS



8173/PB

10AX PLATE SWITCH

BS EN 60669-1

PACK QTY

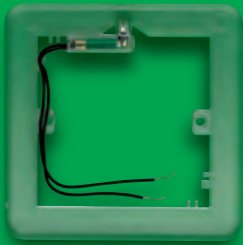
COMPLETE ASSEMBLY

FLAT PLATE

1 gang 2 way	1	8170/ _ _
2 gang 2 way	1	8172/ _ _
3 gang 2 way	1	8173/ _ _

INTERIOR & FRONT PLATES ONLY

1 gang 2 way	10 Interior Plate	1170/1 _ _ 8501/ _ _
1 gang 1 way 10A retractive	10 Interior Plate	1096/1 _ _ 8501/ _ _
2 gang 2 way	10 Interior Plate	1172/1 _ _ 8502/ _ _
3 gang 2 way	10 Interior Plate	1173/1 _ _ 8503/ _ _



7009

SEEKLIGHT

Seeklight will only illuminate when light control is off on a single pole circuit. On a Double pole circuit the Seeklight will be permanently on. The light is an LED type, which has had a circuit board designed to reduce the pulse effect and give a constant light source. The Seeklight requires a filament type bulb to operate correctly.

PACK QTY

SEEKLIGHT	10	7009
-----------	----	-------------

For technical information please see page 127



8170/PSS + 7009





8250/D1PB

**COMPLETE ASSEMBLIES FLAT PLATE
DIMMER-ROTARY**

BS EN 55014-1, BS EN 60669-2-1	PACK QTY	
250W 1 gang	1	8250/D1_ _
250W 2 gang	1	8250/D2_ _



8400/D2SS

**COMPLETE ASSEMBLIES FLAT PLATE
DIMMER-ROTARY**

BS EN 55014-1, BS EN 60669-2-1	PACK QTY	
400W 1 gang	1	8400/D1_ _
400W 2 gang	1	8400/D2_ _



4425

4440/BK

GRID DIMMERS

BS EN 55014-1, BS EN 60669-2-1	PACK QTY	
250W White	10	4425
250W Black	10	4425/BK
400W White	10	4440
400W Black	10	4440/BK

ILLUMINATED GRID DIMMERS

250W White	10	4425/BL
250W Black	10	4425/BKBL
400W White	10	4440/BL
400W Black	10	4440/BKBL

For technical information please see page 109

Indicate the finish you require by adding suffix to List No. Stainless Steel (**SS**) Polished Stainless Steel (**PSS**) and Polished Brass (**PB**)

For dimensions please see page 146
For material specification please see page 123-124



8314/SS/WH

13A 1 GANG SWITCHED SOCKET

BS1363-2 PACK QTY

COMPLETE ASSEMBLY

13A 1 gang DP Switched Socket	1	8314/ __
-------------------------------	---	-----------------

INTERIOR AND FRONT PLATE ONLY

13A 1 gang DP switched socket	10 Interior	1314/1 __
	10 Plate	8504/ __
13A 1 gang DP switched socket with neon	10 Interior	1314/13 __
	10 Plate	8504/3 __



8316/PB

13A 2 GANG SWITCHED SOCKET

BS1363-2 PACK QTY

COMPLETE ASSEMBLY

13A 2 gang DP Switched Socket	1	8316/ __
-------------------------------	---	-----------------

INTERIOR AND FRONT PLATE ONLY

13A 2 gang DP switched socket	10 Interior	1316/1 __
	10 Plate	8506/ __
13A 2 gang DP switched socket with neons	10 Interior	1316/13 __
	10 Plate	8506/3 __



1272/1SS/WH
8515/SS

15A ROUND PIN SWITCHED SOCKET

BS 546 PACK QTY

INTERIOR AND FRONT PLATE ONLY

15A round pin switched socket	10 Interior	1272/1 _
	10 Plate	8515/ __



1340/1
8579/PSS

5A UNSWITCHED SOCKET

BS 546 PACK QTY

INTERIOR AND FRONT PLATE ONLY

5A round pin unswitched socket	10 Interior	1340/1*
	10 Plate	8579/ __



1075/1
8560/PB

2A UNSWITCHED SOCKET

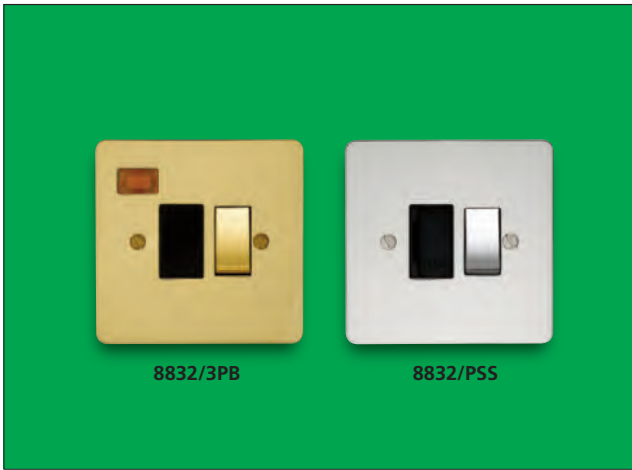
BS 546 PACK QTY

INTERIOR AND FRONT PLATE ONLY

2A round pin unswitched socket	10 Interior	1075/1*
	10 Plate	8560/ __

Indicate the finish you require by adding suffix to List No. Stainless Steel with White Inserts (**SS/WH**) Polished Stainless Steel with Black Inserts (**PSS**) and Polished Brass with Black Inserts (**PB**)

For dimensions please see page 146
For technical information please see page 110
For material specification please see page 123-124



8832/3PB

8832/PSS

13A SWITCHED FUSED CONNECTION UNIT

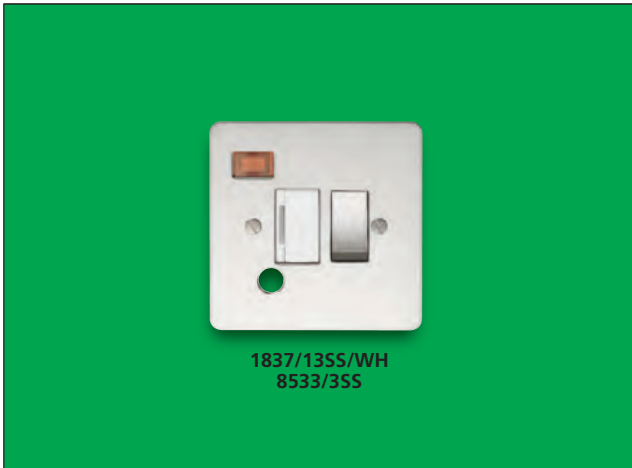
BS1363-4 PACK QTY

COMPLETE ASSEMBLY

13A DP Switched	1	8832/ __
13A DP Switched with Neon	1	8832/3 __

INTERIOR AND FRONT PLATE ONLY

13A DP Switched	10	Interior	1832/1 __
	10	Plate	8508/ __
13A DP Switched with Neon	10	Interior	1832/13 __
	10	Plate	8508/3 __



1837/13SS/WH
8533/3SS

13A SWITCHED FUSED CONNECTION UNIT COMPLETE WITH CORD OUTLET

BS1363-4 PACK QTY

INTERIOR AND FRONT PLATE ONLY

13A switched FCU with cord outlet	10	Interior	1837/1 __
	10	Plate	8533/ __
13A switched FCU with cord outlet & neon	10	Interior	1837/13 __
	10	Plate	8533/3 __



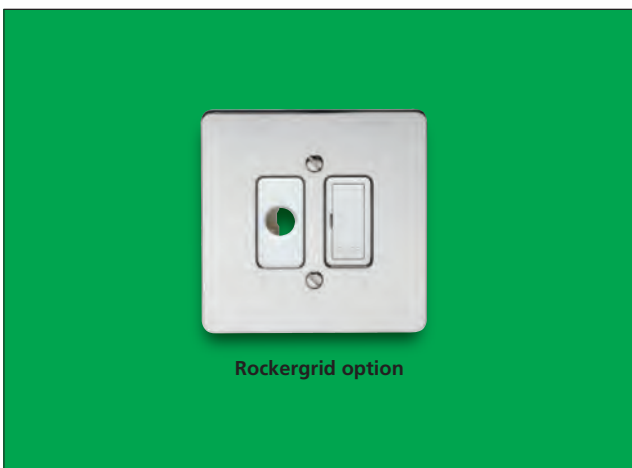
Rockergrid option

13A UNSWITCHED FUSED CONNECTION UNIT

BS1363-4 PACK QTY

USING ROCKERGRID

13A unswitched fused connection unit	10	Interior	4436
	10	Grid (yoke)	1901
	10	Plate	8511/ __
13A unswitched fused connection unit with Neon	10	Interior	4436
	10	Interior	4494
	10	Grid (yoke)	1902
	10	Plate	8512/ __



Rockergrid option

13A UNSWITCHED FUSED CONNECTION UNIT COMPLETE WITH CORD OUTLET

BS1363-4 PACK QTY

USING ROCKERGRID

13A unswitched fused connection unit with cord outlet	10	Interior	4436
	10	Interior	4435
	10	Grid (yoke)	1902
	10	Plate	8512/ __

For other Rockergrid options please see page 87

Indicate the finish you require by adding suffix to List No. Stainless Steel with White Inserts (**SS/WH**) Polished Stainless Steel with Black Inserts (**PSS**) and Polished Brass with Black Inserts (**PB**)

For dimensions please see page 146
For technical information please see page 111
For material specification please see page 123-124



1017/1SS
8505/SS

6A TP ISOLATOR SWITCH

BS EN 60669-1, BS EN 60947-3 PACK QTY

INTERIOR AND FRONT PLATE ONLY

6A triple pole isolator switch	10 Interior	1017/1 _ _
	10 Plate	8505/ _ _

For technical information please see page 112



8011/3PB

20A DP CONTROL SWITCH

BS EN 60669-1 PACK QTY

COMPLETE ASSEMBLY

FLAT PLATE

20A DP Control Switch	1	8011/ _ _
20A DP Control Switch with Neon	1	8011/3 _ _

INTERIOR AND FRONT PLATE ONLY

20A DP Control Switch	10 Interior	1011/1 _ _
	10 Plate	8520/ _ _
20A DP Control Switch with Neon	10 Interior	1011/13 _ _
	10 Plate	8520/3 _ _

For technical information please see page 112



1012/1PSS
8532/PSS

32A DP CONTROL SWITCH

BS EN 60669-1 PACK QTY

INTERIOR AND FRONT PLATE ONLY

32A DP Control Switch	10 Interior	1012/1 _ _
	10 Plate	8532/ _ _
32A DP Control Switch with Neon	10 Interior	1012/13 _ _
	10 Plate	8532/3 _ _

For technical information please see page 112



1512/1SS
8545/SS

45A DP CONTROL SWITCH

BS EN 60669-1 PACK QTY

INTERIOR AND FRONT PLATE ONLY

45A DP Control Switch	10 Interior	1512/1 _ _
	10 Plate	8545/ _ _
45A DP Control Switch with Neon	10 Interior	1512/13 _ _
	10 Plate	8545/3 _ _

For technical information please see page 113

Indicate the finish you require by adding suffix to List No. Stainless Steel (**SS**) Polished Stainless Steel (**PSS**) and Polished Brass (**PB**)

For dimensions please see page 146
For material specification please see page 123-124



45A DP COOKER CONTROL UNIT

BS 4177 & BS 1363-2	PACK QTY	
Cooker control unit	10 Interior	1522/1 _ _
	10 Plate	8546/ _ _
Cooker control unit with neons	10 Interior	1522/13 _ _
	10 Plate	8546/3 _ _

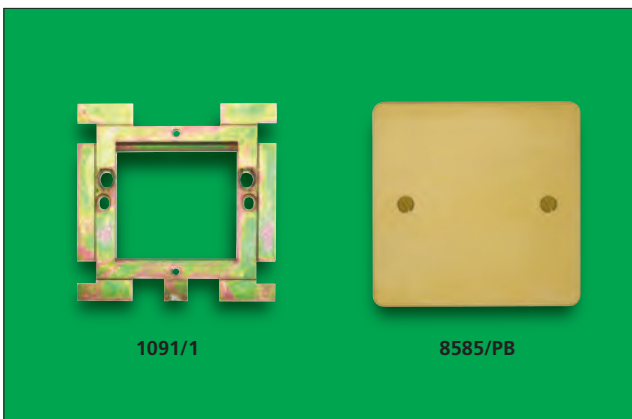
For technical information please see page 113



LOW PROFILE SHAVER SUPPLY UNIT

BS EN 61558-2-5	PACK QTY	
Shaver Supply Unit	10 Interior	1410/1*
	10 Plate	8510/ _ _

For technical information please see page 114



BLANK PLATES

BS 5733	PACK QTY	
1 gang Blank Plate	10 Grid	1091/1
	10 Plate	8585/ _ _
2 gang Blank Plate	10 Grid	1092/1
	10 Plate	8577/ _ _

Indicate the finish you require by adding suffix to List No. Stainless Steel with White Inserts (**SS/WH**) Polished Stainless Steel with Black Inserts (**PSS**) and Polished Brass with Black Inserts (**PB**)

For dimensions please see page 146
For material specification please see page 123-124



COMMUNICATION PLATES

	PACK QTY	
1 gang Communication Module Frame	10	Grid Plate 1091/1
	10	Plate 8507/_ _
2 gang Communication Module Frame	10	Grid Plate 1092/1
	10	Plate 8509/_ _



COMMUNICATION MODULES

	PACK QTY	
BT Master Voice	25	7080
BT secondary Voice, 6 wire	25	7071
RJ45 (single) module, 8 wire – Category 5e	25	7172
RJ45 ISDN terminated	25	7174

DATA AND CO-AXIAL MODULES

TV outlet (male)	25	7065
TV outlet (female)	25	7067
F type Satellite	25	7069
Triplex Unit (TV, FM, Sat)	25	7063
Quadplexer (TV, FM, Sat 1, Sat 2)	10	7066
TV outlet screened, return	25	7060
USB dual 2 x 1A 5V	10	7073
Phono (Female)	25	7087

BLANK MODULES & ACCESSORIES

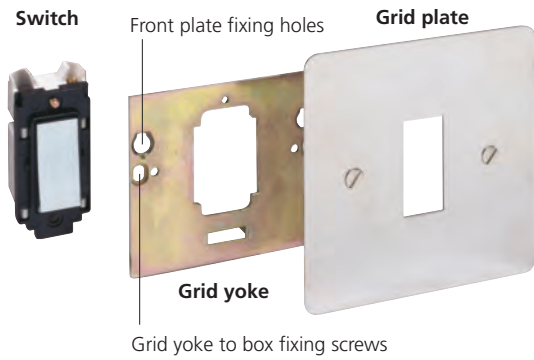
1/2 module size	25	7081/2
1 module size	25	7081

Also available in Black - Add suffix **BK** to List No. ie: USB unit in Black = **7073/BK**
 For technical information please see page 117

Indicate the finish you require by adding suffix to List No. Stainless Steel (**SS**) Polished Stainless Steel (**PSS**) and Polished Brass (**PB**)

For dimensions please see page 146
 For material specification please see page 123-124

PLATINUM GRID



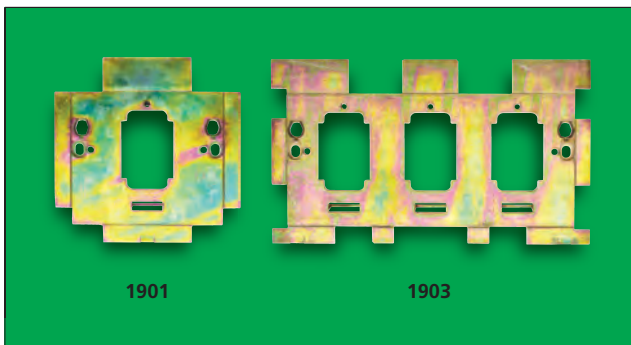
Complete Assembly



GRID PLATE - FLAT PLATE

	PACK	QTY	
Plate for 1 gang grid	10		8711/ __
Plate for 2 gang grid	10		8712/ __
Plate for 3 gang grid	10		8713/ __
Plate for 4 gang grid	10		8714/ __
Plate for 6 gang grid	10		8716/ __
Plate for 8 gang grid	10		8718/ __

Available in Stainless Steel (SS), Polished Brass (PB) and Polished Stainless Steel (PSS)



GRID YOKES

	PACK	QTY	
1 gang Yoke	10		1901
2 gang Yoke	10		1902
3 gang Yoke	10		1903
4 gang Yoke	10		1904
6 gang Yoke	10		1906
8 gang Yoke	10		1908

When mounting grid yokes for use with the flat plate remove the outer fixing ears



GRID SWITCHES - NO OUTER TRIM

BS EN 60669-1	PACK	QTY	
10AX 1 way	10		4430/7 __
10AX 2 way	10		4530/7 __
10A Retractive	10		4489/7 __
10A Retractive-Bell symbol	10		4490/7 __
10A Retractive 2 way and Off	10		4553/7 __
20AX 1 way	10		4450/7 __
20AX 2 way	10		4550/7 __
20AX Double Pole	10		4460/7 __
20AX Intermediate	10		4535/7 __
20AX 2 way & Off	10		4552/7 __

Available in Polished Brass (PB), Stainless Steel (SS), and Polished Stainless Steel (PSS)

Installation Box depth 35mm

GRID KEY SWITCHES - NO OUTER TRIM

BS EN 60669-1	PACK	QTY	
20AX 1 way Grid Key Switch	10		4451/7/WH*
20AX 2 way Grid Key Switch	10		4551/7/WH*
20AX DP 1 way Grid Key Switch	10		4461/7/WH*

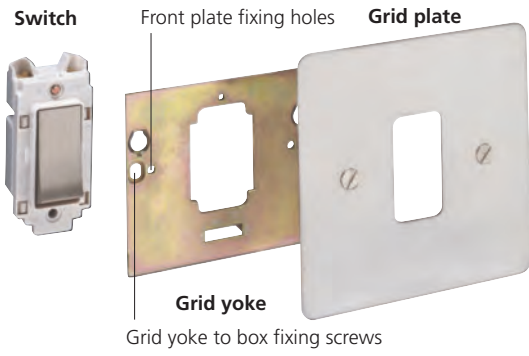
* For Key Switches marked 'Emergency Light Test' Please add 'ELT' to the List No. eg. **4451/7/WH/ELT**

• For Key Switches with a black front moulding, please remove the /WH from the List No. eg. **4451/7**.

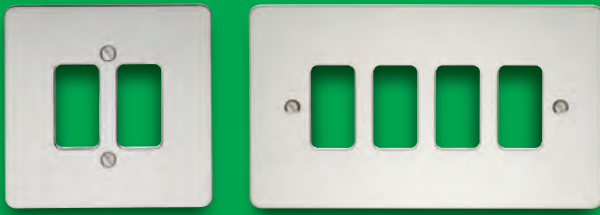
For dimensions please see page 146

For material specification please see page 123-124

ROCKERGRID FOR PLATINUM RANGE



Complete Assembly



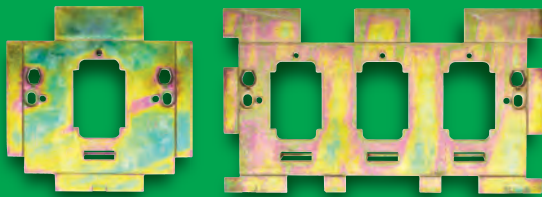
8512/PSS

8514/PSS

GRID PLATES - FLAT PLATE

	PACK QTY	
Plate for 1 gang grid	10	8511/_ _
Plate for 2 gang grid	10	8512/_ _
Plate for 3 gang grid	10	8513/_ _
Plate for 4 gang grid	10	8514/_ _
Plate for 6 gang grid	10	8516/_ _
Plate for 8 gang grid	10	8518/_ _

Available in Stainless Steel (SS), Polished Brass (PB) and Polished Stainless Steel (PSS)



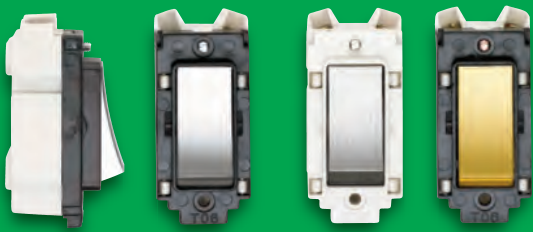
1901

1903

GRID YOKES

	PACK QTY	
1 gang Yoke	10	1901
2 gang Yoke	10	1902
3 gang Yoke	10	1903
4 gang Yoke	10	1904
6 gang Yoke	10	1906
8 gang Yoke	10	1908

When mounting Grid yokes for use with the Flat plate, remove the outer fixing ears



4450/6HPC

4450/6SC/WH

4489/6PB

GRID SWITCHES 10AX

BS EN 60669-1	PACK QTY	
10AX 1 way	10	4430/6_ _
10AX 2 way	10	4530/6_ _
10A Retractive	10	4489/6_ _

GRID SWITCHES 20AX

BS EN 60669-1	PACK QTY	
20AX 1 way	10	4450/6_ _
20AX 2 way	10	4550/6_ _
20AX double Pole	10	4460/6_ _
20AX intermediate	10	4535/6_ _
20A 2 way & Off	10	4552/6_ _

Available in Satin Chrome (SC/WH), Highly Polished Chrome (HPC), and Polished Brass (PB).

Installation Box depth 35mm

The full range of Rockergrid items are shown on pages 101-102 and will fit onto all the above plates.

For dimensions please see page 146

For material specification please see page 123-124

METALCLAD

In tough conditions the sturdily built Capital Metalclad range is ideal for use in industry, commerce and the home.



- Tough durable finish which is resistant to premature ageing, discolouration and corrosion.
- Finishing process is highly automated and controlled to ensure a consistent level of performance.
- Production line tested for quality of gloss finish and uniform coverage of coating.

Authorised by London Underground for use in Rail and Transport applications.



4581/BG



4583/BG

10AX SWITCHES

BS EN 60669-1	PACK QTY	
10AX 1 gang 2 way	10	4581/BG
10AX 2 gang 2 way	10	4582/BG
10AX 3 gang 2 way	10	4583/BG

For technical information please see page 109

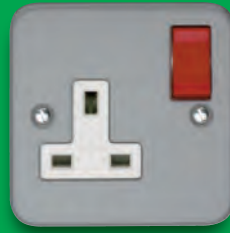


4214/3BG

13A 1 GANG SWITCHED SOCKET OUTLETS

BS 1363-2	PACK QTY	
1 gang SP	10	4214/BG
1 gang SP with neon indicator	10	4214/3BG
1 gang DP	10	4214/DBG
1 gang DP with neon indicator	10	4214/3DBG

For technical information please see page 110



4214/BG/RD

13A 1 GANG SWITCHED SOCKET OUTLETS

BS 1363-2	PACK QTY	
1 gang SP with Red Rocker	10	4214/BG/RD

For technical information please see page 110

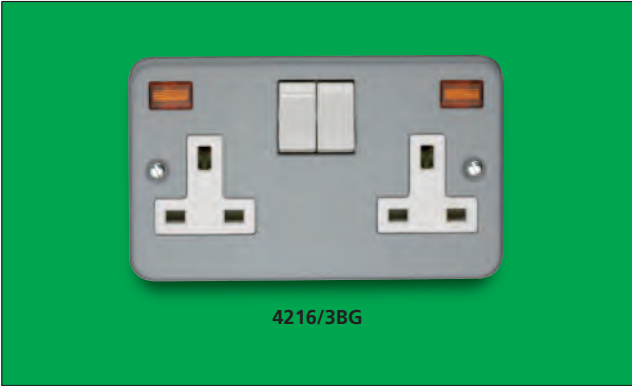


9685/BG

13A 1 GANG UNSWITCHED SOCKET OUTLETS

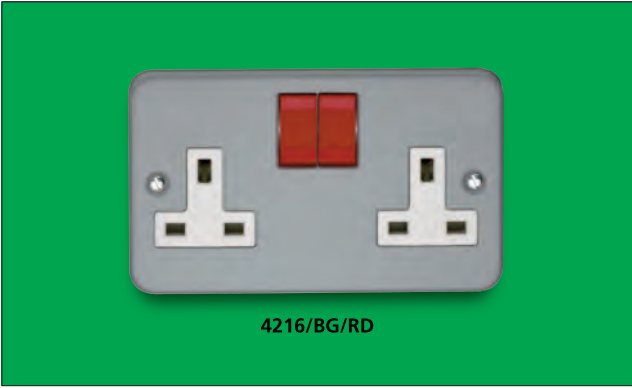
BS 1363-2	PACK QTY	
1 gang unswitched	10	9685/BG

For technical information please see page 110



13A 2 GANG SWITCHED SOCKET OUTLETS

BS 1363-2	PACK QTY	
2 gang SP	10	4216/BG
2 gang SP with neon indicator	10	4216/3BG
2 gang DP	10	4216/DBG
2 gang DP with neon indicator	10	4216/3DBG



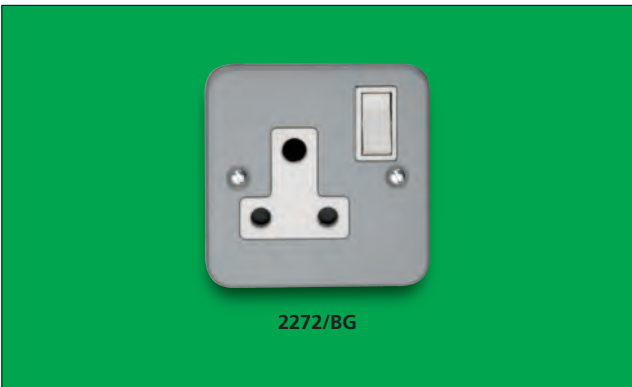
13A 2 GANG SWITCHED SOCKET INTERIOR

BS 1363-2	PACK QTY	
2 gang SP with Red Rocker	10	4216/BG/RD



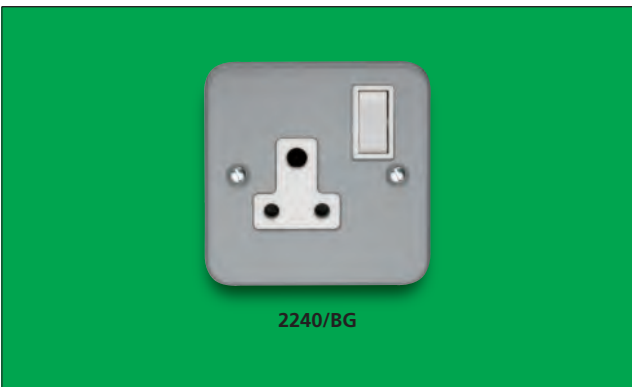
13A 2 GANG UNSWITCHED SOCKET OUTLETS

BS 1363-2	PACK QTY	
2 gang unswitched	10	9687/BG



15A 1 GANG SWITCHED SOCKET OUTLETS

BS 546	PACK QTY	
1 gang 15A shuttered SP	10	2272/BG



5A 1 GANG SWITCHED SOCKET OUTLETS

BS 546	PACK QTY	
1 gang 5A shuttered SP	10	2240/BG

For dimensions please see page 147
 For technical information please see page 110
 For material specification please see page 123-124
 Authorised by London Underground for use in Rail and Transport applications



4842/3BG

13A SWITCHED FUSED CONNECTION UNITS

BS 1363-4	PACK QTY	
DP switched	10	4842/BG
DP switched with neon indicator	10	4842/3BG



4847/3BG

13A SWITCHED FUSED CONNECTION UNITS

BS 1363-4	PACK QTY	
DP switched with cord outlet	10	4847/BG
DP switched with cord outlet and neon indicator	10	4847/3BG



4841/BG

13A UNSWITCHED FUSED CONNECTION UNITS

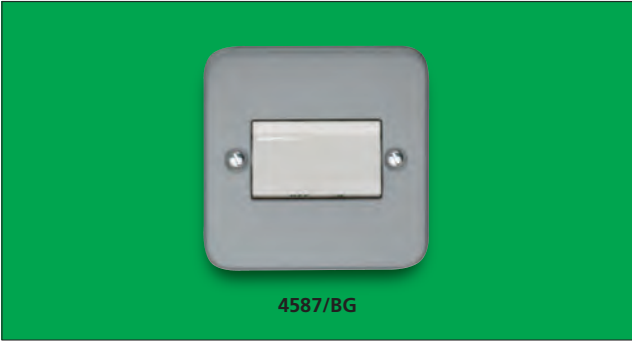
BS 1363-4	PACK QTY	
Unswitched	10	4841/BG
Unswitched with neon indicator	10	4841/3BG



4846/BG

13A UNSWITCHED FUSED CONNECTION UNITS

BS 1363-4	PACK QTY	
Unswitched with cord outlet	10	4846/BG


4587/BG
6A TP CONTROL SWITCHES

BS EN 60669-1, BS EN60947-3	PACK QTY
10A Three Pole Isolating Switch	10 4587/BG

For technical information please see page 112


4021/3BG
20A DP CONTROL SWITCHES

BS EN 60669-1	PACK QTY
DP Switch with neon indicator	10 4020/3BG
DP Switch with neon indicator and cord outlet	10 4021/3BG

For technical information please see page 112


4512/3BG
50A DP CONTROL SWITCHES

BS EN 60669-1	PACK QTY
DP Switch	10 4512/BG
DP Switch with neon indicator	10 4512/3BG

For technical information please see page 113


1932
TRIPLE POLE & NEUTRAL 415V, 50HZ AC

	PACK QTY
32A with Switched Neutral, for surface mounting	1 1932
32A with Switched Neutral, for flush mounting	1 1932/F


3899BG
3809BG
BLANKING PLATES FOR SURFACE REPLACEMENT BOXES

PART No.	PACK QTY
For List No 9214/BG	5 3809BG
For List No 9211/BG	10 3899BG

For dimensions please see page 147

For material specification please see page 123-124

Authorised by London Underground for use in Rail and Transport applications

WEATHERSEAL

WATER & DUST PROTECTED

Water and dust protected to IP56, Weatherseal is ideal for all environments.

Especially suitable for use in the garden, workshop or Industry as the robustly designed socket outlets retain their IP56 rating when used with a moulded on 13A plug which is standard fitment on many power tools and appliances.



- Socket outlets retain their IP56 rating when used with any standard 13A plug.
- 1 gang, 2 gang and retractive surface switches all retain their IP56 rating even when in use.
- Communication enclosures will accept Euro modules featured in the Datapak range.
- Socket lid is automatically retained in the open position, enabling the plug to be easily inserted. A simple push down until the fixing click is heard is all that is necessary to create a water- proof seal, safeguarding your family and home.

Authorised by London Underground for use in Rail and Transport applications.




SWITCHES

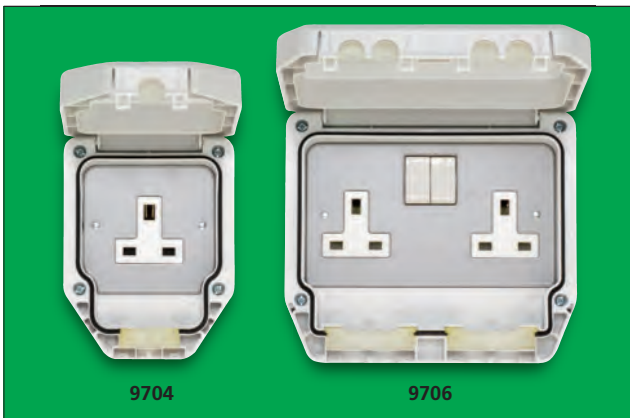
IP56 BSEN 60669-1	PACK QTY
20AX 1 gang 2 way switch	1 9700
20AX 1 gang 2 way switch with neon	1 9700/3

For technical information please see page 109


SWITCHES

IP56 BSEN 60669-1	PACK QTY
20AX 2 gang 2 way switch	1 9702
20A Retractive switch marked 'Press'	1 9703

For technical information please see page 109


13A SOCKETS

IP56 BS1363-2	PACK QTY
13A 1 gang Unswitched Socket	1 9704
13A 2 gang DP Switched Socket c/w twin earth terminals	1 9706

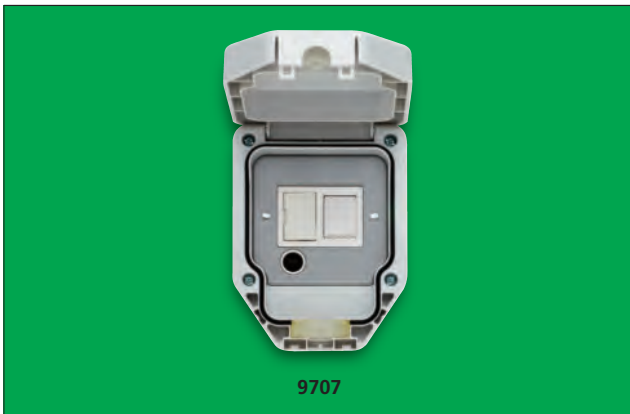
IP66 BS1363-2	PACK QTY
13A 1 gang DP Switched Socket c/w twin earth terminals	1 9705/66
13A 2 gang DP Switched Socket c/w twin earth terminals	1 9706/66

For technical information please see page 110


13A NON STANDARD SOCKET

IP56 BS 1363-2	PACK QTY
13A 2 gang DP non standard Switched Socket c/w twin earth terminals	1 9706/N

For technical information please see page 110


13A SWITCHED FCU

IP56 BS1363-4	PACK QTY
13A 1 gang Switched FCU c/w cord outlet	1 9707

For technical information please see page 111

For dimensions please see page 148

For material specification please see page 123-124

Authorised by London Underground for use in Rail and Transport applications



ROCKERGRID ENCLOSURE

IP56	PACK QTY	
1 gang to accept 1 Rockergrid module	1	9731
1 gang to accept 2 Rockergrid module	1	9732

Relevant grid yoke fitted to plate



ROCKERGRID ENCLOSURE

IP56	PACK QTY	
2 gang to accept 3 Rockergrid module	1	9733
2 gang to accept 4 Rockergrid module	1	9734

Relevant grid yoke fitted to plate



10AX SWITCHES – MOULDED ROCKER

BS EN 60669-1	PACK QTY	
1 way SP	10	4430
2 way SP	10	4530
Retractive 10A	10	4489
Retractive – bell symbol 10A	10	4490
Retractive 2 way and off 10A	10	4553

Available as made to order in Black (BK) eg: 4530/BK



20AX SWITCHES – MOULDED ROCKER

BS EN 60669-1	PACK QTY	
1 way	10	4450
1 way complete with key	10	4451
1 way with key marked "Emergency Lighting Test"	10	4451/ELT
Double Pole	10	4460
Various markings - See page xxx	10	4460/_ _
DP complete with key	10	4461
DP with key marked "Emergency Lighting Test"	10	4461/ELT
DP marked 'ON'	10	4469
Intermediate	10	4535
2 way	10	4550
2 way complete with key	10	4551
2 way with key marked "Emergency Lighting Test"	10	4551/ELT
2 way and off	10	4552
Spare key	10	6940

Available as made to order in Black (BK) eg: 4550/BK

Available as made to order in Red (RD) eg: 4552/RD

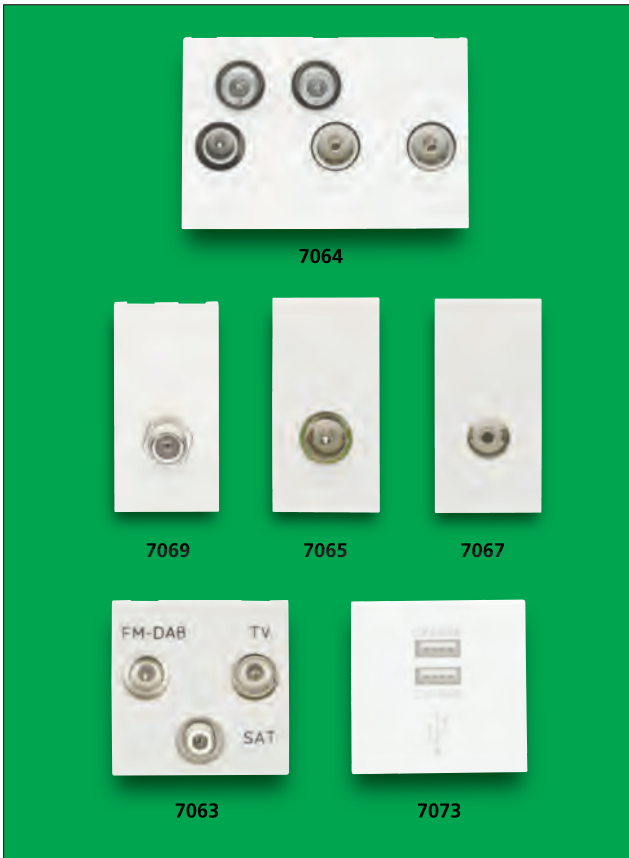
For dimensions please see page 148

For material specification please see page 123-124

Authorised by London Underground for use in Rail and Transport applications


EURO DATA ENCLOSURE

IP56	PACK QTY	
1 gang 2 euro module enclosure	1	9722
2 gang 4 euro module enclosure	1	9724

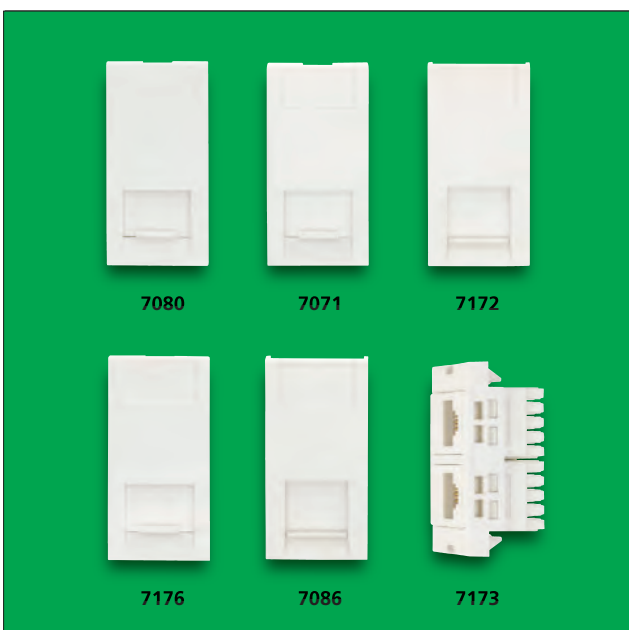

DATA AND CO-AXIAL MODULES

	PACK QTY	
BNC single module with 75 Ohm crimp connector	25	7074
TV outlet (male)	25	7065
TV outlet (female)	25	7067
F type satellite	25	7069
Triplex Unit (TV, FM, Sat)	25	7063
TV outlet screened, return	25	7060
Phono (female)	25	7087
Quadplexer (TV, FM, Sat 1 & Sat 2)	10	7066
Quadplexer with TV return (TV, TV return, FM, Sat 1 & Sat 2)	10	7064
USB Dual 2 x 1A 5V data	10	7073

Also available in Black - Add suffix **BK** to list No.

ie: Triplex unit in black = 7063/**BK**.

Dimensions 25mm x 50mm (1 Module)
 (except 7063, 7064 & 7073 - 50mm x 50mm 2 Module)
 (except 7064 - 75mm x 50mm 3 Module)


COMMUNICATION MODULES

	PACK QTY	
BT Master Voice	25	7080
BT Master Voice, Left Handed	25	7080/LH
BT Secondary Voice, 6 wire	25	7071
RJ45 (single) module, 8 wire - Category 5e	25	7172
RJ45 ISDN terminated	25	7174
RJ11/12	25	7086
PABX Voice	25	7176
RJ45 (Twin) module	25	7173
½ module size	25	7081/2
1 module size	25	7081
2 module size	10	7082

Also available in Black - Add suffix **BK** to list No. ie: BT Master in black = 7080/**BK**.

Dimensions 25mm x 50mm (1 Module)

For dimensions please see page 148

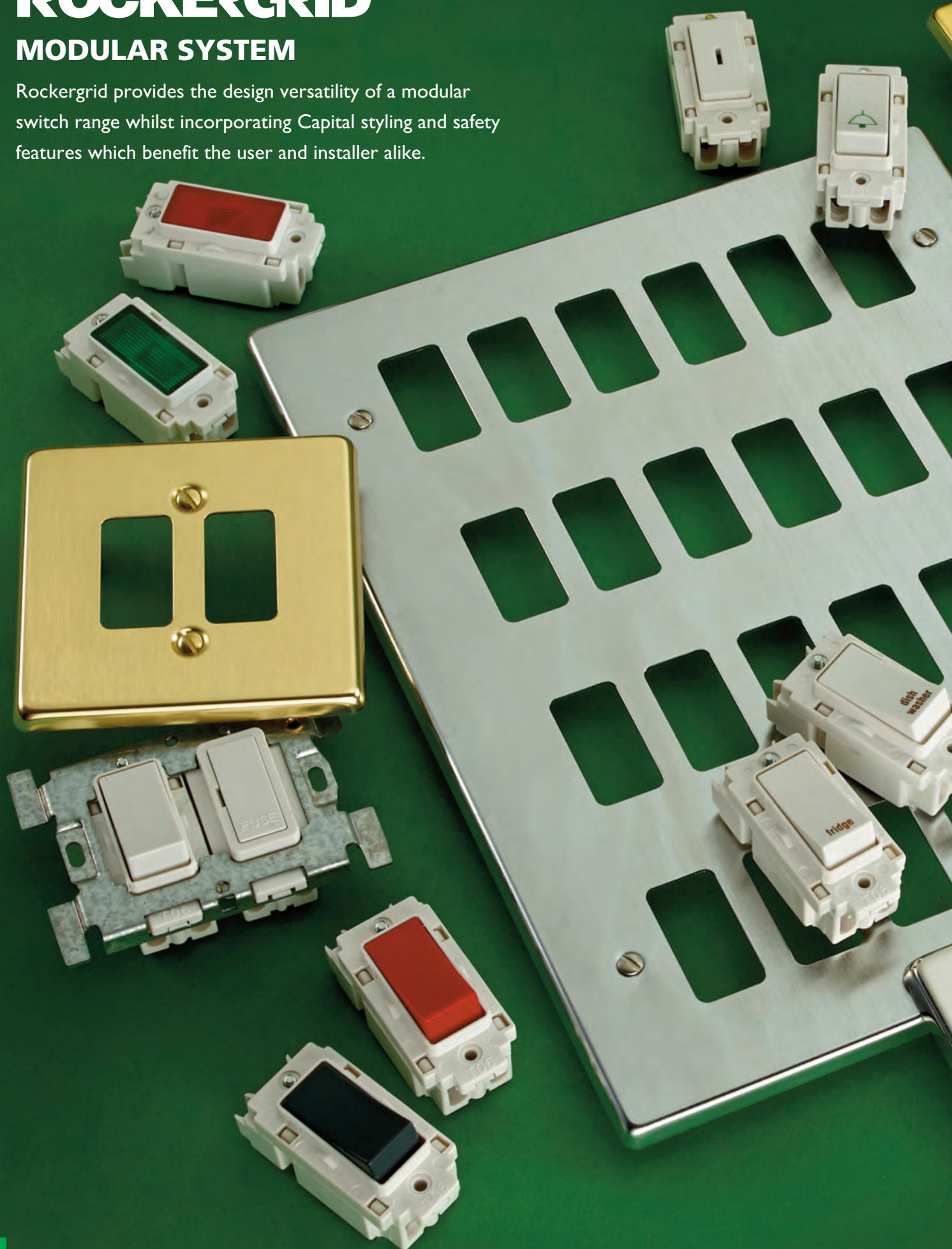
For material specification please see page 123-124

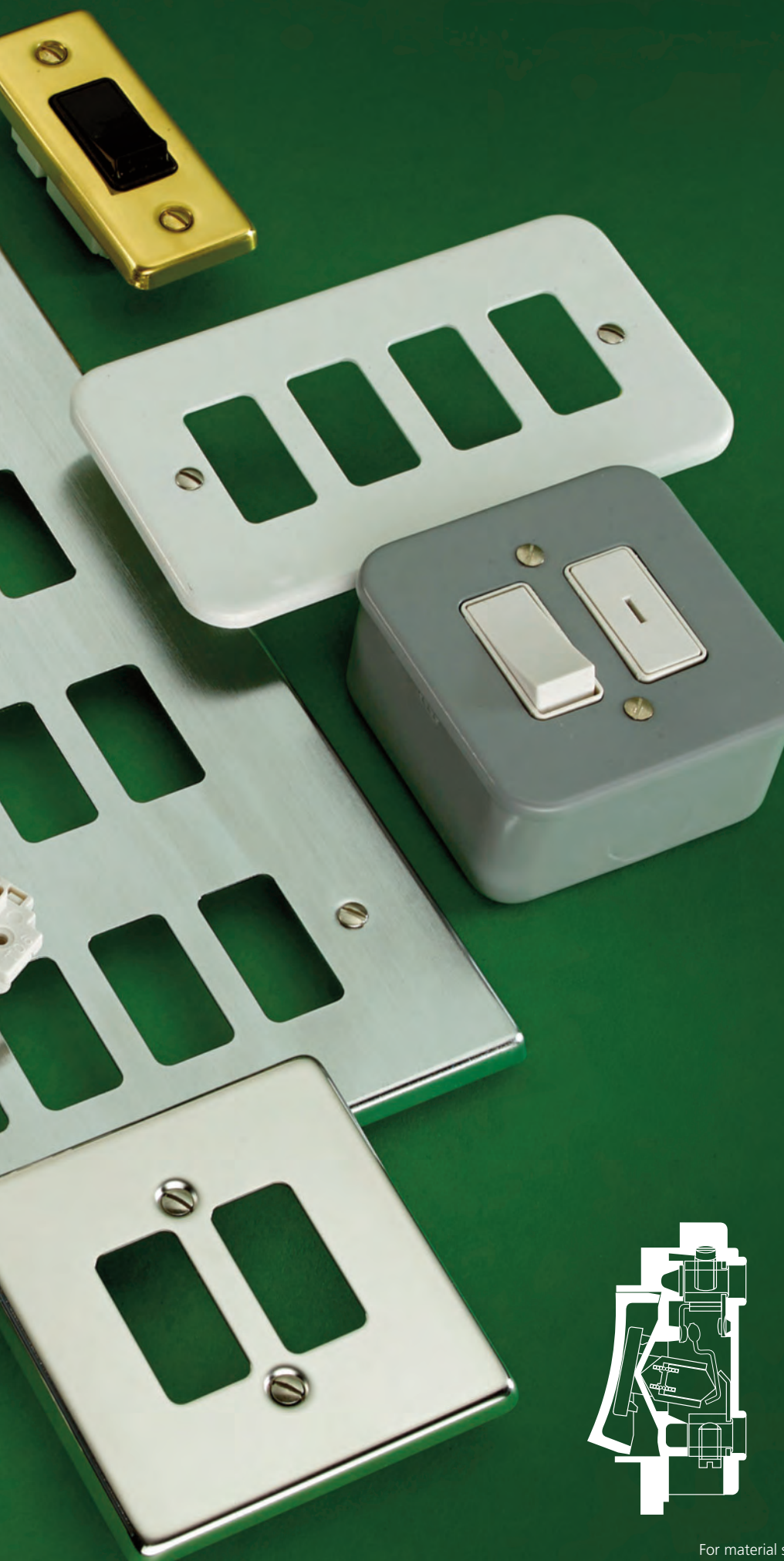
Authorised by London Underground for use in Rail and Transport applications

ROCKERGRID

MODULAR SYSTEM

Rockergrid provides the design versatility of a modular switch range whilst incorporating Capital styling and safety features which benefit the user and installer alike.





Polished Brass



Satin Chrome



Highly Polished Chrome



Polished Stainless Steel



Bronze



White



Birch Grey



- Unique labyrinth switch design minimises visible arc flash and prevents front access to live parts.
- Positive drive switch action prevents balancing between the 'on' and 'off' position and gives reliable indication of the contact position.
- Silver alloy contacts for longer life and low contact resistance.

SELECTION TABLE

PLATES

Gang	1	2	3	4	6	8	9	12
Surface BIRCH GREY Engraved 'Water Heater'	6581/BG 6581/1BG	6582/BG 6582/1BG	6583/BG	6584/BG	6586/BG	6588/BG	6589/BG	6580/BG
Flush MOULDED WHITE	5571	5572	5573	5574	5576			
WHITE METAL						6578/WH	6579/WH	6570/WH
BRONZE Engraved 'Water Heater'	6571/BZ 6571/1BZ	6572/BZ 6572/1BZ	6573/BZ	6574/BZ	6576/BZ	6578/BZ	6579/BZ	6570/BZ
SATIN CHROME Engraved 'Water Heater'	6571/SC 6571/1SC	6572/SC 6572/1SC	6573/SC	6574/SC	6576/SC	6578/SC	6579/SC	6570/SC
HIGHLY POLISHED CHROME	6571/HPC	6572/HPC	6573/HPC	6574/HPC	6576/HPC	6578/HPC	6579/HPC	6570/HPC
POLISHED STAINLESS STEEL	6571/PSS	6572/PSS	6573/PSS	6574/PSS	6576/PSS	6578/PSS	6579/PSS	6570/PSS
POLISHED BRASS	6571/PB	6572/PB	6573/PB	6574/PB	6576/PB	6578/PB	6579/PB	6570/PB

GRIDS

Flush or surface	6901	6902	6903	6904	2 x 6903	2 x 6904	3 x 6903	3 x 6904
-------------------------	------	------	------	------	----------	----------	----------	----------

BOXES

Flush or surface with knock-outs	9201/BG	9201/BG	9203/BG	9203/BG	9206/BG	9206/BG	9209/BG	9209/BG
without knock-outs	9201/PBG	9201/PBG	9203/PBG	9203/PBG	9206/PBG	9206/PBG	9209/PBG	9209/PBG
Flush only	SB615	SB615	SB625	SB625				

ASSEMBLY



1 Install box and enter cables.

- Boxes, grids & switches common to flush & surface installations.



2 Remove 'ears' from grid for surface installations.

- When Flush mounting do not remove 'ears'.



3 Fix switches into grid.

- Single screw switch fixing.
- Fingerproof shrouding around terminals.

* Metal rocker finishes: Satin Chrome (**SC/WH**), Bronze (**BZ**), Polished Brass (**PB**), Highly Polished Chrome (**HPC**), Polished Stainless Steel (**PSS**) and Stainless Steel (**SS/WH**).

SWITCHES

		ROCKER	
		MOULDED	METAL
10AX	1 way	4430	4430/6_ _ *
10AX	2 way	4530	4530/6_ _ *
10A	Retractive	4489	4489/6_ _ *
10A	Retractive marked with bell symbol	4490	4490/6_ _ *
10A	Retractive 2 way and off	4553	4553/6_ _ *
20AX	1 way	4450	4450/6_ _ *
20AX	1 way key switch c/w key	4451	
20AX	2 way	4550	4550/6_ _ *
20AX	2 way key switch c/w key	4551	
20AX	2 way and off	4552	4552/6_ _
20AX	Intermediate	4535	4535/6_ _ *
20AX	Double pole	4460	4460/6_ _ *
20AX	Double pole marked 'ON'	4469	
20AX	Double pole key switch c/w key	4461	

Switches are available in Black (BK) eg: 4460/BK, 4460/6PBBK

ACCESSORIES

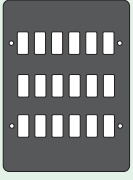
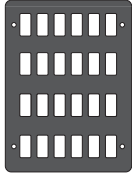


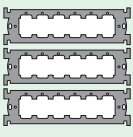
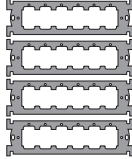
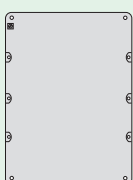
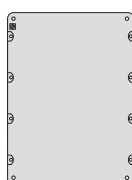
Cord outlet	4435
13A fused connection unit	4436
Neon indicator (Red)	4491
Neon indicator (Green)	4493
Neon indicator (Amber)	4494
Socket outlet 2.5–16A	4499†
Blanking component	4492
Spare key	6940 (Metal)

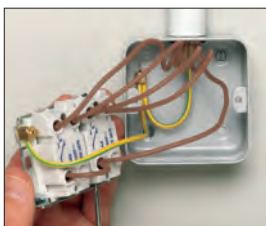
Accessories are available in Black (BK) eg: 4436/BK

† Available for export use only.

Switch modules:

- Tough impact-resistant thermoplastic moulded construction.
- Metal plate switch modules incorporate double insulation.
- Suitable for panel mounting and OEM applications.
- IP56 protected Rockergrid switch enclosures are available, see page 95.

Architrave			
			
18	24	1	2
6580/18BG	6580/24BG		
6570/18WH	6570/24WH	6591/WH	6592/WH
6570/18BZ	6570/24BZ	6591/BZ	6592/BZ
6570/18SC	6570/24SC	6591/SC	6592/SC
6570/18HPC	6570/24HPC	6591/HPC	6592/HPC
6570/18PSS	6570/24PSS	6591/PSS	6592/PSS
6570/18PB	6570/24PB	6591/PB	6592/PB
			
3 x 6906	4 x 6906	1367	1368
		<i>Supplied fitted to architrave plate</i>	
9209/18BG	9209/24BG		
9209/18PBG	9209/24PBG		
		9341/GV	9342/GV



4 Connect wires to relevant switches & earth terminals.

- Large capacity, easy-to-wire terminals.
- Diagrammatic marking on rear of switch.



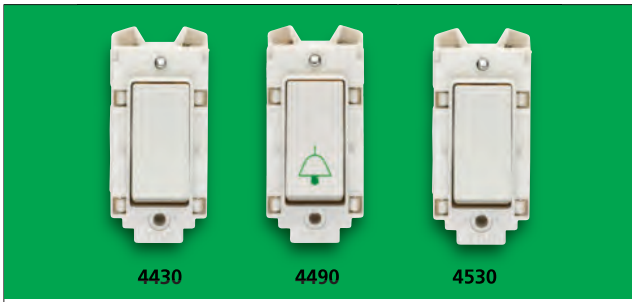
5 Fix wired switch/grid assembly into box.

- Automatic grid alignment with horizontal adjustment.



6 Fix face plate onto grid.

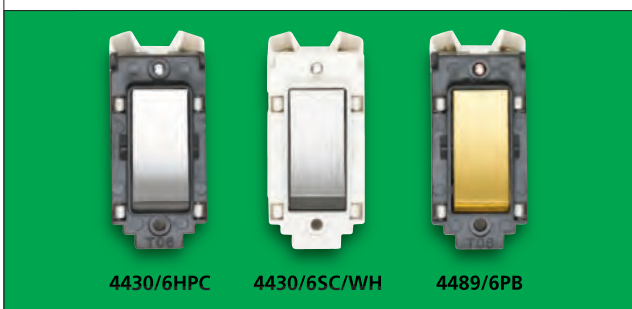
- Robust impact resistant construction, high quality moulded & metal parts.


10AX SWITCHES – MOULDED ROCKER

BS EN 60669-1	PACK QTY	
1 way SP	10	4430
2 way SP	10	4530
Retractive 10A	10	4489
Retractive – bell symbol 10A	10	4490
Retractive 2 way and off 10A	10	4553
Retractive 10A marked 'PRESS'	10	4489/P


10AX SWITCHES – MOULDED ROCKER

BS EN 60669-1	PACK QTY	
1 way SP	10	4430/BK or RD
2 way SP	10	4530/BK or RD
Retractive – bell symbol 10A	10	4490/BK or RD


10AX SWITCHES – METAL PLATE ROCKER

BS EN 60669-1	PACK QTY	
1 way	10	4430/6_ _
Retractive 10A	10	4489/6_ _
Retractive 2 way and off 10A	10	4553/6_ _
2 way	10	4530/6_ _

Available with Satin Chrome (SC/WH), Bronze (BZ), High Polished Chrome (HPC), Polished Brass (PB), Polished Stainless Steel (PSS) and Stainless Steel (SS/WH) rockers. Indicate the finish you require by adding the suffix to List No. eg 4430/6 with Bronze rocker = 4430/6BZ.


ACCESSORIES – MOULDED

BS 5733 WHERE APPLICABLE	PACK QTY	
Fuse unit fitted with 13A ASTA certified fuse link	10	4436
Cord outlet – 10mm diameter aperture, complete with earthing terminal and cable clamp	10	4435
Blanking component	10	4492
Indicator – Red	10	4491
Indicator – Green	10	4493*
Indicator – Amber	10	4494

Available as made to order in black - Add suffix BK to list No.

i.e. Cord outlet in black = 4435/BK

* Not available in black


GRID DIMMERS

BS EN 60669-2-1, BS EN 55014-1	PACK QTY	
250W White	10	4425
250W Black	10	4425/BK
400W White	10	4440
400W Black	10	4440/BK

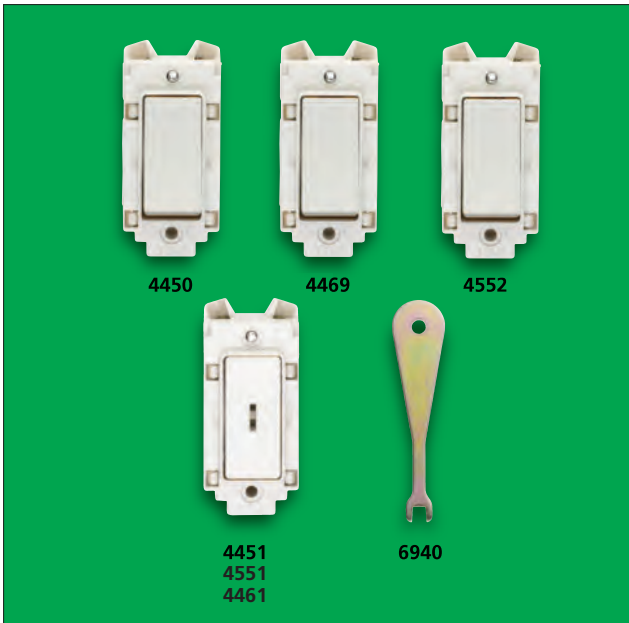
ILLUMINATED GRID DIMMERS

250W White	10	4425/BL
250W Black	10	4425/BKBL
400W White	10	4440/BL
400W Black	10	4440/BKBL

For technical information please see page 109 & 116

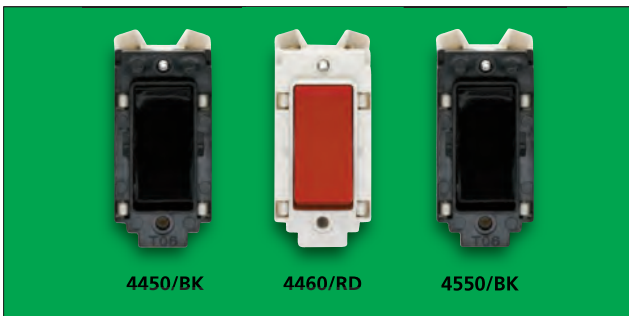
For material specification please see page 123-124

Authorised by London Underground for use in Rail and Transport applications



20AX SWITCHES – MOULDED ROCKER

BS EN 60669-1	PACK	QTY
1 way	10	4450
1 way complete with key	10	4451
1 way with key marked "Emergency Lighting Test"	10	4451/ELT
Double Pole	10	4460
DP complete with key	10	4461
DP with key marked "Emergency Lighting Test"	10	4461/ELT
DP marked 'ON'	10	4469
Intermediate	10	4535
Intermediate complete with key	10	4535/KEY
2 way	10	4550
2 way complete with key	10	4551
2 way with key marked "Emergency Lighting Test"	10	4551/ELT
2 way and off	10	4552
Spare key	10	6940



20AX SWITCHES – BLACK OR RED MOULDED ROCKER

BS EN 60669-1	PACK	QTY
1 way	10	4450/BK or RD
Double Pole	10	4460/BK or RD
Intermediate	10	4535/BK or RD
2 way	10	4550/BK or RD



20AX DOUBLE POLE SWITCH MARKING

"boiler"	4460/BO	"cooker hood"	4460/HD
"dishwasher"	4460/DW	"extractor fan"	4460/EF
"fridge"	4460/FR	"freezer"	4460/FZ
"fridge freezer"	4460/FF	"hob"	4460/HB
"heating system"	4460/HT	"microwave"	4460/MW
"tumble dryer"	4460/TD	"waste disposal"	4460/WD
"washer dryer"	4460/WDR	"washing machine"	4460/WM
"water heater"	4460/WA		

• can be used with 13A fuse units to build bespoke kitchen/utility room control panel.

All of the above are supplied in pack quantities of 10.

Available as made to order in Black (BK)

For price and delivery on other markings not listed please contact our Technical Services Department.



20AX SWITCHES – METAL PLATE ROCKER

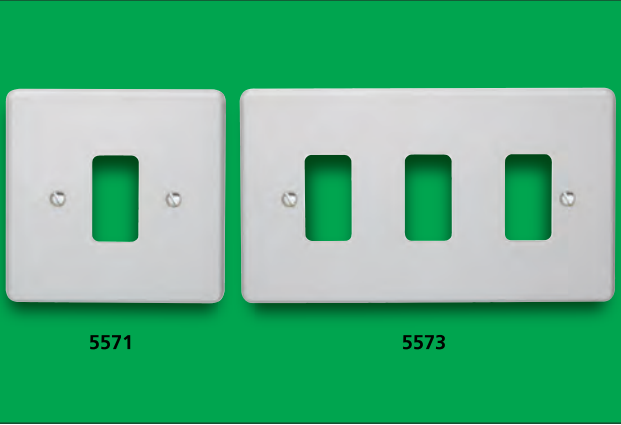
BS EN 60669-1	PACK	QTY
1 way	10	4450/6__
Double Pole	10	4460/6__
Intermediate	10	4535/6__
2 way	10	4550/6__
2 way and off	10	4552/6__

Available with Satin Chrome (SC/WH), Bronze (BZ), High Polished Chrome (HPC), Polished Brass (PB), Polished Stainless Steel (PSS) and Stainless Steel (SS/WH) rockers. Indicate the finish you require by adding the suffix to List No. eg 4430/6 with Bronze rocker = 4430/6BZ.

For technical information please see page 116

For material specification please see page 123-124

Authorised by London Underground for use in Rail and Transport applications

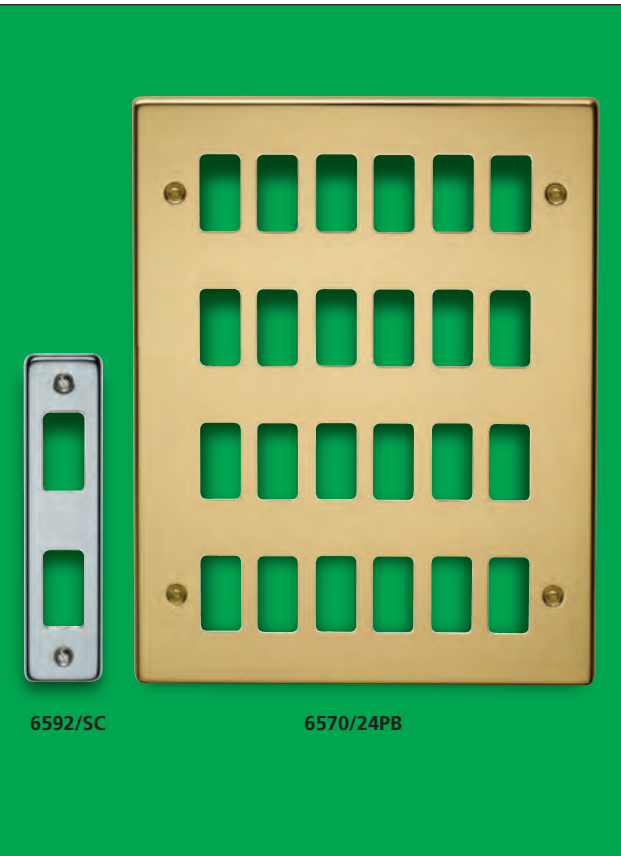


5571

5573

FLUSH MOULDED PLATES

	PACK QTY	
1 gang	20	5571
2 gang	20	5572
3 gang	10	5573
4 gang	10	5574
6 gang	1	5576



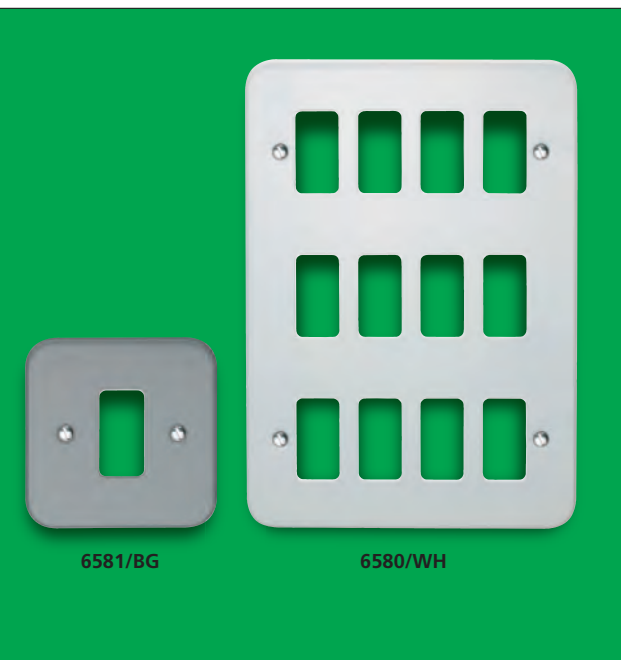
6592/SC

6570/24PB

FLUSH METAL PLATES

	PACK QTY	
1 gang	20	6571/_ _
1 gang faceplate printed 'water heater'	20	6571/1_ _
2 gang	20	6572/_ _
2 gang faceplate printed 'water heater'	20	6572/1_ _
3 gang	10	6573/_ _
4 gang	10	6574/_ _
6 gang	1	6576/_ _
8 gang	1	6578/_ _*
9 gang	1	6579/_ _*
12 gang	1	6570/_ _*
18 gang	1	6570/18_ _*
24 gang	1	6570/24_ _*
1 gang architrave complete with grid	10	6591/_ _*
2 gang architrave complete with grid	10	6592/_ _*

Available in **BZ** for Bronze finish, **SC** for Satin Chrome finish, **HPC** for Highly Polished Chrome finish, **PB** for Polished Brass finish, **PSS** for Polished Stainless Steel finish and **WH** for White finish.



6581/BG

6580/WH

SURFACE METALCLAD / WHITE PLATES

	PACK QTY	
1 gang	20	6581/BG or /WH
1 gang faceplate printed 'water heater'	20	6581/1BG
2 gang	20	6582/BG or /WH
2 gang faceplate printed 'water heater'	20	6582/1BG
3 gang	10	6583/BG or /WH
4 gang	10	6584/BG or /WH
6 gang	1	6586/BG or /WH
8 gang	1	6588/BG or /WH
9 gang	1	6589/BG or /WH
12 gang	1	6580/BG or /WH
18 gang	1	6580/18BG
24 gang	1	6580/24BG

For dimensions please see page 149-150

For material specification please see page 123-124

Authorised by London Underground for use in Rail and Transport applications



BOXES

	PACK QTY	
1 and 2 gang surface or flush	10	9201/BG
3 and 4 gang surface or flush	5	9203/BG
6 and 8 gang surface or flush	1	9206/BG
9 and 12 gang surface or flush	1	9209/BG
18 gang surface or flush	1	9209/18BG
24 gang surface or flush	1	9209/24BG
1 gang architrave flush only	10	9341/GV
2 gang architrave flush only	10	9342/GV

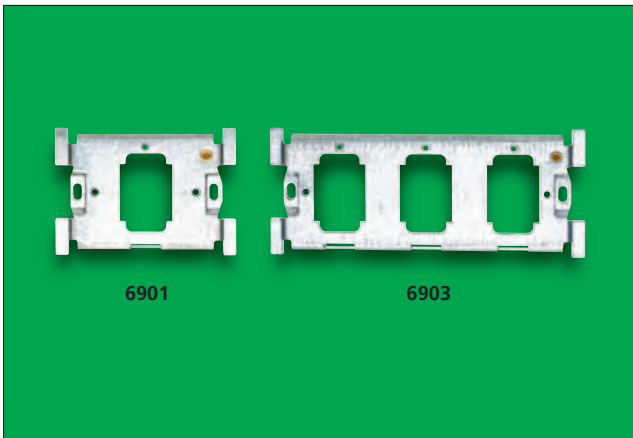
16mm knock-outs in 1 and 2 gang box and architrave boxes.
 20mm and 25mm knock-outs in 3–24 gang boxes.
 Note: BG boxes fitted with earth terminal. Spare earth terminal (List No. 6989) see page 106



BOXES LESS KNOCKOUTS

	PACK QTY	
1 and 2 gang surface or flush	10	9201/PBG
3 and 4 gang surface or flush	5	9203/PBG
6 and 8 gang surface or flush	1	9206/PBG
9 and 12 gang surface or flush	1	9209/PBG
18 gang surface or flush	1	9209/18PBG
24 gang surface or flush	1	9209/24PBG

Note: BG boxes fitted with earth terminal. Spare earth terminal (List No. 6989) see page 106



GRIDS

1 gang	20	6901
2 gang	20	6902
3 gang	10	6903
4 gang	10	6904
6 gang	10	6906

When required for surface mounting assemblies, the fixing ears should be removed or bent inwards at 90°. Complete with earth terminal.

INSTALLATION BOXES & SERVICE ITEMS

The comprehensive range of metal back boxes offers a facility to surface mount Crabtree wiring accessories




REPLACEMENT STEEL BOXES FOR CAPITAL SURFACE WIRING ACCESSORIES

BS 5733	PACK QTY	
43mm deep 20mm knockouts Replacement box for 5, 13 and 15A single gang size surface accessories	10	9211/BG
As above less knockouts	10	9211/PBG
Dimensions 82.3mm x 82.3mm x 41.6mm		
43mm deep 20mm knockouts Replacement box for 13A gang size surface accessories	5	9214/BG
As above less knockouts	5	9214/PBG
Dimensions 139.5mm x 82.6mm x 41.5mm		

MULTI MEDIA PLATE BACK BOX

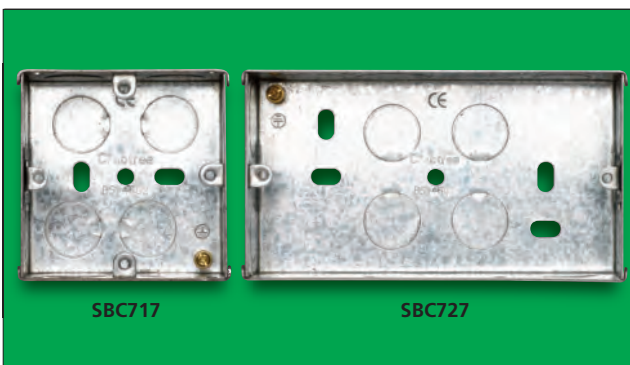
56mm deep 20/25mm knockouts Multi media plate back box	1	9226/BG
Dimensions 254mm x 194mm x 56mm		
35mm deep 20mm knockouts Multi media plate back box	1	9228/BG
Dimensions 253mm x 193mm x 35mm		

COOKER CONTROL UNIT BACK BOX

Use with 4520/1 or 4520/31	1	9338/GV
Dimensions 155mm x 101mm x 42mm		


SURFACE STEEL BOXES FOR CAPITAL FLUSH WIRING ACCESSORIES

BS EN 60669-1	PACK QTY	
36mm deep With 20mm knockouts For surface mounting single gang size flush accessories	10	9221/BG
As above less knockouts	10	9221/PBG
Dimensions 86mm x 86mm x 36mm		
36mm deep With 20mm knockouts For surface mounting double gang size flush accessories	5	9223/BG
As above less knockouts	5	9223/PBG
Dimensions 146mm x 86mm x 36mm		


FLUSH STEEL BOXES

BS 4662	PACK QTY	
1 G 35mm deep with 20mm & 25mm knockouts 1.1mm steel box	10	SBC717
2 G 35mm deep with 20mm & 25mm knockouts 1.1mm steel box	5	SBC727


SPARE EARTH TERMINALS

Brass (for use with 4 lug metal box)	100	6988
Brass	100	6989



ACCESSORY FIXING SCREWS M3.5mm

		PACK QTY	
Platinum long fixing screw 50mm		100	735050
20mm long (vandal resistant)		100	735009/*/VR
25mm long (vandal resistant)		100	735010/*/VR
30mm long (vandal resistant)		100	735011/*/VR
25mm long	735010*	20mm long	100 735032
30mm long	735011*	23mm long	100 735038
50mm long	735012*	25mm long	100 735033
40mm long	735013*	30mm long	100 735023

* Add finish required i.e.735010SC.



SUNDRY SCREWS & SPACERS

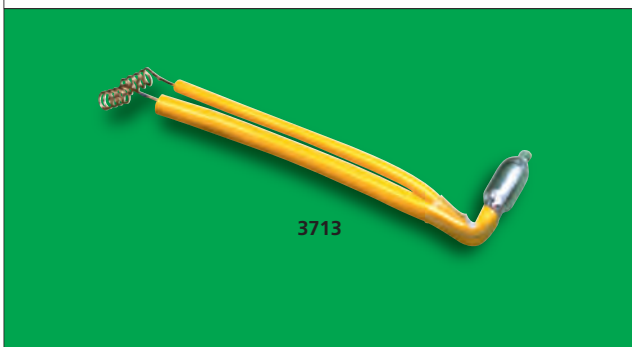
		PACK QTY	
Rockergrid switch to grid		100	706124
Capital 50A switch to grid & grid to box	4950/BG series	100	735006/ZP
Rockergrid grid to box		100	735007
Capital plate to box on	4214 & 4216 ranges	100	735008/*
Rockergrid plate to grid		100	705094/*
Rockergrid plate to grid (vandal-resistant)		100	705094/*/VR
Screwdriver for Rockergrid VR screws		1	6913

*All screws are available to match the appropriate Capital Metal Plate and Rockergrid finishes.



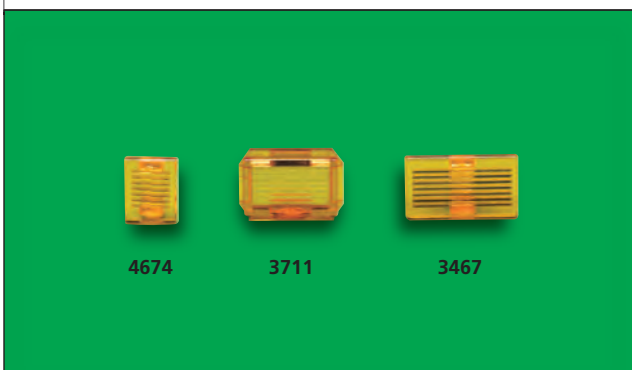
CAPITAL CEILING SWITCH ACCESSORY ITEMS

1.5m long white pull cord and acorn	6900
2m long red pull cord and acorn	6900/1RD
2m long white pull cord with red acorn	6900/1WH
100m ball of white pull cord	6900/2
100m ball of red pull cord	6900/2RD
Ceiling switch acorn red	7410/RD
Ceiling switch acorn white	7410/WH



CAPITAL NEON INDICATORS

For 13A moulded & metal plate sockets, 13A fuse connection units, 20A, 32A, 45A capital switches	3713
For 13A safety sockets & slimline cooker control units	100215

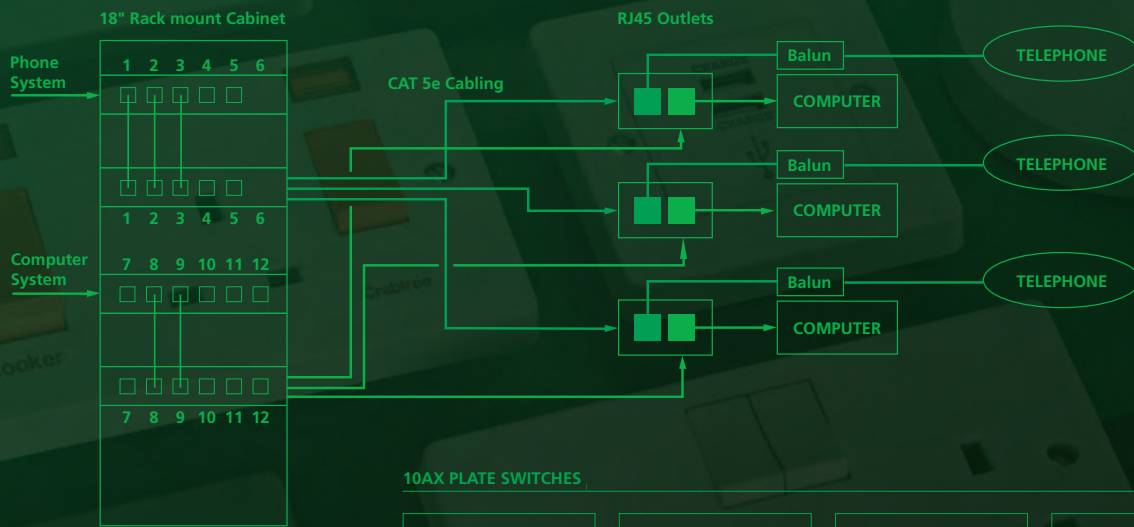


CAPITAL NEON LENSES

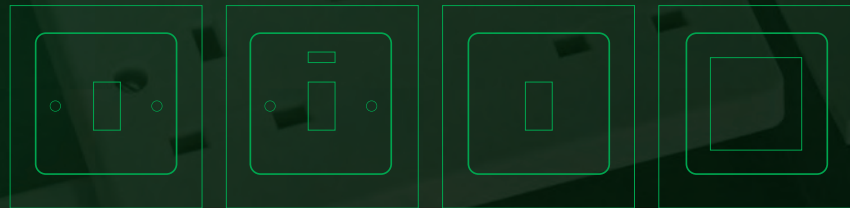
For all 50A DP switches & large plate cooker control unit (larger lens) & 32A TP & N switches	3467
For 13A moulded & metal plate sockets, fuse connection units, 20A capital switches & slimline cooker control unit (smaller lens)	3711
For slimline cooker control unit (large lens) & capital 45A switches	3767
For 50A ceiling switch & large plate cooker control unit (smaller lens)	4674

TECHNICAL SPECIFICATION

	page		page
10AX Switches	109	Shaver Light	115
Dimmers	109	Co-Axial	115
13A Sockets	110	Telephone	116
Other Sockets	110	10AX & 20AX Grid Switches	116
13A Fused Connection Unit	111	Datapak	117
3A Card Switch	111	Lamp Holders	118
6A TP Control Switch	112	Ceiling Rose	118
20A & 32A DP Control Switch	112	Pendant Sets	118
45A & 50A DP Control Switch	113	6AX, 16A & 50A Ceiling Pull Cords	119
45A Cooker Control	113	PVC Trunking	119
20A & 45A Cable Outlet	114	Luminaire Support Coupler (LSC)	120
Shaver Unit	114	Luminaire Distribution Box (LDB)	120



10AX PLATE SWITCHES



Technical Specification

- Crabtree Plate switches are fully rated to 10AX for fluorescent or inductive loads, except for the retractive switch
- Two way switches can be wired as one way
- Retractive switches are 10A rated
- Retractive switches can be wired either normally open (N/O) or normally closed (N/C) circuits
- Corinthian switches feature a larger rocker (in width & height) making it ideal for use in sheltered housing installations
- IP rating is IP4X (unless stated)
- All products are tested to 250 Volt
- All Crabtree light switches can be fitted with a Crabtree seek light frame, please see relevant seeklight page for more detail

British Standards

- CRABTREE 10AX plate switches are all type tested to BS EN 60669-1
- Switches for household and similar fixed-electrical installation

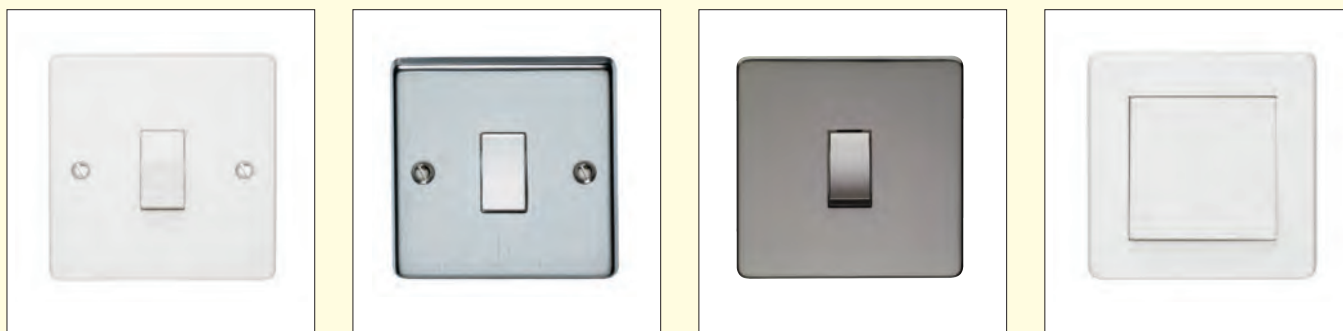
Terminal Capacities

Size of cable	1mm ²	1.5mm ²	2.5mm ²
Qty of cable	4	3	1

A Point of Testing

When installations incorporating electronic devices of the semi-conductor type are being tested, care must normally be taken to ensure that they are not subjected to the output voltage of an insulation tester. However, dimmer switches complying with BS 5518 will not be damaged by the application of a normal 500V insulation resistance test. In all other cases where electronic items are fitted, they should be disconnected whilst the insulation of the installation is tested. A notice, drawing attention to the fact that electronic devices are incorporated in the installation, should always be affixed at the intake position. This also applies to any neon indicators fitted.

10AX PLATE SWITCHES



Technical Specification

- Crabtree Plate switches are fully rated to 10AX for fluorescent or inductive loads, except for the retractive switch
- Two way switches can be wired as one way
- Retractive switches are 10A rated
- Retractive switches can be wired either normally open (N/O) or normally closed (N/C) circuits
- Corinthian switches feature a larger rocker (in width & height) making it ideal for use in sheltered housing installations
- IP rating is IP4X (unless stated)
- All products are tested to 250 Volt
- All Crabtree light switches can be fitted with a Crabtree seek light frame, please see relevant seeklight page for more detail

British Standards

- CRABTREE 10AX plate switches are all type tested to BS EN 60669-1
- Switches for household and similar fixed-electrical installation

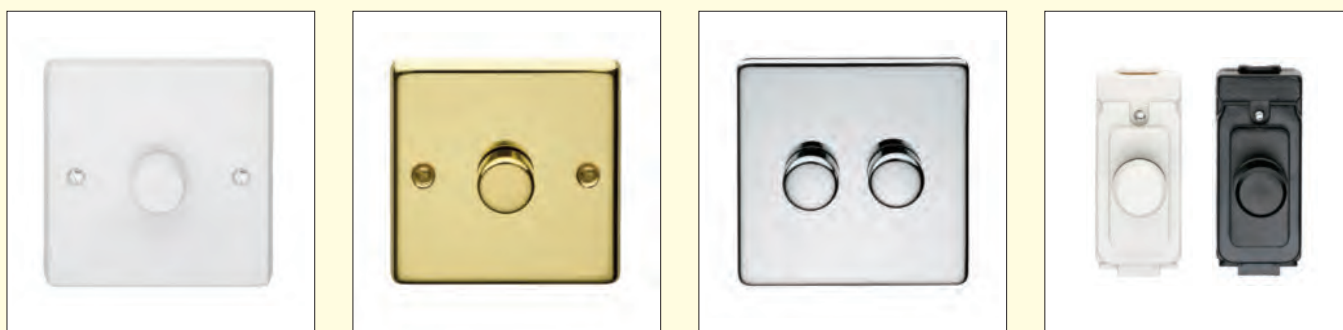
Terminal Capacities

Size of cable	1mm ²	1.5mm ²	2.5mm ²
Qty of cable	4	3	1

A Point of Testing

When installations incorporating electronic devices of the semiconductor type are being tested, care must normally be taken to ensure that they are not subjected to the output voltage of an insulation tester. However, dimmer switches complying with BS 5518 will not be damaged by the application of a normal 500V insulation resistance test. In all other cases where electronic items are fitted, they should be disconnected whilst the insulation of the installation is tested. A notice, drawing attention to the fact that electronic devices are incorporated in the installation, should always be affixed at the intake position. This also applies to any neon indicators fitted.

DIMMERS



Technical Specification

- All modules are 2 way push on/off rotate to dim
- Minimum installation depth of 35mm is required on Capital Moulded and Metal Plate dimmers and 40mm on Platinum dimmers
- Suitable for Tungsten filament lamps & GU10 or similar hiSpot halogen bulb
- Suitable for use with Resistive and inductive loads
- Total load on a 250W dimmer should be within 40W (minimum) to 250W (maximum)
- Total load on a 400W dimmer should be within 60W (minimum) to 400W (maximum)
- Maximum rating on a 1 gang plate with 2 dimmers should be 500W maximum
- For Technical Information on LED dimmers please contact technical services

British Standards

- CRABTREE Dimmer switches are all type tested to BS EN 60669-2-1 & BS EN 55014-1
- BS EN 60669-2-1 Switches for household and similar fixed-electrical installation
- Particular requirements for electronic switches
- BS EN 55014-1 Electromagnetic compatibility. Requirements for household appliances, electric tools and similar apparatus

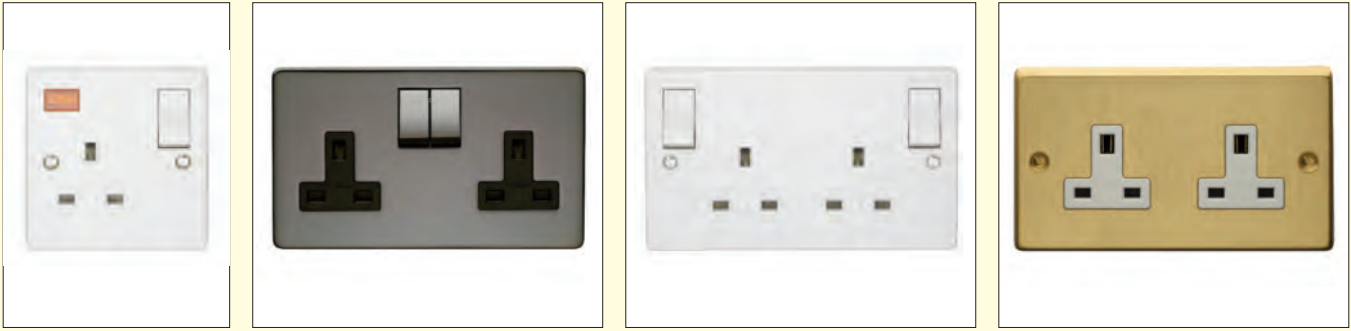
Terminal Capacities

Size of cable	1mm ²	1.5mm ²	2.5mm ²
Qty of cable	4	3	1

A Point of Testing

When installations incorporating electronic devices of the semiconductor type are being tested, care must normally be taken to ensure that they are not subjected to the output voltage of an insulation tester. However, dimmer switches complying with BS 5518 will not be damaged by the application of a normal 500V insulation resistance test. In all other cases where electronic items are fitted, they should be disconnected whilst the insulation of the installation is tested. A notice, drawing attention to the fact that electronic devices are incorporated in the installation, should always be affixed at the intake position. This also applies to any neon indicators fitted.

13A SOCKETS



Technical Specification

- All Switched Sockets are fitted with two earth terminals for use where compliance with BS 7671:2008 regulation 543-7 (IEE wiring regulations)
- Shallow back box projection for ease of installation into a 25mm back box when using Capital style
- Shallow back box projection for ease of installation into a 35mm back box when using Platinum style
- Single Pole and Double Pole version are available in Capital
- Platinum are all Double Pole
- IP rating is IP2X (unless stated)
- All products are tested to 250 Volt

British Standards

- CRABTREE 13A Sockets are all type tested to BS 1363-2
- 13A plugs, socket-outlets, adaptors and connection units Specification for 13A switched and unswitched socket-outlets

Terminal Capacities

Size of cable	2.5mm ²	4.0mm ²
Qty of cable	3	2

A Point of Testing

When installations incorporating electronic devices of the semiconductor type are being tested, care must normally be taken to ensure that they are not subjected to the output voltage of an insulation tester. However, dimmer switches complying with BS 5518 will not be damaged by the application of a normal 500V insulation resistance test. In all other cases where electronic items are fitted, they should be disconnected whilst the insulation of the installation is tested. A notice, drawing attention to the fact that electronic devices are incorporated in the installation, should always be affixed at the intake position. This also applies to any neon indicators fitted.

2, 5 & 15A SOCKETS (ROUND PIN TYPE)



Technical Specification

- 5A & 15A available as switched type
- 2A, 5A & 15A (125V) available as unswitched
- Both type are safety shuttered to the socket
- IP rating is IP2X (unless stated)
- All products are tested to 250 Volt, except 15A American socket which is to 125V

British Standards

- CRABTREE 2A, 5A, 15A & 15A 125V Sockets are all type tested to BS 546
- Three-pin plugs and sockets of the round-pin type, as used in domestic premises, offices, etc. For standard ratings of 2,5,15 and 30 amperes. Interchangeability, safety, materials, construction, dimensions
- 15A 125V American socket is type tested to nema configuration 5-15

Terminal Capacities

Size of cable	1.5mm ²	2.5mm ²	4mm ²
Qty of cable 2A	3	2	-
Qty of cable 5A	3	2	-
Qty of cable 15A	-	3	2
Qty of cable 15A 125V	-	3	2

A Point of Testing

When installations incorporating electronic devices of the semiconductor type are being tested, care must normally be taken to ensure that they are not subjected to the output voltage of an insulation tester. However, dimmer switches complying with BS 5518 will not be damaged by the application of a normal 500V insulation resistance test. In all other cases where electronic items are fitted, they should be disconnected whilst the insulation of the installation is tested. A notice, drawing attention to the fact that electronic devices are incorporated in the installation, should always be affixed at the intake position. This also applies to any neon indicators fitted.

13A FUSED CONNECTION UNIT



Technical Specification

- Moulded type have a knock-out position on the bottom edge of the plate for use with or without cord outlet
- Moulded type have neon built into the rocker
- Fused on the line side with a BS1362 13A fuse link
- Fuse carrier requires a tool to remove and can be padlocked in the open position for extra on site maintenance safety
- Metal type have cord outlet on the front of the plate for up to 10mm diameter cable
- IP rating is IP4X (unless stated) without flex outlet
- IP rating is IP2X (unless stated) with flex outlet
- All products are tested to 250 Volt

British Standards

- CRABTREE 13A Fused Connection Units are all type tested to BS 1363-4
- 13A plugs, socket-outlets, adaptors and connection unit Specification for 13A fused connection units switched and unswitched

Terminal Capacities

Size of cable	2.5mm ²	4.0mm ²
Qty of cable	3	2

A Point of Testing

When installations incorporating electronic devices of the semiconductor type are being tested, care must normally be taken to ensure that they are not subjected to the output voltage of an insulation tester. However, dimmer switches complying with BS 5518 will not be damaged by the application of a normal 500V insulation resistance test. In all other cases where electronic items are fitted, they should be disconnected whilst the insulation of the installation is tested. A notice, drawing attention to the fact that electronic devices are incorporated in the installation, should always be affixed at the intake position. This also applies to any neon indicators fitted.

3A ENERGY SAVING CARD SWITCH



Technical Specification

- Insertion of card turns the illuminated neon off
- Controls energy consumption in installations such as hotels by ensuring that appliances are not left on when rooms are unoccupied
- Mains voltage card switch is operated by a door entry card and controls the supply to a room via a suitably rated contactor
- Will accept door entry cards up to 86mm x 54mm x 1mm
- Angled card entry
- IP rating is IP4X (unless stated)
- All products are tested to 250 Volt

British Standards

- CRABTREE 3A Energy Saving Card Switch are all type tested to BS 5733
- General requirements for electrical accessories

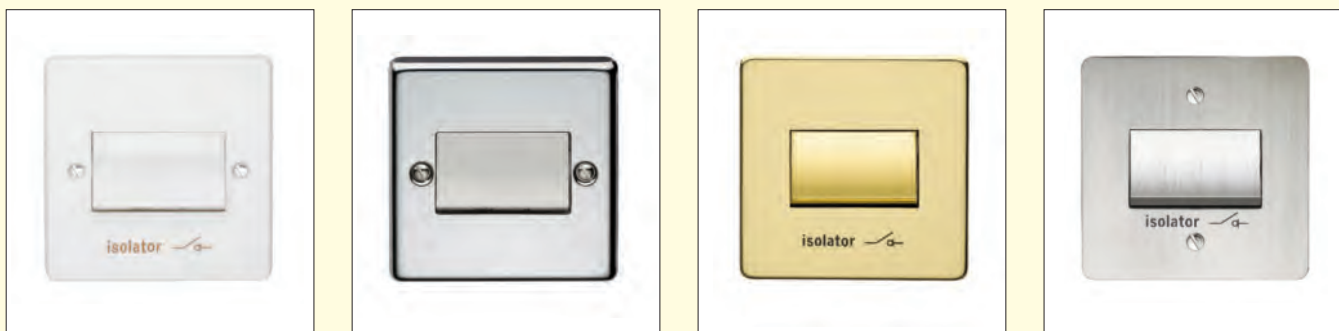
Terminal Capacities

Size of cable	1.0mm ²	1.5mm ²
Qty of cable	3	2

A Point of Testing

When installations incorporating electronic devices of the semiconductor type are being tested, care must normally be taken to ensure that they are not subjected to the output voltage of an insulation tester. However, dimmer switches complying with BS 5518 will not be damaged by the application of a normal 500V insulation resistance test. In all other cases where electronic items are fitted, they should be disconnected whilst the insulation of the installation is tested. A notice, drawing attention to the fact that electronic devices are incorporated in the installation, should always be affixed at the intake position. This also applies to any neon indicators fitted.

6A TP CONTROL SWITCH



Technical Specification

- Moulded version available with isolator symbol or isolator and fan symbol
- Provides local isolation of fans with or without timers whilst the rest of the circuit remains live
- Enables repair or routine maintenance of fans
- IP rating is IP4X (unless stated)
- All products are tested to 250 Volt

British Standards

- CRABTREE 6A TP Isolating Switch are all type tested to BS 60947-3 & BS EN 60669-1
- BS 60947-3 Low-voltage switchgear and control gear. Switches, disconnectors, switch-disconnectors and fuse combination units
- BS EN 60669-1 Switches for household and similar fixed-electrical installation

Terminal Capacities

Size of cable	1mm ²	1.5mm ²	2.5mm ²
Qty of cable	4	3	1

A Point of Testing

When installations incorporating electronic devices of the semiconductor type are being tested, care must normally be taken to ensure that they are not subjected to the output voltage of an insulation tester. However, dimmer switches complying with BS 5518 will not be damaged by the application of a normal 500V insulation resistance test. In all other cases where electronic items are fitted, they should be disconnected whilst the insulation of the installation is tested. A notice, drawing attention to the fact that electronic devices are incorporated in the installation, should always be affixed at the intake position. This also applies to any neon indicators fitted.

20A & 32A DP CONTROL SWITCH



Technical Specification

- Moulded type have a knock-out position on the bottom edge of the plate for use with or without cord outlet
- Cord outlet suitable for flexible cord up to 10mm outside diameter
- Fitted with two earthing terminals
- Plates can be printed for various applications
- IP rating is IP4X (unless stated) without cord outlet
- IP rating is IP2X (unless stated) with cord outlet
- All products are tested to 250 Volt

British Standards

- CRABTREE 20A & 32A DP Control Switches are all type tested to BS 60669-1
- Switches for Household and similar fixed-electrical installation

Terminal Capacities

Size of cable	2.5mm ²	4.0mm ²	10.0mm ²
Qty of cable	3	2	1

A Point of Testing

When installations incorporating electronic devices of the semiconductor type are being tested, care must normally be taken to ensure that they are not subjected to the output voltage of an insulation tester. However, dimmer switches complying with BS 5518 will not be damaged by the application of a normal 500V insulation resistance test. In all other cases where electronic items are fitted, they should be disconnected whilst the insulation of the installation is tested. A notice, drawing attention to the fact that electronic devices are incorporated in the installation, should always be affixed at the intake position. This also applies to any neon indicators fitted.

45A & 50A DP CONTROL SWITCH



Technical Specification

- Orange rocker on moulded version
- Dual screw terminal
- IP rating is IP4X (unless stated)
- All products are tested to 250 Volt

British Standards

- CRABTREE 45A & 50A DP Control Switches are all type tested to BS 60669-1
- Switches for Household and similar fixed-electrical installation

Terminal Capacities

Size of cable	6.0mm ²	10.0mm ²	16.0mm ²
Qty of cable	2	1	1

A Point of Testing

When installations incorporating electronic devices of the semi-conductor type are being tested, care must normally be taken to ensure that they are not subjected to the output voltage of an insulation tester. However, dimmer switches complying with BS 5518 will not be damaged by the application of a normal 500V insulation resistance test. In all other cases where electronic items are fitted, they should be disconnected whilst the insulation of the installation is tested. A notice, drawing attention to the fact that electronic devices are incorporated in the installation, should always be affixed at the intake position. This also applies to any neon indicators fitted.

45A COOKER CONTROL UNIT



Technical Specification

- Same plate size as standard twin socket
- Two earth terminals as standard
- Separate Double pole switching for both cooker and socket outlet
- IP rating is IP2X (unless stated)
- All products are tested to 250 Volt

British Standards

- Crabtree 45A Cooker Control unit are all type tested to BS 4177 & BS 1363-2
- BS 4177 Specification for cooker control units
- BS 1363-2 13A plugs, socket-outlets, adaptors and connection units
- Specification for 13A switched and unswitched socket-outlets

Terminal Capacities

Size of cable	6.0mm ²	10.0mm ²	16.0mm ²
Qty of cable	2	1	1

A Point of Testing

When installations incorporating electronic devices of the semi-conductor type are being tested, care must normally be taken to ensure that they are not subjected to the output voltage of an insulation tester. However, dimmer switches complying with BS 5518 will not be damaged by the application of a normal 500V insulation resistance test. In all other cases where electronic items are fitted, they should be disconnected whilst the insulation of the installation is tested. A notice, drawing attention to the fact that electronic devices are incorporated in the installation, should always be affixed at the intake position. This also applies to any neon indicators fitted.

20A & 45A CABLE OUTLETS



Technical Specification

- Same plate size as standard single socket
- 45A unit fitted with knock out position in bottom edge of plate helps prevent access to terminals before outgoing cable is fitted
- 20A & 45A have cable clamp fitted as standard
- IP rating is IP2X (unless stated)
- All products are tested to 250 Volt

British Standards

- Crabtree 20A & 45A Cable outlets are all type tested to BS 5733
- BS 5733 General requirements for electrical accessories

Terminal Capacities (mm²) 20A

Size of cable	2.5mm ²	4.0mm ²	6.0mm ²
Qty of cable	3	2	1

Terminal Capacities (mm²) 45A

Size of cable	10.0mm ²	16.0mm ²	-
Qty of cable (4506)	2	-	-
Qty of cable (4707)	1 through cable		

A Point of Testing

When installations incorporating electronic devices of the semiconductor type are being tested, care must normally be taken to ensure that they are not subjected to the output voltage of an insulation tester. However, dimmer switches complying with BS 5518 will not be damaged by the application of a normal 500V insulation resistance test. In all other cases where electronic items are fitted, they should be disconnected whilst the insulation of the installation is tested. A notice, drawing attention to the fact that electronic devices are incorporated in the installation, should always be affixed at the intake position. This also applies to any neon indicators fitted.

SHAVER UNIT



Technical Specification

- Same plate size as standard twin socket
- Output either 115V 50Hz or 240V 50Hz
- IP rating is IP2X (unless stated)
- All products are tested to 250 Volt

British Standards

- Crabtree Shaver supply unit are all type tested to BS 61558-2-5
- BS 61558-2 Safety of transformers, reactors, power supply units and combinations thereof.
Particular requirements and tests for transformers for shavers, power supply units for shavers and shaver units

Terminal Capacities

Size of cable	1.0mm ²	1.5mm ²
Qty of cable	4	3

A Point of Testing

When installations incorporating electronic devices of the semiconductor type are being tested, care must normally be taken to ensure that they are not subjected to the output voltage of an insulation tester. However, dimmer switches complying with BS 5518 will not be damaged by the application of a normal 500V insulation resistance test. In all other cases where electronic items are fitted, they should be disconnected whilst the insulation of the installation is tested. A notice, drawing attention to the fact that electronic devices are incorporated in the installation, should always be affixed at the intake position. This also applies to any neon indicators fitted.

SHAVER LIGHT



Technical Specification

- Output either 115V 50Hz or 240V 50Hz
- 60W Tungsten lamp (284mm)
- IP rating is IP4X (unless stated)
- All products are tested to 250 Volt
- Accepts most standard Continental, American and Australian 2 pin plugs
- 60W lamp can be switched independently by a separate pull switch
- Suitable for use for 'mains shavers only'
- Pull switch operates both lamp and socket
- Diffuser is removed complete with lamp fitting to facilitate safer lamp changes

British Standards

- CRABTREE Shaver supply unit are all type tested to BS 61558-2-5 & BS 4533-102.1
- BS 61558-2 Safety of transformers, reactors, power supply units and combinations thereof.
- Particular requirements and tests for transformers for shavers, power supply units for shavers and shaver units
- BS 4533-102.1 Luminaires. Particular requirements. Specification for fixed general purpose luminaires

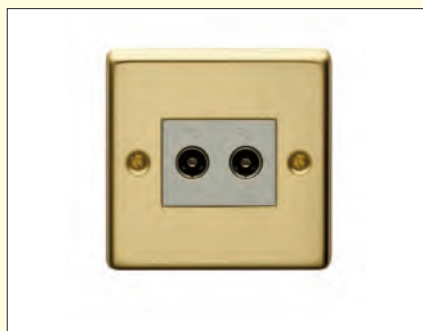
Terminal Capacities

Size of cable	1.0mm ²	1.5mm ²
Qty of cable	4	3

A Point of Testing

When installations incorporating electronic devices of the semiconductor type are being tested, care must normally be taken to ensure that they are not subjected to the output voltage of an insulation tester. However, dimmer switches complying with BS 5518 will not be damaged by the application of a normal 500V insulation resistance test. In all other cases where electronic items are fitted, they should be disconnected whilst the insulation of the installation is tested. A notice, drawing attention to the fact that electronic devices are incorporated in the installation, should always be affixed at the intake position. This also applies to any neon indicators fitted.

CO-AXIAL SOCKETS



Technical Specification

- Same plate size as standard single socket
- Co-Axial available as either direct connection or Isolated
- Isolated Co-Axial sockets are only suitable on installations with an earth bond
- IP rating is IP4X (unless stated)
- All products are tested to 250 Volt

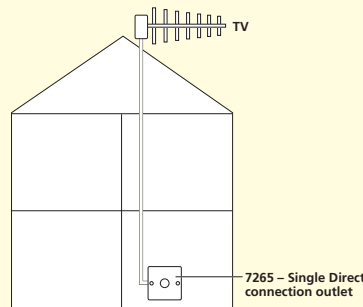
British Standards

Co-Axial

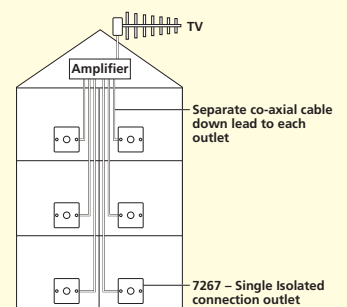
- CRABTREE Co-Axial Sockets are all type tested to BS 3041-7
- Radio-frequency connectors. R.F, Co-Axial connectors with inner diameter of output conductor 9.5mm with bayonet lock.
- Characteristic impedance 50 ohms (type C)

Co-Axial Terminal Capacities

Size of cable	9.5mm ² Co-Axial cable
Qty of cable	1



Single connection outlet Domestic installation



Co-axial outlet installation Communal aerial system eg flats, hotels etc

TELEPHONE SOCKETS



Technical Specification

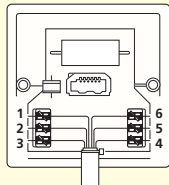
- Same plate size standard single socket
- IP rating is IP4X (unless stated)
- All products are tested to 250 Volt

British Standards

- BS 7671 IET wiring regulations

Wiring Colour Code

Pin Number	Base colour/stripe
1	Green/White
2	Blue/White
3	Orange/White
4	White/Orange
5	White/Blue
6	White/Green



Terminal Capacities

Size of cable	0.4mm ² - 0.68mm ²
Qty of cable	6

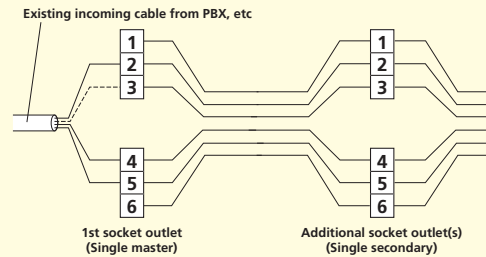
Wiring Diagrams

Example of typical connections:

- 1 Connections to 2 & 5
- 2 Earth recall (when used) connect to terminal 4
- 3 Connection to terminal 3 is not usually required

NB (a) Standard 4 wire cable is shown below as incoming cable. If terminals 1 and 6 (normally unused) are required, 6 wire cable may be used.

(b) All socket outlet connections are in parallel – any number of socket outlets can be connected, but it is recommended that only a maximum of 5 telephones be used at any one time on one line.



10AX & 20AX GRID SWITCHES



Technical Specification

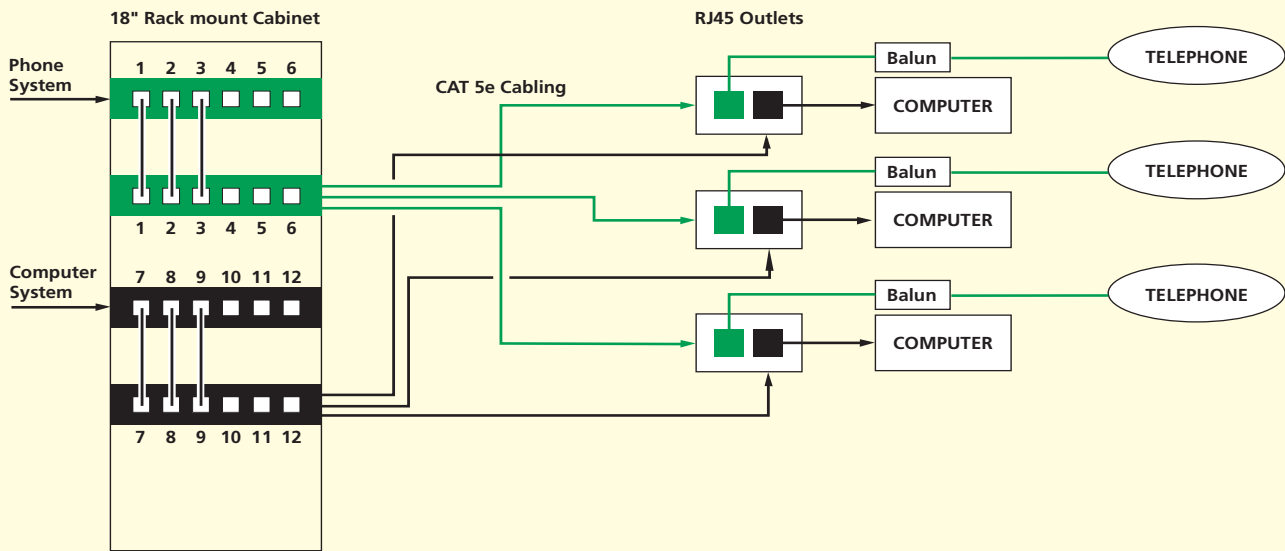
- Crabtree Plate switches are fully rated to 10AX or 20AX for fluorescent or inductive loads, except for the retractive switch
- Two way switches can be wired as one way
- Retractive switches are 10A or 20A rated
- Retractive switches can be wired either normally open (N/O) or normally closed (N/C) circuits
- IP rating is IP4X (unless stated)
- All products are tested to 250 Volt
- All Crabtree light switches can be fitted with a Crabtree seek light frame, please see relevant seeklight page for more detail

British Standards

- CRABTREE 10AX & 20AX grid switches are all type tested to BS EN 60669-1
- Switches for household and similar fixed-electrical installation

Terminal Capacities

Size of cable	2.5mm ²	4.0mm ²
Qty of cable	3	2



TELECOM MODULES

- Master voice module - BT 601 master
IDC connectors (Krone style)
Capacitor, lightning protection, resistor
- PABX voice module - IDC connectors
Capacitor, no lightning protection, (resistor optional)
- Secondary voice module - IDC connectors
- Master voice module (left handed) - BT 601 master
IDC connectors
Capacitor, lightning protection, resistor
Accepts left handed plug

BAND WIDTH/CAT

- Cat 4 - 20Mhz
- Cat 5 - 100Mhz
- Cat 5e - 160Mhz
- Cat 6 - 250Mhz
- Cat 6A - 500Mhz
- Cat7 - 600Mhz

NETWORK DATA SPEED

- 16Mbps
- 100Mbps
- 1Gbps
- 1Gbps
- 10Gbps
- > 10Gbps

DATA MODULES

- RJ45 Cat 5e - IDC connector blocks
Colour coding - socket/cable/patch panel
Tie wrap facility
Use as socket on ISDN system, multiple sockets "daisy-chained"
- ISDN Terminated (blue shutter) - RJ45 socket with 100 ohm resistor between pins 4 & 5 and one between pins 3 & 6
Ratio 8:1 use
- RJ11/12 - classified as data outlet, but used as telecom socket in Eire & USA
No capacitor accepts 6p6c plug (RJ12) and 6p4c plug (RJ11)

MEDIA MODULES AND ACCESSORIES

- Triplex unit - TV/SAT/FM splitter. One cable in, carrying combined signals, splits signal back into 3 parts. Each socket is screened, reducing susceptibility to noise distortion thus improving picture reception. 50mm x 50mm (double mod size)
- Quad plexer unit - TV/FM/SAT 1/SAT 2. One cable in carrying combined signals, splits back into 3 parts.
SAT 2 has a separate satellite output, for use with sky + and more complex installations.
Each socket is screened, reducing susceptibility to noise disturbance thus improving picture reception. 50mm x 50mm (double med size).
- USB unit - Dual USB 2 x 1A 5V - Accept 3 x 2.5mm² in the power terminals
- TV return - Screened TV module, used in conjunction with a distribution amplifier to distribute signals to other rooms
- BNC (female) - Accepts BNC male plug, 50 ohm or 70 ohm, as found on coaxial data systems (RG58, Ethernet) and CCTV installations

LAMP HOLDERS



5850



5851



3410



3422

Technical Specification

Safety Pendant Lampholder (5850)

- Wipe Clean contacts avoid lamp seizure to pins making for safe and easy lamp replacement

Safety Batten Lampholder (5851)

- Wipe Clean contacts avoid lamp seizure to pins making for safe and easy lamp replacement
- Batten lampholder has terminals for live, neutral, loop in and protective earth

Standard Batten Lampholder (3410, 3420, 3422)

- Non rising terminals
- Non stick skirt

British Standards

- Crabtree lampholders and batten lampholders are all type tested to BS EN 61184, T2 rating

Terminal Capacities

Size of cable	1.5mm ²
Qty of cable	1

CEILING ROSE



5860



5861



3443

Technical Specification

- Terminals for live, neutral, loop in and protective earth

Safety Ceiling Rose (5860)

- Cord grip prevents strain on the terminal wiring
- Suitable for service loads up to 2.5kg

Heavy Duty Ceiling Rose (5861)

- Internal cord fixing give maximum load capacity 15kg

Standard Ceiling Rose (3443)

- Fitted with integral terminal block

British Standards

- Crabtree ceiling rose are all type tested to BS 67

Terminal Capacities

Size of cable	1.5mm ²
Qty of cable	1

PENDANT SETS



5855



5856



5855/S



3450/LECFL

All Pendant sets are supplied fitted with appropriate length of heat resistant 0.75mm² twin core circular cord to BS 6141 for service loads up to 2.5kg

- 5855 comprises safety ceiling rose (5860) and safety lampholder (5850)
- 5856 comprises heavy duty ceiling rose (5861) and safety lampholder (5850)

- 5855/S comprises standard ceiling rose (3443) and safety lampholder (5850)
- 3450/LECFL comprises standard ceiling rose (3443) and low energy lampholder
- Will accept 10/13W G24q1 or 18W G24q2 4 pin plug in lamp (not supplied)

6AX, 16AX & 50A CEILING PULL CORDS



Technical Specification - 6AX and 16AX

- Crabtree ceiling switches are fully rated to 6AX or 16AX for fluorescent or inductive loads, except for the retractive switch
- Two way switches can be wired as one way
- Retractive switches are 6A rated
- Retractive switches can be wired either normally open (N/O) or normally closed (N/C) circuits
- Standard pull cord/acorn is 1.5m long in white
- Retractive pull cord/acorn is 2m long in red

Technical Specification - 50A

- Integral pattress for surface mounting
- Complies with requirements of the IEE wiring regulations (BS 7671) for the use as an isolating device
- Rated for non-inductive loads only
- comes with neon and mechanical indicator

British Standards

- CRABTREE ceiling pull cords are all type tested to BS EN 60669-1
- Switches for household and similar fixed-electrical installation

Terminal Capacities

Size of cable	1.5mm ²	2.5mm ²	10mm ²
Qty of cable - 6AX	3	-	-
Qty of cable - 16AX	-	2	-
Qty of cable - 50A	-	3	1

PVC TRUNKING



Technical Specification

COMPAK

- Fast and simple installation
- Will accept CAT 6, 6A and 7
- Flexible corners internal and external

MAXPAK

- Fast and simple installation
- Will accept CAT 6, 6A and 7
- Flexible corners internal and external

British Standards

- CRABTREE PVC Trunking are all type tested to BSEN 50085/ BS 6701 & BSEN 50174
- BSEN 50085 Cable trunking systems and cable ducting systems for electrical installations
- BSEN 50174 Information technology. Cabling installation. Installation specification and quality assurance

LUMINAIRE SUPPORT COUPLER (LSC)



Technical Specification

The LSC is forming an integral part of design installations for many major projects. In new installations the specifier may choose LSCs to offer a versatile lighting system. However, in projects where refurbishment is being undertaken the LSC system is seen as an ideal cost effective solution where hard wiring may already be in place.

- Static load 5kg
- 4 pin LSC plug has a red cover as standard
- Ceiling assemblies supplied as socket-outlet, LSC plug and cover

British Standards

- BS 7001
- BS 5773

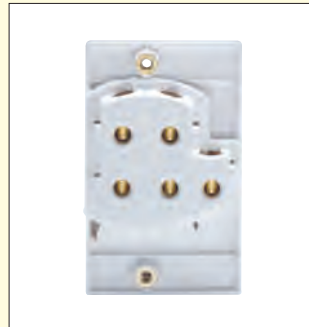
Terminal Capacities

Size of cable	2.5mm ²	4.0mm ²
Qty of cable	4	2

A Point of Testing

When installations incorporating electronic devices of the semi-conductor type are being tested, care must normally be taken to ensure that they are not subjected to the output voltage of an insulation tester. However, dimmer switches complying with BS 5518 will not be damaged by the application of a normal 500V insulation resistance test. In all other cases where electronic items are fitted, they should be disconnected whilst the insulation of the installation is tested. A notice, drawing attention to the fact that electronic devices are incorporated in the installation, should always be affixed at the intake position. This also applies to any neon indicators fitted.

LUMINAIRE DISTRIBUTION BOX (LDB)



Technical Specification

The 4 pin LSC Interiors are mounted in a combination of 6, 8 and 10 outlet configurations contained within a steel fabricated enclosure to provide a Luminaire Distribution Box, LDB.

- Internal connections are made to a terminal block for ease of wiring
- Sufficient side and rear knockouts allow entries for cable or conduit
- Raised mounting feet allow for installation on uneven surfaces

British Standards

- BS 7001
- BS 5773

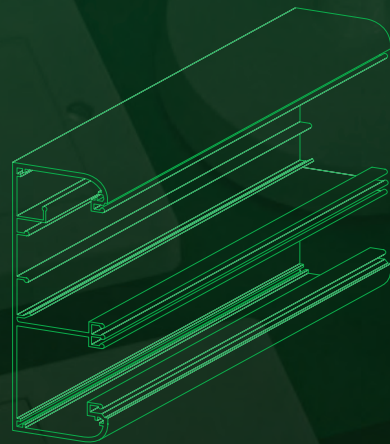
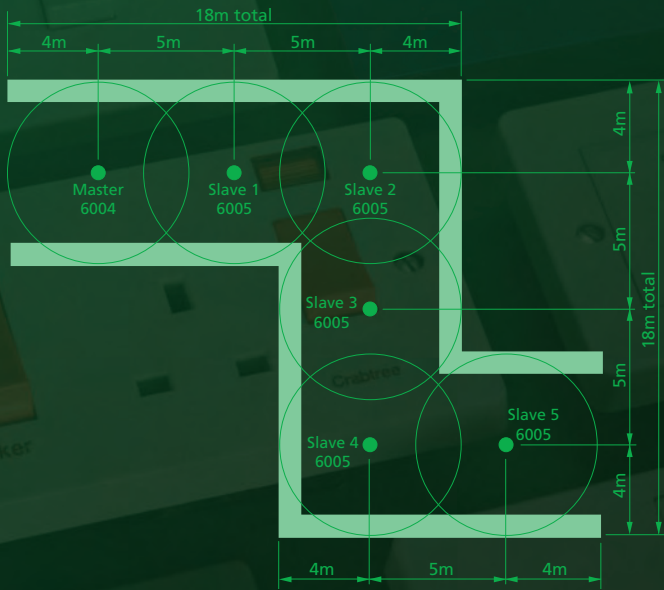
Terminal Capacities

Size of cable	2.5mm ²	4.0mm ²
Qty of cable	4	2

PRODUCT INFORMATION & LEGISLATION

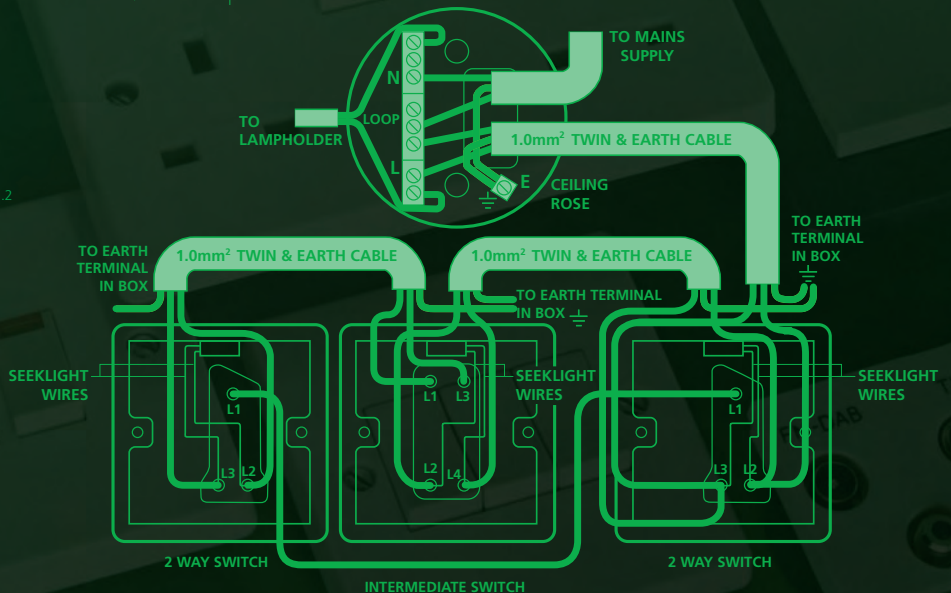
page

IP Ratings	122
Material Specification	123-124
Part M	125-126
Seeklight	127
Medical & Clean Earth Sockets	128
Occupancy Sensors - Master & Slave	129-130
Occupancy Sensors - Ceiling & Corridor	131-132
Occupancy Sensors - IP55	133-134
PVC Trunking - Compak	135-136
PVC Trunking - Maxpak	137-138



PRODUCT STANDARDS

- EN 55015:2006 + A1:2007
- EN 61547:1995 + A1:2000
- EN 61000-3-2:2006
- EN 61000-3-3:1995 + A1:2001 + A2:2005
- EN 60669-2-1:2004 + C1:2007 clause 26
- EN 60669-2-1:2004 + C1:2007
- EN 60669-1:1999 + A1:2002 + A2:2008 exc clause 19.102
101.1.1.2
101.3



The IP (International Protection) rating given to an enclosure states the degree of protection it offers by means of two digits. A summary of these is shown below; for a more detailed definition, see IEC 529: 1989, BS EN 60529: 1992.

FIRST DIGIT


Protection against solid foreign objects and access to hazardous parts

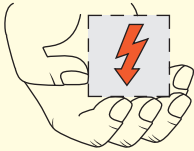
The first digit covers protection against penetration by solid objects, which includes hands and tools such as screwdrivers. At the lowest of seven levels, 0, no protection is offered, either of the equipment itself from damage by intrusion or of a person contacting live or moving parts. At the highest, 6, there shall be no entry of dust.


SECOND DIGIT


Protection against ingress of water


The second digit covers the degree of protection against the entry of water, on a progressive scale. For example, number 1 indicates that dripping water shall have no harmful effect, and number 6, that water projected in powerful jets against the enclosure from any direction shall have no harmful effects.


IP 0  **No protection**


1  **Protected against solid objects up to 50mm eg accidental touch by hands**


2  **Protected against solid objects up to 12mm eg fingers**


3  **Protected against solid objects over 2.5mm eg tools and wires**


4  **Protected against solid objects over 1mm eg tools, wires and small wires**


5  **Protected against dust – limited ingress, no harmful deposits**

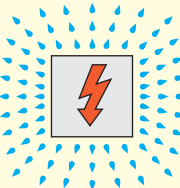
6  **Totally protected against dust**

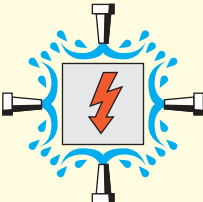
IP 0  **No protection**

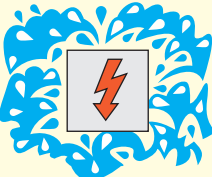
1  **Protected against vertically falling drops of water eg condensation**

2  **Protected against direct sprays of water up to 15° from the vertical**

3  **Protected against sprays of water up to 60° from the vertical**

4  **Protected against water splashed from all directions – limited ingress permitted**

5  **Protected against low pressure jets of water from all directions – limited ingress permitted**

6  **Protected against strong jets of water eg for use on ship decks – limited ingress permitted**

The letter X can be used in place of the first or second digit to indicate that tests have either not been made or are not applicable.

NOTE

In the event of additional holes being drilled/pierced or knockouts removed, suitable measures should be taken to restore the products to the original ratings.

IEC 529, BS EN 60529 does not apply to protection against the risk of explosion or conditions such as humidity, corrosive gases, fungi or vermin.

In certain cases equipment designed to be mounted in an enclosure will contribute towards the stated IP rating (eg pushbuttons mounted in an enclosure).

Different parts of enclosures can have different degrees of protection and still conform to the standard (eg enclosures with pre-drilled conduit entry).

FRONT PLATE & ROCKER MATERIAL SPECIFICATION
CAPITAL MOULDED
Front plate Moulded front plate

Base material Urea Formaldehyde

Rocker Moulded Rocker

Base material Polycarbonate

PVC TRUNKING
Lengths PVC

Base Material PolyVinyl Chloride

All components PVC

Base Material PolyVinyl Chloride

METAL PLATE

Front Plate	Capital Bronze (BZ)	Capital Satin Chrome (SC)	Highly Polished Chrome (HPC)
Base material	Mild Steel	Mild Steel	Mild steel
Process	1) Polished and brushed 2) Electrophoresis 3) Stoved	1) Polished and brushed 2) Nickel-chrome plated 3) Stoved	1) Polished plate 2) Electrophoretically laquered 3) Stoved
Rocker	WH moulded rocker as standard	WH moulded rocker as standard	WH moulded rocker as standard
Base Material	Polycarbonate	Polycarbonate	Polycarbonate
Interior	White interior as standard	White interior as standard	White interior as standard
Base Material	Polycarbonate	Polycarbonate	Polycarbonate

METAL PLATE

Front Plate	Capital Polished Brass (PB)	Polished Stainless Steel (PSS)	Stainless Steel (SS)
Base material	Mild Steel	Stainless Steel	Stainless Steel
Process	1) Polished plate 2) Electrophoresis 3) Stoved	1) Polished Steel plate	1) Stainless Steel plate
Rocker	WH moulded rocker as standard	WH moulded rocker as standard	WH moulded rocker as standard
Base Material	Polycarbonate	Polycarbonate	Polycarbonate
Interior	White interior as standard	White interior as standard	White interior as standard
Base Material	Polycarbonate	Polycarbonate	Polycarbonate

PLATINUM LOW PROFILE WHITE MOULDED
Front plate Moulded front plate

Base material Polycarbonate

Rocker Moulded Rocker

Base material Polycarbonate

PLATINUM LOW PROFILE METAL PLATE

Front Plate	Satin Chrome (SC/WH)	Polished Brass (PB)	Highly Polished Chrome (HPC)	Black Nickel (BKN)
Base material	Mild steel	Mild steel	Mild steel	Mild steel
Process	1) Polished and brushed 2) Electrophoretically lacquered 3) Stoved	1) Polished plate 2) Electrophoretically lacquered 3) Stoved	1) Polished plate 2) Electrophoretically lacquered 3) Stove	1) Polished plate 2) Painting finished 3) Stoved
Rocker	Satin Chrome (SC/WH)	Polished Brass (PB)	Highly Polished Chrome (HPC)	Black Nickel (BKN)
Base material	Cast Zinc	Cast Zinc	Cast Zinc	Cast Zinc
Process	1) Polished and brushed 2) Electrophoretically lacquered 3) Stoved	1) Polished plate 2) Electrophoretically lacquered 3) Stoved	1) Polished plate 2) Electrophoretically lacquered 3) Stoved	1) Polished plate 2) Painting finished 3) Stoved
Interior	White interior as standard	Black interior as standard	Black interior as standard	Black interior as standard
Base Material	Polycarbonate	Polycarbonate	Polycarbonate	Polycarbonate

FRONT PLATE & ROCKER MATERIAL SPECIFICATION

PLATINUM FLAT PLATE			
Front Plate	Stainless Steel (SS/WH)	Polished Brass(PB)	Polished Stainless Steel (PSS)
Base Material	Stainless Steel	Mild Steel	Stainless Steel
Process	1) Polished plate	1) Polished plate 2) Electrophoresis 3) Stoved	1) Polished plate
Rocker	Stainless Steel (SS/WH)	Polished Brass(PB)	Polished Stainless Steel (PSS)
Base Material	Cast Zinc	Cast Zinc	Cast Zinc
Process	1) Polished and brushed 2) Electrophoretically lacquered 3) Stoved	1) Polished and brushed 2) Electrophoretically lacquered 3) Stoved	1) Polished and brushed 2) Electrophoretically lacquered 3) Stoved
Interior	White interior as standard	Black interior as standard	Black interior as standard
Base Material	Polycarbonate	Polycarbonate	Polycarbonate

METALCLAD	
Front Plate	Industrial Grey (BG)
Base material	Mild Steel
Process	1) Polished plate 1) Iron phosphated

WEATHERSEAL	
Enclosure	Acrylonitrile Styrene Acylate
Rockers (external)	Acrylonitrile Styrene Acylate

ROCKERGRID PLATES				
Front Plate	White (WH) 1 - 6 Gang	White(WH) 8 - 24 Gang	Industrial Grey (BG)	Satin Chrome (SC)
Base material	Urea Formaldehyde	Mild steel	Mild Steel	Mild Steel
Process		1) Polished plate 2) Spray Painted	1) Polished plate 1) Iron phosphated	1) Polished and brushed 2) Nickel-chrome plated

ROCKERGRID PLATES				
Front Plate	Bronze(BZ)	Highly Polished Chrome(HPC)	Polished Brass(PB)	Polished Stainless Steel(PSS)
Base material	Mild Steel	Mild steel	Mild Steel	Stainless Steel
Process	1) Polished and brushed 2) Electrophoresis	1) Polished plate 2) Electrophoretically laquered	1) Polished and brushed 2) Electrophoresis	1) Polished and brushed 2) Nickel-chrome plated

ROCKERGRID				
Rocker	White Moulded	Black Moulded	Grey Moulded	Red Moulded
Base material	Polycarbonate	Polycarbonate	Polycarbonate	Polycarbonate

ROCKERGRID				
Rocker	Bronze (BZ)	Satin Chrome (SC/WH)	Highly Polished Chrome (HPC)	Stainless Steel (SS/WH)
Base material	Cast Zinc	Cast Zinc	Cast Zinc	Cast Zinc
Process	1) Polished and brushed 2) Electrophoretically lacquered	1) Polished and brushed 2) Electrophoretically lacquered	1) Polished and brushed 2) Electrophoretically lacquered	1) Polished and brushed 2) Electrophoretically lacquered

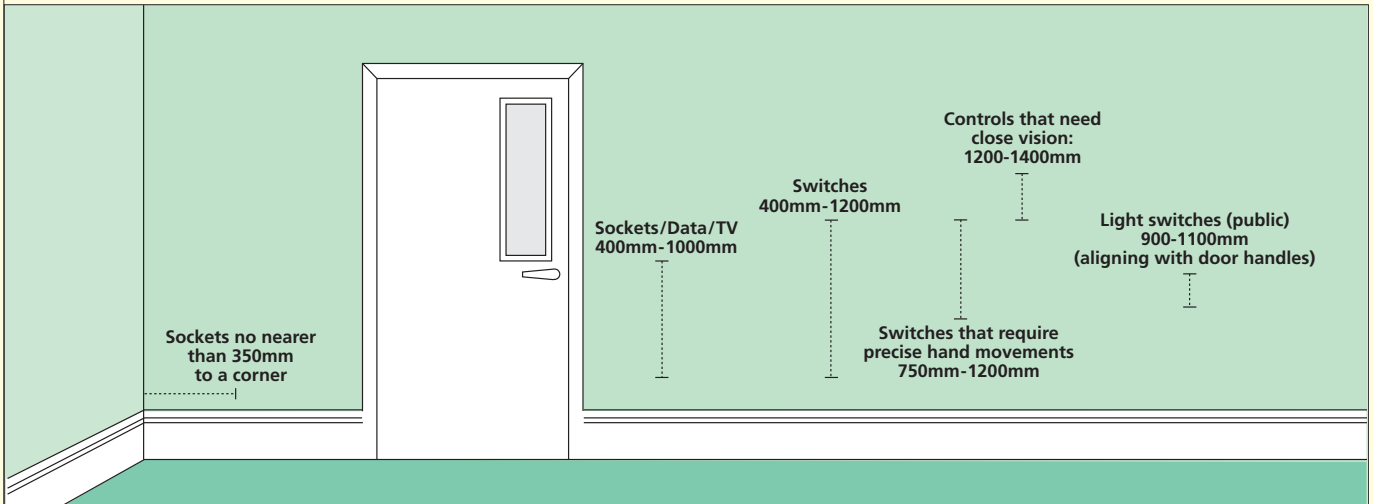
ROCKERGRID		
Rocker	Polished Brass (PB)	Polished Stainless Steel (PSS)
Base material	Cast Zinc	Cast Zinc
Process	1) Polished and brushed 2) Electrophoretically lacquered	1) Polished and brushed 2) Electrophoretically lacquered

There are a number of considerations that need to be met by the specifier or contractor of a buildings installation when covering reasonable provision for the access to and use of a buildings structure and facilities for a disabled person whether visiting, working or dwelling in them. Crabtree have continually been introducing and developing products throughout their range of wiring accessories to enable compliance with Part M.

Part M can be split into four sections:

- Height
- Visibility
- Operation
- Freedom from obstruction

MOUNTING HEIGHT AND POSITION



- Socket outlets, Telephone points and TV sockets are mounted at 400 - 1000mm with a preference for the lower range.
- Switches should be mounted at 400 - 1200mm unless needed at a higher level for particular appliances.
- Switches and controls that require precise hand movement (eg: Central Heating Controls) at 750 - 1200mm.
- Controls that need close vision at 1200 - 1400mm so that readings may be taken by a person sitting or standing.
- Light Switches for use by the general public align horizontally with door handles within the range 900 - 1100mm.
- Sockets no nearer than 350mm from room corners.

DESIGN CONSIDERATIONS

- There should be a consistent relationship with the doorways and corners to reinforce the ease with which people manipulate switches and controls.
- All users should be able to locate a control, know which setting it is on and use it without inadvertently changing its setting.
- Controls that contrast with their surroundings are more convenient for the visually impaired as are light switches that are activated by a large touch pad.
- It is an advantage if individual switches on panels and multiple socket outlets are well separated, or in the form of large touch plates to avoid the incorrect selection of an adjacent control by visually impaired people and people with limited dexterity.
- The colours red and green should not be used in combination as indicators of "on" and "off" for switches and controls. It may be useful to use text or a pictogram to clarify.

Visibility

- Front plates should contrast visually with their backgrounds.
- Mains and circuit isolator switches should indicate clearly if they are on or off.
- Switched socket outlets should indicate whether they are on.

Some may consider these requirements refer to the complete product contrasting with a wall, whilst others

may consider it is the switch that should contrast with its front plate. The regulation states that switches, outlets and controls will satisfy requirement M1 if: front plates contrast visually with their background.

The Crabtree Seek light assists in locating light switches in the dark.

Crabtree have considered both options in their product range of Platinum, the products can either have contrasting rocker to front plate which then could contrast with the back wall, or just contrast of front plate and wall.

Operation

- Light switches, which are to be used by the general public are encouraged to have large rockers at a height corresponding to the door handle, within the 900 - 1100mm range.

This would enable people with a physical disability or visual impairment to both locate and activate them easily.

The Crabtree range of electrical wiring accessories all come with a large concave rocker, with the 'Corinthian' range having an extra wide rocker.

Freedom from obstruction

- Light switches and controls should be 'well separated' or activated by a large push pad to prevent inadvertent operation.
- The operation of switches, outlets and controls does not require the simultaneous use of both hands, except where this mode of operation is necessary for safety reasons.

Where several switches on panels are required. In addition the Crabtree Rockergrid range provides a wide choice of switch options.

CRABTREE PRODUCT SELECTOR



Corinthian

A range of wide rocker 10AX lighting switches.

Seek Light

The Crabtree Seek Light as shown above assists in the location of the light switches in the dark. Seek light comes on when the switch is turned off. Seek light fits all Crabtree 1 gang switches.



Rockergrid

This modular system of boxes, grids, plates and switches can be quickly and easily assembled to customers' individual specifications enabling several circuits to be controlled from a single position.

The switches are a modular design that has a large concave rocker with a barrier between to avoid inadvertent selection of adjacent controls.



Capital Moulded

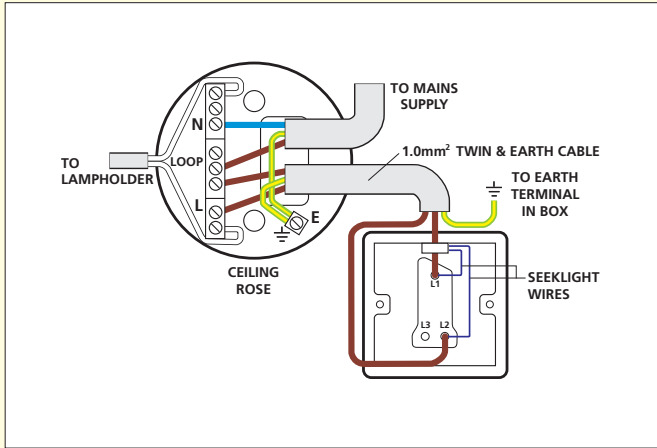
A range of power, control and lighting accessories.

	Plate Finish	Approx. LRV
	WHITE	74
	GREY - RAL 7012	12
	METALCLAD	34
	BLUE	13
	RED	14

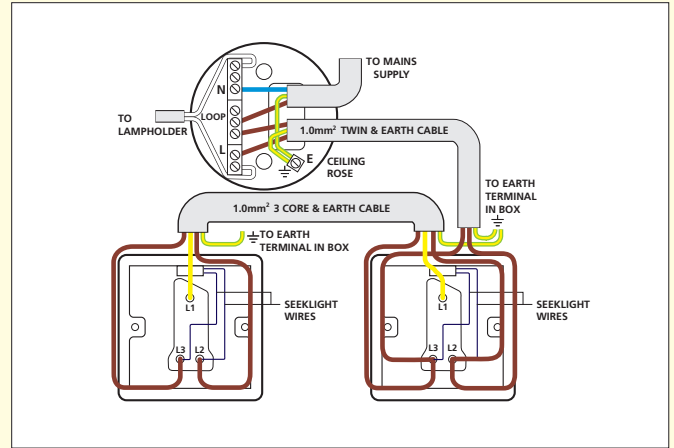
- 1 Before commencing work switch off the power supply by removing the fuse in the fuse box, or should isolate at main switch as neutral is a live conductor.
- 2 Connect seeklight wires as shown in diagrams below. Ensure terminal screws are properly tightened and no bare wire is visible. Push back unit into mounting box making sure conductors are not trapped.
- 3 Screw the unit to the mounting box.
- 4 Note: With the standard wiring configurations as described in the diagrams the Seeklight will only illuminate when the light it controls is off.
- 5 These products must be installed in accordance with the latest Building and IEE wiring regulations. If in any doubt, please contact a qualified electrician

PLEASE NOTE The LED 'Seeklight' must be disconnected when carrying out insulation testing to avoid a false reading

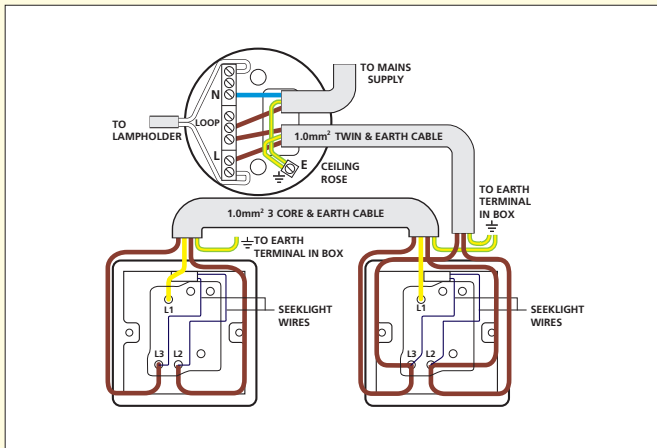
1 Gang 1 Way 10AX Switch with Seeklight



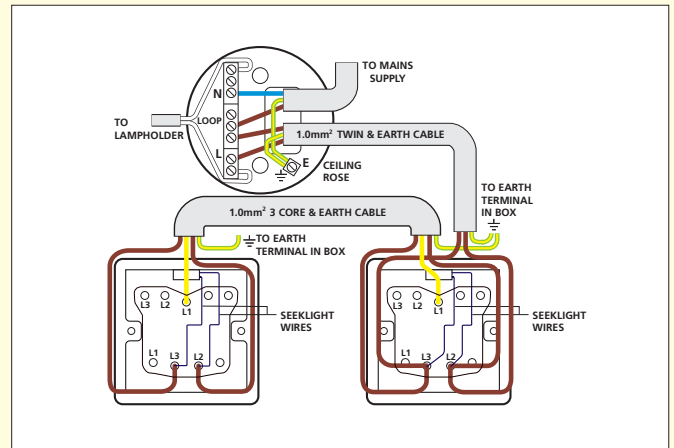
1 Gang 2 Way 10AX Switch with Seeklight



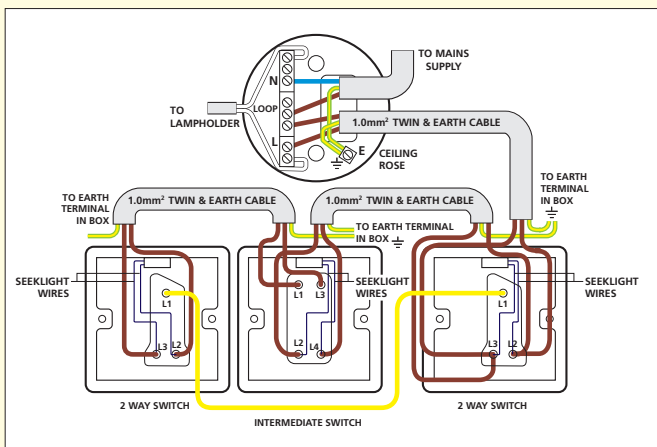
2 Gang 2 Way 10AX Switch with Seeklight



3 Gang 2 Way 10AX Switch with Seeklight



10AX Intermediate Switch with Seeklight



710 Medical Locations

It is intended to be used by healthcare organisations and medical device suppliers responsible for permanent electrical installation of medical devices and associated equipment.

The section covers electrical wiring and installation up to the terminals of permanently installed medical devices and to the supply outlets in new buildings, refurbished or upgraded rooms.

Section 710 requirements

710.553.1 states socket outlets intended to supply ME equipment shall be unswitched.

The Isolated Power Supply (IPS) is required to increase the supply resilience by reducing the impact of the first fault conditions downstream of the IPS. The IPS is usually combined with an Uninterruptable Power Supply (UPS) that prevents disruption of the supply owing to problems upstream of the UPS.

MEDICAL EQUIPMENT ONLY

Crabtree medical sockets are engraved with white RoHS compliant paint back fill MEDICAL EQUIPMENT ONLY in large, clear Helvetica Medium font, 6mm high.

710:553.1 states socket outlets used in medical IT systems shall be coloured blue and clearly and permanently marked 'MEDICAL EQUIPMENT ONLY'

Medical Sockets are all required to be clean earth.

The reasons for generating a clean earth

If a metal back box is used that is in contact with the building earth, a large amount of current can flow through this path if there is a significant difference in potential between the earth reference bar (ERB) and the building earth at that point. This condition is more likely to occur in an old building where there may be a link between earth and neutral elsewhere in the wiring. The fault current can create large amounts of noise into the equipment that is being fed from the supply.

The presence of this fault can often be demonstrated by measuring the touch voltage between the ERB and the earth of the portable device.

The problem can be reduced by eliminating the current path between the ERB and the building earth provided by the earth connection in the mains socket. I.e. Use of a clean earth socket.

High Integrity Earth

Twin earth terminals.

All standard Crabtree twin switched sockets include 2 earth terminals to allow one model to be used in all situations where high integrity installation are required. Regulation 543.7.1 & 543.7.2 include the needs of high integrity earth protection as "... requires an accessory to be provided with 2 separate earth terminals"

Clean Earth.

Twin earth terminals for both earth bars

The Crabtree clean earth and Medical range are what we believe, the first complete clean earth 2 gang sockets providing 2 earth bars completely separated and easily identified, with 2 terminals on the functional earth and 2 earth terminals on the clean earth.

Metal Back box

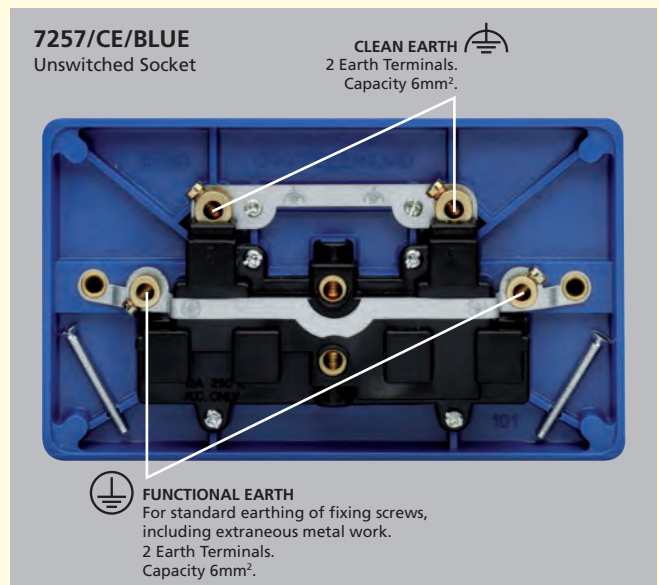
The clean earth cable would be connected directly to the clean earth terminal on the clean earth busbar mounted on the top section of the socket marked with ⚡ (clean earth symbol)

The functional earth cable would be connected directly to the metal back box earth terminal, which then would be connected to the functional earth terminal on the busbar mounted on the middle section of the socket marked with ⊕ (functional earth symbol)

Insulated Back box

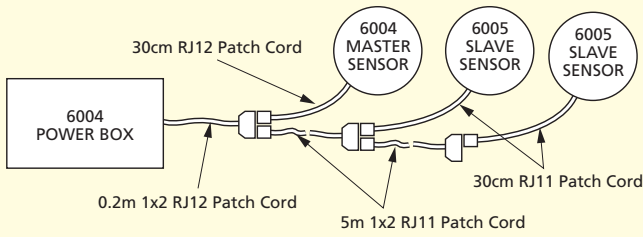
The clean earth cable would be connected directly to the clean earth terminal on the clean earth busbar marked with ⚡

The functional earth cable would be connected directly to the functional (dirty) earth terminal on the busbar marked with ⊕



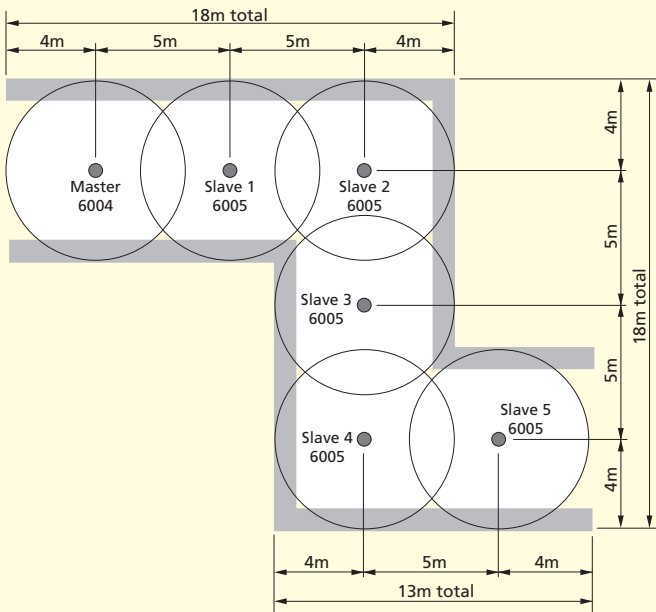
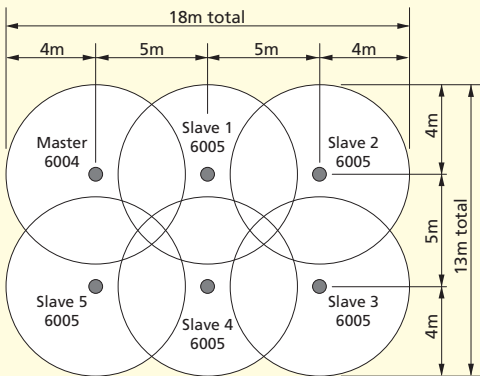
CEILING FLUSH-MOUNT MASTER & SLAVE OCCUPANCY SENSOR 6004 & 6005

Each power box can have not only one MASTER sensor but also can extend flexibly up to 5 SLAVE sensors.



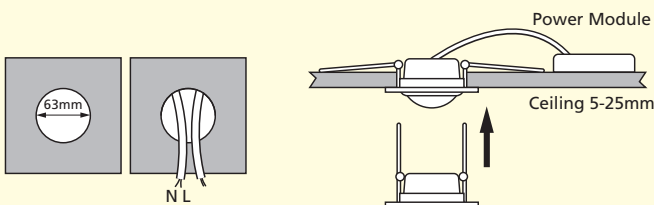
NOTE: Master x1 – Slave x5

Typical maximum layout of master followed by 5 slaves



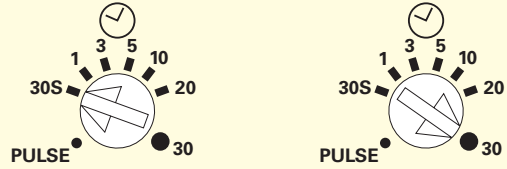
Determine the best location for the sensor. Install the sensor at least 1m away from fluorescent and HVAC ducts, and at least 1.3m away from incandescent fixtures and HVAC diffusers.

1. Determine the best location for the sensor.
2. Drill a 63mm diameter hole in the ceiling. The thickness of the ceiling must be between 5mm and 25mm.
3. Insert the power module into the ceiling first and then fix the sensor with metal spring as shown.



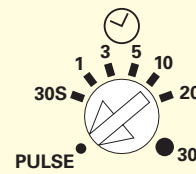
ADJUSTMENTS

The sensor has an adjustable “TIME ON” control from 30 seconds minimum to a maximum of 30 minutes. Light will remain on for the setting time interval after the last movement is detected. While there is movement from a heat source in the detecting area the lighting will remain on and the time will keep resetting.



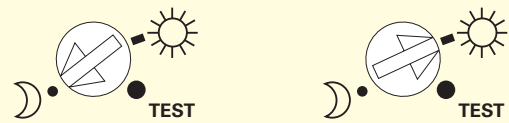
Master only

If time adjustment is set to PULSE, the sensor will enter short pulse mode. In short pulse mode, the sensor will send a signal to the device. The signal will be 1 sec ON and 9 sec OFF.



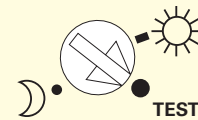
Master only

The LUX adjustment controls the light level at which the unit will switch on the light when movement is sensed. If set to the maximum position, it will switch during daylight. If set to the minimum position, it will operate only in total darkness. Ideally it should be set at dusk or in the light conditions under which the sensor and lights are expected to operate.



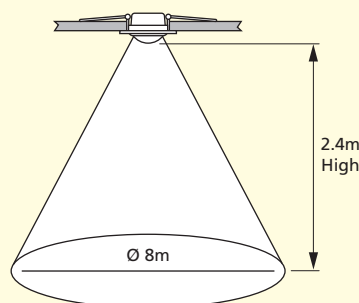
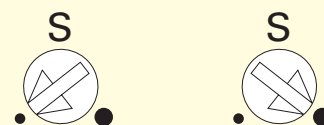
Master only

If LUX adjustment is set to maximum, the sensor will enter TEST mode. In TEST mode, the light will turn on for 3 sec when PIR is triggered. Check the detection area and adjust sensor to the desired angle. Afterwards, it can be switched back to desired time setting.



Master only

The sensor adjustment controls the detection range. If set to the maximum position, the detection range is about 4m radius. If set to the minimum position, the detection range is about 0.5m radius.



HEIGHT	RADIUS (M)
2.3	3.5
2.4	4
3.0	5.5

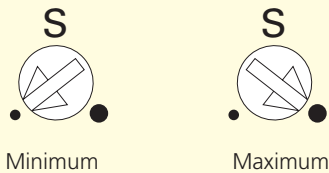
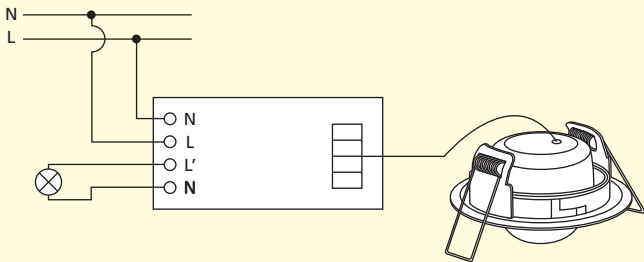
SPECIFICATION:

1. POWER: 220V to 240V ~ 50Hz.
2. Detection range: refer to fig. 1.
3. Time adjustment: 30 sec, 1min, 3min, 5min, 10min, 20min, 30min (apply to Master sensor only)
4. Lux adjustment: 'Light level' sensing from 5 to 1000 Lux. (apply to Master Sensor only)
5. Sensitivity adjustment: 0.5m to 4m radius.
6. Switching capacity: 1800W incandescent light / 1100VA fluorescent light / 1100VA Energy saving lamp
7. Master sensor can be connected to up to 5 slave sensors.
8. Warm up: 60 sec.
9. Test mode: Lux adjustment switch to maximum. Light turns on for 3 sec in each trigger.
10. Short time pulse mode: Time adjustment switch to minimum. 1 sec ON, 9 sec OFF.
11. Operating temperature: -10°C to +40°C.
12. Storage temperature: -25°C to +70°C.
13. Terminal capacity: 2 x 1.5mm².

WIRING:

Warning: Products should be installed by a qualified electrician. Ensure that the sensor is fixed securely to the ceiling without any movement.

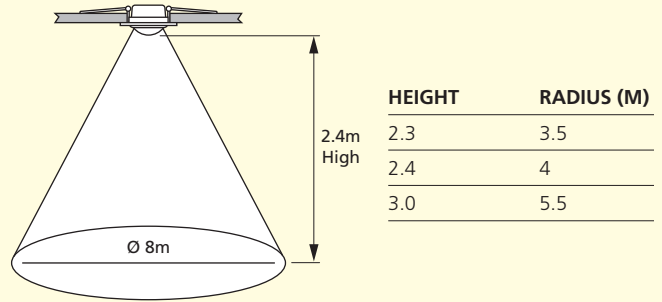
1. The phase (L) and neutral (N) conductors of the supply cable are connected according to terminal assignment.
2. The OUTPUT phase (L') and neutral (N) conductors are to be connected to the load terminals marked L' and N.



PRODUCT STANDARDS

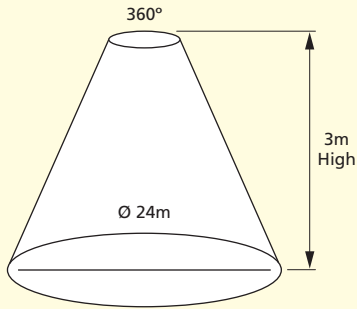
- EN 55015:2006 + A1:2007
- EN 61547:1995 + A1:2000
- EN 61000-3-2:2006
- EN 61000-3-3:1995 + A1:2001 + A2:2005
- EN 60669-2-1:2004 + C1:2007 clause 26
- EN 60669-2-1:2004 + C1:2007
- EN 60669-1:1999 + A1:2002 + A2:2008 exc clause 19.102
101.1.1.2
101.3

FIG. 1

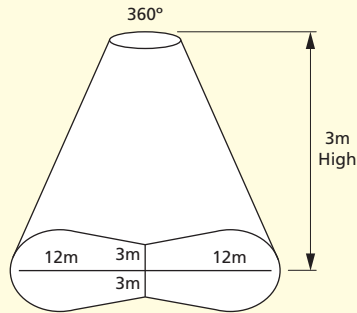


6001/6002 CEILING & CORRIDOR MOUNT INDOOR MOTION SENSOR

DETECTION RANGE



6001	
HEIGHT	RADIUS (M)
2.3	10
2.5	11
3.0	12

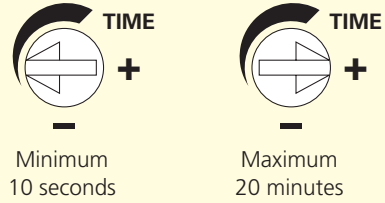


6002	
HEIGHT	RADIUS (M)
2.5	11
3.0	12

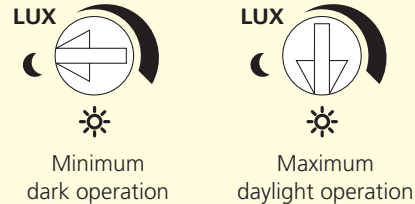
NOTE: 6002 detection range is achieved by aligning the double arrow \longleftrightarrow along corridor.

ADJUSTMENTS

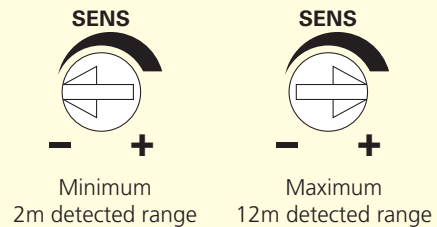
The sensor has an adjustable "TIME ON" control from 10 seconds minimum to a maximum of 20 minutes (approx). Light will remain on for the setting time interval after the last movement is detected. While there is movement from a heat source in the detecting area the lighting will remain on and the time will keep resetting.



The LUX adjustment controls the light level at which the unit will switch on the light when movement is sensed. If set to the maximum position, it will switch during daylight. If set to the minimum position, it will operate only in total darkness. Ideally it should be set at dusk or in the light conditions under which the sensor and lights are expected to operate.



The sensor adjustment controls the detection range. If set to the Maximum position "+", detection range is approximately 12m radius, if set to the Minimum position "-", detection range is approximately 2m radius.



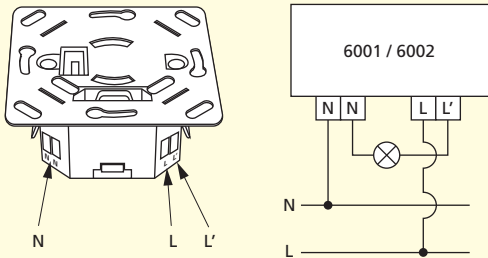
SPECIFICATION:

1. POWER: 220V to 240V ~ 50Hz.
2. Fuse: T6.3A, 250VAC.
3. Time adjustment from 10sec to 20min.
4. Lux adjustment: 'Light level' sensing from 2 Lux to 1000 Lux.
5. Range of detection from 2m to 12m radius. Detection range can be adjusted using the supplied shroud stickers
6. Switching capacity: 1000W incandescent light / 500VA fluorescent light / 500VA Energy saving lamp.
7. 6001/6002 detection range: please refer to the fig.2.
8. Auto mode / Test mode / Timer mode.
9. Operating temperature: -10°C to +40°C.
10. Storage temperature: -25°C to +70°C.
11. Terminal capacity: 2 x 1.5mm².

WIRING:

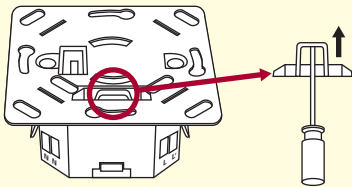
Warning: Products should be installed by a qualified electrician. Ensure that the sensor is screwed securely to the ceiling without any movement.

1. The phase (L) and neutral (N) conductors of the supply cable are connected according to terminal assignment.
2. The output (or load) phase (L') and neutral (N) connectors are to be connected to the load terminals marked L' and N.



INSTALLATION:

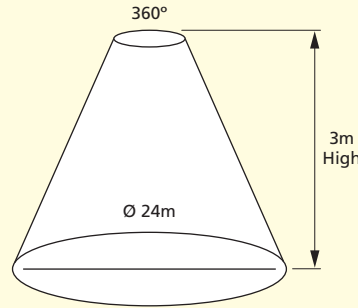
1. Fuse can be replaced by using a screwdriver to pull up the fuse.



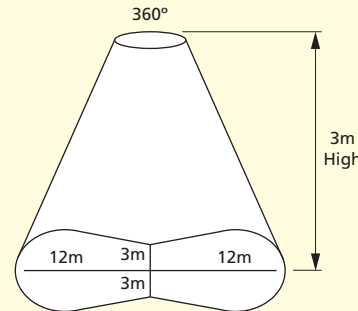
PRODUCT STANDARDS

- EN 60669-1:1999 + A1:2002 + A2:2008
- EN 60669-2:2004 + A1:2009
- EN 55015:2006 + A1:2007 + A2:2009
- EN 61000-3-2:2006
- EN 61000-3-3:2008
- EN 61547:1995 + A1:2000

FIG. 2



6001	
HEIGHT	RADIUS (M)
2.3	10
2.5	11
3.0	12



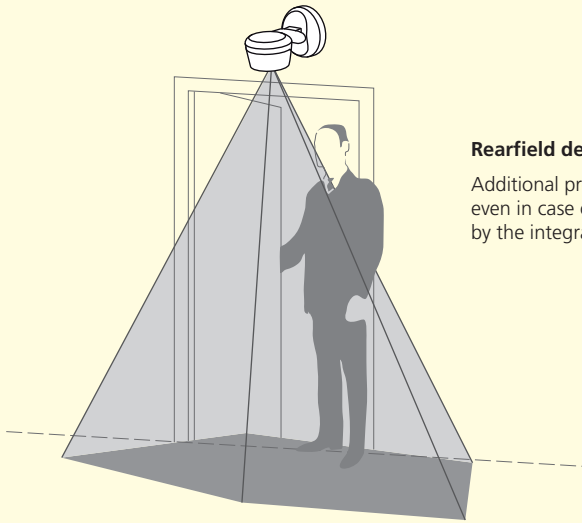
6002	
HEIGHT	RADIUS (M)
2.5	11
3.0	12

NOTE: 6002 detection range is achieved by aligning the double arrow ←→ along corridor.

MINDER PASSIVE INFRARED SENSORS

The Minder is a multi-adjustable, passive infrared movement detector. People and animals radiate heat, which is invisible to the human eye (infrared range). Consequently, the recorded infrared energy pattern changes when they enter the detection zone

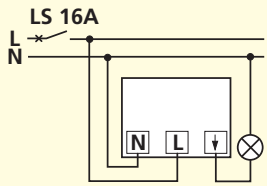
DETECTION RANGE DIAGRAMS



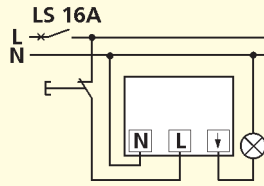
Rearfield detection

Additional protection for windows and doors up to the wall of the house, even in case of installation directly above doors and windows, is provided by the integrated rearfield detection.

Standard Connection



With Break Switch



TECHNICAL DATA

Horizontal range of detection	90°	220°	280°
Max. frontal range	12m	16m	16m
Max. bilateral range	6m	16m	10m
Water protection	IP55	IP55	IP55
Switch off delay	1-3-5min	10 sec-30min	10 sec-30min
Dusk sensor, in Lux	3/15/Lux	0,5-300/Lux	0,5-300/Lux
Switching Capacity	3680 W/VA	3680 W/VA	3680 W/VA
Max switching Current	16AX	16AX	16AX
Operating Temperature	-25°C - +55°C	-25°C - +55°C	-25°C - +55°C

INSTALLATION

The Minder functions optimally when installed lateral to walking direction. When selecting the installation site, ensure that:

- The minder is not covered by rigid or moveable objects (e.g. roofing elements, branches of tree, etc.).
- When unit is installed above, or lateral to luminaires, a minimum distance is always allowed between the unit and the luminaire, in order to prevent maloperation.
- when the unit is installed below luminaires, it is not heated up as a result of radiant heat from the luminaire.

When mounted at a height of 2.5m, the detection range is as above mentioned, though deviations in the mounting height cause changes in the detection range. In the case of special conditions at the site (e.g. rows of trees, small plot of land, proximity to road, etc.) the enclosed masking strip can be used to restrict the detection range by sticking it on the Minder lens.

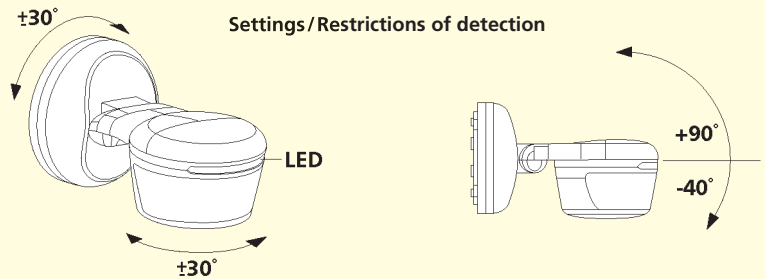
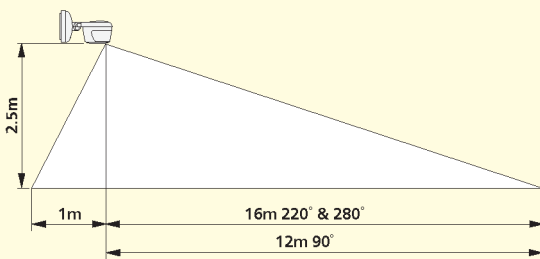
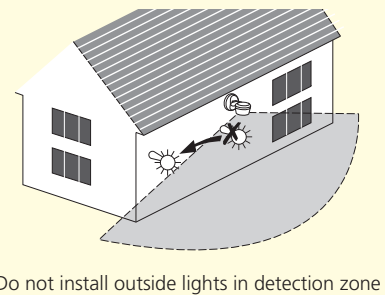
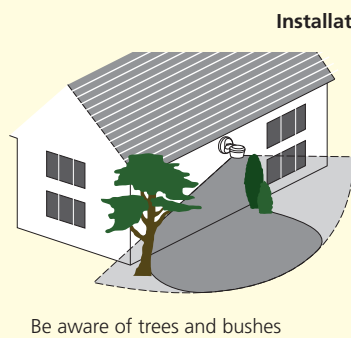
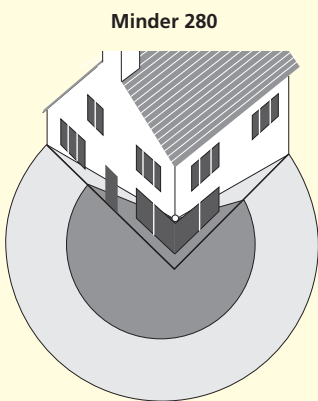
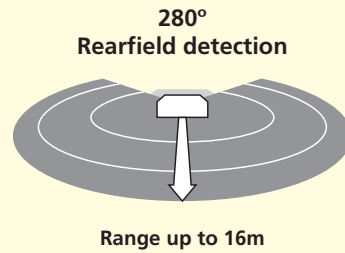
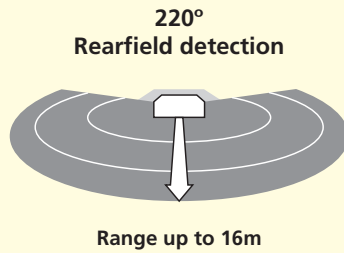
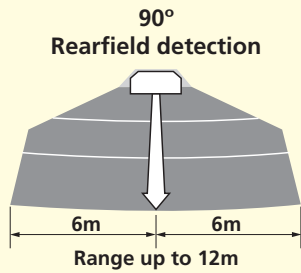
MINDER FAULT FINDING ANALYSIS

NATURE OF FAULT	REASON FOR FAULT	REMEDY
Minder does not operate	Lens covered or dirty	Check power supply, uncover and/or clean lens
Inadvertent operation of Minder	Hot air or smoke e.g. out of kitchens activate Minder	Install Minder at a different location
Lamp is permanently on	Permanent movement in the monitored area	Make sure that no heat source is in the detection zone and wait until adjusted time lapse has run down.. For control purposes, please cover the lens completely.
	Minder is bridged to manual operation by additional switch	Switch to automatic operation

MINDER PASSIVE INFRARED SENSORS

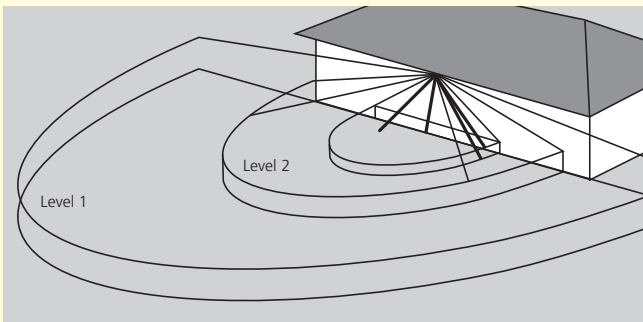
The Minder is a multi-adjustable, passive infrared movement detector. People and animals radiate heat, which is invisible to the human eye (infrared range). Consequently, the recorded infrared energy pattern changes when they enter the detection zone

DETECTION RANGE DIAGRAMS

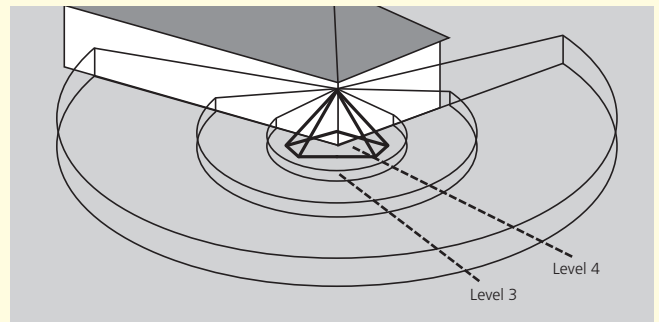


The various detection levels

To fully cover the surveillance zone, the Fresnel lens splits the zone into several overlapping levels.



Levels 1 and 2 cover remote surveillance and ensure seamless detection when the surveillance zone is entered from the outside.



Level 3 covers close range detection to prevent undetected entry of the surveillance zone close to the wall.

Level 4 covers the **rearfield detection**, which is activated when the front door is opened from the inside.

COMPAK COMPACT CABLE MANAGEMENT SOLUTION



Made in the UK and Europe

COMPAK trunking lengths and accessories are designed, developed and manufactured in the UK and Europe.

Clean aesthetics

The Crabtree COMPAK PVC trunking has a clean unobtrusive design which helps the trunking blend into the building aesthetics.

Fast, easy access

Open design provides full cable support during cable loading for both top and bottom compartments with easy open access and no lids or other components in the way.

Divider option

A PVC divider is available for segregation of the bottom compartment (3 compartment) or for certain installations no separator is required at all (2 compartment).

Cabling capacity

With 30% more cabling capacity than similarly sized data trunking systems, Crabtree COMPAK gives greater flexibility to the specifier / installer when catering for projects with different cabling requirements room by room. No cable capacity reduction at corners.

Perfect alignment with fast and simple installation

When joining two lengths or corners together perfect alignment is easily and quickly achieved by using the dowel pins supplied.

One-piece clip-on accessories

One piece joint covers, corner covers and end caps simply clip into place and are less time consuming to fit than systems that have two or more separate parts.

Standards

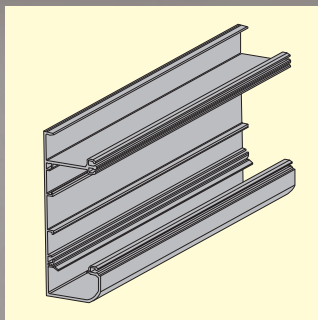
The development of COMPAK has been in accordance with the requirements of BSEN 50085/ BS 6701 & BSEN 50174. The COMPAK trunking fully meets the requirements for Cat 5E, 6, 6A and 7 cables, particularly regarding the minimum bend radius and circuit segregation.

Pre-punched knockouts

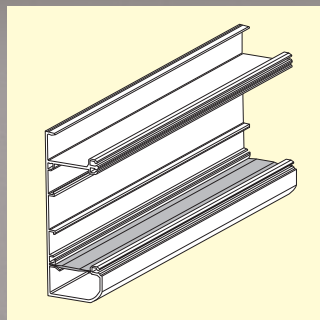
Pre-punched knockouts on the top shelf give installers quick access to power and data sockets. Simply apply pressure on the knockout and push out without the requirement for time consuming tools to drill holes to put cables through.

Pre-punched base

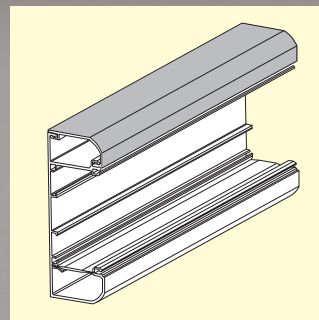
For speedy installation, the base profile is supplied pre-punched.



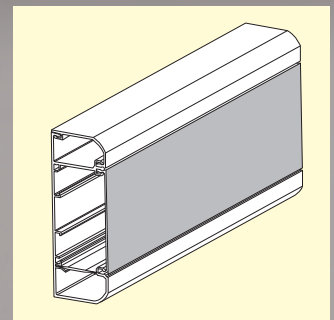
Trunking base



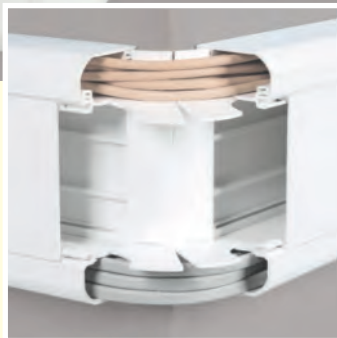
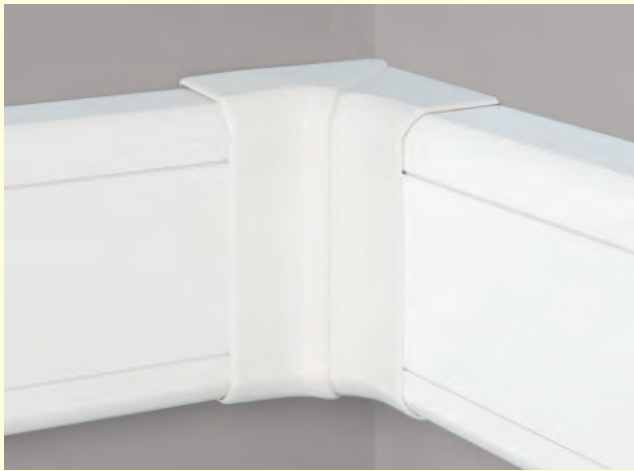
Trunking base + PVC divider



Trunking base + PVC divider + top lid



Trunking base + PVC divider + top lid + main lid



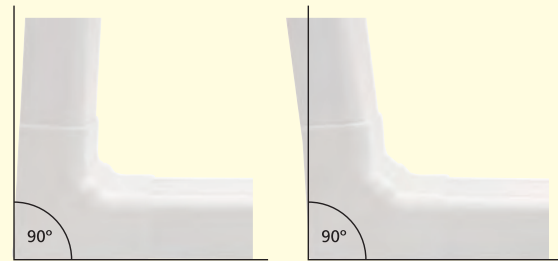
Flexible internal and external corners

Crabtree COMPAK PVC trunking range comes with truly flexible angle corners, both internally and externally.

The injection moulded internal and external corners offer ribbed inside supports. This provides gentle cable support around the corners ensuring cables are smoothly guided around the corner preventing kinking and twisting thus providing a safe and faster installation giving an improved cable performance, with no cable capacity reductions on internal and external bends.

These truly variable angle corners allow for walls which are not 90° true. The inner flexibility of the corner pieces enable both the internal and external corners to flex + or - 5°. The Crabtree flexible corner offers installers a faster and more reliable way to install the cables whilst offering a clean and smooth professional finish.

Internal and external corner inserts also include built in guide pins to provide a more accurate and precise fast alignment of the Crabtree COMPAK trunking.



Flat angles and T pieces

The moulded Flat angles and T pieces are robust and professionally finished to provide an excellent appearance to a project.

Again Crabtree COMPAK data's symmetrical design makes life easier for the installer with only one flat angle or T piece to purchase and install rather than different options for up and down.



MAXPAK HIGH CABLING CAPACITY



Made in the UK and Europe

MAXPAK trunking lengths and accessories are designed, developed and manufactured in both the UK and Europe.

Clean aesthetics

The Crabtree MAXPAK PVC trunking has a clean design which helps the trunking blend into the building aesthetics.

Through the use of an adaptor both the Crabtree MAXPAK and COMPAK can be installed together, offering consistent aesthetics

Fast, easy access

Open design with large accessible compartments on both the top and bottom with no lids or other components in the way, cables can be quickly installed on the Permanent cable supports from below without kinking or bending, providing safe and fast installation of cabling

Clip-on accessories

Injection moulded flat angles, T pieces, Internal and External corners enable clean, quick and easy installation, due to the flexible modular system

Cabling capacity

The deepest trunking in its class with a depth of 65mm, enabling better handling of power and data cables. High data cable capacity with 4060mm² cross section area which is over 10% more capacity than nearest competitor. No cable capacity reduction at corners.

Perfect alignment with fast and simple installation

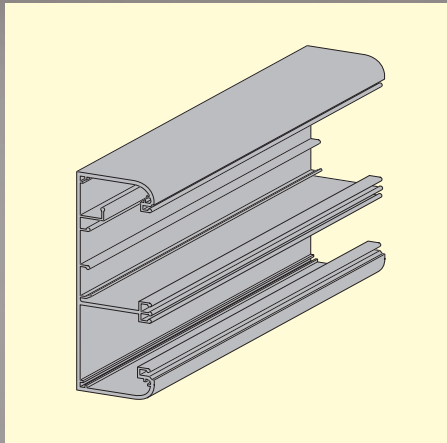
When joining two lengths or corners together perfect alignment is easily and quickly achieved by using the dowell pins provided.

Security rivets

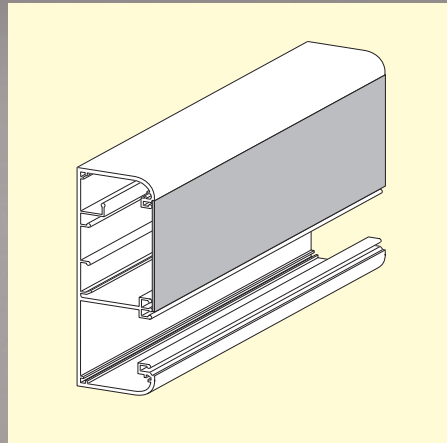
Discreet and effective security rivet fixings, ideal for areas that are open for high public access.

The development of MAXPAK has been in accordance with the requirements of BSEN 50085/ BS 6701 & BSEN 50174.

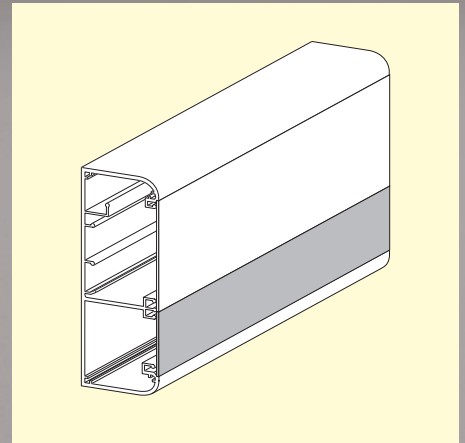
The MAXPAK trunking fully meets the requirements for Cat 5E, 6, 6A and 7 cables, particularly regarding the minimum bend radius and circuit segregation.



Trunking base



Trunking base + top lid (main lid)



Trunking base + top lid + bottom lid (small lid)

MAXPAK HIGH CABLING CAPACITY

Flexible internal and external corners

Crabtree MAXPAK PVC trunking range comes with truly flexible angle corners, both internally and externally

The Injection moulded internal and External corners offer ribbed inside supports. This provides gentle cable support around the corners ensuring cables are smoothly guided around the corner preventing kinking and twisting thus providing a safe and faster installation giving an improved cable performance, with no cable capacity reduction on internal and external corners.

These truly variable angle corners allow for walls which are not 90° true. The inner flexibility of the bend pieces enable both the internal and external corners to flex + or - 5°.

The Crabtree flexible corner offer installers a faster and more reliable way to install the cables whilst offering a clean and smooth professional finish.

Internal and External corner inserts also include built in guide pins to provide a more accurate and precise fast alignment of the Crabtree MAXPAK trunking

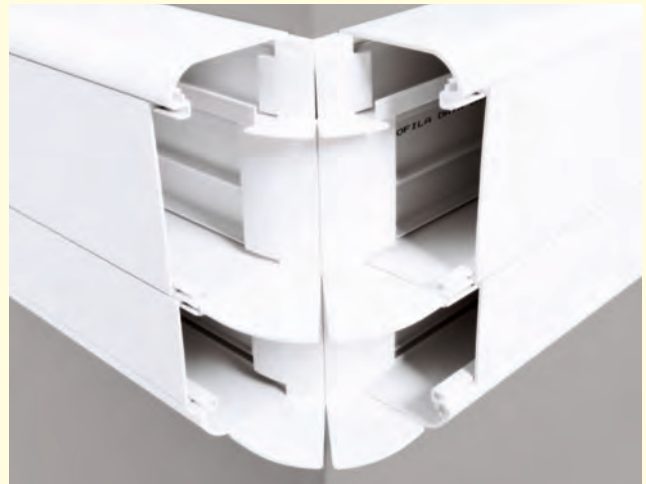
Flat angles and T pieces

A unique modular system

The nature of asymmetrical trunking profiles implies a prefabricated solution for some fittings such as Flat angles and T pieces, up as well as down. This situation increases the number of products required to complete installations. Most manufacturers offer accessories produced by joining sections of the same trunking cut at 45°.

The result is labour intensive and detracts from the overall look of the finished installation.

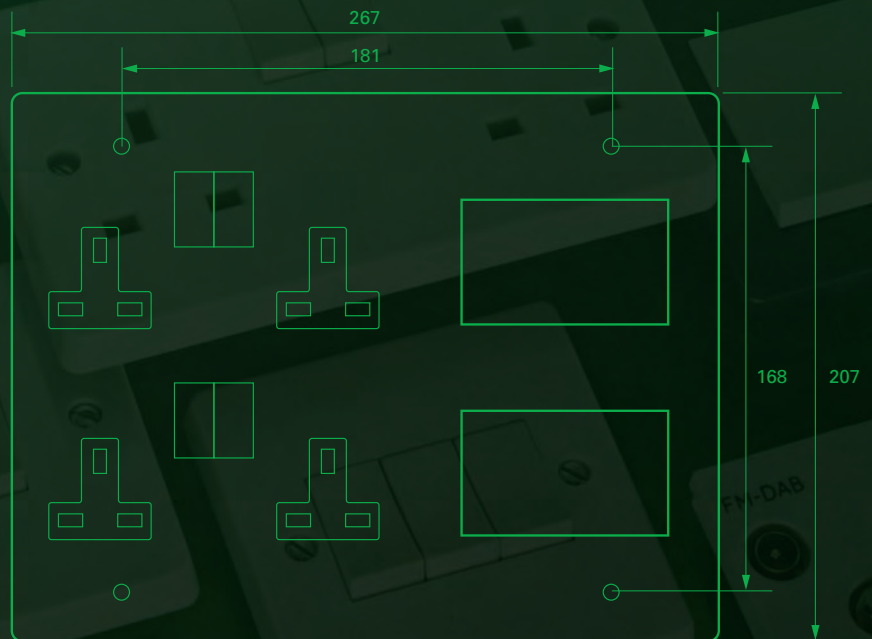
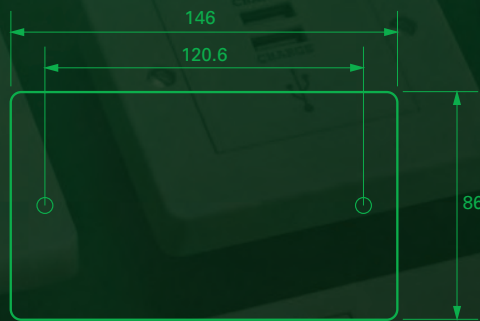
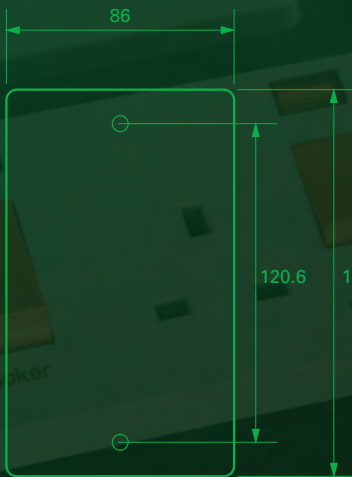
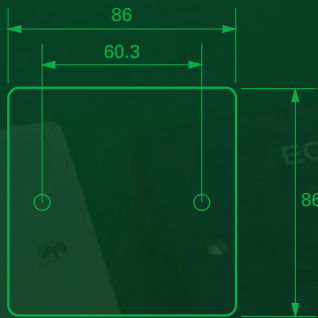
Crabtree's revolutionary modular system allows the configuration of the six most common solutions with a limited number of components. These are manufactured in quality polymer materials with Fire Retardant properties.



DIMENSIONS

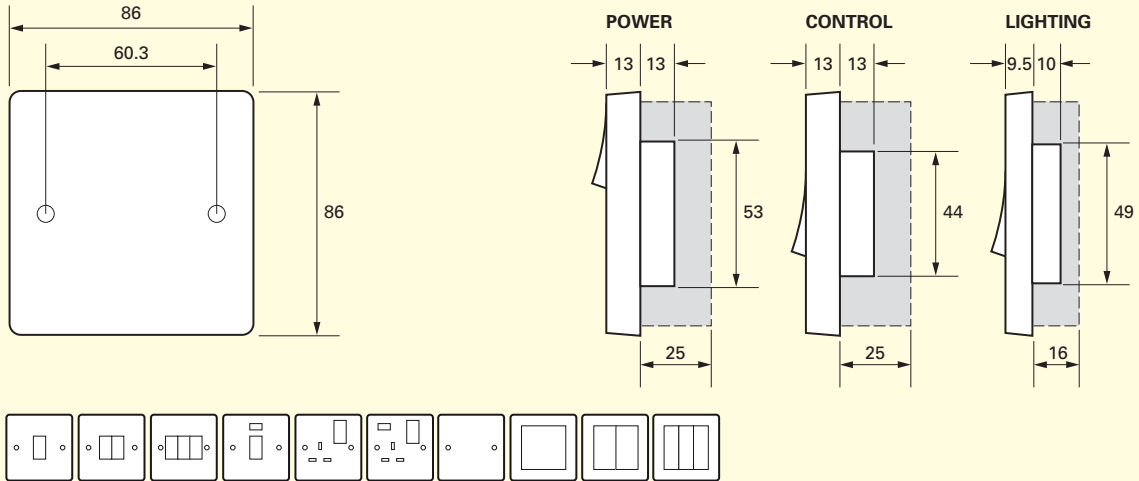
page

Capital Moulded - 1 gang, 2 gang horizontal & vertical	140
Capital Moulded - Others	141
Ceiling Mount	142
Metal Plate	143
Platinum Low Profile White Moulded	144
Platinum Low Profile Metal Plate	145
Platinum Flat Metal Plate	146
Metal Clad	147
Weatherseal	148
Rockergrid Flush Mount Plates	149
Rockergrid Surface Mount Plates	150
Rockergrid Back Boxes	151
PVC Trunking	152

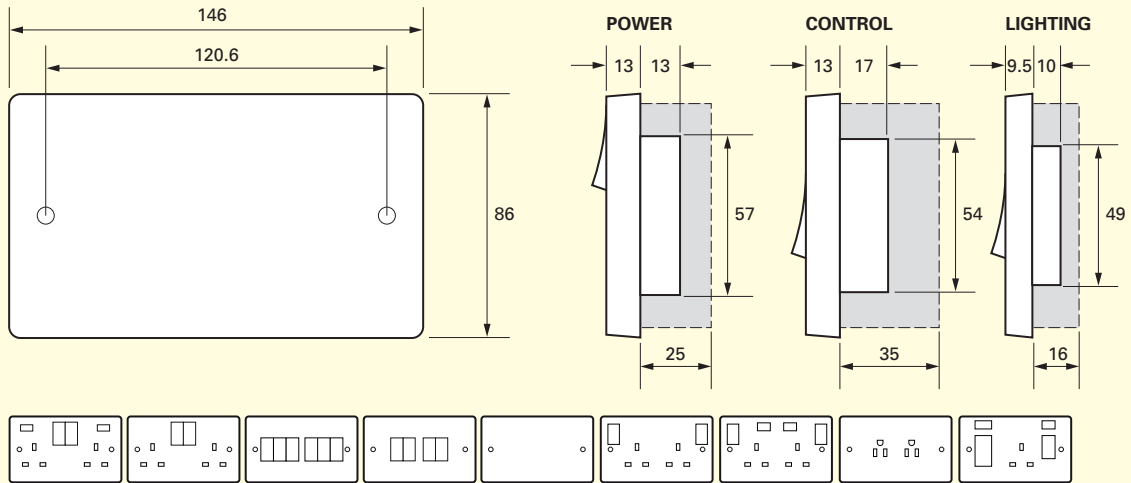


CAPITAL MOULDED - DIMENSIONS WALL MOUNTED

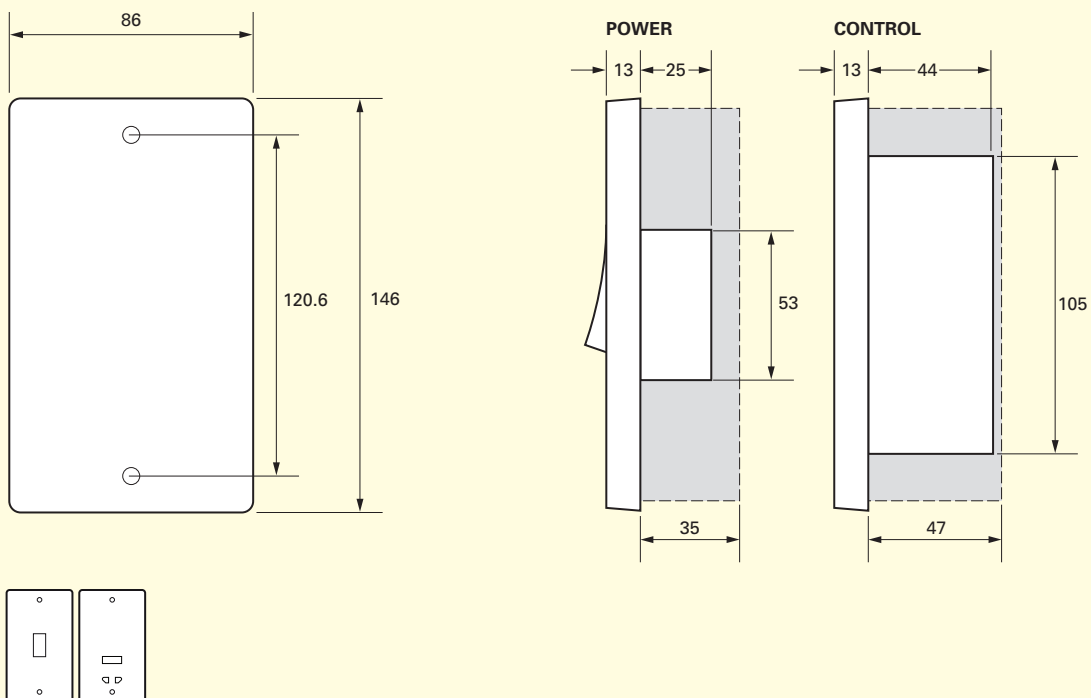
1 Gang Moulded

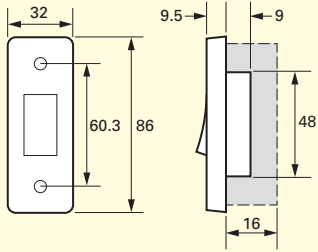


2 Gang Moulded

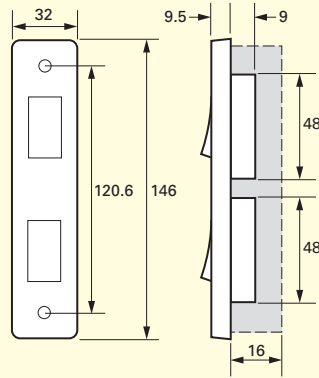


2 Gang Vertical Moulded

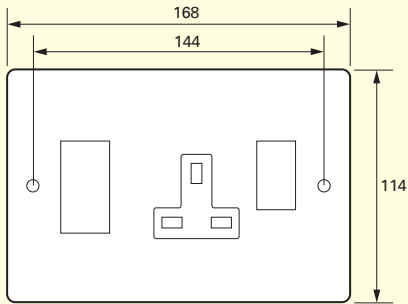




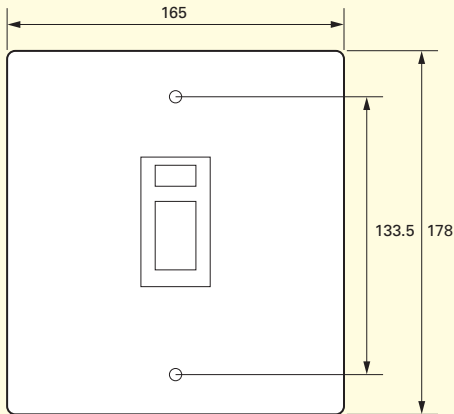
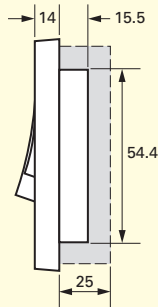
1 Gang Architrave



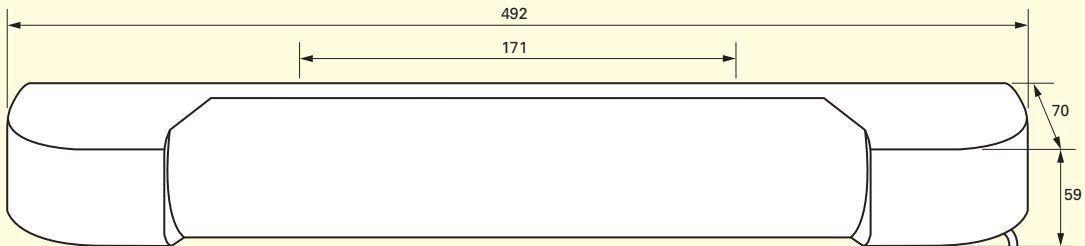
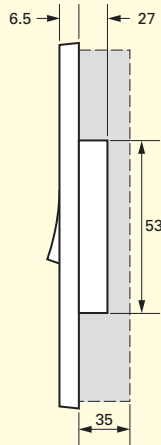
2 Gang Architrave



45A Cooker Control

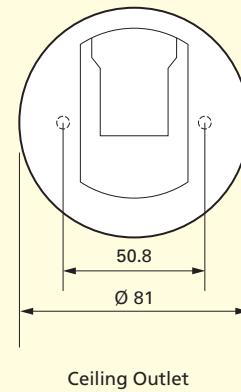
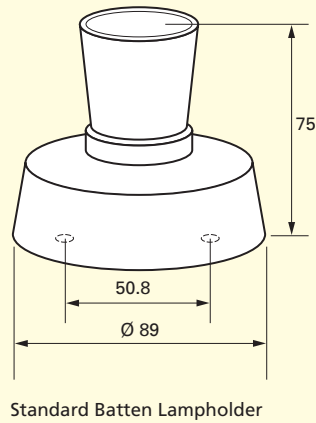
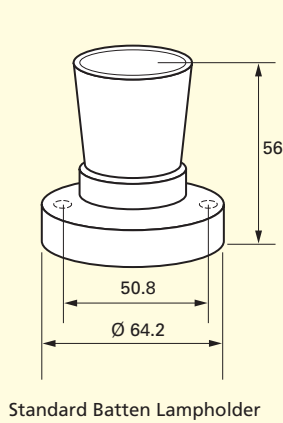
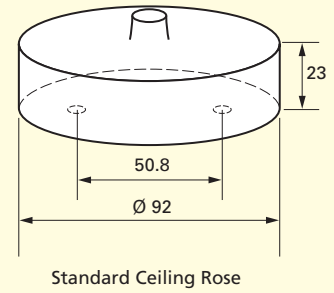
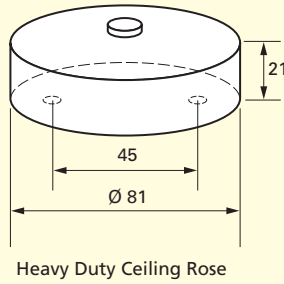
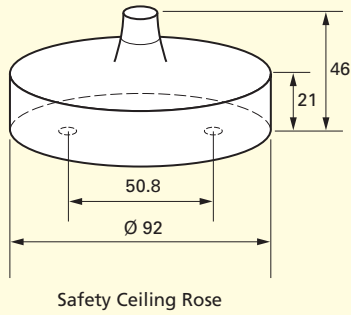
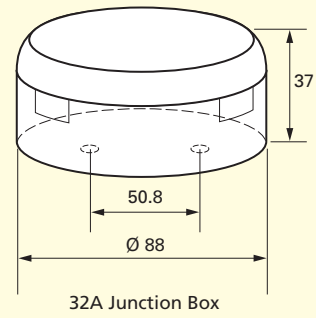
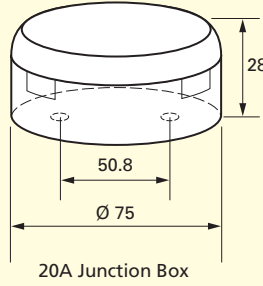
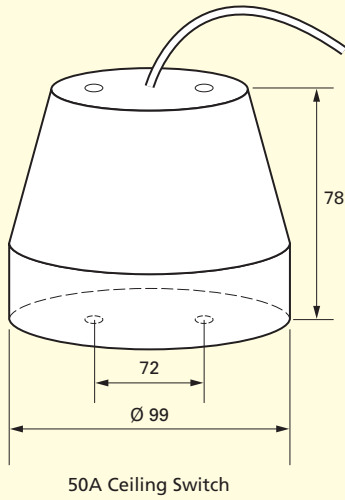
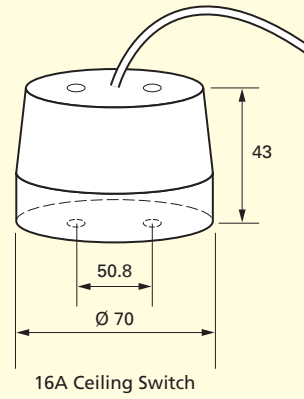
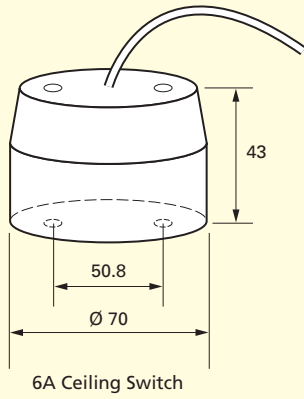


50A DP Cooker Control Unit



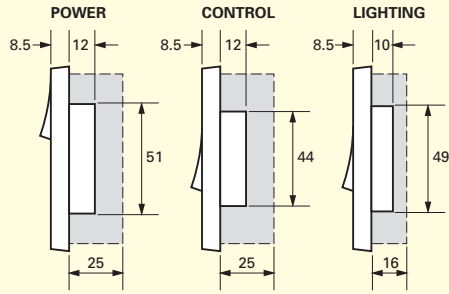
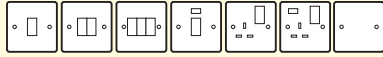
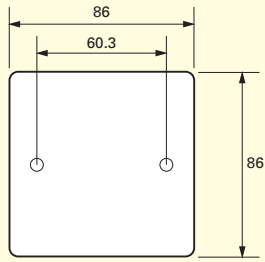
Light & Shaver Unit

CEILING MOUNT - DIMENSIONS CEILING MOUNTED

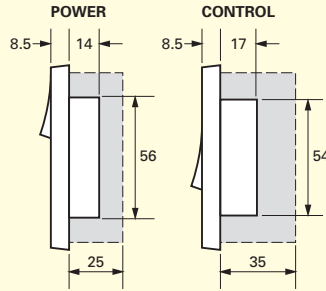
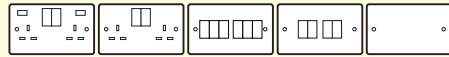
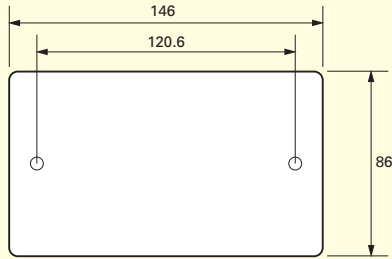


METAL PLATE - DIMENSIONS WALL MOUNTED

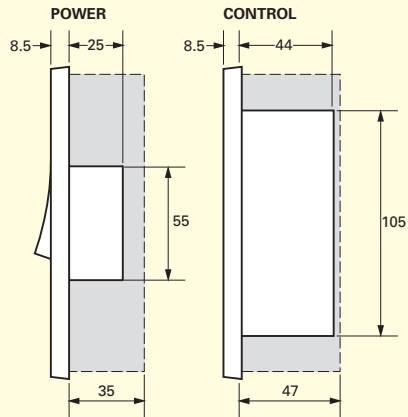
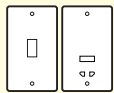
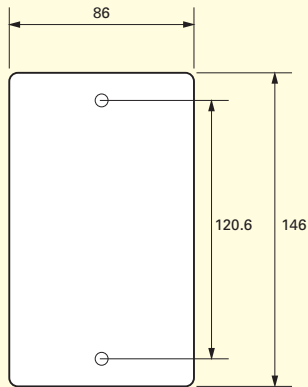
1 Gang Metal Plate



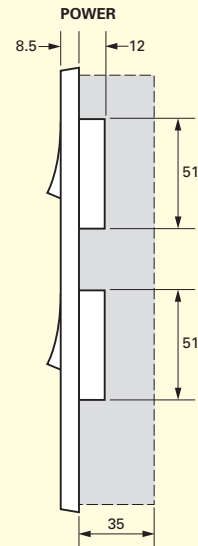
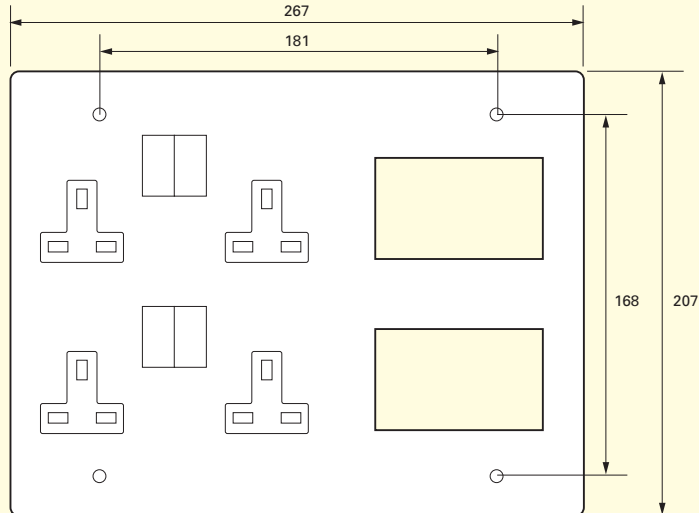
2 Gang Metal Plate



2 Gang Vertical Metal Plate

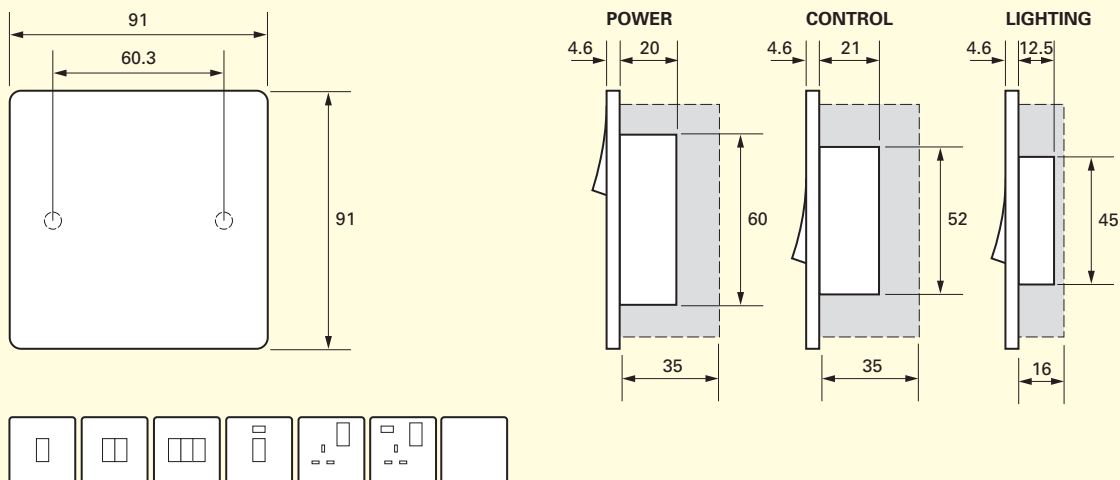


Multi Medial Metal Plate

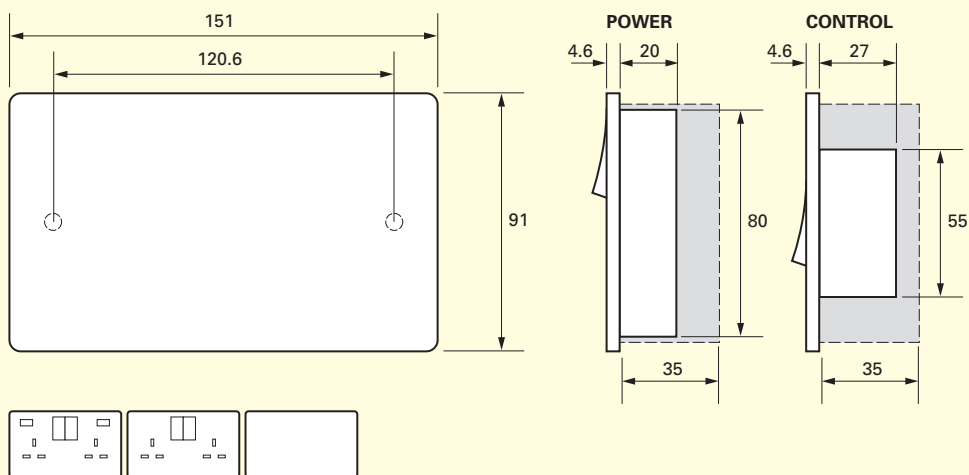


PLATINUM LOW PROFILE WHITE MOULDED - DIMENSIONS WALL MOUNTED

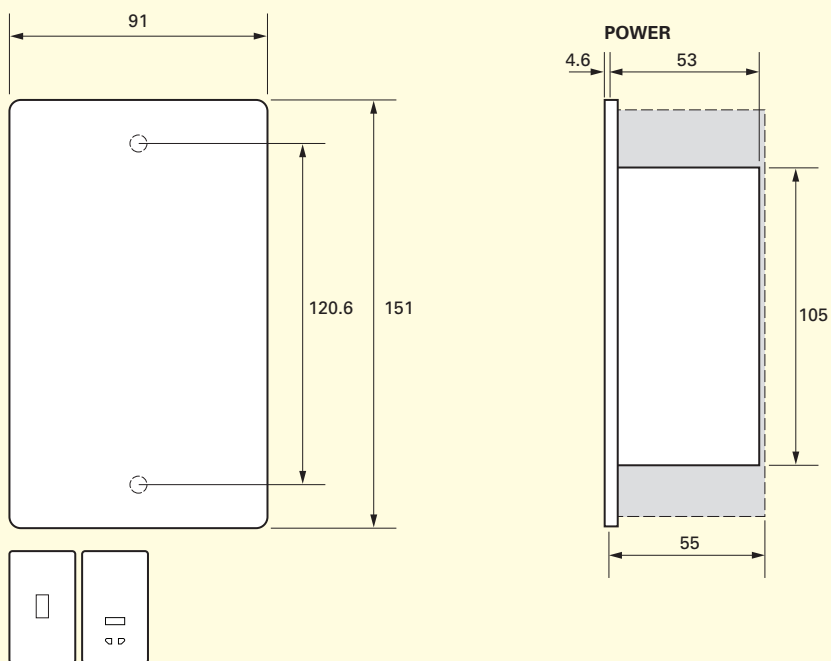
1 Gang Platinum Moulded



2 Gang Platinum Moulded

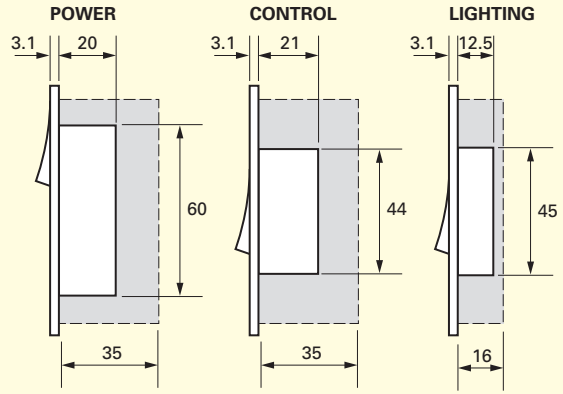
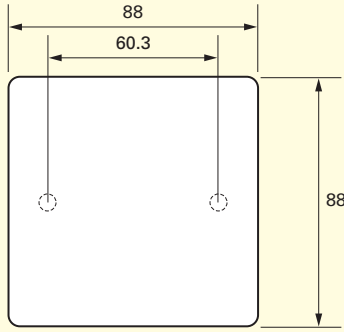


2 Gang Vertical Platinum Moulded

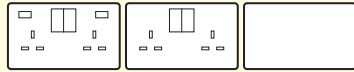
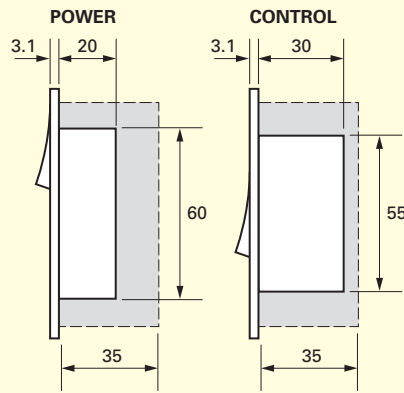
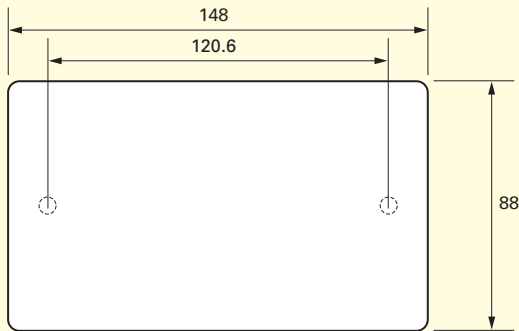


PLATINUM LOW PROFILE METAL PLATE - DIMENSIONS WALL MOUNTED

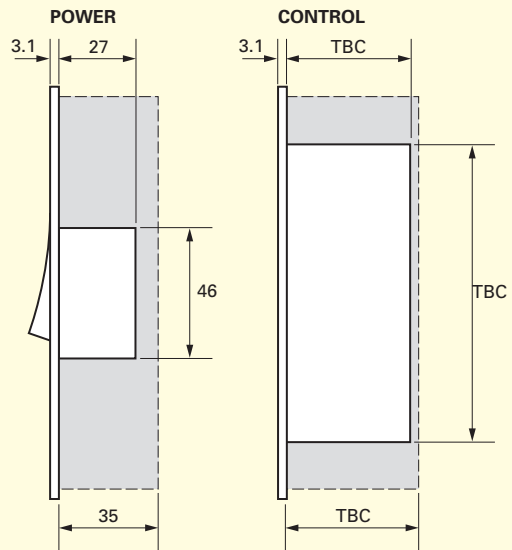
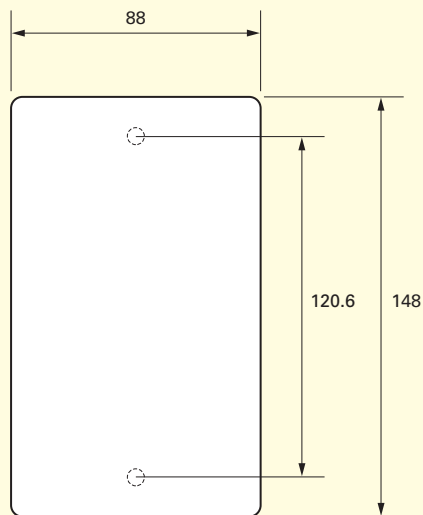
1 Gang Platinum Metal Plate



2 Gang Platinum Metal Plate

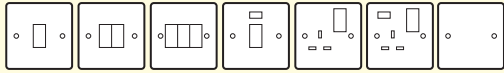
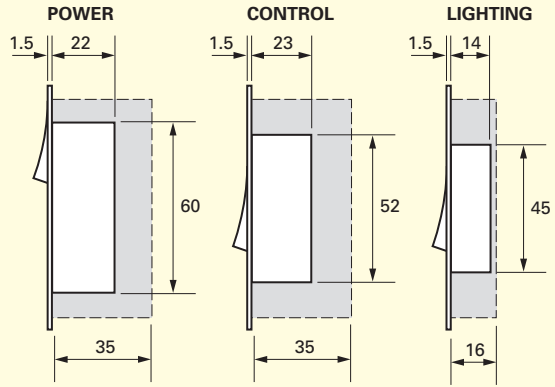
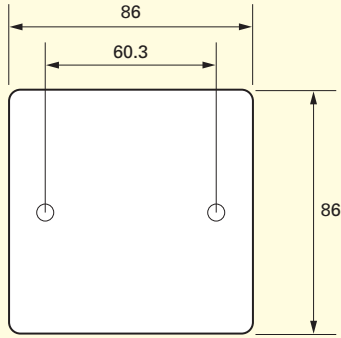


2 Gang Vertical Platinum Metal Plate

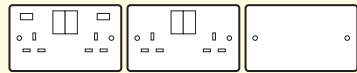
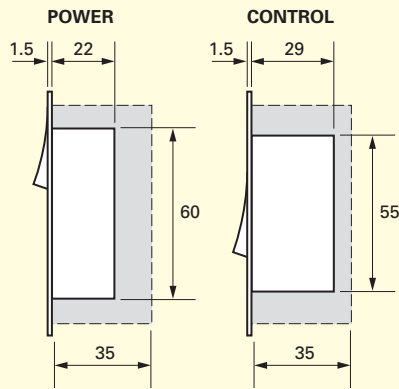
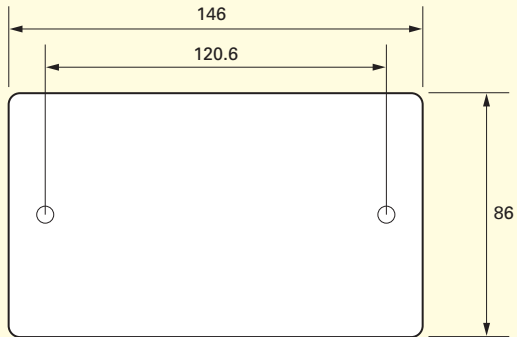


PLATINUM FLAT METAL PLATE - DIMENSIONS WALL MOUNTED

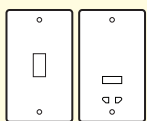
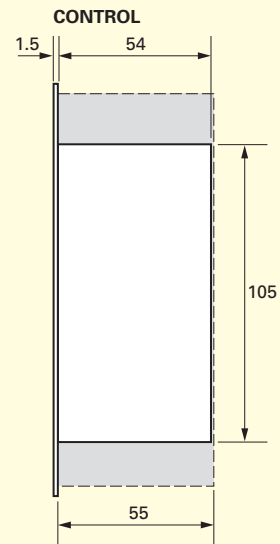
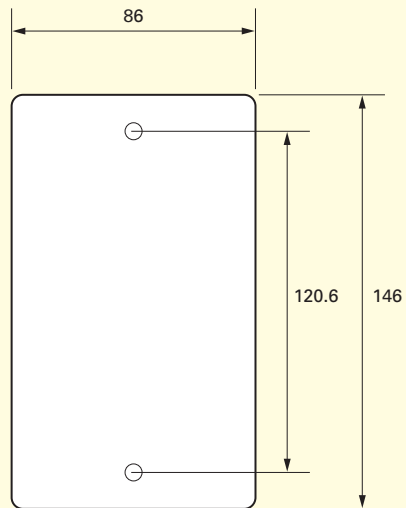
1 Gang Platinum Flat Metal Plate



2 Gang Platinum Flat Metal Plate

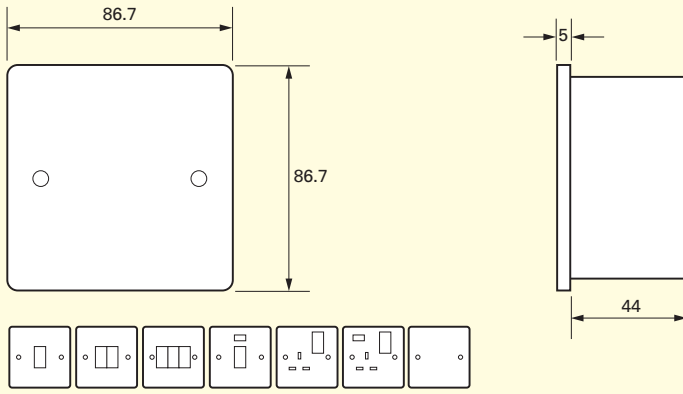


2 Gang Vertical Platinum Flat Metal Plate

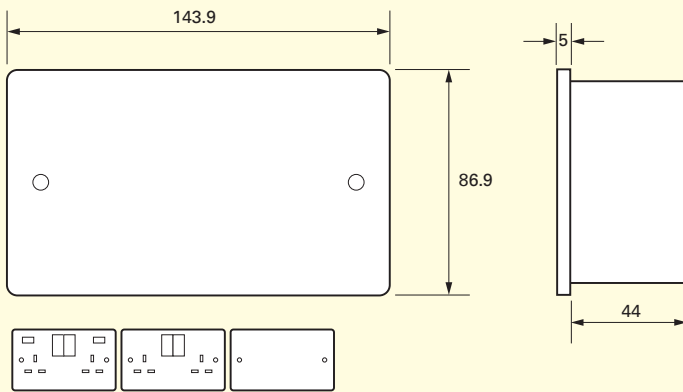


METALCLAD - DIMENSIONS WALL MOUNTED

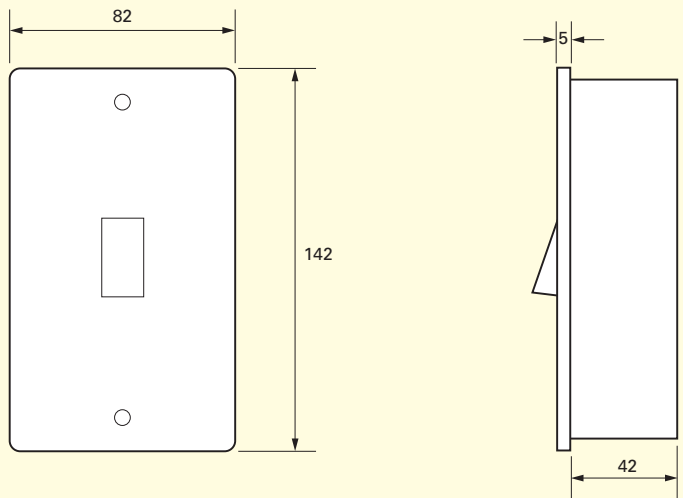
1 Gang Metalclad



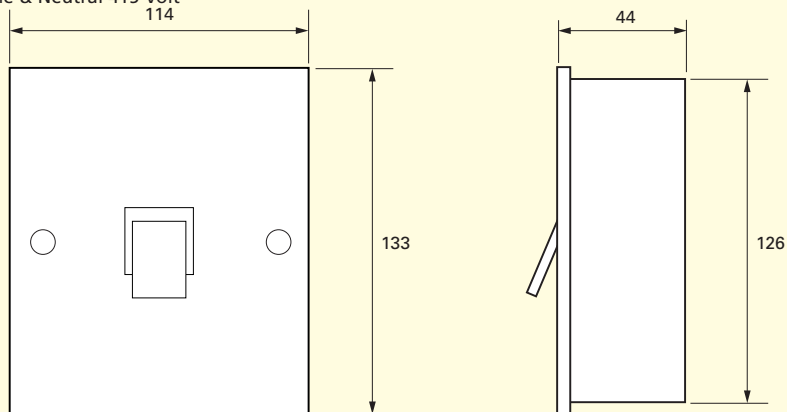
2 Gang Metalclad



2 Gang Vertical Metalclad

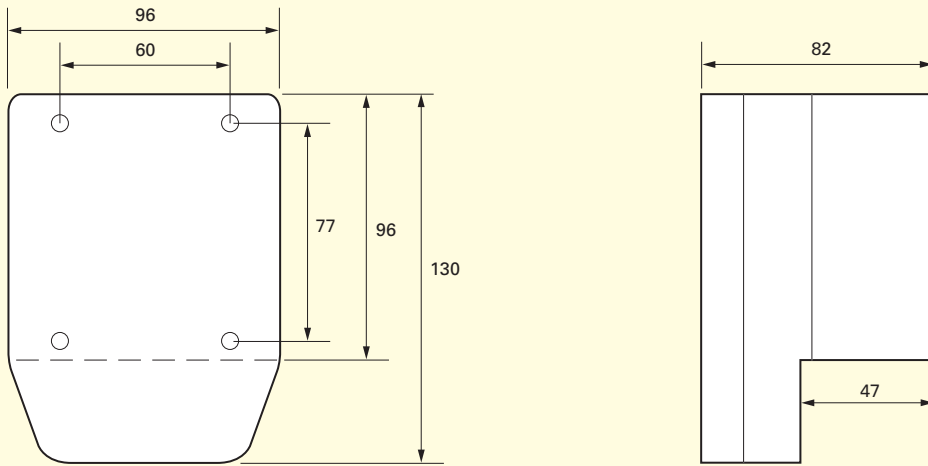


Triple Pole & Neutral 415 Volt
114

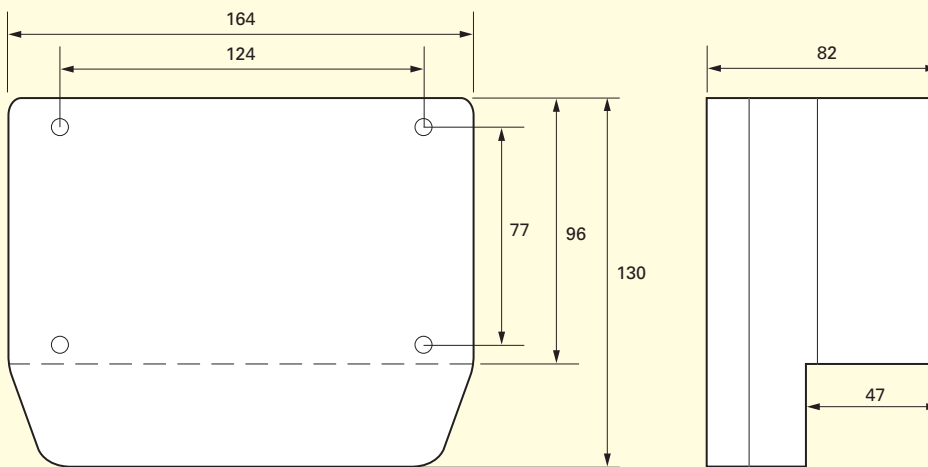


WEATHERSEAL - DIMENSIONS SURFACE MOUNTED

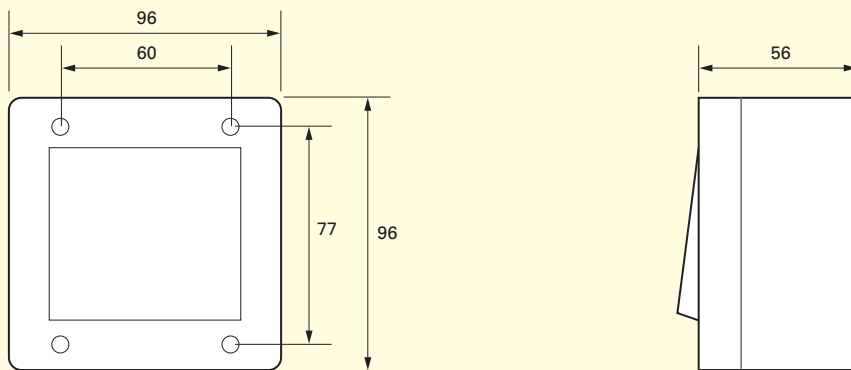
1 Gang Weatherseal



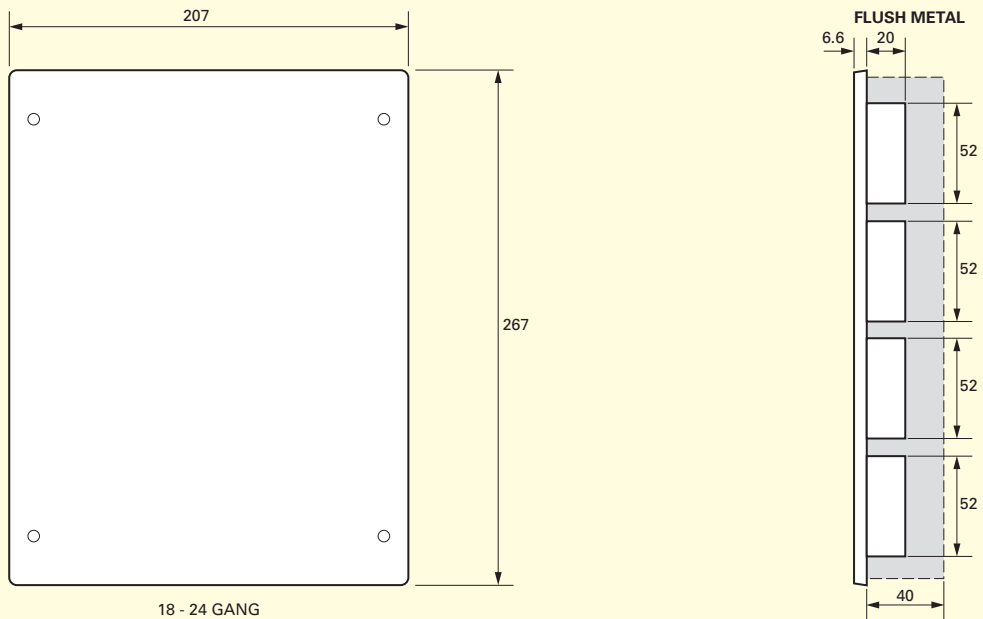
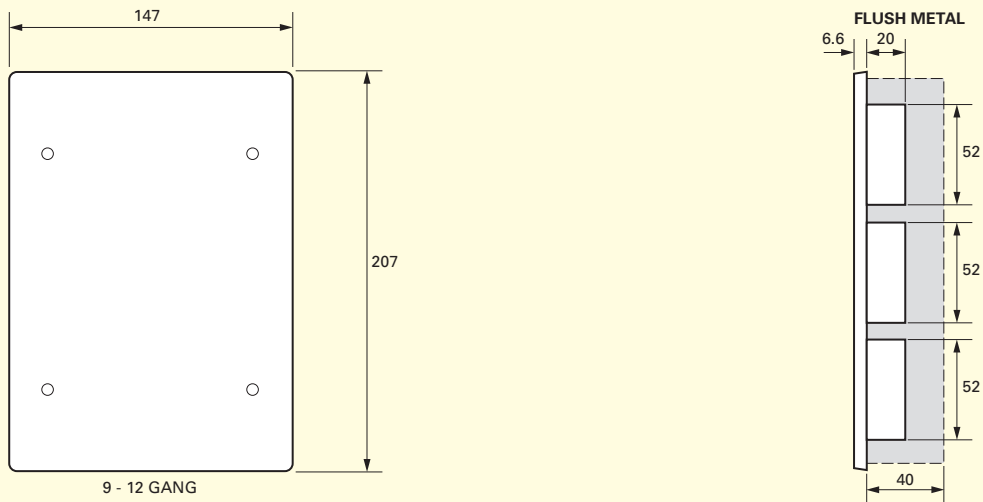
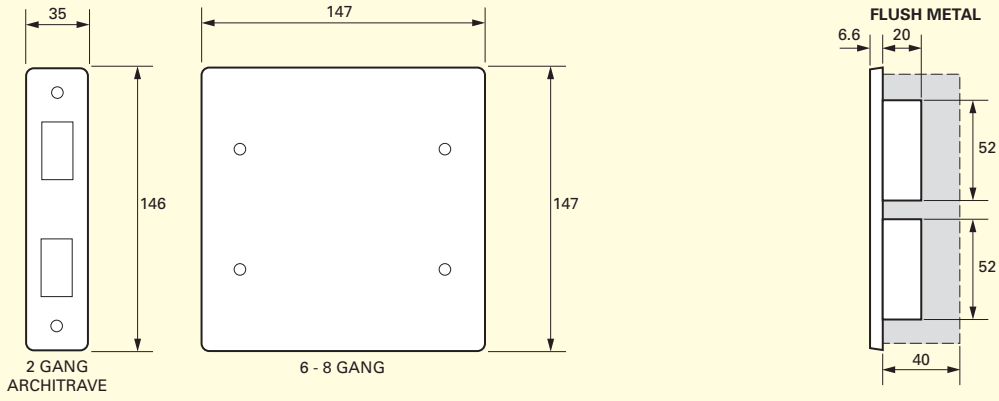
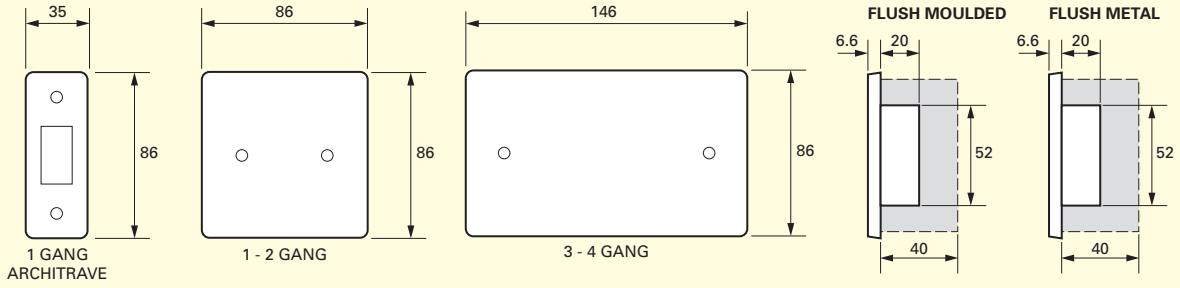
2 Gang Weatherseal



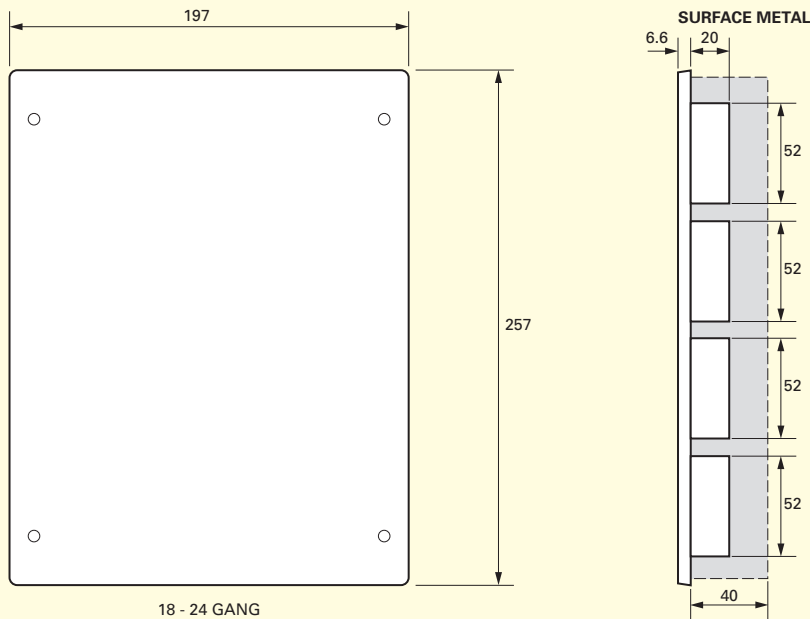
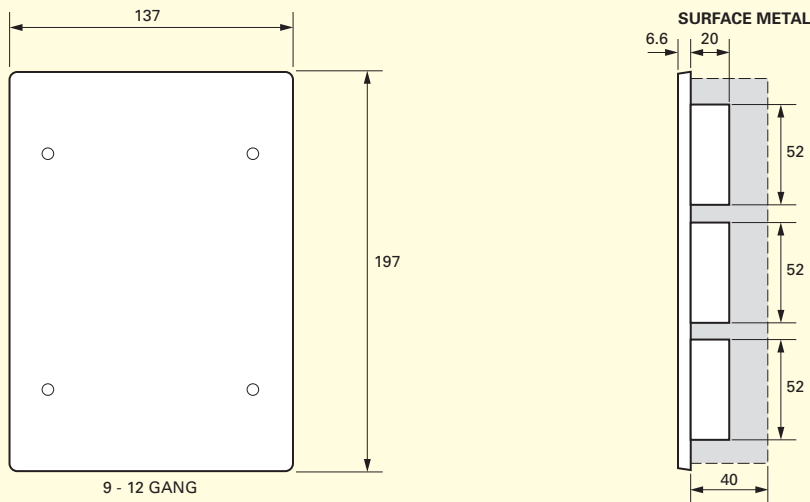
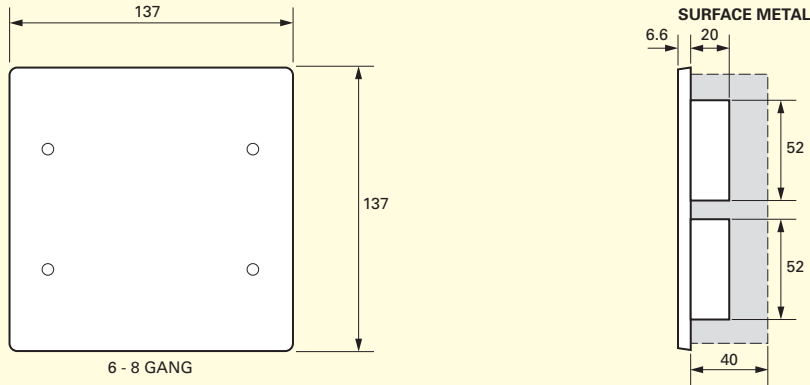
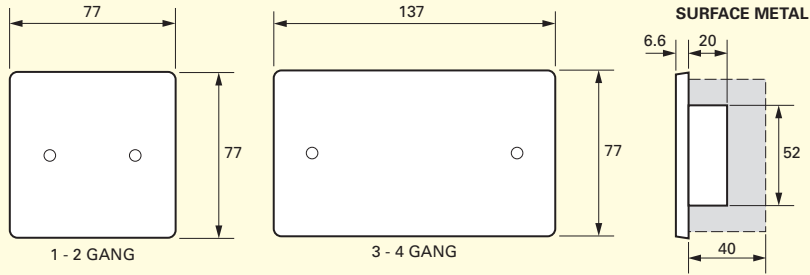
Switches Weatherseal



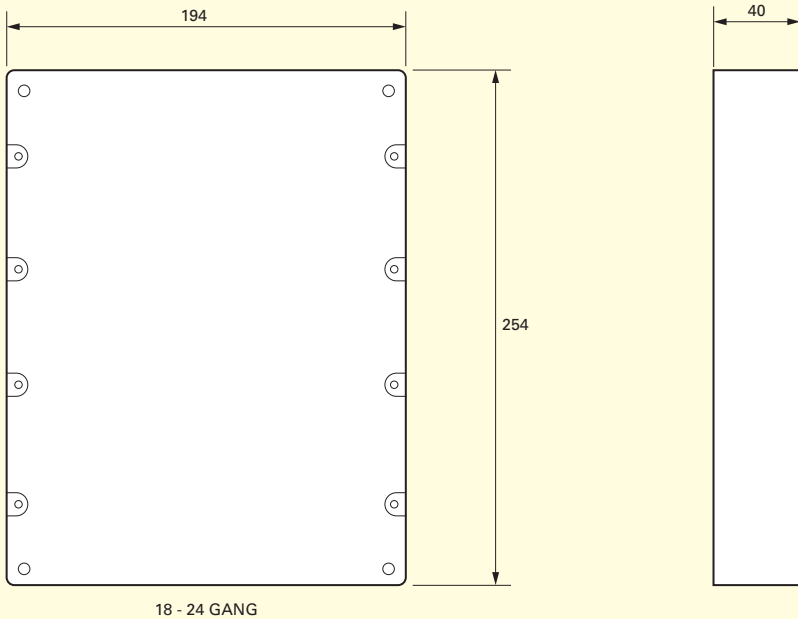
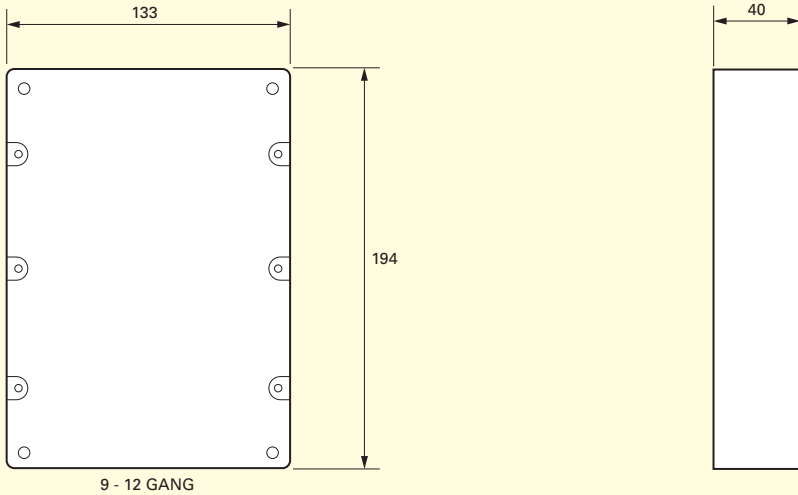
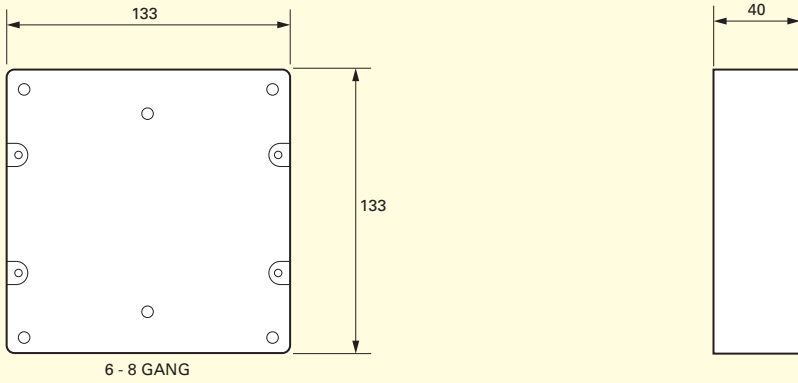
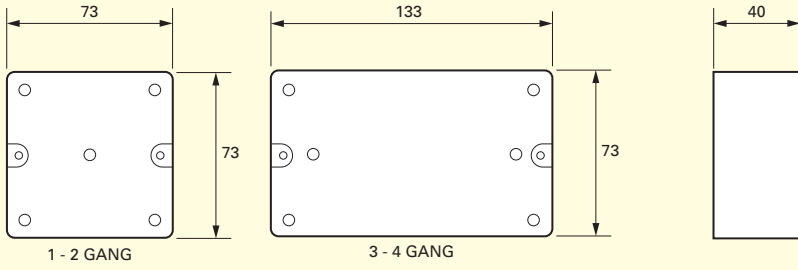
ROCKERGRID FLUSH MOUNT PLATES - DIMENSIONS



ROCKERGRID SURFACE MOUNT PLATES - DIMENSIONS

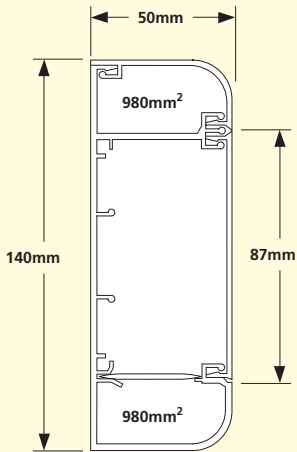


ROCKERGRID BACK BOXES - DIMENSIONS



COMPAK

DATA CABLE CAPACITY TABLE

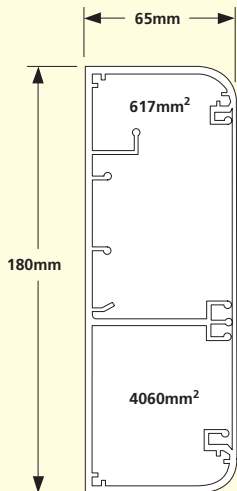


Full cable compartment CSA	Data				Power		
	Typical MULTI-CORE				Typical SINGLE-CORE (PVC insulated)		
	Wiring Regulations BS 7671 45% CSA (441mm²)			IT Cable installation BSEN 50174-1/BS6701	Wiring Regulations BS 7671 45% CSA (441mm²)		
	Cable diameter (mm)	Conductor CSA (mm²)	No. cables	No. cables	Conductor CSA (mm²)	Cable Factor	No. cables
980mm²	5	19.6	22	14	1.5	8.6	50
	5.5	23.8	18	13	2.5	12.6	35
	6	28.3	15	12	4	16.6	26
	6.5	33.2	13	11	6	21.2	20
	7	38.5	11	10			

Product range	Nominal size	Width (mm)	Height (mm)	Cross sectional area (mm²)	Usable (45%) cross sectional area (mm²)	Fixings/M
COMPAK data	140/50	139	50			4
Top				980	441	
Bottom				980	441	

MAXPAK

DATA CABLE CAPACITY TABLE



Maximum recommended cable capacity				
Data			Power	
Cable diameter (mm)	On straight runs	Around fittings	Conductor CSA (mm²)	No. Cables
5.0	79	35	1.5	28
6.0	55	31	2.5	22
7.0	40	26	4.0	14
8.0	31	22	-	-

Product range	Nominal size	Width (mm)	Height (mm)	Cross sectional area (mm²)	Usable (45%) cross sectional area (mm²)	Fixings/M
MAXPAK data	180/65	180	65			4
Top				617	278	
Bottom				4060	1827	

DATA CABLE DIAMETER AND BEND RADIUS

OUTSIDE DIAMETER

Cable Manufacturer	Maximum Outside Diameter (mm)		
	CAT 5e	CAT 6	CAT 6A
EXCEL	5.2	6.2	9.2
SYSTEMAX	5.1	5.9	7.3
BRAND-REX	5.0	6.5	7.9
ADC-KRONE	5.0	5.5	7.6
CONNECTIX	5.0	6.4	8.0
NEXANS	4.9	6.3	7.0
PANDUIT	4.7	5.7	7.7
MOLEX	5.2	6.5	7.0
BELDEN	5.0	5.3	7.5
SIEMON	5.5	6.3	7.0

Average Diameter	5.1	6.1	7.6
Average CSA. mm²	20.1	28.8	45.6

MINIMUM BEND RADIUS

Cable Manufacturer	Minimum Bend Radius (mm)		
	CAT 5e	CAT 6	CAT 6A
EXCEL	21	25	40
SYSTEMAX	20	24	29
BRAND-REX	20	26	32
ADC-KRONE	20	22	31
CONNECTIX	20	26	32
NEXANS	20	25	28
PANDUIT	19	23	31
MOLEX	21	26	28
BELDEN	20	21	30
SIEMON	22	25	42

Average MBR. mm	20	24	32
-----------------	----	----	----

electrium



ELECTRIUM SALES LIMITED A SIEMENS COMPANY
Commercial Centre, Lakeside Plaza, Walkmill Lane, Bridgtown, Cannock WS11 0XE.
eMail: info@electrium.co.uk Web: www.electrium.co.uk

UK SALES

Telephone: 01543 455010 Facsimile: 01543 455011 eMail: crabtree.sales@electrium.co.uk

TECHNICAL

Telephone: 01543 438310 Facsimile: 01543 438311 eMail: crabtree.technical@electrium.co.uk

EXPORT SALES

Telephone: +44 1543 455049 Facsimile: +44 1543 455048 eMail: export@electrium.co.uk

DUBAI OFFICE

Telephone: +971 4 3660684 Facsimile: +971 4 3660676 eMail: export@electrium.co.uk

Although every effort has been made to ensure accuracy in the compilation of the technical detail within this publication, specifications and performance data are constantly changing. Latest details can be obtained from Crabtree.

Publication No. A2232 4/15
Printed in England.