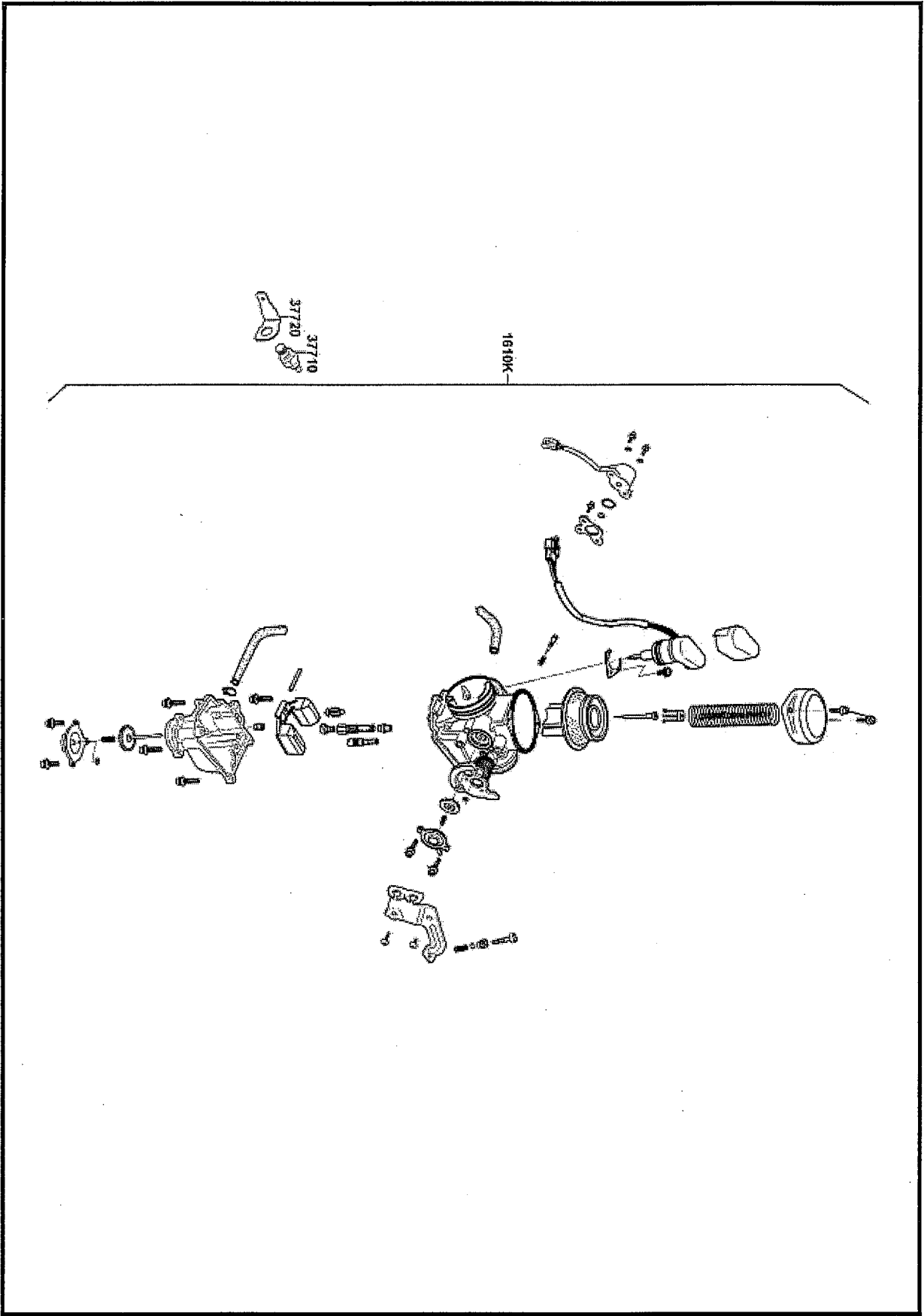


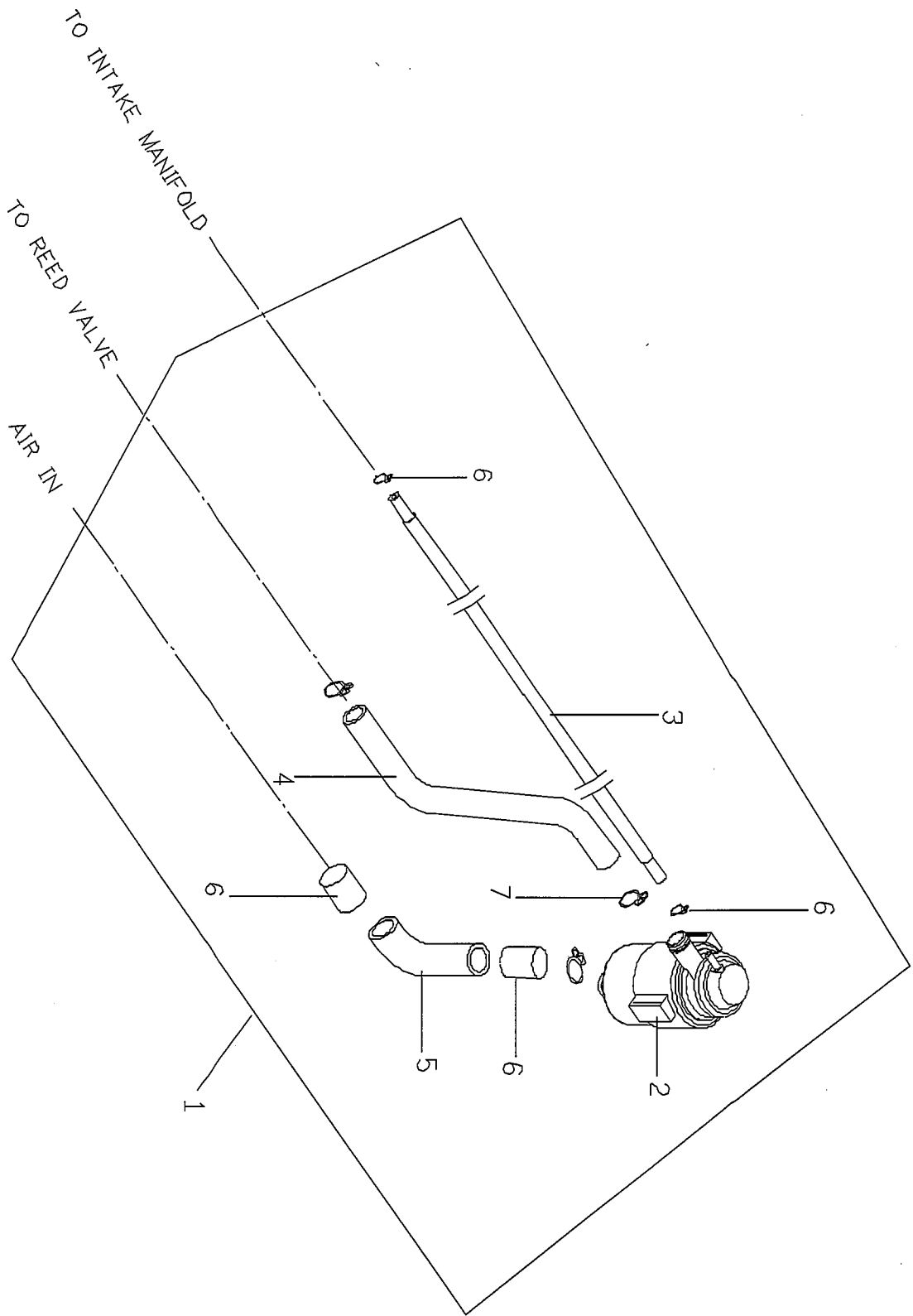
E 8

Carburetor

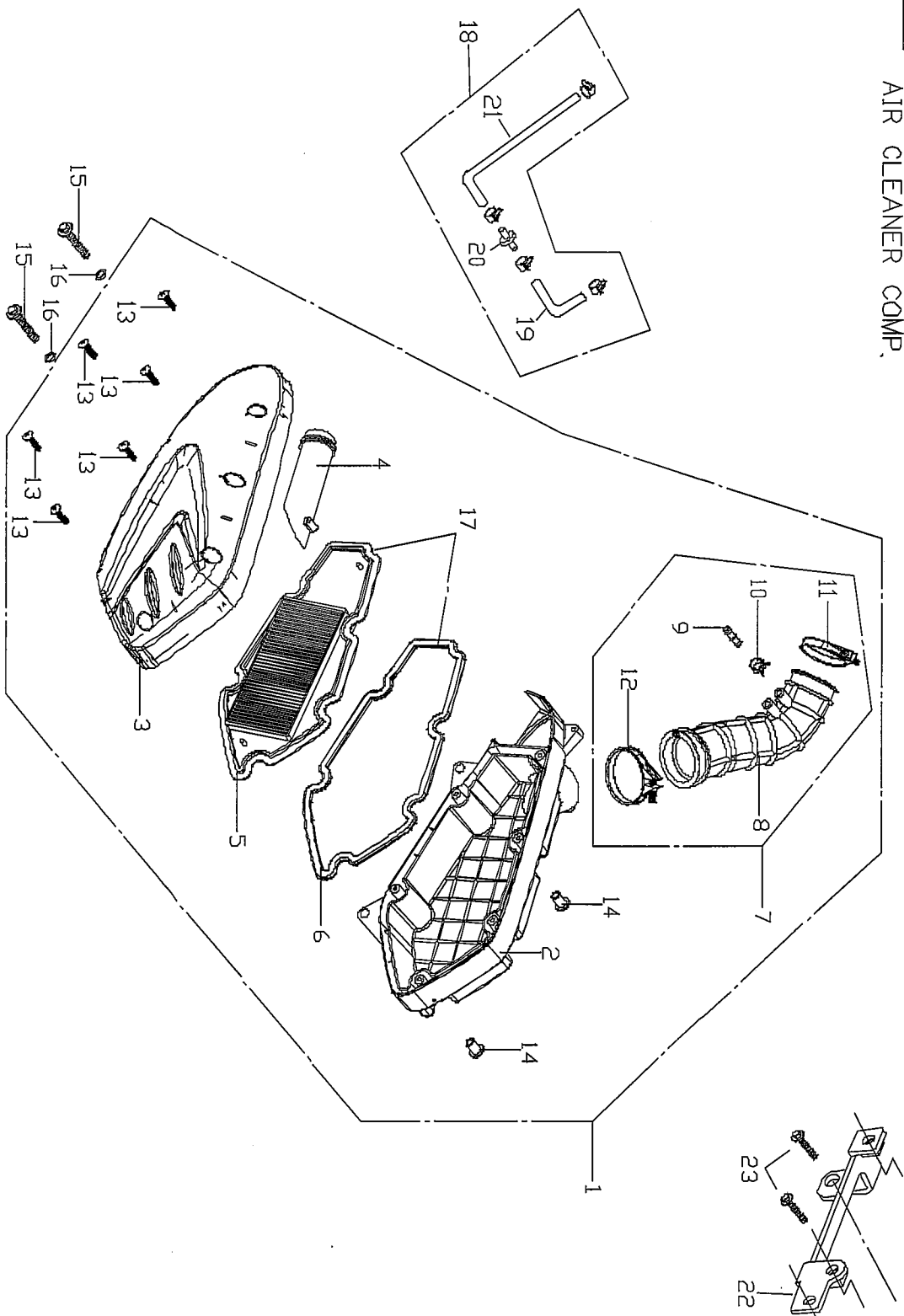
PGO-250 ENGINE



E9. 空氣導入控制閥
AIAC

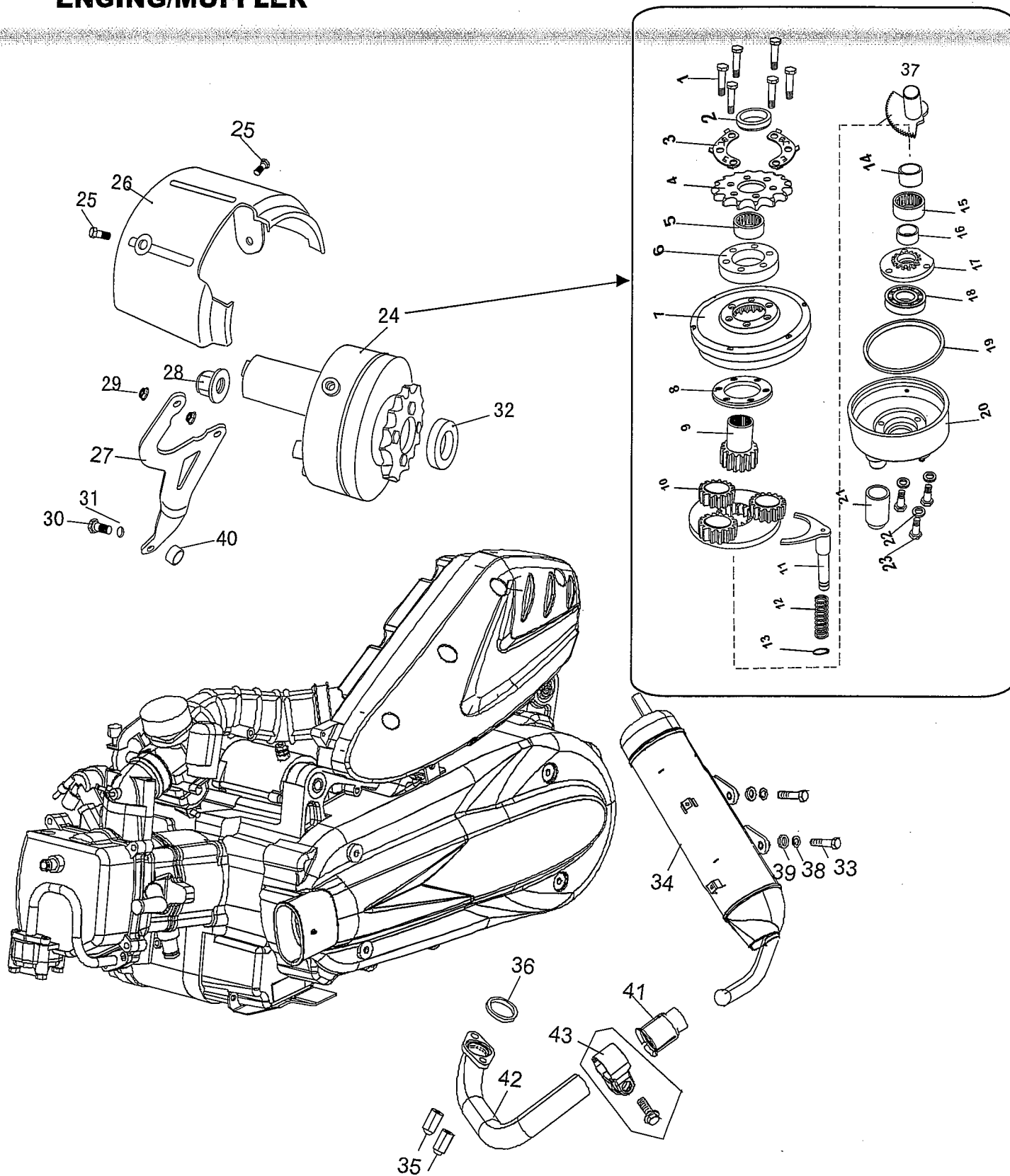


E10. 空氣濾清器組合
AIR CLEANER COMP.

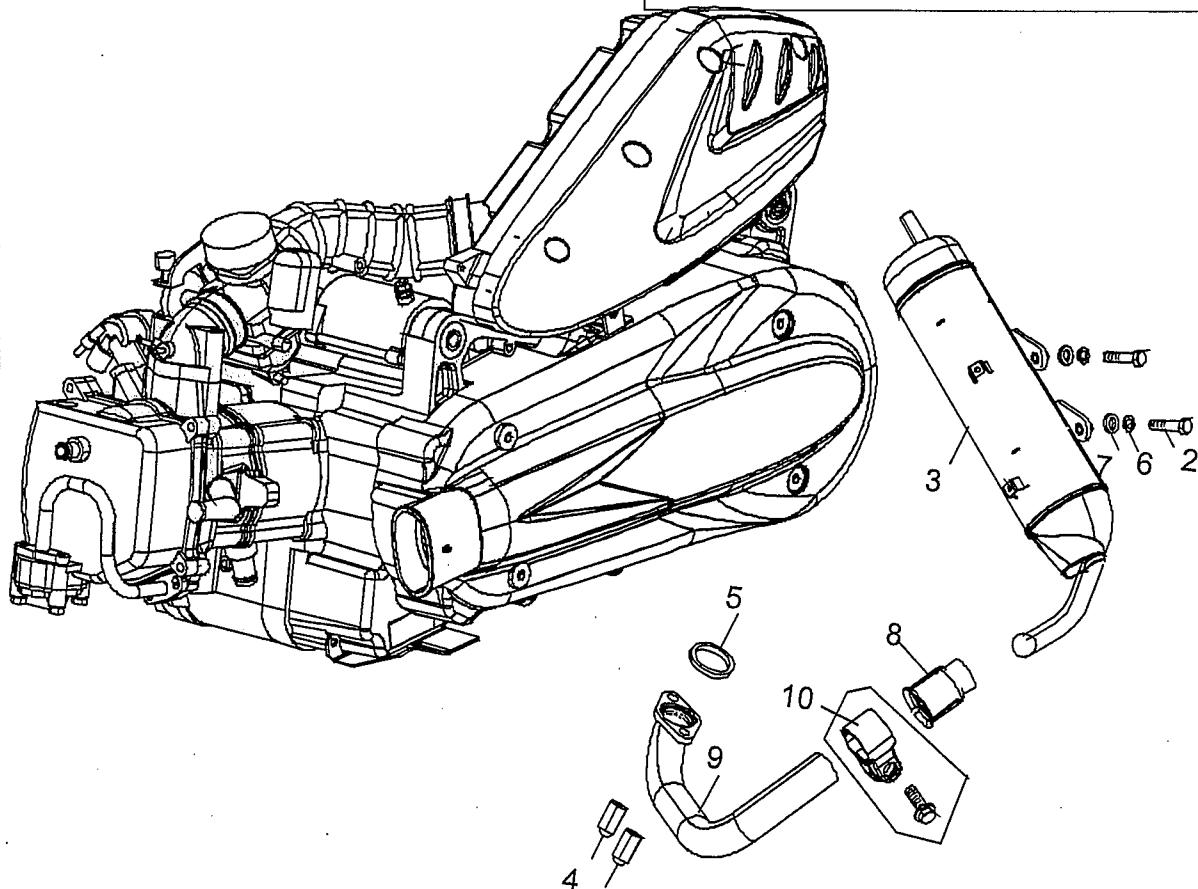
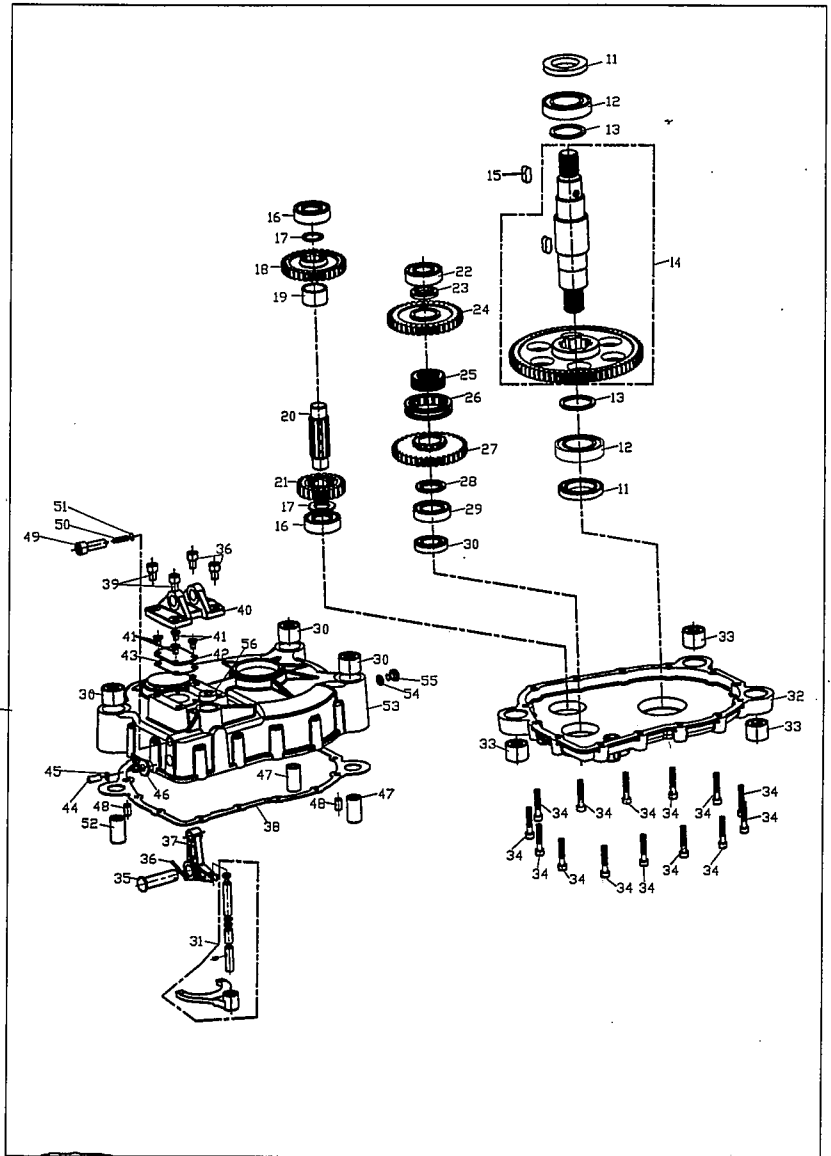
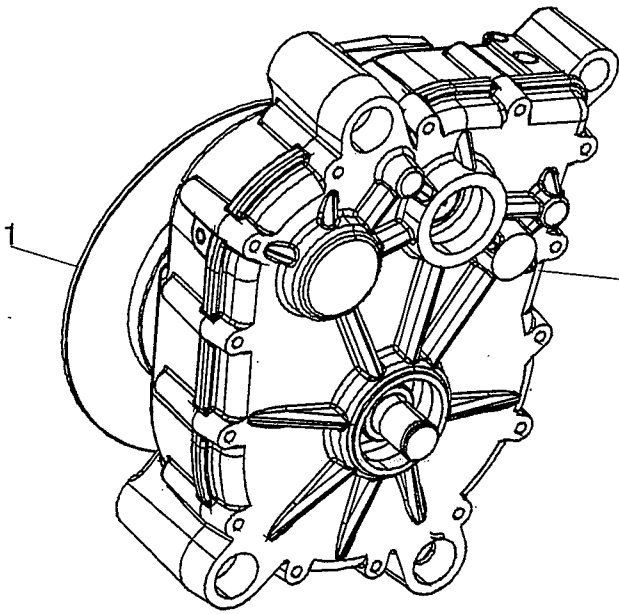


F1-1.BR250-SINGLE

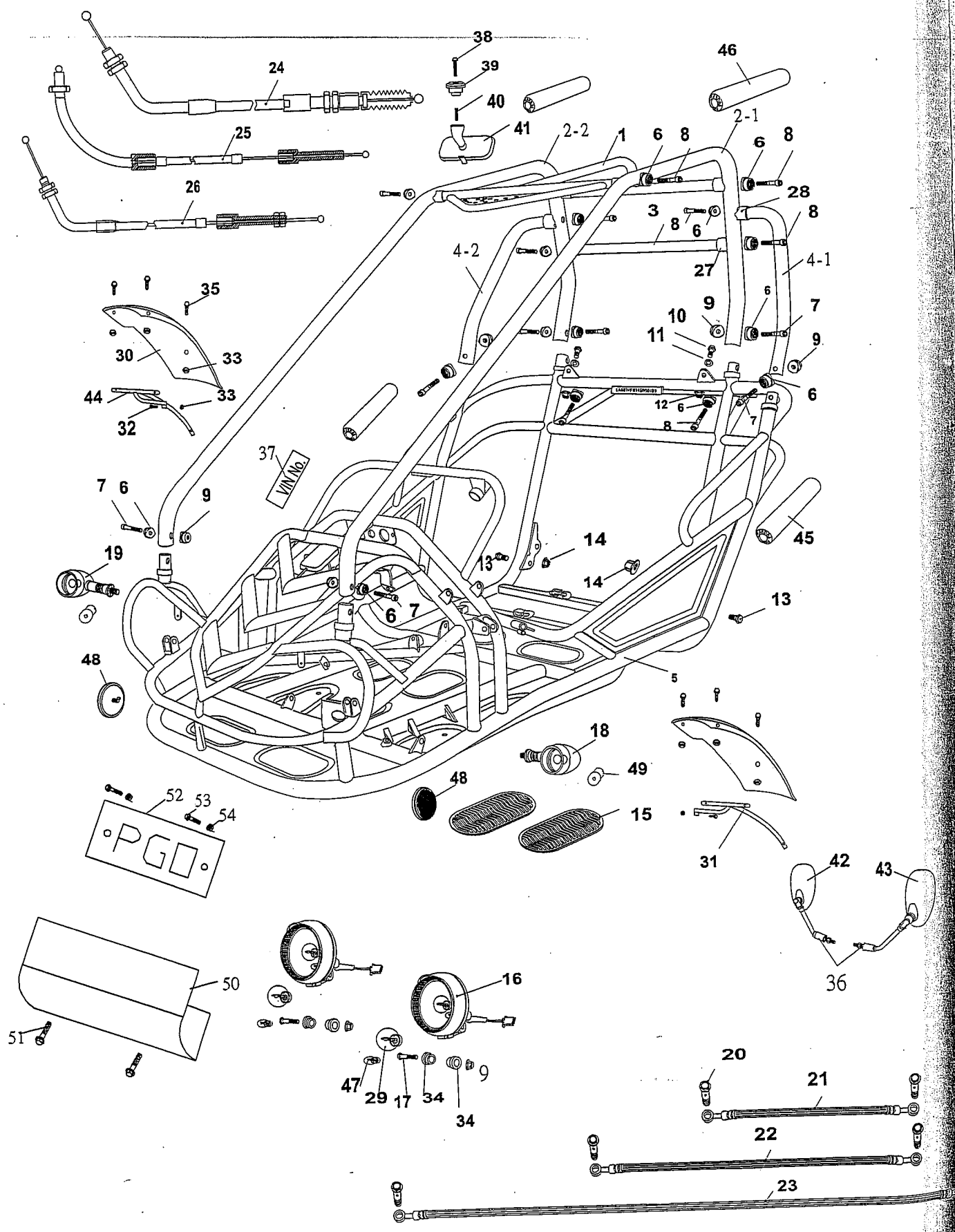
ENGINE/MUFFLER



F1-2.BR250-DUAL ENGINE/MUFFLER

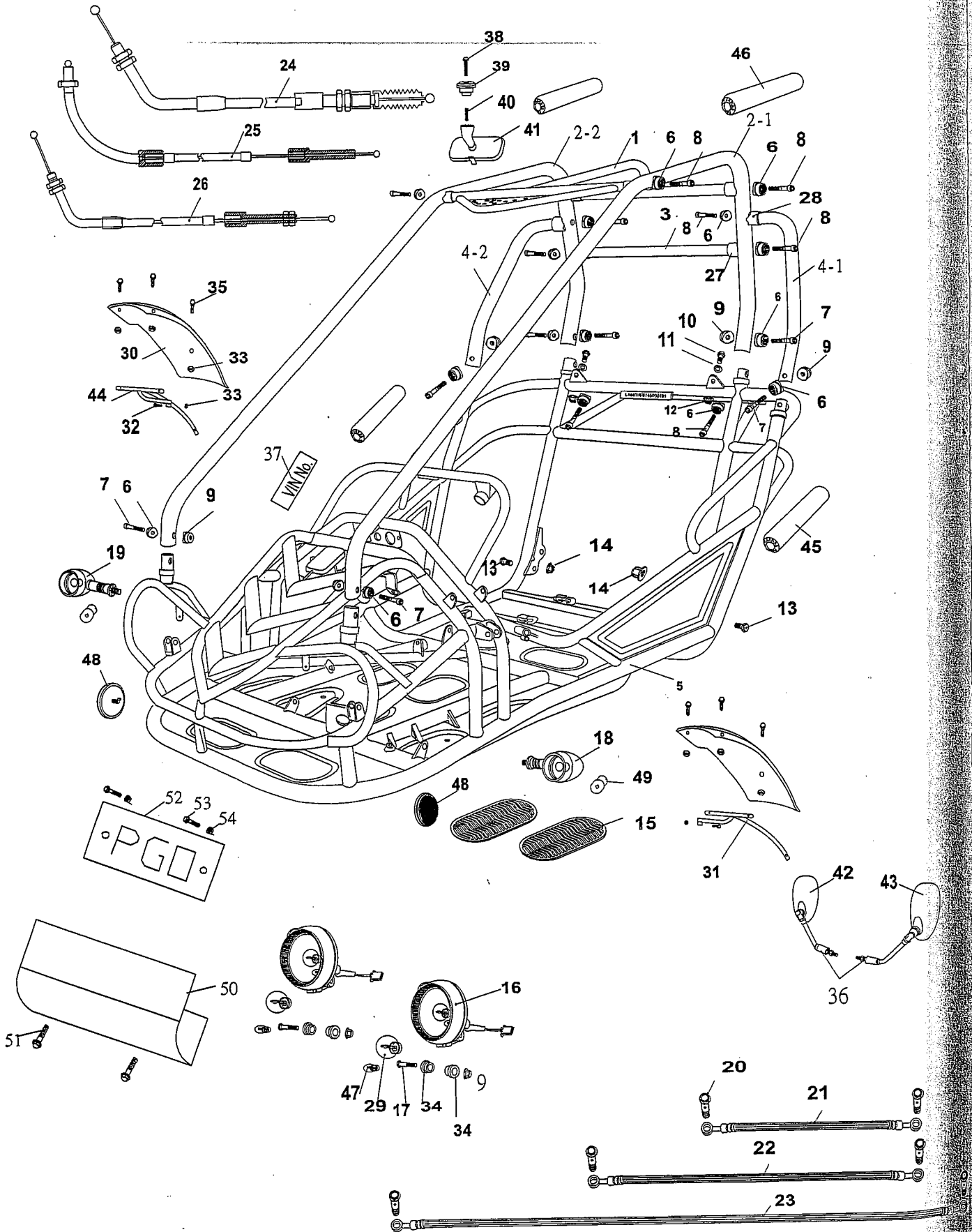


F2-1 (BR250-SINGLE) FRAME GROUP

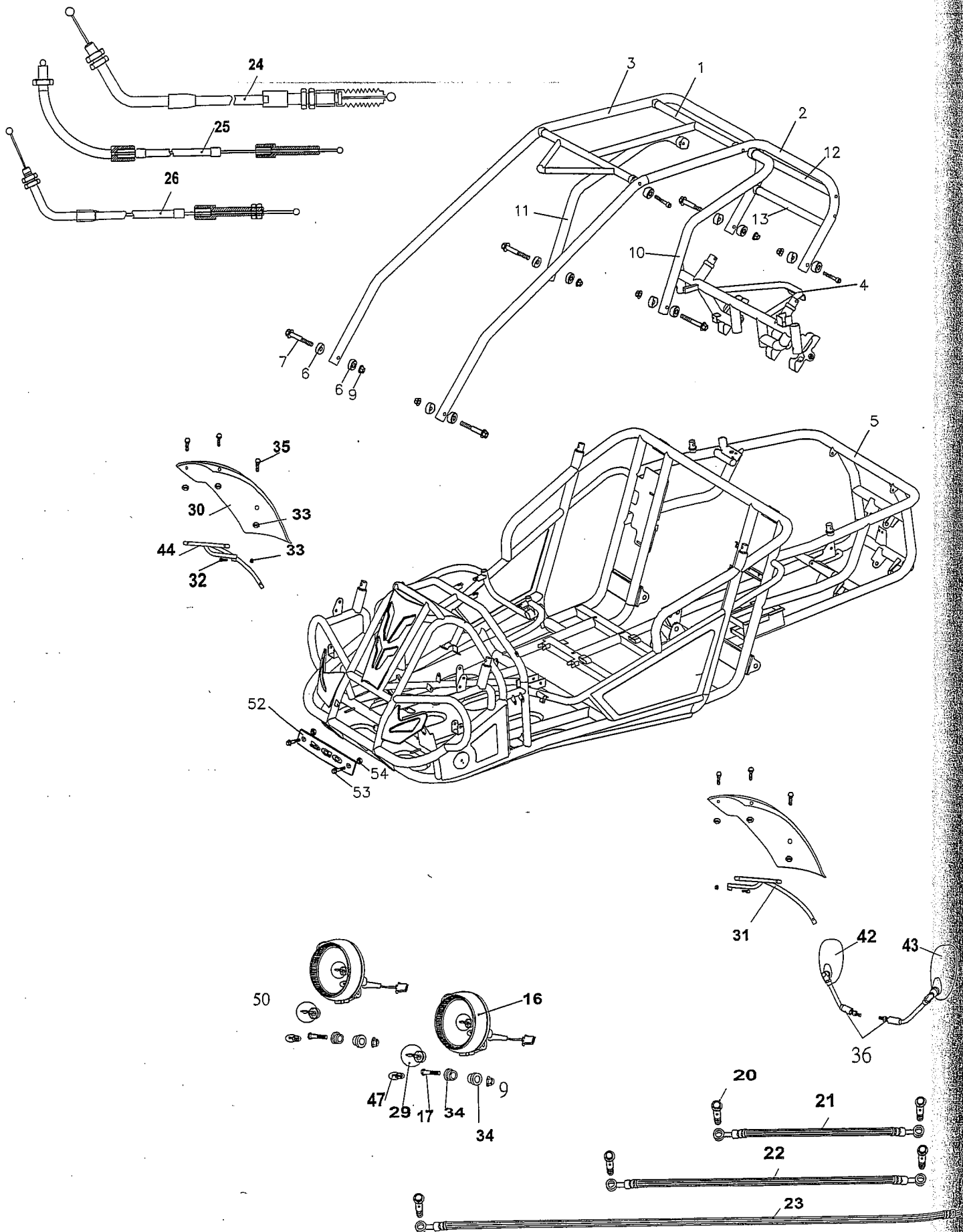


F2-1 (BR250-SINGLE)

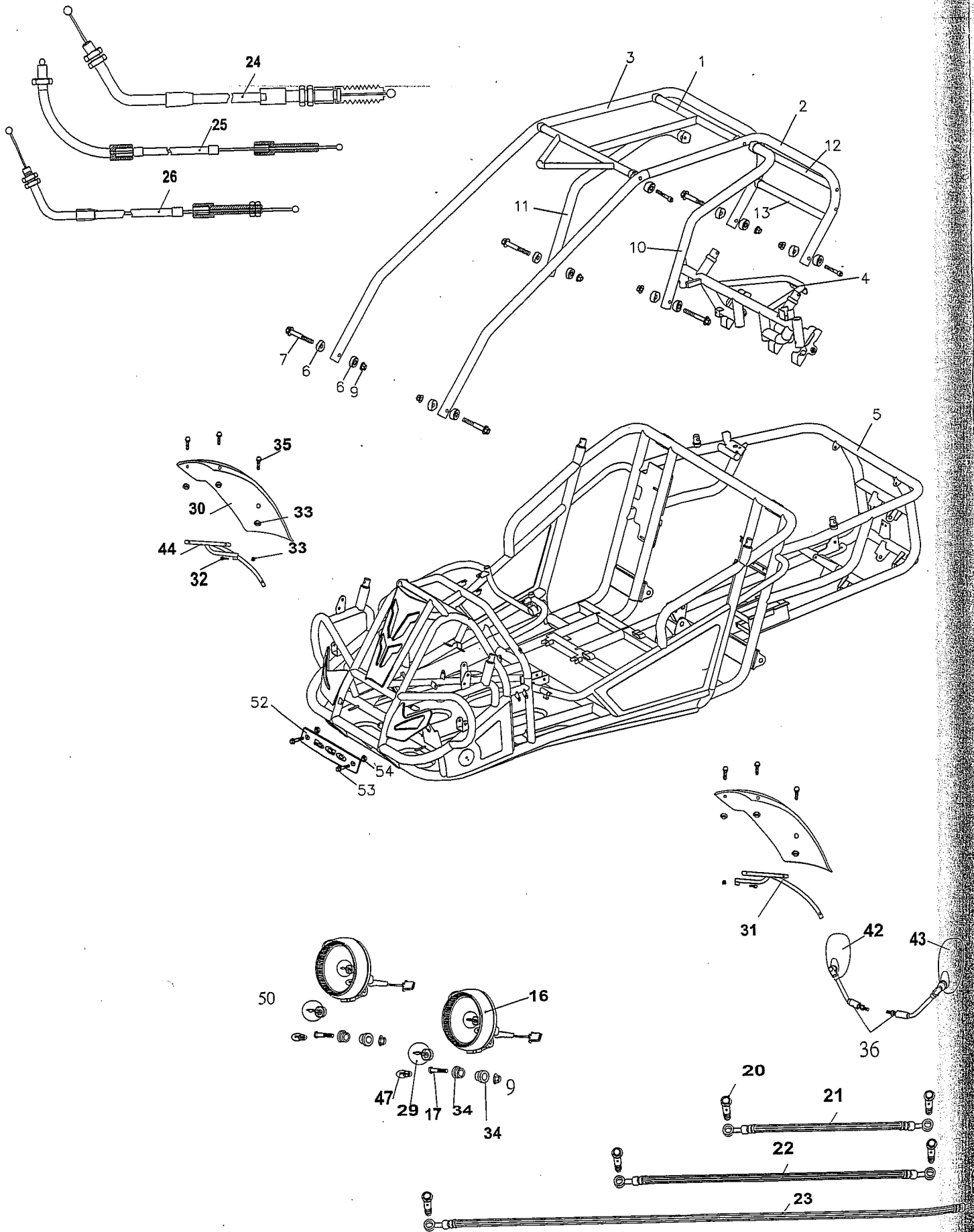
FRAME GROUP



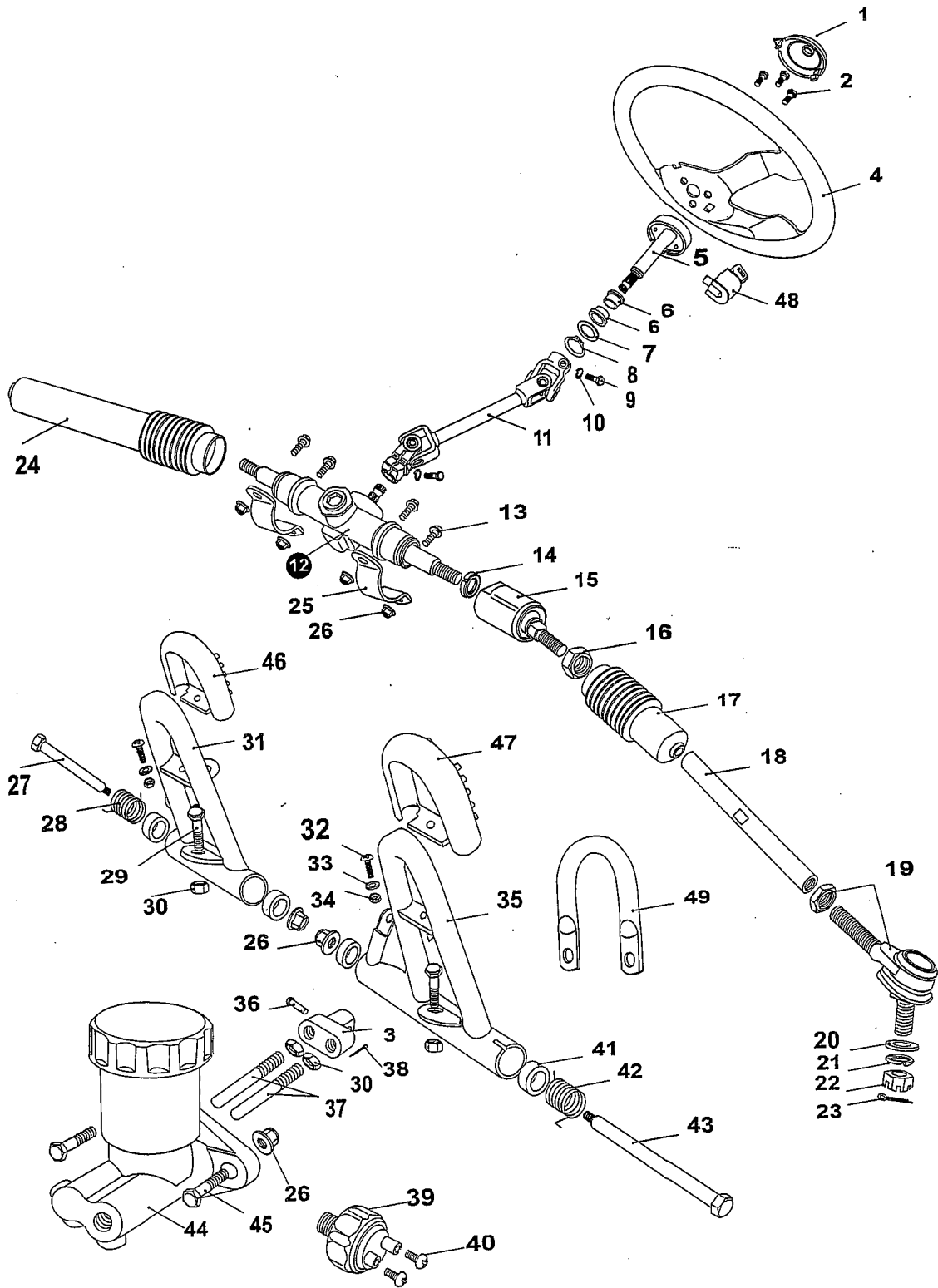
F2-2 (BR250-DUAL) FRAME GROUP



F2-2 (BR250-DUAL) FRAME GROUP

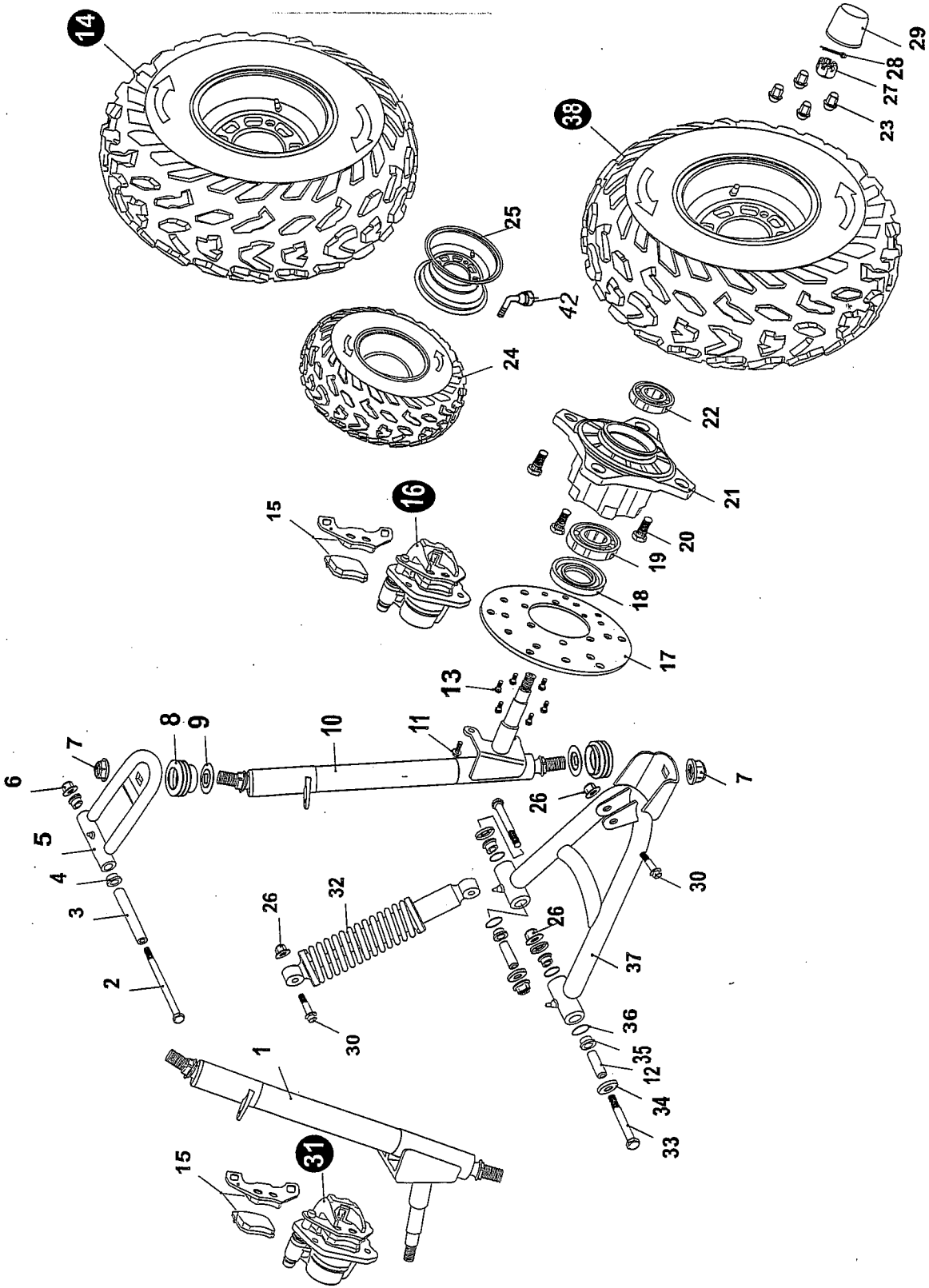


F3. STEERING SHAFT ASSY.



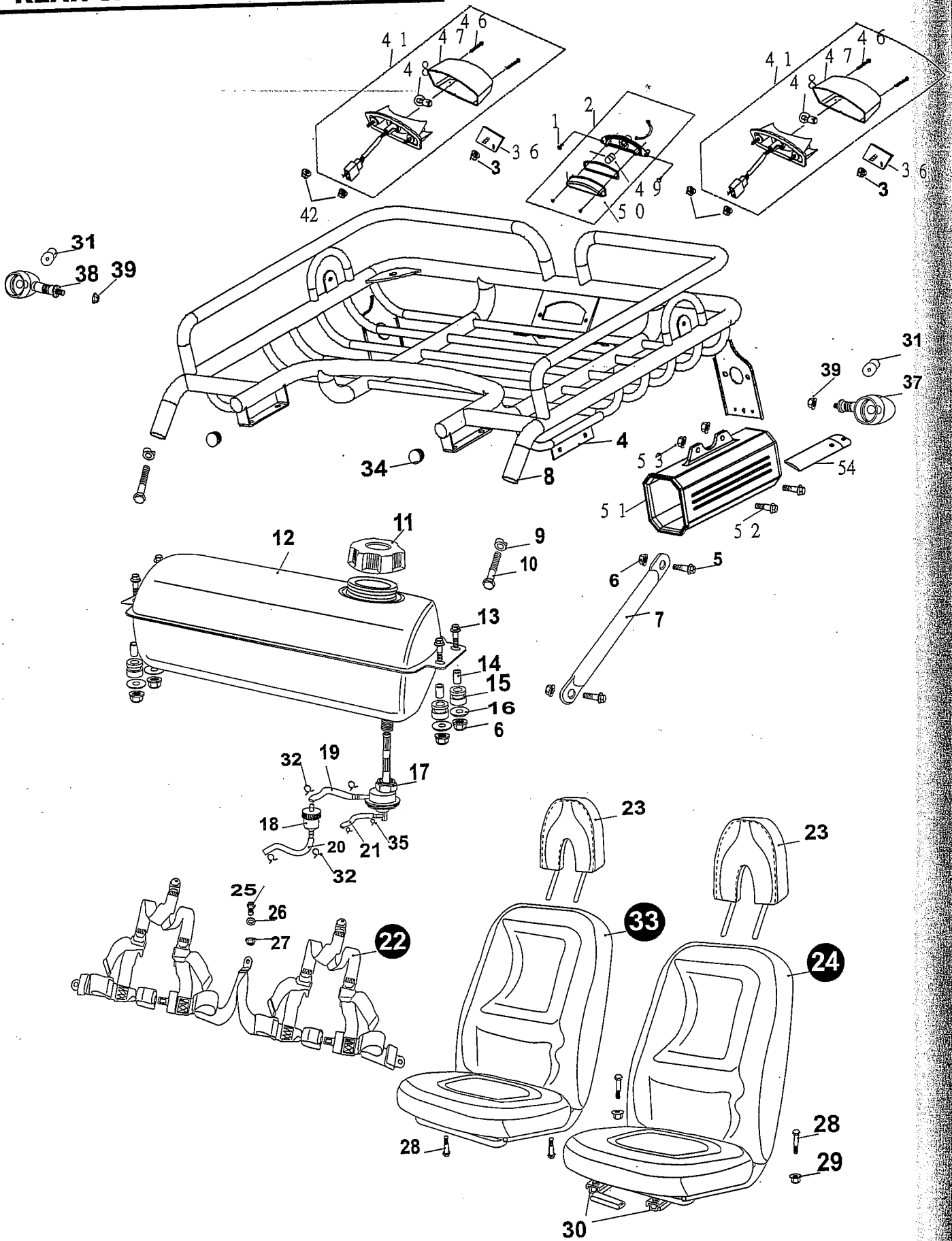
F4.

SUSPENSION ARM ASSY.



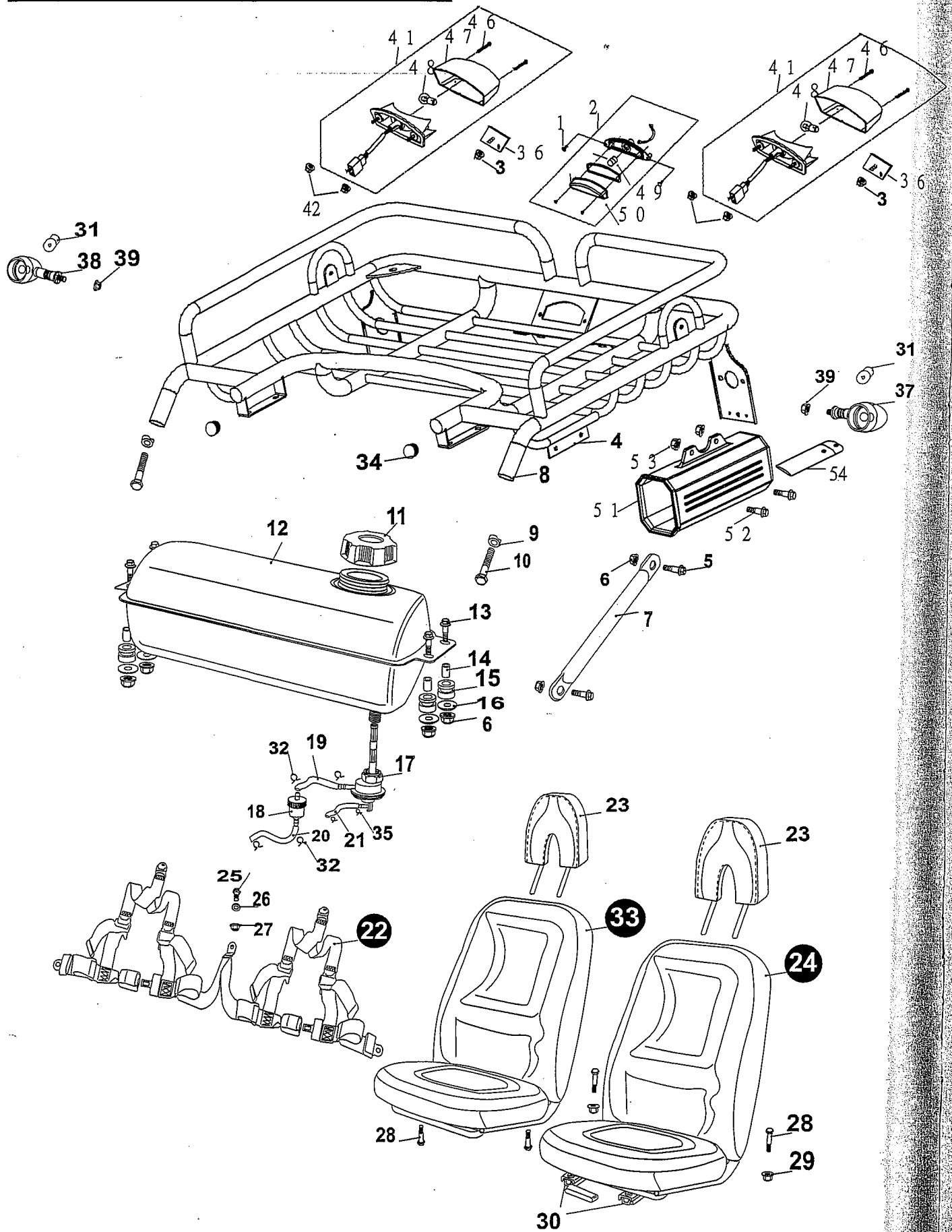
F 5 .

REAR CARGO RACK/SEAT/BELT



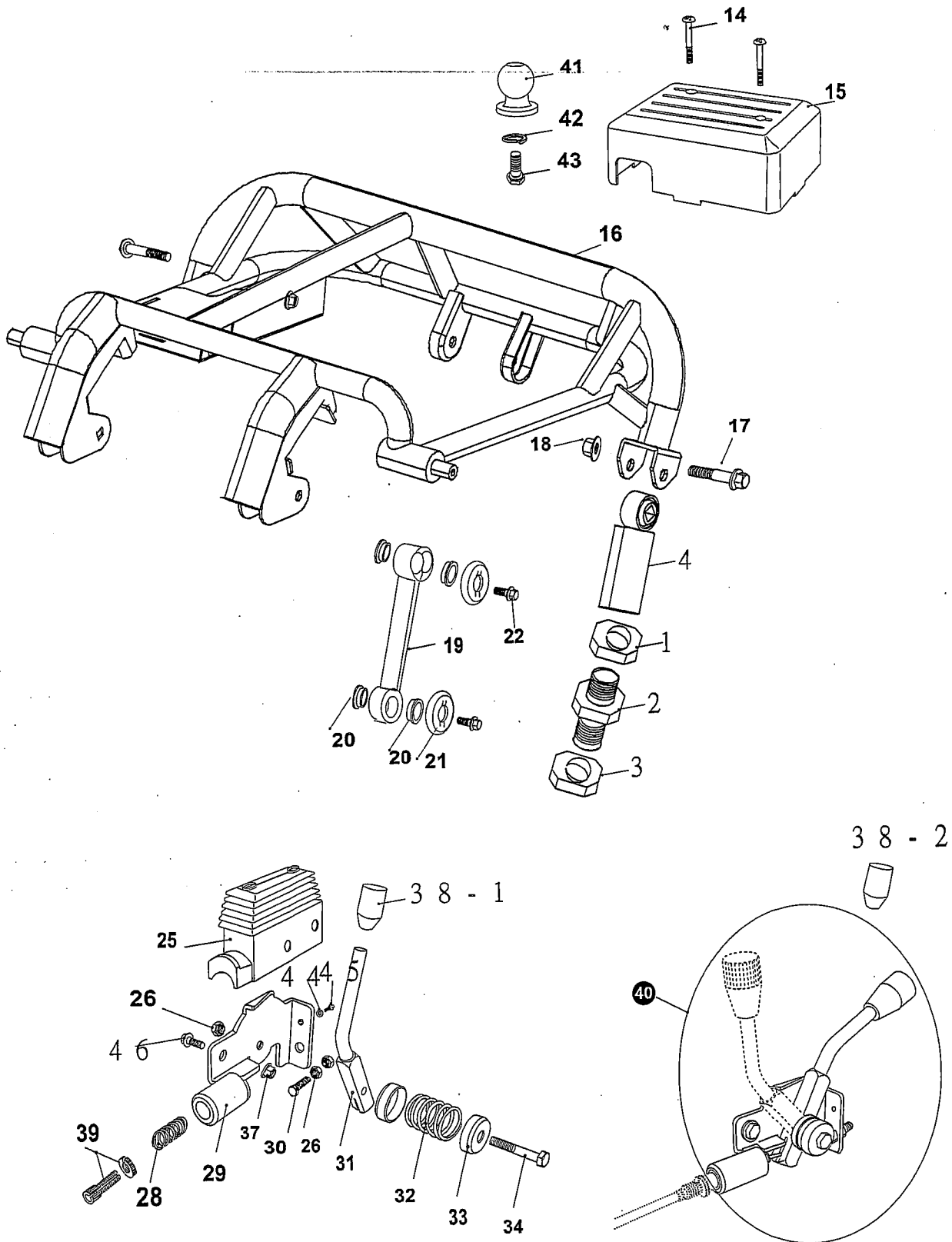
F 5 .

REAR CARGO RACK/SEAT/BELT

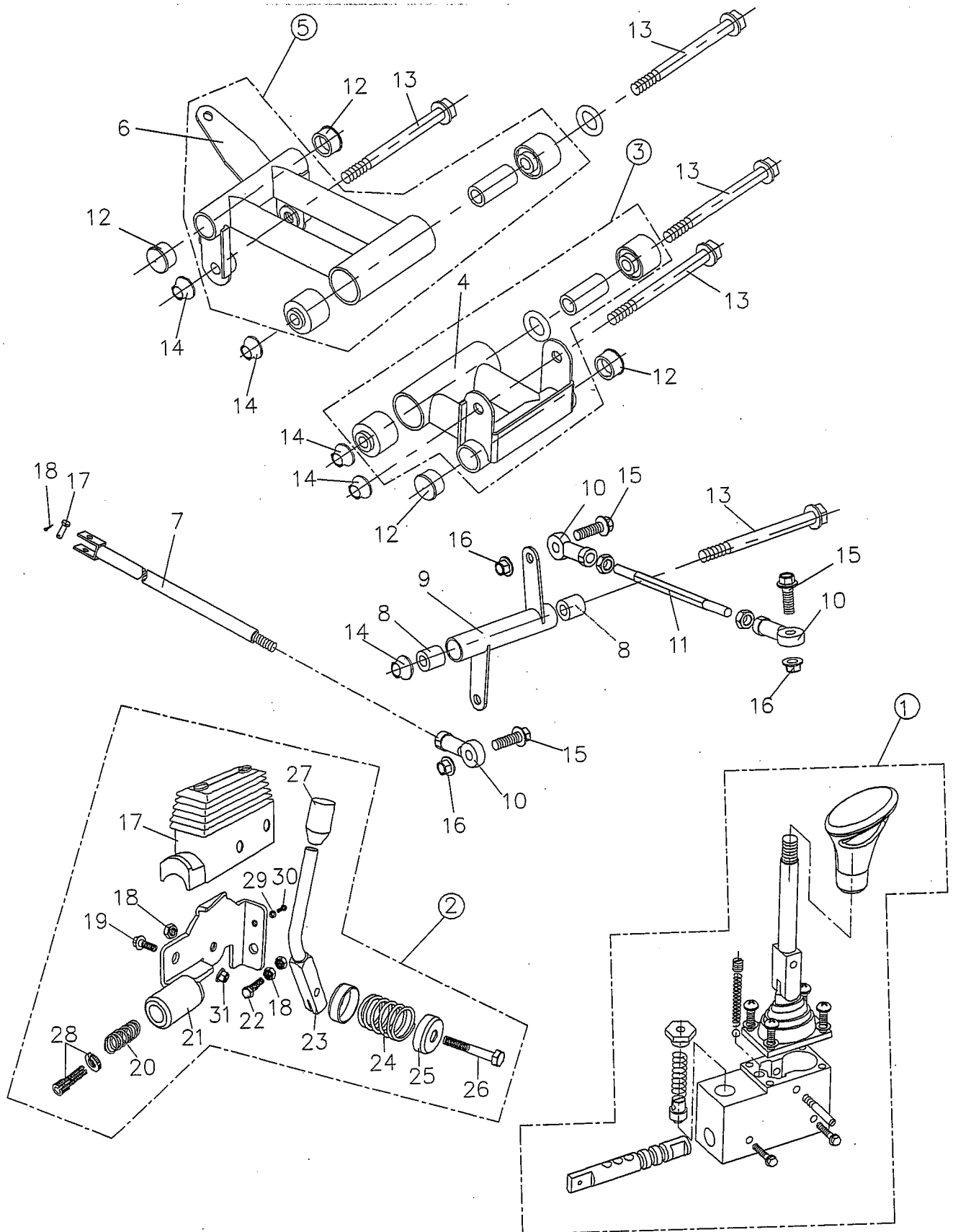


F6-1. (FOR BR-50 & BR-250-SINGLE SEAT)

REAR SWING ARM ASSY. UPPER

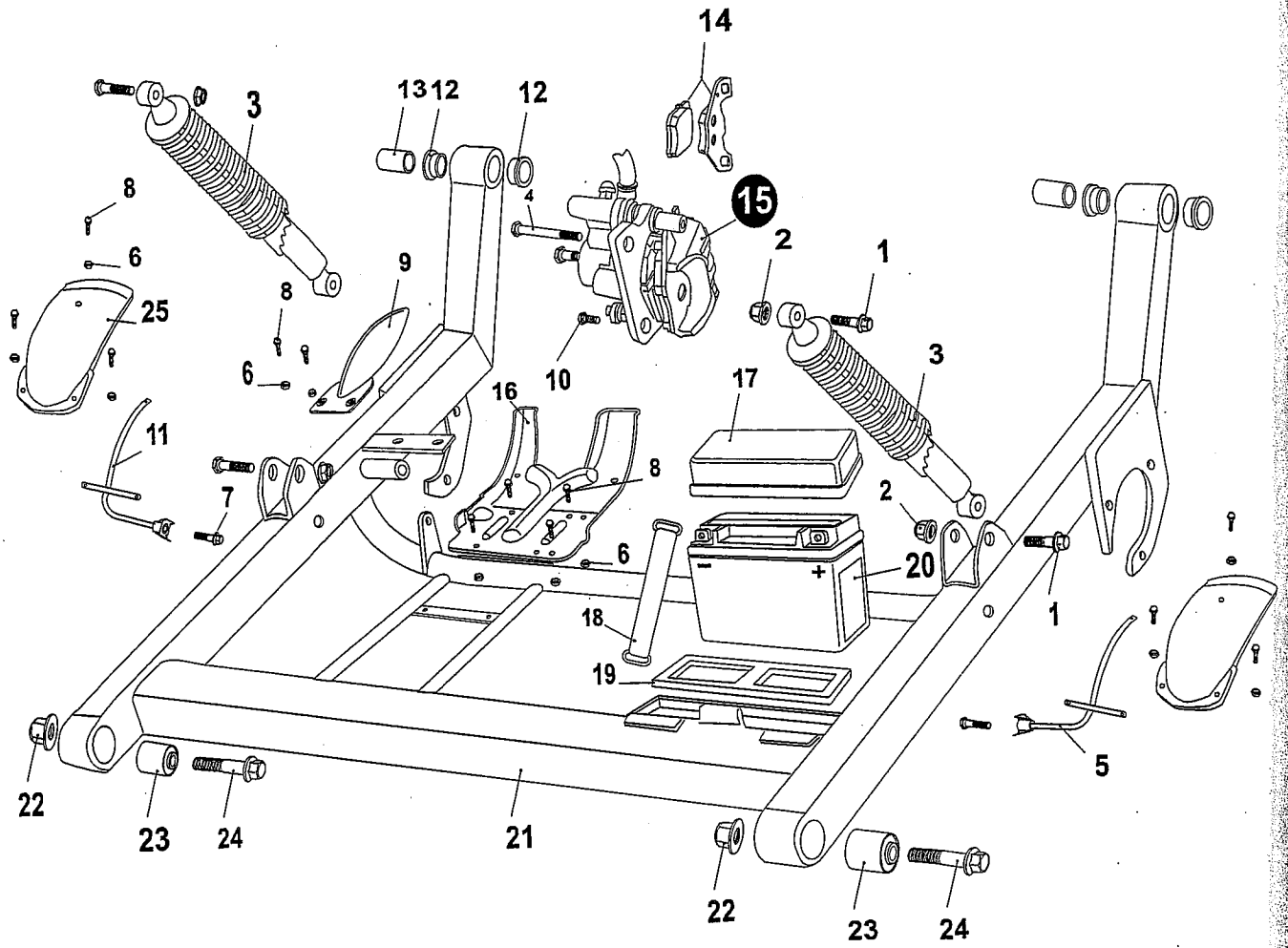


F6-2. BR250-DUAL GEAR SHIFTING MECHANISM

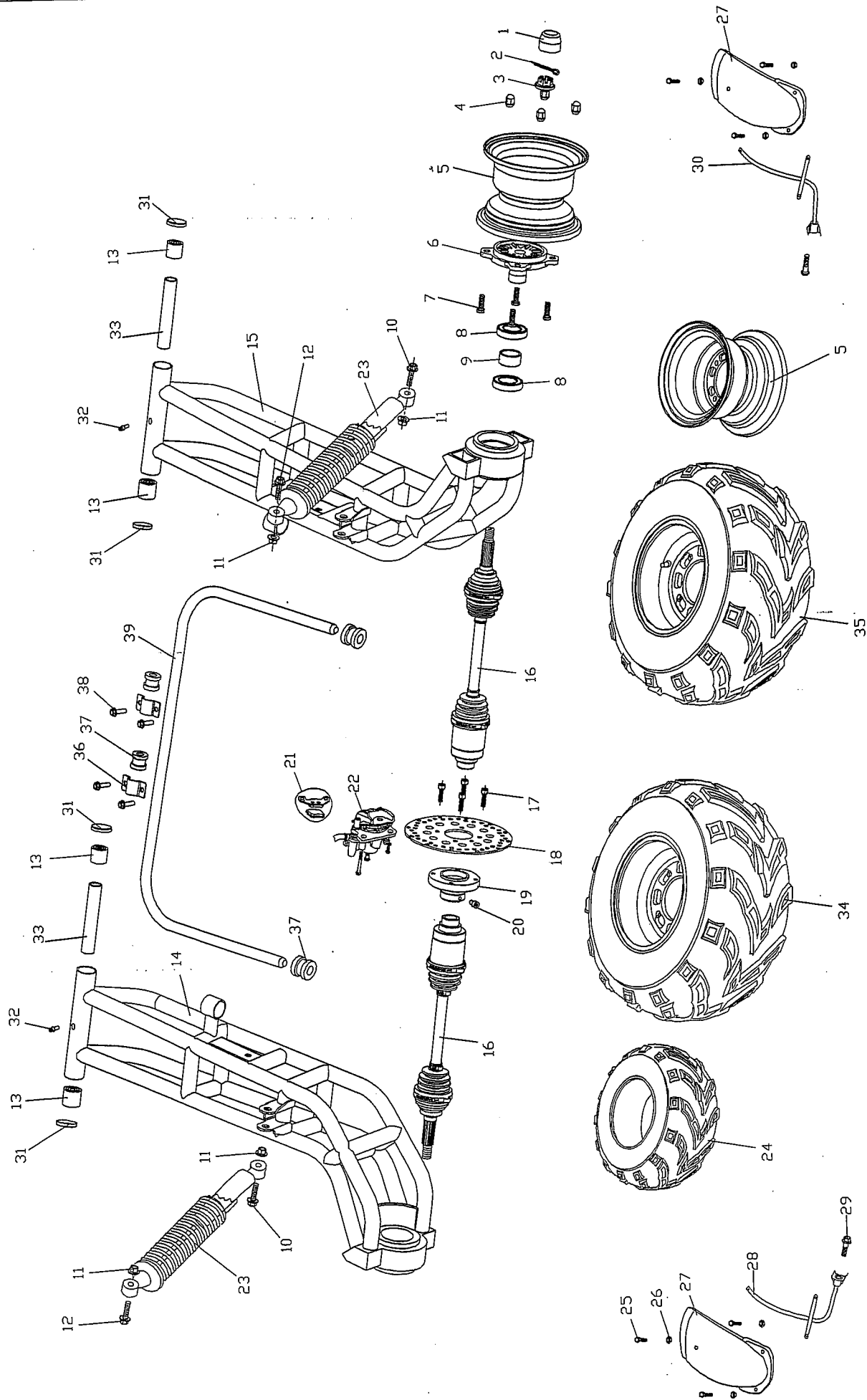


F7.

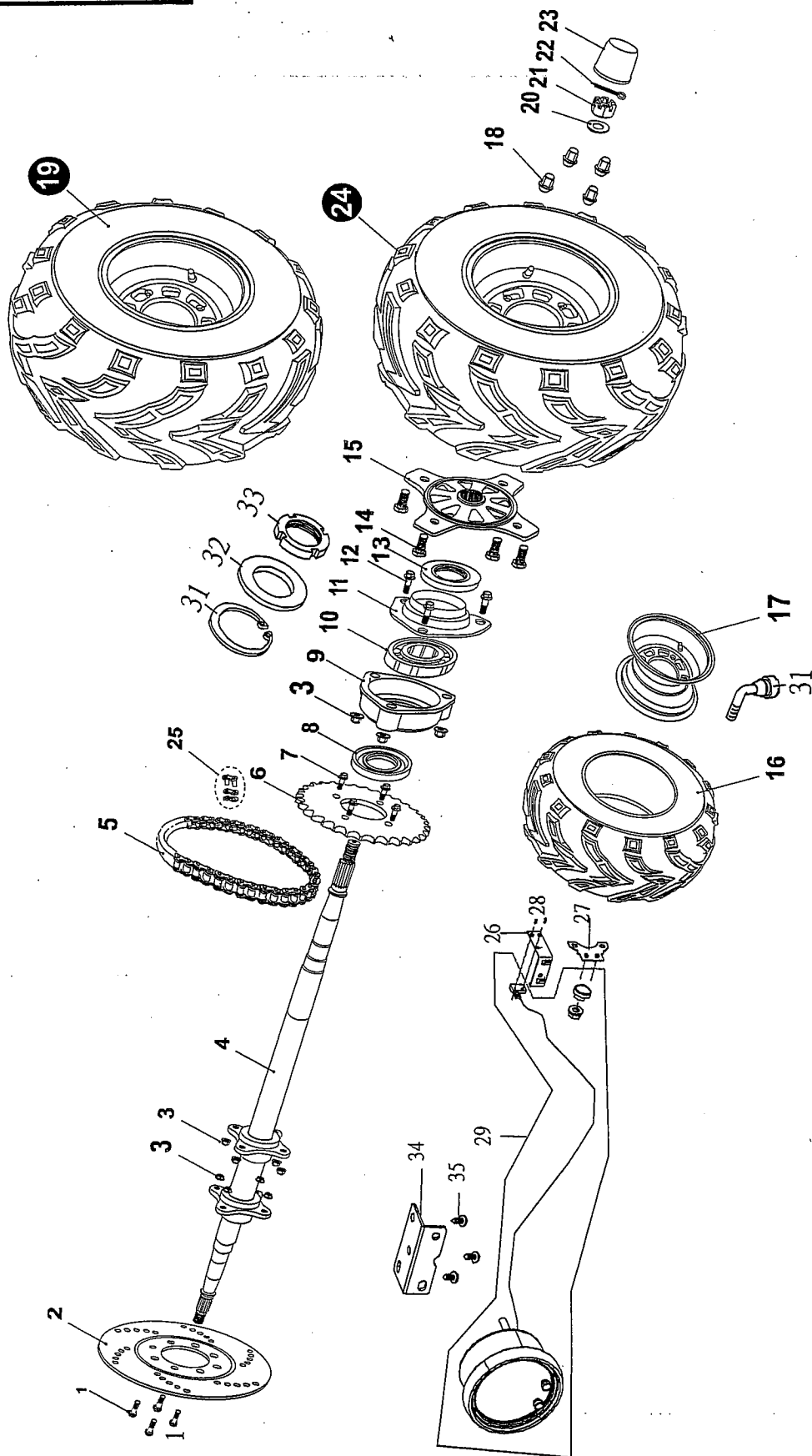
REAR SWING ARM



F7-2. BR250-DUAL REAR SWING ARM

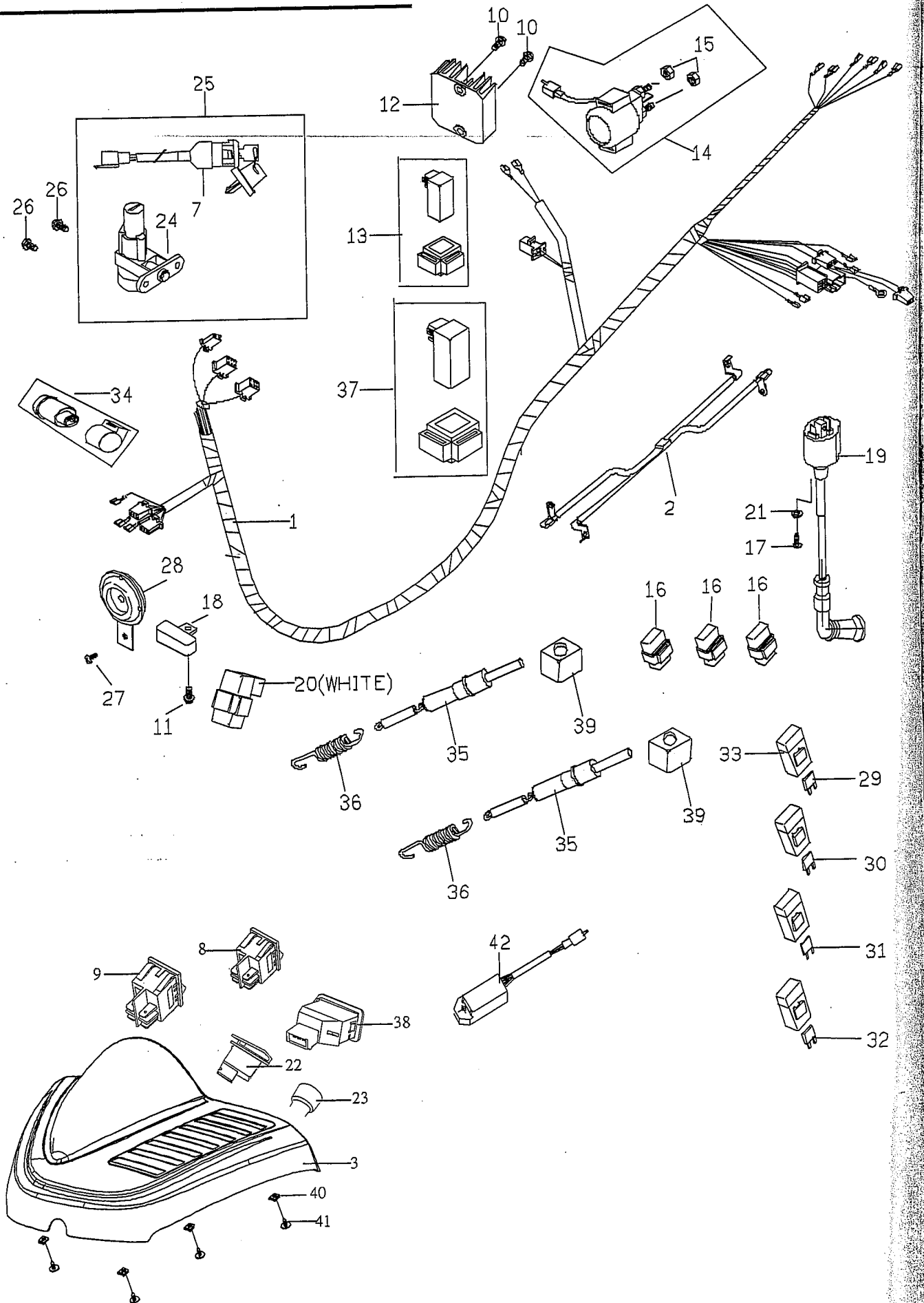


F 8 . REAR HOUSING

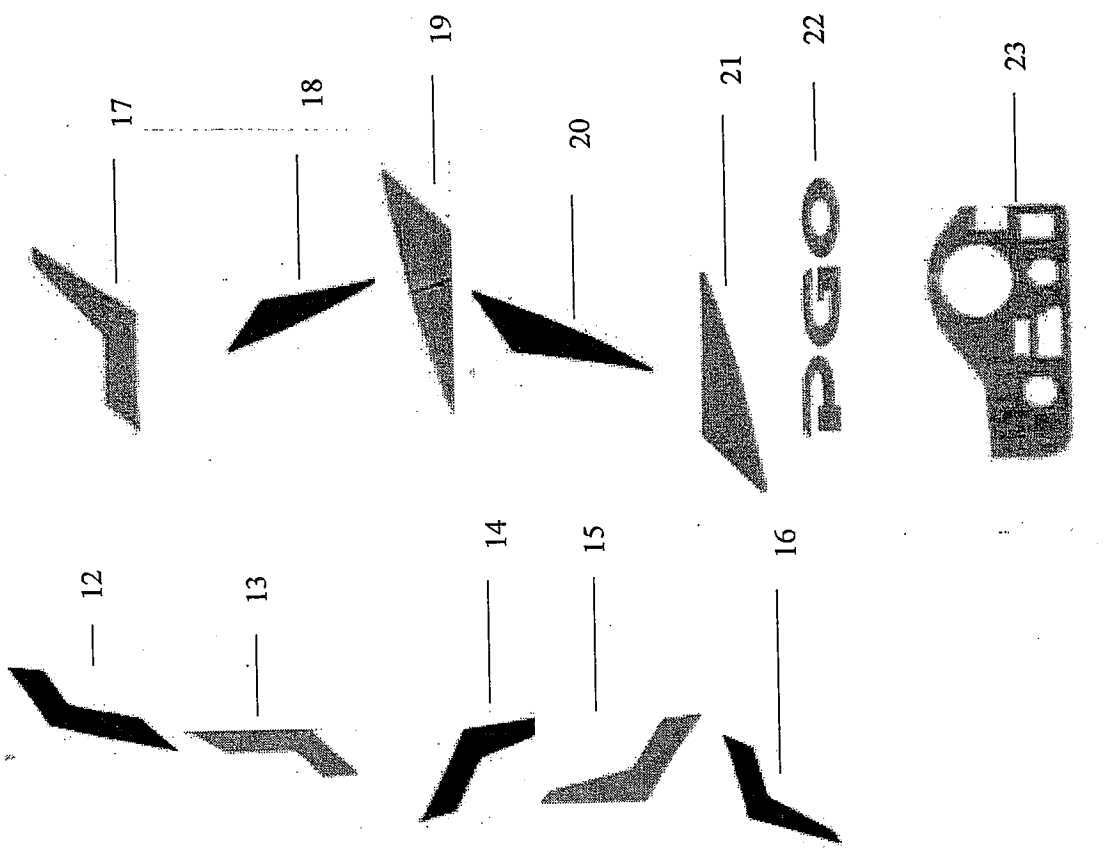
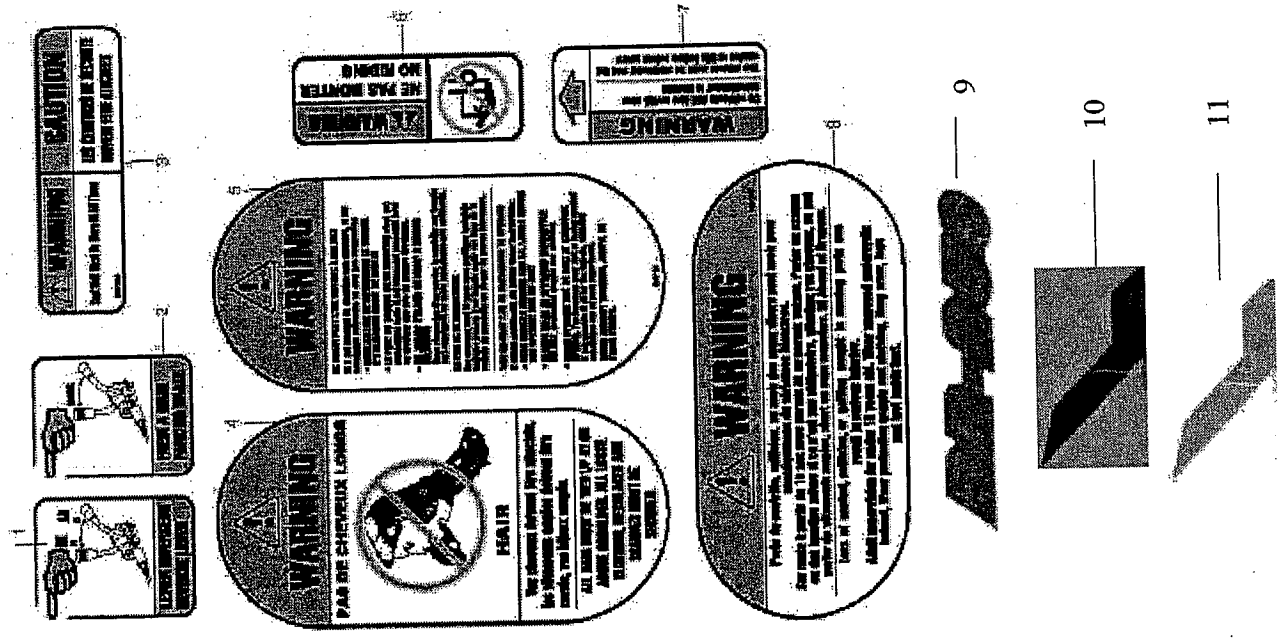


F9.

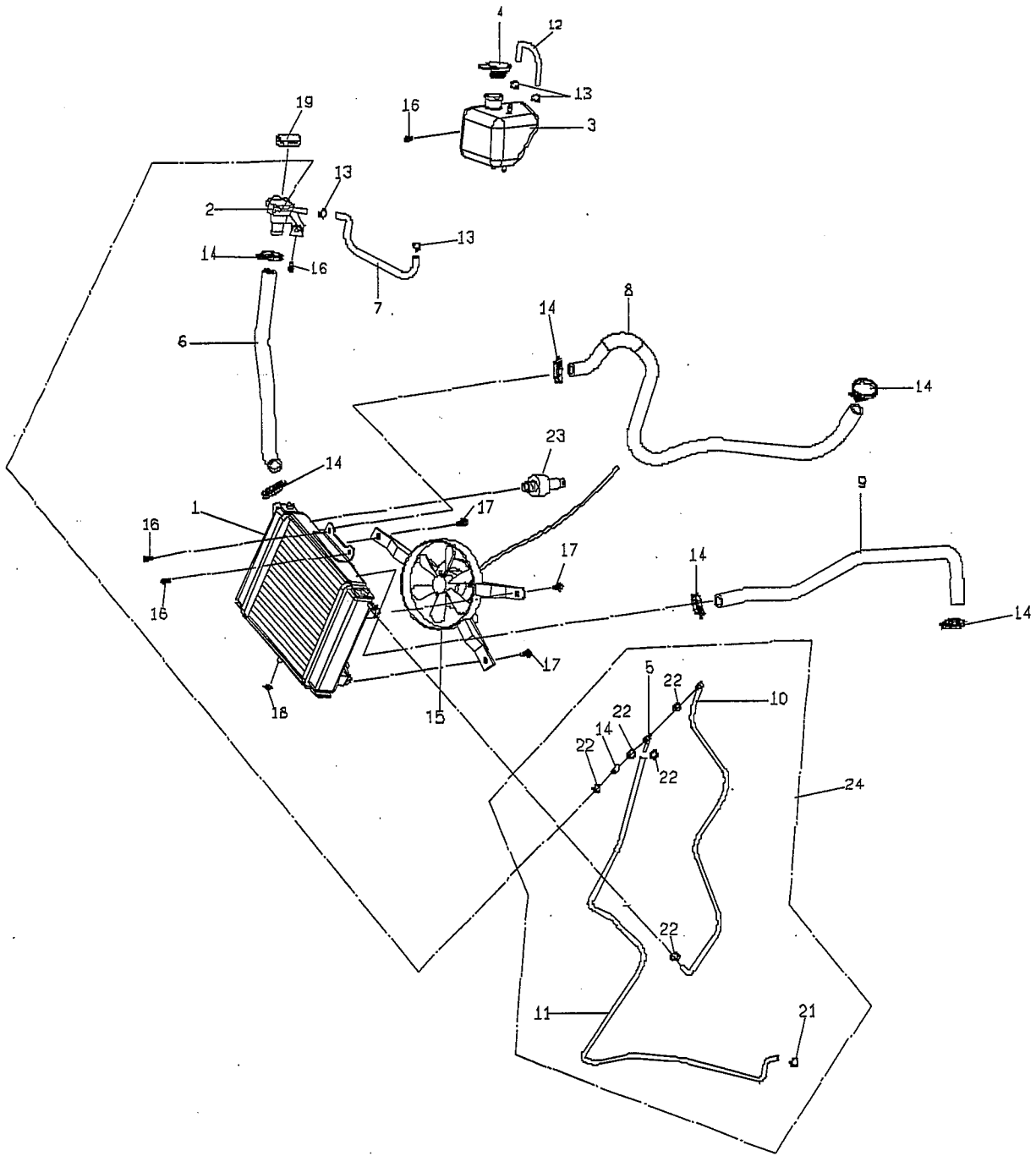
WIRE HARNESS/ELECTRICAL



F10.BR250 LABELS



F11. 散熱器總成
WATER TANK ASSY



F11. 散熱器總成
WATER TANK ASSY

