

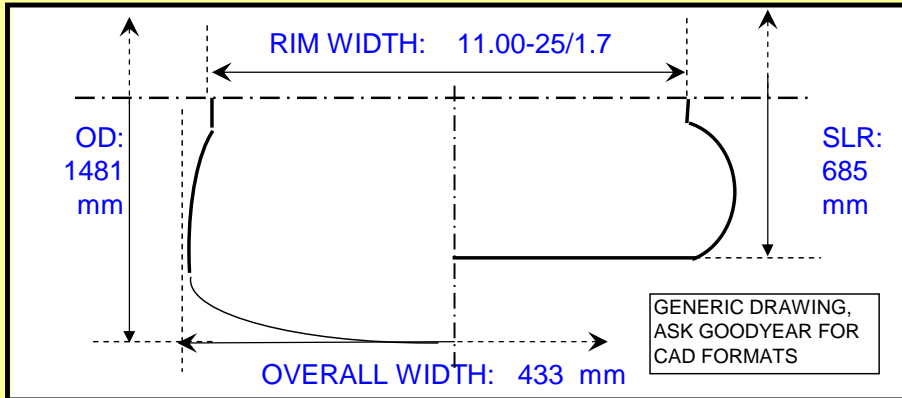


住友ゴム工業株式会社
SUMITOMO RUBBER INDUSTRIES, LTD.

Technical Data:

445/95R25

DUNLOP SP ER50



TIRE SIZE	445/95R25
LOAD INDEX / SPEED SYMBOL	177E
TREAD PATTERN / TYPE	DUNLOP SP ER50
RIM WIDTH AND FLANGE HEIGHT	11.00-25/1.7
TIRE SECTION WIDTH (mm)	433
TIRE OUTER DIAMETER (mm)	1,481
STATIC LOADED RADIUS (mm)	685
ROLLING CIRCUMFERENCE (mm)	4,463
GROSS CONTACT AREA (cm²)	1,144
TREAD DEPTH SH (mm)	22.5
TIRE WEIGHT (kg)	196

LOAD CAPACITY per TIRE (Kg) ON HIGHWAY SERVICE

INFLATION	10.0 bar				9.0 bar								
	0	2	10	20	30	40	50	60	70	80	90	100	
SPEED (km/h)													
LOAD (kg)	23,000	19,500	15,000	13,000	9,490	9,050	8,620	8,180	7,300	6,000	5,110	4,380	