

Table of Contents

Card Readers

DK Prox / Mifare Card Readers.....	4
HID Card Readers.....	6
AWID Card Readers	8
ID-Teck Card Readers	10

Keypads

Digital Key Pads	12
------------------------	----

RF Controls

MicroPlus RF Controls	14
MicroClik RF Controls	16

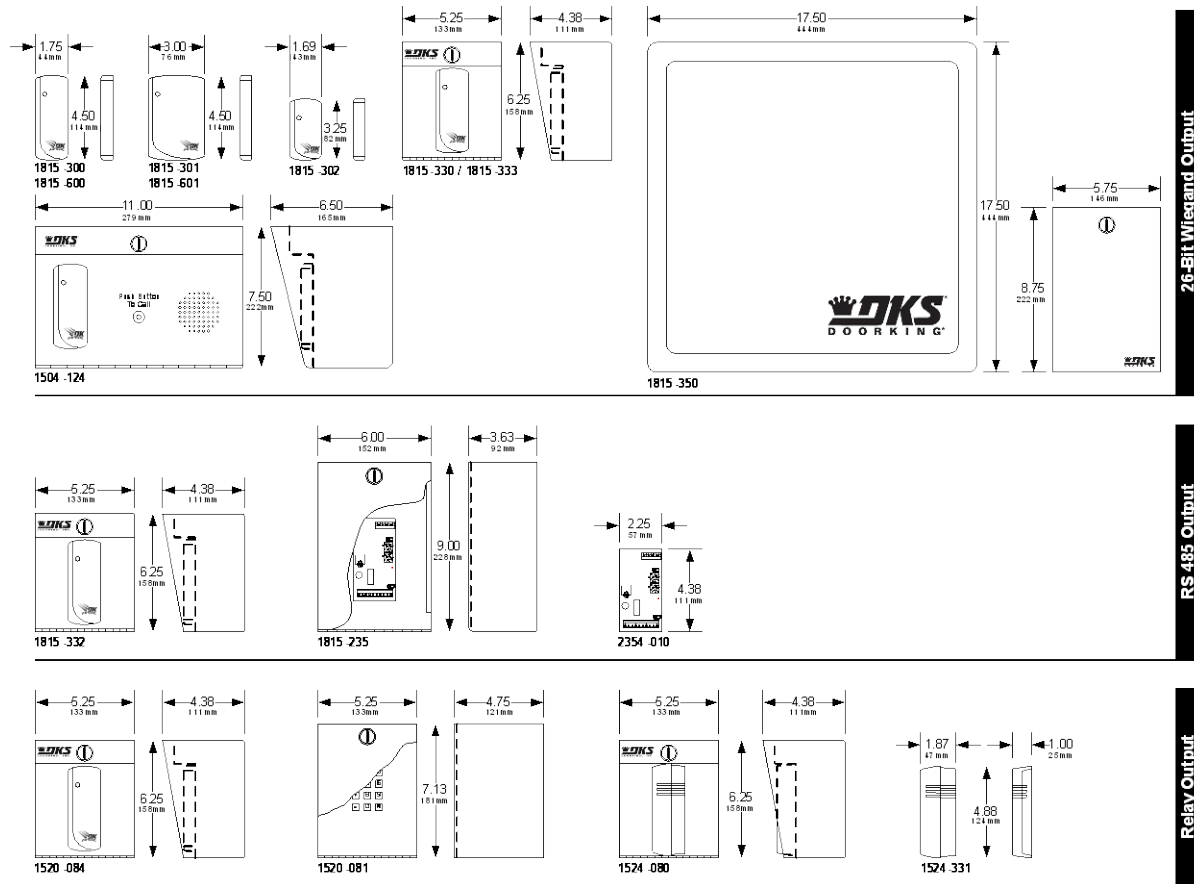
Miscellaneous Controls

Key Switches	18
Exit Push Buttons.....	19
Postal & Fire Department Lock Boxes	20

Door and Gate Locks

1200 Lb. Magnetic Door Locks	22
600 Lb. Magnetic Door Locks	23
300 Lb. Mini-locks, 2000 Lb. Shear Lock.....	24
1200 Lb, 600 Lb. Magnetic gate Locks.....	25
Electric Dead-bolts and Door Strikes	26
Magnetic Door Backup Power Supplies.....	27

DK Prox Card Readers



26-Bit Wiegand Output

1815-300 Up to 3-inch range	144.00
1815-301 Up to 4-inch range	144.00
1815-302 Up to 2-inch range	144.00
1815-330 (1815-300 reader w/enclosure)	270.00
1815-333 (1815-330 w/expansion board)	878.00
1815-350 Up to 25-foot range	3096.00
1504-124 (1815-300 w/intercom substation)	644.00

1815-600 Reads Mifare Classic 4-Byte UID Cards¹178.00
 1815-601 Reads Mifare Classic 4-Byte UID Cards¹206.00
 Note1: These readers output the Mifare card code in a 26-Bit wiegand format. The 1815-620 card identifier is required as Mifare cards are not printed with 26-Bit codes (next page).

RS-485 Output (ACCESS PLUS ONLY)

1815-332 Up to 3-inch range	454.00
1815-235 (2354-010 w/enclosure)	332.00
2354-010 (26-Bit Wiegand to RS-485 converter)	190.00

Relay Output (Stand Alone)

1520-084	822.00
1520-081 Controller only	758.00
<ul style="list-style-type: none"> 1520 reader/controller can store up to 1000 card codes 3600 event history buffer Built-in programming keypad Timed anti-pass back, hold open time zones 	

1524-080 (1524-331 w/enclosure)	494.00
1524-331	366.00
1815-340 Replacement Programmer	60.20
<ul style="list-style-type: none"> 1524 reader can store up to 1000 card codes Use 1815-340 hand held programmer to add / delete individual cards or blocks of cards 	

DK Prox Cards

Cards are sold in blocks of 50 only.

These cards are factory pre-coded. Card numbers may, or may not be, in numerical sequence.

1508-120 Clamshell Cards

50-100	5.32
150-500	4.92
550-950	4.52
1000+	4.12

1508-121 ISO Graphics Cards

50-100	7.36
150-500	6.96
550-950	6.56
1000+	6.16

1508-123 Key Tags

50-100	7.86
150-500	7.46
550-950	7.06
1000+	6.66

UHF DK Prox Cards

These cards are factory pre-coded. Card numbers may, or may not be, in numerical sequence.

1508-191 ISO Card UHF Only	12.62
1508-198 ISO Card UHF/DK Prox Dual Tech ¹	14.92
1815-318 Windshield Holder	4.58
1815-319 Rearview Mirror Holder	4.58

Note 1: 1508-191 can only be used with 1815-350 card reader. 1508-198 dual technology card can be used with both 1815-350 and all other DK Prox card readers.

Card Identifier for PC

1815-620 Mifare Classic 4-Byte UID Cards ^{1,2}	210.00
1815-640 26-Bit Prox Cards ³	132.00

Note 1: Card identifier is required when using Mifare cards as the 26-Bit wiegand code is not printed on these cards.

Note 2: Requires Mifare card identifier software - free download:

Note 3: Requires Prox card identifier software - free download:

<http://www.doorking.com/accessories/access-control-accessories/dkprox-card-identifier>

Special Order cards are sold in blocks of 100 only.

DK Prox Cards - Special Order¹

These cards include sequential coding, specific card numbers and specific start / stop numbering sequences.

1508-127 Clamshell Cards

50-100	7.86
150-500	7.46
550-950	7.06
1000+	6.66

1508-128 ISO Graphics Cards

50-100	9.88
150-500	9.48
550-950	9.08
1000+	8.68

1508-129 Key Tags

50-100	10.40
150-500	10.00
550-950	9.60
1000+	9.20

UHF DK Prox Cards – Special Order¹

These cards include sequential coding, specific card numbers and specific start / stop numbering sequences.

1508-190 ISO Card UHF Only	14.92
1508-197 ISO Card UHF/DK Prox Dual Tech	17.20
1815-318 Windshield Holder	4.58
1815-319 Rearview Mirror Holder	4.58

1508-195 Windshield/Headlight Tag²

1-50	13.76
51-150	12.96
151-500	12.16
501-999	11.36
1000+	10.56

1508-199 License Plate Tag

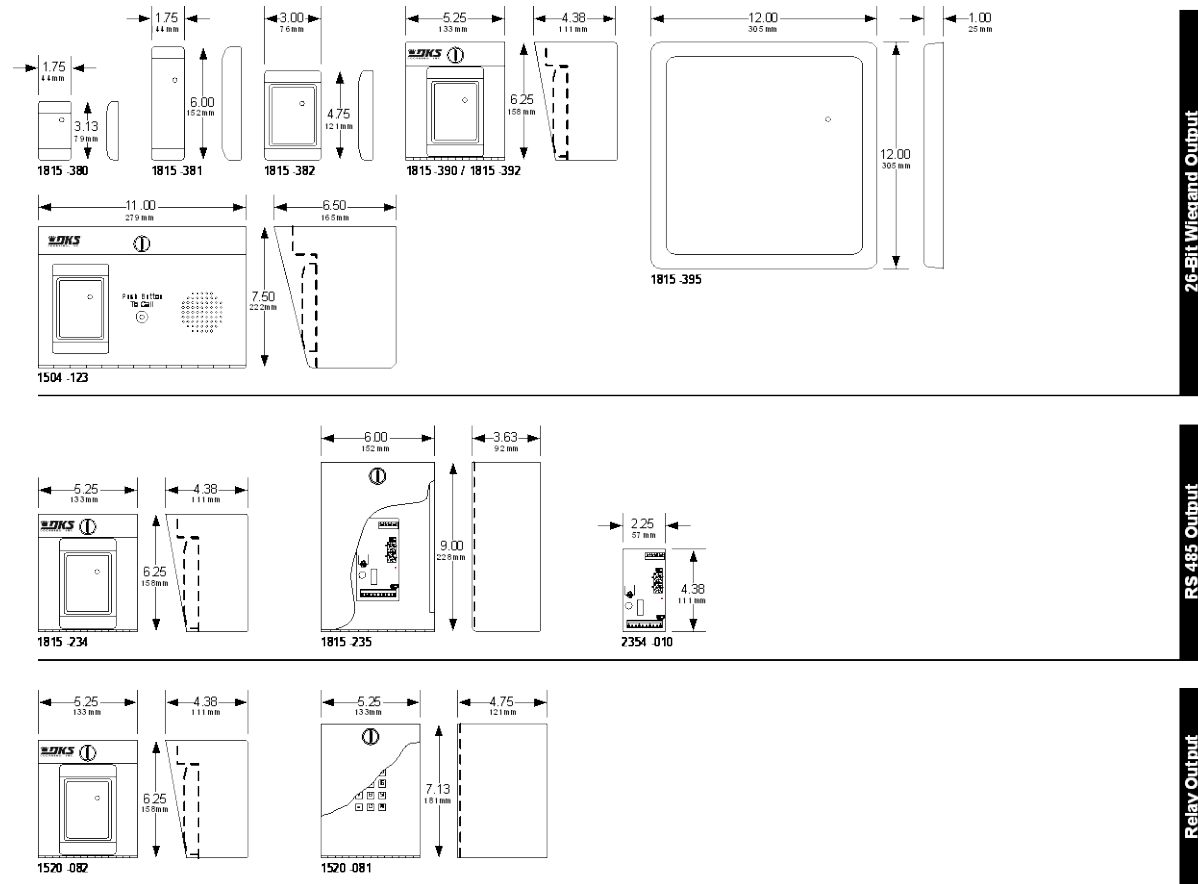
1-50	13.76
51-150	12.96
151-500	12.16
501-999	11.36
1000+	10.56

1508-190, 1508-195 and 1508-199 can only be used with 1815-350 card reader. 1508-197 dual technology cards can be used with both 1815-350 and all other DK Prox card readers.

Note 1: Special orders cannot be returned for credit.

Note 2: Headlight tags are illegal in some States. Check with the State Department of Transportation before ordering headlight tags.

HID Proximity Card Readers



26-Bit Wiegand Output

1815-380 (ProxPoint Plus) Up to 3-inch range.....	342.00
1815-381 (MiniProx) Up to 5-inch range	670.00
1815-382 (ThinLine) Up to 5-inch range	642.00
1815-390 (1815-382 reader w/enclosure).....	740.00
1815-392 (1815-390 w/expansion board)	1284.00
1504-123 (1815-382 w/intercom substation).....	836.00
1815-395 (MaxiProx) Up to 6-foot range.....	2022.00
• Use 1508-014 Active Tags with 1815-395	

RS-485 Output (ACCESS PLUS ONLY)

1815-234 (ThinLine) Up to 5-inch range	962.00
1815-235 (2354-010 w/enclosure)	332.00
2354-010 (26-Bit Wiegand to RS-485 converter).....	190.00

Relay Output (Stand Alone)

1520-082.....	1110.00
1520-081 Controller only	758.00

- 1520 reader/controller can store up to 1000 card codes
- 3600 event history buffer
- Built-in programming keypad
- Timed anti-pass back, hold open time zones

HID Prox Cards

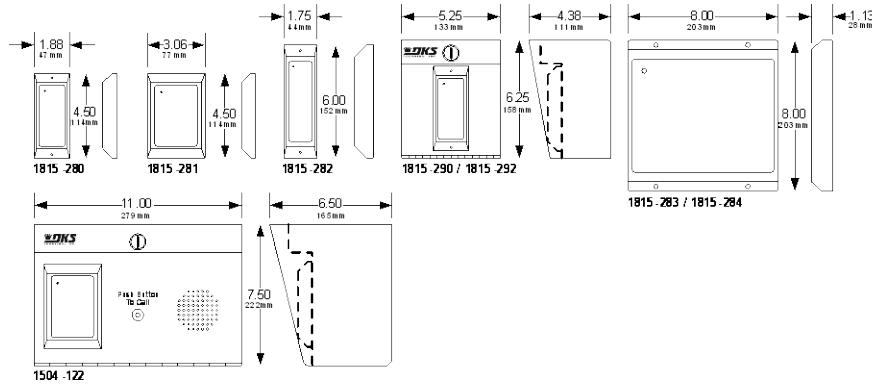
Cards are sold in blocks of 50 only.

Special order cards are sold in blocks of 100 only.

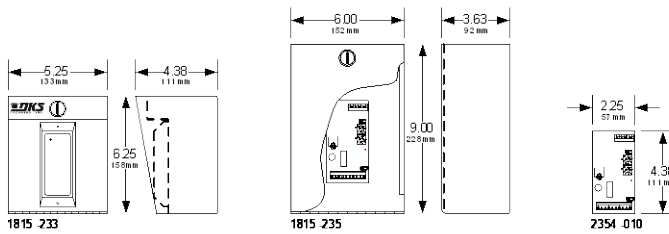
HID Prox Cards	
These cards are factory pre-coded. Card numbers may, or may not be, in numerical sequence.	
1508-018 ProxCard Clamshell Cards	
50-100.....	7.86
150-500.....	7.46
550-950.....	7.06
1000+.....	6.66
1508-017 Prox ISO Graphics Cards	
50-100.....	12.42
150-500.....	12.02
550-950.....	11.62
1000+.....	11.22
1508-016 ProxKey Key Tags	
50-100.....	12.92
150-500.....	12.52
550-950.....	12.12
1000+.....	11.72

HID Prox Cards - Special Order¹	
These cards include sequential coding, specific card numbers and specific start / stop numbering sequences.	
1508-143 ProxCard Clamshell Cards	
50-100.....	10.40
150-500.....	10.00
550-950.....	9.60
1000+.....	9.20
1508-144 Prox ISO Graphics Cards	
50-100.....	14.94
150-500.....	14.54
550-950.....	14.14
1000+.....	13.74
1508-145 ProxKey Key Tags	
50-100.....	15.44
150-500.....	15.04
550-950.....	14.64
1000+.....	14.24
1508-014 ProxPass Active Tags (use with 1815-395 only)	
1-9.....	100.66
10-30.....	97.66
40-100.....	94.66
110-490.....	91.66
500+.....	88.66
Note 1: Special orders cannot be returned for credit.	

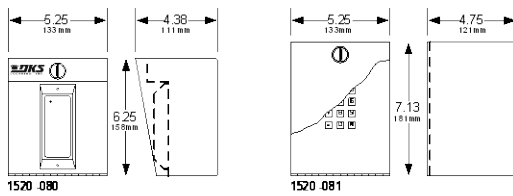
AWID Proximity Card Readers



26-Bit Wiegand Output



RS-485 Output



Relay Output

26-Bit Wiegand Output

1815-280 (SR 2400) Up to 4-inch range	228.00
1815-281 (SP 6820) Up to 8-inch range	410.00
1815-282 (MM 6800) Up to 2-inch range	410.00
1815-290 (1815-280 reader w/enclosure)	342.00
1815-292 (1815-290 w/expansion board)	884.00
1815-283 (MR 1824) Up to 24 inch range	822.00
1815-284 (MR 1824 MC) Up to 16 inch range	1012.00
1504-122 (1815-281 w/intercom substitution)	728.00

RS-485 Output (ACCESS PLUS ONLY)

1815-233 Up to 3-inch range	542.00
1815-235 (2354-010 w/enclosure)	332.00
2354-010 (26-Bit Wiegand to RS-485 converter)	190.00

Relay Output (Stand Alone)

1520-080	912.00
1520-081 Controller only	758.00

- 1520 reader/controller can store up to 1000 card codes
- 3600 event history buffer
- Built-in programming keypad
- Timed anti-pass back, hold open time zones

AWID Prox Cards

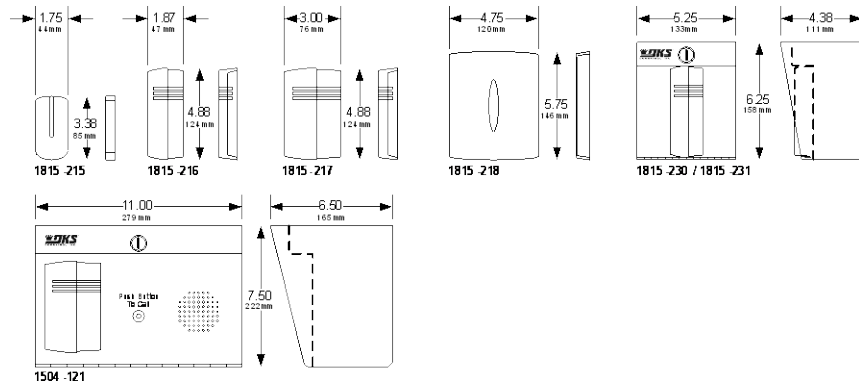
Cards are sold in blocks of 50 only.

Special order cards are sold in blocks of 100 only.

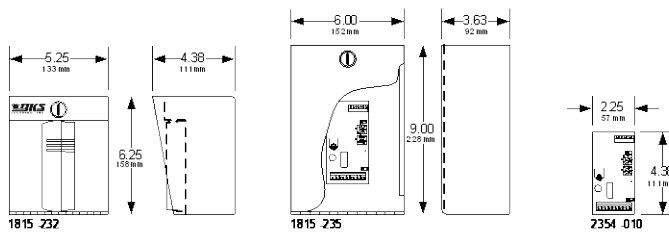
AWID Prox Cards	
These cards are factory pre-coded. Card numbers may, or may not be, in numerical sequence.	
1508-020 Prox-Linc Clamshell Cards	
50-100	6.58
150-500	6.18
550-950	5.78
1000+	5.38
1508-021 Prox-Linc GR ISO Graphics Cards	
50-100	10.00
150-500	9.60
550-950	8.20
1000+	8.80
1508-022 Prox-Linc KT Key Tags	
50-100	10.62
150-500	10.22
550-950	9.82
1000+	9.42

AWID Prox Cards - Special Order¹ (minimum 100)	
These cards include sequential coding, specific card numbers and specific start / stop numbering sequences.	
1508-132 Prox-Linc Clamshell Cards	
50-100	9.12
150-500	8.72
550-950	8.32
1000+	7.92
1508-133 Prox-Linc GR ISO Graphics Cards	
50-100	12.52
150-500	12.12
550-950	11.72
1000+	11.32
1508-134 Prox-Linc KT Key Tags	
50-100	13.14
150-500	12.74
550-950	12.34
1000+	11.94
Note 1: Special orders cannot be returned for credit.	

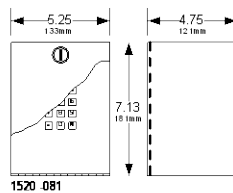
ID-Teck Proximity Card Readers



26-Bit Wiegand Output



RS-485 Output



Relay Output

26-Bit Wiegand Output

1815-215 (RF Tiny) Up to 3-inch range	240.00
1815-216 (RF 10) Up to 3-inch range	240.00
1815-217 (RF 20) Up to 3-inch range	240.00
1815-218 (RF 30) Up to 12 inch range	658.00
1815-230 (1815-216 reader w/enclosure)	338.00
1815-231 (1815-230 w/expansion board)	868.00
1504-121 (1815-217 w/intercom substation)	736.00

RS-485 Output (ACCESS PLUS ONLY)

1815-232 Up to 3-inch range	530.00
1815-235 (2354-010 w/enclosure)	332.00
2354-010 (26-Bit Wiegand to RS-485 converter)	190.00

Relay Output (Stand Alone)

1520-081 Controller only	758.00
--------------------------------	--------

- 1520 reader/controller can store up to 1000 card codes
- 3600 event history buffer
- Built-in programming keypad
- Timed anti-pass back, hold open time zones

ID-Teck Prox Cards

Note: cards will work with the following ID-Teck Prox readers only:
 1815-215, 1815-216, 1815-217, 1815-218, 1815-230, 1815-231, 1504-121

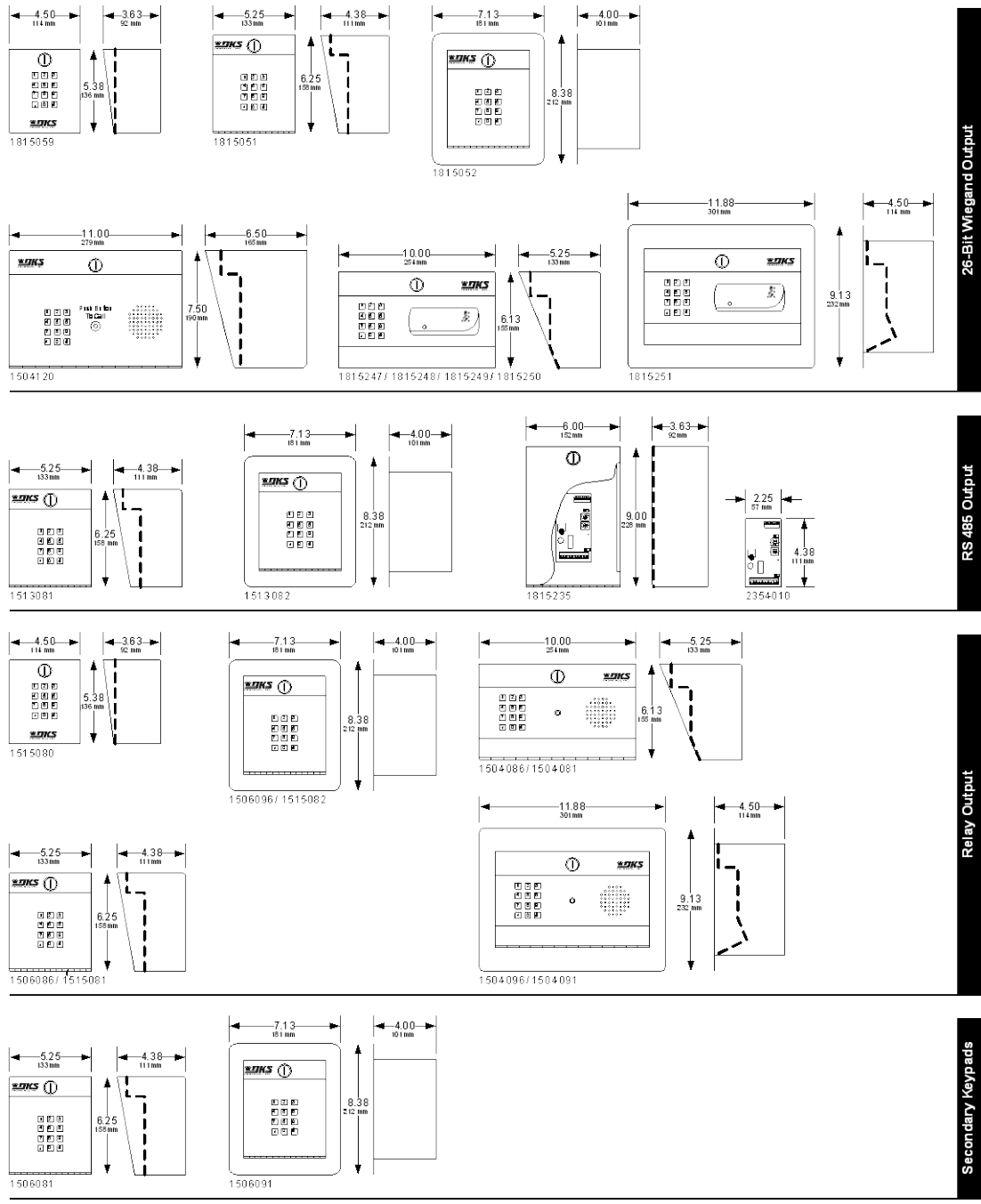
Cards are sold in blocks of 50 only.

ID-Teck Prox Cards	
These cards are factory pre-coded. Card numbers may, or may not be, in numerical sequence.	
1508-110 RF 170 Clamshell Cards	
50-100.....	7.68
150-500.....	7.28
550-950.....	6.88
1000+.....	6.48
1508-111 RF 80 ISO Graphics Cards	
50-100.....	12.42
150-500.....	12.02
550-950.....	11.62
1000+.....	11.22
1508-112 RF 50 Key Tags	
50-100.....	13.14
150-500.....	12.74
550-950.....	12.34
1000+.....	11.94

Special order cards are sold in blocks of 100 only.

ID-Teck Prox Cards - Special Order¹	
These cards include sequential coding, specific card numbers and specific start / stop numbering sequences.	
1508-136 RF 170 Clamshell Cards	
50-100.....	10.22
150-500.....	9.82
550-950.....	9.42
1000+.....	9.02
1508-137 RF 80 ISO Graphics Cards	
50-100.....	14.94
150-500.....	14.54
550-950.....	14.14
1000+.....	13.74
1508-138 RF 50 Key Tags	
50-100.....	15.68
150-500.....	15.28
550-950.....	14.88
1000+.....	14.48
Note 1: Special orders cannot be returned for credit.	

Keypads



26-Bit Wiegand Output

RS 485 Output

Relay Output

Secondary Keypads

Keypads

26-Bit Wiegand Output

These keypads must be connected to a 26-bit wiegand controller, such as the DK 1830 Series. They are not stand-alone devices.

1815-059 Surface Mount	432.00
• Low power solar mode.	
1815-051 Surface Mount	558.00
1815-052 Flush Mount.....	696.00
1504-120 Surface Mount w/intercom substation	848.00
1815-247 Surface Mount	1086.00
• Keypad with ID Tech (1815-216) card reader.	
1815-248 Surface Mount	1126.00
• Keypad with AWID (1815-281) card reader.	
1815-249 Surface Mount	1252.00
• Keypad with HID (1815-382) card reader.	
1815-250 Surface Mount	1040.00
• Keypad with DK Prox (1815-300) card reader.	
1815-251 Flush Mount.....	1234.00
• Keypad with DK Prox (1815-300) card reader.	

RS-485 Output (ACCESS PLUS ONLY)

These keypads must be connected to a RS-485 controller, such as the DK Access Plus Series. They are not stand-alone devices.

1513-081 Surface Mount	570.00
1513-082 Flush Mount.....	708.00
1815-235 (2354-010 w/enclosure)	332.00
2354-010 (26-Bit Wiegand to RS-485 converter)	190.00

Relay Output (Stand Alone)

These keypads use a dry relay(s) contact and are designed to be used as a stand-alone device.

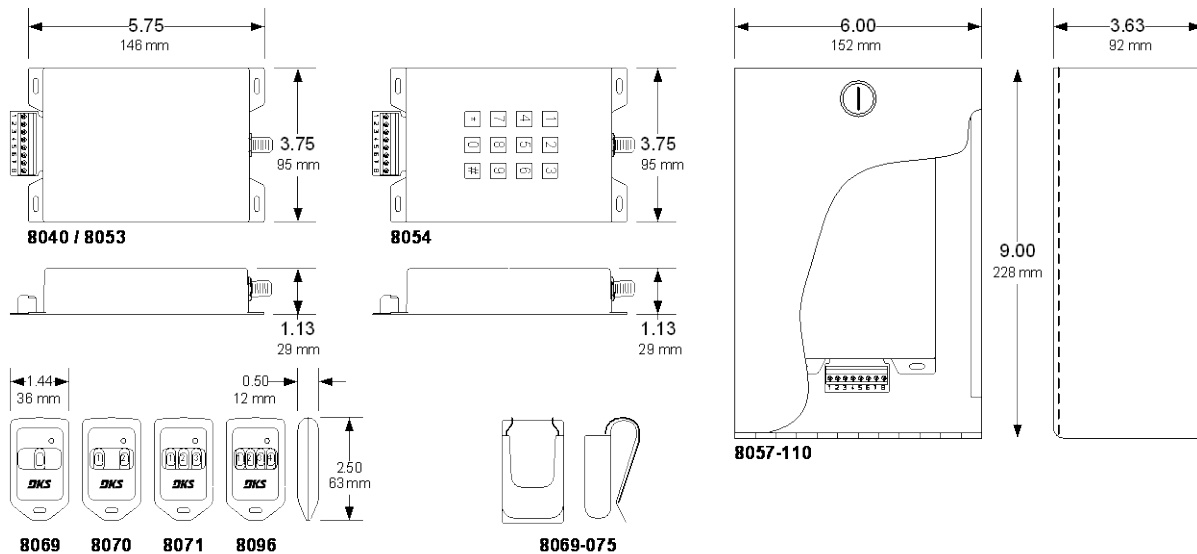
1506-086 Surface Mount	696.00
1506-096 Flush Mount.....	836.00
1504-086 Surface Mount w/intercom substation	862.00
1504-096 Flush Mount w/intercom substation.....	1062.00
• 2 Form C dry contact relays.	
• 1000 four (4) digit entry codes.	
• 6 five (5) digit entry codes.	
• Hold open codes.	
• Time zone inputs.	
1515-080 Surface Mount	410.00
1515-081 Surface Mount	546.00
1515-082 Flush Mount.....	674.00
1504-081 Surface Mount w/intercom substation	702.00
1504-091 Flush Mount w/intercom substation.....	768.00
• 1 Form C dry contact relay.	
• 400 four (4) or five (5) digit entry codes.	
• Hold open codes.	
• NFC programming with DK Manager app (free from Google Play store), Android only.	
• Low power solar mode.	

Secondary Keypad

These keypads can only be used with DK telephone entry systems.

1506-081 Surface Mount	466.00
1506-091 Flush Mount.....	604.00

MicroPLUS RF Controls



26-Bit Wiegand Output	
8040-080	204.00
<ul style="list-style-type: none"> • 5300 Transmitter codes. • 26, 30 or 31-bit wiegand format. 	
8040-090	204.00
<ul style="list-style-type: none"> • 5300 Transmitter codes. • 26, 30 or 31-bit wiegand format. • Compatible with Elite Series¹ DT-418 transmitters. 	
1. Elite Series is a registered trademark of The Chamberlain Group, Inc.	
RS-485 Output (ACCESS PLUS ONLY)	
8053-080	228.00
<ul style="list-style-type: none"> • 5300 Transmitter codes. 	

Relay Output (Stand Alone)	
8040-080 100 Transmitter codes	204.00
<ul style="list-style-type: none"> • Program via the "learn" method. • Individual codes cannot be deleted. 	
8054-081 50 Transmitter codes	410.00
8054-082 100 Transmitter codes	480.00
8054-083 250 Transmitter codes	546.00
8054-084 500 Transmitter codes	614.00
8054-085 1000 Transmitter codes	684.00
8054-086 1250 Transmitter codes	750.00
<ul style="list-style-type: none"> • Built-in time clock, 10 programmable time zones. • 2300 event history buffer. • Can be connected to a serial printer. 	
Receiver Accessories	
8057-110 Lockable outdoor enclosure.....	122.00
1514-073 Coax Antenna kit.....	60.70
1514-072 High Gain antenna 318 MHz	218.00
8052-080 Antenna Amplifier 318 MHz.....	252.00

MicroPlus Transmitters / ProxMitters (Transmitter w/proximity card reader built-in)

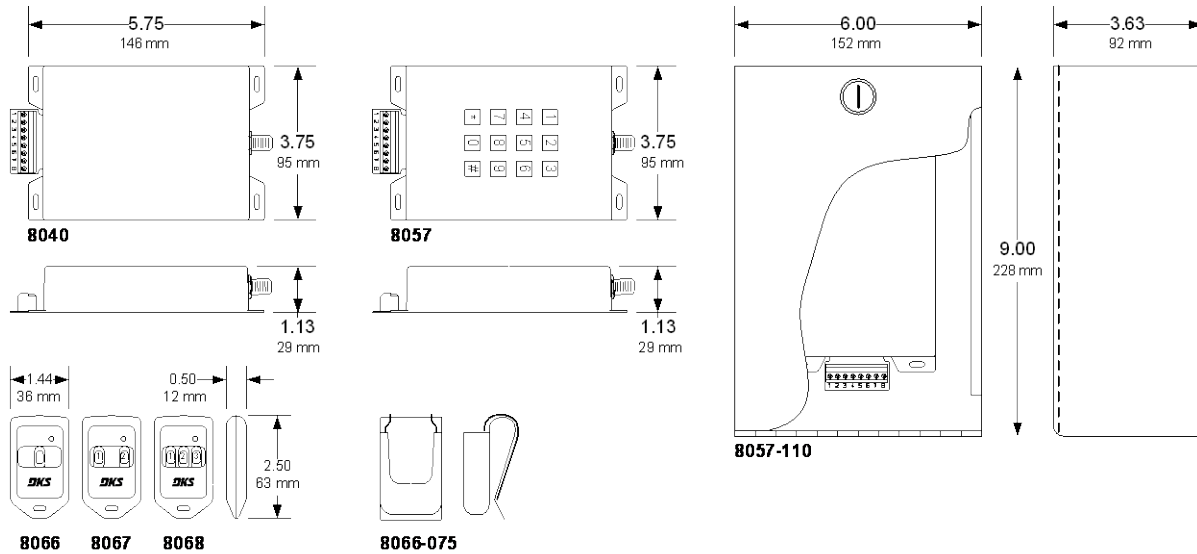
IMPORTANT! The prices shown are for block-coded transmitters ordered in multiples of 10 only. Add \$3.70 per transmitter for any order specifying transmitter numbering sequence or facility codes.

8069-080 1 Button	
10-30.....	39.70
40-100.....	37.70
110+.....	33.70
8070-080 2 Button	
10-30.....	41.90
40-100.....	39.90
110+.....	35.90
8071-080 3 Button	
10-30.....	44.10
40-100.....	42.10
110+.....	38.10
8096-080 4 Button	
10-30.....	46.30
40-100.....	44.30
110+.....	40.30
8069-082 1 Button w/AWID Tag	
10-30.....	49.62
40-100.....	47.62
110+.....	43.62
8070-082 2 Button w/AWID Tag	
10-30.....	51.82
40-100.....	49.82
110+.....	45.82
8071-082 3 Button w/AWID Tag	
10-30.....	54.04
40-100.....	52.04
110+.....	48.04
8096-082 4 Button w/AWID Tag	
10-30.....	56.24
40-100.....	54.24
110+.....	50.24
8069-084 1 Button w/HID Tag	
10-30.....	49.62
40-100.....	47.62
110+.....	43.62
8070-084 2 Button w/HID Tag	
10-30.....	51.82
40-100.....	49.82
110+.....	45.82
8071-084 3 Button w/HID Tag	
10-30.....	54.04
40-100.....	52.04
110+.....	48.04
8096-084 4 Button w/HID Tag	
10-30.....	56.24
40-100.....	54.24
110+.....	50.24

8069-086 1 Button w/IDTeck Tag	
10-30.....	49.62
40-100.....	47.62
110+.....	43.62
8070-086 2 Button w/IDTeck Tag	
10-30.....	51.82
40-100.....	49.82
110+.....	45.82
8071-086 3 Button w/IDTeck Tag	
10-30.....	54.04
40-100.....	52.04
110+.....	48.04
8096-086 4 Button w/IDTeck Tag	
10-30.....	56.24
40-100.....	54.24
110+.....	50.24
8069-087 1 Button w/DK Prox Tag	
10-30.....	49.62
40-100.....	47.62
110+.....	43.62
8070-087 2 Button w/DK Prox tag	
10-30.....	51.82
40-100.....	49.82
110+.....	45.82
8071-087 3 Button w/DK Prox Tag	
10-30.....	54.04
40-100.....	52.04
110+.....	48.04
8096-087 4 Button w/DK Prox Tag	
10-30.....	56.24
40-100.....	54.25
110+.....	50.24

MicroPlus Visor Clips (Black)	
8069-075	
1-30.....	4.16
31-100.....	3.66
101+.....	3.16

MicroClik RF Controls



26-Bit Wiegand Output	
8040-080	204.00
<ul style="list-style-type: none"> 5300 Transmitter codes. 26, 30 or 31-bit wiegand format. 	
8040-090	204.00
<ul style="list-style-type: none"> 5300 Transmitter codes. 26, 30 or 31-bit wiegand format. Compatible with Elite Series¹ DT-418 transmitters. 	
1. Elite Series is a registered trademark of The Chamberlain Group, Inc.	

Relay Output (Stand Alone)	
8040-080 100 Transmitter codes	204.00
<ul style="list-style-type: none"> Program via the "learn" method. Individual codes cannot be deleted. 	
8057-081 50 Transmitter codes	342.00
8057-082 100 Transmitter codes	410.00
8057-083 250 Transmitter codes	474.00
8057-084 500 Transmitter codes	546.00
8057-085 1000 Transmitter codes	614.00
8057-086 5000 Transmitter codes	684.00
8057-088 16,000 Transmitter codes	750.00
<ul style="list-style-type: none"> Built-in time clock, 10 programmable time zones. 2300 event history buffer. Can be connected to a serial printer. 	
Receiver Accessories	
8057-110 Lockable outdoor enclosure.....	122.00
1514-073 Coax Antenna kit	60.70
1514-072 High Gain antenna 318 MHz	218.00
8052-080 Antenna Amplifier 318 MHz.....	252.00

MicroClik Transmitters / ProxMitters (Transmitter w/proximity card reader built-in)

IMPORTANT! The prices shown are for block-coded transmitters ordered in multiples of 10 only. **Add \$3.70 per transmitter for any order specifying transmitter numbering sequence or facility codes.**

8066-080 1 Button	
10-30	41.90
40-100	39.90
110+	35.90
8067-080 2 Button	
10-30	44.10
40-100	42.10
110+	38.10
8068-080 3 Button	
10-30	46.30
40-100	44.30
110+	40.30

8066-084 1 Button w/IDTeck Tag	
10-30	51.82
40-100	49.82
110+	45.82
8067-084 2 Button w/IDTeck Tag	
10-30	54.04
40-100	52.04
110+	48.04
8068-084 3 Button w/IDTeck Tag	
10-30	56.24
40-100	54.25
110+	50.24

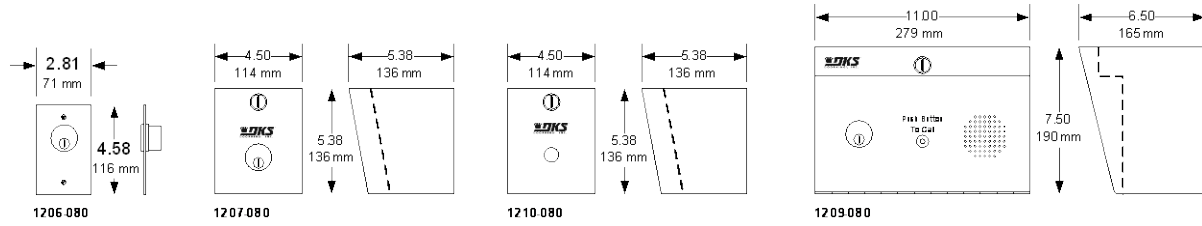
8066-082 1 Button w/AWID Tag	
10-30	51.82
40-100	49.82
110+	45.82
8067-082 2 Button w/AWID Tag	
10-30	54.04
40-100	52.04
110+	48.04
8068-082 3 Button w/AWID Tag	
10-30	56.24
40-100	54.24
110+	50.24

8066-085 1 Button w/DK Prox Tag	
10-30	51.82
40-100	49.82
110+	45.82
8067-085 2 Button w/DK Prox Tag	
10-30	54.04
40-100	52.04
110+	48.04
8068-085 3 Button w/DK Prox Tag	
10-30	56.24
40-100	54.24
110+	50.24

8066-083 1 Button w/HID Tag	
10-30	51.82
40-100	49.82
110+	45.82
8067-083 2 Button w/HID Tag	
10-30	54.04
40-100	52.04
110+	48.04
8068-083 3 Button w/HID Tag	
10-30	56.24
40-100	54.24
110+	50.24

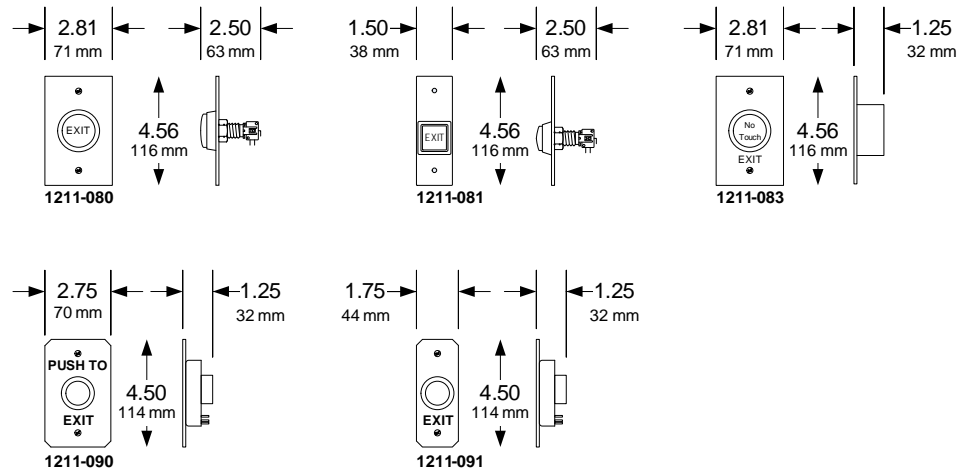
MicroClik Visor Clips (Gray)	
8066-075	
1-30	4.16
31-100	3.66
101+	3.16

Key Switches



Mortise Key Cylinder		Ace Key Cylinder	
1206-080	104.30	1210-080	274.00
<ul style="list-style-type: none"> N.O. or N.C. operation. Mounts in single-gang electric box. Indoor use only. 		<ul style="list-style-type: none"> N.O. or N.C. operation. Surface mount non-lighted enclosure. Indoor or outdoor use. 	
1207-080	274.00		
<ul style="list-style-type: none"> N.O. or N.C. operation. Surface mount non-lighted enclosure. Indoor or outdoor use. 			
1209-080	466.00		
<ul style="list-style-type: none"> N.O. or N.C. operation. Surface mount lighted enclosure. Indoor or outdoor use. Intercom substation. 			

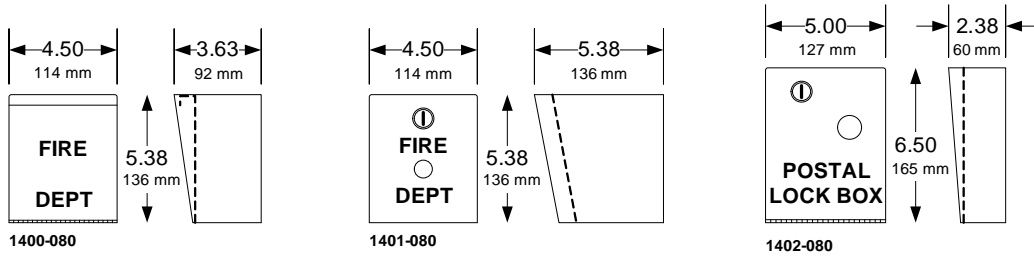
Push Buttons



Push Button Switch	
1211-080.....	65.76
<ul style="list-style-type: none"> • Stainless steel faceplate. • Mounts in single-gang electric box. • Requires 12-VDC power to illuminate exit button. • Indoor use only. 	
1211-081.....	60.70
<ul style="list-style-type: none"> • Stainless steel faceplate. • Mullion mount. • Requires 12-VDC power to illuminate exit button. • Indoor use only. 	
1211-083.....	114.00
<ul style="list-style-type: none"> • No Touch exit button. • Stainless steel faceplate. • Mounts in single-gang electric box. • Requires 12-VDC power. • Indoor use only. 	

Piezoelectric Switch	
1211-090.....	378.00
<ul style="list-style-type: none"> • Vandal resistant stainless steel faceplate. • Selectable illumination status (red, green). • Mounts in single-gang electric box. • Requires 12-24 VDC power. 	
1211-091.....	390.00
<ul style="list-style-type: none"> • Vandal resistant stainless steel faceplate. • Selectable illumination status (red, green). • Mullion mount. • Requires 12-24 VDC power. 	

Lock Boxes



Fire Department Lock Box	
1400-080	128.00
<ul style="list-style-type: none"> • Accepts Fire Department padlock. • Surface or post mounted. • Painted bright red. • Constant contact switch when padlock is removed and the door is open. 	
1401-080	128.00
<ul style="list-style-type: none"> • Accepts Knox 3501 key switch. • Surface or post mounted. • Faceplate painted bright red. 	

Postal Service Lock Box	
1402-080	138.00
<ul style="list-style-type: none"> • Accepts standard postal key lock. • Surface or post mount. • Painted Postal blue. • Postal lock can be installed to either activate a door or gate, or simply open the postal box. 	

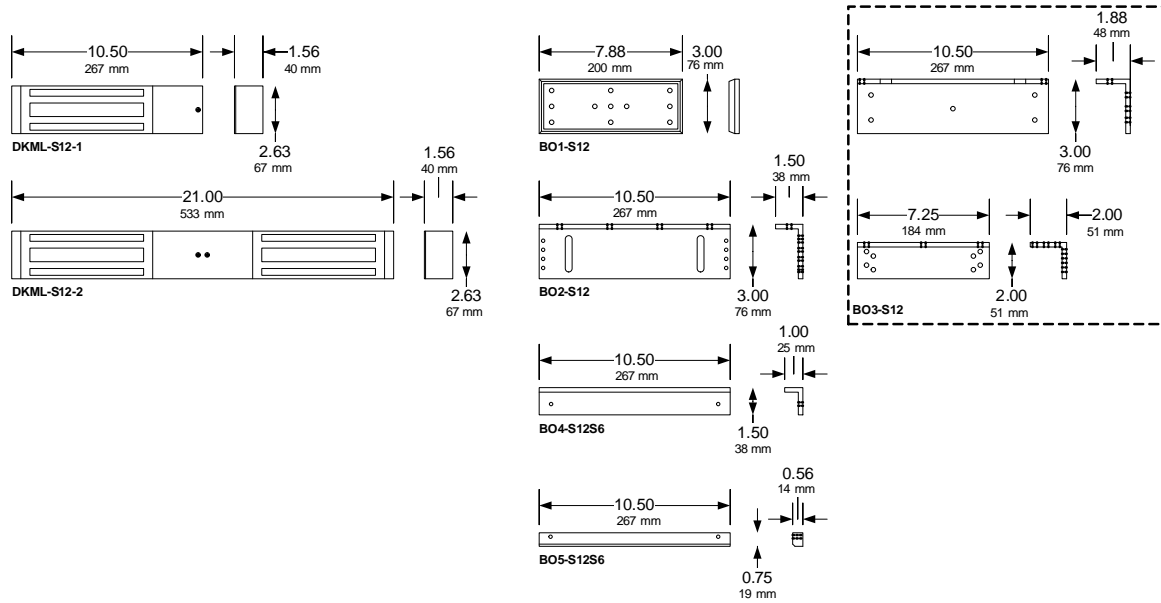
Replacement Components

Electronic Components

LED Light Kits	
1804-701.....	25.28
Use with 1209, 1504, 1506	
1804-705.....	25.28
Use with 1520 and lighted card readers	
1804-706.....	25.28
Use with 1503	

Magnetic Door Locks

1200 Lb (544 Kg) Door Locks



Single Door Locks Surface Mount

DKML-S12-1	392.00
DKML-S12-1L	486.00
DKML-S12-1LT	514.00

Dual Door Locks Surface Mount

DKML-S12-2	768.00
DKML-S12-2L	968.00
DKML-S12-2LT	1006.00

- Locks operate on 12 or 24 Volt DC power.
- "L" includes LED status indicator.
- "T" includes built-in time delay.

Mounting Brackets

BO1-S12 Armature Bracket	60.70
BO2-S12 L Bracket	60.70
BO4-S12S6 Angle Bracket	67.44
BO5-S12S6 Spacer Bar	54.56
BO3-S12 L & Z Bracket Kit	150.00

Back-up Power Supply / Charger

1215-130 12/24 Volt @ 1 Amp	302.00
1215-131 12/24 Volt @ 2.5 Amp	518.00
1215-132 12/24 Volt @ 3 Amp	644.00
1215-133 12/24 Volt @ 6 Amp	934.00

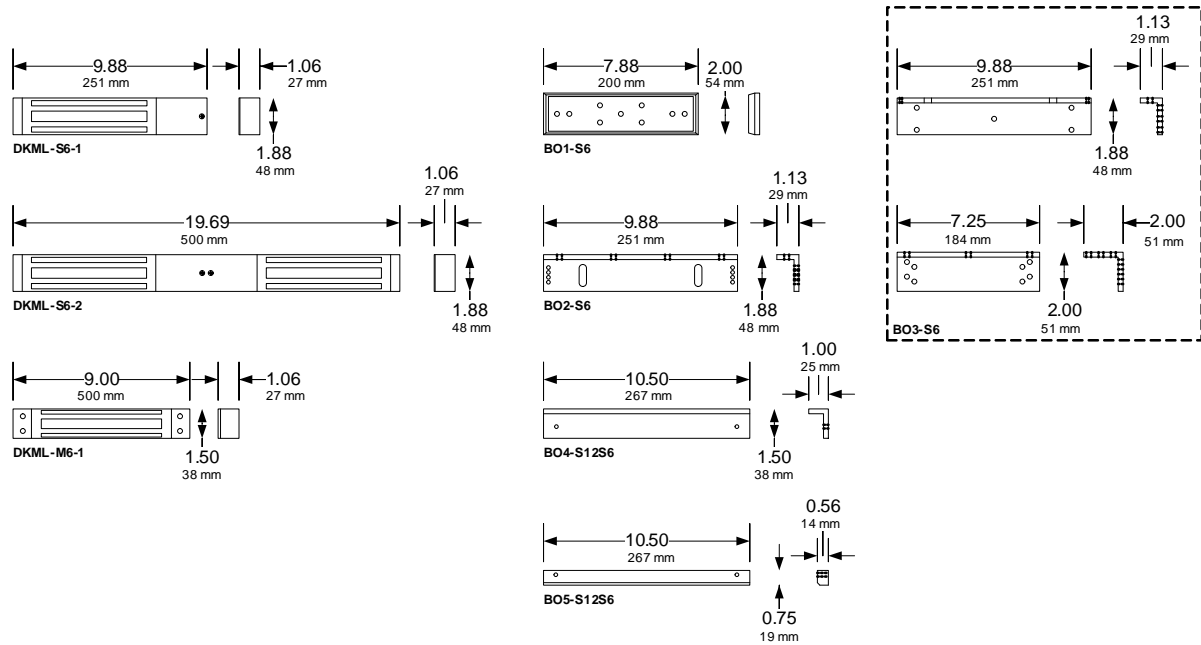
- Requires two (2) 12 Volt, 7 Ah SLA batteries (not included).

DC Lock Power Transformers

1812-018 12 Volt, 1000 mA	54.20
1812-136 24 Volt, 1000 mA	67.44

Magnetic Door Locks

600 Lb (272 Kg) Door Locks



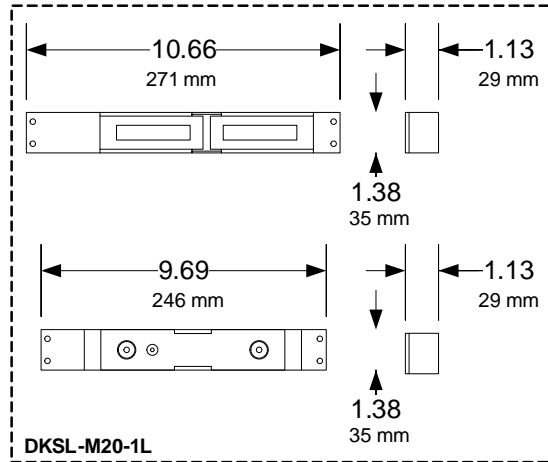
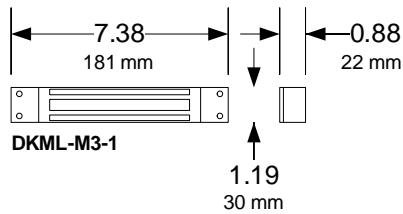
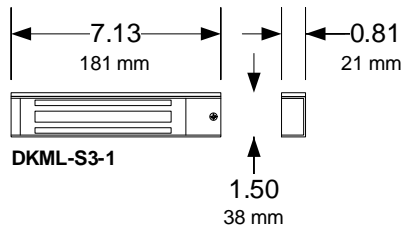
Single Door Locks Surface Mount	
DKML-S6-1	362.00
DKML-S6-1L	404.00
DKML-S6-1LT	446.00
Single Door Locks Mortise Mount	
DKML-M6-1	298.00
DKML-M6-1L	326.00
DKML-M6-1LT	354.00
Dual Door Locks Surface Mount	
DKML-S6-2	704.00
DKML-S6-2L	796.00
DKML-S6-2LT	862.00

- Locks operate on 12 or 24 Volt DC power.
- "L" includes LED status indicator.
- "T" includes built-in time delay.

Mounting Brackets	
BO1-S6 Armature Bracket	60.70
BO2-S6 L Bracket	60.70
BO4-S12S6 Angle Bracket	67.44
BO5-S12S6 Spacer Bar	54.56
BO3-S6 L & Z Bracket Kit	150.00
Back-up Power Supply / Charger	
1215-130 12/24 Volt @ 1 Amp	302.00
1215-131 12/24 Volt @ 2.5 Amp	518.00
1215-132 12/24 Volt @ 3 Amp	644.00
1215-133 12/24 Volt @ 6 Amp	934.00
<ul style="list-style-type: none"> Requires two (2) 12 Volt, 7 Ah SLA batteries (not included). 	
DC Lock Power Transformers	
1812-018 12 Volt, 1000 mA	54.20
1812-136 24 Volt, 1000 mA	67.44

Magnetic Door Locks

300 Lb (136 Kg) Mini-locks and 2000 Lb (907 Kg) Shear Lock



300 Lb. Door Locks

DKML-S3-1 Surface Mount	300.00
DKML-M3-1 Mortise Mount	300.00

2000 Lb. Shear Lock Surface Mount

DKSL-M20-1L	576.00
-------------------	--------

- Locks operate on 12 or 24 Volt DC power.
- Shear lock includes LED status indicator and built-in signal relay.

Back-up Power Supply / Charger

1215-130 12/24 Volt @ 1 Amp.....	302.00
1215-131 12/24 Volt @ 2.5 Amp.....	518.00
1215-132 12/24 Volt @ 3 Amp.....	644.00
1215-133 12/24 Volt @ 6 Amp.....	934.00

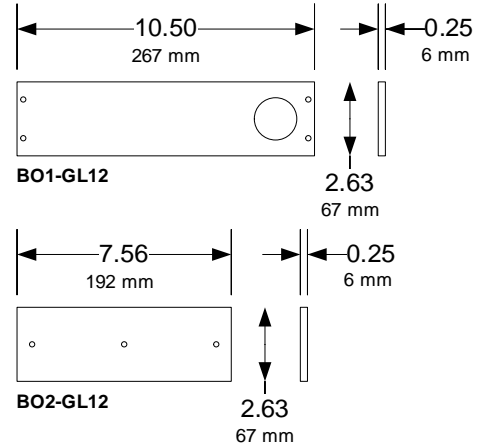
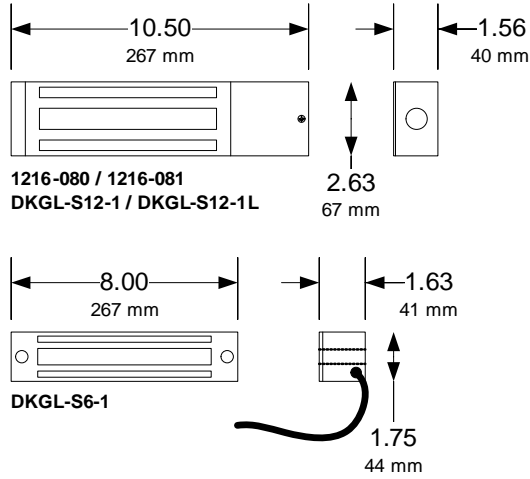
- Requires two (2) 12 Volt, 7 Ah SLA batteries (not included).

DC Lock Power Transformers

1812-018 12 Volt, 1000 mA.....	54.20
1812-136 24 Volt, 1000 mA.....	67.44

Magnetic Gate Locks

600 Lb (272 Kg) and 1200 Lb (544 Kg) Gate Locks

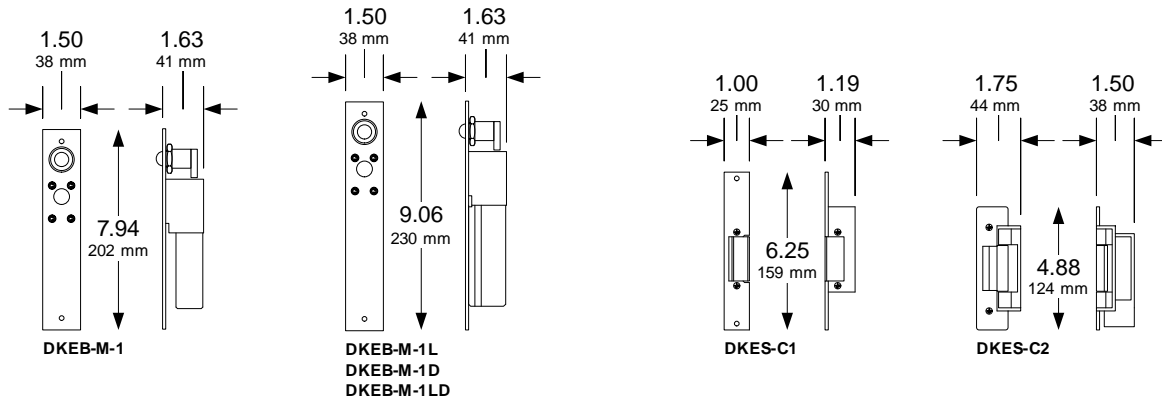


1200 Lb. Gate Lock Kits Surface Mount	
1216-080.....	498.00
1216-081.....	588.00
<ul style="list-style-type: none"> • 1216-081 has built-in signal relay. • Kits include predrilled and tapped mounting brackets, BO1-GL12 and BO2-GL12. 	
1200 Lb. Gate Locks Top, Bottom or Face Mount	
DKGL-S12-1.....	416.00
DKGL-S12-1L w/Signal Relay.....	510.00
600 Lb. Gate Lock Face Mount Only	
DKGL-S6-1 w/Signal Relay.....	386.00
<ul style="list-style-type: none"> • Gate locks operate on 12 or 24 Volt DC power. 	

Mounting Brackets	
BO1-GL12 Lock Bracket.....	84.28
BO2-GL12 Armature Bracket.....	72.24
DC Lock Power Transformers - Regulated	
1812-018 12 Volt, 1000 mA.....	54.20
1812-136 24 Volt, 1000 mA.....	67.44

Electric Door Locks

Dead-bolts and Strikes



Dead-bolt Door Locks

DKEB-M-1	424.00
DKEB-M-1L	446.00
DKEB-M-1D	446.00
DKEB-M-1LD	466.00

- "L" includes sensor to indicate locked or unlocked condition.
- "D" includes door sensor to indicate an open or closed door.

Electric Strikes 11/32 inch (8.74 mm) keeper

DKES-C1-1FX	73.32
DKES-C1-1FS	75.86

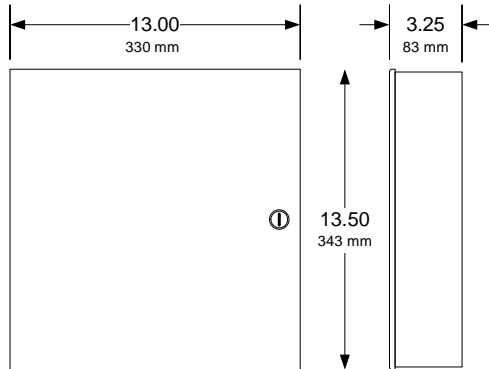
Electric Strikes 20/32 inch (15.88 mm) keeper

DKES-C2-1FX	91.02
DKES-C2-1FS	94.82

- FX = Fail Secure
- FS = Fail Safe

Magnetic Door Lock Power Supply

Power Supply / Battery Charger



Magnetic Door Lock Power Supplies (Output)¹	
1215-130 12/24 Volt @ 1 Amp	302.00
1215-131 12/24 Volt @ 2.5 Amp	518.00
1215-132 12/24 Volt @ 3 Amp	644.00
1215-133 12/24 Volt @ 6 Amp	934.00

- 115 VAC Input power.
- Requires two (2) 12 Volt, 7 Ah SLA batteries (not included).

Agency Listings				
Agency	1215-130	1215-131	1215-132	1215-133
UL 294 Access Control Systems	X	X	X	X
CSA C22.2 No. 205-M1983	X	X	X	X
MEA NYC Dept. of Building Safety	X	X	X	X
NFPA 101 Life Safety	X			
UL 603 Burglar Alarm Systems		X	X	
UL 1069 Hospital Signaling / Nurse Call Equipment		X	X	
UL 1481 Power Supply for Fire Signaling Systems		X	X	X
CSFM California State Fire Marshall Approved		X	X	X
NFPA 72		X	X	X
FM Approved			X	X

Blank Page