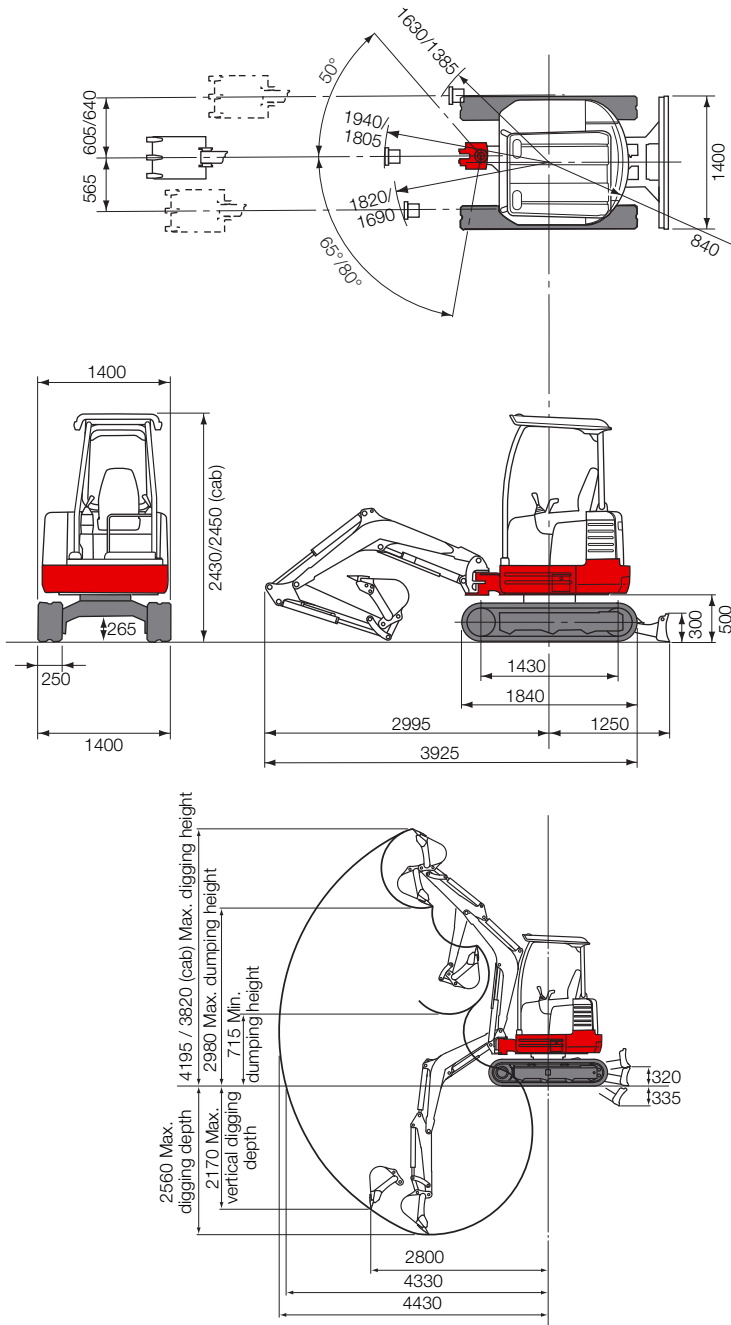


TB23R



COMPACT  
SHORT TAIL SWING  
EXCAVATOR

**TAKEUCHI**  
Japanese for reliability



## TB23R

Standard UK Specification - Long Dipper/  
Rubber Tracks

Engine	
Make	Yanmar
Model	3TNV76
Rated Output (kW)/RPM	14.4/2300
Maximum Torque (Nm)	62.5-68.1
Cylinders	3
Displacement (cc)	1115
Electrical System	12volt

Dimensions & Weight	
Operating Weight inclusive of bucket and fuel: Cab/Canopy (kg)	2640/2480
Overall Length (mm)	3925
Width (mm)	1400
Height Cab/Canopy (mm)	2450/2430
Ground Clearance (mm)	265
Min. Front Swing Radius Cab/Canopy (mm)	1385
Left Boom swing angle	65°
Right Boom swing angle	50°
Tail Swing Radius (mm)	820
Dozer Blade (W x H) (mm)	1400x300
Blade Range Up/Down	320/335

Operating Information	
Max Digging Depth (mm)	2560
Max Dump Height Cab/Canopy (mm)	2640/2980
Max Reach at Ground Level (mm)	4330
Max Vertical Digging Depth (mm)	2170
Max Bucket Digging Force (kN)	19
Max Arm Digging Force (kN)	11.9

Hydraulic System	
Set Pressure (bar)	210
Pump Type	Variable (P1+P2) + Gear(P3+P4)
Hydraulic Flow (l/min)	23x2+14.7+9.4
Hydraulic Flow Aux Port (l/min)	40

Swing System	
Boom Swing Angle (R/L)	50°/65° Cab 50°/80° Canopy
Slew Speed (rpm)	9.6
Slew Motor	Fixed Displacement piston
Slew Brake	Disc

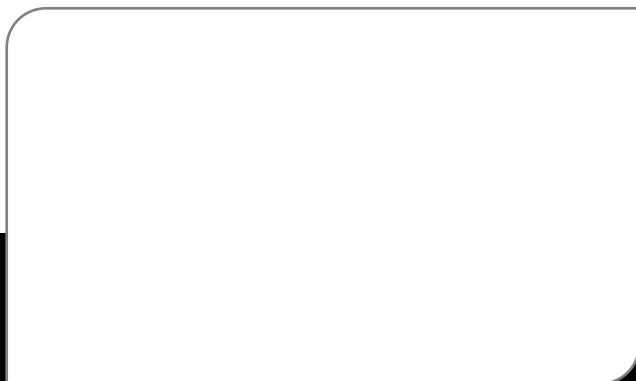
Undercarriage	
Traction Motor	Variable displacement piston
Traction Brake	Disc
Track Width (mm)	250
Ground Contact Length (mm)	1430
Ground Pressure (kpa)	33kpa
Travel Speed (k/ph)	2.4/4.2
Maximum Gradeability	30°

Capacities	
Hydraulic System (l)	38
Fuel Tank (l)	30
Engine Lubrication (l)	3.4
Cooling System (l)	3.5

All dimensions unless otherwise stated are in millimetres

**For more information locally**

call us direct, or contact:



Takeuchi Mfg (UK) Ltd, Unit E2B Kingsway Business Park,  
John Boyd Dunlop Drive, Rochdale, Lancashire OL16 4NG  
Tel: 01706 657 722 Fax: 01706 657 744

Southern Depot at 20 Colthrop Business Park  
Colthrop Lane, Thatcham, Newbury, Berks RG19 4NB  
Tel: 01635 877 196 Fax: 01635 877 195

[www.takeuchi-mfg.co.uk](http://www.takeuchi-mfg.co.uk) Email: [sales@takeuchi-mfg.co.uk](mailto:sales@takeuchi-mfg.co.uk)

# TAKEUCHI

Japanese for reliability

In accordance with our established policy of constant improvement, we reserve the right to amend these specifications at any time without notice. Photographs shown may feature non-standard equipment.