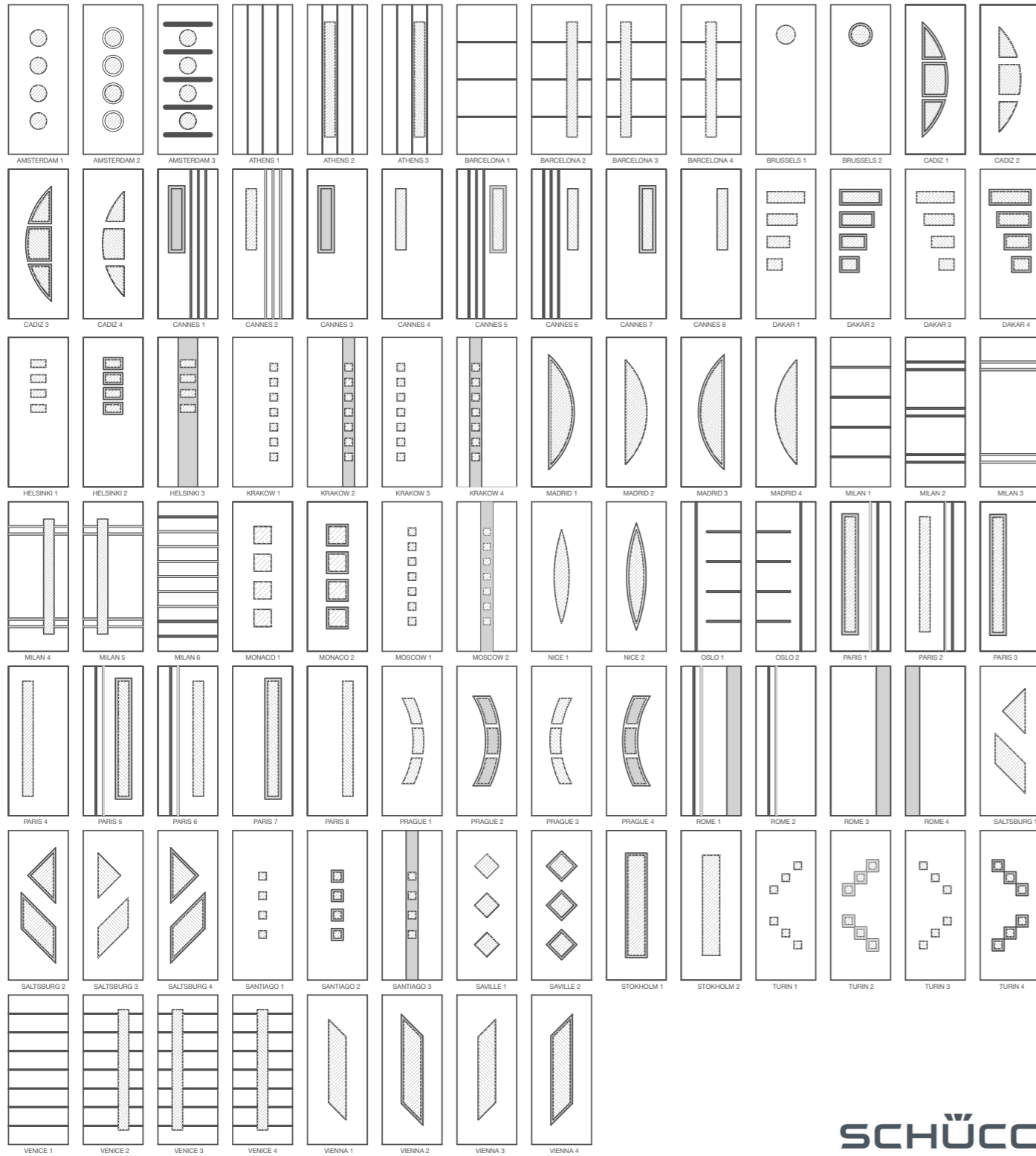


Door panel styles



SCHÜCO

DUTEMÄNN
01322 771213

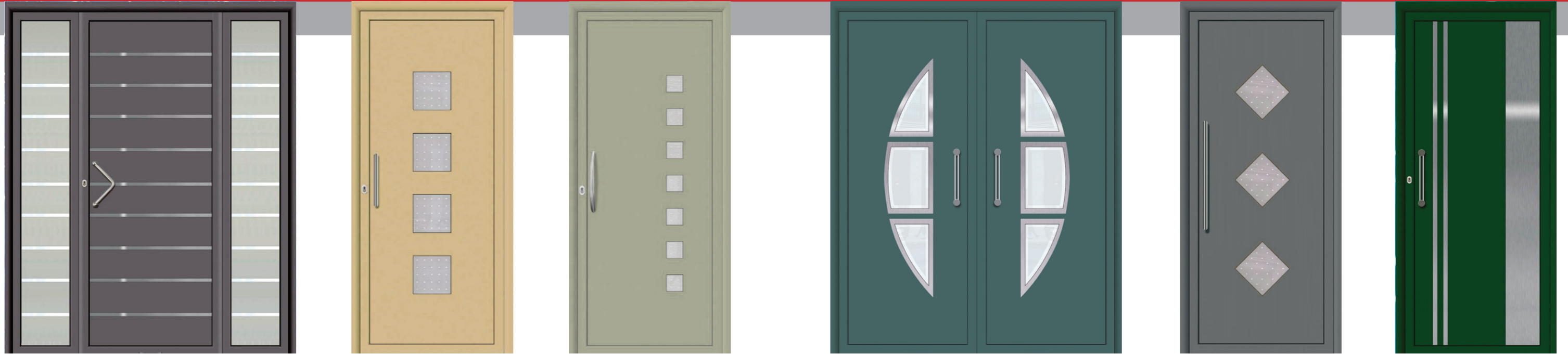
Dutemann UK Ltd.
Units 3 & 4 Invicta Park
Sandpit Road, Dartford, Kent DA1 5BU
www.dutemann.co.uk

DUTEMÄNN



HAUS DOOR

Contemporary aluminium
entrance doors



Dutemann Haus is a range of highly insulated contemporary aluminium entrance doors, either available in panel form, for fabricators to use within their own system, or as a complete door set made to your specification.

Style Choices

A choice of over 90 panel styles can be incorporated in almost any frame configuration. The doors can be finished in any RAL colour with a wide choice of ironmongery allowing you to specify a door that suits any property style.

Each bespoke panel can be manufactured to a maximum dimension of 950mm wide and 2150mm high (excluding frame) which are inserted into a made to measure frame in a single or double configuration.

Security

Security is always an important factor when purchasing a front door. Our product has been specifically designed with this in mind. We only fit German locking systems with an automatic locking function which is the preferred specification for Secured by Design. The lock is then fitted with a cylinder which has been awarded a BSI Kite Mark.

All glass within panels is triple glazed toughened safety glass. Side lights and top lights are prepared to accept 44 mm triple glazed units with beading on the inside so it cannot be removed from the outside.

Weather Resistance

The system is designed for use in all European climates. Our doors have been tested to and have passed latest test criteria. Our frames have multiple rubber weather seals ensuring resistance to even the harshest of weather.

Simple Installation

When you purchase a fully fabricated DutemannHaus door set, it is pre-hung and fully tested prior to delivery. The frame is fully assembled so it can be fitted easily into your prepared opening then sealed against the structure. The door leaf is then hung in place on our fully adjustable hinges to complete your installation.

Energy Efficient

The Dutemann Haus Door range provides exceptional thermal performance. All of our door systems are manufactured to exceed current U- value building regulations.

Our panels are 44mm thick constructed of two pressed panels of aluminium with a highly insulated inner core, this construction gives us a panel U value of just 0.71w/(m2k) for both glazed or solid panels.

When we combine our panel with the Schuco ADS 70 High Insulation system, creating our readymade Dutemann Haus Door, the whole unit U- value is as low as 1.2w/(m2k).

The combination of a thermal barrier, multiple weather seals and high performing glass maximises heat retention increasing fuel efficiency and helping to minimise fuel bills.

Finish

The doors can be finished in a choice of over 200 RAL colours. The powder coat is applied to the aluminum extrusions in a factory controlled environment ensuring a high quality finish. For coastal locations this can be upgraded to marine grade finish.

Disabled Access

The standard weathered threshold used on the Haus Door system is part M compliant for disabled access (providing the internal and external floor levels are constructed correctly, see recommended construction details).

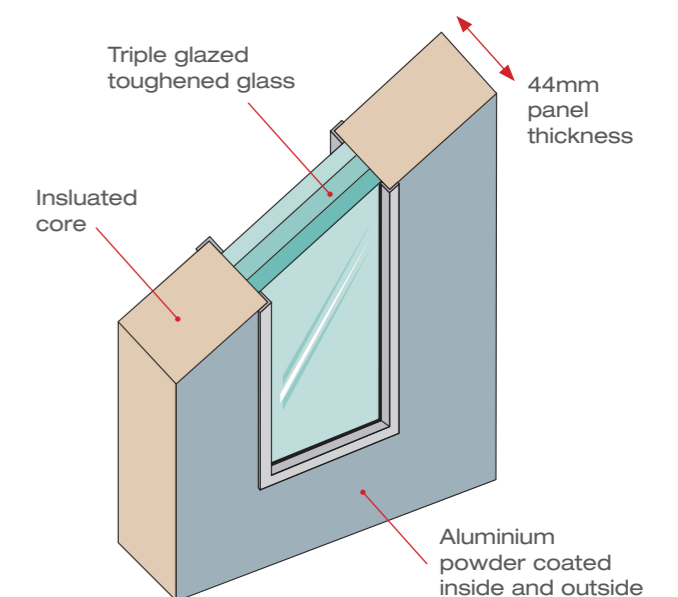
Best Value

We offer a top quality stylish product with high insulation values. Our doors will exceed your expectations in terms of mechanical and thermal performance.

We therefore believe that Dutemann Haus it is the best value contemporary aluminium door available on the market.

Panel Construction

Each composite panel is 44mm thick constructed from a pressed aluminium sheet on the outer faces with an injected thermally efficient core. Glazed panels are bonded into openings in the panel and held in place with an internal bezel. The result is a highly stable product unaffected by extreme weather conditions.



Call 01322 771213 for more information

or email sales@dutemann.co.uk