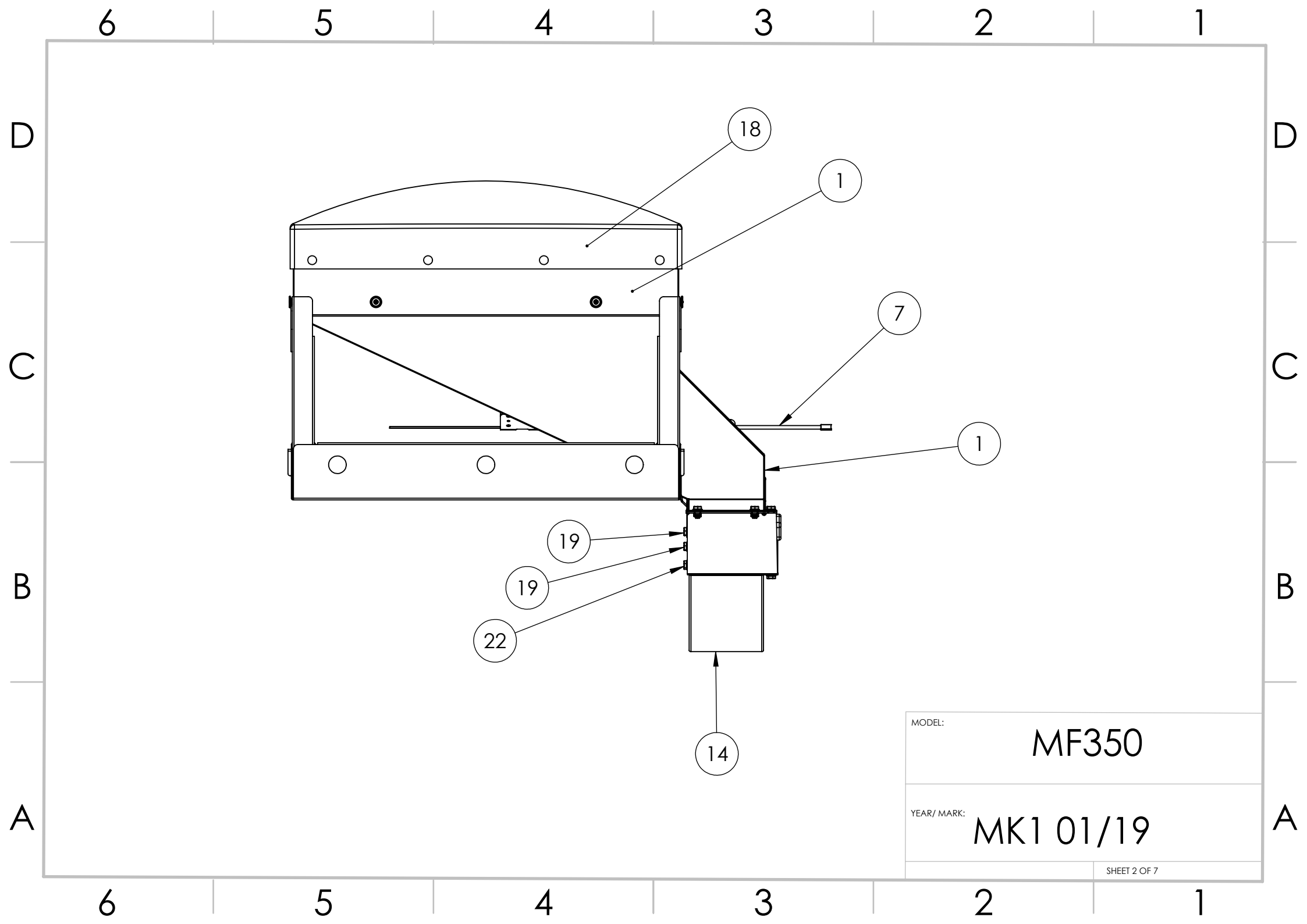


MODEL:	MF350
YEAR/ MARK:	MK1 01/19
SHEET 1 OF 7	

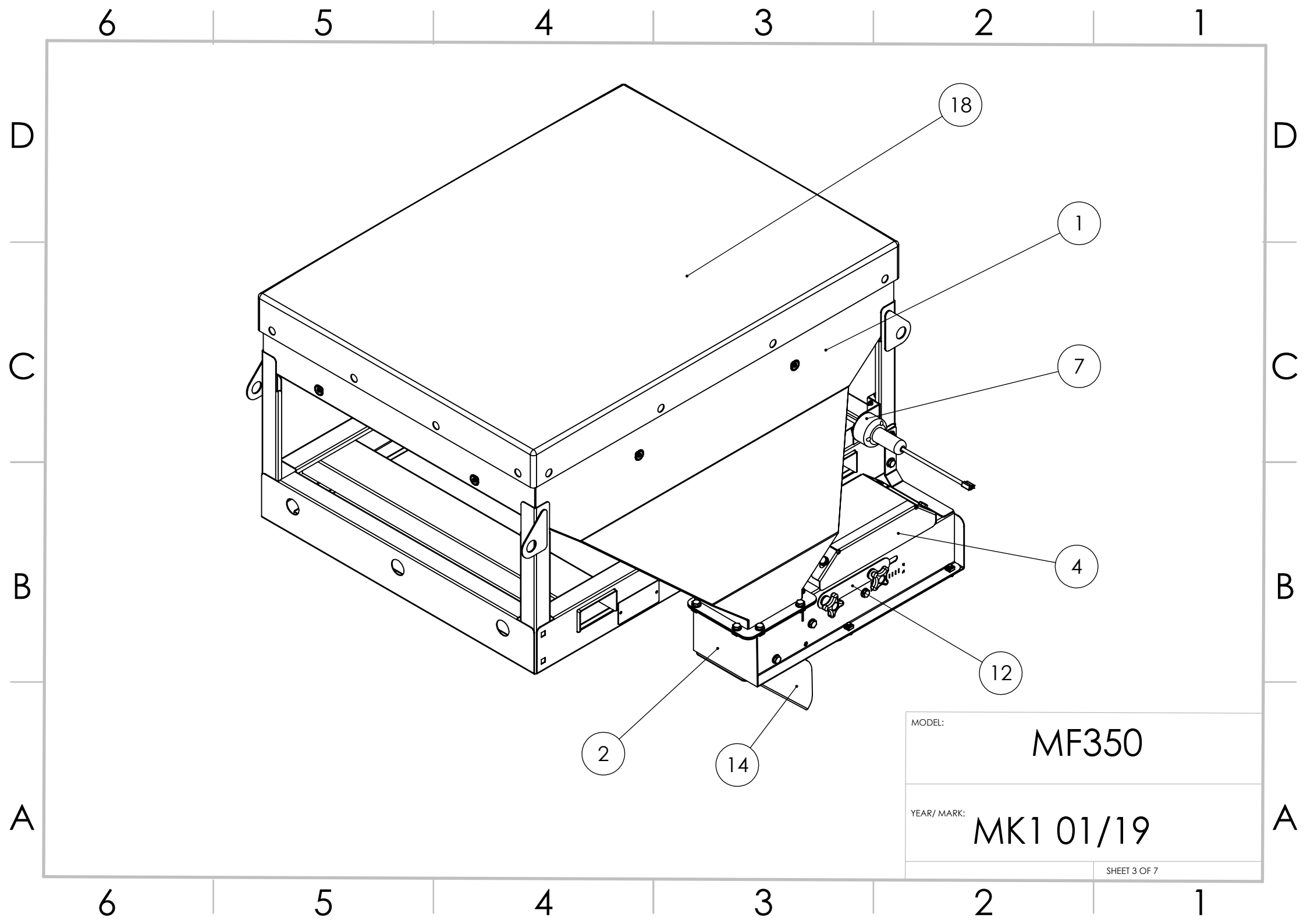


MODEL:

MF350

YEAR/ MARK:

MK1 01/19



MODEL:

MF350

YEAR/ MARK:

MK1 01/19

6 5 4 3 2 1

D

D

C

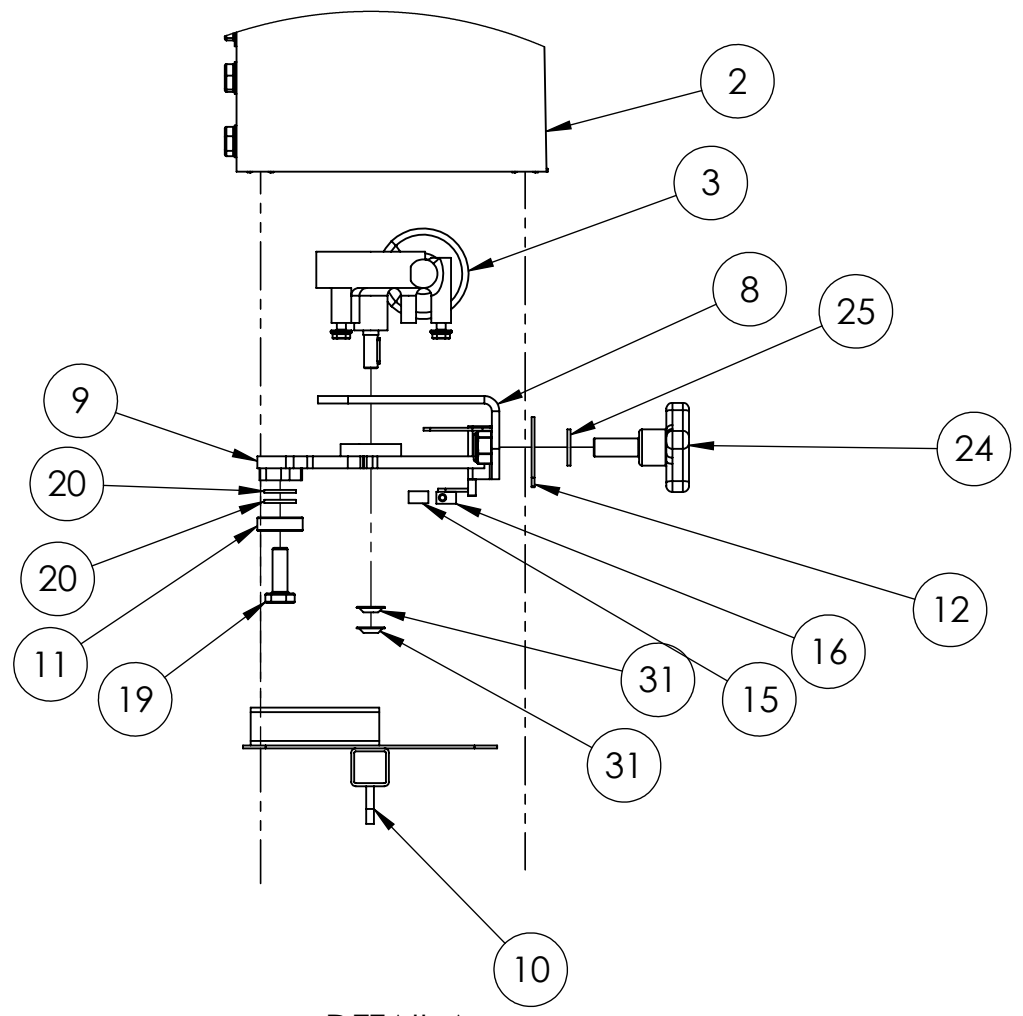
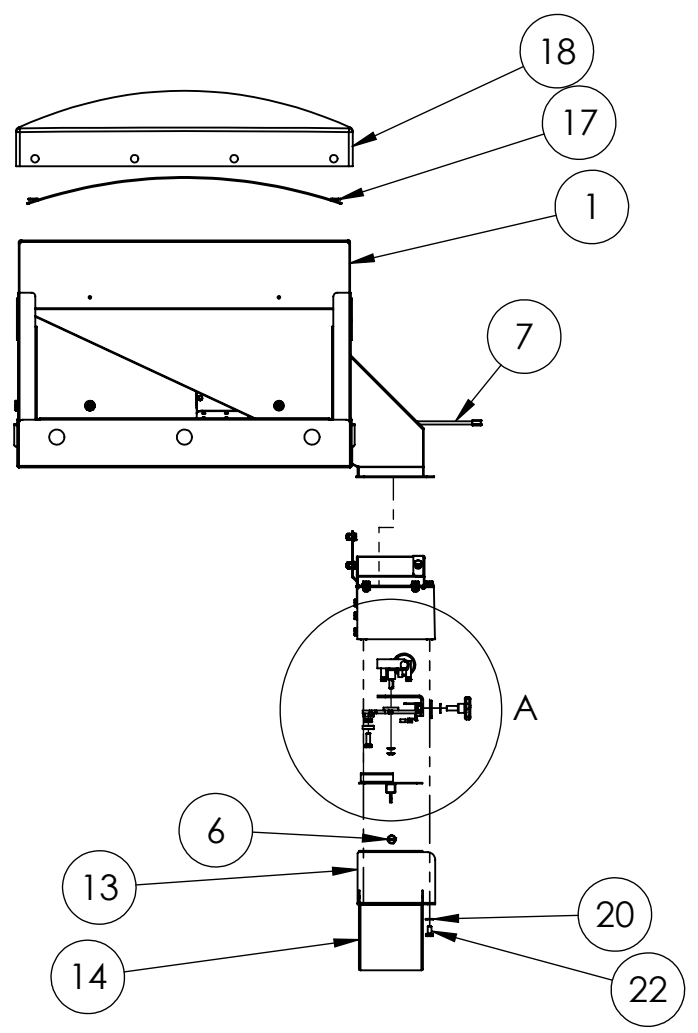
C

B

B

A

A



DETAIL A  
SCALE 1 : 5

MODEL:	MF350
YEAR/ MARK:	MK1 01/19
SHEET 4 OF 7	

6 5 4 3 2 1

6 5 4 3 2 1

D

D

C

C

B

B

A

A

ITEM NO.	PART NUMBER	Description	QTY
1	MF350-MHA	MAIN HOPPER ASSEMBLY	1
2	MF350-SPH	SLIDE PLATE HOUSING, MF350	1
3	11137632000	DOGA MOTOR 111.3763.20.00 25RPM 12V	1
4	MF350-MAP	MOTOR ACCESS PANEL ASSEMBLY	1
5	SERIALPLATE	SERIAL PLATE CHAPMAN	1
6	E7707650	SPRING, 140MM, 21.59MM DIA, 2.18MM WIRE, 0.67N/M	1
7	TF350-CA	CONTROL BOX ASSEMBLY, TF350, COMPLETE	1
8	TF350-MMP	MOTOR MOUNT PLATE ASSEMBLY	1
9	TF350-RPA	ROTATION PLATE ASSEMBLY, TF350	1
10	TF350-SPA	SLIDE PLATE ASSEMBLY, TF350	1
11	6200-2RSH	BEARING, BALL, 10MM ID 30MM OD	6
12	TF350-013	DROP INDICATOR PLATE REV B	1
13	MF350-SAC	SLIDE ACCESS COVER ASSEMBLY	1

MODEL:	MF350
YEAR/ MARK:	MK1 01/19
SHEET 5 OF 7	

6 5 4 3 2 1

6

5

4

3

2

1

ITEM NO.	PART NUMBER	Description	QTY
14	MF350-DCA	DICHARGE CHUTE ASSEMBLY	1
15	AM-8	MAGNET, AM/8	1
16	N-02-MIP	SENSOR, N/02/MIP, ARUN ELECTRONICS	1
17	MF350-CSA (BENT)	COVER SUPPORT ASSEMBLY, MF350	1
18	MF350-TARPAULIN	TARPAULIN, MF350, 1010MM X 1010MM X 100MM, ORANGE PANAMA PVC 900G WITH BLACK CORD AND 16 EYELETS	1
19	M10-30HB	M10 x 30 Hex Head Bolt	6
20	M10-000PW	M10 PLAIN WASHER FORM A	38
21	M10-000NN	M10 NYLOCK NUT	5
22	M10-20HB	M10 x 20 Hex Head Bolt	16
23	M10-000CN	M10 Cage Nut	16
24	F189-60 M12	HAND WHEEL, M12, 30MM THREAD	2
25	M12-000PW	M12 PLAIN WASHER FORM A	2
26	MP995B	TRAILER BUTTON CLEAT, BLACK PLASTIC	8
27	M5-20PP	M5 x 20 Pan Head Pozi Screw	8
28	M5-000PW	M5 Plain Washer Form A	8

MODEL:

MF350

YEAR/ MARK:

MK1 01/19

SHEET 6 OF 7

6

5

4

3

2

1

D

D

C

C

B

B

A

A

6

5

4

3

2

1

ITEM NO.	PART NUMBER	Description	QTY
29	M5-000NN	M5 Nylock Nut	8
30	498047	RUBBER GROMMET, PVC, 10MM ID, 16MM OD, 7MM THICK, 12MM HOLE DIA	2
31	BV6708	9mm Starlock Shaft Washer	2

D

D

C

C

B

B

A

A

6

5

4

3

2

1

MODEL:	MF350
YEAR/ MARK:	MK1 01/19
SHEET 7 OF 7	