

Ultimate Carport 3.8m

BCCPSW3820+G / BCCPSW3825+G

Assembly Instructions

IMPORTANT

Please read these instructions thoroughly before starting assembly.

Check all parts are present before assembly, call 020 3011 2040 for replacement parts.

These instructions should be kept in a safe place for future use.

Introduction

Thank you for your purchase of our Carport, we hope you enjoy.

Please read through these instructions and familiarise yourself with the construction process before you begin.

We operate a programme of continuous product improvement and we reserve the right to change the specification without prior notice, the latest model is supplied.

Although we have taken great care to ensure this kit is complete, occasionally we make mistakes. There are no robots involved in the production our products, just regular people! Please check that you have all of the parts listed before starting the assembly. If there are any damaged or missing parts, please call us on 020 3011 2040. We will express any missing parts to you as soon as possible.

Keep these instructions in a safe place for future use. They can be useful for identifying parts when ordering replacements should you suffer severe storm damage or vandalism.

We are confident you will get a long life from your product. We offer a 1 year manufacturers warranty, against manufacturing faults or defects. Sadly we are unable to cover against storm or weather damage. If you experience any difficulties with your product please call the number above for support.

Contents

Hints, Tips & Safety.....	3
Parts List.....	4
Frame Assembly.....	8
Roof Assembly.....	14
Gutter Assembly.....	18

Hints and Tips

- All frame parts are identified with the part number, all other parts can be identified by measuring and comparing to the list of materials in this manual.
- Lay out all your parts in organised groups before commencing assembly.

Caution

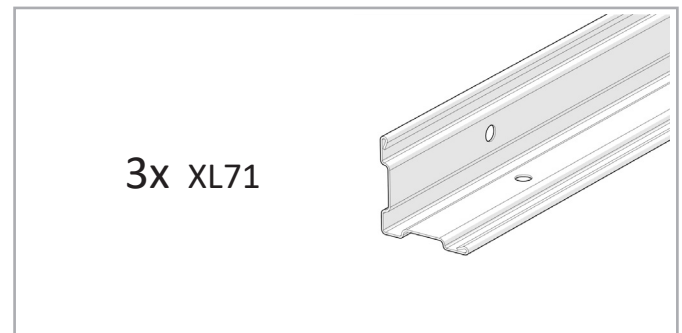
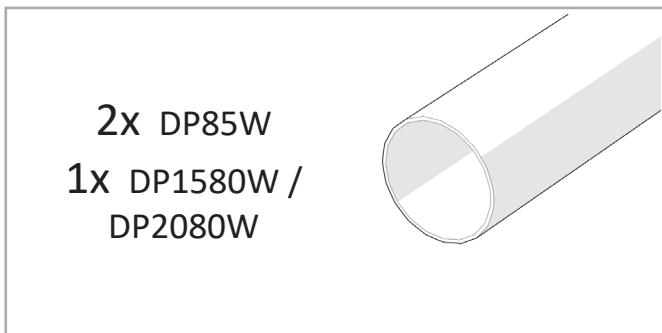
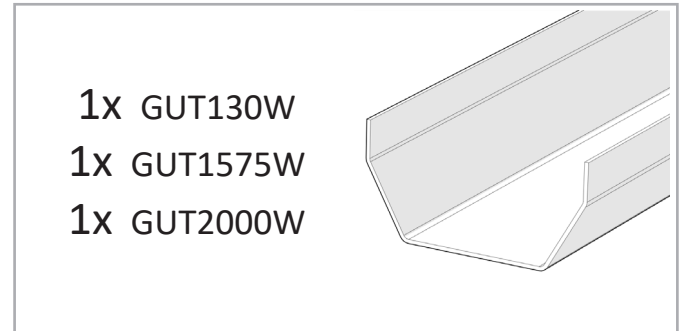
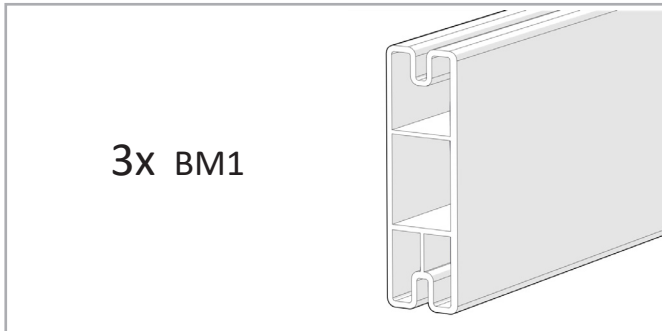
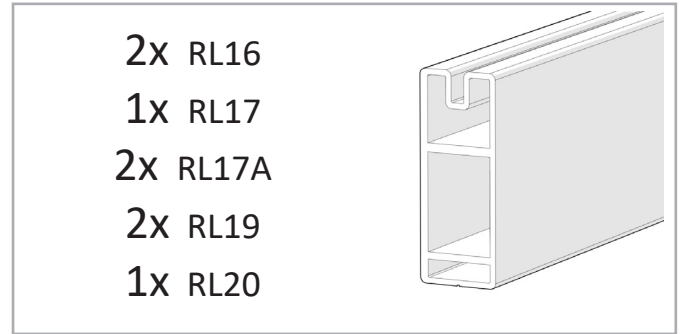
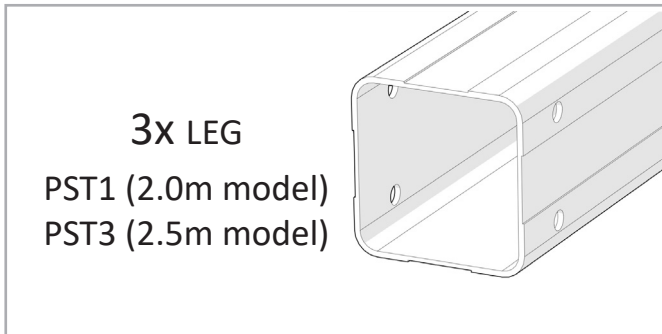
- Two people are required to safely assemble this product.
- Take care and wear safety gloves when working with metal parts as some have sharp edges.
- Keep children and pets away from the assembly area.
- Keep the area around your work place area clean and tidy.
- Take care when handling sharp tools and never carry sharp tools in your pocket.
- Never leave your product unattended or partially built, especially outside on a windy day.
- You are advised to take care and wear suitable personal protective equipment such as safety glasses & gloves where possible.

Tools Required

- Large flat-head screwdriver
- 8mm socket, 10mm socket
- Ø6mm masonry drill bit
- Spirit level
- Ladder
- Tape Measure

Maintenance

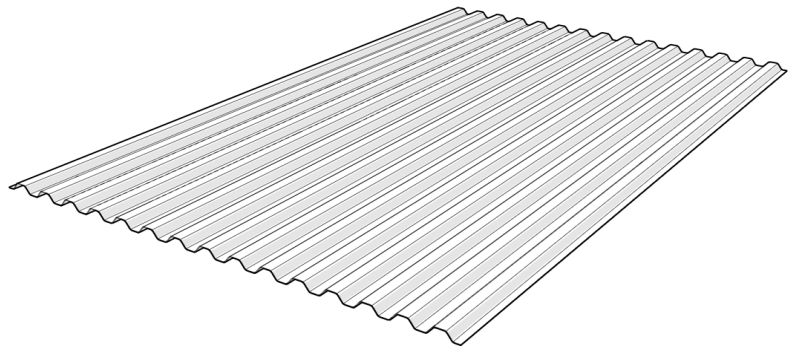
- It is advised that periodically or after storms or gales you check all nuts, bolts and screws, and tighten where necessary.
- Clean using warm soapy water and a non-abrasive cloth.

Framework

Roof Sheets

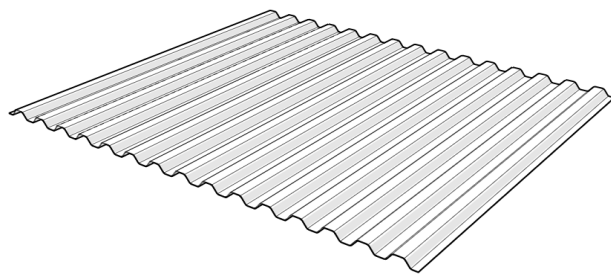
4x

SR6
(1140mm x 1830mm)

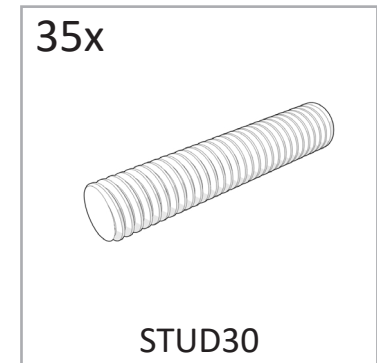
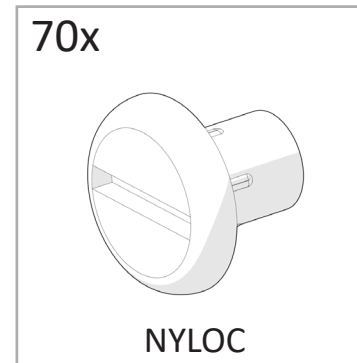
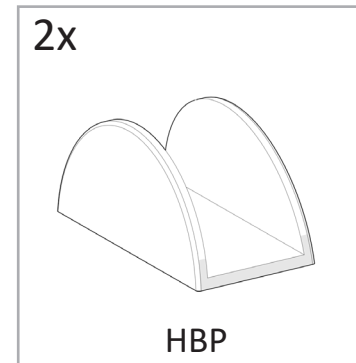
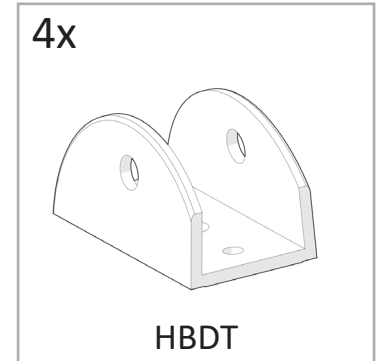
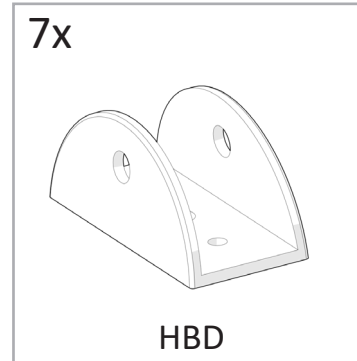
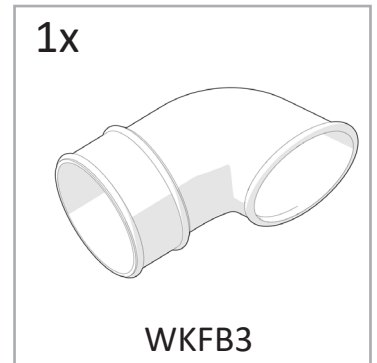
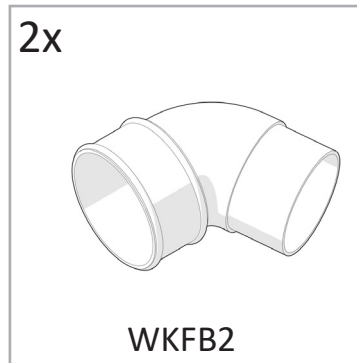
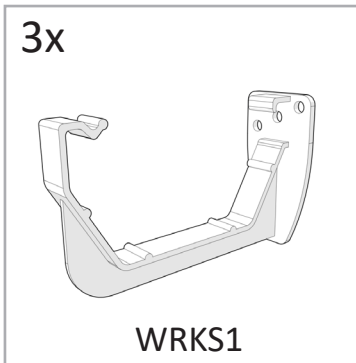
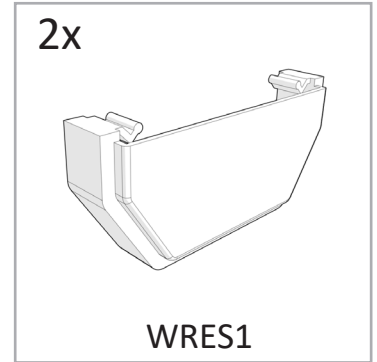
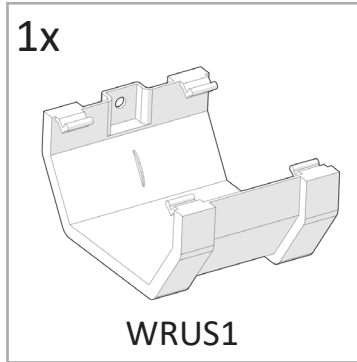
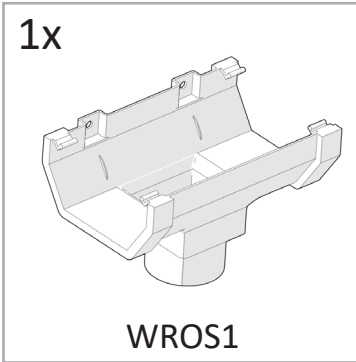


4x

SR7
(1140mm x 940mm)

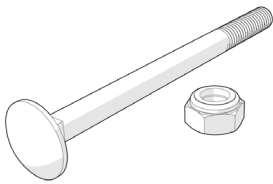


Hardware



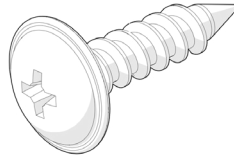
Hardware

6x



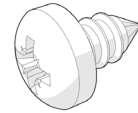
CBM6X80

47x



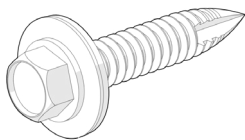
ST4X34

30x



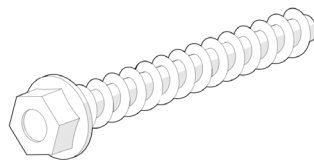
ST8X5

78x



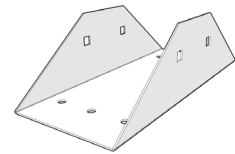
SC6X32

6x



MM7X60

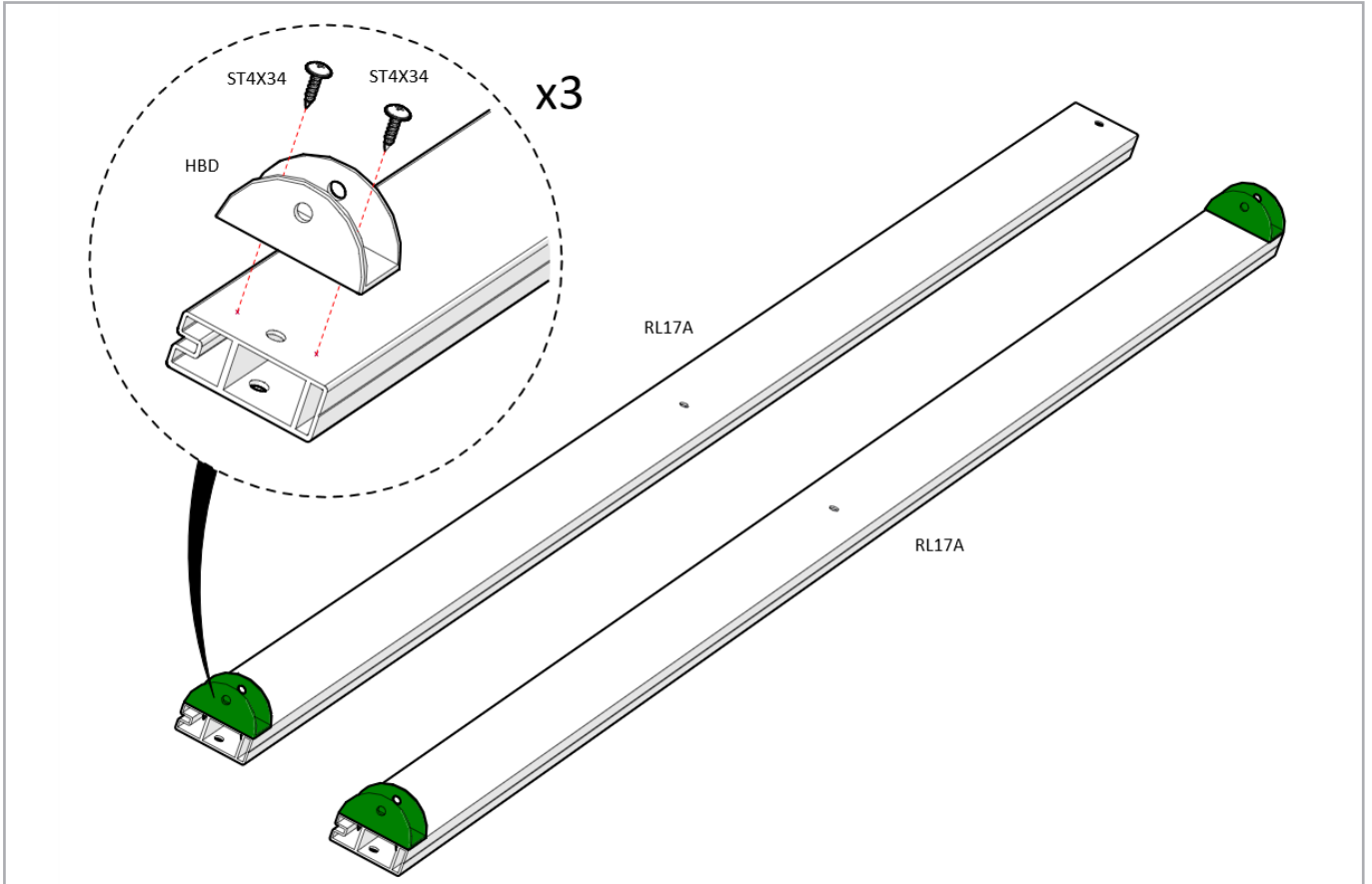
3x



CP6

1x 8.5mm Drill Bit

Step 1 - Fix HBD brackets to both RL17A, as per configuration below



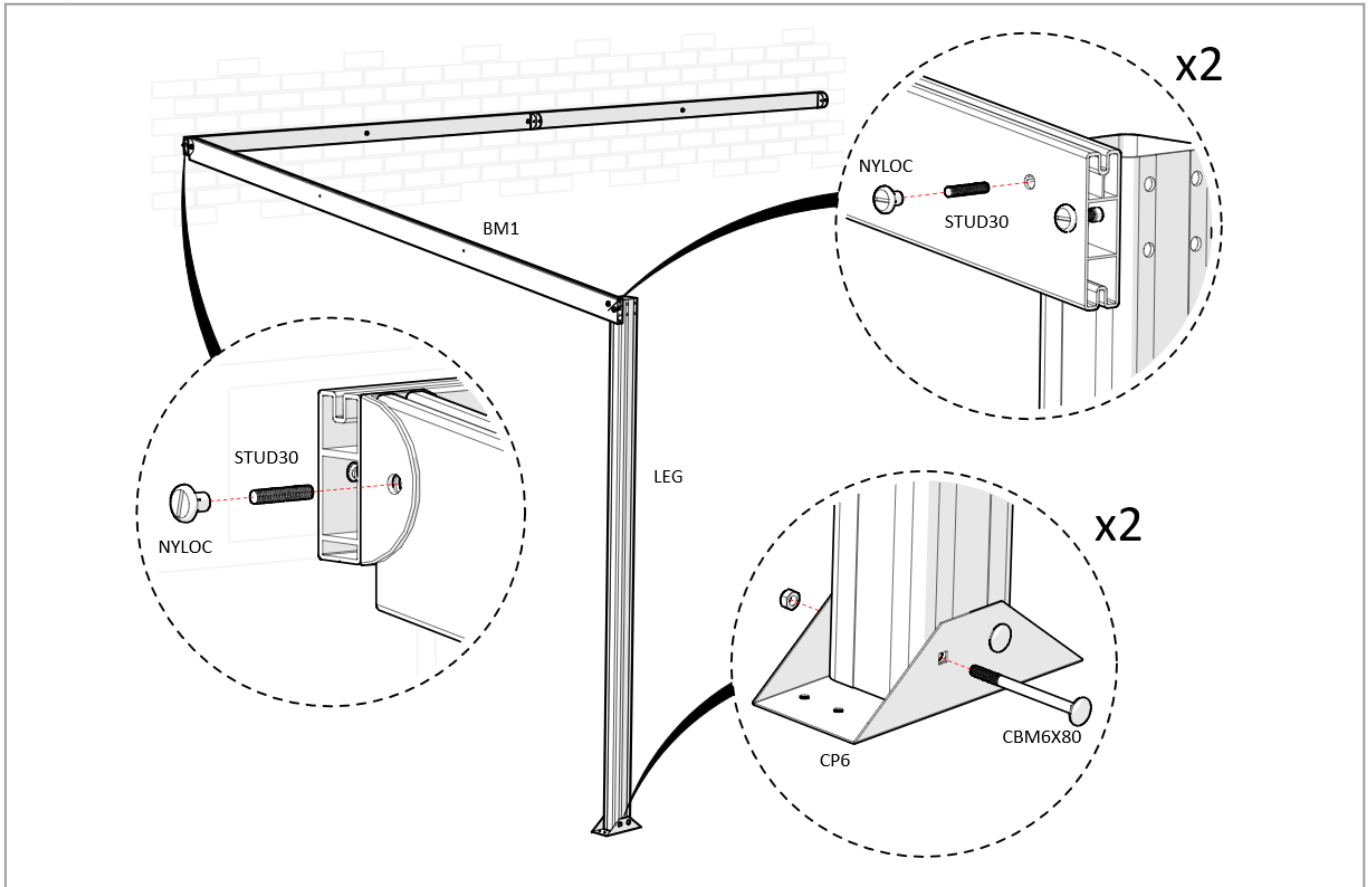
Step 2 - Fix both RL17A beams to wall

Offer both RL17A to the wall and measure from ground to underside of beam. Align horizontally using a spirit level and mark the holes. Drill 6 holes using Ø6mm masonry drill bit. Fix to wall using provided fixings as shown. (If fixing into timber, use appropriate fixings - not provided)

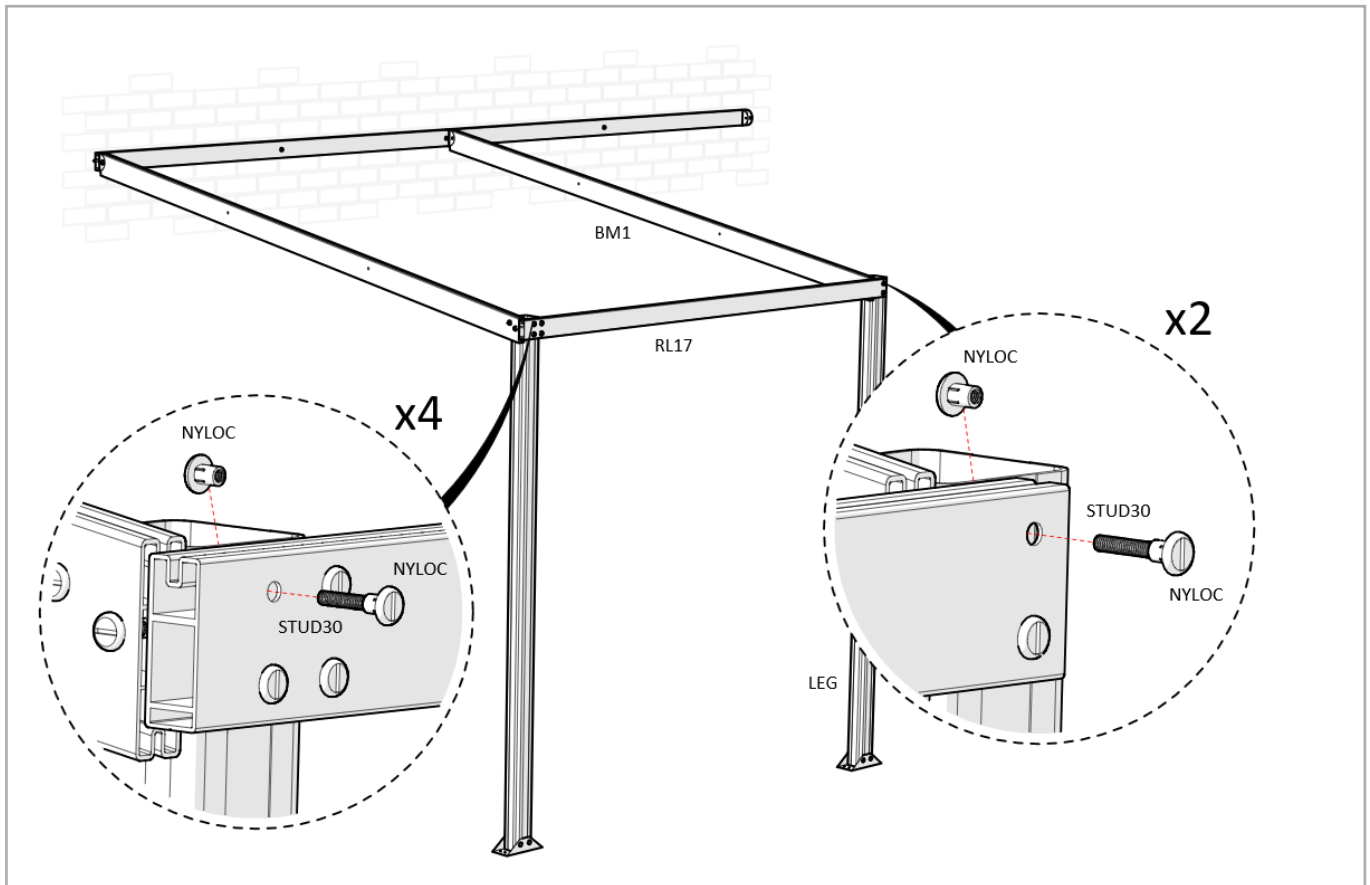
Model	MIN	OPTIMUM	MAX
2.0m Leg	2255	2330	2405
2.5m Leg	2755	2830	2905

Unless otherwise stated all dimensions in mm

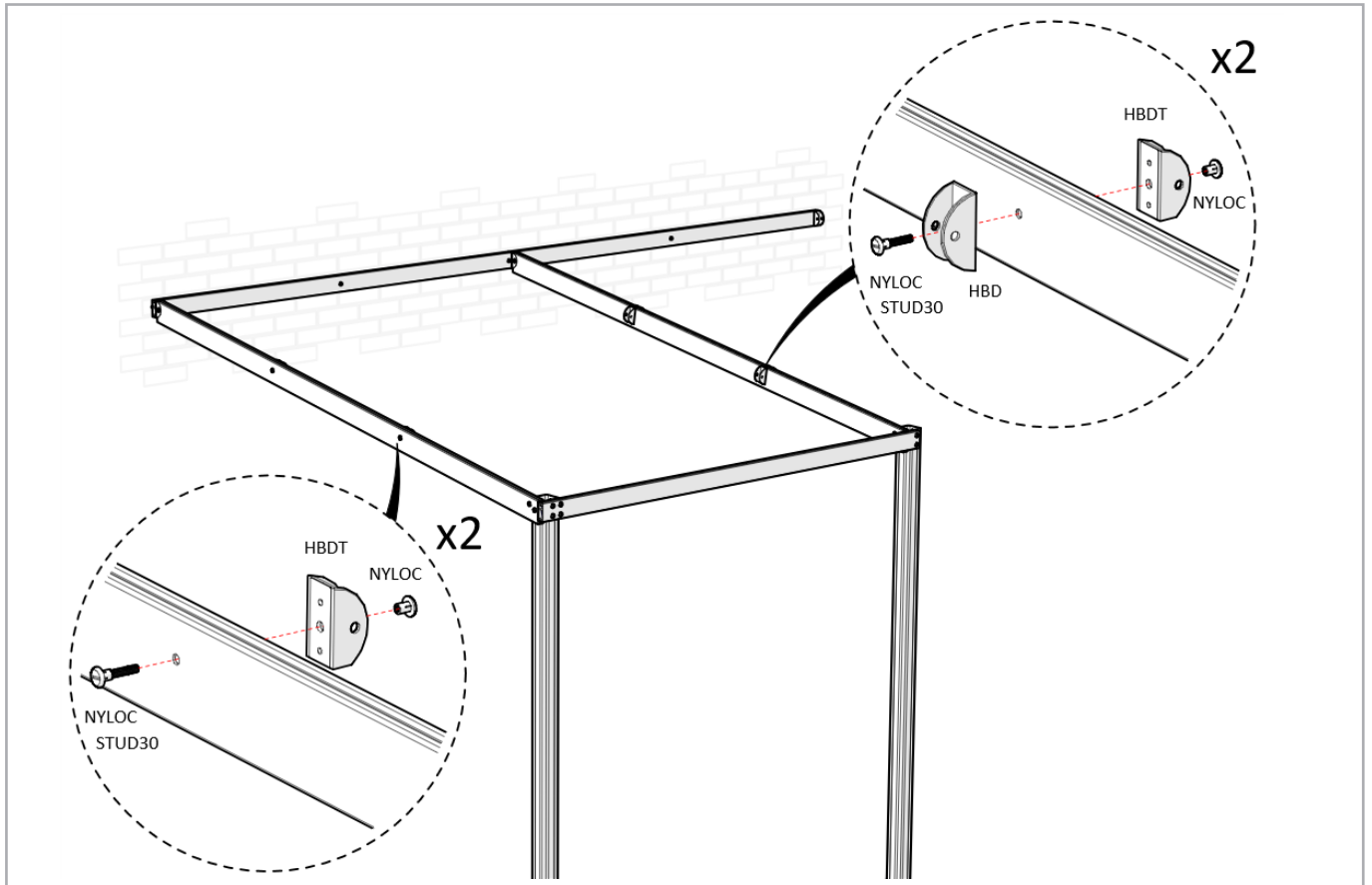
Step 3 - Add CP6 to the LEG then fix BM1 between the Leg and RL17A



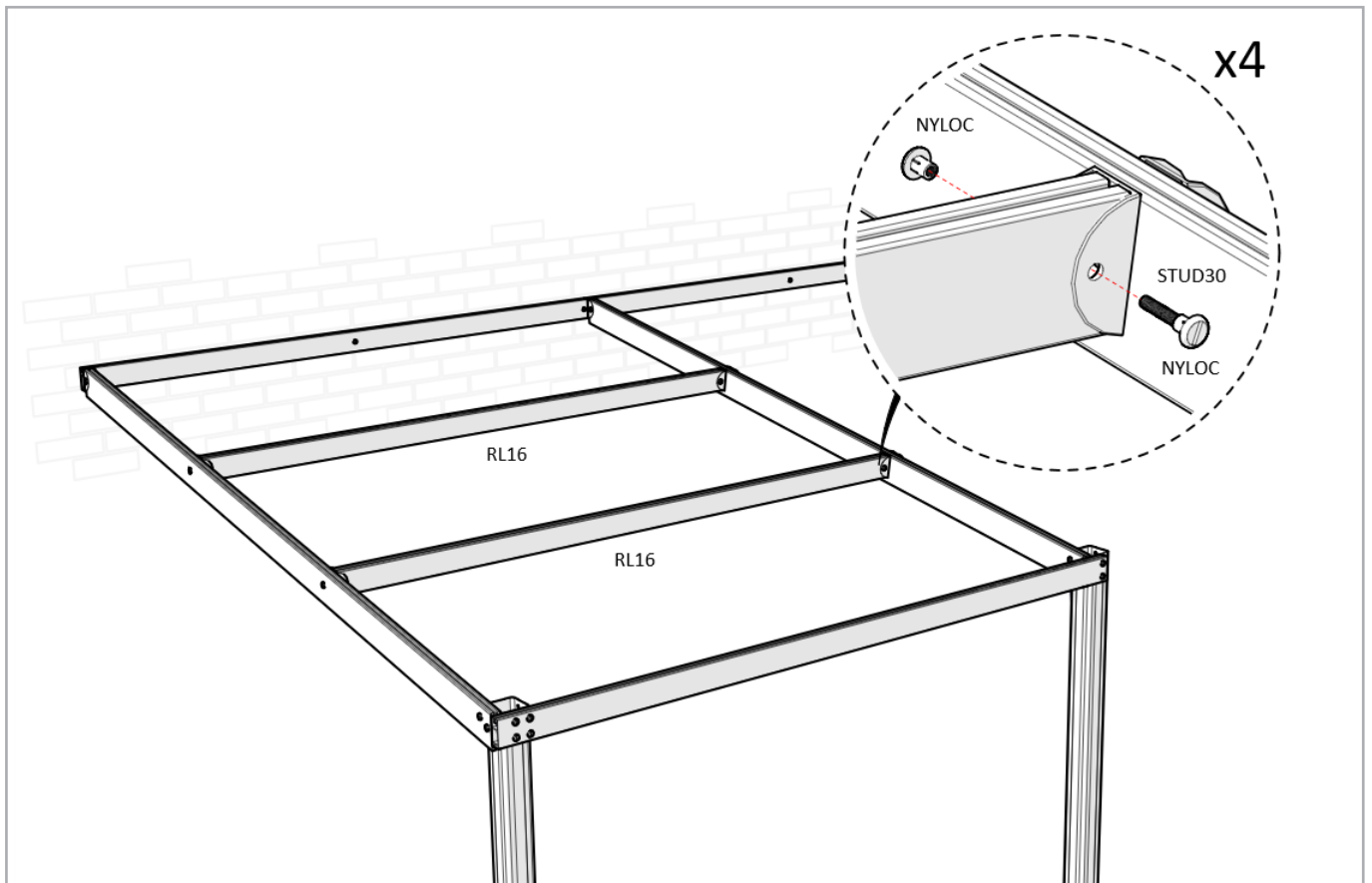
Step 4 - Repeat previous step for second Leg, then fix RL17 between both uprights



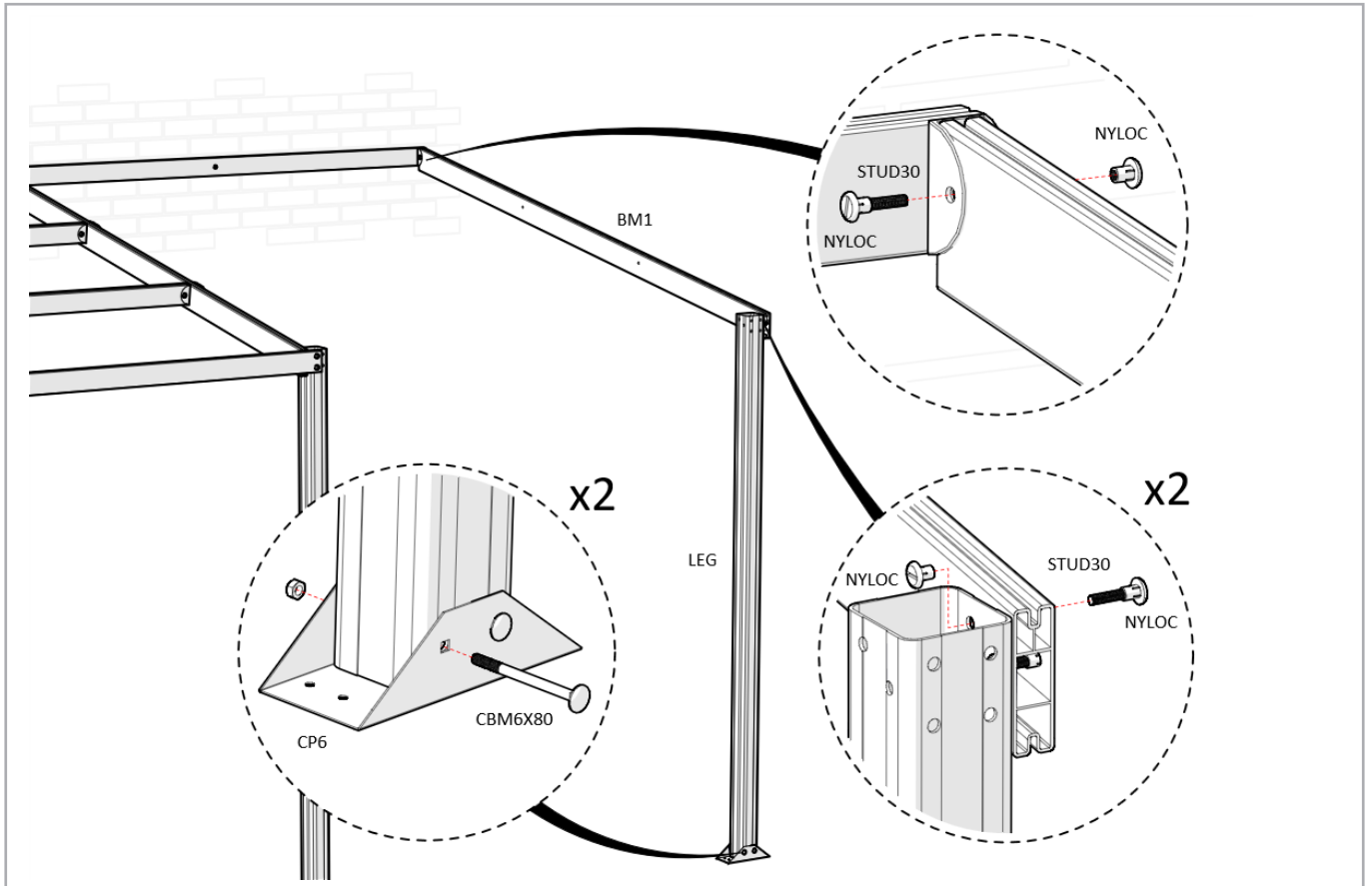
Step 5 - Fix HBD and HBDT brackets to BM1 beams, as configured below



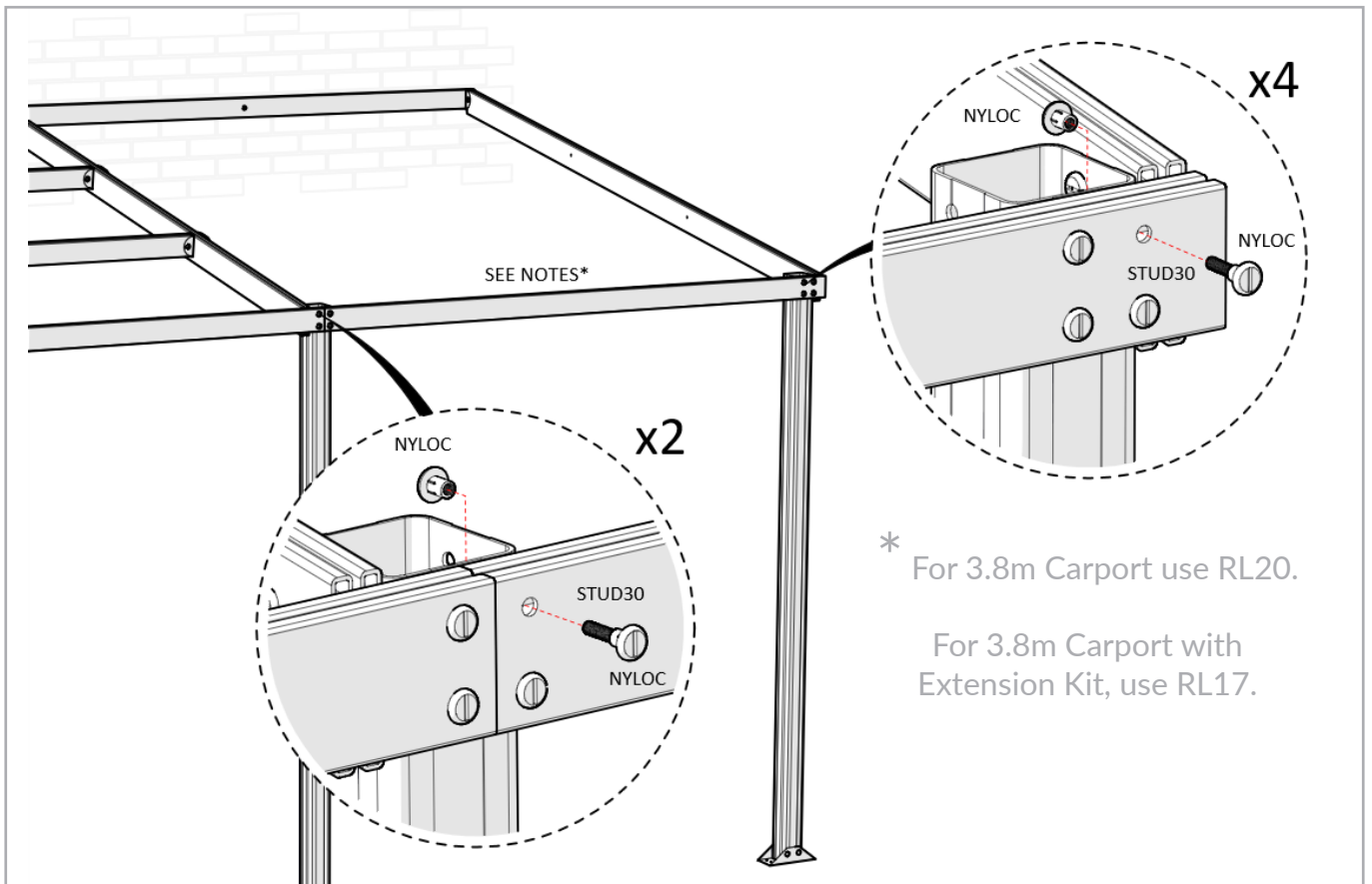
Step 6 - Attach 2x RL16



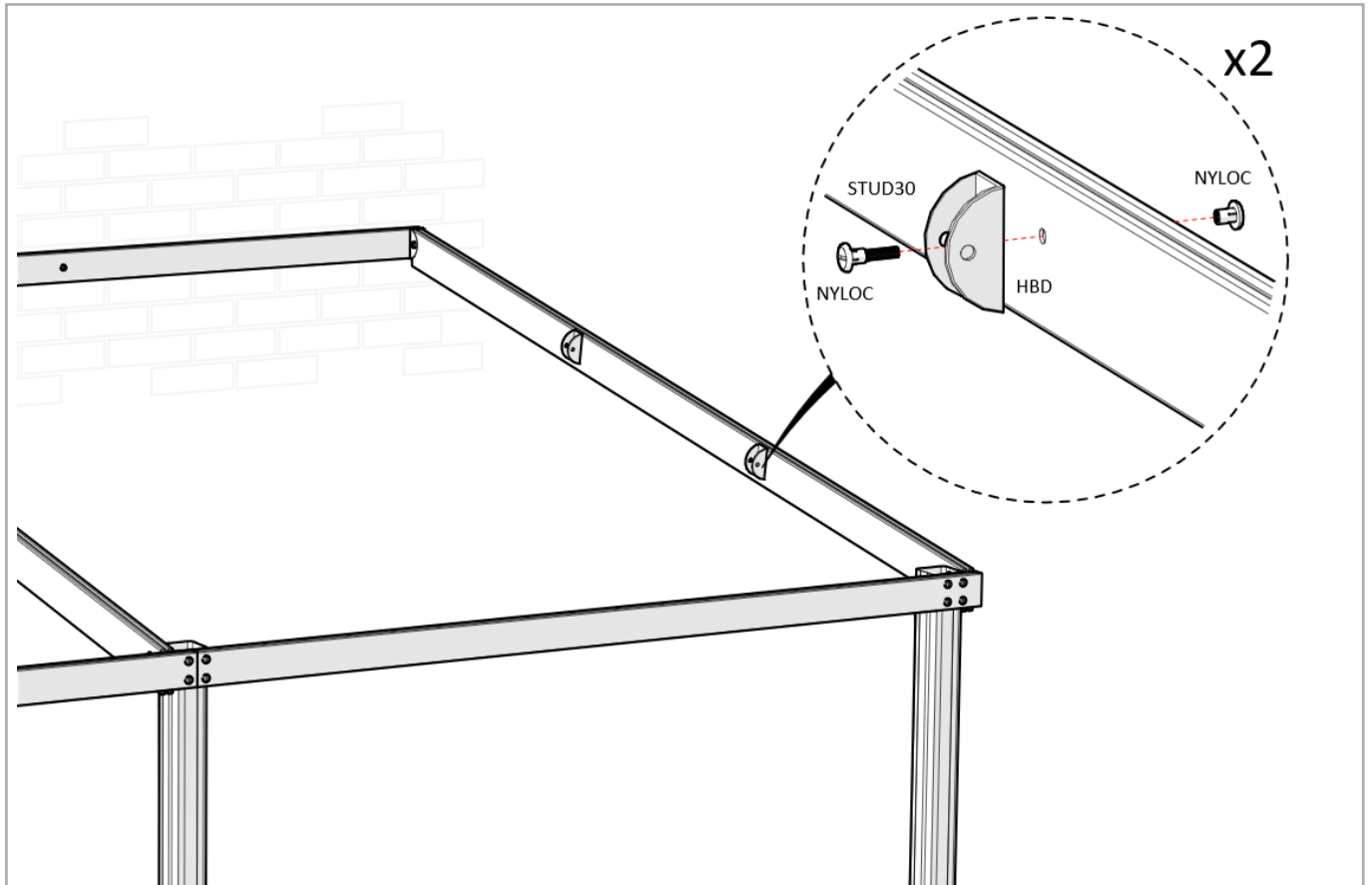
Step 7 - Assemble LEG and BM1 as shown, fix to RL17A



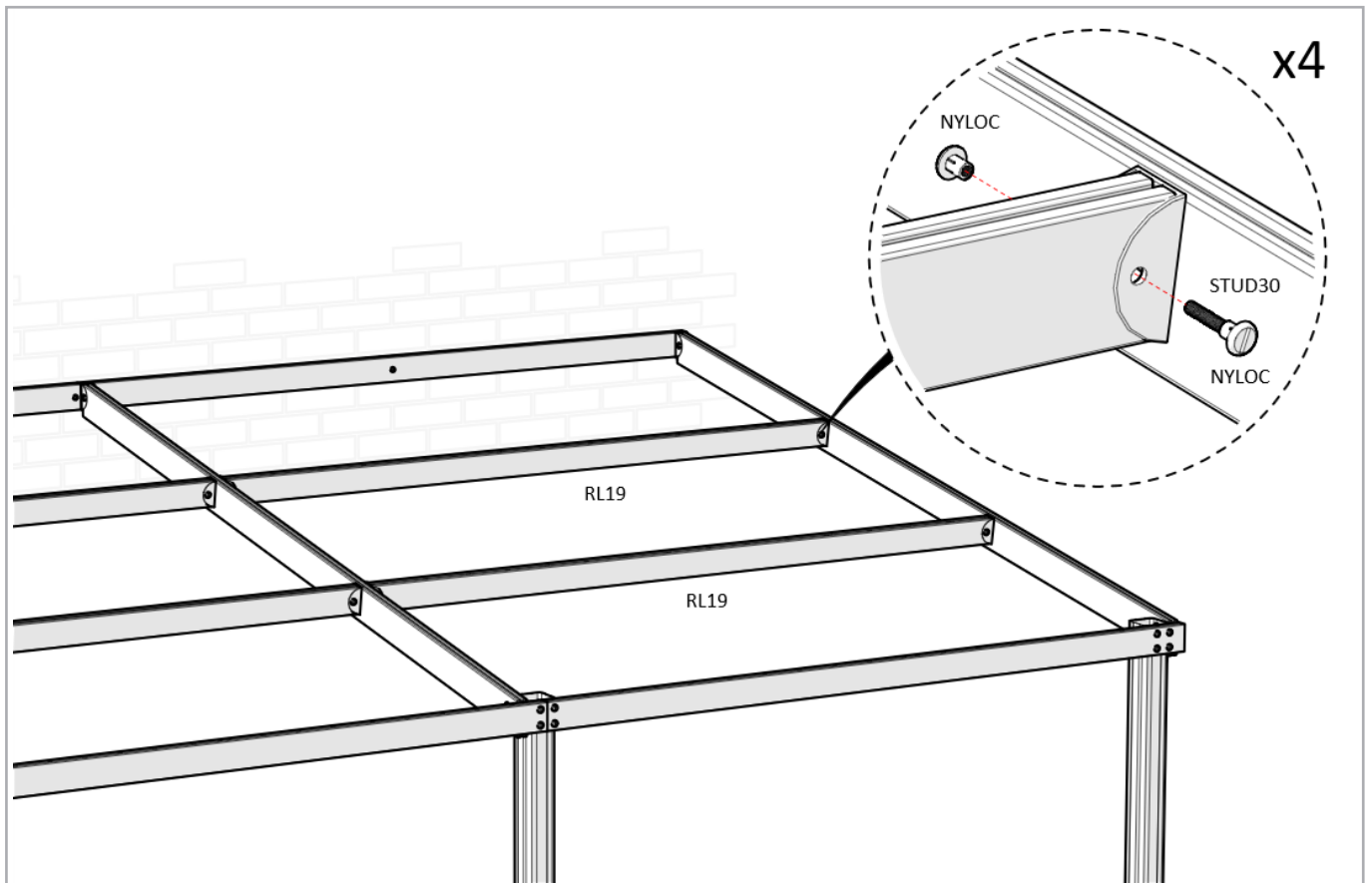
Step 8 - Fix RL20 between both uprights



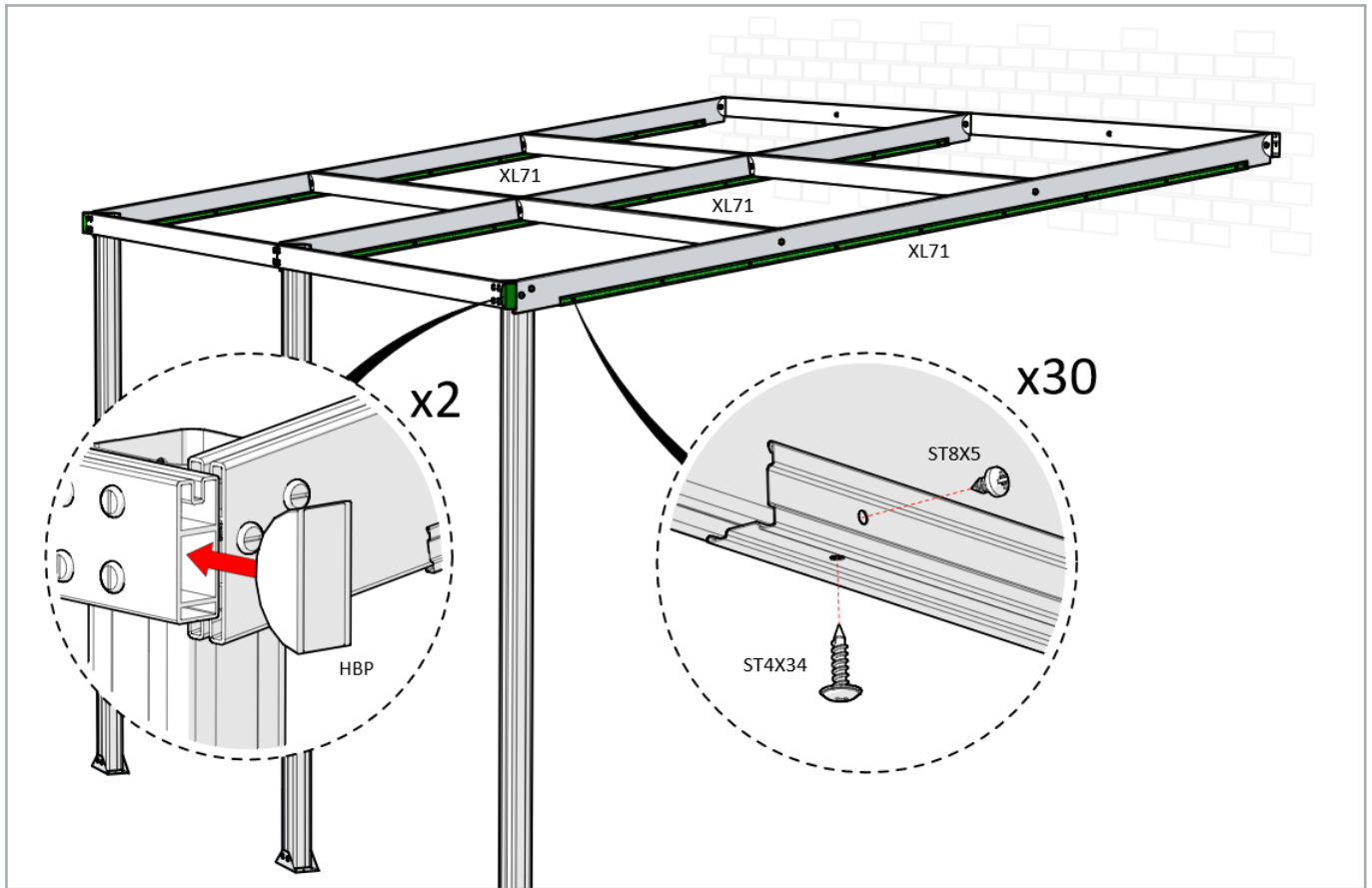
Step9 - Fix HBD brackets to BM1 as shown



Step 10 - Attach 2x RL19

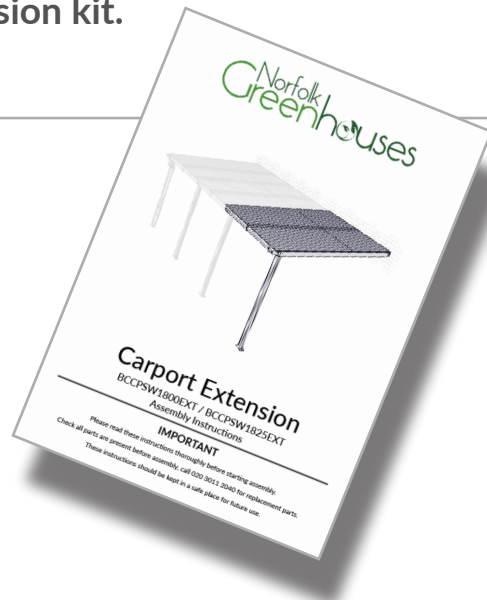


Step 11 - Fix XL71 to underside of each BM1.
Push fit HBP to exposed ends of the front beam.



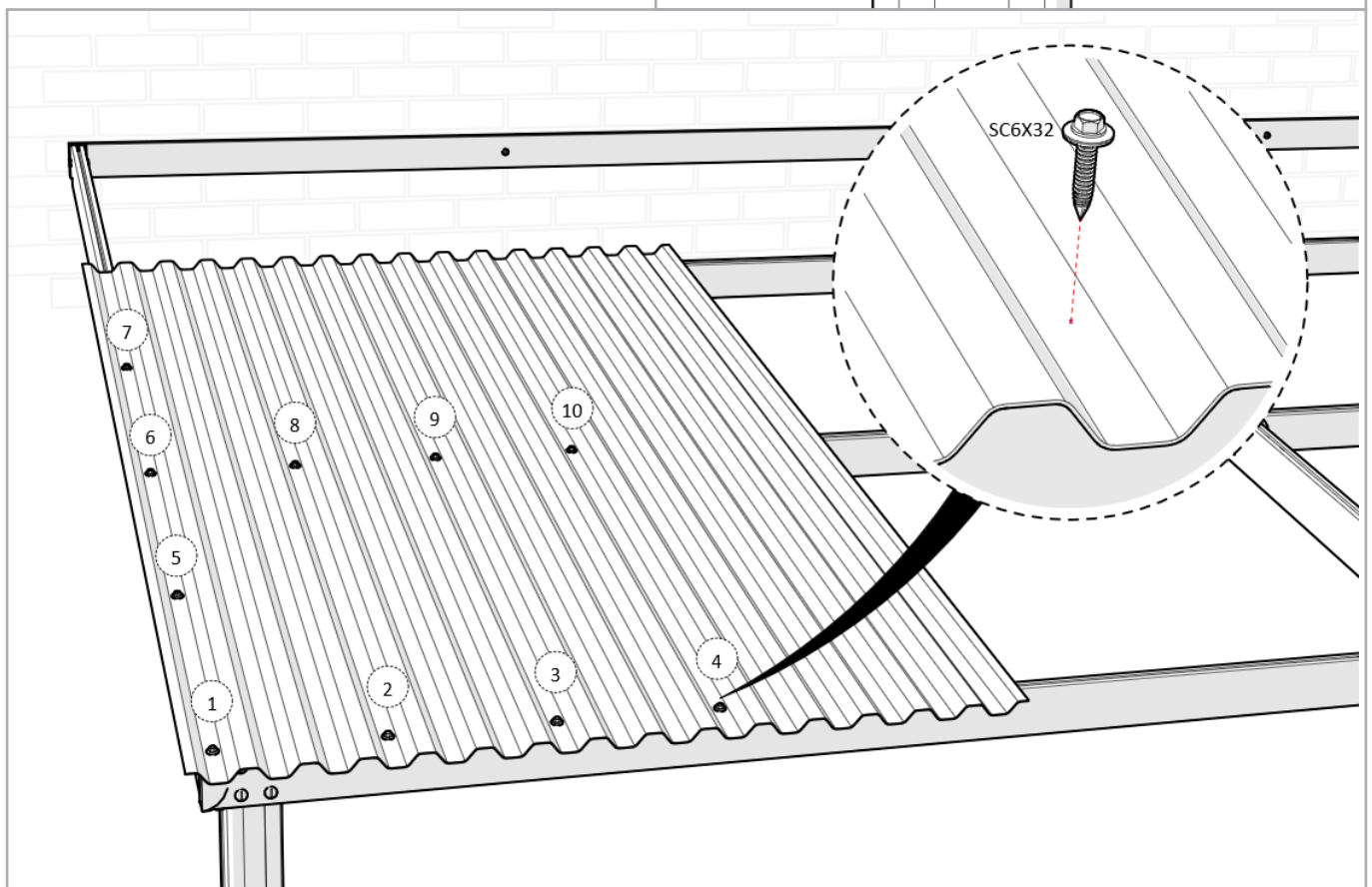
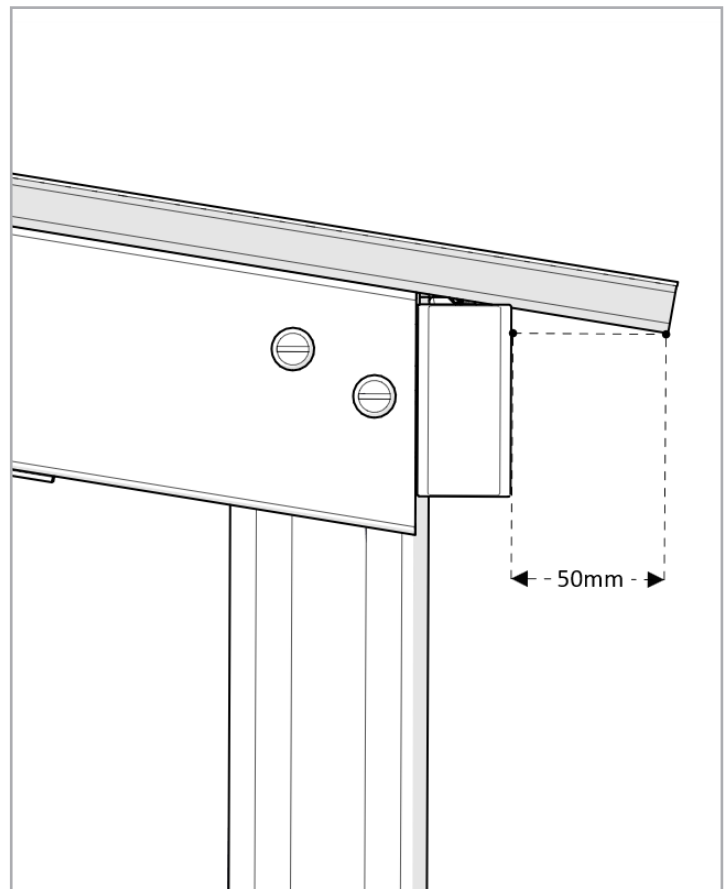
EXTENSION KIT

If building a Carport with Extension, from this point on refer to "Carport Extension" manual supplied with extension kit.

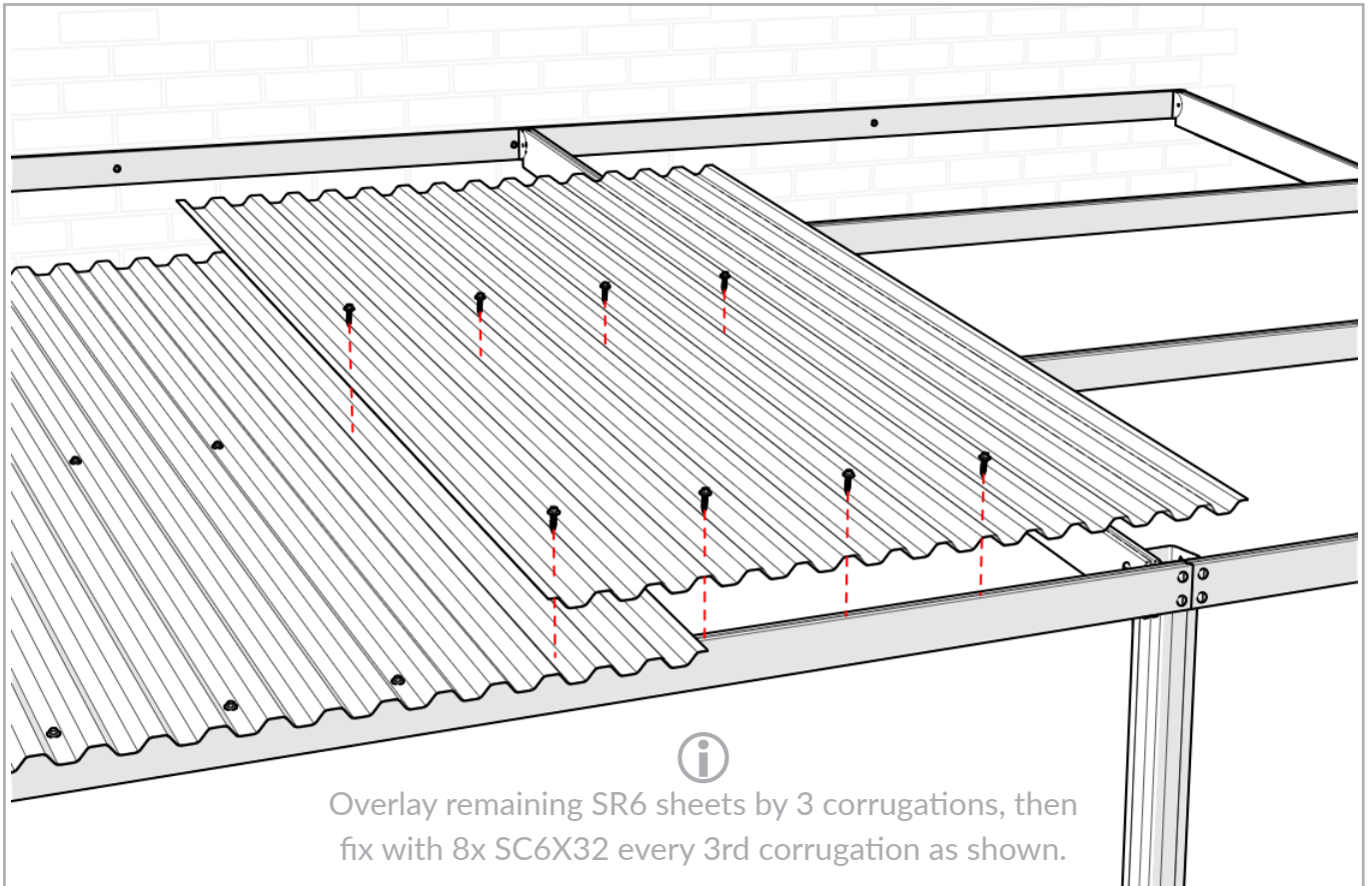


Step 12 - Fix SR6 roof sheet to the front left corner of roof frame.

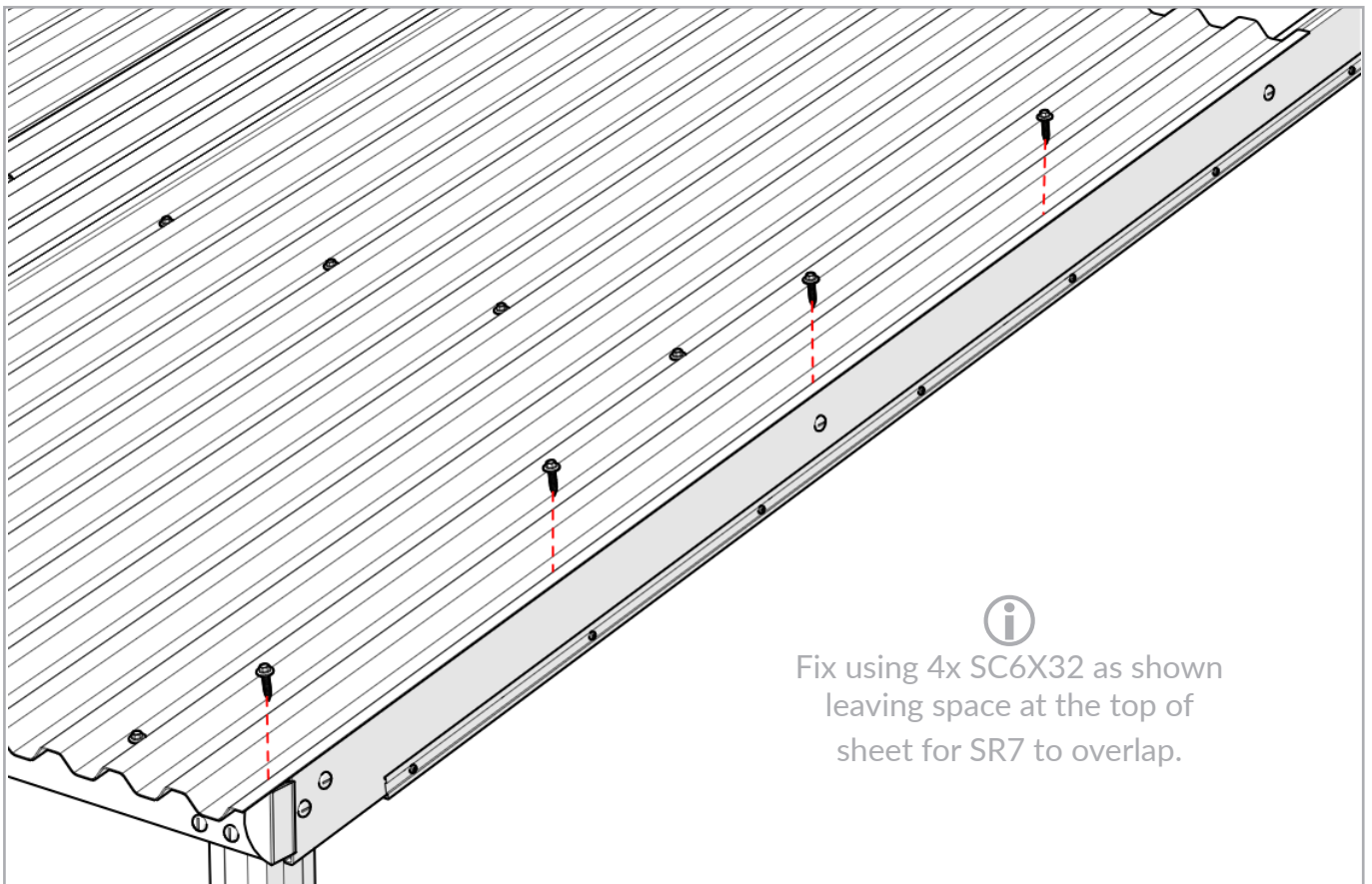
Place first sheet of SR6 in the front left corner of the roof, position so that there is a 50mm overhang from front beam (see image right). Apply fixings 1 to 4 into front beam RL17, every 3rd corrugation (see image below). Move the structure until framework is square with the wall and sheet. Then apply fixings 5 to 7 into BM1, then finally 8 to 10 into RL16.

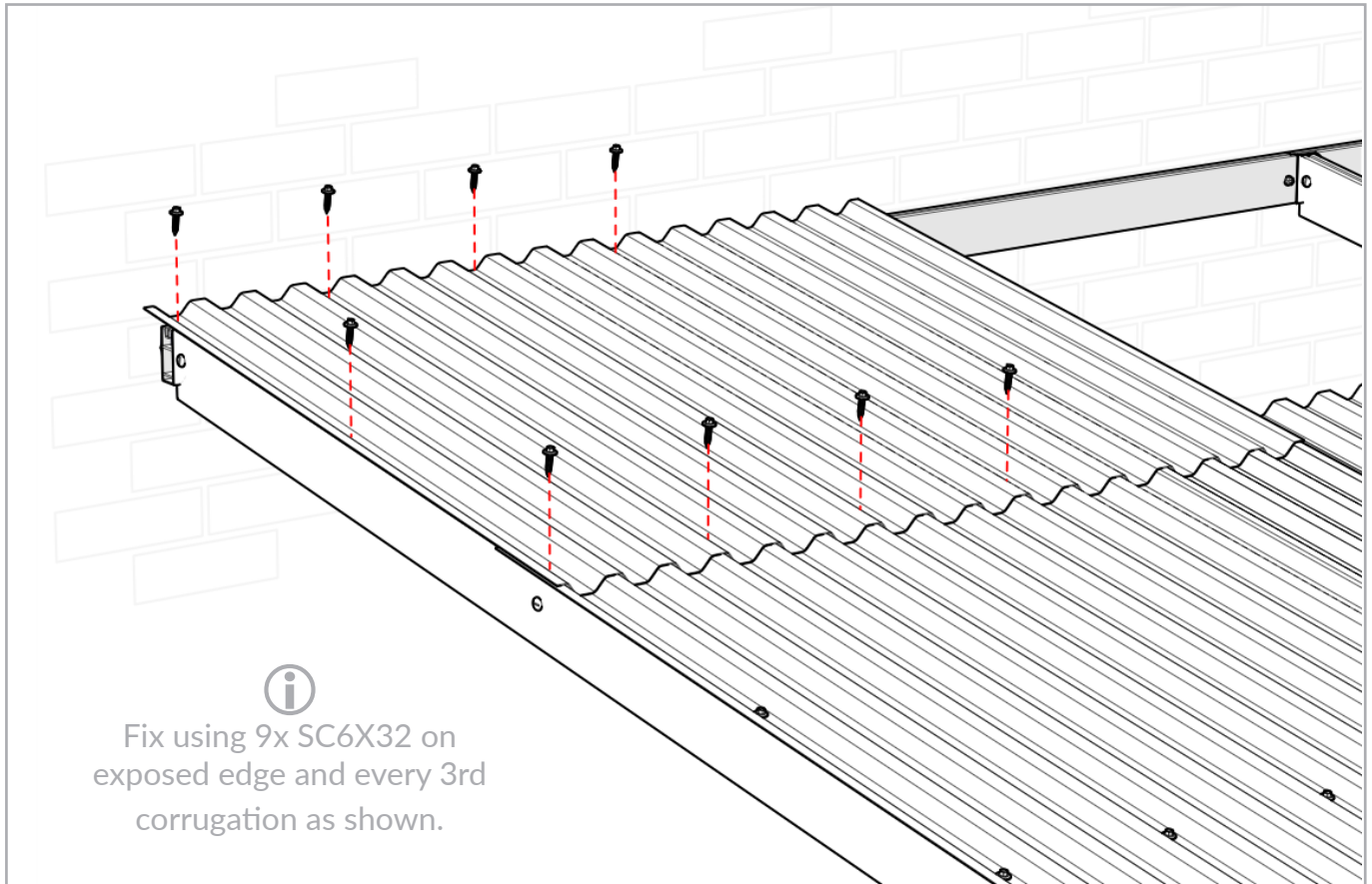
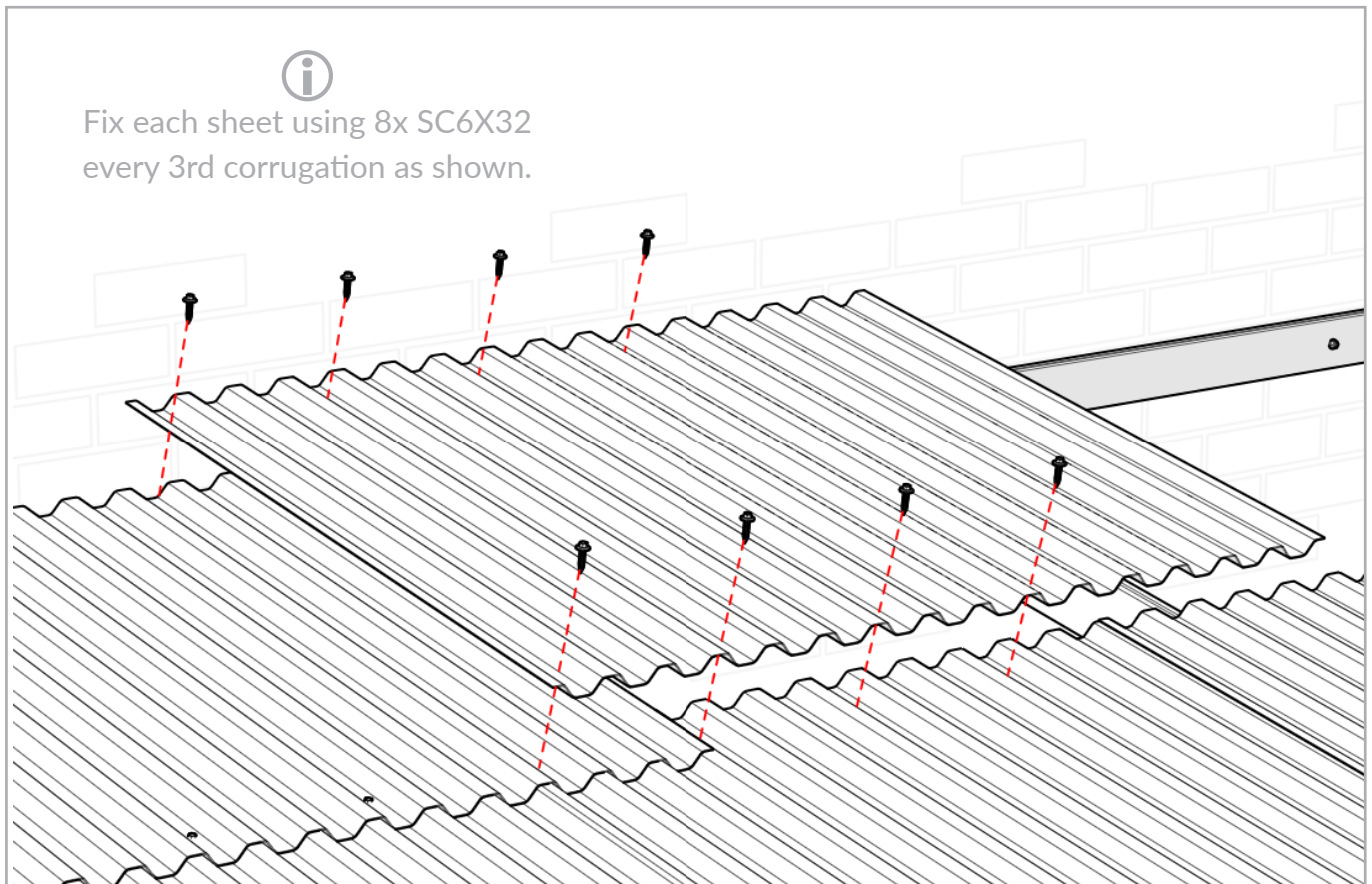


Step 13 - Fix remaining 3x SR6 sheets

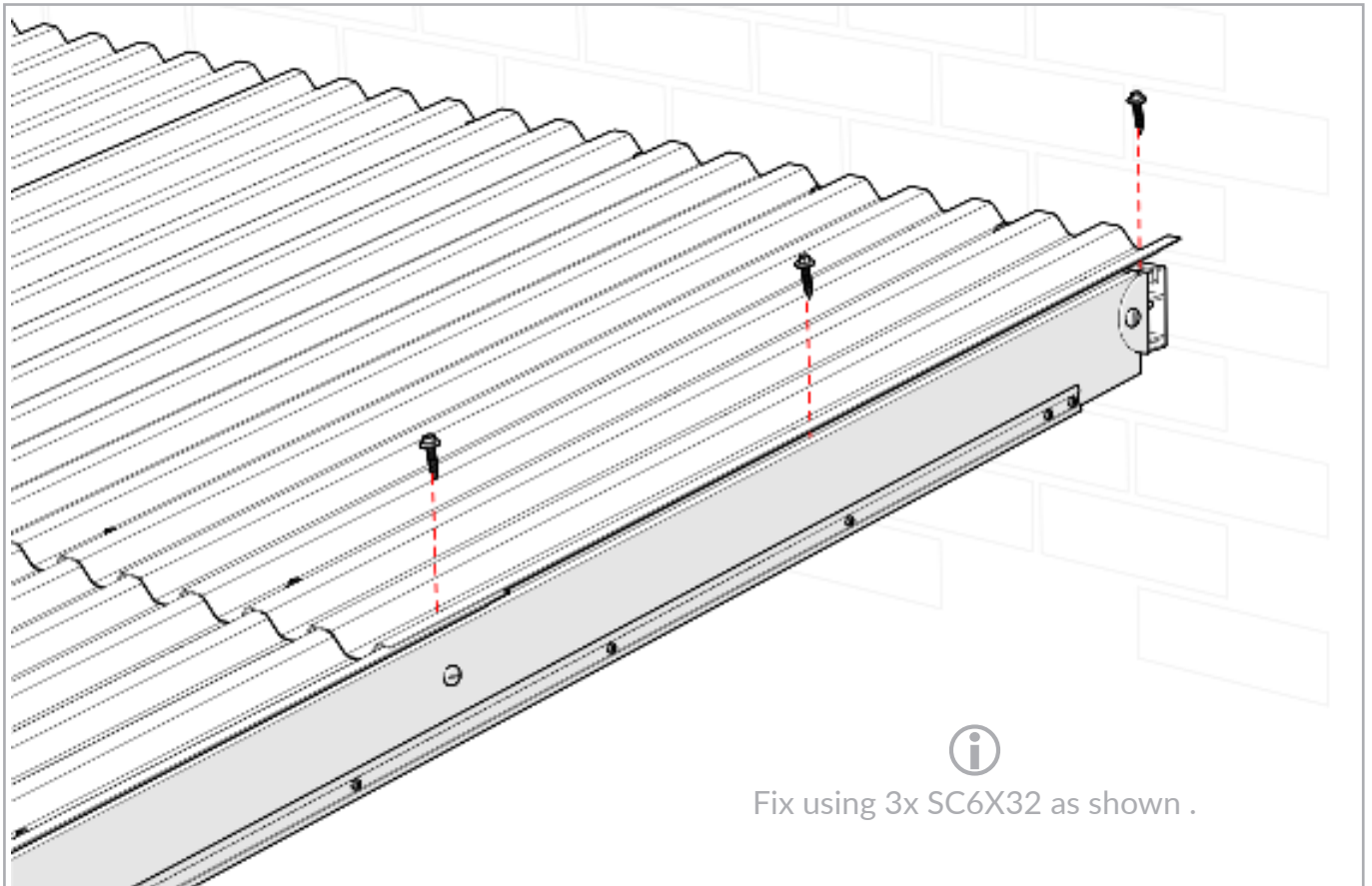


Step 14 - Fix exposed edge of last SR6 sheet to BM1

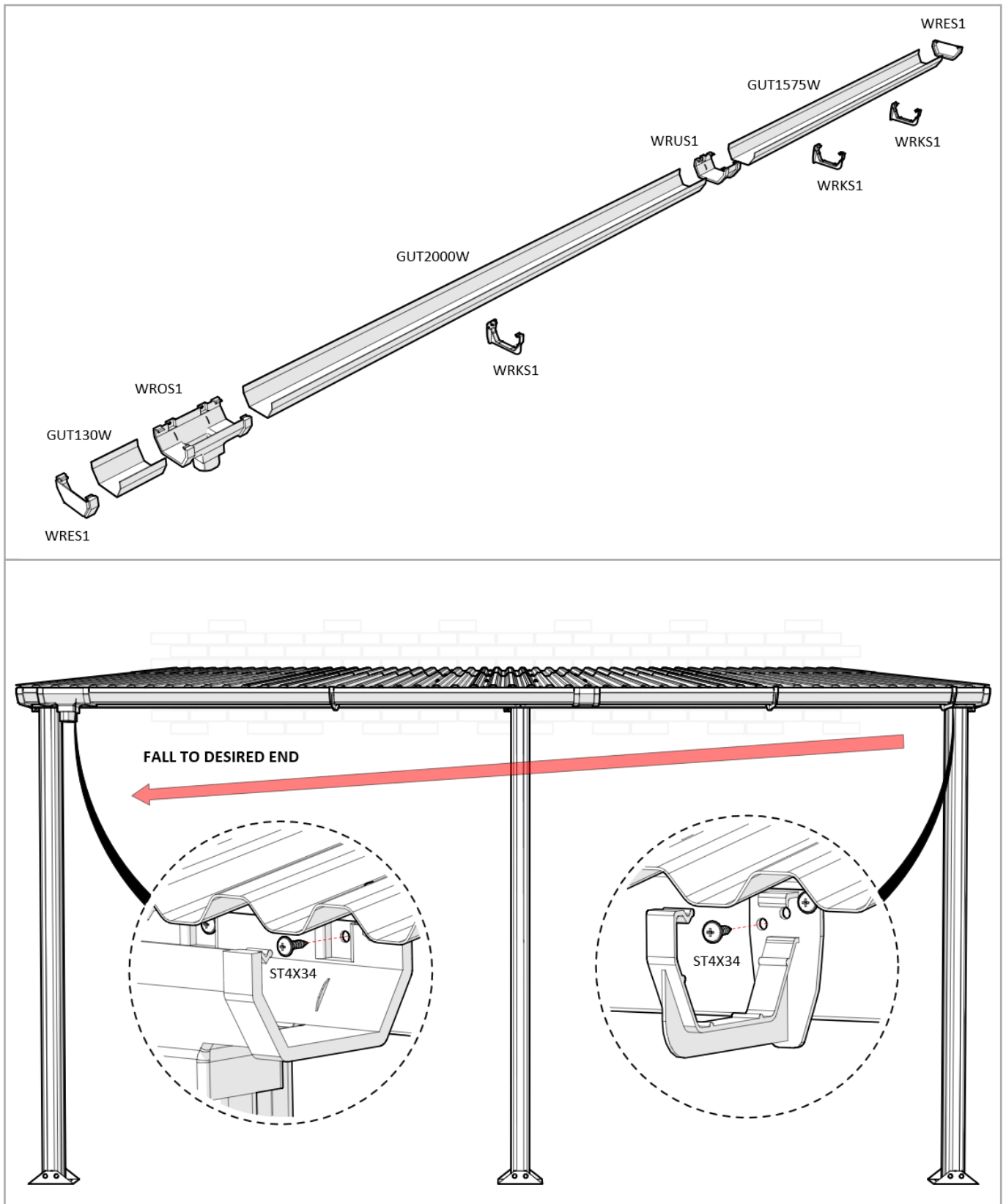


Step 15 - Position SR7 on top of first SR6, tight against the wall and fix.**Step 16 - Fix remaining 3x SR7 sheets**

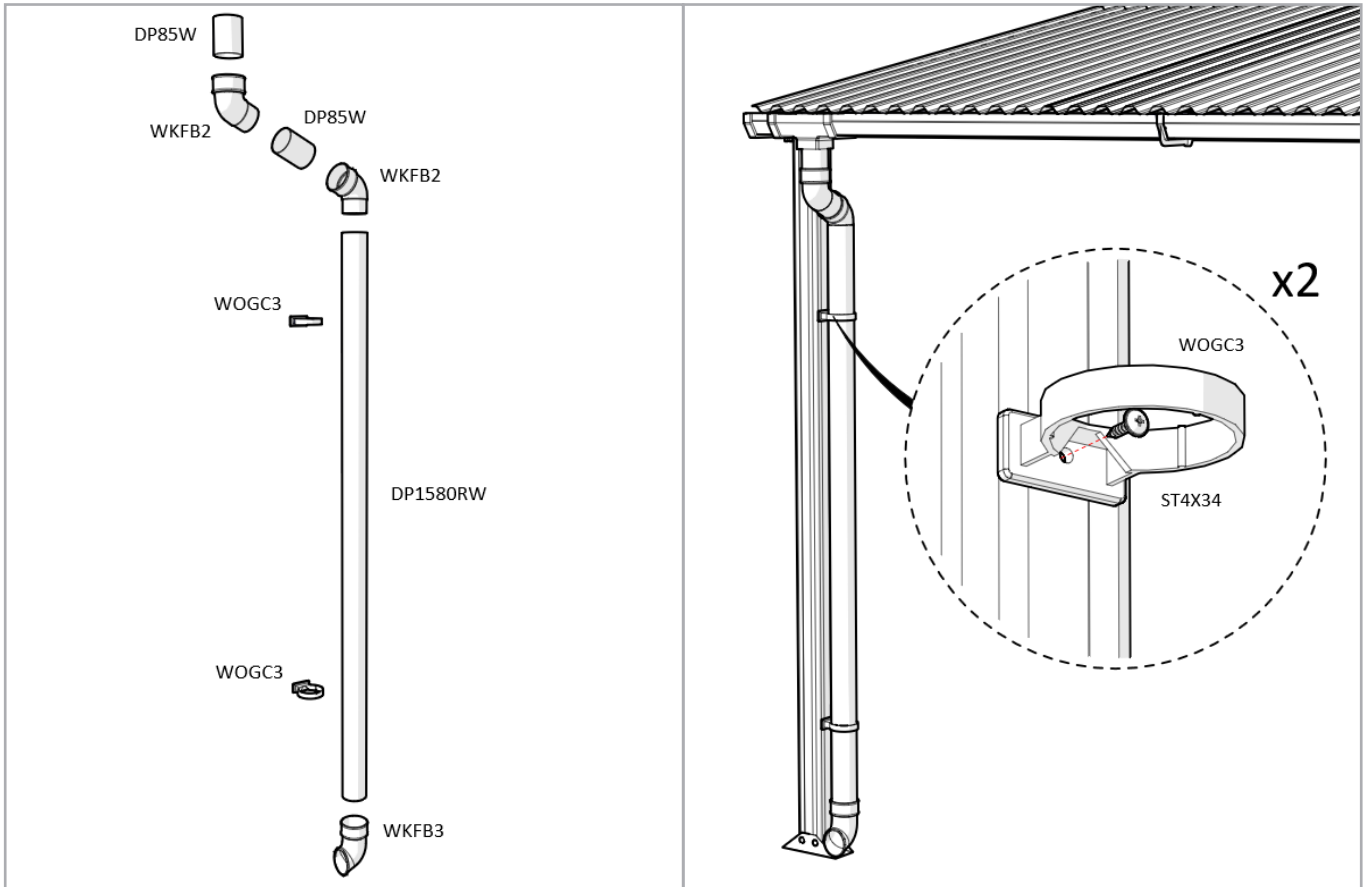
Step 17 - Fix exposed edge of last SR7 sheet to BM1



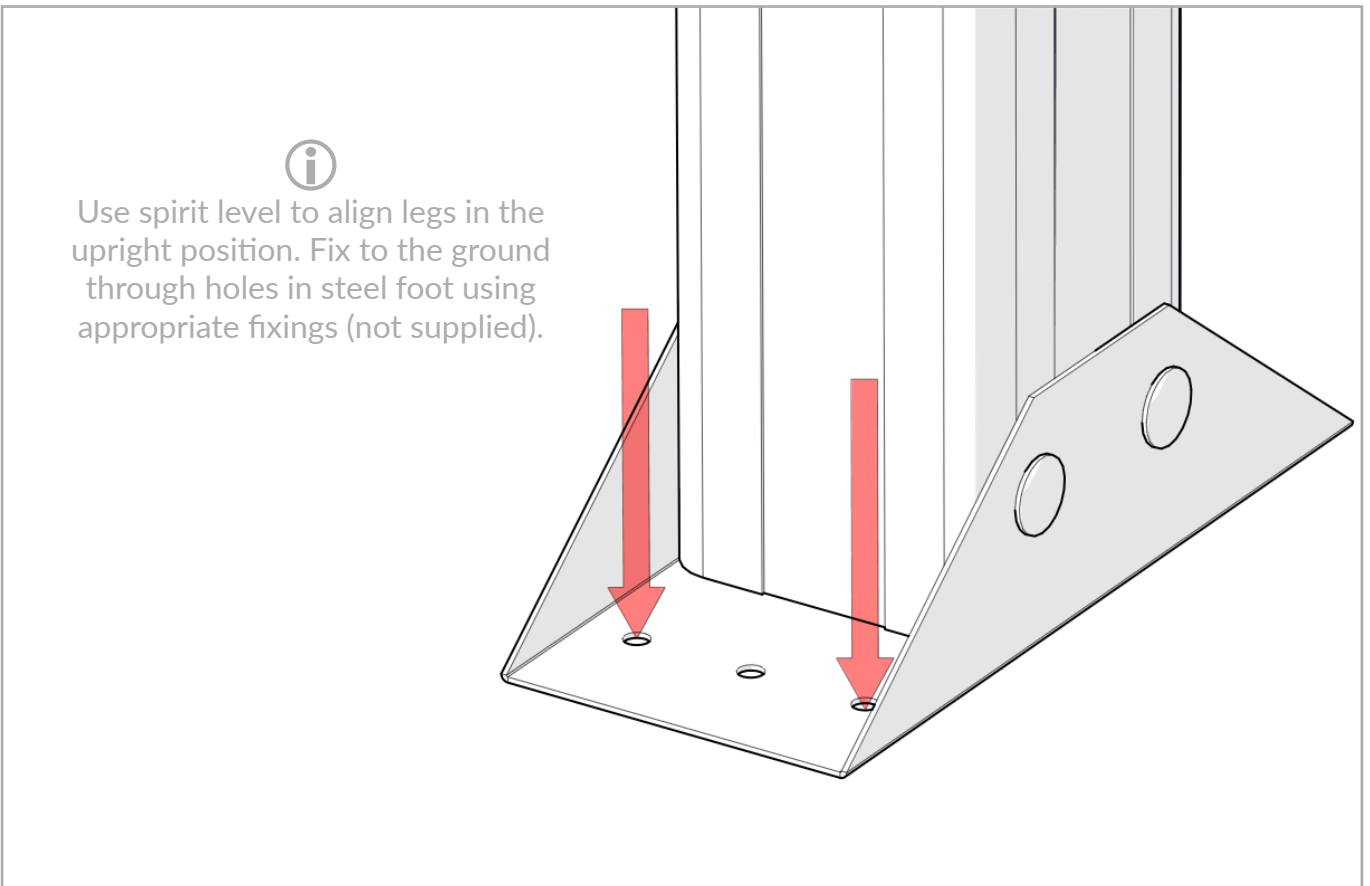
Step 18 - Assemble gutter and fix to front beam of carport



Step 19 - Assemble and fix downpipe to LEG



Step 20 - Anchor feet to the ground





Norfolk Greenhouses

1 Vincent Avenue
Crownhill Industry
Milton Keynes
MK8 0AB

Tel: 020 3011 2040

E-mail: info@norfolk-greenhouses.co.uk