

Gates and Accessories

Let Us Help You Make An Entrance



Easy 200/400/600 Pedestrian Gate Closer

Easy Pedestrian Gate Closers are an economic and reliable automatic gate closer for use with commercial gates.

Unlike normal closing springs, Easy Pedestrian Gate Closers do not slam gates shut. They slowly and quietly push gates closed, making them ideal for use with electric / magnetic locks and other latching devices.

The closing speed is pre-set to give a slow controlled closing speed. Gate closer force is increased by using mounting holes further away from the gate post. With this closer there is no risk of maladjustment or tampering with the speed adjustment after the closer is fitted.

Easy Pedestrian Gate Closers are extremely simple to install and only require periodic inspection and joint lubrication. There are three models available, a 200, 400 and a 600. And each model is available in black painted finish or stainless steel.

Each gate closer kit includes fixing brackets, fitting bar and instructions. Fixings are not included. Button socket head screws are suitable for metal fixing and a similar low profile is suitable for timber fixing. Alternatively, brackets can be welded to post and gate.

As with most gate closers, it is advisable to fit a mechanical stop** restricting the gate opening angle to avoid damage to the closer.

Please contact us for advice regarding suitability, if needed.



Technical overview:

Material	Steel / stainless steel
Finish	Black paint / stainless steel
Hinge arrangements	In-line and offset
Opening angle**	90° plus
Gate size (200 model)	1.0m wide and 50kg
Gate size (400 model)	1.2m wide and 80kg
Gate size (600 model)	1.5m wide and 100kg
Types of gate materials	Metal or timber
Gate closing speed*	Slow hydraulic controlled

Ordering overview:

Model	Part Reference
200 Screw/weld fix black	GATECLOSER055
400 Screw/weld fix black	GATECLOSER056
600 Screw/weld fix black	GATECLOSER057
200 Screw/weld fix stainless	GATECLOSER058
400 Screw/weld fix stainless	GATECLOSER059
600 Screw/weld fix stainless	GATECLOSER060

www.gatesandaccessories.co.uk

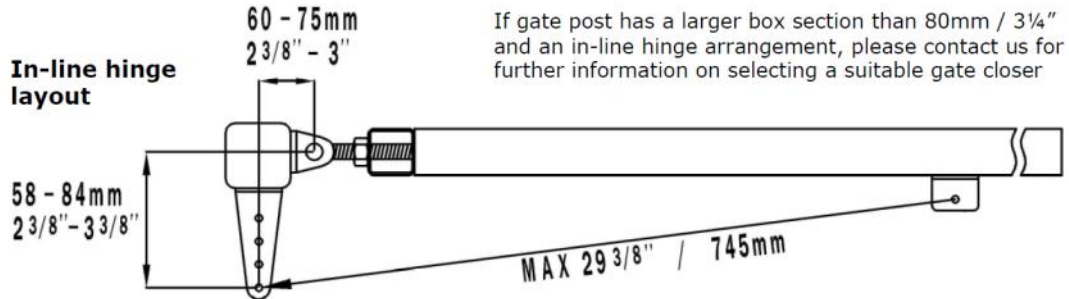
01223-839991

Gates and Accessories

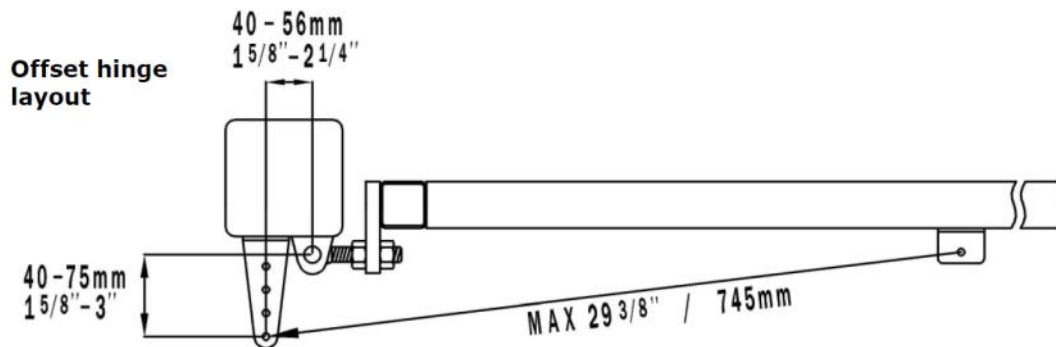
Let Us Help You Make An Entrance



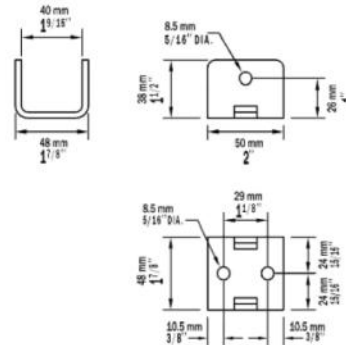
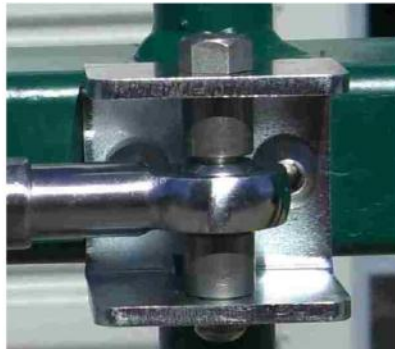
Installation Drawings



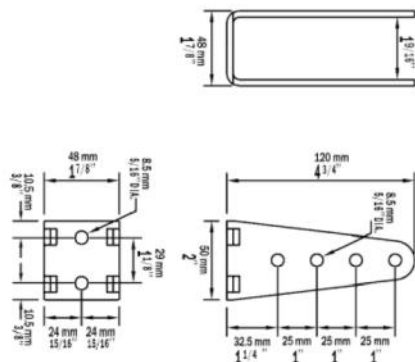
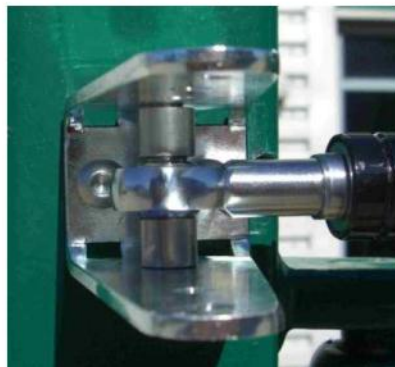
If gate post has a larger box section than 80mm / 3 1/4" and an in-line hinge arrangement, please contact us for further information on selecting a suitable gate closer



Gate Bracket



Post Bracket



www.gatesandaccessories.co.uk

01223-839991