

# **BINWhip**<sup>®</sup>

Silo Cleaning System

## **Series 9000**

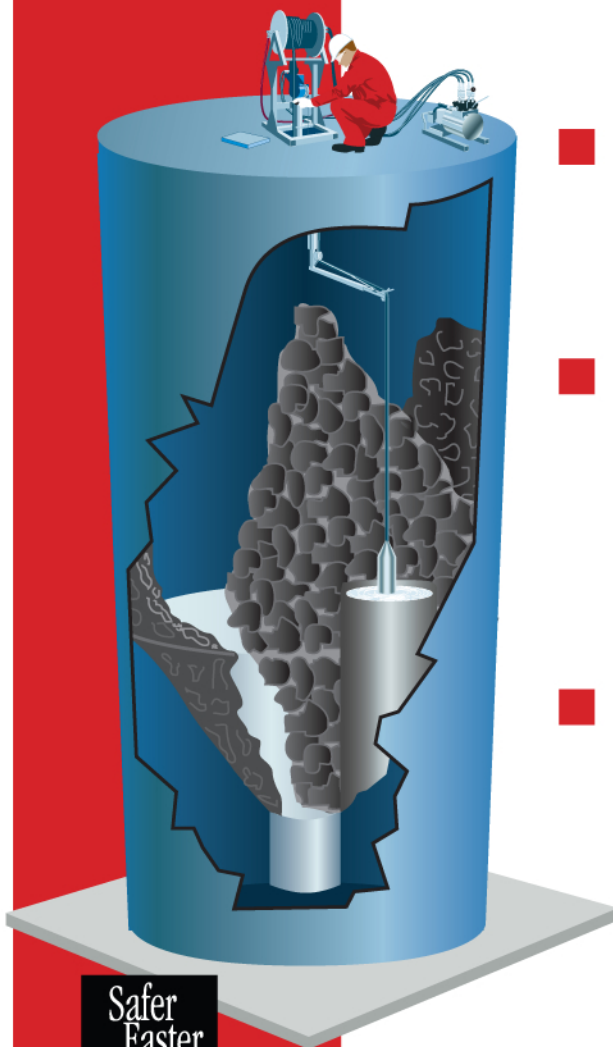
Large-frame BinWhip for large and tall vessels such as cement silos or coal bunkers

## **Series 9250**

Mid-frame BinWhip well suited to a wide range of bin sizes

## **Series 9500**

Small-frame BinWhip for small bins or the tight spaces often found in feed mills



**Safer  
Faster  
Easier**

## **Keep "problem" bins or silos from choking your production - SAFELY.**

Seems like it never ends - poking, hammering and air-lancing on a hung-up bin. Stop and think what it really costs you in labour and lost production. And, in today's environment, you can't afford to expose people to the safety issues associated with confined spaces. There is a cost effective alternative - BinWhip<sup>®</sup> from the Buchen Group.

### **■ SAFE, NO CONFINED SPACE ENTRY**

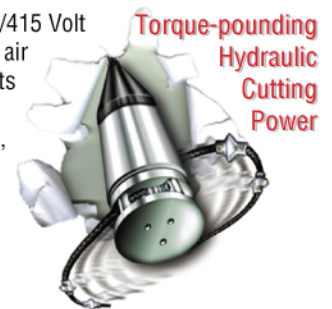
There is a reason for all the warnings and regulations regarding confined space entry - it's dangerous. Since BinWhips work from the roof of the vessel and personnel are not required to enter the vessel at all, you avoid the entire issue.

### **■ VERSATILE**

The BinWhip breaks down into easily handled pieces, so setting up and moving from bin to bin is quick and easy. Different models of BinWhips makes it possible to "right-size" a system for your application. All shapes and sizes of vessel can be handled, from a small 4'x4' ingredients bin to 30'x150' silos and open-top coal bunkers.

### **■ ALL HYDRAULIC - NO AIR REQUIRED**

Our powerful all hydraulic equipment requires only a 380/415 Volt 3-phase electrical hook-up. You don't have to tie up your air system or rent a huge compressor that runs up daily costs with rental and fuel charges. Hydraulic cleaning heads deliver more power to knock out even rock hard deposits, yet are safe and controllable and won't damage vessel walls.



### **■ RESTORES LIVE CAPACITY**

The BinWhip's dry process is applicable to virtually any type of bulk material, restoring 100% capacity, and reclaiming valuable product. If the material is currently usable, there is no reason it won't be usable once the BinWhip knocks it free.



- cement
- wood chips
- coal
- salt
- powder
- sand
- feed
- fly ash
- fertiliser
- hydrated lime
- soybean meal
- wheat meal

## BinWhip Technology

The Bin Whip is a unique tool developed to allow the cleaning of clogged storage vessels without the danger of sending personnel into confined spaces. The BinWhip attaches easily to an opening at the top of a bin or silo. The boom extends into the vessel to act as a guide for the main hose assembly and attached cleaning head. Flexible whips attached to the cleaning head create a flailing action to knock out even the toughest hang-ups without damaging vessel walls. Without ever entering the bin, an operator can easily position the cleaning head inside the vessel by rotating or moving the boom up or down. The end result is a clean vessel and reclaimed product.

### Modular Aluminium Construction

BinWhip's aircraft-grade aluminium structure sets-up and breaks-down quickly for easy transfer from bin to bin.

### Custom Length Hoses

All hoses are high strength, abrasion resistant wire-braid construction that can be custom fitted to suit all your bin sizes.

### Telescoping Booms

Multi-section high-strength aluminium booms adjust at pre-set stops for easy adjustment to fit different size vessels.

### Cleaning Head

Hydraulic powered head gives torque and power for knocking-out hung-up product and superior control to keep the head in the product. Rotation is also reversible.

### Whips

Depending on material to be cleaned, UHMW knuckle whips, non-sparking bronze chain, or specially configured steel chains are available.



### Hydraulic Power Unit

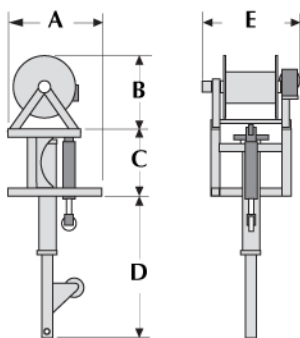
Explosion-proof 5.5kw power unit is designed around the mobility of a 2-wheel hand truck. The high-efficiency industrial pump and portable controls give precise control over all functions of both the BinWhip and its allied product, the BinDrill® Bridge Breaking System.

## Specifications



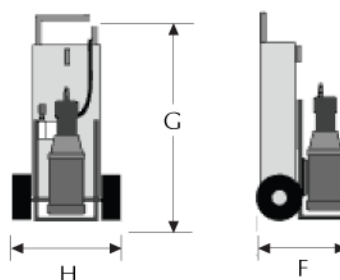
### Hose Reel/Bin Mount Assembly

Series 9000 (57 kg) / 9250 (56 kg) / 9500 (45 kg)



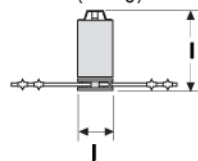
### Power Unit Assembly

All Models (159 kg w/Hyd. Fluid)



### Cleaning Head Assembly

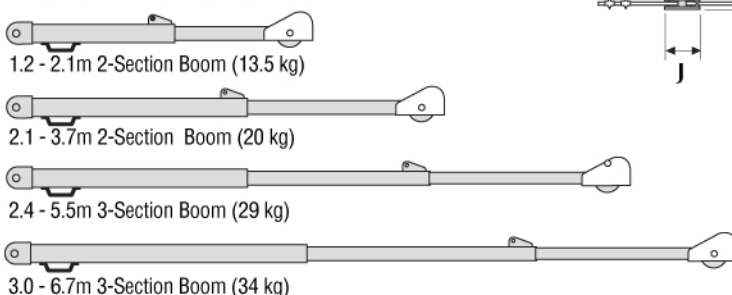
All Models (27 kg)



	Series 9000	Series 9250	Series 9500
A	61cm(24in)	61cm(24in)	61cm(24in)
B	56cm(22in)	56cm(22in)	56cm(22in)
C	56cm(22in)	56cm(22in)	56cm(22in)
D	84cm(33in)	84cm(33in)	84cm(33in)
E	79cm(31in)	69cm(27in)	63cm(25in)
F	54cm(21in)	54cm(21in)	54cm(21in)
G	126cm(50in)	126cm(50in)	126cm(50in)
H	56cm(22in)	56cm(22in)	56cm(22in)
I	48cm(19in)	48cm(19in)	48cm(19in)
J	23cm(9in)	23cm(9in)	23cm(9in)

Electrical Requirements (All Models)  
415 (10A) 3-Phase

### Telescoping Boom Assemblies



BUCHEN-ICS Ltd.

25b Northampton Road,  
GB-Scunthorpe, North Lincolnshire DN16 1UJ

Phone: +44 1724 - 282 164 Fax: +44 1724 - 282 196  
Email: info@buchen-ics.co.uk www.buchen-ics.co.uk