

QUIETCLIP ARCHITECTURAL DIAGRAMS

WALL & CEILING ASSEMBLY GUIDE

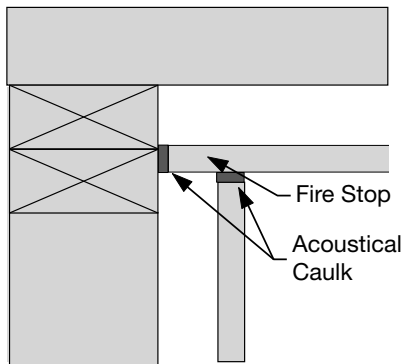
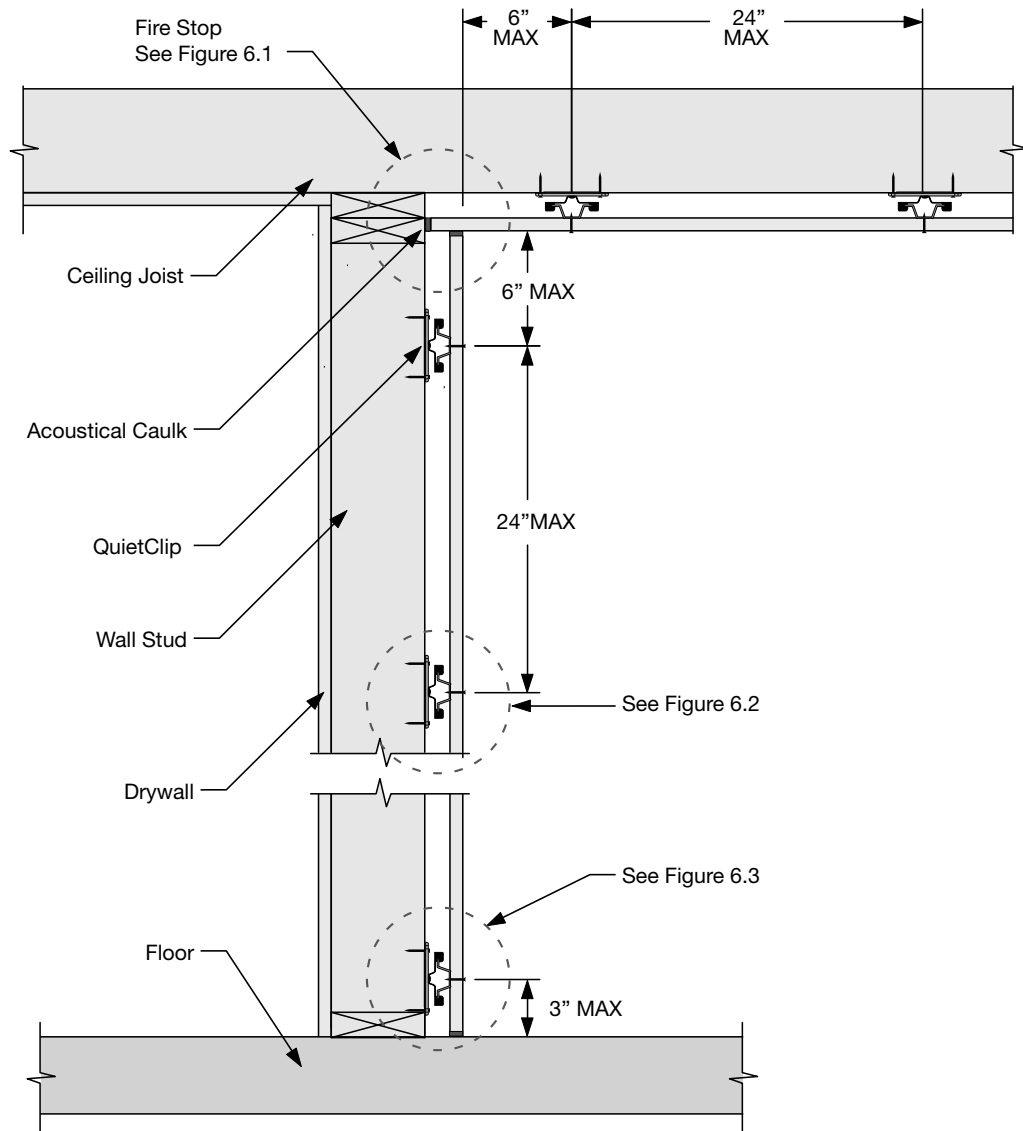


Figure 6.1: It is important to create a fire stop between rooms following local building codes.

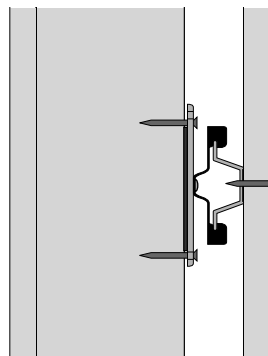


Figure 6.2: Install QuietClips with two fasteners following local building codes.

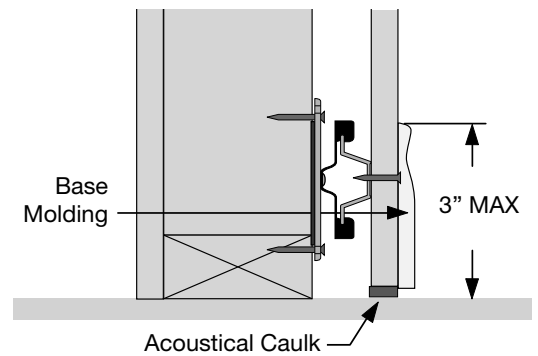


Figure 6.3: Base board or any other wall attachments must not touch the floor.

WALL ASSEMBLY

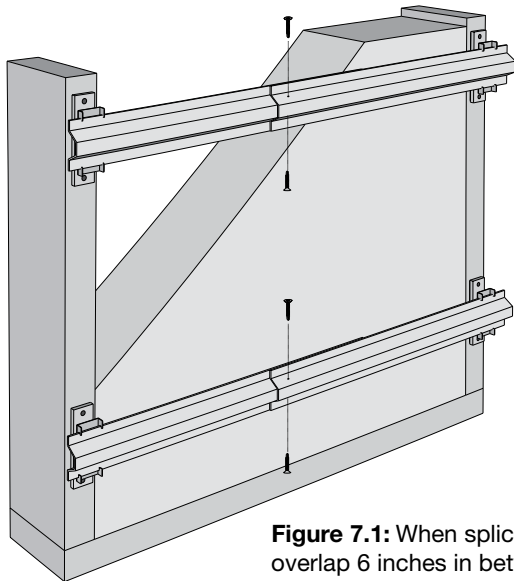
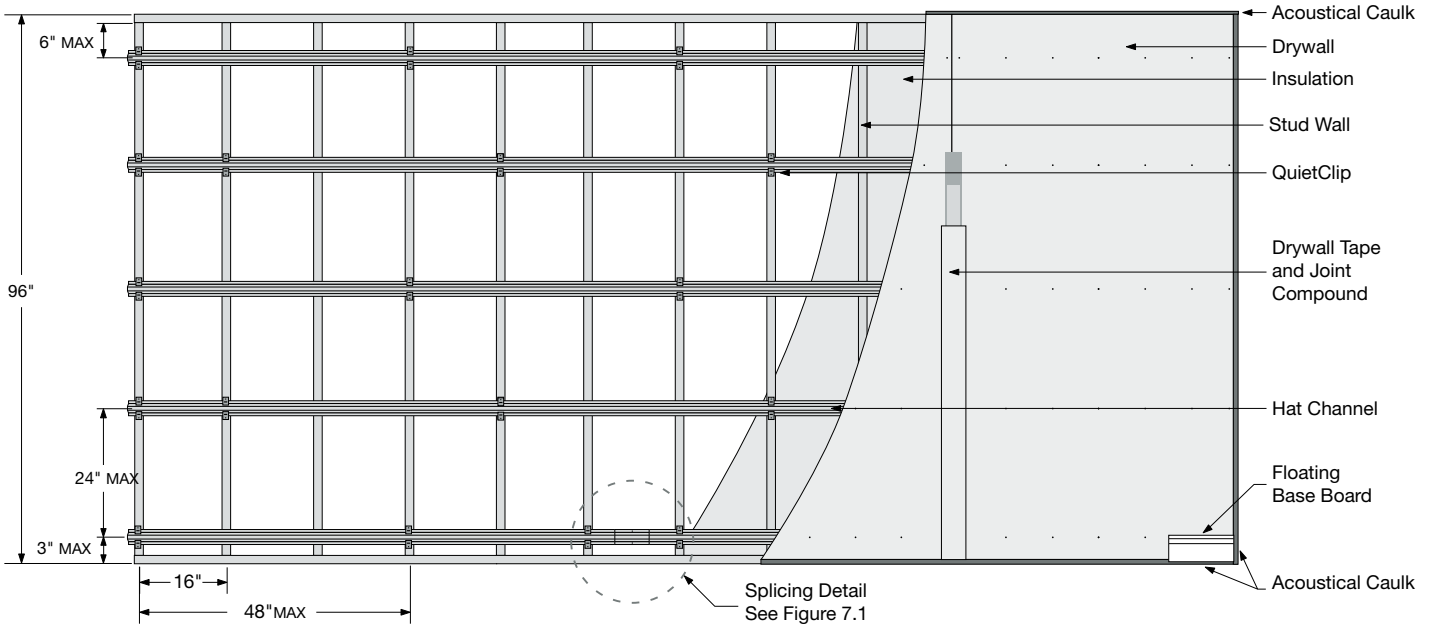
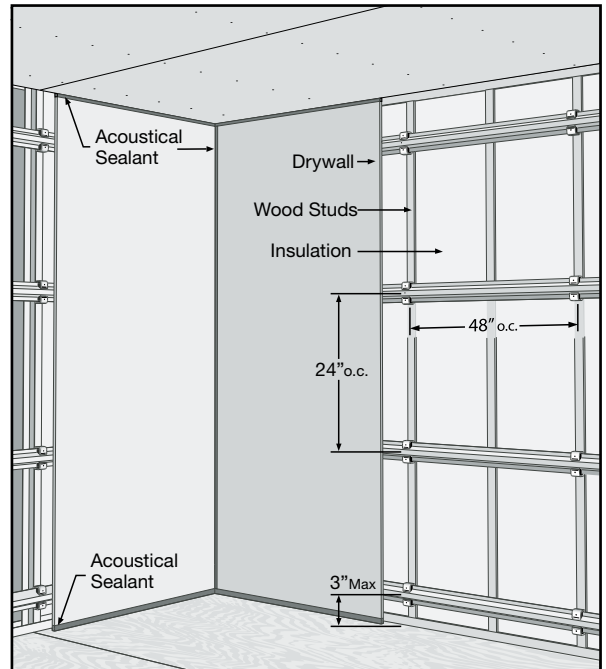


Figure 7.1: When splicing hat channel, overlap 6 inches in between two QuietClips. Secure the channel with two 7/16" framing screws or 18 gauge tie-wire can be used.



CEILING ASSEMBLY

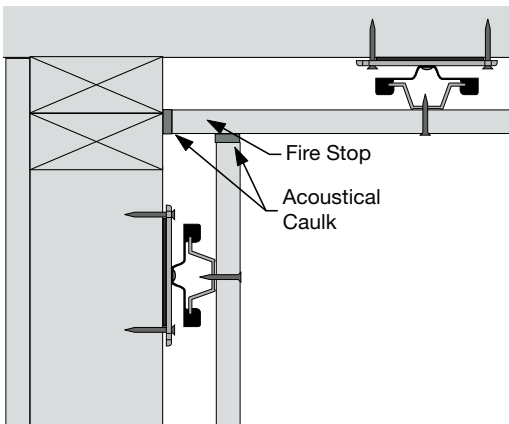
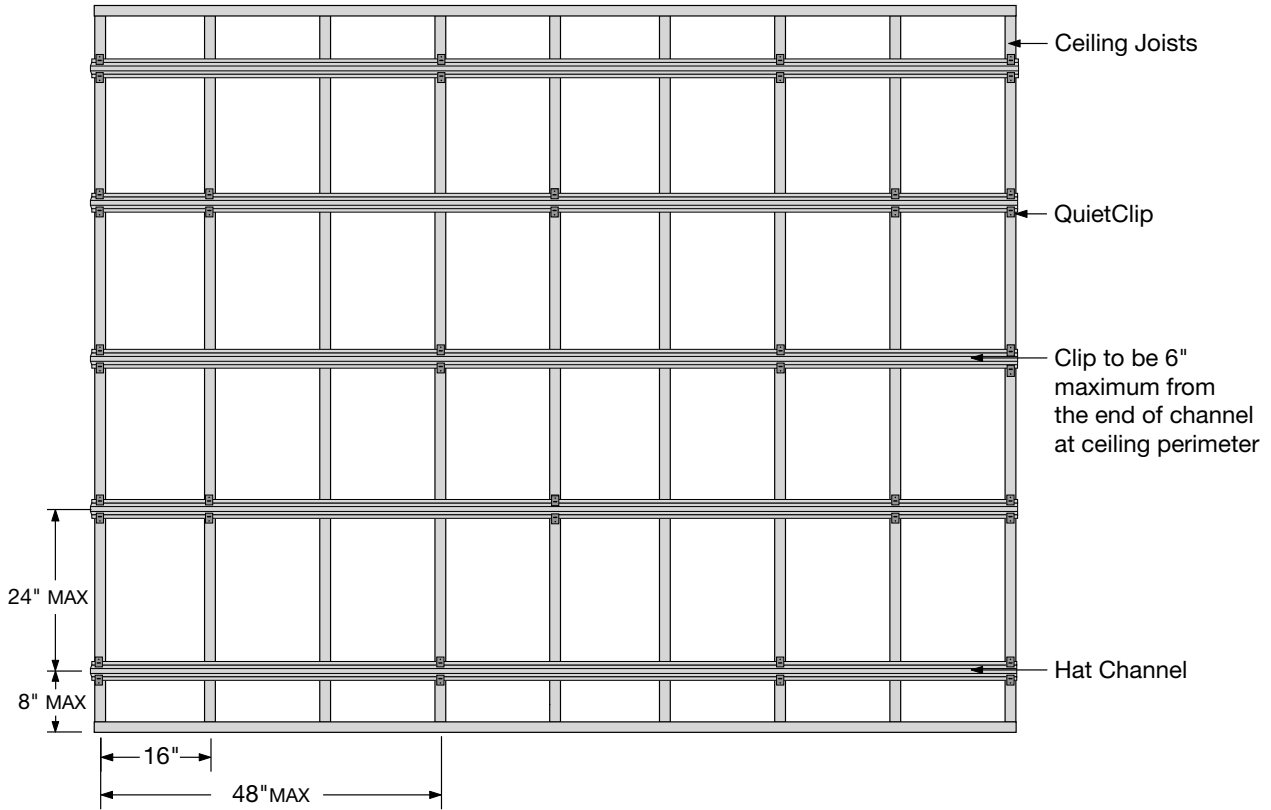
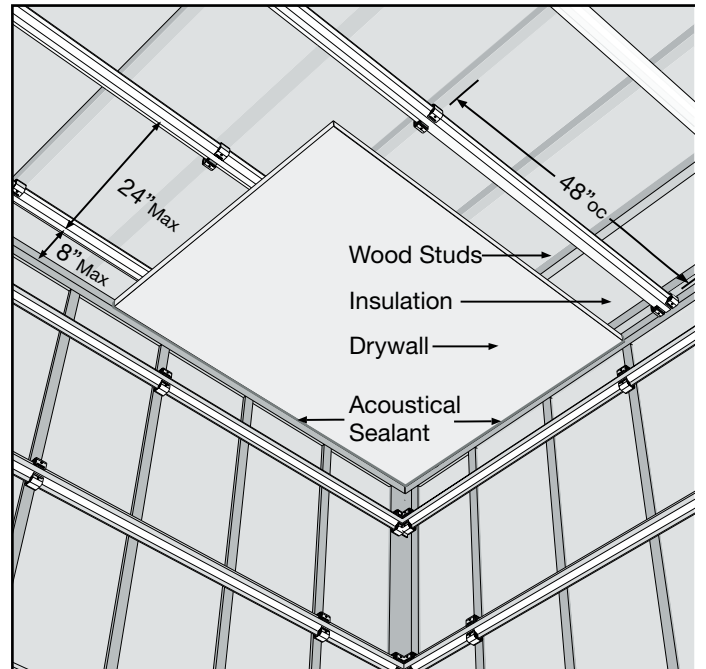
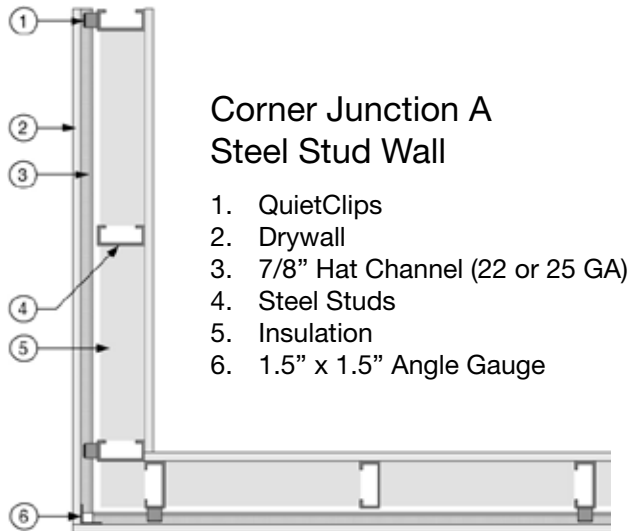


Figure 8.1: It is important to create a fire stop between rooms following local building codes.

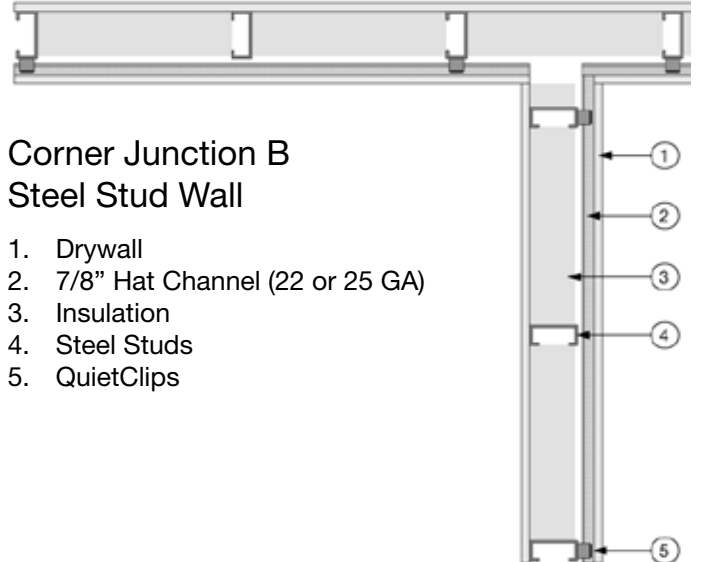


CORNER AND WALL INTERSECTION



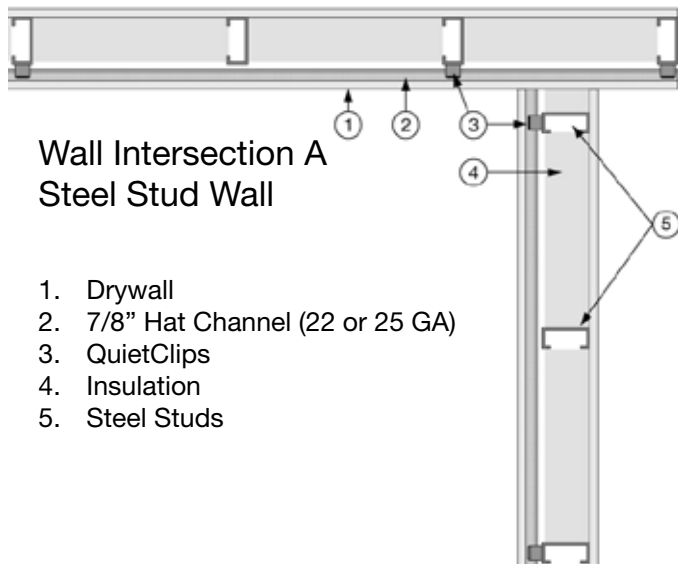
**Corner Junction A
Steel Stud Wall**

1. QuietClips
2. Drywall
3. 7/8" Hat Channel (22 or 25 GA)
4. Steel Studs
5. Insulation
6. 1.5" x 1.5" Angle Gauge



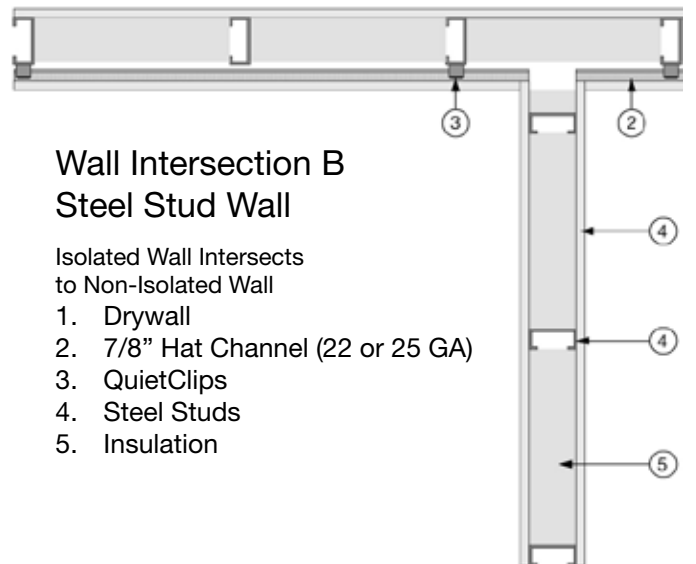
**Corner Junction B
Steel Stud Wall**

1. Drywall
2. 7/8" Hat Channel (22 or 25 GA)
3. Insulation
4. Steel Studs
5. QuietClips



**Wall Intersection A
Steel Stud Wall**

1. Drywall
2. 7/8" Hat Channel (22 or 25 GA)
3. QuietClips
4. Insulation
5. Steel Studs



**Wall Intersection B
Steel Stud Wall**

- Isolated Wall Intersects to Non-Isolated Wall
1. Drywall
 2. 7/8" Hat Channel (22 or 25 GA)
 3. QuietClips
 4. Steel Studs
 5. Insulation