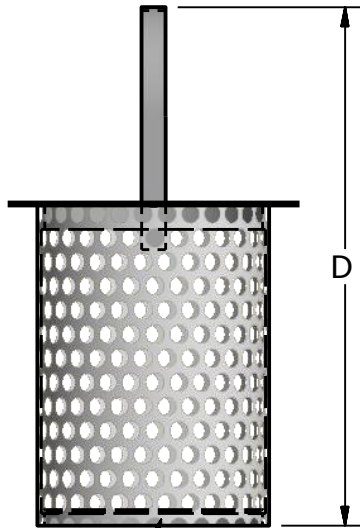
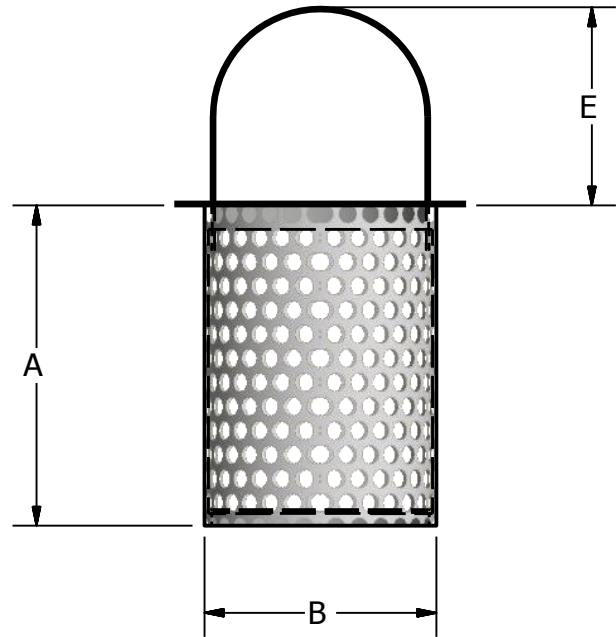
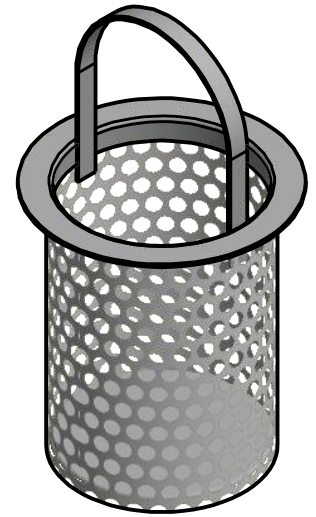
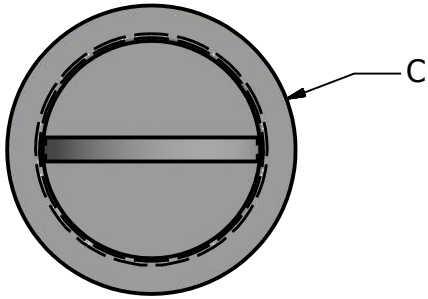


2

1

REVISION HISTORY

REV	DESCRIPTION	DATE	APPROVED
0	INITIAL RELEASE	1/01/2018	JRC



PERF SIZE: _____

GAUGE: _____

ENTER DIMENSIONS

A	B	C	D	E

PERFORATED OR SOLID BOTTOM

(CIRCLE ONE)

	NAME	DATE
ENG APPR	JIM	1/01/2018
MGR APPR	JOHN	1/01/2018

Ray Camp Company

MATL:
(INDICATE MATERIAL)

PERFORATED BASKET WITH
HANDLE

UNLESS OTHERWISE SPECIFIED
DIMENSIONS ARE IN INCHES

SIZE DWG NO
A RC1118

ANGLES ±1.0°

CUSTOMER:

2 PL ±0.13 3 PL ±0.063

SCALE: 1 / 3

SHEET: 1 OF 1

THIS DRAWING CONTAINS INFORMATION PROPRIETARY TO RAYCAMP COMPANY, ANY UNAUTHORIZED USE OF THIS DRAWING IS EXPRESSLY PROHIBITED WITHOUT THE WRITTEN PERMISSION FROM RCC.

2

1