

DATWYLER SYSTEM WARRANTY

Copper Cabling System

Appendix A1

Systems Covered by the Warranty

Juli 2014

System Warranty



Contents

- 1. Systems covered by the warranty 3
- 2. Approved permanent links 3
- 3. Installations with components of different Classes/Categories 3
- 4. Components of systems covered by the warranty 3
- 5. Shielded systems 4
- 6. Unshielded systems 7

System Warranty



1. Systems covered by the warranty

The types of Datwyler cable listed below form the Datwyler cabling system in association with the Datwyler connection components.

The warranty covers Datwyler cabling systems only.

The simultaneous use of shielded and unshielded components is not acceptable.

2. Approved permanent links

As a matter of principle the warranty covers the permanent link only.

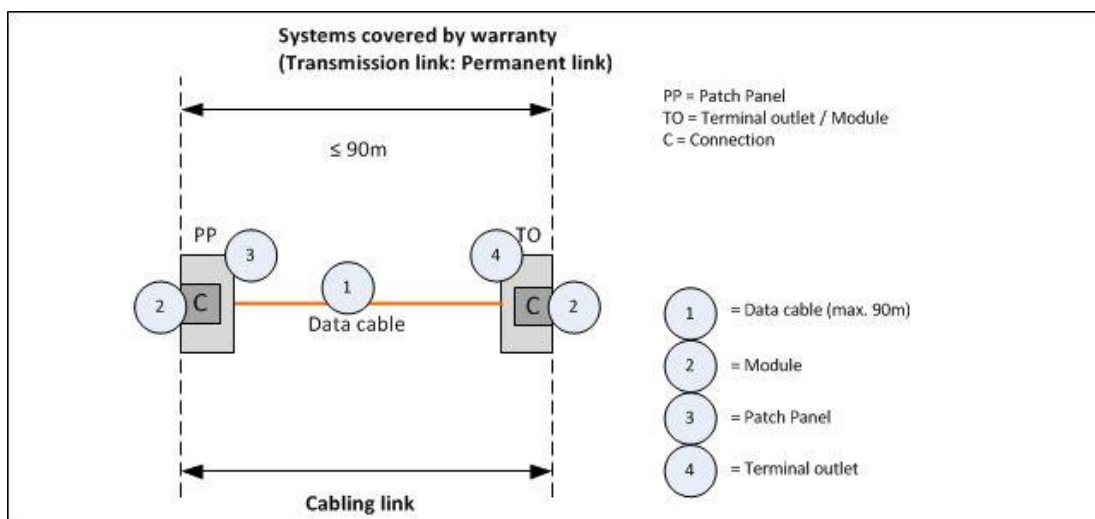
Permanent Link Standards:

Class D	conforming to EN 50173-1:2011
Class D	conforming to ISO/IEC 11801:2002/A2:2010
Cat. 5e	conforming to TIA/EIA 568 B.2-10
Class E	conforming to EN 50173-1:2011
Class E	conforming to ISO/IEC 11801:2002/A2:2010
Cat. 6	conforming to TIA/EIA 568 B.2-10
Class E_A	conforming to EN 50173-1:2011
Class E_A	conforming to ISO/IEC 11801:2002/A2:2010
Cat. 6A	conforming to TIA/EIA 568 B.2-10
Class F	conforming to EN 50173-1:2011
Class F	conforming to ISO/IEC 11801:2002/A2:2010
Class F_A	conforming to EN 50173-1:2011
Class F_A	conforming to ISO/IEC 11801:2002/A2:2010

3. Installations with components of different classes/categories

When a mixture of Datwyler components is used, the Datwyler System Warranty covers the lowest Category/Class of components used.

4. Components of systems covered by the warranty



System Warranty



5. Shielded systems

5.1. Cables

					For cabling links				
Art.No.	Product	Categorie	Features		ISO/IEC Class D / TIA/EIA Cat. 5e	ISO/IEC Class E / TIA/EIA Cat. 6	ISO/IEC Class E _A / TIA/EIA Cat. 6A	ISO/IEC Class F	ISO/IEC Class F _A
182925	CU 7150 4P Multimedia	7 _A	S/FTP	4x2x0,64 (AWG22)	x	x	x	x	x
177400	CU 7702 4P	7 _A	S/FTP	4x2x0,62 (AWG22)	x	x	x	x	x
177390	CU 7702 2x4P F8	7 _A	S/FTP	4x2x0,62 (AWG22)	x	x	x	x	x
191466	CU 7120 4P	7 _A	S/FTP	4x2x0,58 (AWG23)	x	x	x	x	x
177388	CU 7002 4P	7	S/FTP	4x2x0,57 (AWG23)	x	x	x	x	
177398	CU 7002 2x4P F8	7	S/FTP	4x2x0,57 (AWG23)	x	x	x	x	
187689	CU 7002 4P Industrial	7	S/FTP	4x2x0,57 (AWG23)	x	x	x	x	
191923	CU 7002 4P GG-PE	7	S/FTP	4x2x0,57(AWG23)	x	x	x	x	
182911	CU 7080 4P	7	S/FTP	4x2x0,57 (AWG23)	x	x	x	x	
182912	CU 7080 2x4P F8	7	S/FTP	4x2x0,57 (AWG23)	x	x	x	x	
182924	CU 7060 4P	6 _A	S/FTP	4x2x0,55 (AWG23)	x	x	x		
182927	CU 7060 2x4P F8	6 _A	S/FTP	4x2x0,55 (AWG23)	x	x	x		
191454	CU 6552 4P	6 _A	F/FTP	4x2x0,55 (AWG23)	x	x	x		
191453	CU 6502 4P	6 _A	U/FTP	4x2x0,55 (AWG23)	x	x	x		
182936	CU 6002 4P	6	U/FTP	4x2x0,55 (AWG23)	x	x			
182939	CU 5602 4P	5e	SF/UTP	4x2x0,60 (AWG23)	x				
182940	CU 5602 4P	5e	SF/UTP	4x2x0,60 (AWG23)	x				
181112	CU 5502 4P	5e	SF/UTP	4x2x0,54 (AWG24)	x				
181111	CU 5502 4P	5e	SF/UTP	4x2x0,54 (AWG24)	x				
181160	CU 5502 4P 2x4P	5e	SF/UTP	4x2x0,54 (AWG24)	x				
181162	CU 5502 4P 2x4P	5e	SF/UTP	4x2x0,54 (AWG24)	x				
181114	CU 5002 4P	5e	SF/UTP	4x2x0,54 (AWG24)	x				
181113	CU 5002 4P	5e	SF/UTP	4x2x0,54 (AWG24)	x				
181170	CU 5002 4P 2x4P	5e	SF/UTP	4x2x0,54 (AWG24)	x				
181171	CU 5002 4P 2x4P	5e	SF/UTP	4x2x0,54 (AWG24)	x				

System Warranty



5.2. Modules, data sockets

Art.No.	Product	Categorie	Features	For cabling links				
				ISO/IEC Class D / TIA/EIA Cat. 5e	ISO/IEC Class E / TIA/EIA Cat. 6	ISO/IEC Class E _A / TIA/EIA Cat. 6A	ISO/IEC Class F	ISO/IEC Class F _A
1408502	PS-TERA 4P Module Cat.7 _A	7 _A	metall	x	x	x	x	x
400102	PS-GG45 Module Cat.7A	7 _A	metall	x	x	x	x	x
390250	RJ45 Module MS-C6 _A 1/8 Cat.6 _A (IEC)	6 _A	metall	x	x	x		
309249	RJ45 Modul MS-C6 _A 1/8 Cat.6 _A (IEC) -K Keystone	6 _A	metall	x	x	x		
185700	RJ45 Module MS 1/8 Cat. 6/E _A Colour Code TIA-A	6	metall	x	x			
1414227	RJ45 Module MS 1/8 Cat. 6/E _A Colour Code TIA-B	6	metall	x	x			
440004	RJ45-Module MS-K Plus 1/8 Cat.6 _A (IEC) TIA-A	6 _A	metall	x	x	x		
440001	RJ45 Module MS-K 1/8 Cat. 6/E _A Colour Code TIA-A	6	metall	x	x			
440003	RJ45 Module MS-K 1/8 Cat. 6/E _A Colour Code TIA-B	6	metall	x	x			
440000	RJ45 Module MS-N 1/8 Cat. 6/E _A Colour Code TIA-A	6	metall	x	x			
418054	RJ45 Module KS-TS 6 1/8 Cat.6/10G	6	metall	x	x			
418061	RJ45 Module KS-T Plus 1/8 Cat.6 _A (IEC)	6 _A	metall	x	x	x		
418060	RJ45 Module KS-T Cat. 6/E _A	6	metall	x	x			
418055	RJ45 Module KS-T5 Cat. 5e	5e	metall	x				
418050	RJ45 Module KS 1/8 Cat.6	6	metall	x	x			
418051	RJ45 Module KS 1/8 Cat.5e	5e	metall	x				
417960	DD CSD Plus 2/8 K Cat. 6 _A	6 _A	incl. central plate RAL 9010	x	x	x		
417961	DD CSD Plus 2/8 K Cat. 6 _A	6 _A	incl. central plate RAL 1013	x	x	x		
417962	DD CSD Plus 2/8 K Cat. 6 _A	6 _A	without central plate	x	x	x		
417963	DD CSD Plus 2/8 U Cat. 6 _A	6 _A	without central plate	x	x	x		
417964	DD CSD Plus 2/8 U Cat. 6 _A	6 _A	incl. central plate RAL 9010	x	x	x		
417965	DD CSD Plus 2/8 U Cat. 6 _A	6 _A	incl. central plate RAL 1013	x	x	x		
417966	DD CSD Plus 2/8 U Cat. 6 _A	6 _A	incl. central plate RAL 9005	x	x	x		
417967	DD CSD Plus 1/8 U Cat. 6 _A	6 _A	without central plate	x	x	x		
435060	DD CSA Plus 2/8 U Cat. 6 _A	6 _A	incl. central plate RAL 9010	x	x	x		
435061	DD CSA Plus 2/8 U Cat. 6 _A	6 _A	incl. central plate RAL 1013	x	x	x		
435067	DD CSA Plus 1/8 U Cat. 6 _A	6 _A	incl. central plate RAL 9010	x	x	x		
435068	DD CSA Plus 1/8 U Cat. 6 _A	6 _A	incl. central plate RAL 1013	x	x	x		

System Warranty



5.3. Patch Panels

				For cabling links				
Art.No.	Product	Categorie	Features	ISO/IEC Class D / TIA/EIA Cat. 5e	ISO/IEC Class E / TIA/EIA Cat. 6	ISO/IEC Class E _A / TIA/EIA Cat. 6A	ISO/IEC Class F	ISO/IEC Class F _A
417980	PP CSA Plus 24/8 Cat.6 _A (IEC)	6 _A	metall	x	x	x		
418006	PP CSP 24/8 Cat.6 in RAL 7035	6	metall	x	x			
418007	PP CSP 24/8 Cat.6 in RAL 9005	6	metall	x	x			

System Warranty



Unshielded systems

5.4. Cables

					For cabling links	
Art.No.	Product	Categorie	Features		ISO/IEC Class D / TIA/EIA Cat. 5e	ISO/IEC Class E / TIA/EIA Cat. 6
240129	CU 662 4P U/UTP CAT6 FRNC/LSOH OR 305m	6	U/UTP	4x2x0,55 (AWG24)	x	x
240140	CU 662 4P U/UTP CAT6 FRNC/LSOH OR 500m	6	U/UTP	4x2x0,55 (AWG24)	x	x
240141	CU 662 4P U/UTP CAT6 FRNC/LSOH OR 1000m	6	U/UTP	4x2x0,55 (AWG24)	x	x
240136	CU 662 4P U/UTP CAT6 FR/PVC GR 305m	6	U/UTP	4x2x0,55 (AWG24)	x	x
240137	CU 662 4P U/UTP CAT6 FR/PVC GR 500m	6	U/UTP	4x2x0,55 (AWG24)	x	x
240139	CU 662 4P U/UTP CAT6 FR/PVC GR 1000m	6	U/UTP	4x2x0,55 (AWG24)	x	x
240133	CU 502 4P U/UTP CAT5E FRNC/LSOH OR 305m	5	U/UTP	4x2x0,51 (AWG24)	x	
240134	CU 502 4P U/UTP CAT5E FRNC/LSOH OR 500m	5	U/UTP	4x2x0,51 (AWG24)	x	
204135	CU 502 4P U/UTP CAT5E FRNC/LSOH OR 1000m	5	U/UTP	4x2x0,51 (AWG24)	x	
240130	CU 502 4P U/UTP CAT5E PVC GR 305m	5	U/UTP	4x2x0,51 (AWG24)	x	
240131	CU 502 4P U/UTP CAT5E PVC GR 500m	5	U/UTP	4x2x0,51 (AWG24)	x	
240132	CU 502 4P U/UTP CAT5E PVC GR 1000m	5	U/UTP	4x2x0,51 (AWG24)	x	

System Warranty



5.5. Modules

				For cabling links	
Art.No.	Product	Categorie	Features	ISO/IEC Class D / TIA/EIA Cat. 5e	ISO/IEC Class E / TIA/EIA Cat. 6
185750	RJ45 Module MU 1/8 Cat. 6 Color Code TIA-A	6	w hite	x	x
185751	RJ45 Module MU 1/8 Cat. 6 Color Code TIA-B	6	w hite	x	x
418070	RJ45 Module KU-T 1/8 Cat. 6	6	w hite	x	x
418071	RJ45 Module KU-T 1/8 Cat. 6	6	black	x	x
418072	RJ45 Module KU-T 1/8 Cat. 5e	5e	w hite	x	
418073	RJ45 Module KU-T 1/8 Cat. 5e	5e	black	x	
418080	RJ45 Module KU 1/8 Cat.6	6	w hite	x	x
418081	RJ45 Module KU 1/8 Cat.6	6	black	x	x
418082	RJ45 Module KU 1/8 Cat.5e	5e	w hite	x	
418083	RJ45 Module KU 1/8 Cat.5e	5e	black	x	

System Warranty



5.6. Patch Panels

				For cabling links	
Art.No.	Product	Categorie	Features	ISO/IEC Class D / TIA/EIA Cat. 5e	ISO/IEC Class E / TIA/EIA Cat. 6
414727	PP CU 24/8 Cat.6	6	metall	x	x
418005	PP CUP 24/8 Cat.6 RAL 9005	6	metall	x	x