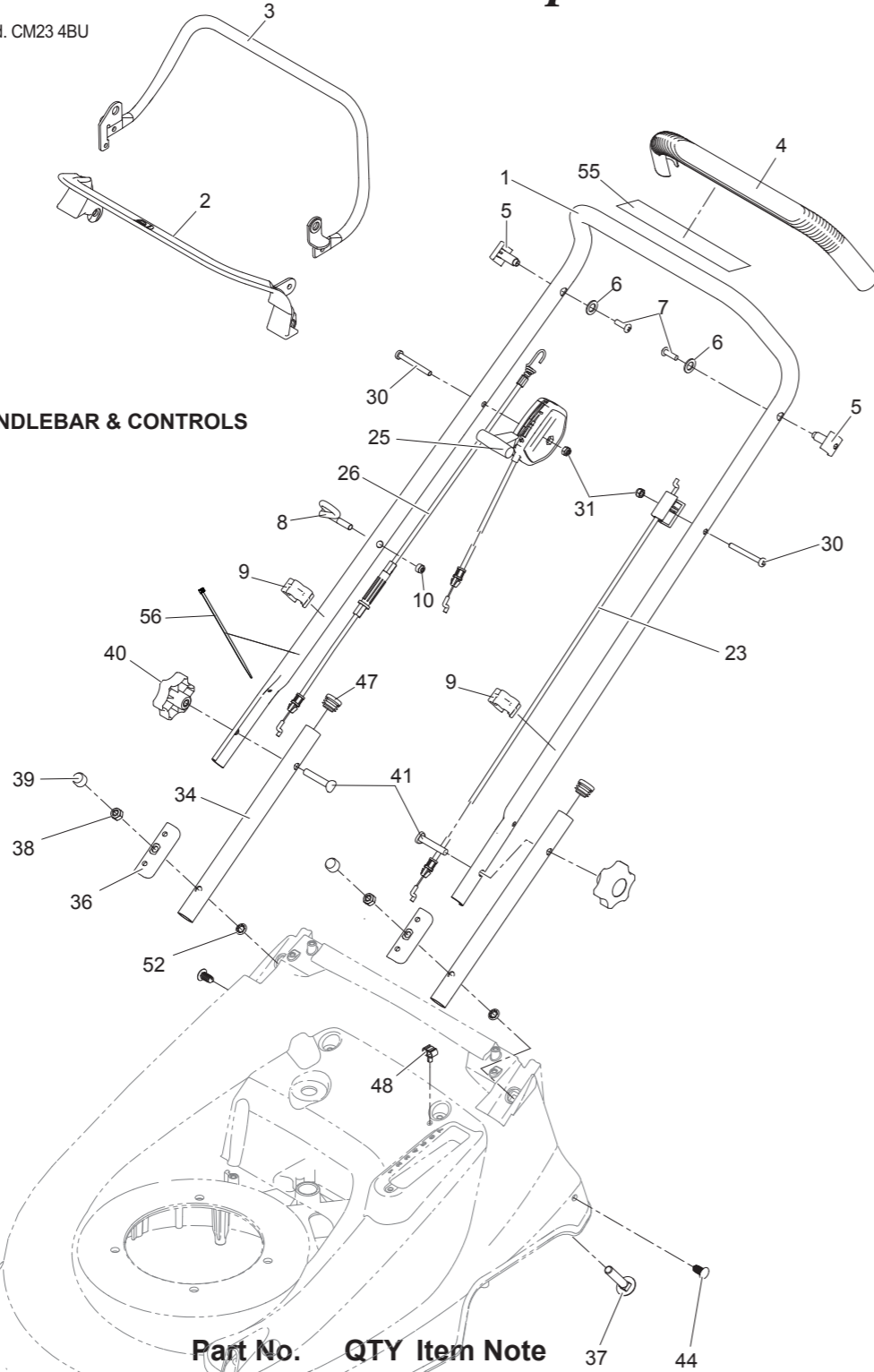


Original Version: EN
Issue : 28/11/18
Codes: CODE474A, AD, VS
From Serial: 404000000 and up
134-3349 Rev B

Harrier 48 - Spare Parts List

HANDLEBAR & CONTROLS



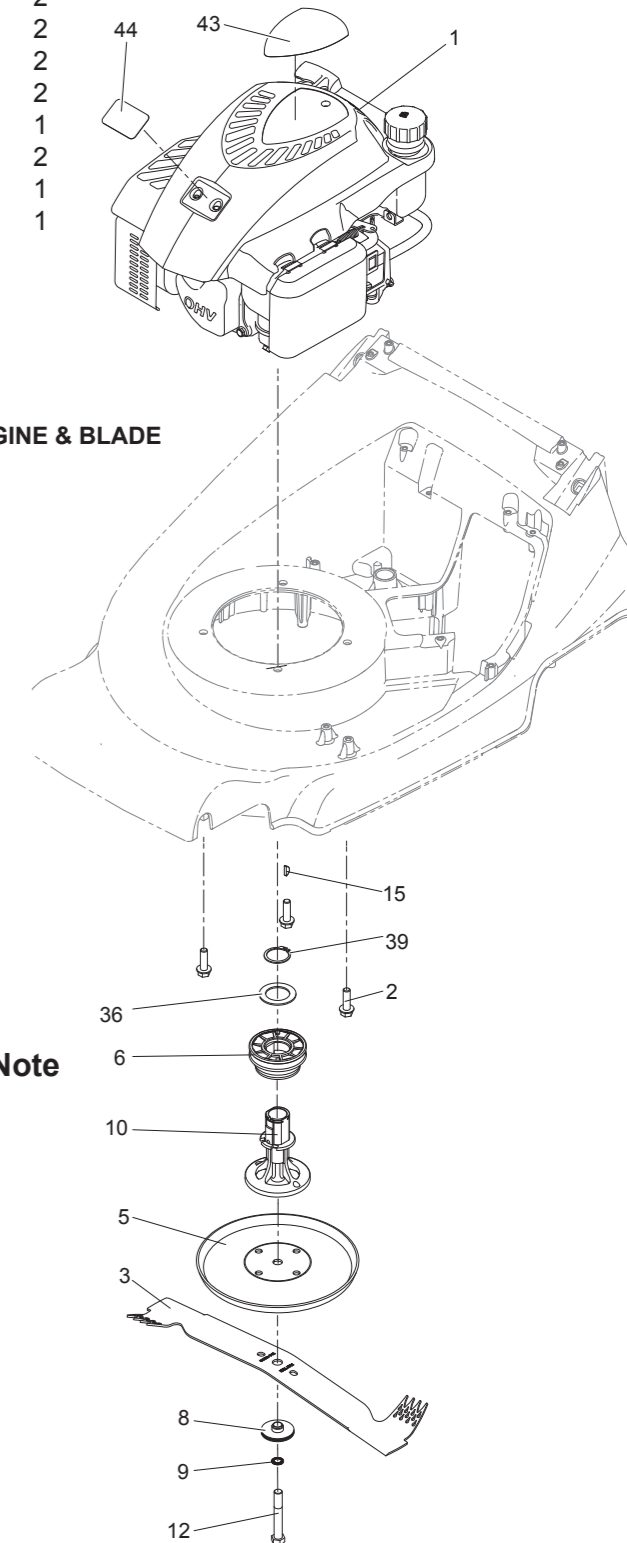
HANDLEBAR & CONTROLS

Item No	Description	Part No.	QTY	Item Note
1	UPPER HANDLEBAR	134-3571-03	1	
2	OPC LEVER - ENGINE	111-9662	1	
3	CLUTCH LEVER - GEARBOX	111-9381-03	1	
4	HANDLE SOFT GRIP	111-8716	1	
5	PIN-PIVOT	340182	2	
6	WASHER-NYLON	09688	2	
7	SCREW	09687	2	
8	GUIDE-ROPE	134-3569	1	
9	CABLE GUIDE	410037	2	
10	NUT HEX	09544	1	
23	CABLE ENGINE BRAKE	134-2634	1	
25	CABLE VARIATOR	134-2552	1	

HANDLEBAR & CONTROLS

Item No	Description	Part No.	QTY	Item Note
26	CABLE CLUTCH	134-0304	1	
30	SETSCREW	09780	2	
31	NUT-NYLOC	09438	2	
32	BOLT	05010	1	
33	NUT-HEX	137-3088	1	
34	HANDLEBAR LOWER	111-9837-03	2	
36	PLATE-CLAMP HANDLEBAR	340028	2	
37	BOLT-COACH	09379	2	
38	NUT-HEX	09441	2	
39	CAP-NUT	HY234051	2	
40	KNOB-HANDLEBAR	480088	2	
41	BOLT-HANDLEBAR	HY226024	2	
44	PLASTIC FIR TREE RIVET	111-9831	2	
47	PLUG-TUBE	300160	2	
48	TWIN CONDUIT CLIP	111-8696	1	
52	GRIP-FIX	04020	2	
55	TAPE - TOFFEE	134-3328	1	
56	CABLE TIE	HY3966	1	

ENGINE & BLADE

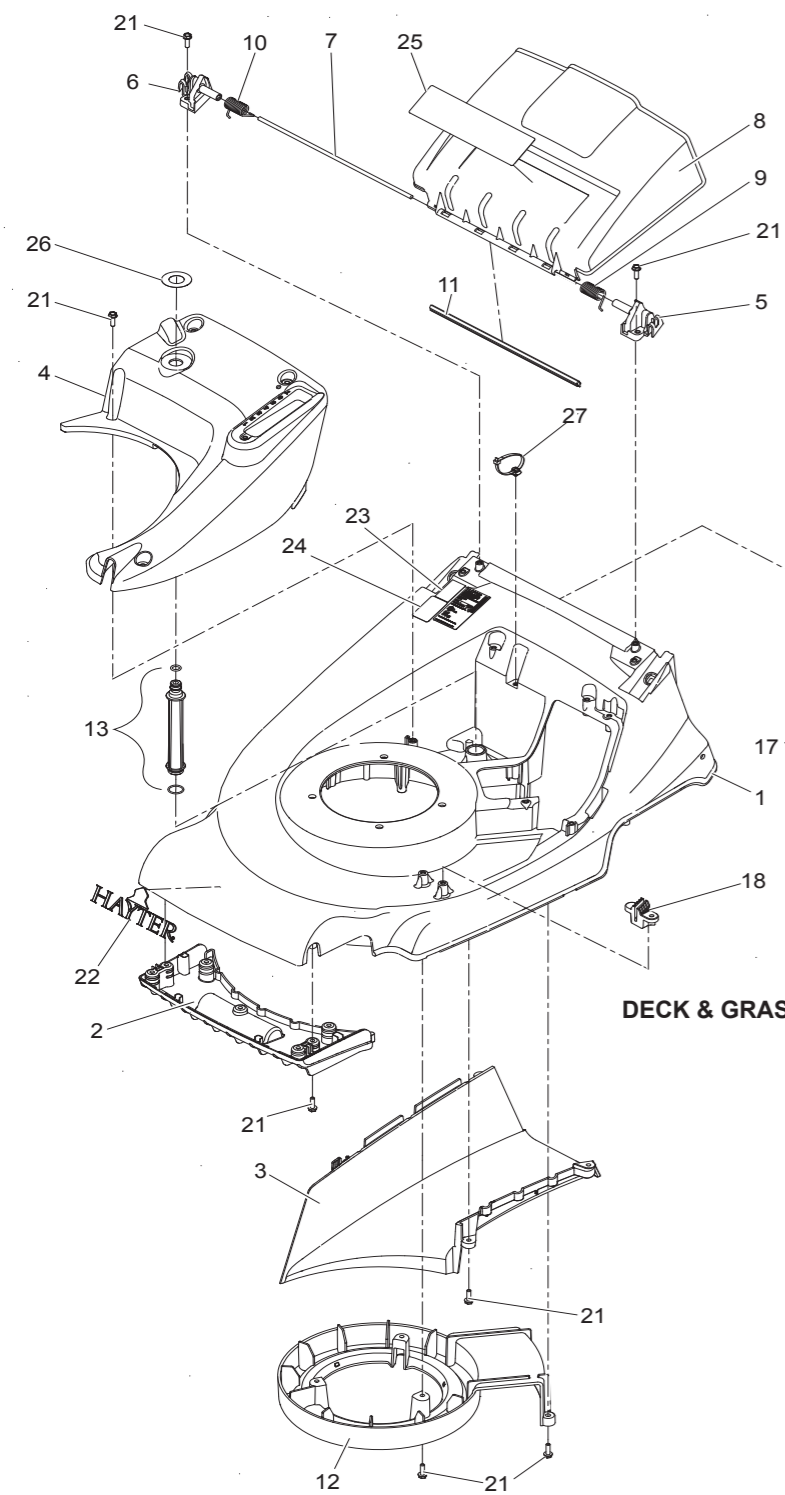


ENGINE & BLADE

Item No	Description	Part No.	QTY	Item Note
1	ENGINE-1P65FC	136-7908	1	
2	SCREW-TAPTITE	09349	3	
3	CUTTERBAR 48CM	134-3161	1	
5	DISC-FRICTION	410057W	1	
6	VARIO 782 ENGINE PULLEY	134-2714	1	
8	DISTANCE PIECE CUTTERBAR	134-2838	1	
9	WASHER LOCK	134-3301	1	
10	BOSS AUTODRIVE	134-2836	1	
12	BOLT	134-2887	1	
15	KEY-WOODRUFF	1662	1	
36	WASHER	134-2837	1	
39	CIRCLIP	134-2839	1	
43	DECAL ENGINE	134-2915	1	
44	DECAL GTS	134-2916	1	

DECK & GRASSBAG

Item No	Description	Part No.	QTY	Item Note
1	HARRIER 48 DECK	111-8612-08	1	
2	FRONT FINS	111-8613	1	
3	THROW PLATE	111-8614	1	
4	TOP TRIM	111-8615	1	
5	DEFLECTOR MOUNT LEFT	111-8541	1	
6	DEFLECTOR MOUNT RIGHT	111-8542	1	
7	DEFLECTOR ROD	111-8728	1	
8	REAR DEFLECTOR	111-8647	1	
9	DEFLECTOR SPRING LEFT	111-8543	1	
10	DEFLECTOR SPRING RIGHT	111-8544	1	
11	REAR DEFLECTOR SEAL	111-8648	1	
12	BELT COVER	111-8616	1	
13	WASHPORT ADAPTOR ASSY	111-8659	1	
16	FABRIC GRASSBAG	134-0396	1	
17	FRAME GRASSBAG	134-0395-03	1	
18	CON ROD SUPPORT	134-2255	1	
21	SCREW-TAPTITE	09575	22	
22	LOGO-HAYTER	134-0051	1	
23	MADE IN BRITAIN DECAL	111-7722	1	
24	DECAL - LIFETIME DECK WARRANTY	134-0090	1	
25	DECAL-SAFETY	134-2142	1	
26	DECAL-EASY WASH	111-9937	1	
27	FIR TREE CABLE TIE	134-2263	1	

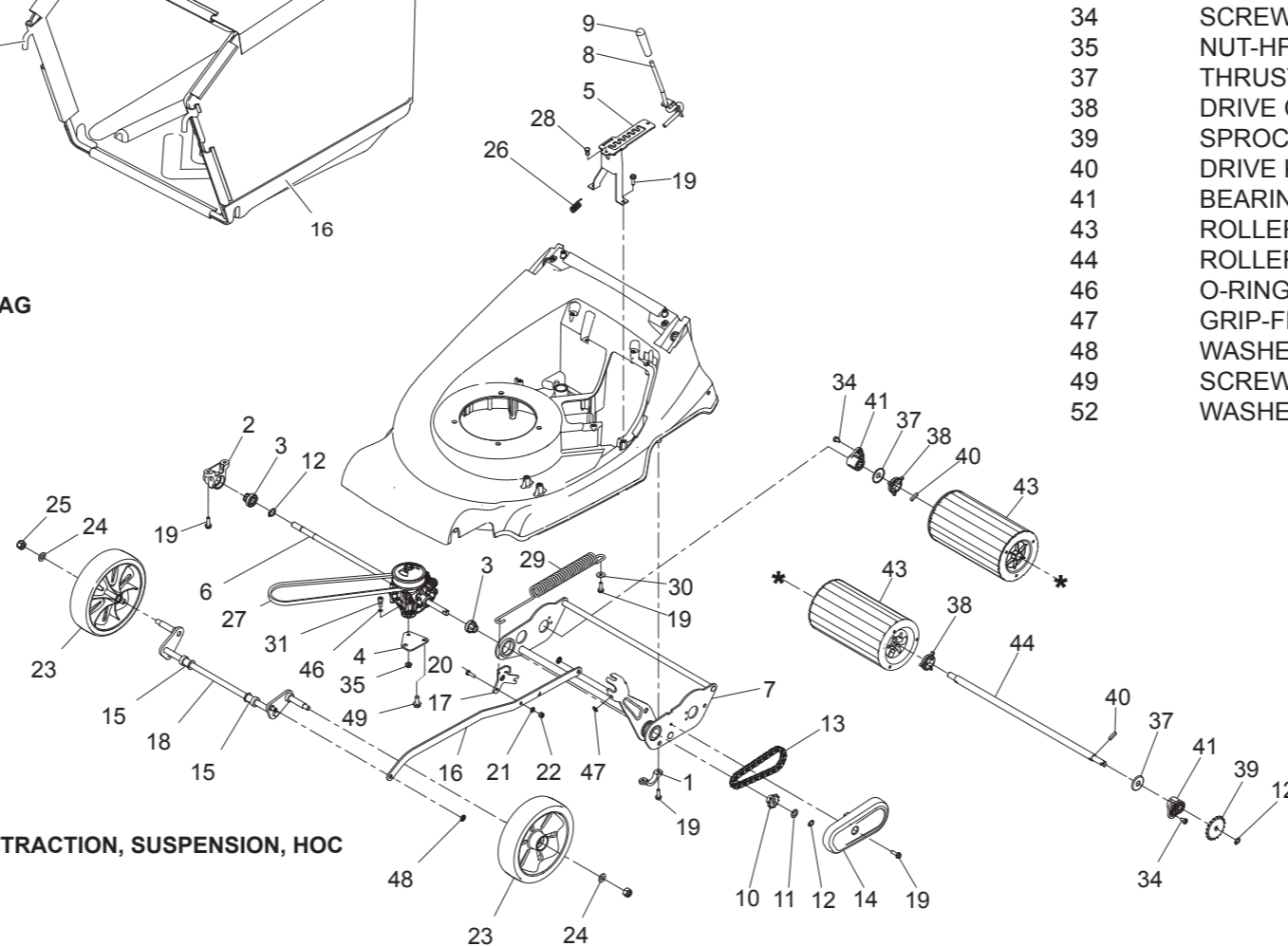


DECK & GRASSBAG

TRACTION, SUSPENSION, HOC

Item No	Description	Part No.	QTY	Item Note
1	REAR AXLE SUPPORT	111-8670	1	
2	REAR FRAME BEARING MOUNT	111-8576	1	
3	BEARING BALL 12MM	134-2889	2	
4	BRACKET GEARBOX	134-2260	1	
5	HOC TOWER ASSEMBLY	111-8675	1	
6	MC600 GEARBOX WITH VARI PULLEY	111-8731	1	
7	REAR AXLE FRAME ASSEMBLY	111-8623-03	1	
8	LEVER HOC ASSY	134-2282	1	
9	KNOB-HOC	480134	1	
10	SPROCKET 10T	134-3805	1	
11	THRUST WASHER	111-8216	1	
12	CIRCLIP EXTERNAL	134-0254	3	
13	CHAIN-40 PITCHES	134-2655	1	
14	CHAIN GUARD	134-3771	1	
15	BEARING-AXLE, FRONT	410069	2	
16	CONNECTING ROD	111-8729	1	
17	SPRING LOAD LEVER	134-2254	1	
18	FRONT AXLE ASSEMBLY	111-8617	1	
19	SCREW-TAPTITE	09575	11	
20	SCREW-HH	09363	1	
21	WASHER-PLAIN	09472	1	
22	NUT-NYLOC	09544	1	
23	WHEEL PVC TYRE	111-8858	2	
24	WASHER-PLAIN	09479	2	
25	NUT	09447	2	
26	SPRING-TORSION HOC	480132	1	
27	V BELT	111-8709	1	
28	PUSH RIVET - PLASTIC	134-0262	1	
29	SPRING COUNTER BALANCE	134-0388	1	
30	WASHER	09263	1	
31	SHOULDER BOLT	111-9762	1	
34	SCREW-TAPTITE	134-0050	4	
35	NUT-HF	137-3005	1	
37	THRUST WASHER	111-8602	2	
38	DRIVE CAM	134-2924	2	
39	SPROCKET 18T	134-3806	1	
40	DRIVE KEY	134-2034	2	
41	BEARING	134-0049	2	
43	ROLLER HALF ASSEMBLY	111-8720	2	
44	ROLLER SHAFT	111-8722	1	
46	O-RING	134-2791	1	
47	GRIP-FIX	04020	1	
48	WASHER-STARLOCK	0201086	2	
49	SCREW TAPTITE	134-2299	2	
52	WASHER THRUST	134-2623	1	

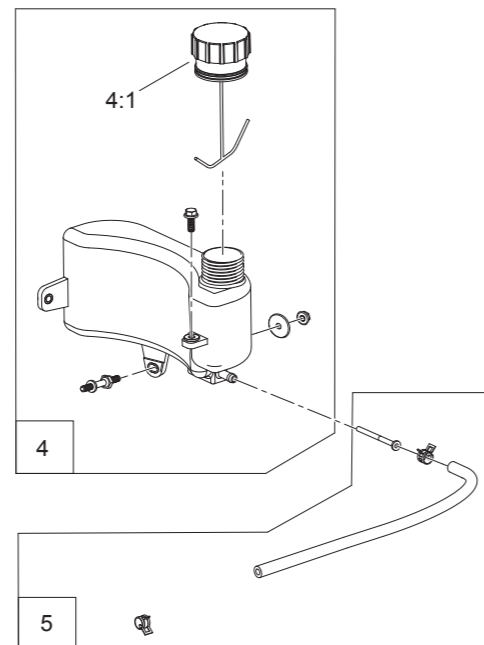
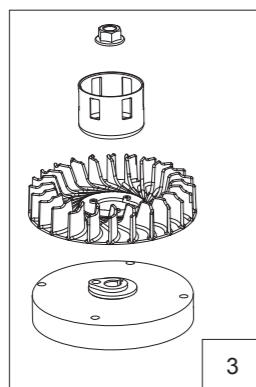
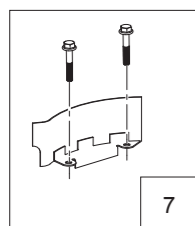
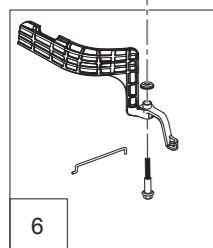
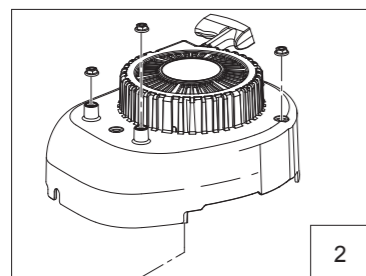
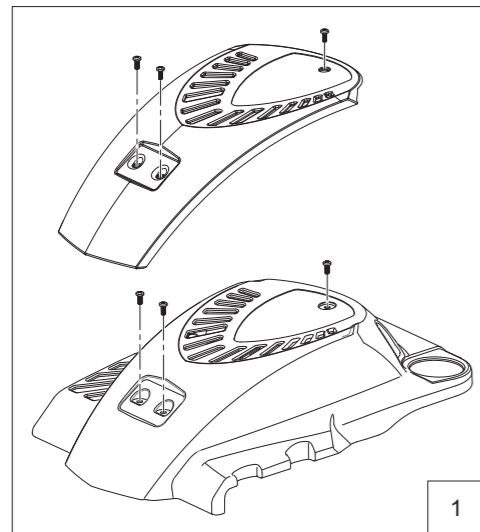
TRACTION, SUSPENSION, HOC



LC1P65FC Zone-Start Engine

Shroud, Flywheel and Fuel Tank Assembly

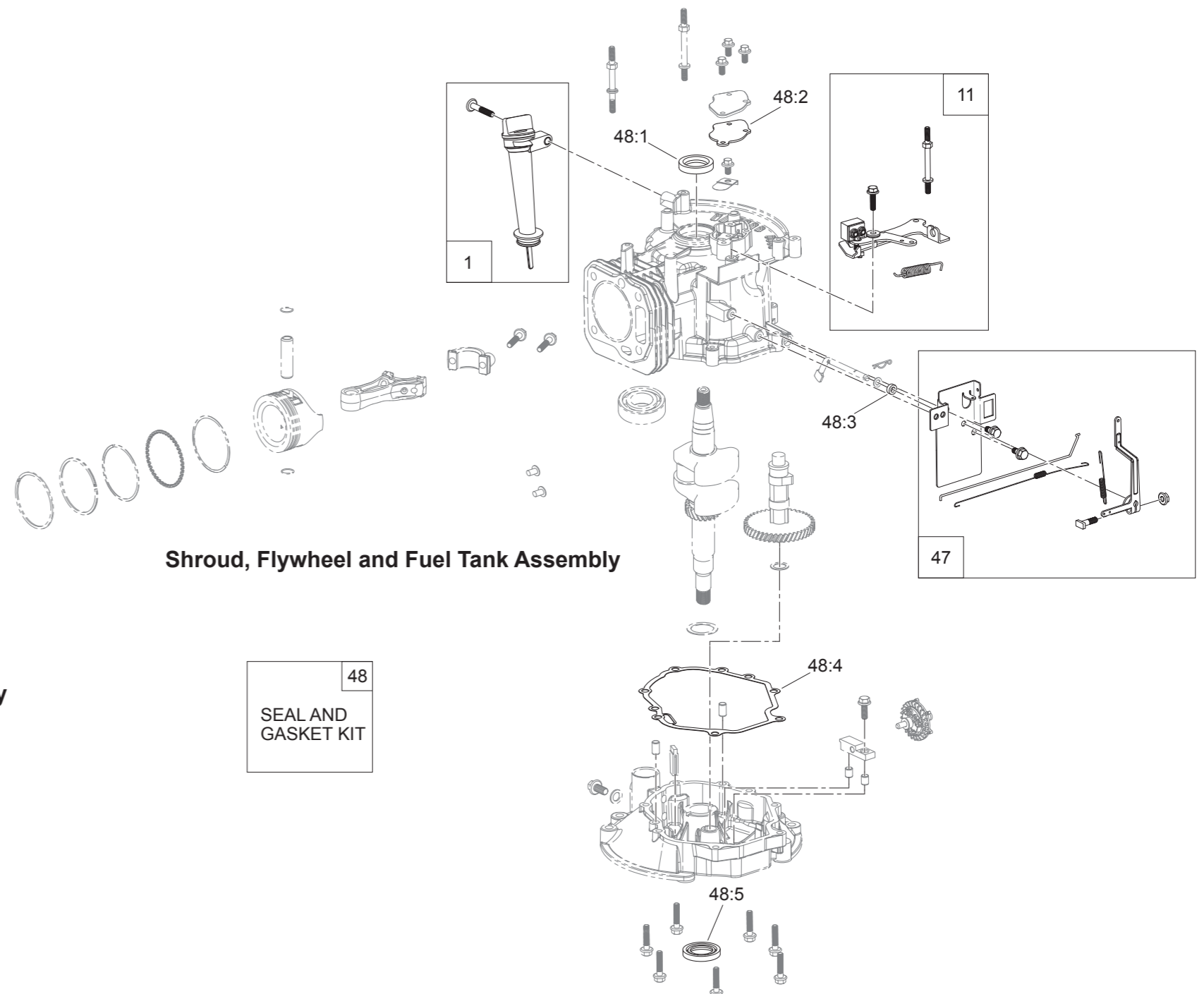
Item No	Description	Part No.	QTY	Item Note
1	SHROUD ASM (STYLE KIT)	119-1990	1	
2	RECOIL AND BLOWER SHROUD KIT	121-4160	1	
3	FLYWHEEL AND FAN KIT	119-1970	1	
4	FUEL TANK KIT	121-4162	1	
4:1	CAP-FUEL	121-4163	1	
5	FUEL LINE KIT	121-4167	1	
6	AIR VANE KIT	121-4168	1	
7	FLYWHEEL SHIELD KIT	119-1994	1	



Shroud, Flywheel and Fuel Tank Assembly

Dipstick, Brake and Governor Arm Assembly

Item No	Description	Part No.	QTY	Item Note
1	DIPSTICK AND FILL TUBE KIT	121-4279	1	
11	BRAKE ASM RECOIL KIT	119-1991	1	
47	GOVERNOR ARM KIT	119-1968	1	
48	SEAL AND GASKET KIT	127-9144	1	
48:1	SEAL OIL	121-0019	1	
48:2	GASKET BREATHER	121-0020	1	
48:3	SEAL OIL	121-0021	1	
48:4	GASKET COVER CASE	120-4459	1	
48:5	SEAL OIL	121-0022	1	



Shroud, Flywheel and Fuel Tank Assembly

48
SEAL AND
GASKET KIT

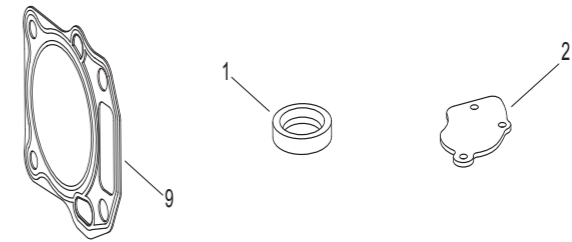
LC1P65FC Zone-Start Engine

Dipstick and Gasket Assembly

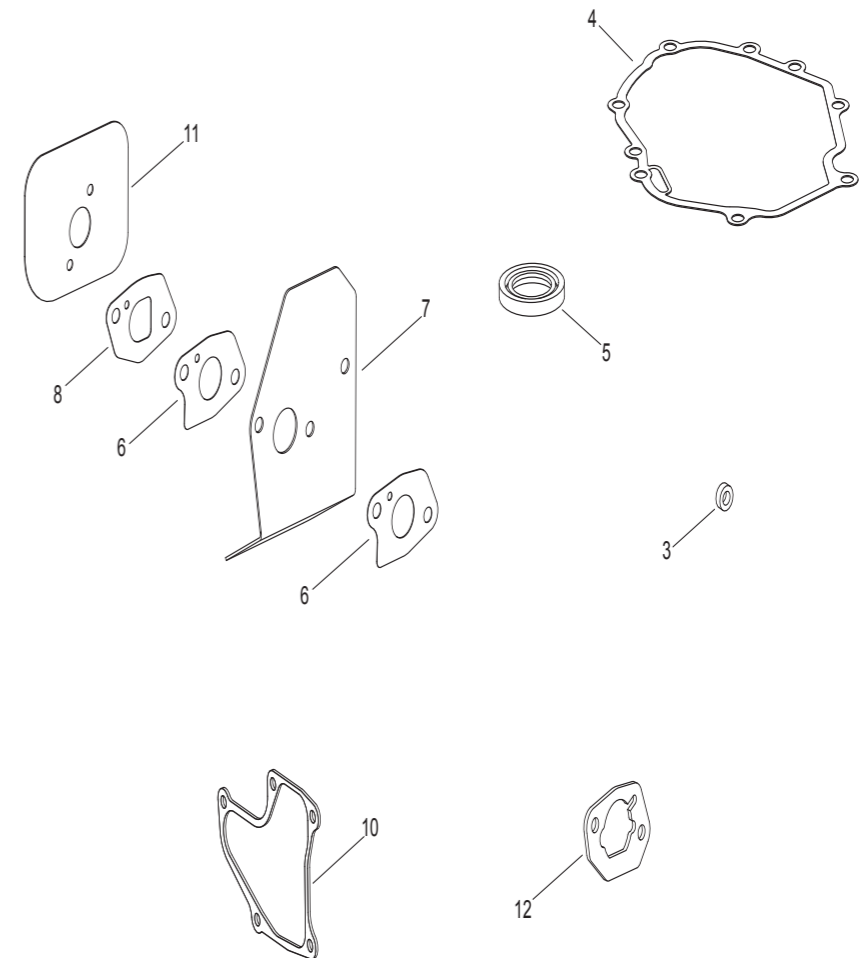
Item No	Description	Part No.	QTY	Item Note
1	THERMAL CONTROL KIT	121-4175	1	
4	LOCK-THROTTLE	120-4451	1	
6	ROD-PUSH	121-4193	2	
9	TUBE-BREATHER	119-1902	1	
10	AIR FILTER AND PREFILTER KIT	119-1909	1	
11	AIR CLEANER ASM KIT	121-4177	1	
12	CARB REPLACEMENT KIT	136-7907	1	
13	STUD-INTAKE	121-0367	2	
15	BOLT-FLANGE	121-0043	4	
16	INTAKE ROCKER ARM ASM	136-7869	1	
17	EXHAUST ROCKER ARM ASM	136-7868	1	
23	SPARK PLUG	121-0187	1	
24	IGNITION ASM	136-7912	1	
25	MUFFLER AND SHIELD KIT	121-4277	1	
26	STUD-EXHAUST	121-0045	2	
27	VALVE COVER KIT	121-4188	1	
48	SEAL AND GASKET KIT	127-9144	1	
48:6	GASKET CARBURETOR	121-4184	2	
48:7	INSULATOR CARBURETOR	120-4446	1	
48:8	GASKET INTAKE	121-4183	1	
48:9	GASKET HEAD	121-4197	1	
48:10	GASKET VALVE COVER	121-4190	1	
48:11	GASKET EXHAUST	121-0034	1	
49	COMPLETE HEAD ASM	136-7915	1	
50	INTERNAL CARB KIT WITH GASKETS	127-9146	1	
99	HIGH ALTITUDE KIT	121-4242	1	

Seal and Gasket Kit No. 127-9144

Item No	Description	Part No.	QTY	Item Note
1	SEAL OIL	121-0019	1	
2	GASKET BREATHER	121-0020	1	
3	SEAL OIL	121-0021	1	
4	GASKET COVER CASE	120-4459	1	
5	SEAL OIL	121-0022	1	
6	GASKET CABURETOR	121-4184	1	
7	INSULATOR CARBURETOR	120-4446	1	
8	GASKET INTAKE	121-4183	1	
9	GASKET HEAD	121-4197	1	
10	GASKET VALVE COVER	121-4190	1	
11	GASKET EXHAUST	121-0034	1	
12	GASKET AIR CLEANER	121-4179	1	



Seal and Gasket Kit No. 127-9144



Dipstick and Gasket Assembly

