



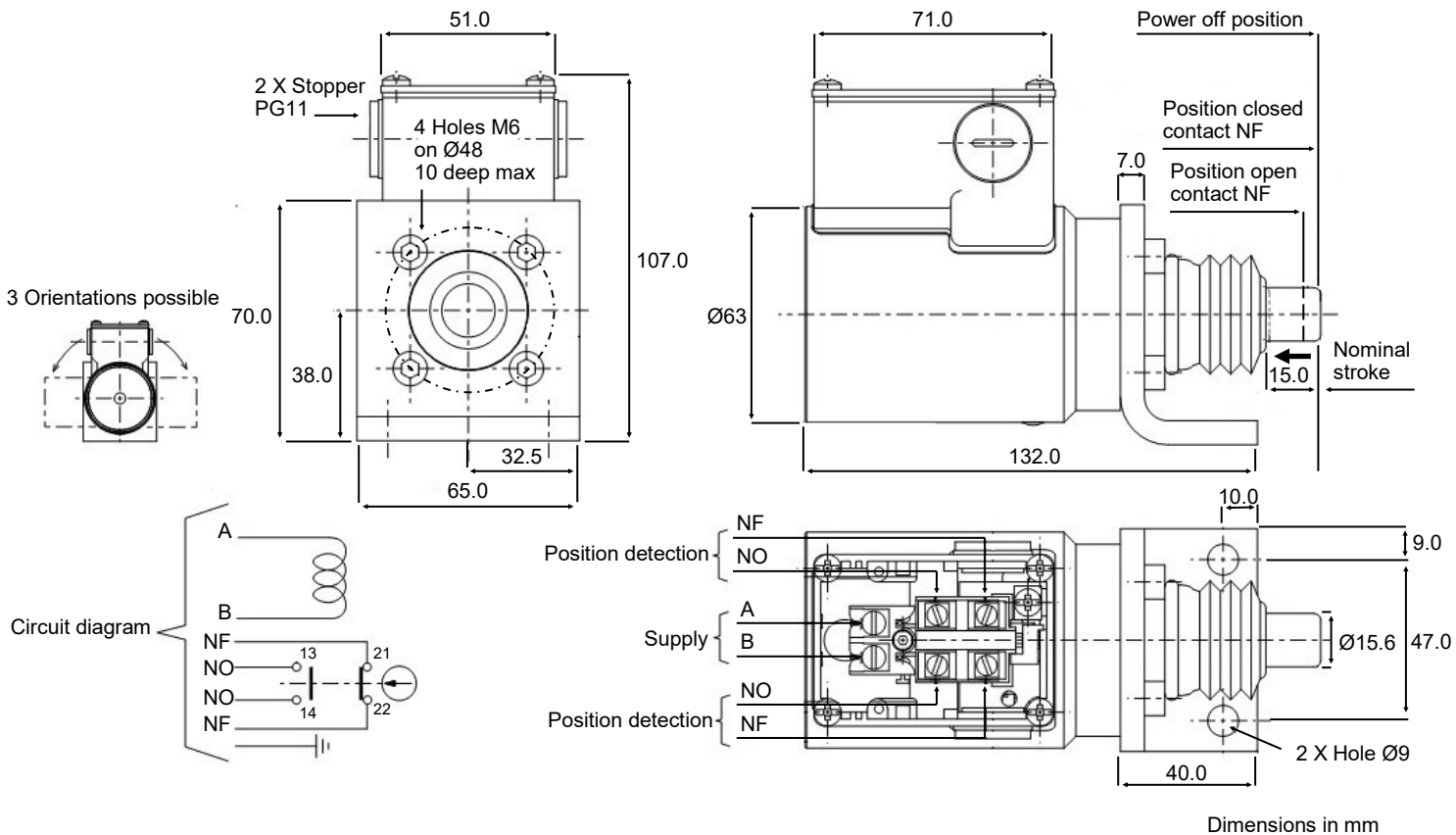
**B.28PM65  
SHOTBOLT SOLENOID  
LOCKING POWER OFF  
WITH POSITION MONITORING  
IP65**

**BDC.28PM65 and BAC.28PM65**

- Maximum radial force: **400kg**
- Plunger output and input force: **1Kg**
- Stroke: **15mm**
- Mounting in all positions.
- Standard voltage: **24V DC - 115V, 230V AC (-10%, +5%)**
- Possible voltages: **12V - 220V DC**  
**110V - 230V AC (-10%, +5%)**
- Power: **32W-100% (Permanent service)**
- Return spring: **Internal**
- Position monitoring with NC safety switch
- According to standards: **EN 60947-5-1**
- AC 15 : 240 / 3A
- DC 13 : 24V / 0.55A (L/R = 75ms)
- Protection rating: **IP65**
- Service operating temperature: **-5°C, +40°C**
- Thermal class: **B**
- Total weight: **2.4Kg**

**Example of use:**

Securing dangerous machines according to standards EN292, EN1088, EN60204-1 and EN60947-5-1.  
Locking moving guards or doors accessing dangerous areas in dusty or humid atmospheres.



We reserve the right to alter or amend designs without prior notice.

B28PM65 Rev 2 - 2017

**HE & BS Benson Ltd**

**1 Laureate Industrial Estate, Exning Road, Newmarket, Suffolk UK CB8 0AR**

**T. +44(0)1638 663535 — 663130 F. +44(0)1638 667434 E. sales@hebsenson.co.uk www.hebsenson.co.uk**