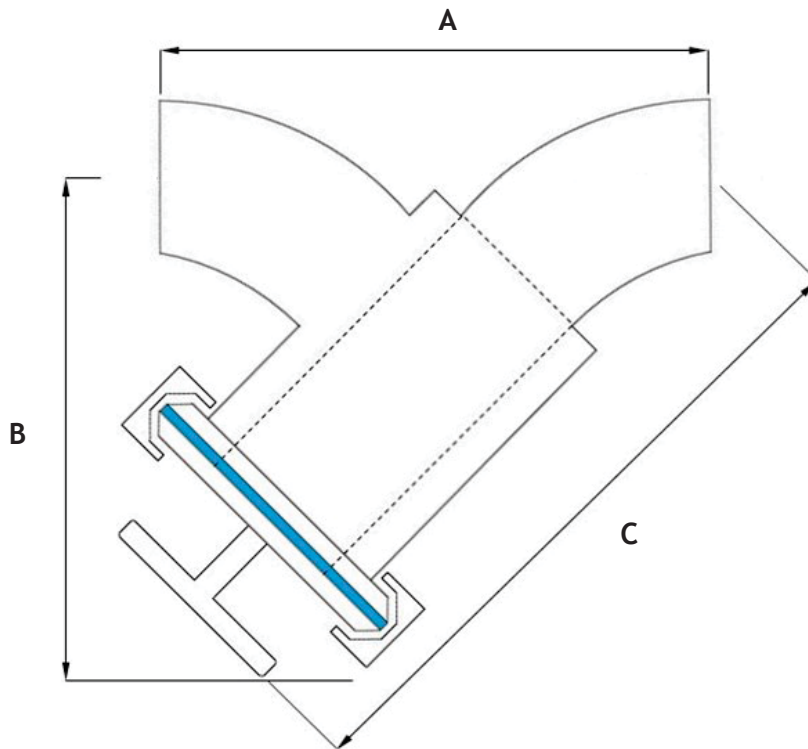




**BDE (NORTHAMPTON) LTD**

## HYGIENIC Y PATTERN STRAINER 316



- PUMP PROTECTION Y TYPE STRAINER 316**

SIZE	1"	1.5"	2"	2.5"	3"	4"	6"
<b>A</b>	307.0	277.0	201.0	370.0	290.0	540.0	473.0
<b>B</b>	200.0	200.0	200.0	250.0	250.0	360.0	400.0
<b>C</b>	263.0	263.0	263.0	367.0	367.0	510.0	550.0

The Y pattern strainer is designed specifically to remove potentially damaging debris before it passes through the pump, However it is now widely used as a strainer for coarse particles entering product lines, It is designed to fit into confined spaces, as well as for ease of cleaning and the changing of elements.

**PUMP PROTECTION "Y" STRAINER INFORMATION:**

- Designed & Manufactured by BDE - from 316 Stainless Steel
- Pump Protection Assembly consists of: **1 x Element, 1 x Body, 1 x Single Hinged Clamp & 1 x Lipped EDPM Joint Ring.**
- To make either 1", 1.5" or 2.5" - A concentric cone will be used on a standard body.
- Shut off valves can be welded to the unit.
- Standard finish - 240 Grit ID & OD - Other finishes available on request
- Elements - We stock a wide range of perforated & wedge wire elements - See elements page (40-43)
- We strongly recommend ordering a replacement element to ease cleaning and to minimize line down time.
- ALTERNATIVE ENDS CAN BE WELDED TO CUSTOMER'S SPECIFICATIONS - **CLAMP/RJT/DIN/IDF OR SMS**

DUE TO CONTINUOUS DEVELOPMENT & INNOVATION, WE RESERVE THE RIGHT TO CHANGE THE DESIGN/DIMENSIONS WITHOUT PRIOR NOTICE

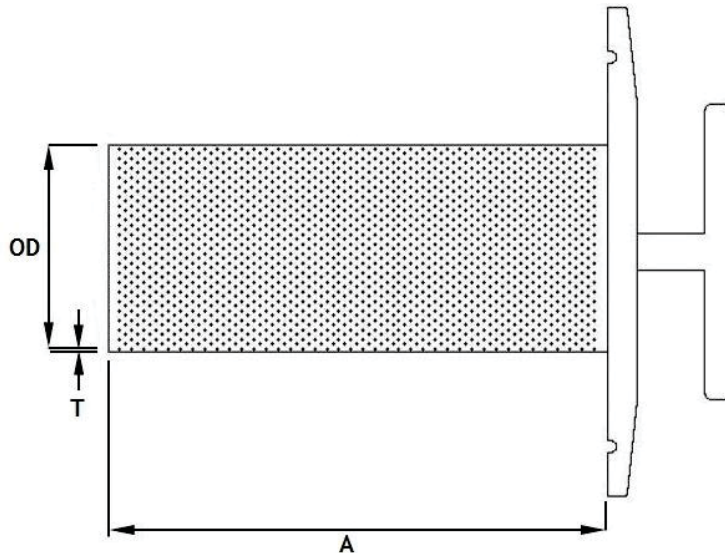
Tel: 01604 750380  
Email: sales@bdeltd.co.uk

Fax: 01604 750377  
www.bdeltd.co.uk

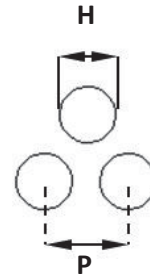


**BDE (NORTHAMPTON) LTD**

## Y PATTERN - PERFORATED ELEMENT



*Perforations:*



• **PUMP PROTECTION ELEMENTS - PERFORATED**

ITEM	OD	A	T	H	P	OPEN AREA %
2" PUMP ELEMENT - 1mm HOLE	46.5	130.0	0.8	1.0	2.0	22.7%
2" PUMP ELEMENT - 1.5mm HOLE	46.5	130.0	1.0	1.5	3.0	22.7%
2" PUMP ELEMENT - 2mm HOLE	46.5	130.0	1.0	2.0	4.0	22.7%
2" PUMP ELEMENT - 3mm HOLE	46.5	130.0	1.0	3.0	5.0	32.6%
2" PUMP ELEMENT - 4mm HOLE	46.5	130.0	1.0	4.0	6.0	40.3%
2" PUMP ELEMENT - 5mm HOLE	46.5	130.0	1.0	5.0	8.0	35.4%
3" PUMP ELEMENT - 1mm HOLE	72.0	205.0	0.8	1.0	2.00	22.7%
3" PUMP ELEMENT - 1.5mm HOLE	72.0	205.0	1.0	1.5	3.00	22.7%
3" PUMP ELEMENT - 2mm HOLE	72.0	205.0	1.0	2.0	4.00	22.7%
3" PUMP ELEMENT - 3mm HOLE	72.0	205.0	1.0	3.0	5.00	32.6%
3" PUMP ELEMENT - 5mm HOLE	72.0	205.0	1.0	5.0	8.00	40.3%
3" PUMP ELEMENT - 10mm HOLE	72.0	205.0	1.5	10.0	15.00	35.4%
4" PUMP ELEMENT - 1mm HOLE	97.0	238.0	1.0	1.0	2.00	22.7%
4" PUMP ELEMENT - 1.5mm HOLE	97.0	238.0	1.0	1.5	3.00	22.7%
4" PUMP ELEMENT - 2mm HOLE	97.0	238.0	1.0	2.0	4.00	22.7%
4" PUMP ELEMENT - 3mm HOLE	97.0	238.0	1.0	3.0	5.00	32.6%
4" PUMP ELEMENT - 10mm HOLE	97.0	238.0	1.0	10.0	15.00	35.4%
6" PUMP ELEMENT - 1mm HOLE	149.0	323.0	1.0	1.0	2.00	22.7%
6" PUMP ELEMENT - 1.5mm HOLE	149.0	323.0	1.0	1.5	3.00	22.7%
6" PUMP ELEMENT - 3mm HOLE	149.0	323.0	1.0	3.0	5.00	32.6%

- Manufactured by BDE - from 316 Stainless Steel
- **Element Assembly Consists of:**  
1 x Perf Element, 1 x Clamp Blank
- **Round Perforation:**  
Staggered Pitch @ 60 Degrees
- All Elements complete with 5mm boarder.
- Suitable for CIP & SIP systems.
- Rigid elements suitable for reverse flushing.
- Inner & outer fine mesh wrap can be supplied on request.
- **Flow:** In to Out (FITO)
- Other perforation sizes & patterns available on request.

DUE TO CONTINUOUS DEVELOPMENT & INNOVATION, WE RESERVE THE RIGHT TO CHANGE THE DESIGN/DIMENSIONS WITHOUT PRIOR NOTICE

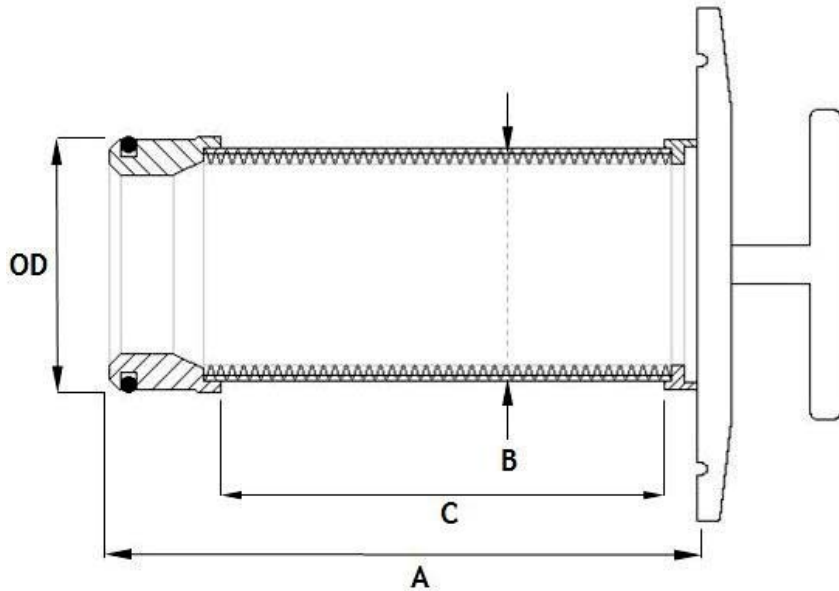
Tel: 01604 750380  
Email: sales@bdeltd.co.uk

Fax: 01604 750377  
www.bdeltd.co.uk



**BDE (NORTHAMPTON) LTD**

## Y PATTERN - WEDGE WIRE ELEMENT



• **PUMP PROTECTION ELEMENTS - WEDGE WIRE**

ITEM	OD	A	B	Micron	mm	OPEN AREA %
2" PUMP PROTECTION - 50 MICRON	48	133	45	50	0.050	5%
2" PUMP PROTECTION - 100 MICRON	48	133	45	100	0.100	9%
2" PUMP PROTECTION - 150 MICRON	48	133	45	150	0.150	13%
2" PUMP PROTECTION - 250 MICRON	48	133	45	250	0.250	20%
2" PUMP PROTECTION - 400 MICRON	48	133	45	400	0.400	20%
2" PUMP PROTECTION - 500 MICRON	48	133	45	500	0.500	33%
2" PUMP PROTECTION - 750 MICRON	48	133	45	750	0.750	43%
2" PUMP PROTECTION - 1000 MICRON	48	133	45	1000	1.00	50%
2" PUMP PROTECTION - 1500 MICRON	48	133	45	1500	1.50	60%
2" PUMP PROTECTION - 3000 MICRON	48	133	45	3000	3.00	75%
3" PUMP PROTECTION - 50 MICRON	72	208	70	50	0.050	5%
3" PUMP PROTECTION - 100 MICRON	72	208	70	100	0.100	9%
3" PUMP PROTECTION - 150 MICRON	72	208	70	150	0.150	13%
3" PUMP PROTECTION - 250 MICRON	72	208	70	250	0.250	20%
3" PUMP PROTECTION - 400 MICRON	72	208	70	400	0.400	20%
3" PUMP PROTECTION - 500 MICRON	72	208	70	500	0.500	33%
3" PUMP PROTECTION - 750 MICRON	72	208	70	750	0.750	43%
3" PUMP PROTECTION - 1000 MICRON	72	208	70	1000	1.00	50%
3" PUMP PROTECTION - 1500 MICRON	72	208	70	1500	1.50	60%
3" PUMP PROTECTION - 3000 MICRON	72	208	70	3000	3.00	75%

- Manufactured by BDE - Entirely from 316 Stainless Steel
- **Element Assembly Consists of:**  
1 x W/W Element, 1 x Clamp Blank, 1 x Element Seal (Nitrile)
- **Flow:** In to Out (FITO)
- Suitable for CIP & SIP systems.
- Rigid elements suitable for reverse flushing.
- EPDM Element seal can be supplied as an alternative.
- Other wedge wire sizes available on request.

DUE TO CONTINUOUS DEVELOPMENT & INNOVATION, WE RESERVE THE RIGHT TO CHANGE THE DESIGN/DIMENSIONS WITHOUT PRIOR NOTICE

Tel: 01604 750380  
Email: sales@bdeltd.co.uk

Fax: 01604 750377  
www.bdeltd.co.uk