



# Saf-T-Stor® Gas Cylinder Storage Cabinet Saf-T-Combo Assembly Instructions

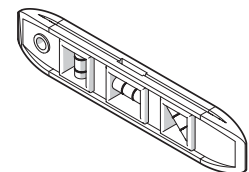
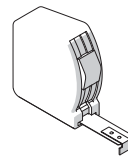
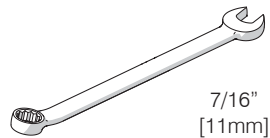
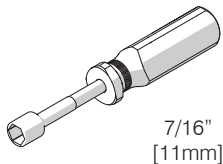
Providing Reliable Engineered Solutions

## TABLE OF CONTENTS:

- PAGE 1 | COVER, TOOLS REQ'D
- PAGE 2 | HARDWARE PROVIDED & PARTS LIST
- PAGE 3 | ASSEMBLY INSTRUCTIONS
- PAGE 4 | ASSEMBLY INSTRUCTIONS (CONTINUED)



## TOOLS REQUIRED:

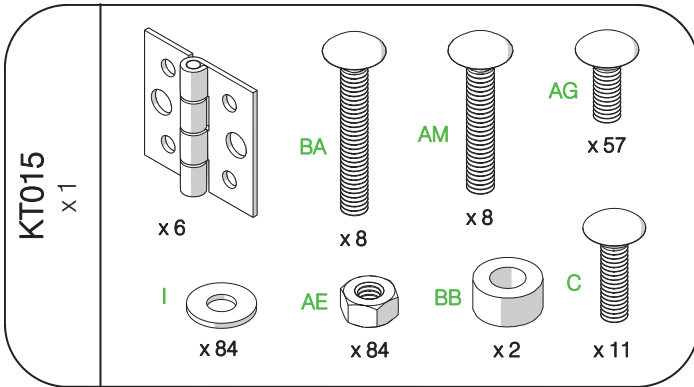


OPEN END WRENCH

MEASURING TAPE

LEVEL

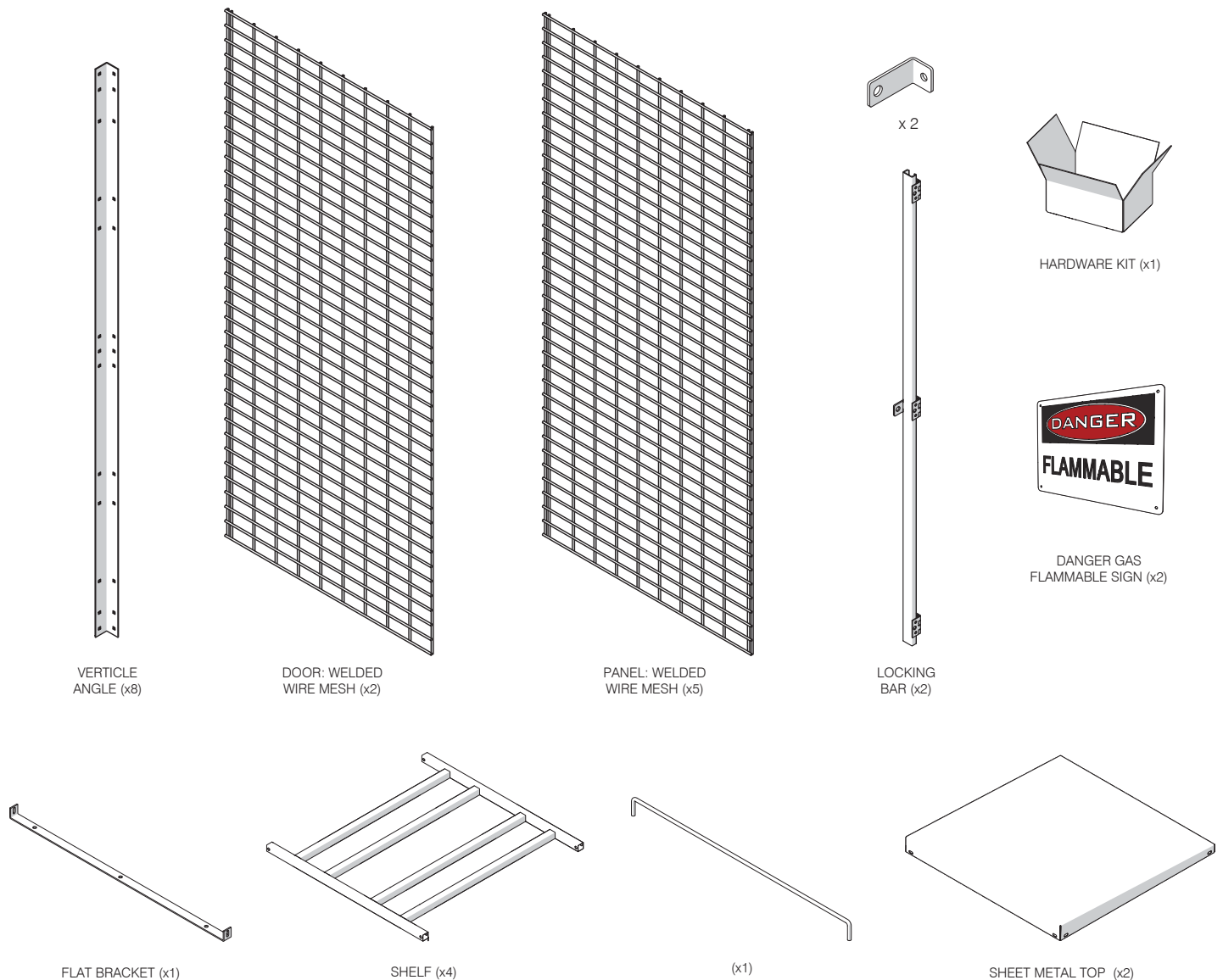
## HARDWARE PROVIDED:

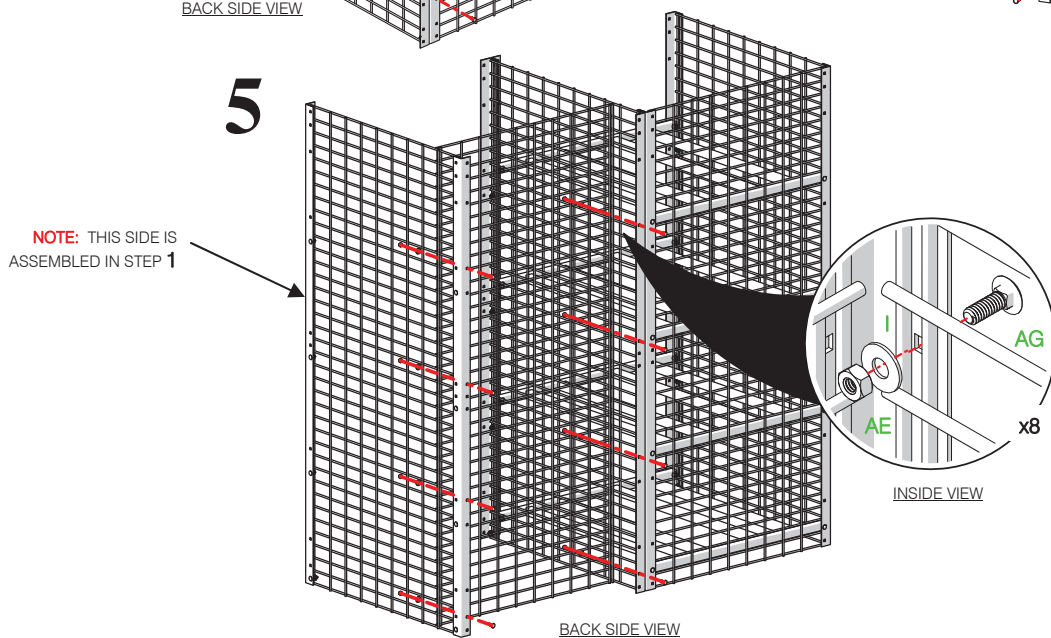
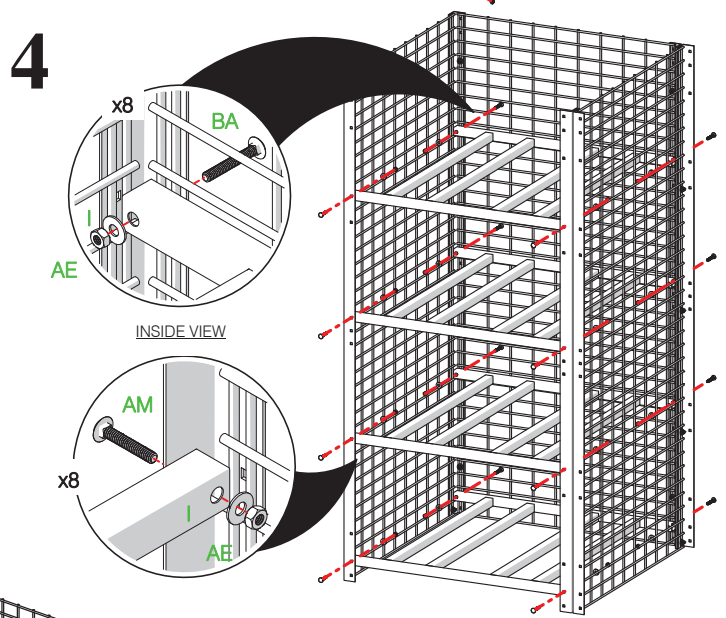
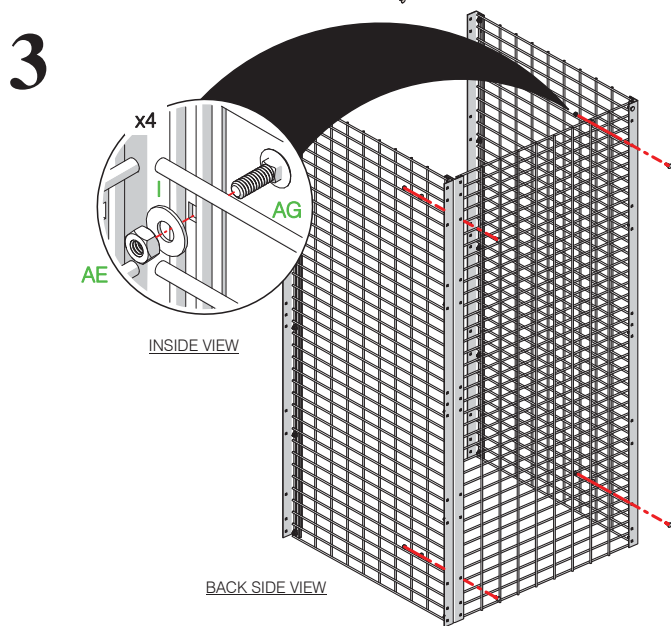
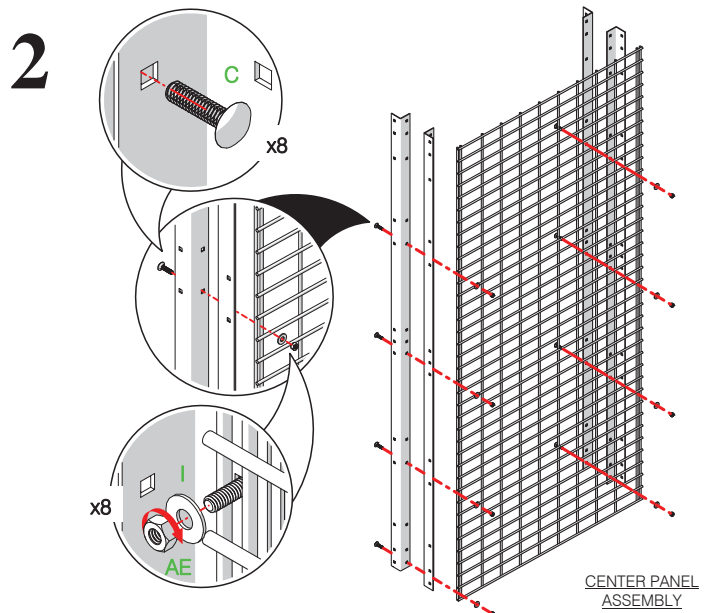
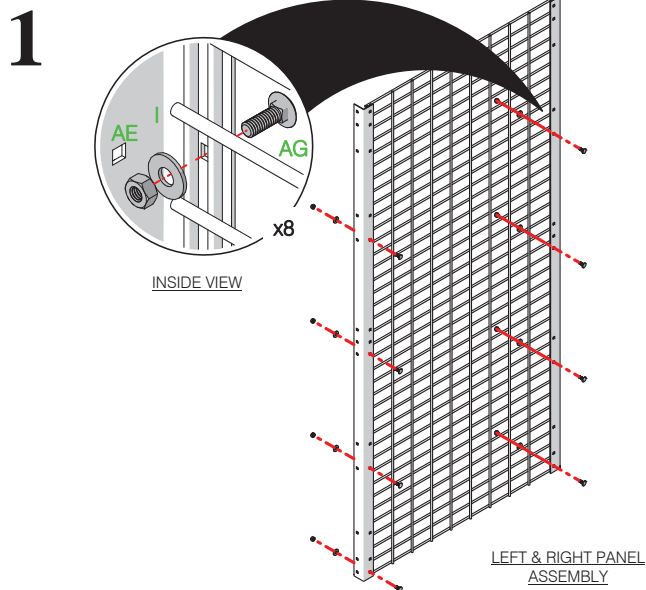


## HARDWARE LIST:

- (C) 1/4"-20 x 1" SQUARE NECK CARRIAGE BOLT
- (I) 1/4" FLAT WASHER
- (AE) 1/4"-20 HEX NUT
- (AG) 1/4"-20 x 3/4" SQUARE NECK CARRIAGE BOLT
- (AM) 1/4"-20 x 1-1/2" SQUARE NECK CARRIAGE BOLT
- (BA) 1/4"-20 x 1-3/4" SQUARE NECK CARRIAGE BOLT
- (BB) 1/4" LENGTH PLASTIC SPACER

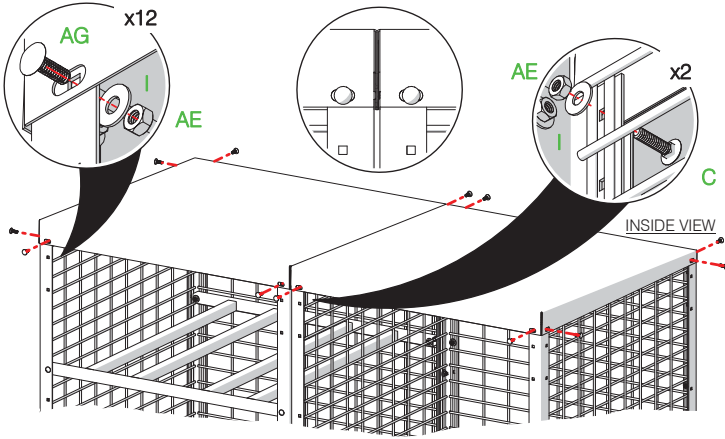
## PARTS LIST:





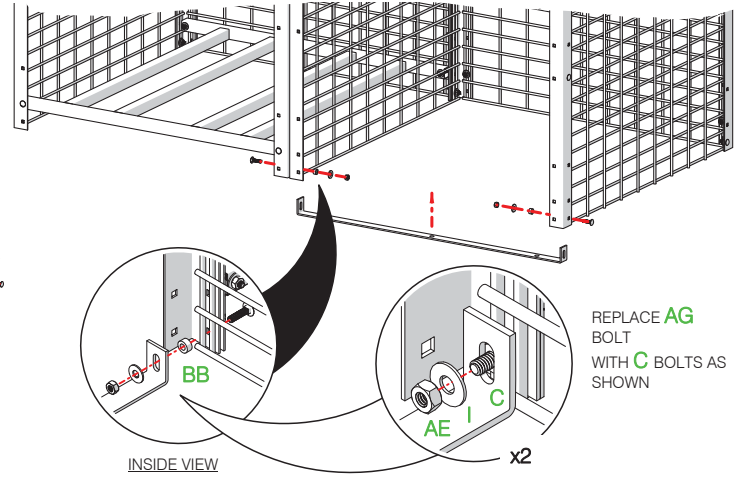
# 6

FRONT / TOP DETAIL



# 7

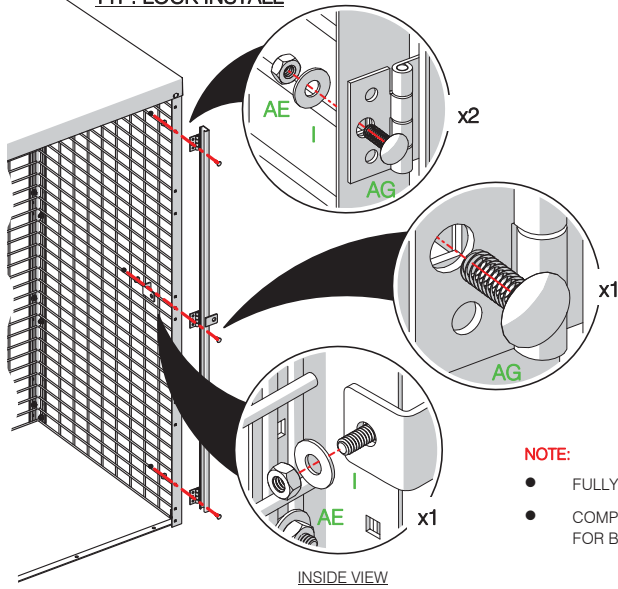
LOWER SPACER DETAIL



REPLACE **AG** BOLT WITH **C** BOLTS AS SHOWN

# 8

TYP. LOCK INSTALL

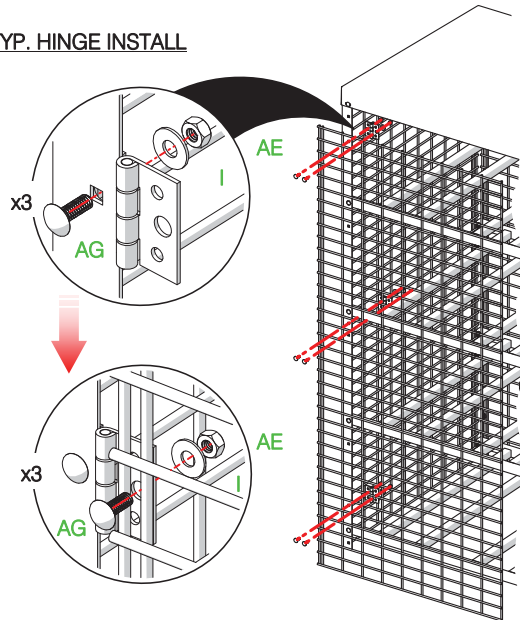


**NOTE:**

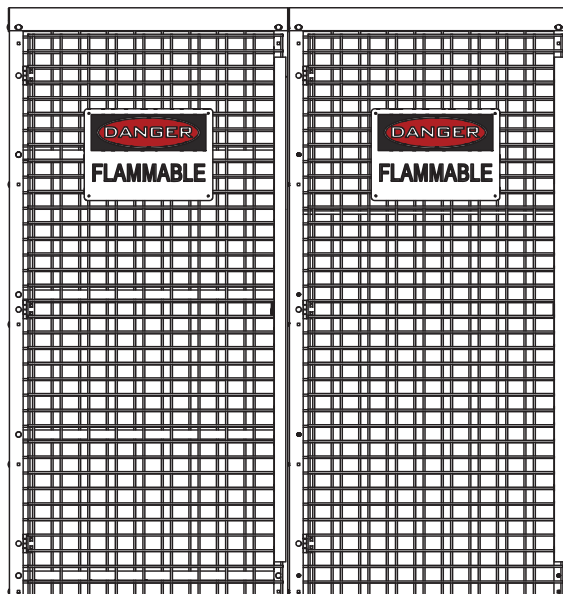
- FULLY TIGHTEN ALL NUTS
- COMPLETE STEP 8 & 9 FOR BOTH DOORS

# 9

TYP. HINGE INSTALL



# 10



**NOTE:**

- CHECK DOOR ALIGNMENT, ADJUST DOOR HEIGHT ACCORDINGLY.
- ZIP TIE DANGER SIGN TO LOCKER DOOR