

Grässlin GmbH

Bundesstraße 36
D-78112 St. Georgen
Germany
Phone: +49 7724 933-0
Fax: +49 7724 933-240
www.graesslin.de
info@graesslin.de

80.10.1351.7/12/13/02

More information on our web page:
<http://qeg.graesslin.de/qrcode/im/qeg1/>



Safety Instructions



Danger! Risk of electric shock!

Installation must be carried out by a professional electrician!

- To avoid injuries, the device must be installed by a skilled electrician only!
- Before changing the battery, the device must be disconnected from the power supply!
- Please observe the national regulations and safety instructions.
- Interferences and changes to the device will invalidate the warranty and guarantee rights.
- Maximum diameter of the conductors lines for the terminals: 2 x 2,5 mm²

Read and observe these instructions to guarantee a perfect function of the device and a safe operation.



Information about the device

What is a programmer?

...an Explanation for Householders (as recommended by the Energy Savings Trust)

Programmers allow you to set 'ON' and 'OFF' time periods. Some models switch the central heating and domestic hot water on and off at the same time, while others allow the domestic hot water and heating to come on and go off at different times.

Set the 'ON' and 'OFF' time periods to suit your own lifestyle. On some programmers you must also set whether you want the heating and hot water to run continuously, run under the chosen 'ON' and 'OFF' heating periods, or be permanently off.

The time on the programmer must be correct. Some types have to be adjusted in spring and autumn at the changes between Greenwich Mean Time and British Summer Time.

You may be able to temporarily adjust the heating programme, for example, 'Override', 'Advance', or 'Boost'. These are explained in the manufacturer's instructions.

The heating will not work if the room thermostat has switched the heating off. And, if you have a hot-water cylinder, the water heating will not work if the cylinder thermostat detects that the hot water has reached the correct temperature.

Description of the device

Your single channel timeswitch provides timing control for your central heating, letting you set ON and OFF periods to suit your own lifestyle.

- Backlit LCD Display
- Real Time Clock
- Up to 3 ON/OFF per day
- Automatic summertime / wintertime changeover
- Daily, weekly ¹⁾ and week-weekend ¹⁾ programming possibility
- Different running modes: OFF, AUTO, ONCE, CONTINUOUS and HOLIDAYS ¹⁾
- Manual override function
- Manual extra hour function
- 3 different pre-programmed profiles, customizable by user
- Boiler service interval indication & actions ¹⁾

Designated use

- The programmer is used to control central heating zone systems or combi boilers
- Suitable for use in dry rooms only!
- Do not install in the vicinity of devices which generate inductive discharges (motors, transformers, etc.)

Technical data

Dimensions H x W x D (mm)	95 x 148 x 36
Weight g (approx.)	285
Power supply	230 V AC / 50-60 Hz
Power consumption	< 3 W
Power reserve	> 2h
Switching capacity	3 A 250 V ~ resistive, cos φ = 1 3 A 250 V ~ inductive, cos φ = 0.6
Time display	24 h or 12 h AM/PM format
Time setting resolution	1 min.
- Time of day	1 min.
- Programmes / min. switching	Selectable (daily, weekly, or week-weekend)
Programmes	3 ON/OFF pairs (2 ON/OFF pairs selectable)
Operating temperature range	0°C ... + 45°C
Ambient temperature	-20°C ... + 55°C
Humidity range	10 to 90% RH, non condensing
Accuracy	Type ± 1 sec./day at +20°C
Terminal capacity	2 x 2,5 mm ²
Protection type	IP 30
European standards	EN60730-2-7 Compliant with building regulations (Part L UK) (Part J Scotland)

Time display
Time setting resolution
- Time of day
- Programmes / min. switching
Programmes

Number of switchings per day

Operating temperature range
Ambient temperature
Humidity range
Accuracy
Terminal capacity
Protection type
European standards



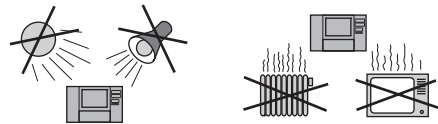
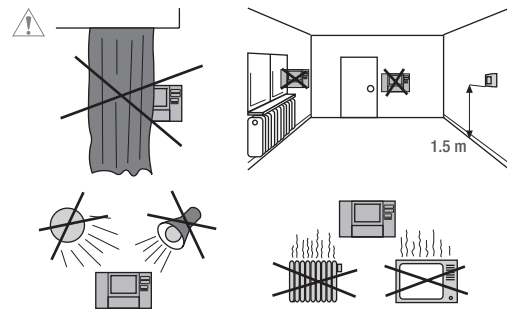
Installation and mounting



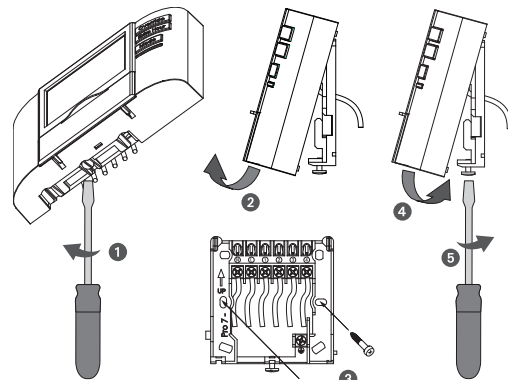
Danger! Risk of electric shock!

Installation must be carried out by a professional electrician!

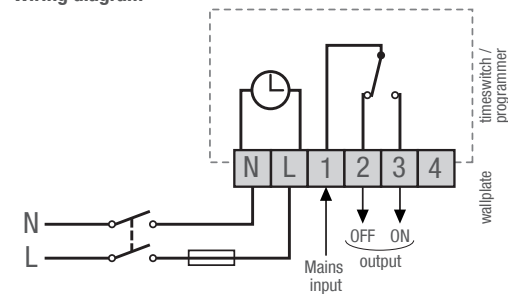
General information



Open/Close housing, Wall mounting



Wiring diagram



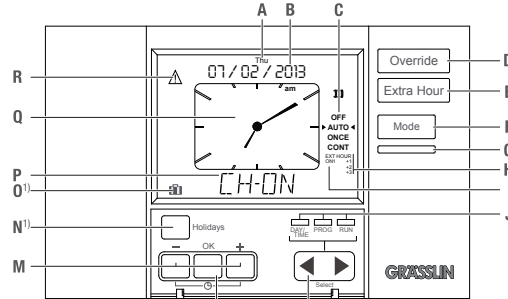
Quick-start guide – 3 clicks to total control

- Connect mains power.
- Press **OK** three times.
 - The default Standard in-built programme runs.
 - You can control the QEG with the Override, Extra Hour or Mode buttons.

Please read the full instructions if you want to know more.

Operation and configuration

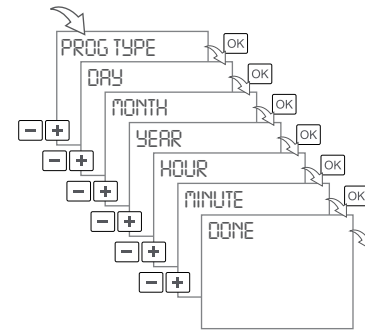
Display / Function keys



- | | |
|---|--|
| A Day of the week indicator | I Central heating programming period indication |
| B Current day, month, year | J Select indicator lamps |
| C Central heating operating mode indicator | K Select |
| D Central heating override button | L OK button |
| E Central heating extra hour button | M "-" and "+" button |
| F Central heating operating mode button | N ¹⁾ Holiday button |
| G Central heating indicator lamp | O ¹⁾ Holiday icon |
| H Central heating extra hour indication | P Information text line |
| | Q Analog clock / current time |
| | R Warning icon |

Commissioning

When first using the timer, you have to set programming type, date and time.



- Connect the programmer to power.
 - Product name and version number are displayed briefly.
 - The preset **PROGRAMMING TYPE** and **OK** are flashing.

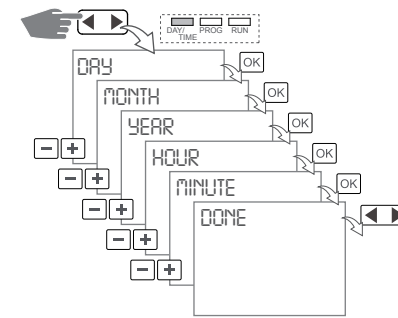
Depending on the product you can choose between three different settings: Daily, Weekly ¹⁾ or Week-Weekend ¹⁾.

- Daily** All days (Monday - Sunday) are programmed with the same ON/OFF time schedule
- Weekly ¹⁾** You can program each day (Monday, Tuesday, ...) with a different ON/OFF time schedule
- Week-Weekend ¹⁾** You can program Monday - Friday with a ON/OFF time schedule and Saturday - Sunday with a different one.

- Choose your desired programming type (DAILY, WEEKLY ¹⁾, WEEK-WEEKEND ¹⁾, or **OK**, and confirm with **OK**.
 - Preset value **DATE** is flashing.
- Enter day, **OK**, and confirm with **OK**.
 - Preset value **MONTH** is flashing.
- Enter month, **OK**, and confirm with **OK**.
 - Preset value **YEAR** is flashing.
- Enter year, **OK**, and confirm with **OK**.
 - Preset **TIME** is flashing.
- Enter hour, **OK**, and confirm with **OK**.
 - Preset value **MINUTE** is flashing.
- Enter minute, **OK**, and confirm with **OK**.
 - The date and time are saved.
 - The programmer goes to **RUN** mode.

Set date and time

If you wish to change the date or time, follow the instructions below:

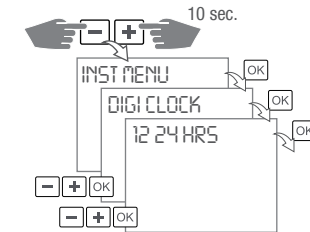


- Press the **SELECT** (left arrow) until menu **DAY/TIME** is selected.
 - Select indicator lamp **DAY/TIME** is ON.
- Enter day, **OK**, and confirm with **OK**.
 - Preset value **MONTH** is flashing.
- Enter month, **OK**, and confirm with **OK**.
 - Preset value **YEAR** is flashing.
- Enter year, **OK**, and confirm with **OK**.
 - Preset **TIME** is displayed.
- Enter hour, **OK**, and confirm with **OK**.
 - Preset value **MINUTE** is flashing.
- Enter minute, **OK**, and confirm with **OK**.
 - The date and time are saved.
- Press the **SELECT** (right arrow) until indicator lamp **RUN** is ON.

Change AM/PM time display to 24 hour clock

Your programmer can operate on the 12 hour AM/PM or 24 hour clock formats.

If you wish to change the clock format, follow the instructions below:



- Make sure the device is working in **RUN** mode.
- Press and hold **SELECT** (left arrow) buttons at the same time for 10 seconds.
 - INST MENU** opens and **OK** is flashing.
- Confirm with **OK**.
 - The menu item **DIGI CLOCK** is displayed.
- Press **OK** to edit settings.
 - Setting **NO** is flashing.
- Press **SELECT** (left arrow) or **SELECT** (right arrow) to scroll through the menu. Choose **YES** and confirm with **OK**.
 - Setting **AM PM** is flashing.
- Press **SELECT** (left arrow) or **SELECT** (right arrow) to scroll through the menu. Choose **AM PM** or **24 HRS** and confirm with **OK**.
 - The chosen setting is saved.
 - The next menu item **BACKLIGHT** is displayed.
- To save your settings, continue scrolling through the menu options with **SELECT** (left arrow) key, until you once again see **INST MENU / - OK +**, and finally leave the installers menu with **SELECT** (left arrow) key.
 - With QEG-1S, continue scrolling through the menu options with **SELECT** (left arrow) key, until you see **CHANGE PIN / - OK +**, and finally leave the installers menu with **SELECT** (left arrow) key.

Running a built-in programme (default programmes)

With the date and time correct, your timer will now be operating to the built-in programmes. These have been designed to provide heating at typical times throughout the day. The built-in programmes give you a starting point that you can personalise to your own requirements, please see the section "Review/Edit central heating program" or "Review/Edit domestic hot water program".

Built-in programme STD (DEFAULT)

Daily	ON1: 06:30 am	ON2: 12:00 pm*	ON3: 04:30 pm	
	OFF1: 08:30 am	OFF2: 12:00 pm*	OFF3: 10:30 pm	
Weekly ¹⁾	ON1: 06:30 am	ON2: 12:00 pm	ON3: 04:30 pm	
	OFF1: 08:30 am	OFF2: 01:00 pm	OFF3: 10:30 pm	
Week-Weekend ¹⁾	ON1: 06:30 am	ON2: 12:00 pm	ON3: 04:30 pm	Mo - Fr
	OFF1: 08:30 am	OFF2: 01:00 pm	OFF3: 10:30 pm	Sa - Su

Built-in programme HOME

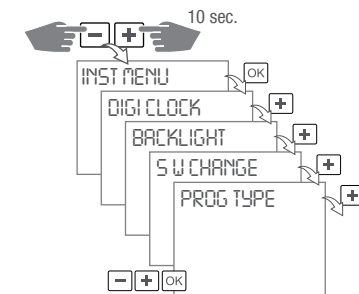
Daily	ON1: 06:30 am	ON2: 12:00 pm*	ON3: 04:00 pm	
	OFF1: 09:30 am	OFF2: 12:00 pm*	OFF3: 11:00 pm	
Weekly ¹⁾	ON1: 06:30 am	ON2: 12:00 pm	ON3: 04:00 pm	
	OFF1: 09:30 am	OFF2: 01:00 pm	OFF3: 11:00 pm	
Week-Weekend ¹⁾	ON1: 06:30 am	ON2: 12:00 pm	ON3: 04:30 pm	Mo - Fr
	OFF1: 09:30 am	OFF2: 01:00 pm	OFF3: 11:00 pm	Sa - Su

Built-in programme ECO

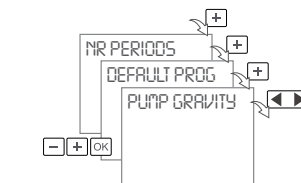
Daily	ON1: 06:30 am	ON2: 12:00 pm*	ON3: 05:30 pm	
	OFF1: 07:30 am	OFF2: 12:00 pm*	OFF3: 10:00 pm	
Weekly ¹⁾	ON1: 08:30 am	ON2: 12:00 pm	ON3: 05:30 pm	
	OFF1: 09:30 am	OFF2: 01:00 pm	OFF3: 10:30 pm	
Week-Weekend ¹⁾	ON1: 06:30 am	ON2: 12:00 pm	ON3: 05:30 pm	Mo - Fr
	OFF1: 07:30 am	OFF2: 12:00 pm	OFF3: 10:00 pm	Sa - Su

* On/off programmes with the same time cancel out - no switching will occur.

The built-in programmes can be selected in the **INSTALLERS MENU**. To access to installers menu, the device must be working in **RUN** mode.



- Make sure the device is working in **RUN** mode.
- Press and hold **SELECT** (left arrow) buttons at the same time for 10 seconds.
 - INST MENU** opens and **OK** is flashing.
- Confirm with **OK**.
 - Installers menu is activated.
- Press 3 x **SELECT** (left arrow) until **PROG TYPE** is displayed.
 - Press **OK** to edit settings.
 - Preset value is flashing.
- Press **SELECT** (left arrow) or **SELECT** (right arrow) to scroll through the menu. Choose your desired setting (DAILY, WEEKLY ¹⁾, 5-2 DAYS ¹⁾) and confirm with **OK**.
 - The chosen setting is saved.
 - The next menu item **NR PERIODS** is displayed.



- Press **SELECT** (left arrow) to go to **DEFAULT PROG**.
- Press **OK** to edit settings.
 - Preset value is flashing.
- Press **SELECT** (left arrow) or **SELECT** (right arrow) to scroll through the menu. Choose your desired setting (STD, HOME or ECO) and confirm with **OK**.
 - The chosen setting is saved
 - The next menu item **PUMP GRAVITY** is displayed.
- To save your settings, continue scrolling through the menu options with **SELECT** (left arrow) key, until you once again see **INST MENU / - OK +**, and finally leave the installers menu with **SELECT** (left arrow) key.
 - With QEG-1S, continue scrolling through the menu options with **SELECT** (left arrow) key, until you see **CHANGE PIN / - OK +**, and finally leave the installers menu with **SELECT** (left arrow) key.

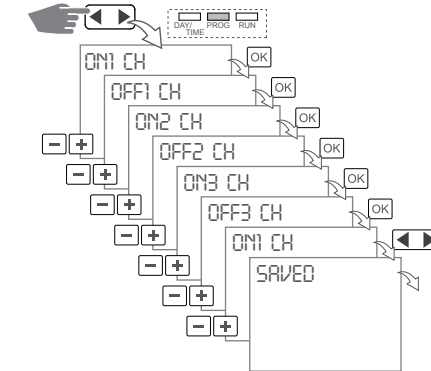
Review/Edit central heating (CH) program

Depending on the product you can choose between three different settings: Daily, Weekly ¹⁾ or Week-Weekend (5-2 days) ¹⁾.

- Daily** All days (Monday - Sunday) are programmed with the same ON/OFF time schedule
- Weekly ¹⁾** You can program each day (Monday, Tuesday, ...) with a different ON/OFF time schedule
- Week-Weekend ¹⁾** You can program Monday - Friday with a ON/OFF time schedule and Saturday - Sunday with a different one.

You can choose the desired setting in the **INSTALLERS MENU**. Every programme has three pairs of ON/OFF switching times per day. Each time can be set between 3.00 am and 2.50 am (on the next day).

Example 1: Daily programming CH, built-in programme STD



- Press the **SELECT** (left arrow) until indicator lamp **PROG** is ON.
 - Preset value ON1 (06:30) is flashing.

- Set time:
- If you make any changes, you must press **OK** to confirm ALL ON/OFF pairs before pressing the select button to return to the **RUN** mode, otherwise your changes will be lost.
 - Press **SELECT** (left arrow) or **SELECT** (right arrow) briefly to increase/decrease the time in 1 minute steps. Press and hold **SELECT** (left arrow) or **SELECT** (right arrow) longer than 2 seconds to increase/decrease the time quickly. Or press **OK** to confirm a displayed (flashing) value

- Enter hour and minute for the new **ON1** command, **OK**, and confirm with **OK**.
 - Preset value OFF1 (08:30) is flashing.
- Enter hour and minute for the new **OFF1** command, **OK**, and confirm with **OK**.
 - Preset value ON2 (12:00) is flashing.
- Enter hour and minute for the new **ON2** command, **OK**, and confirm with **OK**.
 - Preset value OFF2 (12:00) is flashing.

¹⁾ Function not available for all products.

- Enter hour and minute for the new **OFF2** command, or , and confirm with .
- Preset value ON3 (16:30) is flashing.
- Enter hour and minute for the new **ON3** command, or , and confirm with .
- Preset value OFF3 (22:30) is flashing.
- Enter hour and minute for the new **OFF3** command, or , and confirm with .
- Set value ON1 is flashing.
- Press the **SELECT** until indicator lamp **RUN** is ON.
- The program is saved.

Example 2: Weekly programming CH, built-in programme STD

- Press the **SELECT** until indicator lamp **PROG** is ON.
- Day **MON** is flashing.

You have the possibility to edit each day individually or you can create dayblocks, e.g. Tue, Wed, Fri and Sat, where you can set the same ON and OFF sequence.
Days you do not select will keep the preset values.

Set day:

- Select the first desired day, or , and confirm with .
- The menu item **ADD DAY** is displayed.

ADD DAY: YES

- Choose **YES**, or , if you want to create a dayblock and confirm with .
- The next day is flashing.
- Select the next day you want to add to the dayblock, or , and confirm with .
- The menu item **ADD DAY** is displayed.
- Repeat this process until the desired days have been selected. On the last day selected, choose **NO** for **ADD DAYS** and confirm with .
- The selected days are shown in the display.
- The preset time **ON1** (06:30) is blinking.

ADD DAY: NO

- Choose **NO**, or , if you want to edit each day individually
- The preset time **ON1** (06:30) is blinking.

Set time:

- If you make any changes, you must press OK to confirm ALL ON/OFF pairs before pressing the select button to return to the RUN mode, otherwise your changes will be lost.
- Press or briefly to increase/decrease the time in 1 minute steps. Press and hold or longer than 2 seconds to increase/decrease the time quickly. Or press OK to confirm a displayed (flashing) value

- Enter hour and minute for the new **ON1** command, or , and confirm with .
- Preset value OFF1 (08:30) is flashing.
- Enter hour and minute for the new **OFF1** command, or , and confirm with .
- Preset value ON2 (12:00) is flashing.
- Enter hour and minute for the new **ON2** command, or , and confirm with .
- Preset value OFF2 (13:00) is flashing.
- Enter hour and minute for the new **OFF2** command, or , and confirm with .
- Preset value ON3 (16:30) is flashing.
- Enter hour and minute for the new **ON3** command, or , and confirm with .
- Preset value OFF3 (22:30) is flashing.
- Enter hour and minute for the new **OFF3** command, or , and confirm with .
- The time is saved.
- The menu item **SELECT DAY** is displayed.
- You can select and edit a new day, or , or press the **SELECT** until programming menu **RUN** is selected to exit.

Operating modes

The operating mode may only be changed when **RUN** mode is activated (green indicator lamp RUN must be ON).

- OFF** The system will remain OFF.
- AUTO** The system will be switched ON and OFF according to the adjusted program.
- ONCE** The heating will come ON at the first programmed ON time, and go OFF at the last programmed OFF time.

CONTINUOUS The system will remain ON continuously.

OVERRIDE mode

The Override function (temporary program override) allows the user to finish the current running program prematurely or start a program to run before its scheduled start. This depends on the current channel status. The Override function applies only to the current program and remains active until the next program change. After that, the programmer returns to AUTO mode. The Override function is only available when the device is running in AUTO and ONCE operating mode.

- 1 x Enable OVERRIDE
- 2 x Disable OVERRIDE

Example AUTO mode



Example 1



Example 2



Extra hour mode

The extra hour button allows you to switch the system ON for up to 3 extra hours without altering the program.

- When the blue central heating indicator lamp is OFF, pressing an EXTRA HOUR button switches the heating ON for just one hour.
- When the blue central heating indicator lamp is ON, pressing an EXTRA HOUR button extends the programmed ON period by one hour.
- Further presses of the EXTRA HOUR button will increase the extra hour period by one hour for each button press, up to a maximum of 3 hours.
- To cancel the extra hours, just keep pressing the EXTRA HOUR button until the message EXT HOUR disappears from the display. The system returns to previous status.

Example AUTO mode



Example 1

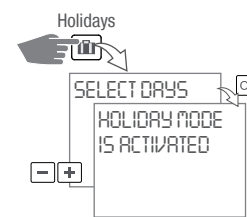


Example 2



Holiday mode¹⁾

The Holiday function allows you to switch OFF your heating system for a specified number of days (from 1-90 days). This lets you save energy and related costs when you are away from home, but resumes normal operation on the day of your return.



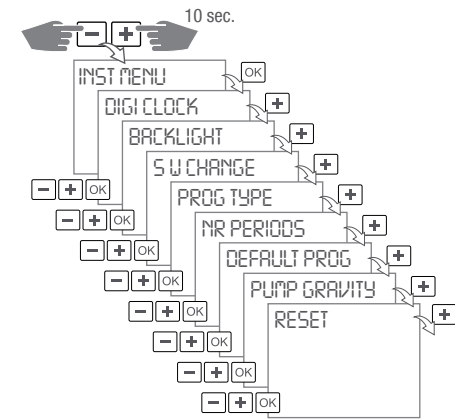
- Make sure the device is working in **RUN** mode.
- Press the **HOLIDAY** button.
- Select desired numbers of days, or , and confirm with .
- Holiday mode is activated.

To cancel the Holiday function, just press the **HOLIDAY** button again. If you use the holiday function during winter you should ensure that you have a secondary frost protection device in your system to prevent frost damage.

Installers menu

The programmer has a special installers menu where some features can be adjusted to suit your lifestyle or preferences. To access to installers menu (INST MENU) the device must be working in **RUN** mode (green indicator lamp RUN must be ON).

If you wish to change the settings in the installers menu, follow the instructions below:



- Make sure the device is working in **RUN** mode.
- Press and hold buttons at the same time for 10 seconds.
- INST MENU** opens and **OK** is flashing.
- Confirm with .
- Installers menu is activated, you can change the settings.

- Press or to scroll through the menu.
- Press to edit/confirm settings and or to select settings.
- To save your settings, continue scrolling through the menu options with key, until you once again see **INST MENU / - OK +**, and finally leave the installers menu with key.

With QEG-1S, continue scrolling through the menu options with key, until you see **CHANGE PIN / - OK +**, and finally leave the installers menu with key.

- To cancel installers menu, press button.

The following settings are possible:

Digital clock (DIGI CLOCK) Shows the current time (hours/minutes) in a digital and analog clock format
Setting possibilities:
NO: Digital clock not shown (Default value).
YES: Digital clock shown.
If digital clock is set **YES**, you can choose between **12 HRS (AM-PM)** or **24 HRS** format.

Backlight (BACKLIGHT) Setting possibilities:
PERMANENT ON: Backlight always ON (Default value).
PERMANENT OFF: Backlight always OFF.
BUTTON PRESSED: Backlight ON when any pushbutton is pressed. Backlight goes OFF 20 seconds after the last pushbutton press.

Auto Summer/Wintertime changeover (S W CHANGE) Automatic Summer/Winter time change. Summer time starts on the last Sunday of March (1:00 am to 2:00 am) and ends on last Sunday of October (2:00am to 1:00am), then Winter time starts
Setting possibilities:
ON: S/W time change will be done automatically (Default value)
OFF: S/W time change must be done manually.

Programming type¹⁾ (PROG TYPE) Menu to select daily, week-weekend¹⁾, weekly¹⁾ programming. This value will be applied by central heating programming method.
Setting possibilities:

All days (Monday - Sunday) are programmed **Daily:** with the same ON/OFF time schedule

You can program each day (Monday, Tuesday, ...) with a different ON/OFF time schedule **Weekly**¹⁾

You can program Monday - Friday with a ON/OFF time schedule and Saturday - Sunday with a different one. **Week-Weekend**¹⁾

Number of periods (NR PERIODS) Number of adjustable time periods defined by ON-OFF pairs to control central heating or domestic hot water.
Setting possibilities:
3 ON-OFF: adjust maximum 3 ON-OFF time periods (Default value).
2 ON-OFF: adjust maximum of 2 ON-OFF time periods.

Default programmes (DEFAULT PROG) Time programme that will appear by default when running in AUTO mode or as base point to customize according to users' lifestyle
Setting possibilities:
STD: Standard Profile (Default value)
HOME: Home Profile
ECO: ECO Profile

Detailed explanation of the profiles see chapter "Running a built-in programme"

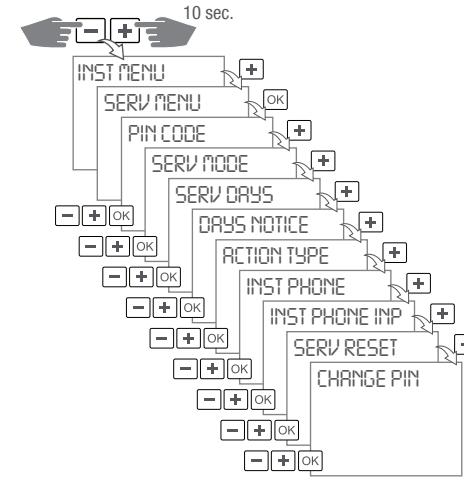
Reset (RESET) Reset all parameters of installation menu to factory default

Service menu¹⁾

This mode is a countdown of the operating running time. Service period time, action and message shown will be set into service menu (for service variants only).

To access to service menu (SERV MENU) the device must be working in **RUN** mode (green indicator lamp RUN must be ON). Service mode is PIN code protected. The preset value is **1234**. You can change the PIN code in the installers menu.

If you wish to change the settings in the service menu, follow the instructions below:



- Make sure the device is working in **RUN** mode.
- Press and hold buttons at the same time for 10 seconds.
- INST MENU** opens and **OK** is flashing.
- Press button.
- Service menu (**SERV MENU**) is selected.
- OK** is flashing.
- Confirm with .
- First number of **PIN CODE** is flashing.
- Enter first number of PIN code, or , and confirm with .
- Second number of PIN CODE is flashing.
- Enter second number of PIN code, or , and confirm with .
- Third number of PIN CODE is flashing.
- Enter third number of PIN code, or , and confirm with .
- Fourth number of PIN CODE is flashing.
- Enter fourth number of PIN code, or , and confirm with .
- If PIN code is correct, service menu is activated, you can change the settings.

- Press or to scroll through the menu.
- Press to edit/confirm settings and or to select settings.
- To save your settings, continue scrolling through the menu options with key, until you see **CHANGE PIN / - OK +**, and finally leave the service menu with key.
- To cancel service menu, press button.

The following settings are possible:
Service mode (SERV MODE) **NO:** Functionality is disabled (Default value)
YES: Functionality is enabled.

Service days (SERV DAYS) You can set the number of days (1 to 400) after which a service message is to appear. It will be shown on the display as soon as the counter has reached the number of days set by you.

Days notice (DAYS NOTICE) Number of days to „show“ service message on screen. Adjustable from 0 to 30 days.

Action type (ACTION TYPE) **TIMED:** After service days due, heating system will be OFF, with possibility to switch ON manually the channels in 1 hour time fractions by pressing Extra hour button, up to 3 hours (maximum nr. of times : Timed Boost) (Default value)
REMIND: After service days due, system will remind by a message to call installer for revision and system restart.
TOTAL OFF: After service days due, heating system will be off until installer restarts the device (all push buttons and running modes will be disabled)

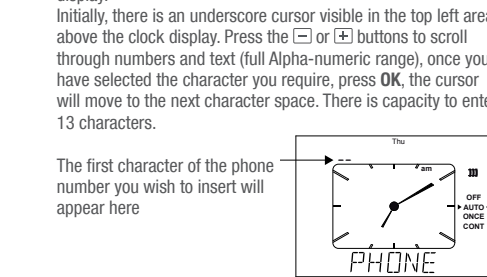
Timed boost (TIMED BOOST) Available only if action type is set as TIMED. It gives the possibility to run manually for an undefined time (in 1 hour fraction times) or during a maximum number of times.
Setting possibilities:
NO LIMIT (Default value)
SELECTABLE, 1 to 99 times,

Phone number (INST PHONE) Show/Hide Installer's phone nr. on screen, after service due day
Setting possibilities:
NO: Hide phone Nr. (Default value)
YES: Show Phone Nr.

When entering your own 'phone number' in the Service Mode, the number will appear in the smaller line of text above the display.

Initially, there is an underscore cursor visible in the top left area above the clock display. Press the or buttons to scroll through numbers and text (full Alpha-numeric range), once you have selected the character you require, press **OK**, the cursor will move to the next character space. There is capacity to enter 13 characters.

The first character of the phone number you wish to insert will appear here

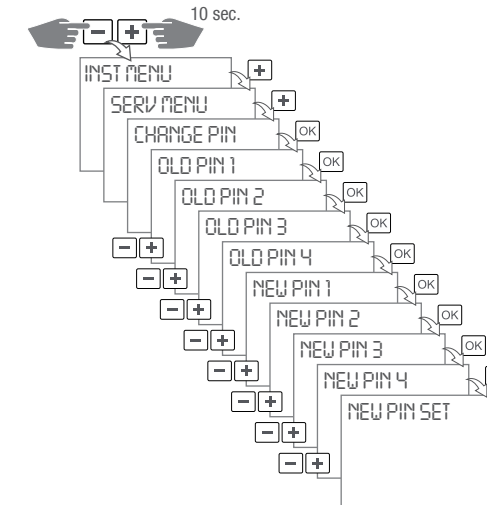


Installer's phone number (INST PHONE INPUT) Menu reserved to introduce installer's own phone nr. (max. 12 digits)
Setting possibilities:
EMPTY (Default value)
Inserted **PHONE NUMBER**, if installers place any phone number.

Service reset (SERV RESET) Reset all parameters of service menu to factory default

PIN code¹⁾

Service mode is PIN code protected. The preset value is **1234**. If you wish to change the PIN code, follow the instructions below:



- Make sure the device is working in **RUN** mode.
- Press and hold buttons at the same time for 10 seconds.
- INST MENU** opens and **OK** is flashing.
- Press 2 x until **CHANGE PIN** is displayed.
- OK** is flashing.
- Confirm with .
- First number of **OLD PIN CODE** is flashing.
- Enter old PIN code.
- Press or to set a numeric value.
- Press to set the next number.
- If old PIN code was correct, first number of **NEW PIN CODE** is flashing.
- Enter new PIN code.
- Press or to set a numeric value.
- Press to set the next number.
- New PIN code is saved.

Replacing a Grasslin QE1 with a QEG-1

If you are replacing a QE1 with a QEG-1 (or -1S), the QEG product will fit the QE1 backplate, but you must change the wiring connections to the existing QE1 backplate:

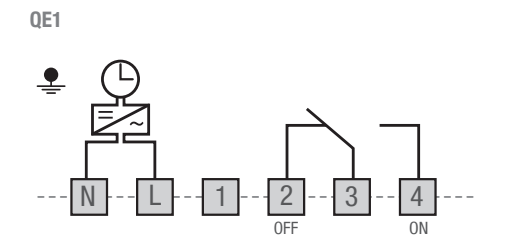
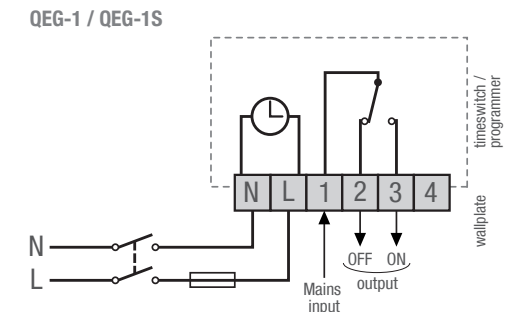
If a live link is connected between terminal L and terminal 3:

- Move the link terminal 3 connection to terminal 1.
- Move the switched live connection From terminal 4 to terminal 3

If the QE1 was controlling a volt-free circuit:

- Move the switched wire pair from terminals 3 & 4 To terminals 1 & 3

The respective wiring diagrams are shown below for comparison purposes



Disposal / Recycling

Dispose of the packing material correctly according to legal requirements and regulations.

Observe the following notes for disposing of defective system components or the system after its service life:

- Dispose of appropriately, i.e. separating the parts to be disposed of according to material groups.
- Do not throw electrical and electronic components in the bin. Bring these parts to the recycling centers.
- Always ensure the environmentally sound disposal conform to the state-of-the-art environment protection, recycling and disposal engineering.

¹⁾ Function not available for all products.