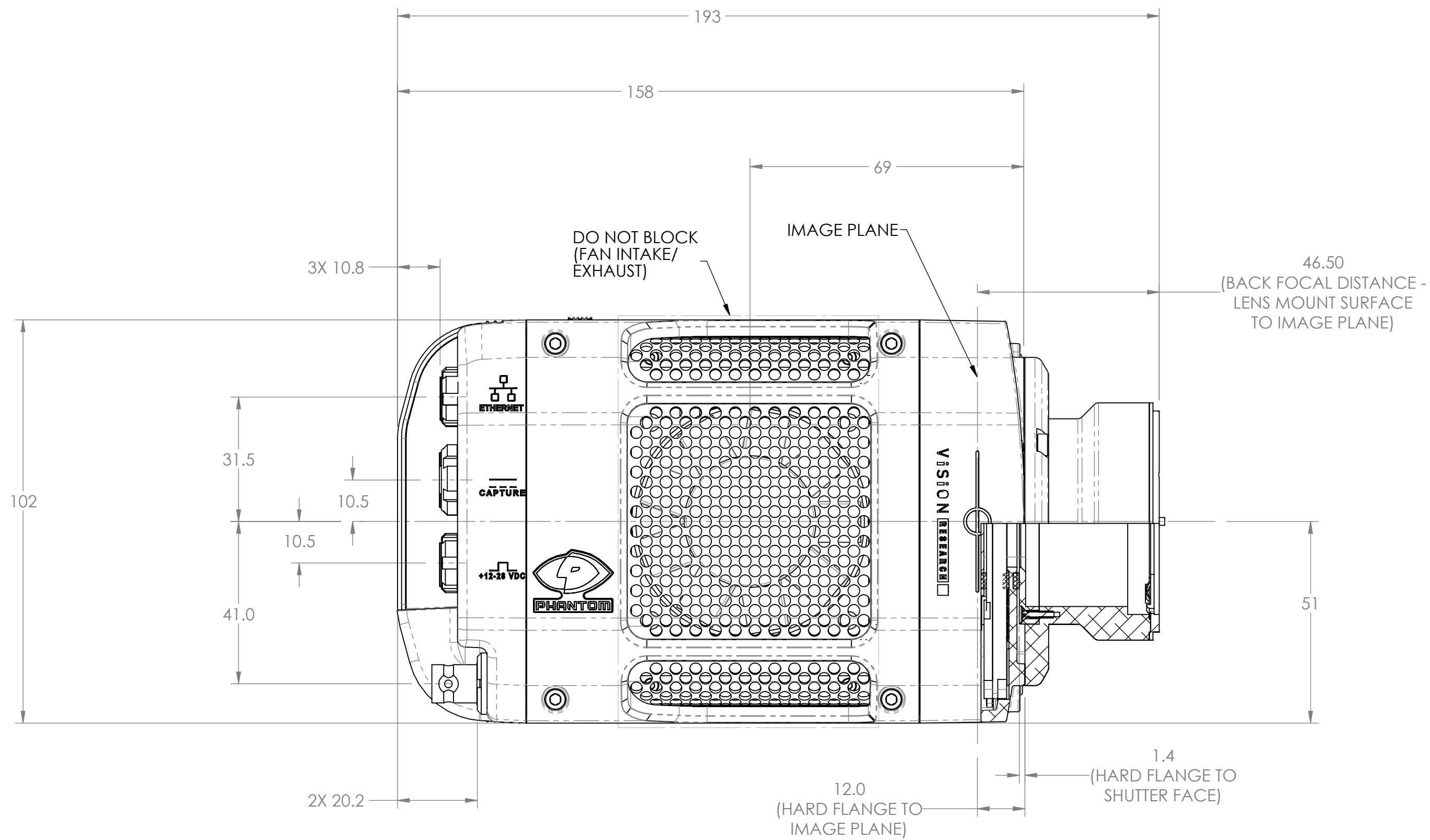


REVISIONS HISTORY			
REV.	DESCRIPTION	DRN BY	APP'D BY
0	RELEASED	WD	11/11/2011



RIGHTSIDE VIEW

NOTES:

1. M310 ABOVE IS SHOWN EQUIPPED WITH STANDARD NIKON F-MOUNT, BUT WITHOUT BATTERY OR OPTICAL LOW-PASS FILTER INSTALLED.
2. OPTICAL LOW-PASS FILTER ASSEMBLY (AD-2MA1219), WHEN INSTALLED, ADDS APPROXIMATELY 2.0mm TO BACK FOCAL DISTANCE AND OVERALL CAMERA LENGTH.
3. BODY CAP, WHEN INSTALLED, ADDS APPROXIMATELY 4.5mm TO OVERALL CAMERA LENGTH

PROPRIETARY AND CONFIDENTIAL
 THE INFORMATION CONTAINED IN THIS DRAWING IS THE SOLE PROPERTY OF VISION RESEARCH. ANY REPRODUCTION IN PART OR AS A WHOLE WITHOUT THE WRITTEN PERMISSION OF VISION RESEARCH IS PROHIBITED.

UNLESS OTHERWISE SPECIFIED:
 DIMENSIONS ARE IN mm
 TOLERANCES:
 ANGULAR: $\pm 0.5^\circ$
 ONE PLACE: ± 0.25
 TWO PLACE: ± 0.13
 INTERPRET GEOMETRIC TOLERANCES PER ASME Y14.5-2009
 MATERIAL
 FINISH
 DO NOT SCALE DRAWING

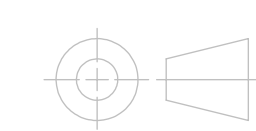
NAME	DATE
DRAWN WRD	11/9/11
CHECKED	
ENG APPR.	
MFG APPR.	
Q.A.	

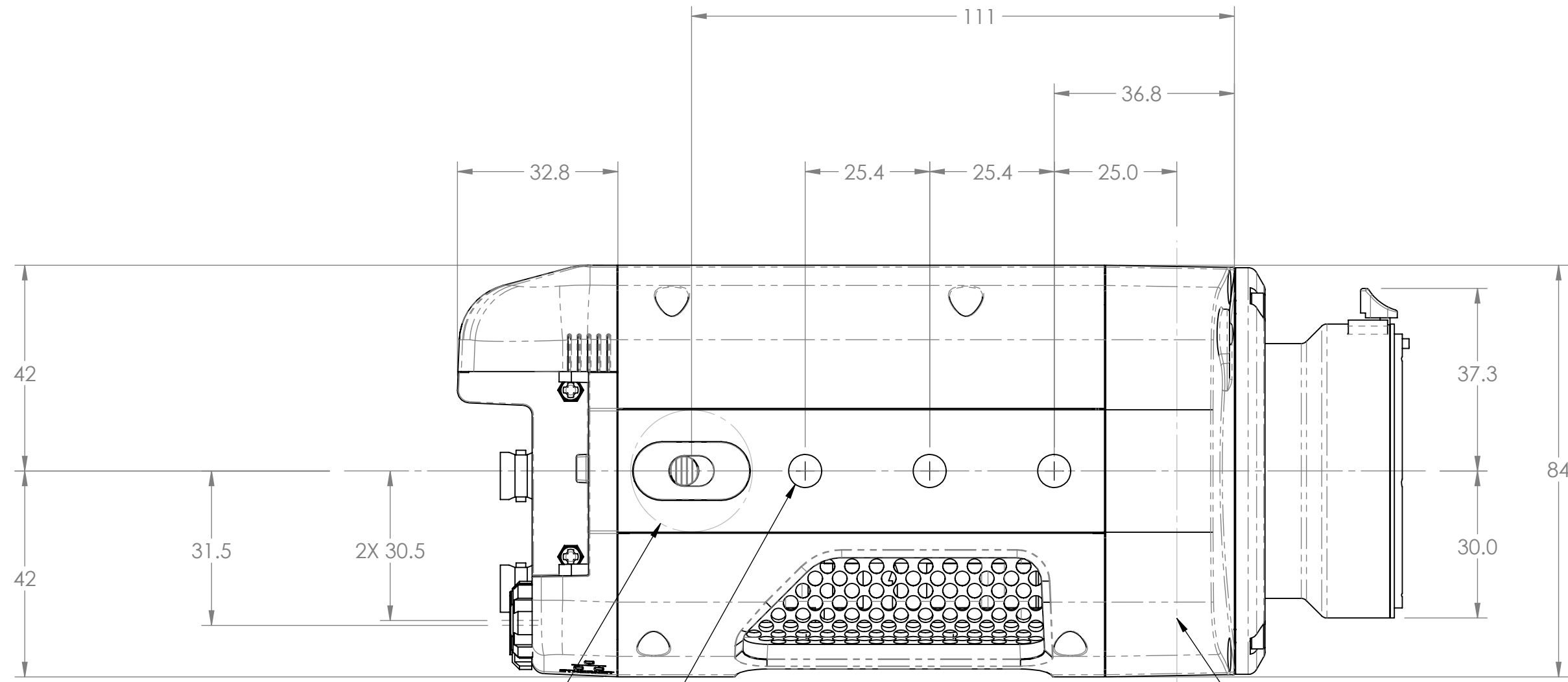
VISION RESEARCH
 100 Dey Road
 Wayne, New Jersey 07470 USA
 973-696-4500

TITLE:
**CUSTOMER DRAWING,
 M110, M210 & M310**

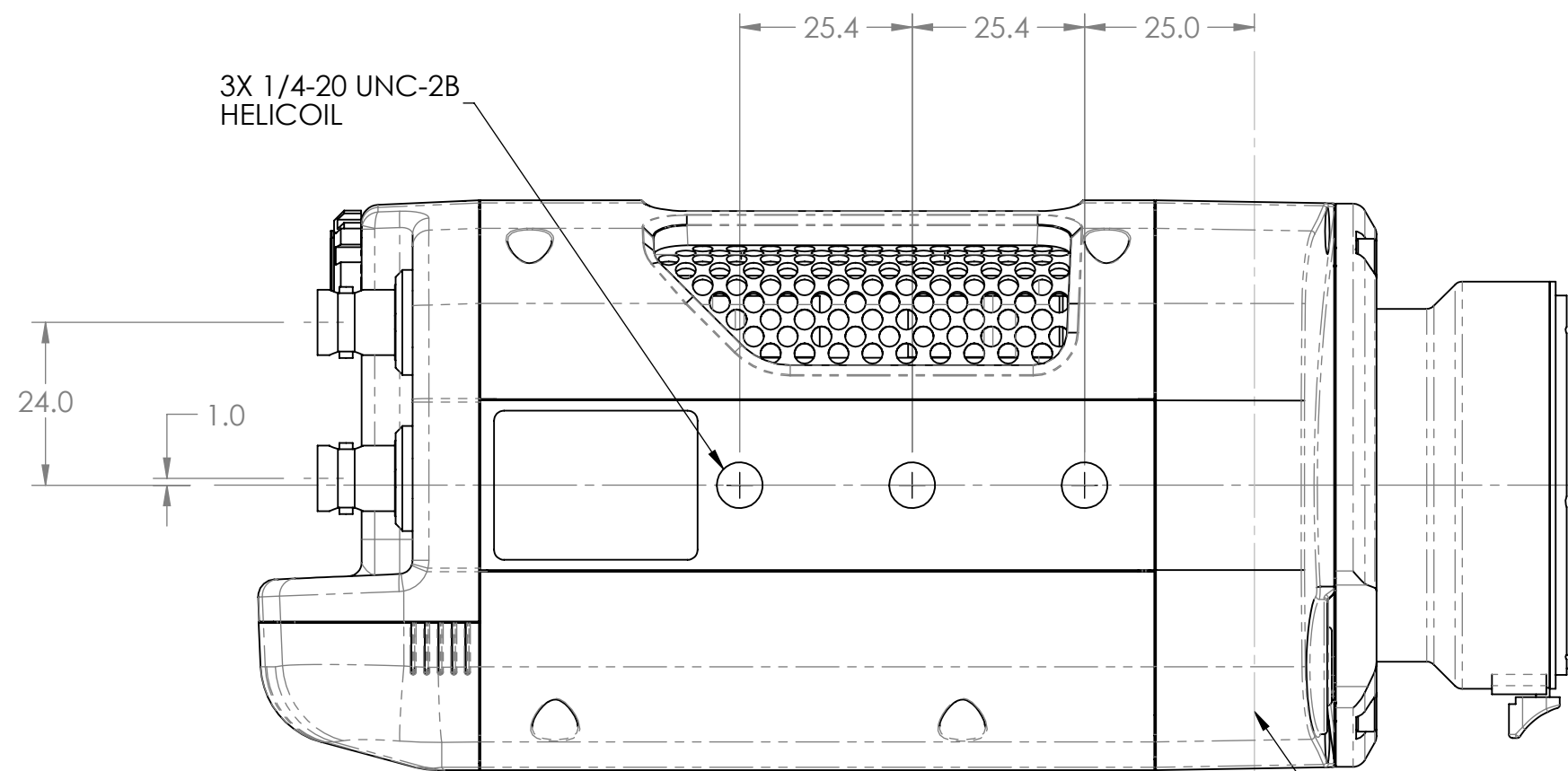
SIZE	DWG. NO.	REV
C	ZDOC-64084-CD-0001	0

SCALE 1:1 SHEET 1 OF 4

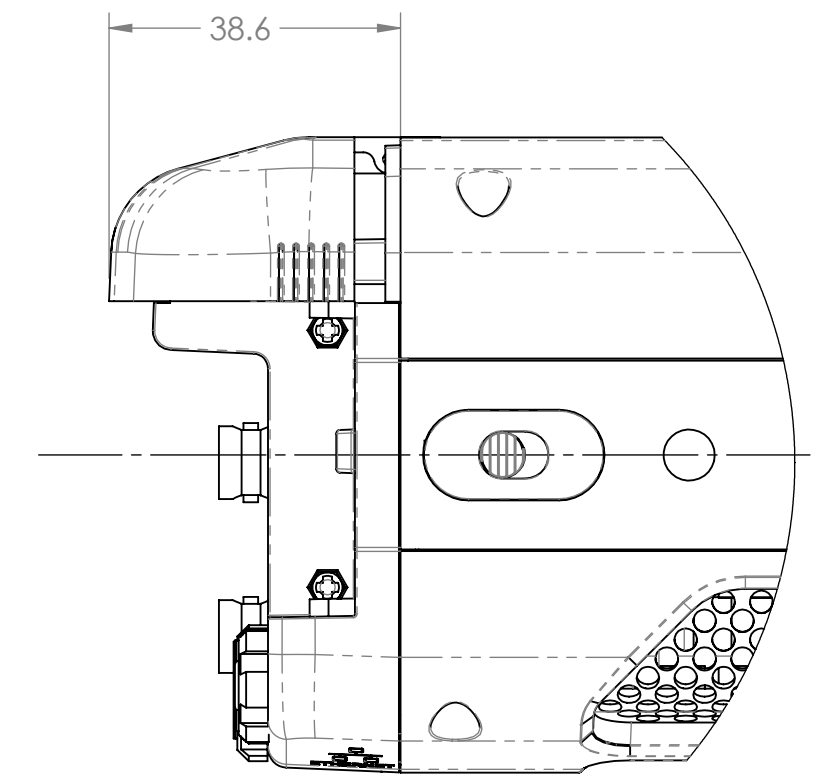




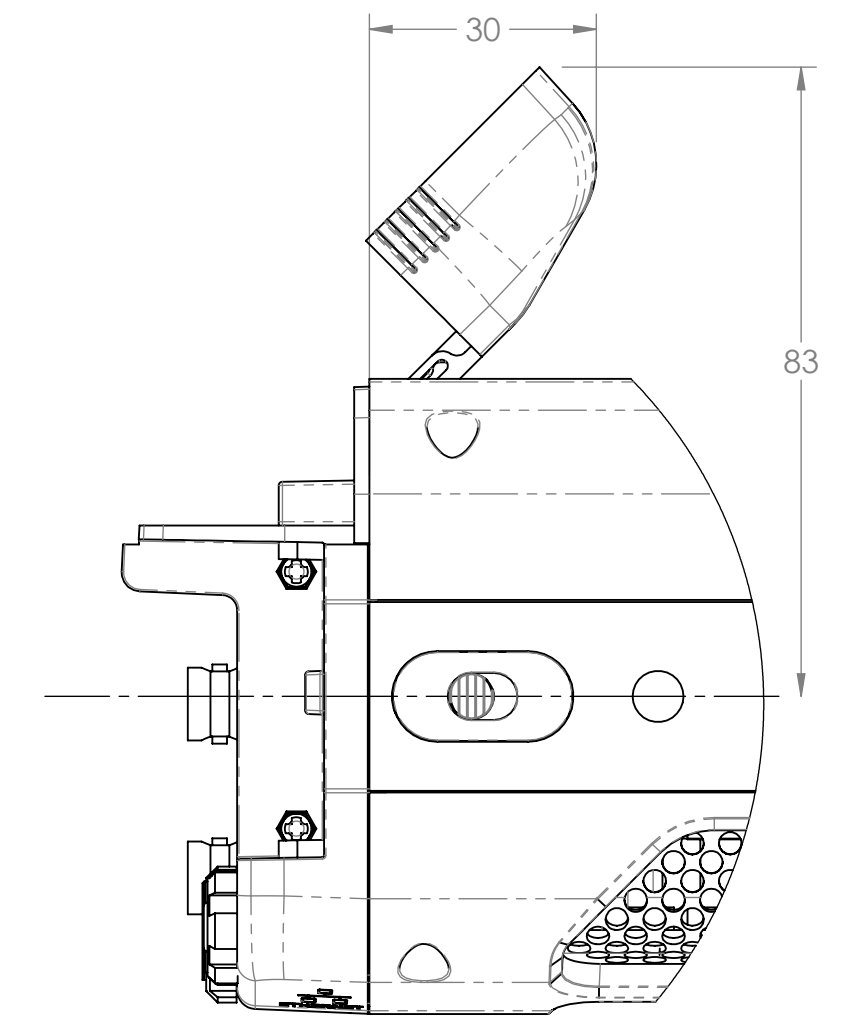
NO NOT BLOCK (BATTERY RELEASE)
 3X 1/4-20 UNC-2B HELICOIL
 TOPSIDE VIEW
 IMAGE PLANE



3X 1/4-20 UNC-2B HELICOIL
 BOTTOMSIDE VIEW
 IMAGE PLANE



TOPSIDE VIEW (SSD DOOR OPEN - INTERMEDIATE POSITION)



TOPSIDE VIEW (SSD DOOR OPEN - FINAL POSITION)

NOTE: CLEARANCE MUST BE PROVIDED FOR ROTATIONAL TRAVEL OF SSD DOOR AND ACCESS MAINTAINED AT REAR FOR INSERTION/REMOVAL OF CINEFLASH DRIVES.

PROPRIETARY AND CONFIDENTIAL
 THE INFORMATION CONTAINED IN THIS DRAWING IS THE SOLE PROPERTY OF VISION RESEARCH. ANY REPRODUCTION IN PART OR AS A WHOLE WITHOUT THE WRITTEN PERMISSION OF VISION RESEARCH IS PROHIBITED.

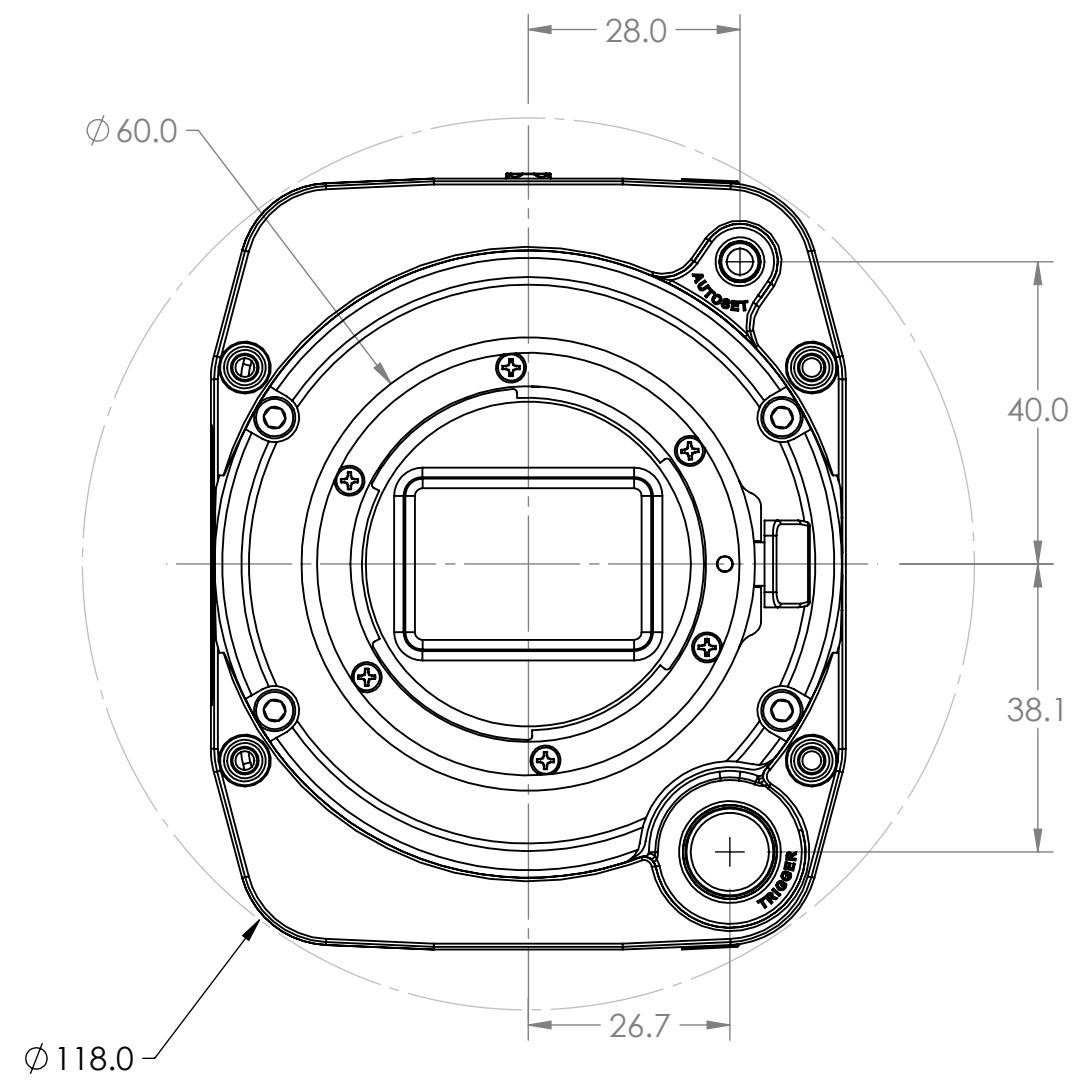
UNLESS OTHERWISE SPECIFIED:		NAME	DATE
DIMENSIONS ARE IN mm		DRAWN	WRD 11/9/11
TOLERANCES:		CHECKED	
ANGULAR: ±0.5°		ENG APPR.	
ONE PLACE: ±0.25		MFG APPR.	
TWO PLACE: ±0.13		Q.A.	
INTERPRET GEOMETRIC TOLERANCES PER ASME Y14.5-2009			
MATERIAL			
FINISH			
NEXT ASSY	USED ON		
APPLICATION			
DO NOT SCALE DRAWING			

VISION RESEARCH
 100 Dey Road
 Wayne, New Jersey 07470 USA
 973-696-4500

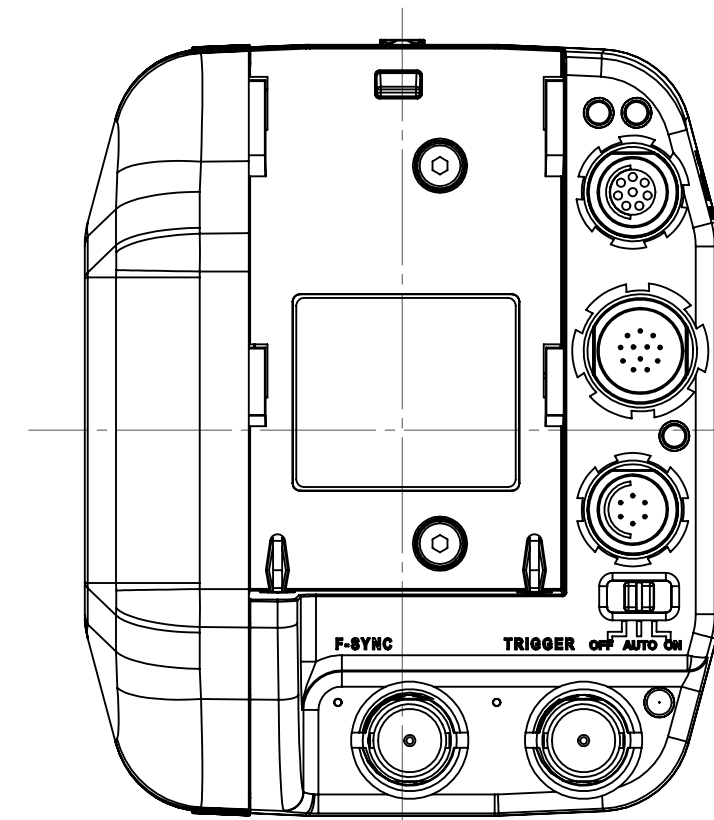
TITLE:
CUSTOMER DRAWING, M110, M210 & M310

SIZE	DWG. NO.	REV
C	ZDOC-64084-CD-0001	0

SCALE 1:1 SHEET 2 OF 4



FRONTSIDE VIEW



BACKSIDE VIEW

PROPRIETARY AND CONFIDENTIAL
 THE INFORMATION CONTAINED IN THIS DRAWING IS THE SOLE PROPERTY OF VISION RESEARCH. ANY REPRODUCTION IN PART OR AS A WHOLE WITHOUT THE WRITTEN PERMISSION OF VISION RESEARCH IS PROHIBITED.

UNLESS OTHERWISE SPECIFIED:

DIMENSIONS ARE IN mm

TOLERANCES:
 ANGULAR: $\pm 0.5^\circ$
 ONE PLACE: ± 0.25
 TWO PLACE: ± 0.13

INTERPRET GEOMETRIC TOLERANCES PER ASME Y14.5-2009

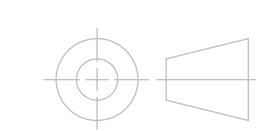
MATERIAL

FINISH

DO NOT SCALE DRAWING

NEXT ASSY USED ON APPLICATION

NAME	DATE
DRAWN WRD	11/9/11
CHECKED	
ENG APPR.	
MFG APPR.	
Q.A.	

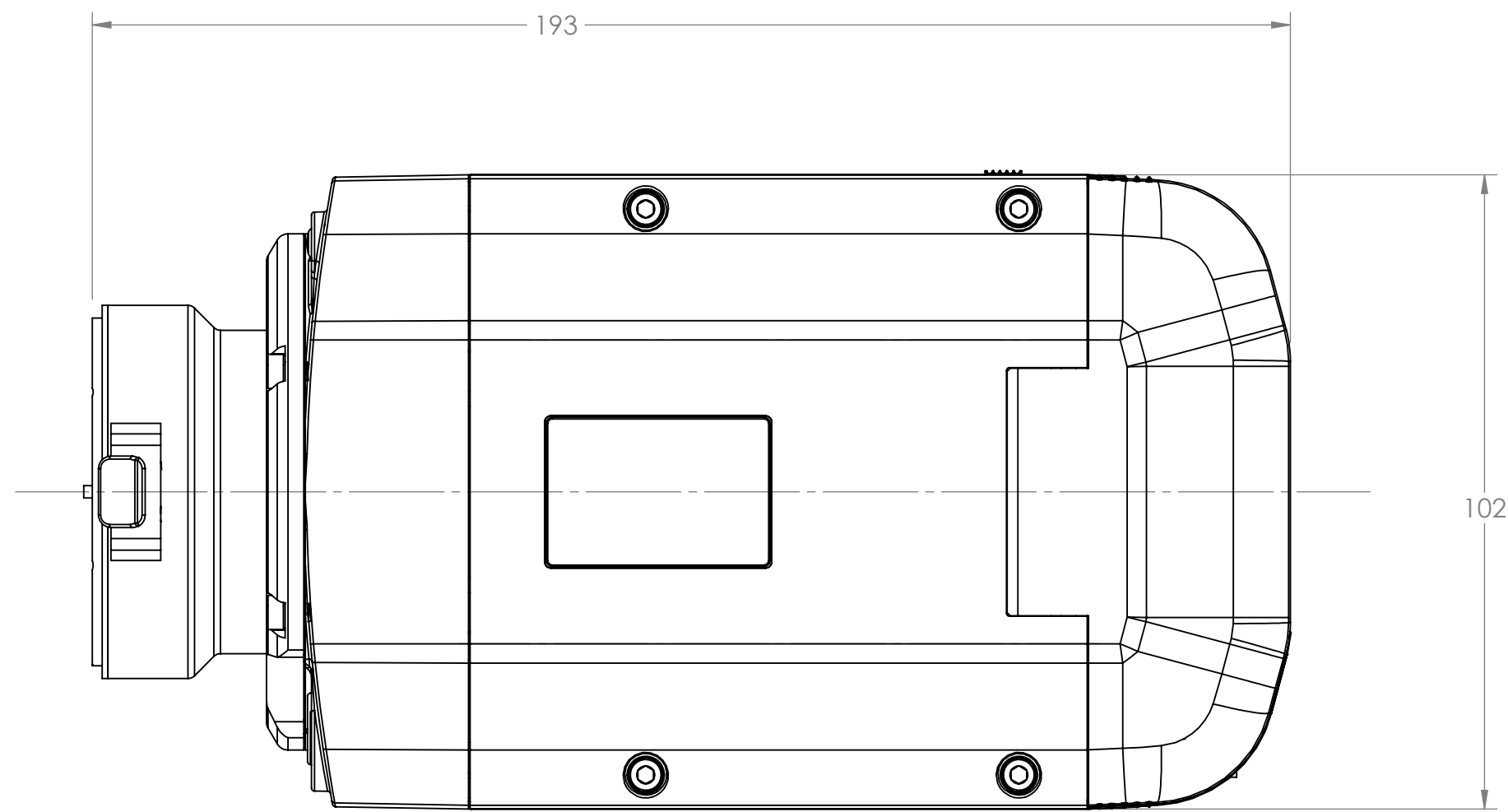


VISION RESEARCH
 100 Dey Road
 Wayne, New Jersey 07470 USA
 973-696-4500

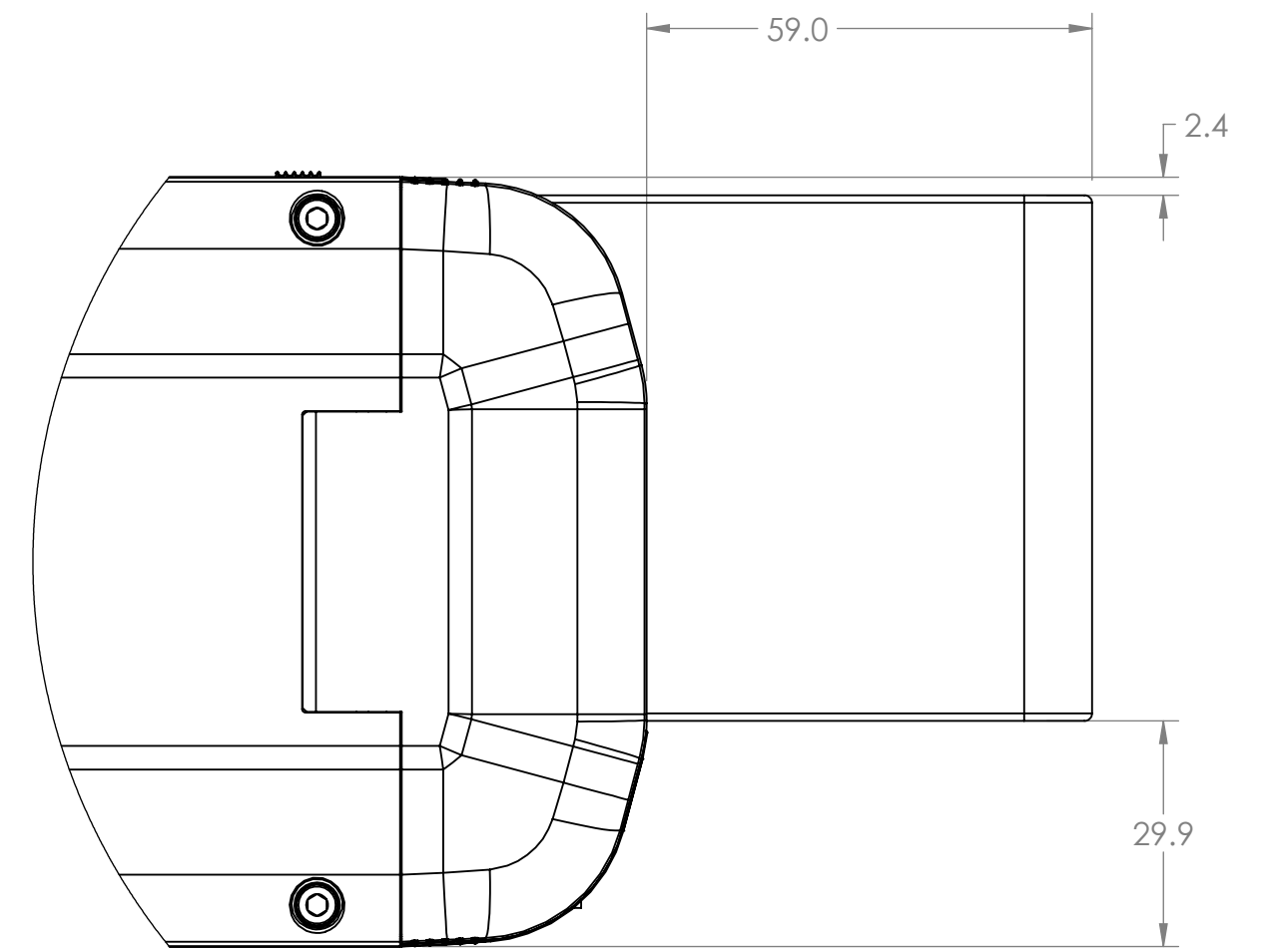
TITLE:
**CUSTOMER DRAWING,
 M110, M210 & M310**

SIZE	DWG. NO.	REV
C	ZDOC-64084-CD-0001	0

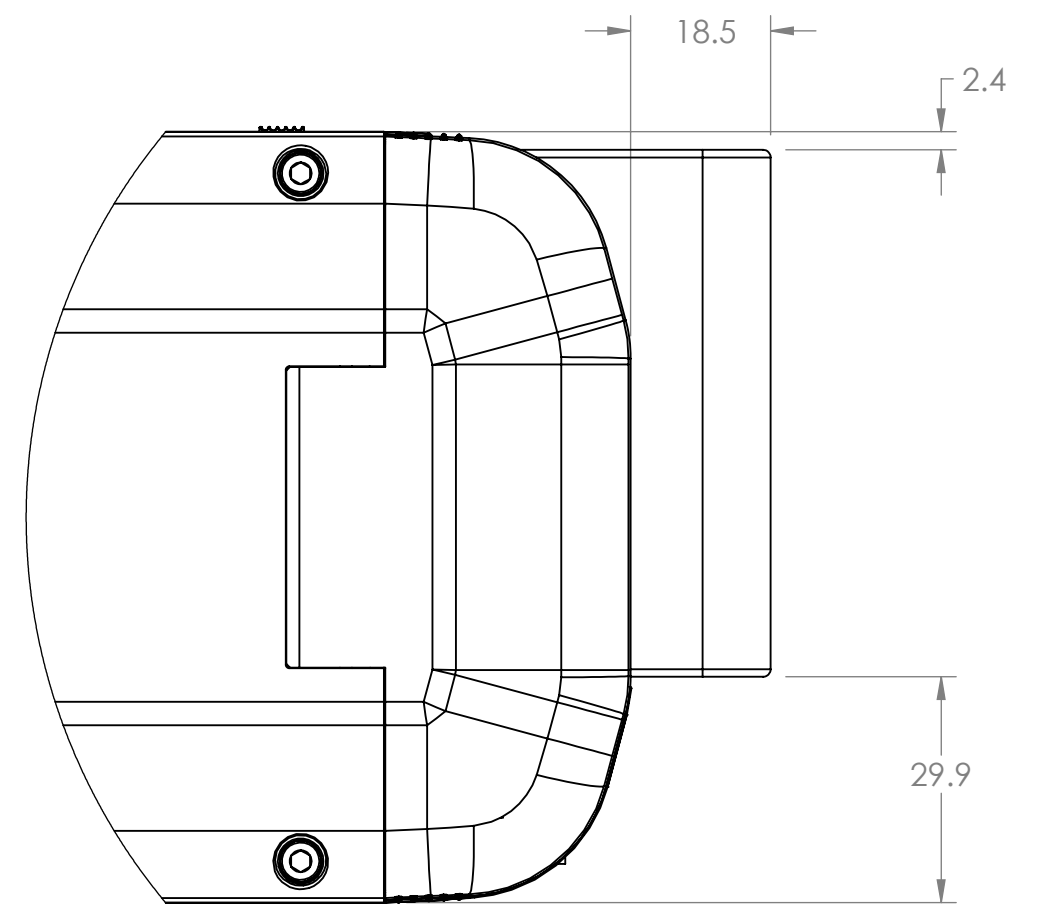
SCALE 1:1 SHEET 3 OF 4



LEFTSIDE VIEW WITHOUT BATTERY INSTALLED



LEFTSIDE VIEW WITH BPU-60 BATTERY INSTALLED



LEFTSIDE VIEW WITH BPU-30 BATTERY INSTALLED

PROPRIETARY AND CONFIDENTIAL
 THE INFORMATION CONTAINED IN THIS DRAWING IS THE SOLE PROPERTY OF VISION RESEARCH. ANY REPRODUCTION IN PART OR AS A WHOLE WITHOUT THE WRITTEN PERMISSION OF VISION RESEARCH IS PROHIBITED.

UNLESS OTHERWISE SPECIFIED:

DIMENSIONS ARE IN mm

TOLERANCES:
 ANGULAR: $\pm 0.5^\circ$
 ONE PLACE: ± 0.25
 TWO PLACE: ± 0.13

INTERPRET GEOMETRIC TOLERANCES PER ASME Y14.5-2009

MATERIAL

FINISH

DO NOT SCALE DRAWING

NAME	DATE
DRAWN WRD	11/9/11
CHECKED	
ENG APPR.	
MFG APPR.	



VISION RESEARCH

100 Dey Road
 Wayne, New Jersey 07470 USA
 973-696-4500

TITLE:
**CUSTOMER DRAWING,
 M110, M210 & M310**

SIZE	DWG. NO.	REV
C	ZDOC-64084-CD-0001	0

SCALE 1:1 SHEET 4 OF 4

NEXT ASSY	USED ON

APPLICATION